

YAMAHA

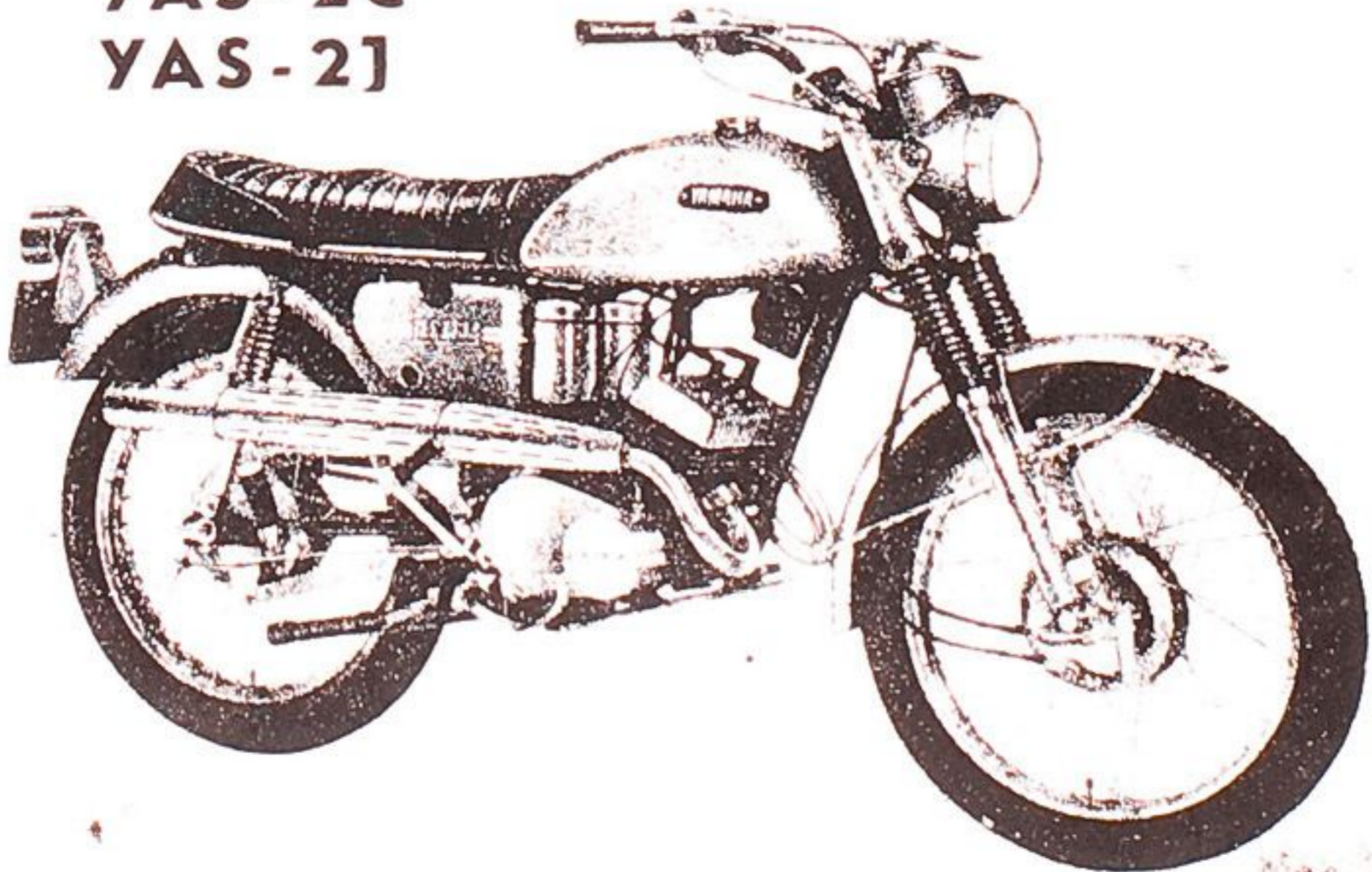
MC-RESERVDELAR

125 cc Twin
MODELLERNA

YAS-1

YAS-2C

YAS-2J



YAMAHA

MC-RESERVDELAR

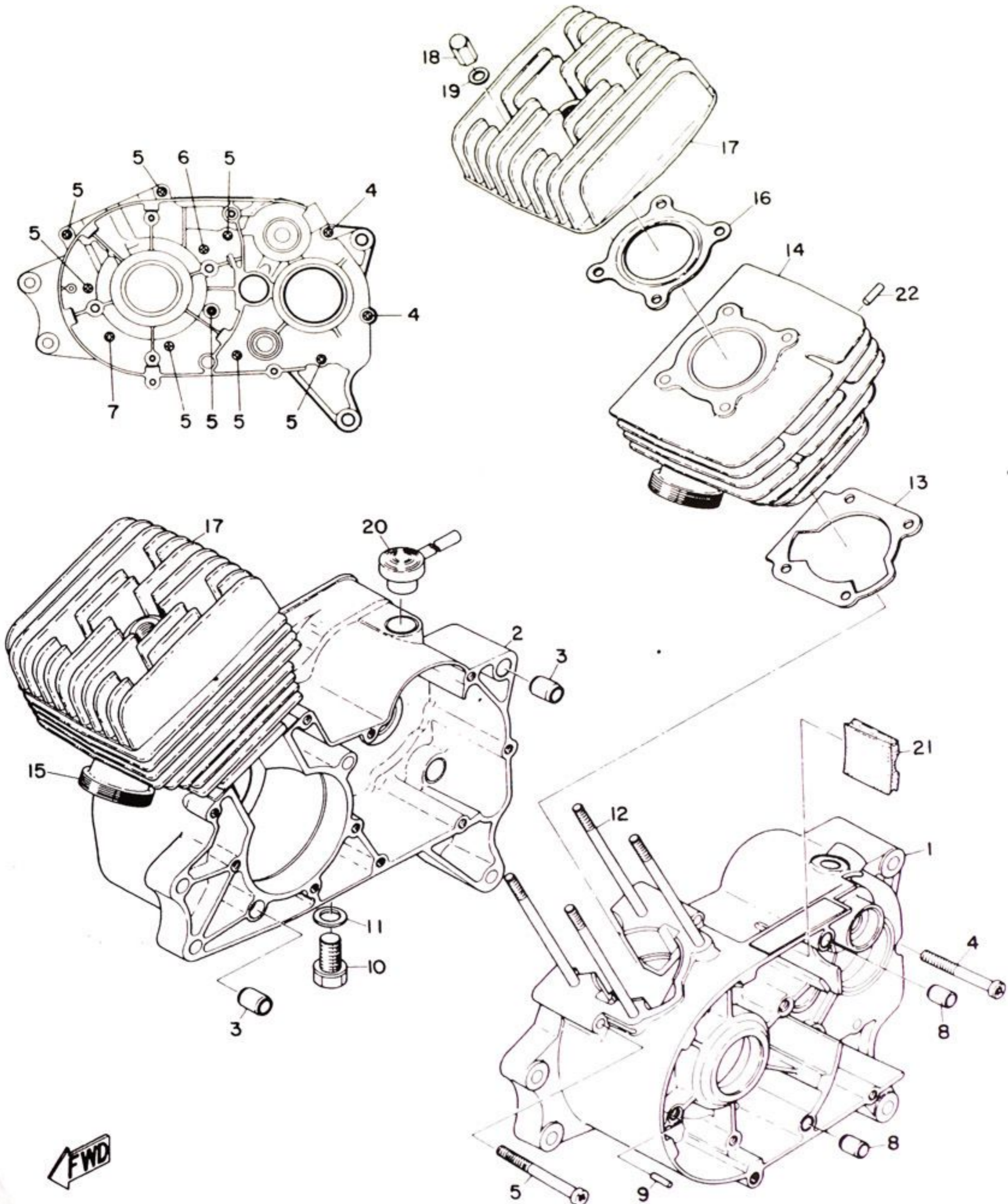
125 cc Twin
MODELLERNA

YAS-1

YAS-2C

YAS-2J

Fig. 1 CRANK CASE

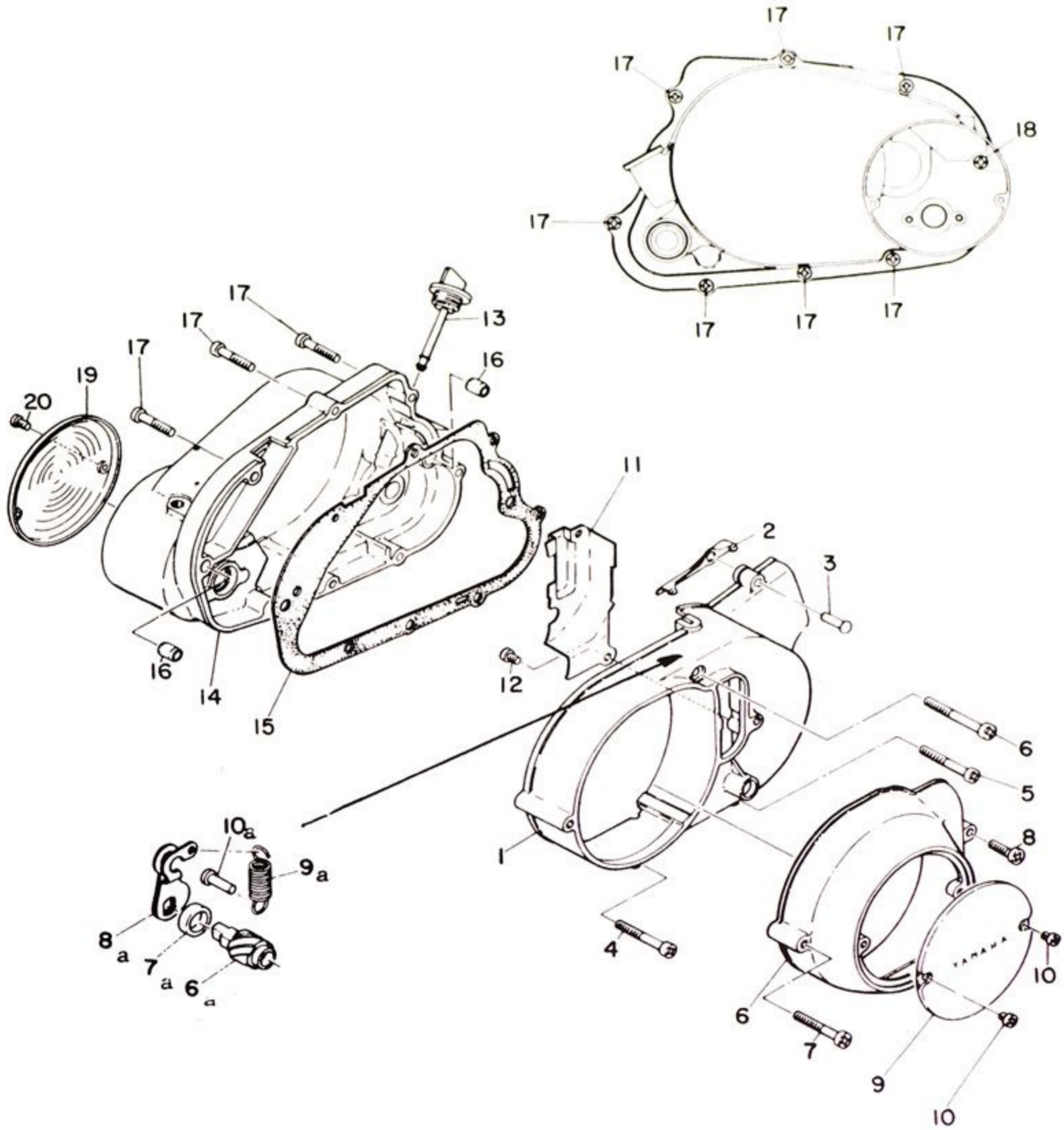


CRANK CASE

Dessa delar passar till modellerna AS-1, AS-2C och AS-2J

Ref No.	Parts No.	Parts Name	Description	Q'ty	S · R	Remarks
1- 1	183-15111-01	CASE, crank (L.H)		1		
1- 2	183-15121-00	CASE, crank (R.H)		1		
1- 3	91810-08016	PIN, dowel	9.8-12-16	2		
1- 4	92501-06055	SCREW, pan head		2		
1- 5	92501-06060	SCREW, pan head		8		
1- 6	92501-06070	SCREW, pan head		1		
1- 7	92501-06080	SCREW, pan head		1		
1- 8	91810-03014	PIN, dowel	8.4-10-14	2		
1- 9	93603-14026	PIN, dowel	3-14	1		
1-10	132-15351-00	PLUG, drain		1		
1-11	132-15353-00	GASKET, drain plug	12.5-19-1.5	1		
1-12	122-11361-00	BOLT, cylinder holding		8		
1-13	183-11351-00	GASKET, cylinder		2		
1-14	183-11311-01	CYLINDER (L.H)		1	•	
1-15	183-11321-01	CYLINDER (R.H)		1	•	
1-16	183-11181-00	GASKET, cylinder head		2		
1-17	183-11111-00	HEAD, cylinder		2		
1-18	126-11171-60	NUT, cylinder holding		8		
1-19	92901-06200	WASHER, plain		8		
1-20	132-15371-00	BREATHER		1		
1-21	183-15357-00	GROMMET		1		
1-22	93602-10061	PIN, dowel	2-9.8	2		

Fig. 2 CRANKCASE COVER

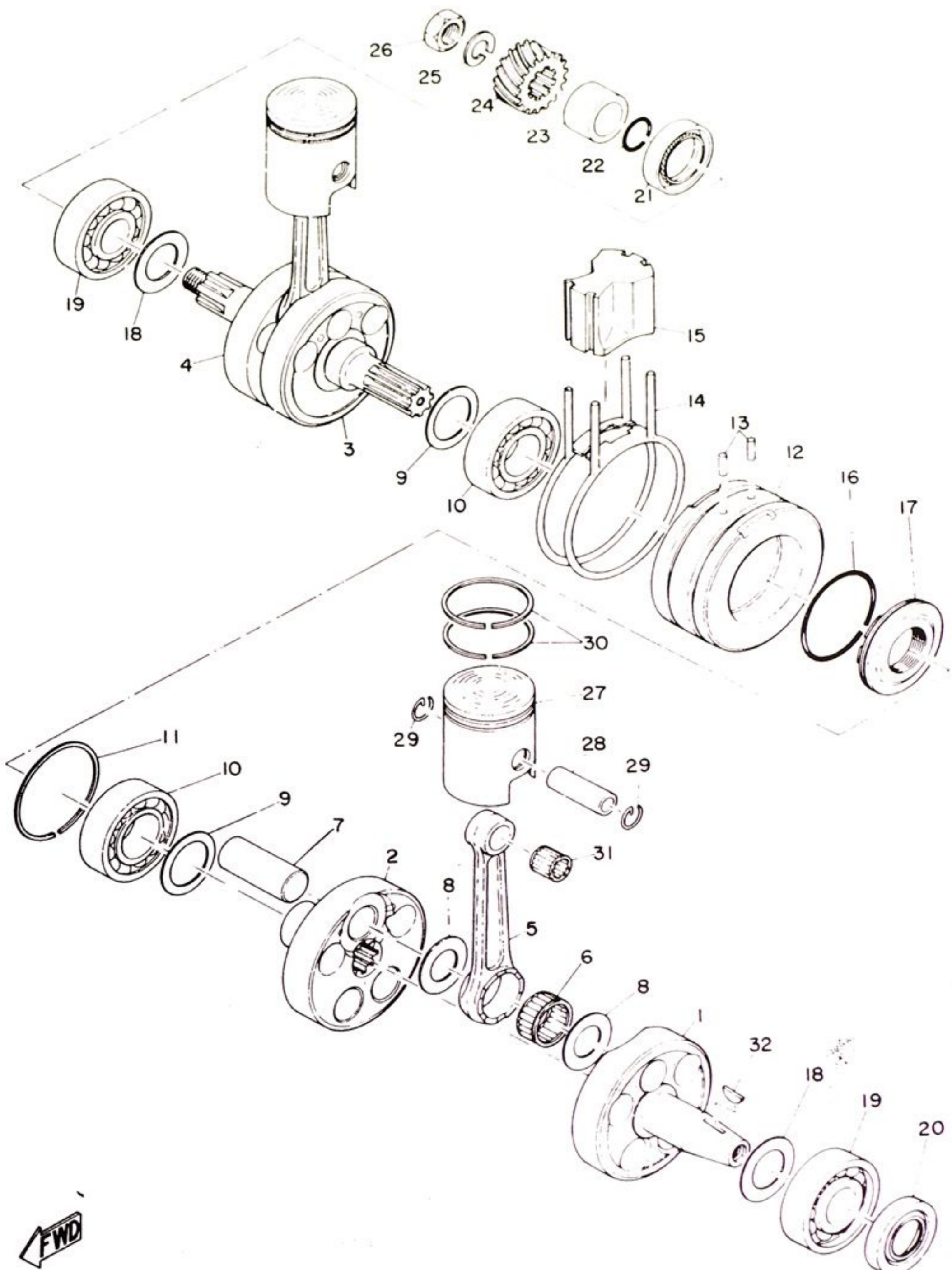


CRANKCASE COVER

Dessa delar passar till modellerna AS-1 och AS-2C årsmod 1969

Ref No.	Parts No.	Parts Name	Description	Q'ty	S·R	Remarks
2- 1	183-15410-00	CRANK CASE COVER ASS'Y		1		
2- 2	183-15418-01	. COVER, chain case (L.H)		1		
2- 3	183-15448-00	. RIVET		1		
2- 4	92501-06045	SCREW, pan head		2		
2- 5	92501-06055	SCREW, pan head		1		
2- 6	183-15425-01	COVER, generator (2)		1		
2- 7	92501-06040	SCREW, pan head		1		
2- 8	92501-06020	SCREW, pan head		1		
2- 9	164-15415-00	COVER, generator (1)		1		
2-10	98501-04005	SCREW, pan head		2		
2-11	174-18428-00	SEAL, dust		1		
2-12	92501-06008	SCREW, pan head		2		
2-13	174-15363-00	PLUG, oil		1		
2-14	183-15421-01	COVER, crank case (R.H)		1		
2-15	132-15451-00	GASKET, crank case cover (R.H)		1		
2-16	91810-03014	PIN, dowel	8.4-10-14	2		
2-17	92501-06030	SCREW, pan head		7		
2-18	92501-06040	SCREW, pan head		1		
2-19	132-15416-00	COVER, oil pump		1		
2-20	98501-04010	SCREW, pan head		2		
<p>Observera: följande ändringar gäller för modellerna AS-1, AS-2C årsmod 1970 AS-2J årsmod 1971</p>						
2-1	241-15410-00	CRANK CASE COVER ASSY		1		end f AS-2J
2-9	141-15415-00	COVER, generator		1		
2-14	252-15421-00	COVER, crank case (R.H)		1		
2-15	252-15451-00	GASKET, crank case cover		1		end f AS-2J
2-19	252-15416-00	COVER, oil pump		1		end f AS-2J
6a	241-16341-01	SCREW, push		1		
7a	93104-11028	OIL SEAL		1		
8a	241-16342-00	LEVER push		1		
9a	132-16345-00	SPRING lever return		1		
10a	132-16346-00	HOOK spring		1		

Fig. 3 CRANK SHAFT & PISTON



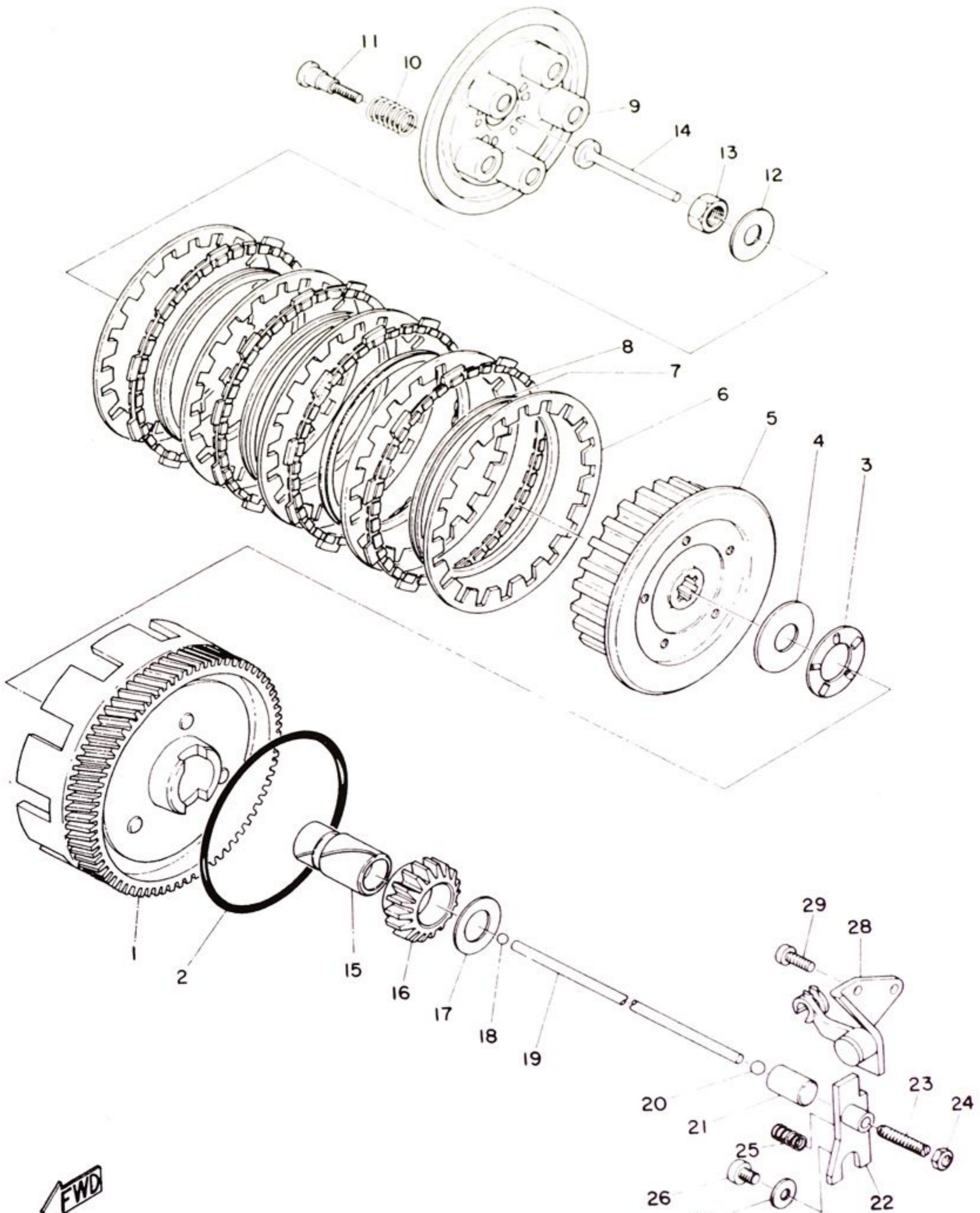
CRANK SHAFT & PISTON

Dessa delar passar till modellerna AS-1, AS-2C och AS-2J

Ref No.	Parts No.	Parts Name	Description	Q'ty	S·R	Remarks
3- 0-1	218-11400-00	CRANK ASS'Y		1		
3- 1	183-11412-02	. CRANK 1 (L.H)		1		
3- 2	132-11422-03	. CRANK 1 (R.H)		1		
3- 3	132-11432-03	. CRANK 2 (L.H)		1		
3- 4	183-11442-02	. CRANK 2 (R.H)		1		
3- 5	183-11651-00	. ROD, connecting		2		
3- 6	93310-41809	. BEARING	18-24-11.6	2		
3- 7	122-11681-00	. PIN, crank		2		
3- 8	132-11685-00	. WASHER, crank pin		4		
3- 9	132-11561-00	. SHIM, crank inside	25.5-35- 0.3	2		
3-10	93306-20504	. BEARING	6205C3	2		
3-11	93450-52010	. CIRCLIP	52φ	1		
3-12	132-11511-02	. COVER, crank		1		
3-13	93604-18058	. PIN, dowel		2		
3-14	183-11512-00	. SEAL, crank cover		2		
3-15	183-11541-00	. METAL, filler		1		
3-16	93210-48045	. O-RING	1.8-48	1		
3-17	132-11515-01	. SEAL, labyrinth		1		
3-18	136-11561-00	SHIM, crank outside	20.5-30- 0.3 0.8	2		
3-19	93306-30403	BEARING	6304C3	2		
3-20	93102-20010	OIL SEAL	SD-20-40- 8	1		
3-21	93103-28011	OIL SEAL	SW-28-40- 8	1		
3-22	93210-18023	O-RING	1.2-17.6	1		
3-23	183-16136-00	COLLAR, distance		1		
3-24	183-16111-00	GEAR, primary drive	19T	1		
3-25	92901-12100	WASHER, spring		1		
3-26	137-16377-00	NUT, clutch boss		1		
3-27	183-11631-02	PISTON		2		
	183-11631-12	PISTON (1st o. s)	0.25mm	2		
	183-11631-22	PISTON (2nd o. s)	0.5mm	2		
3-28	183-11633-00	PIN, piston		2		
3-29	132-11634-00	CLIP, piston pin		4		
3-30	183-11601-00	PISTON RING SET		2s		
	183-11601-10	PISTON RING SET (1st o. s)	0.25mm	2s		
	183-11601-20	PISTON RING SET (2nd o. s)		2s		
3-31	93310-11201	BEARING	12-15-14.3	2		
3-32	146-11545-00	KEY, woodruff		1		

40280 03017

Fig. 4 CLUTCH



File created by Yamaparts.com from original parts guide, for private use only.

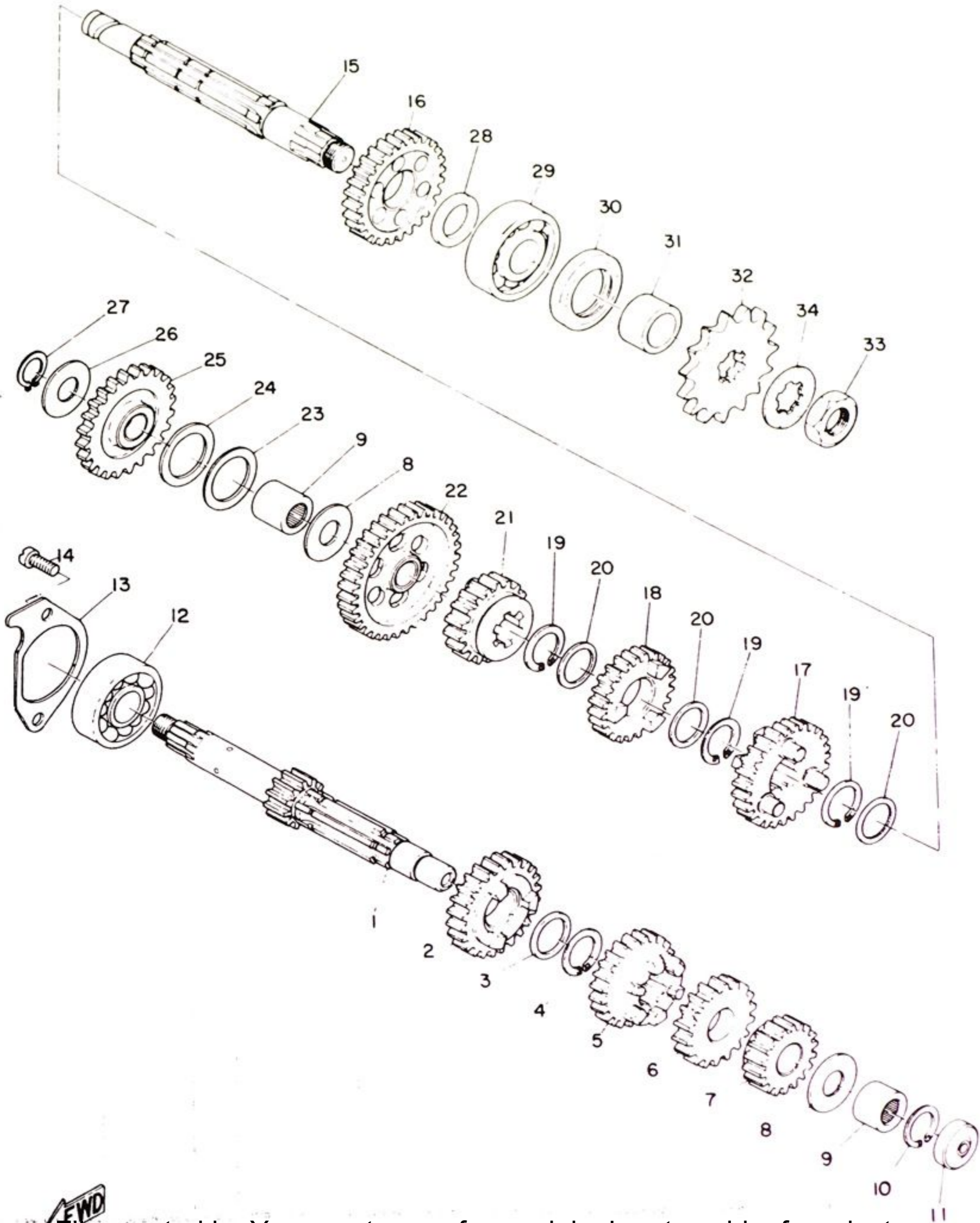
Copyright www.yamaparts.com

CLUTCH

Dessa delar passar till modellerna AS-1, AS-2C och AS-2J

Ref No.	Parts No.	Parts Name	Description	Q'ty	S·R	Remarks
4- 0-1	183-16301-01	CLUTCH ASS'Y		1		
4- 1	183-16150-00	. PRIMARY DRIVEN GEAR COMP.		1		
4- 2	132-16369-00	. RING, friction		1		
4- 3	93341-22302	. BEARING, thrust		1		
4- 4	131-16154-00	. PLATE, thrust	17.2-37- 2.0	1		
4- 5	132-16371-03	. BOSS, clutch		1		
4- 6	137-16324-00	. PLATE, clutch		5		
4- 7	137-16367-00	. RING, cushion		4		
4- 8	132-16321-00	. PLATE, friction		4		
4- 9	132-16351-00	. PLATE, pressure		1		
4-10	137-16333-00	. SPRING, clutch		5		
4-11	137-16337-01	. SCREW, spring		5		
4-12	137-16378-00	WASHER, clutch boss		1		
4-13	137-16377-00	NUT, clutch boss		1		
4-14	137-16356-00	ROD, push 1		1		
4-15	183-16181-00	SPACER	17-23-44.25	1		
4-16	132-15631-00	GEAR, kick pinion	19T	1		
4-17	122-16164-00	PLATE, thrust	17.2-30- 2.0	1		
4-18	93501-04004	BALL	1/4"	1		
4-19	183-16357-00	ROD, push 2	183.5ℓ	1		
4-20	93505-16006	BALL	5/16"	1		
4-21	174-16348-00	CROWN, push		1		
4-22	174-16362-00	LEVER, push		1		
4-23	164-16343-00	SCREW, adjusting		1		
4-24	92801-06300	NUT		1		
4-25	174-16365-00	SPRING, return		1		
4-26	92501-06008	SCREW, pan head		1		
4-27	174-16359-00	WASHER, push lever		1		
4-28	174-16340-00	PUSH LEVER ASS'Y		1		
4-29	92501-06015	SCREW, pan head		3		

Fig. 5 TRANSMISSION



File created by Yamaparts.com from original parts guide, for private use only.

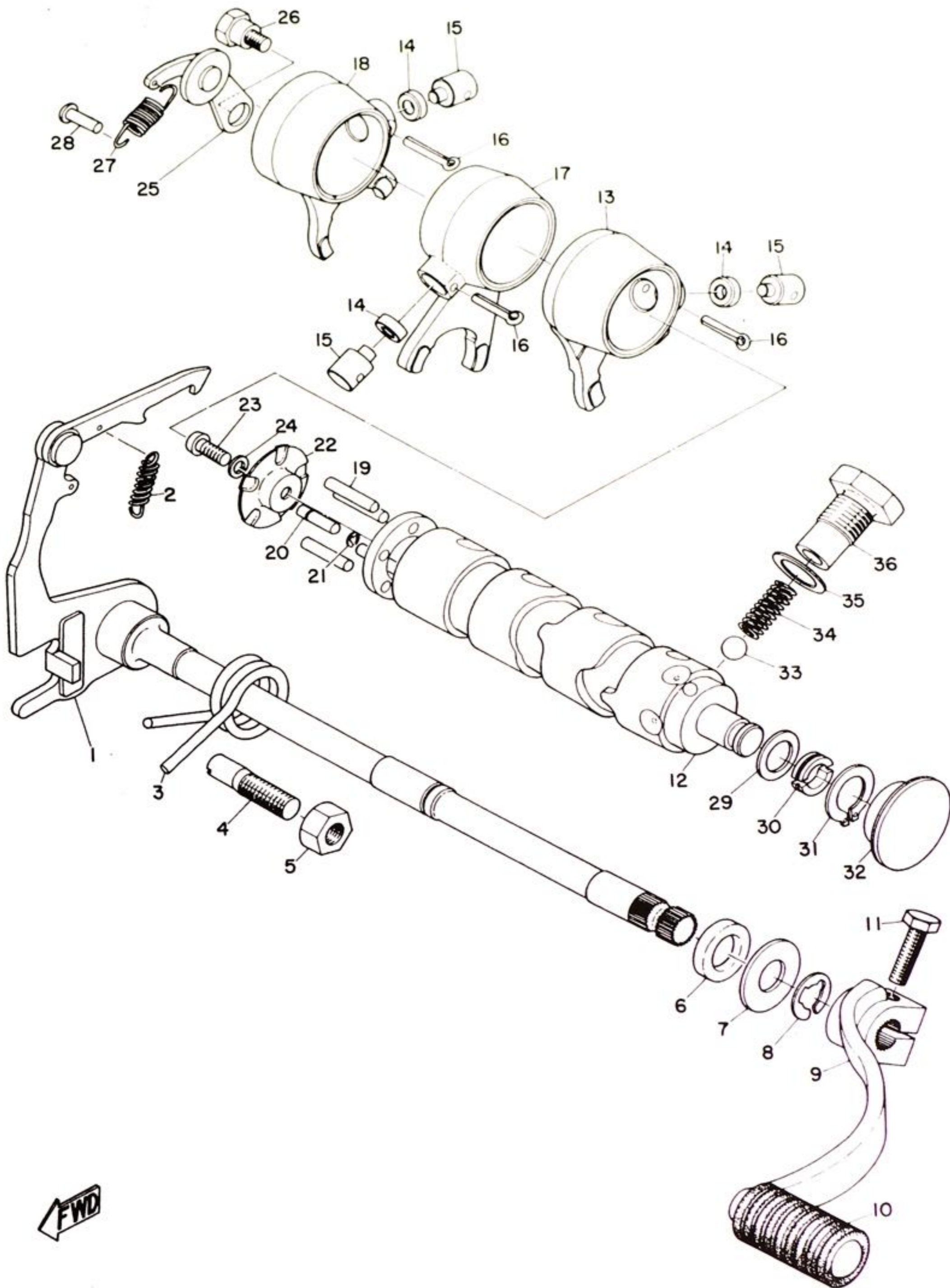
Copyright www.yamaparts.com

TRANSMISSION

Dessa delar passar till modellerna AS-1, AS-2C och AS-2J

Ref No.	Parts No.	Parts Name	Description	Q'ty	S-R	Remarks
5- 0-1	183-17401-00	MAIN AXLE ASS'Y		1		
5- 1	183-17411-00	. AXLE, main	11T	1		
5- 2	183-17151-00	. GEAR, 5th pinion	25T	1		
5- 3	132-17216-00	. WASHER, gear hold	20-25-1.0	1		
5- 4	132-17414-00	. CLIP, main axle		1		
5- 5	183-17141-00	. GEAR, 4th pinion	22T	1		
5- 6	183-17131-00	. GEAR, 3rd pinion	20T	1		
5- 7	183-17121-01	. GEAR, 2nd pinion	16T	1		
5- 8	164-17427-00	SHIM, drive axle	15.2-30-0.5 .0.8.1.0	2		
5- 9	93315-31501	BEARING		2		
5-10	93450-22012	CIRCLIP		1		
5-11	132-15389-00	SEAL, push rod		1		
5-12	93306-30301	BEARING	6303	1		
5-13	164-17471-02	PLATE, bearing cover		1		
5-14	92501-06015	SCREW, pan head		2		
5- 0-2	183-17402-00	DRIVE AXLE ASS'Y		1		
5-15	183-17421-00	. AXLE, drive		1		
5-16	183-17221-01	. GEAR, 2nd wheel	29T	1		
5-17	183-17231-00	. GEAR, 3rd wheel	26T	1		
5-18	183-17241-00	. GEAR, 4th wheel	23T	1		
5-19	132-17414-00	. CLIP, main axle		3		
5-20	132-17216-00	. WASHER, gear hold		3		
5-21	183-17251-00	. GEAR, 5th wheel	21T	1		
5-22	183-17211-00	. GEAR, 1st wheel	35T	1		
5-23	131-15653-00	WASHER, plain	15.3-22-1.0	1		
5-24	131-15643-00	WASHER, wave		1		
5-25	183-15651-00	GEAR, kick idle	28T	1		
5-26	164-17427-00	SHIM, drive axle	15.2-30-1.0	1		
5-27	93410-15005	CIRCLIP	S15	1		
5-28	183-17429-00	SPACER	20-30-3	1		
5-29	93306-30401	BEARING	6304	1		
5-30	93102-28021	OIL SEAL	SD-28-44 ₇	1		
5-31	174-17462-00	COLLAR, distance	20-28-14.4	1		
5-32	174-17461-40	SPROCKET, drive	14T	1		
	174-17461-50	SPROCKET, drive	15T	1		
	174-17461-60	SPROCKET, drive	16T	1		
5-33	102-17463-00	NUT, sprocket		1		
5-34	102-17464-00	WASHER, sprocket		1		

Fig. 6 SHIFTER



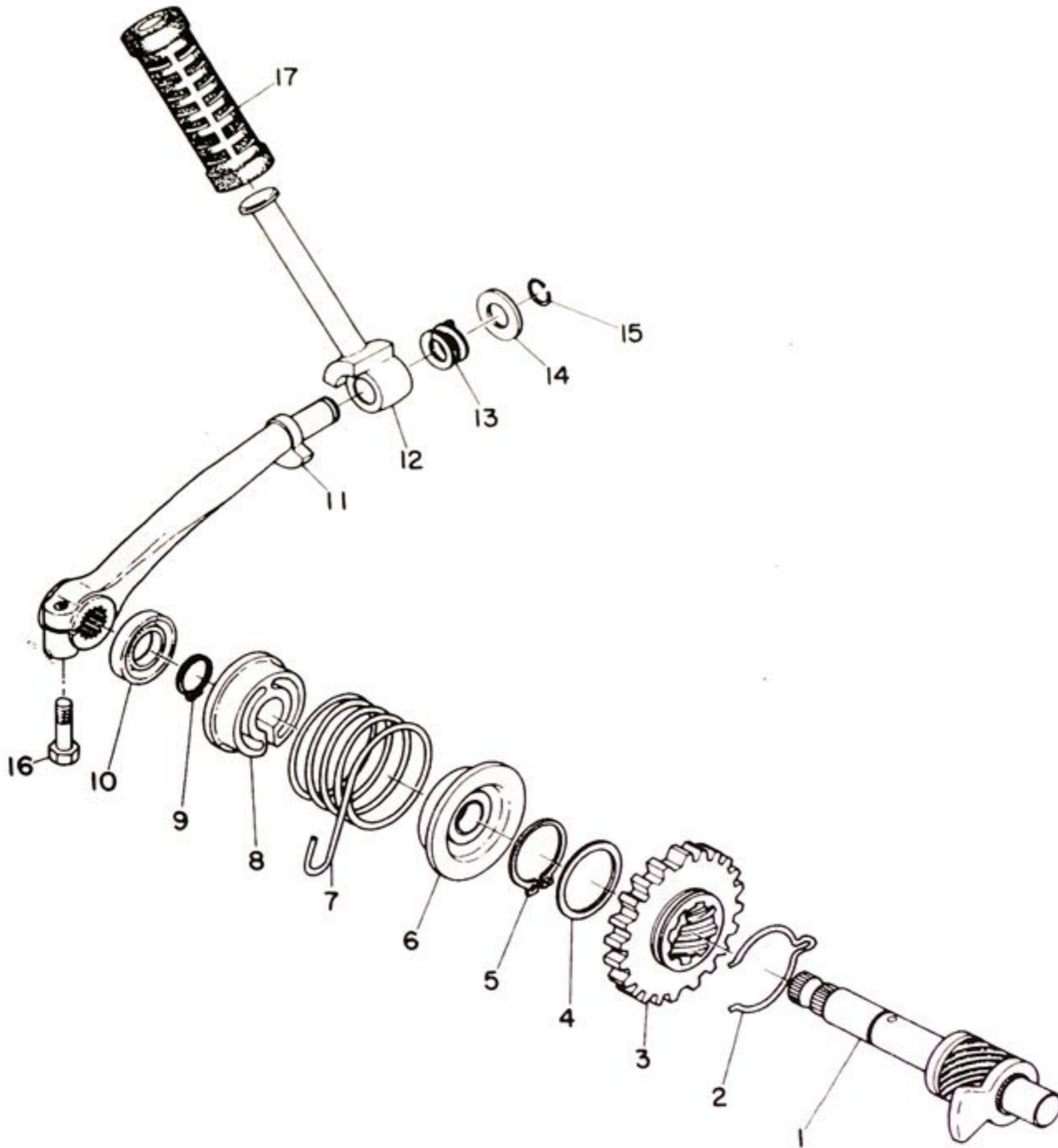
← FWD

SHIFTER

Dessa delar passar till modellerna AS-1, AS-2C och AS-2J

Ref No.	Parts No.	Parts Name	Description	Qty		S	R	Remarks
				YAS1	YAS1C			
6- 1	183-18101-00	CHANGE SHAFT ASS'Y		1	1			
6- 2	132-18123-00	SPRING, shift arm		1	1			
6- 3	132-18124-00	SPRING, shaft return		1	1			
6- 4	132-18133-00	SCREW, adjusting		1	1			
6- 5	92801-08100	NUT		1	1			
6- 6	93101-12004	OIL SEAL	S-12-22-5	1	1			
6- 7	132-18137-00	WASHER, change axle	12.1-26-1.6	1	1			
6- 8	93430-10016	CIRCLIP	E10	1	1			
6- 9	183-18111-01	PEDAL, change		1	1			
6-10	132-18113-01	COVER, change pedal		1	1			
6-11	91201-06020	BOLT		1	1			
6- 0-1	183-18500-00	SHIFTER ASS'Y		1	1			
6-12	183-18541-00	. CAM, shift		1	1			
6-13	183-18511-00	. FORK, shift 1		1	1			
6-14	164-18551-00	. ROLLER, cam follower		3	3			
6-15	164-18552-00	. PIN, cam follower		3	3			
6-16	91401-25018	. PIN, cotter		3	3			
6-17	183-18512-00	. FORK, shift 2		1	1			
6-18	183-18513-00	. FORK, shift 3		1	1			
6-19	93604-22050	. PIN, dowel	4-21.8	4	4			
6-20	174-18544-00	. PIN, locating		1	1			
6-21	93430-03014	. CIRCLIP	E2.5	1	1			
6-22	164-18561-00	. PLATE, side		1	1			
6-23	92501-05012	. SCREW, pan head		1	1			
6-24	92901-05100	. WASHER, spring		1	1			
6-25	132-18140-00	STOPPER LEVER ASS'Y		1	1			
6-26	132-18177-00	BOLT, stopper		1	1			
6-27	132-18143-00	SPRING, stopper		1	1			
6-28	132-16346-00	HOOK, spring		1	1			
6-29	164-18572-00	WASHER, plain	12.1-18-1.0	1	1			
6-30	164-18571-00	HOLDER, shift cam		2	2			
6-31	93440-15012	CIRCLIP	15φ	1	1			
6-32	132-18533-01	PLUG, brind		1	1			
6-33	93505-16006	BALL	5/16"	1	1			☆
6-34	174-18558-00	SPRING, neutral		1	1			
6-35	137-15353-00	GASKET	14.5-21-1.5	1	1			
6-36	174-18578-00	SCREW, spring		1	1			
6-9	241-18111-00	PEDAL, change				(AS-1/AS-2C -70
						(AS-2J 1971

Fig. 7 KICK

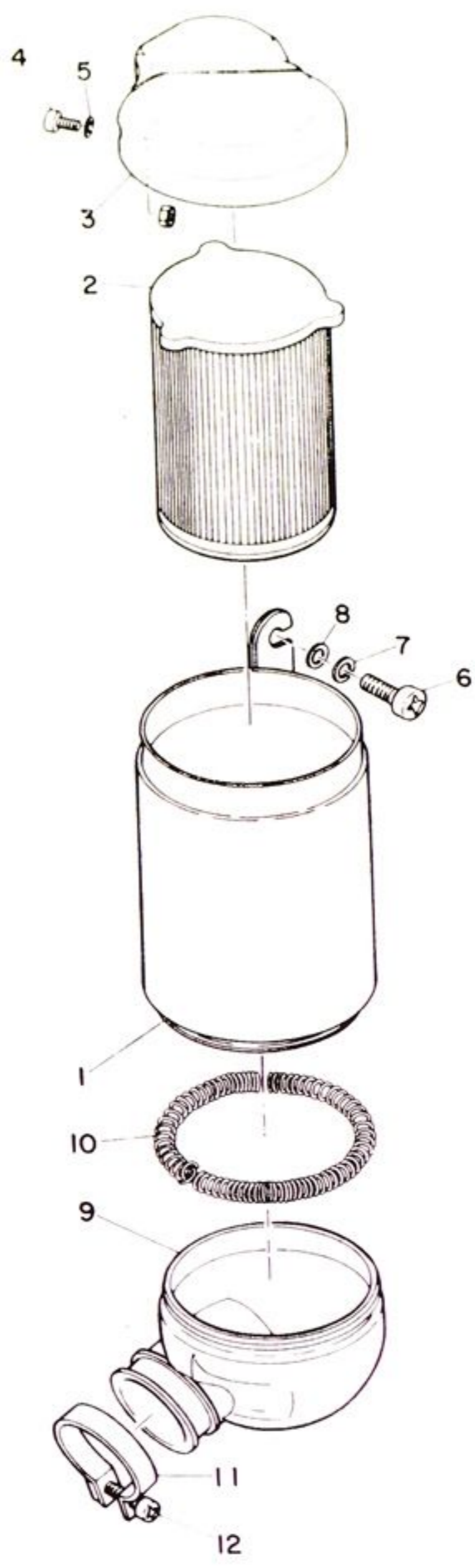
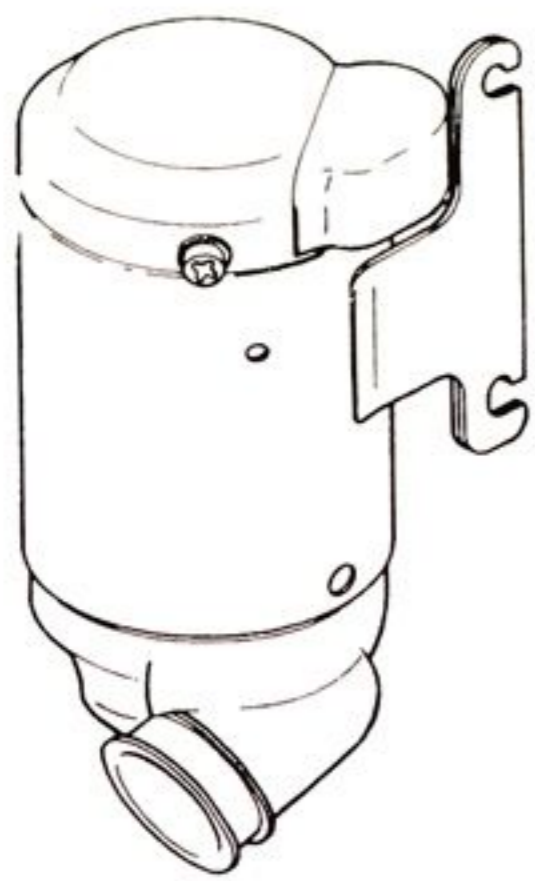


KICK

Dessa delar passar till modellerna AS-1, AS-2C och AS-2J

Ref No.	Parts No.	Parts Name	Description	Qty			S R	Remarks
				YAS1	YAS1C	AS2C		
7- 1	180-15660-00	KICK AXLE ASS'Y		1	1			
7- 2	180-15687-00	CLIP, kick roller		1	1			
7- 3	180-15641-00	GEAR, kick	28T	1	1			
7- 4	117-15644-00	SHIM	25.1-32-1.9	1	1			
7- 5	93410-25017	CIRCLIP	S25	1	1			
7- 6	132-15664-00	GUIDE, kick spring		1	1			
7- 7	132-15665-00	SPRING, kick		1	1			
7- 8	132-15676-00	COVER, kick spring		1	1			
7- 9	93410-15005	CIRCLIP	S15	1	1			
7-10	93109-15001	OIL SEAL	SDO-15-26-6	1	1			
7- 0-1	132-15610-01	KICK CRANK ASS'Y		1				
	178-15610-00	KICK CRANK ASS'Y			1			
7-11	132-15611-01	. CRANK, kick		1				
	178-15611-00	. CRANK, kick			1			
7-12	122-15612-01	. LEVER, kick		1	1			
7-13	132-15625-00	. SPRING, kick crank l		1	1			
7-14	132-15615-00	. WASHER, kick lever		1	1			
7-15	132-15617-00	. CLIP, kick lever		1	1			
7-16	91201-06020	BOLT		1	1			
7-17	156-15618-01	COVER, kick lever		1	1			
		Observera modell AS-2C har nedanstående kick						
7-0-1	178-15610-00	KICK CRANK ASSY				1		

Fig. 8 AIR CLEANER

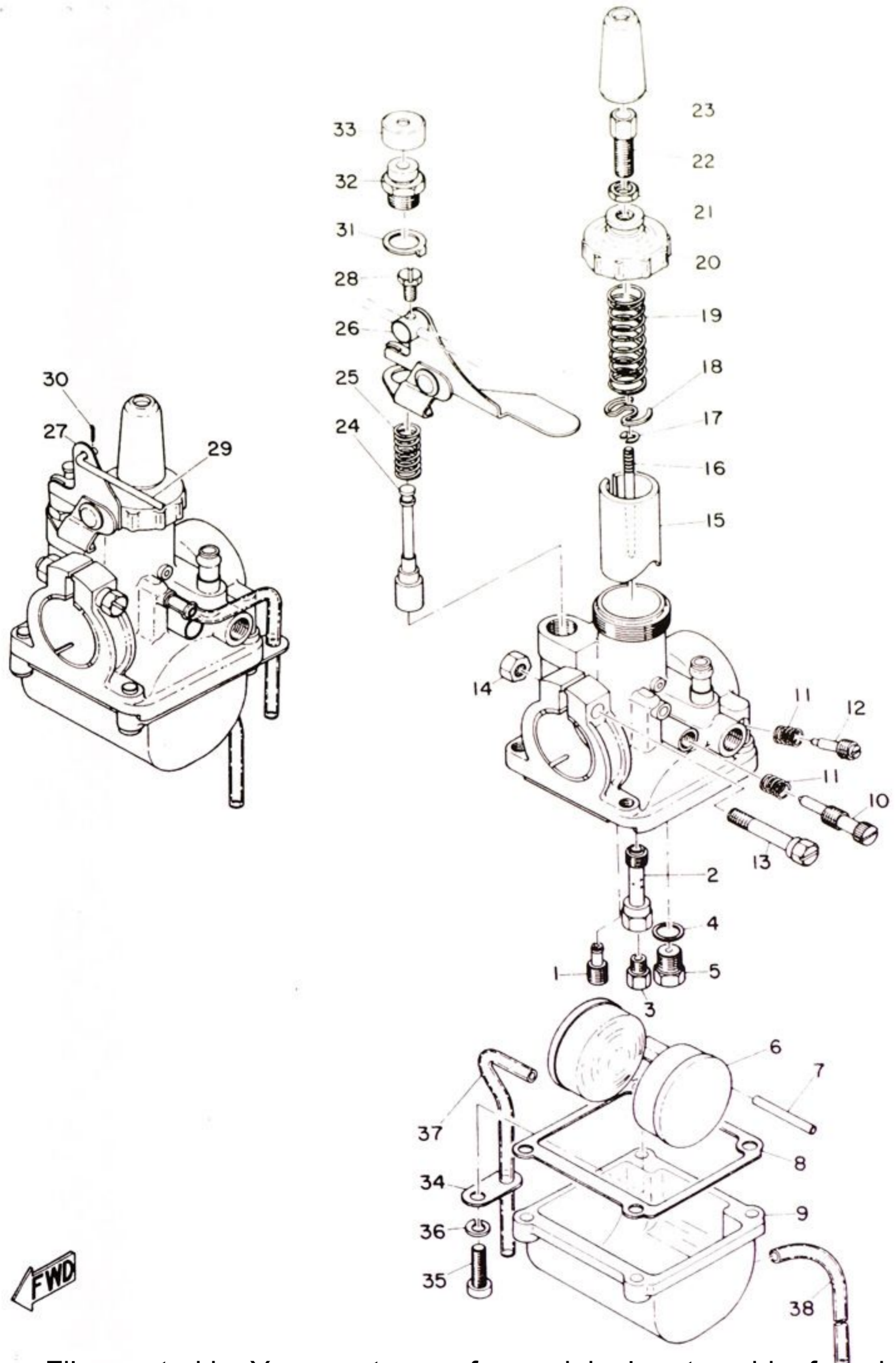


AIR CLEANER

Dessa delar passar till modellerna AS-1, AS-2C och AS-2J

Ref No.	Parts No.	Parts Name	Description	Qty		S	R	Remarks
				YAS1	YAS1C			
8- 1	183-14411-00	CASE, air cleaner (L.H)		1	1			
	183-14421-00	CASE, air cleaner (R.H)		1	1			
8- 2	183-14451-00	ELEMENT, air cleaner		2	2			
8- 3	183-14412-00	CAP, case (L.H)		1	1			
	183-14422-00	CAP, case (R.H)		1	1			
8- 4	92501-05008	SCREW, pan head		2	2			
8- 5	92901-05200	WASHER, plain		2	2			
8- 6	92501-06015	SCREW, pan head		4	4			
8- 7	92901-06100	WASHER, spring		4	4			
8- 8	92901-06200	WASHER, plain		4	4			
8- 9	183-14453-00	JOINT, cleaner (L.H)		1	1			
	183-14463-00	JOINT CLEANER		1	1			
8-10	183-14456-00	BAND, cleaner joint		2	2			
8-11	102-14456-00	BAND 2		2	2			
8-12	92501-05020	. SCREW, pan head		2	2			

Fig. 9 CARBURETOR



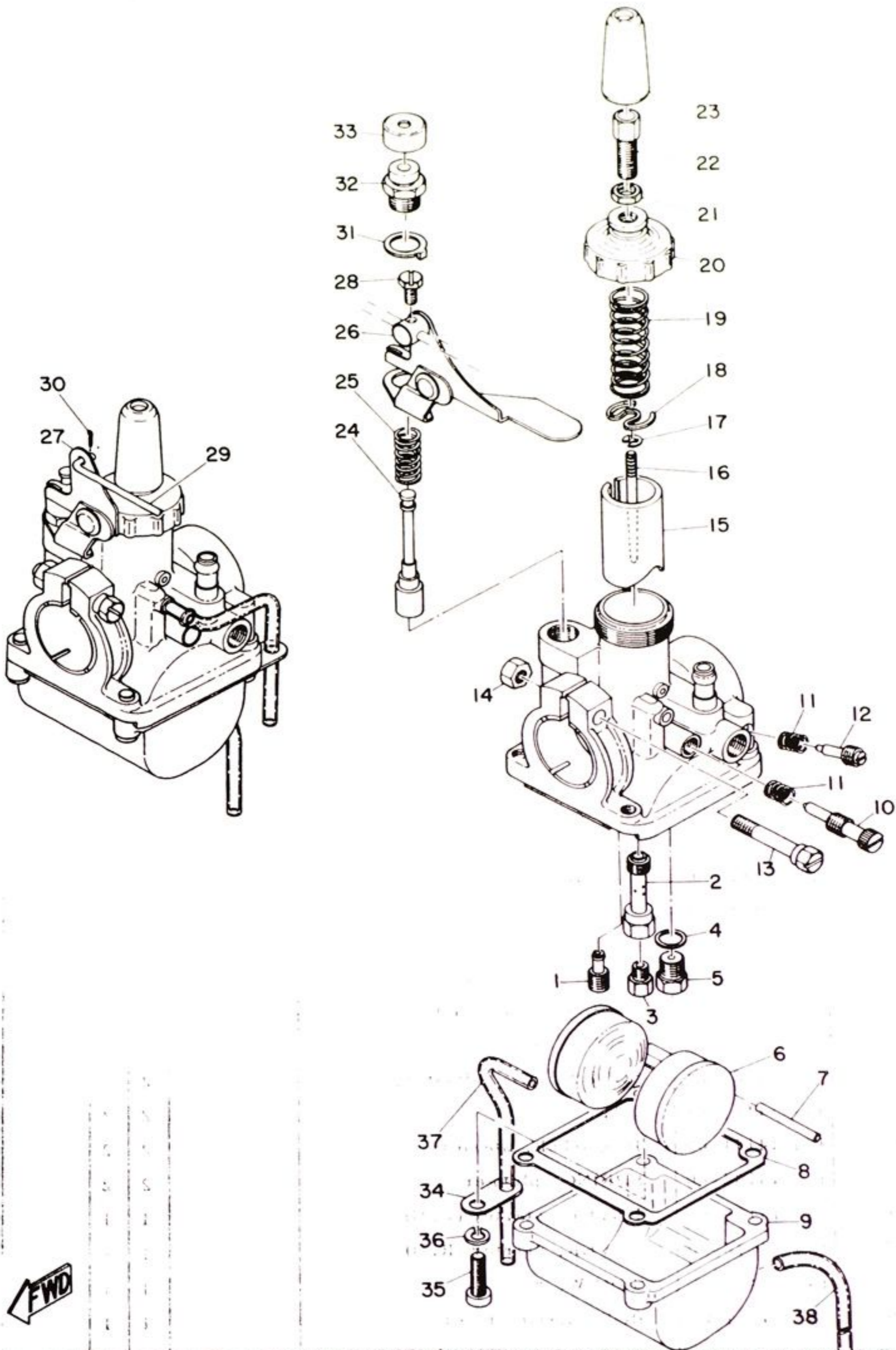
FWD

CARBURETOR

Dessa delar passar till modellerna AS-1, AS-2C och AS-2J

Ref No.	Parts No.	Parts Name	Description	Qty		S-R	Remarks
				YAS1	YASIC		
9- 0-1	183-14101-60	CARBURETOR ASS'Y (L. H)		1			
	218-14101-60	CARBURETOR ASS'Y (L. H)			1		
9- 0-2	183-14102-60	CARBURETOR ASS'Y (R. H)		1			
	218-14102-60	CARBURETOR ASS'Y (R. H)			1		
9- 1	127-14142-17	. JET, pilot	#17.5	2	2		
9- 2	164-14141-30	. NOZZLE, main	0-0	2	2		
9- 3	137-14143-16	. JET, main	#80	2	2		
	137-14143-17	. JET, main	#85	2	2		
	137-14143-18	. JET, main	#90	2	2		
	137-14143-20	. JET, main	#100	2	2		
	137-14143-22	. JET, main	#110	2	2		
9- 4	127-14195-00	. WASHER, valve		2	2		
9- 5	127-14190-15	. VALVE SEAT ASS'Y	#1.5	2	2		
9- 6	164-14185-00	. FLOAT		2	2		
9- 7	137-14186-00	. PIN, float		2	2		
9- 8	164-14184-00	. GASKET, float chamber		2	2		
9- 9	174-14181-01	. BODY, float chamber		2	2		
9-10	174-14122-00	. SCREW, throttle		2	2		
9-11	174-14134-00	. SPRING, air adjusting		4	4		
9-12	174-14123-00	. SCREW, air adjusting		2	2		
9-13	127-14125-00	. SCREW, body fitting		2	2		
9-14	127-14164-00	. NUT, holding		2	2		
9-15	183-14112-20	. VALVE, throttle (L. H)	#2.0	1	1		
	183-14113-20	. VALVE, throttle (R. H)	#2.0	1	1		
9-16	156-14116-09	. NEEDLE	4D9-4	2	2		
9-17	164-14137-00	. CLIP		2	2		
9-18	174-14136-00	. SEAT, spring		2	2		
9-19	174-14131-01	. SPRING, throttle valve		2	2		
9-20	174-14158-01	. TOP, mixing chamber		2	2		
9-21	127-14161-00	. NUT, wire adjusting		2	2		
9-22	127-14124-23	. SCREW, wire adjusting		2	2		
9-23	174-14169-01	. CAP		2	2		
9-24	174-14171-00	. PLUNGER, starter		2	2		
9-25	132-14135-00	. SPRING, plunger		2	2		
9-26	183-14175-00	. LEVER, starter (L. H)		1	1		
9-27	183-14176-00	. LEVER, starter (R. H)		1	1		
9-28	132-14486-00	. SCREW, rod		1	1		
9-29	132-14177-00	. ROD, starter lever		1	1		

Fig. 9 CARBURETOR

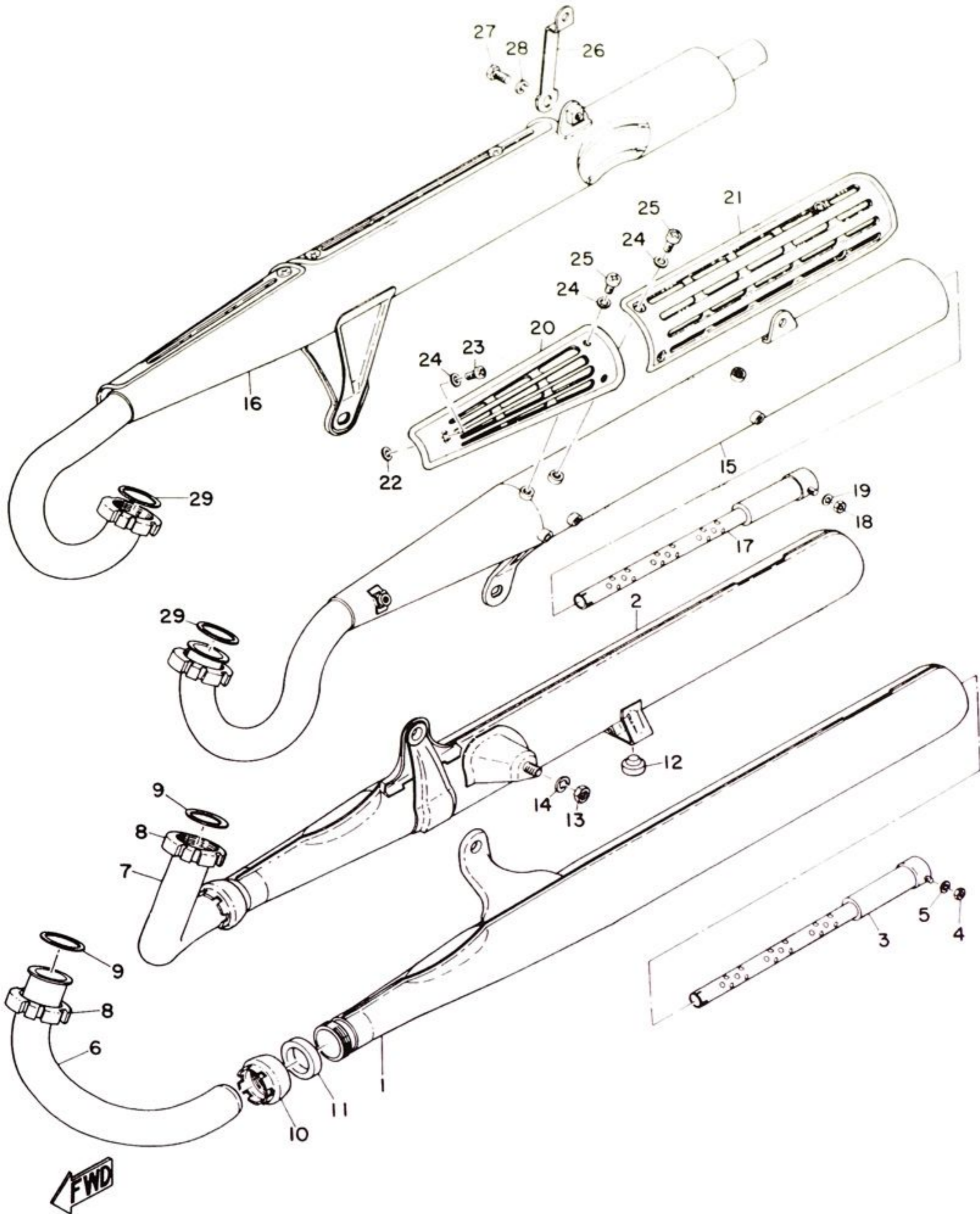


CARBURETOR

Dessa delar passar till modellerna AS-1, AS-2C och AS-2J

Ref No.	Parts No.	Parts Name	Description	Qty		S-R	Remarks
				YAS1	YAS1C		
9-30	91401-12006	. PIN, cotter		1	1		
9-31	174-14178-00	. PLATE, starter lever		2	2		
9-32	132-14174-00	. CAP, plunger		2	2		
9-33	132-14173-00	. COVER, plunger cap		2	2		
9-34	132-14146-00	. PLATE		2	2		
9-35	92501-04015	. SCREW, pan head		8	8		
9-36	92901-04100	. WASHER, spring		8	8		
9-37	183-14197-01	. PIPE, air vent	L=220	2	2		
9-38	183-14196-00	. PIPE, overflow	L=160	2	2		

Fig. 10 MUFFLER

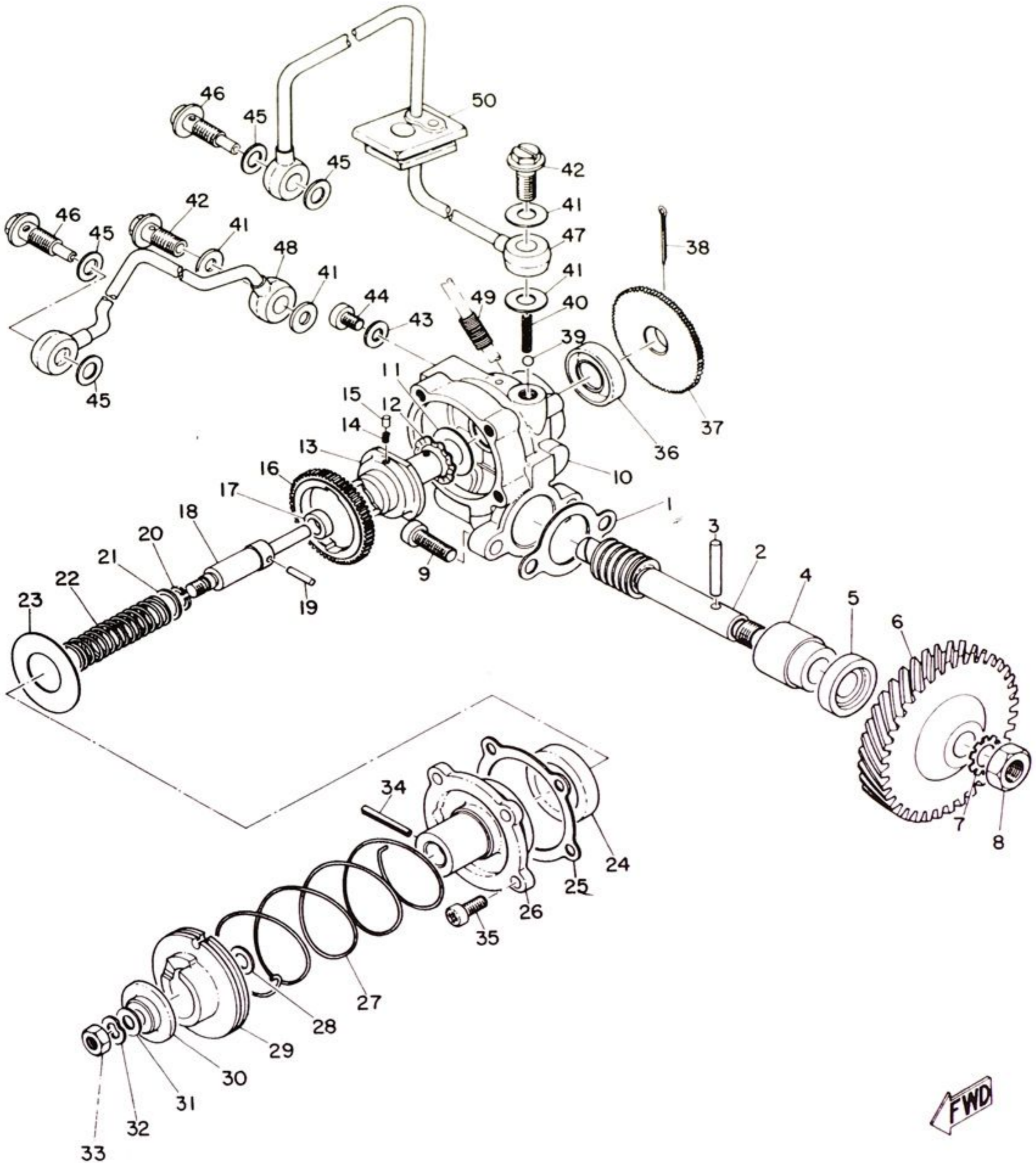


MUFFLER

Dessa delar passar till modellerna AS-1, AS-2C och AS-2J

Ref No.	Parts No.	Parts Name	Description	Qty		S	R	Remarks
				YAS1	YAS1C			
10- 1	217-14710-00	MUFFLER ASS'Y (L.H)		1				
10- 2	217-14720-00	MUFFLER ASS'Y (R.H)		1				
10- 3	201-14753-00	. SILENCER		2				
10- 4	92801-05100	. NUT		2				
10- 5	92901-05100	. WASHER, spring		2				
10- 6	183-14611-00	PIPE, exhaust (L.H)		1				
10- 7	183-14621-00	PIPE, exhaust (R.H)		1				
10- 8	122-14612-00	NUT, ring		2				
10- 9	132-14613-00	GASKET, exhaust pipe		2				
10-10	132-14713-00	NUT, muffler joint		2				
10-11	132-14714-00	GASKET, muffler joint		2				
10-12	102-27114-00	STOPPER, main stand		1				
10-13	92801-08100	NUT		2				
10-14	92901-08100	WASHER, spring		2				
10-15	218-14610-10	EXHAUST PIPE ASS'Y (L.H)			1			
10-16	218-14620-10	EXHAUST PIPE ASS'Y (R.H)			1			
10-17		. SILENCER			2			+++/
10-18	92801-05100	. NUT			2			
10-19	92901-05100	. WASHER, spring			2			
10-20	183-14718-30	PROTECTOR, muffler 1			2			
10-21	183-14728-30	PROTECTOR, muffler 2			2			
10-22	218-14766-10	WASHER, protector			2			
10-23	91903-06008	SCREW			12			
10-24	178-14766-00	WASHER, protector			14			
10-25	91903-06010	SCREW			2			
10-26	183-14771-30	STAY, muffler			2			
10-27	91203-08015	BOLT			2			
10-28	92901-08100	WASHER, spring			2			
10-29	132-14613-00	GASKET, exhaust pipe			2			
		+++/ modell AS-2C har delad ljuddämpareinsats och beställningsnummerna är:						
inre	218-14753-30	Silencer, inner			2			
yttre	222-14752-30	Silencer, outer			2			

Fig. 11 OIL PUMP

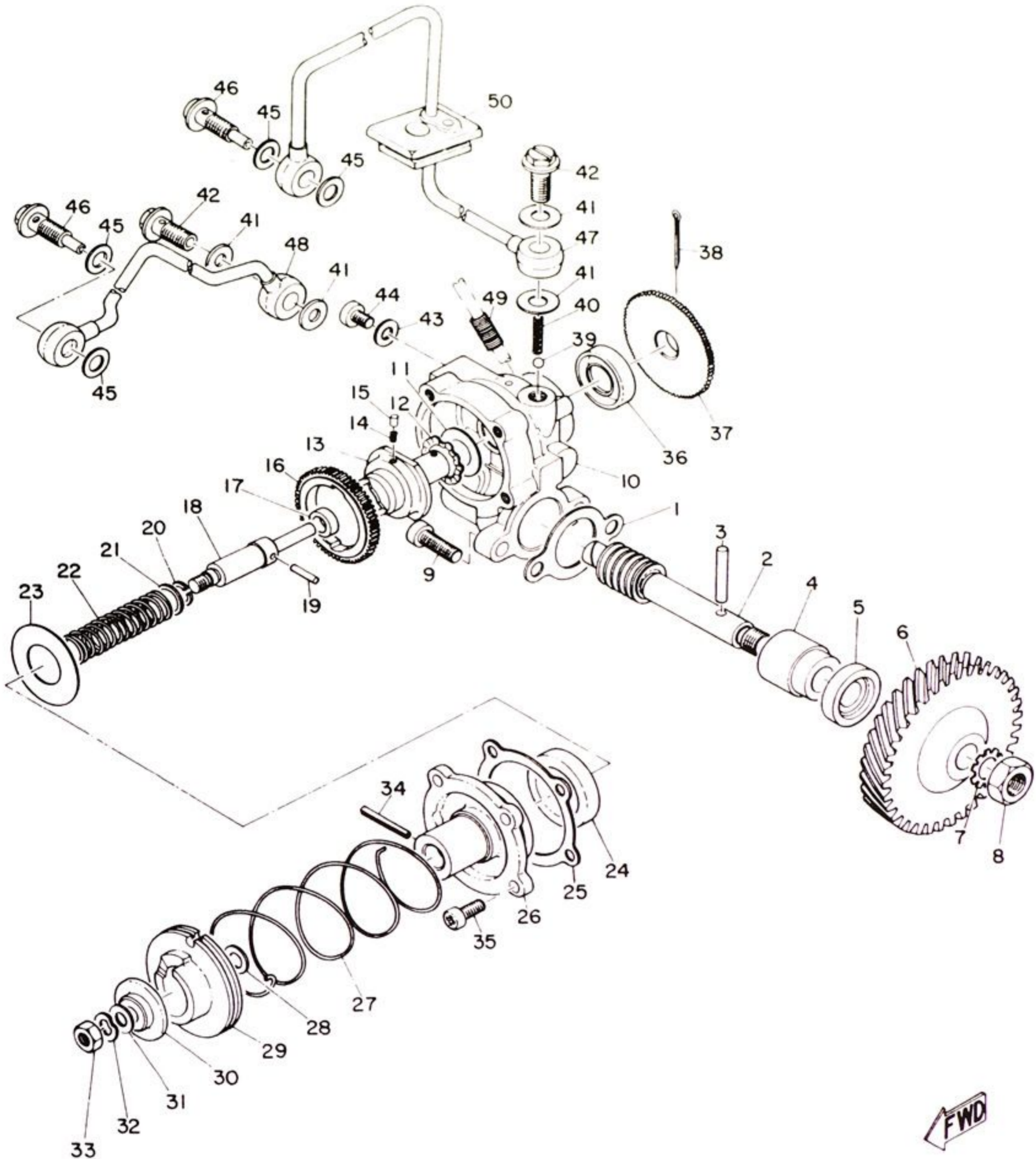


OIL PUMP

Dessa delar passar till modellerna AS-1, AS-2C och AS-2J

Ref No.	Parts No.	Parts Name	Description	Qty		S R	Remarks
				YAS1	YAS10		
11- 1	126-13116-00	GASKET, pump case		1	1		
11- 2	174-13175-00	SHAFT, worm		1	1		
11- 3	93603-22028	PIN, dowel	3-22	1	1		
11- 4	137-13176-00	METAL, worm shaft outer		1	1		
11- 5	93101-10002	OIL SEAL	S-10-22-7	1	1		
11- 6	132-13178-00	GEAR, drive	34T	1	1		
11- 7	92901-08400	WASHER, tooth		1	1		
11- 8	92801-08300	NUT		1	1		
11- 9	92501-05015	SCREW, pan head		2	2		
11- 0-1	183-13101-00	OIL PUMP ASS'Y		1	1		
11-10	156-13110-00	. PUMP CASE ASS'Y		1	1		△
11-11	137-13148-00	. PLATE, cam thrust	10.2-16.5 -0.3	1	1		
11-12	137-13129-00	. WASHER, wave		1	1		
11-13	156-13120-00	. DISTRIBUTOR ASS'Y		1	1		△
11-14	137-13125-00	. SPRING, pin return		2	2		
11-15	93602-04029	. PIN, dowel	2-3.5	2	2		
11-16	115-13124-60	. GEAR, worm wheel	55T	1	1		
11-17	93104-04001	. OIL SEAL	SO-4-9-3	1	1		
11-18	137-13131-00	. PLUNGER		1	1		△
11-19	93603-12030	. PIN, PLUNGER	2.5-11.8	1	1		
11-20	93440-08001	. CIRCLIP	8φ	1	1		
11-21	137-13134-00	. SEAT, spring	8.2-10.5-0.5	1	1		
11-22	137-13135-00	. SPRING, plunger return		1	1		
11-23	137-13127-00	. PLATE, worm wheel	14.5-28.5 -0.5	1	1		
11-24	93104-14004	. OIL SEAL	SO-14-25-5	1	1		
11-25	137-13142-00	. GASKET, pump case cover		1	1		
11-26	137-13141-00	. COVER, pump case		1	1		△
11-27	156-13145-00	. SPRING, adjust pulley		1	1		
11-28	137-13137-00	. SHIM, plunger	5.8-10-0.1	1	1		
11-29	132-13144-00	. PULLEY, adjusting		1	1		
11-30	137-13138-00	. PLATE, adjusting		1	1		
11-31	137-13147-00	. SHIM 2	5.8-10-0.1	1	1		
11-32	137-13136-00	. WASHER, wave		1	1		
11-33	137-13139-00	. NUT, adjust plate		1	1		
11-34	91608-20010	. PIN, spring	2-10	1	1		
11-35	92501-04010	. SCREW, pan head		4	4		
11-36	93101-10001	. OIL SEAL	S-10-21-5	1	1		
11-37	137-13128-00	. PLATE, starter		1	1		

Fig. 11 OIL PUMP

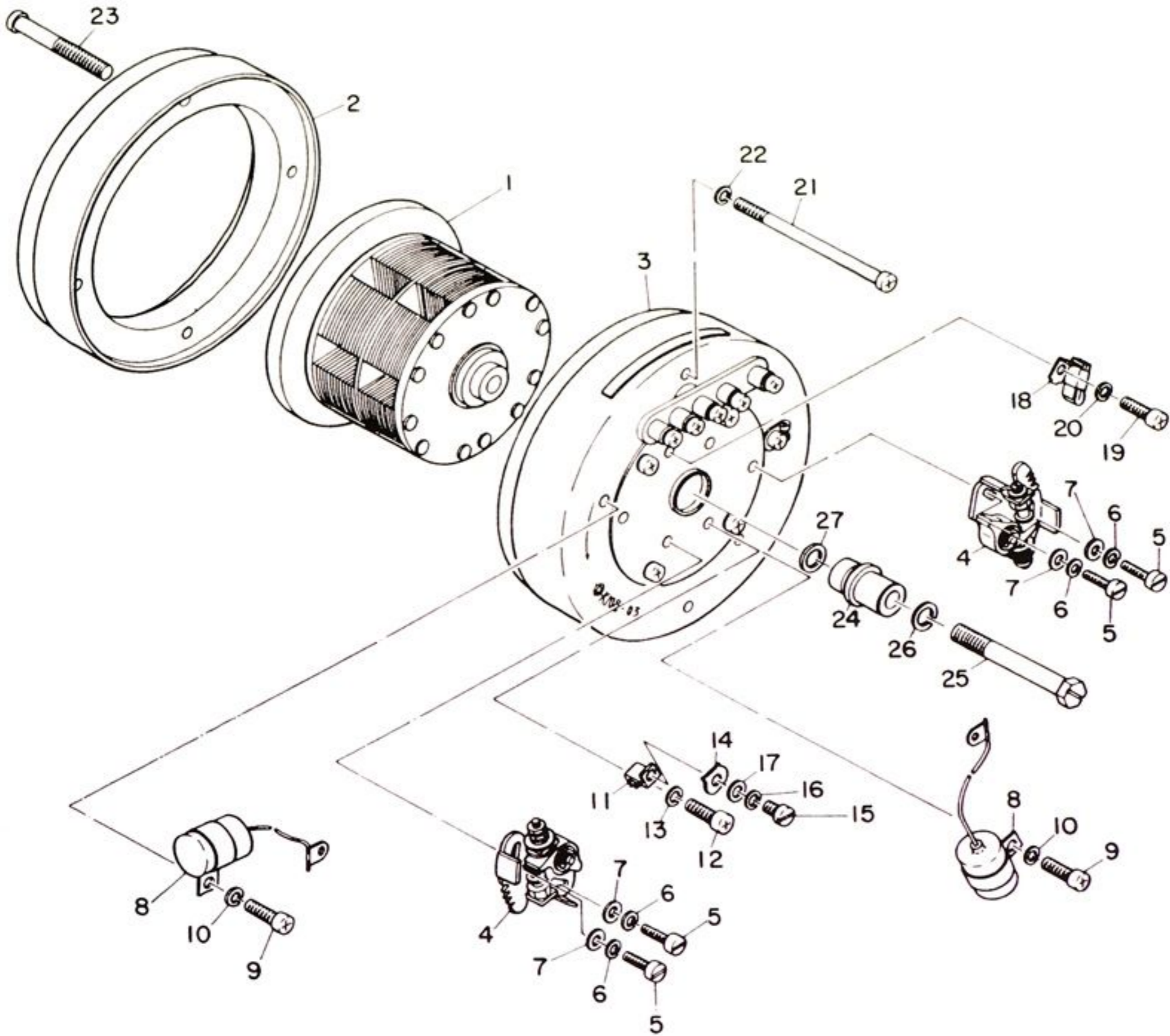


OIL PUMP

Dessa delar passar till modellerna AS-1, AS-2C och AS-2J

Ref No.	Parts No.	Parts Name	Description	Q'ty		S	R	Remarks
				YAS1	YAS10			
11-38	91401-12018	. PIN, cotter		1	1			
11-39	93505-32002	. BALL	5/32"	2	2			2
11-40	137-13169-00	. SPRING, check ball		2	2			
11-41	137-13167-00	. GASKET, banjo bolt 1	6-13-0.5	4	4			
11-42	137-13165-00	. BOLT, banjo 1		2	2			
11-43	137-13187-00	. GASKET, breather	4.2-8.5-0.5	1	1			
11-44	92501-04005	. SCREW, pan head		1	1			
11-45	156-13168-00	GASKET, banjo both 2	6-13-1.0	4	4			
11-46	132-13166-00	BOLT, banjo 2		2	2			
11-47	183-13161-00	PIPE, delivery (L.H)		1	1			
11-48	183-13171-00	PIPE, delivery (R.H)		1	1			
11-49	126-13184-00	SPRING, oil pipe		1	1			
11-50	132-13174-00	HOLDER, oil pipe		1	1			

Fig. 12 A.C. MAGNET GENERATOR





A.C. MAGNET GENERATOR

Dessa delar passar till modellerna AS-1, AS-2C och AS-2J

Ref No.	Parts No.	Parts Name	Description	Qty		S-R	Remarks
				YAS1	YAS1C		
12- 0-1	183-81400-10	A.C. MAGNET GENERATOR ASS'Y		1	1		+++/ ooo/
12- 1	183-81450-10	. ROTOR ASS'Y		1	1		ooo/
12- 2	183-81419-10	. CASE, stator		1	1		
12- 3	183-81410-10	. STATOR ASS'Y		1	1		
12- 4	132-81221-10	. . CONTACT BREAKER ASS'Y	xxx/	2	2		AS-1 AS-2C 1969
12- 5	92301-04008	. . SCREW, cylinder head		4	4		
12- 6	92901-04100	. . WASHER, spring		4	4		
12- 7	92901-04200	. . WASHER, plain		4	4		
12- 8	183-81425-10	. . CONDENSER		2	2		
12- 9	92501-04008	. . SCREW, pan head		2	2		
12-10	92901-04100	. . WASHER, spring		2	2		
12-11	132-81233-10	. . FIXTURE, timing plate		1	1		
12-12	92501-04008	. . SCREW, pan head		1	1		
12-13	92901-04100	. . WASHER, spring		1	1		
12-14	132-81232-10	. . PLATE, timing		1	1		
12-15	92301-03006	. . SCREW, cylinder head		1	1		
12-16	92901-03100	. . WASHER, spring		1	1		
12-17	92901-03200	. . WASHER, plain		1	1		
12-18	132-81231-10	. . LUBRICATOR		1	1		
12-19	92501-04008	. . SCREW, pan head		1	1		
12-20	92901-04100	. . WASHER, spring		1	1		
12-21	136-81135-10	. SCREW, stator setting 1	5φ-82	2	2		
12-22	92901-05100	. WASHER, spring		2	2		
12-23	132-81436-10	. SCREW, stator setting 2	6φ	2	2		
12-24	183-81451-10	. CAM		1	1		AS-2C & AS-2J
12-24	183-81451-12	. CAM		1	1		
12-25	183-81452-10	. BOLT	7φ	1	1		
12-26	92901-08100	. WASHER, spring		1	1		
12-27	183-81462-10	. WASHER, plain		1	1		
12-0-1	183-81400-12	+++/ komplett magnet till AS-2C: GENERATOR ASSY				1	
12-0-1	183-81400-13	+++/ komplett magnet till AS-2J: GENERATOR ASSY				1	
ooo/ 12-1	183-81450-11	ROTOR assy					AS-2C
ooo/ 12-1	183-81450-12	ROTOR assy					AS-2J
xxx/ 12-4	183-81421-10	CONTACT BREAKER ASSY	passar till				(AS-1 1970 (AS-2C 1970 (AS-2J 1971



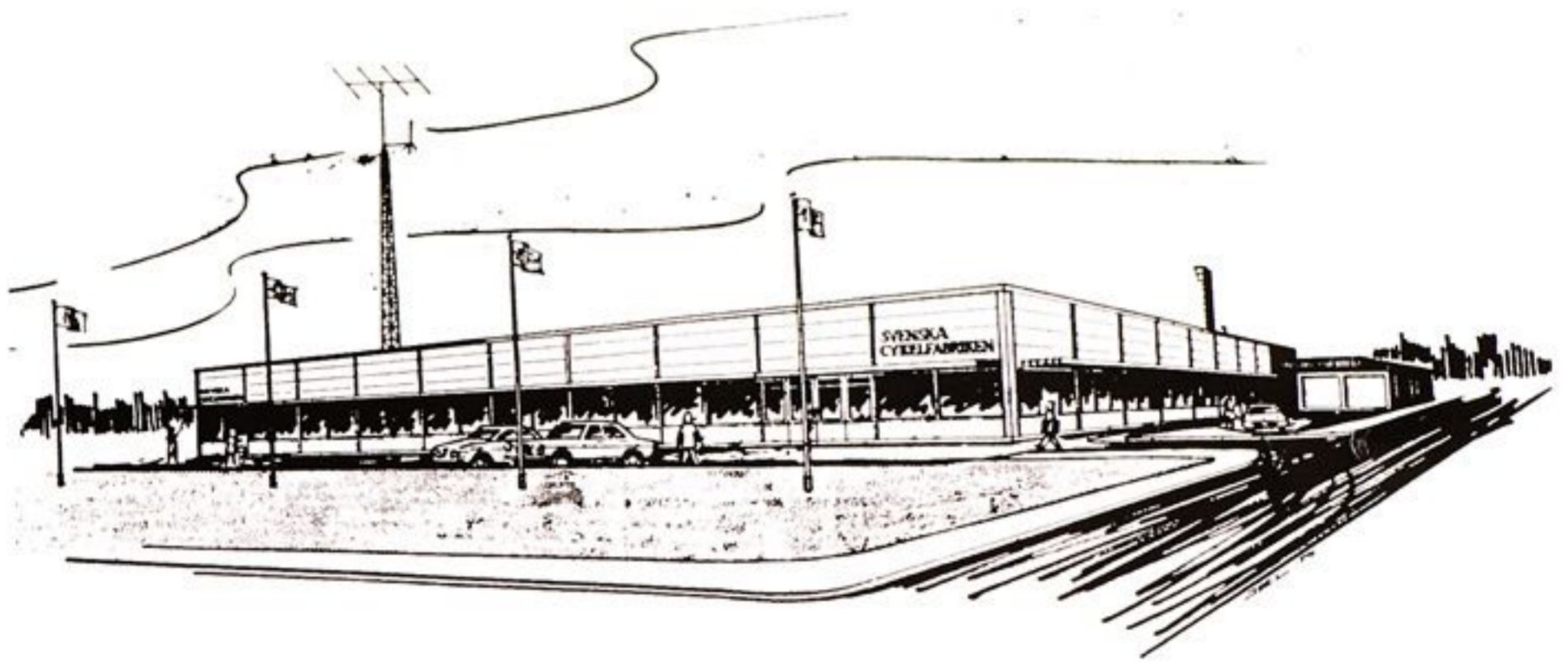
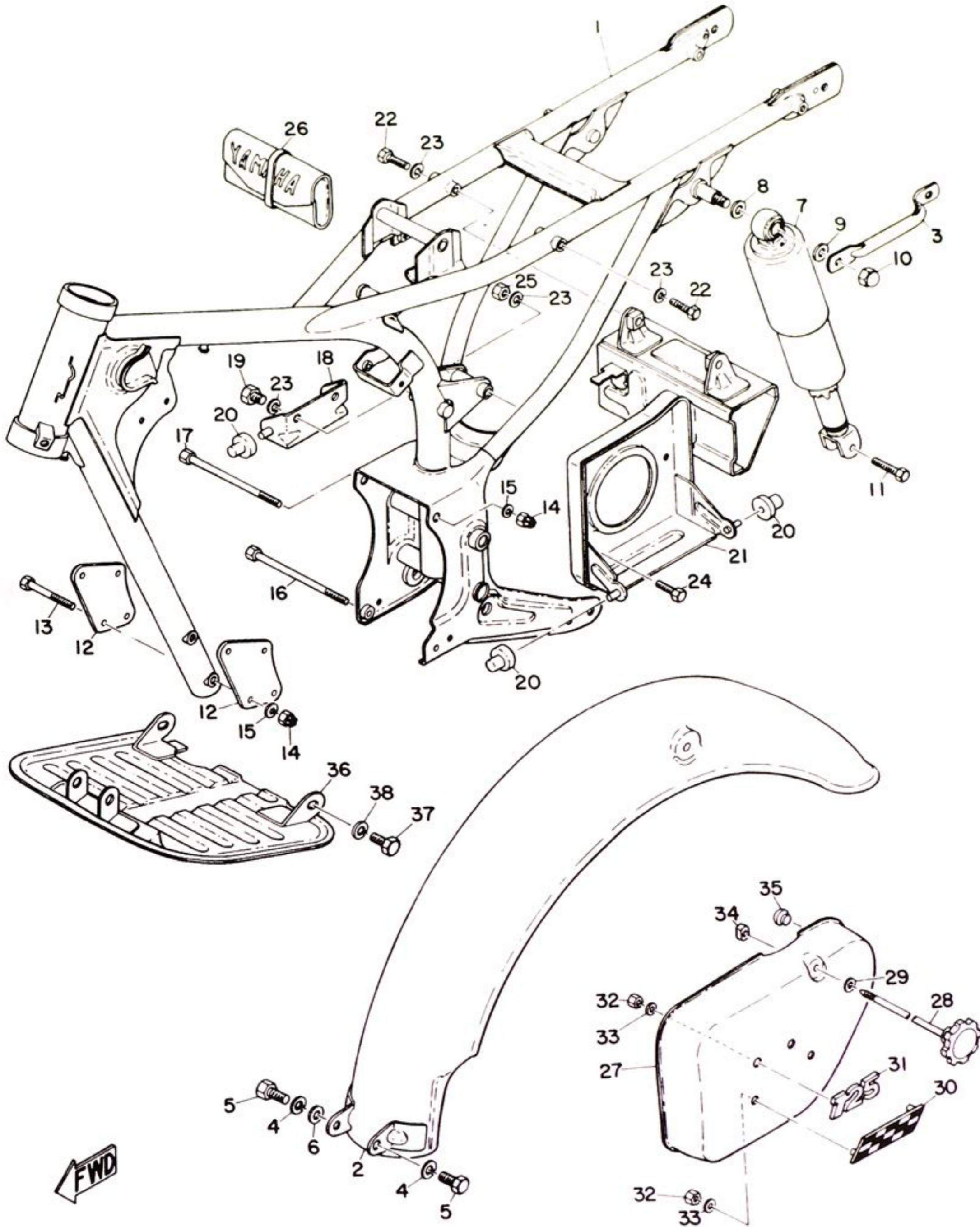


Fig. 13 FRAME

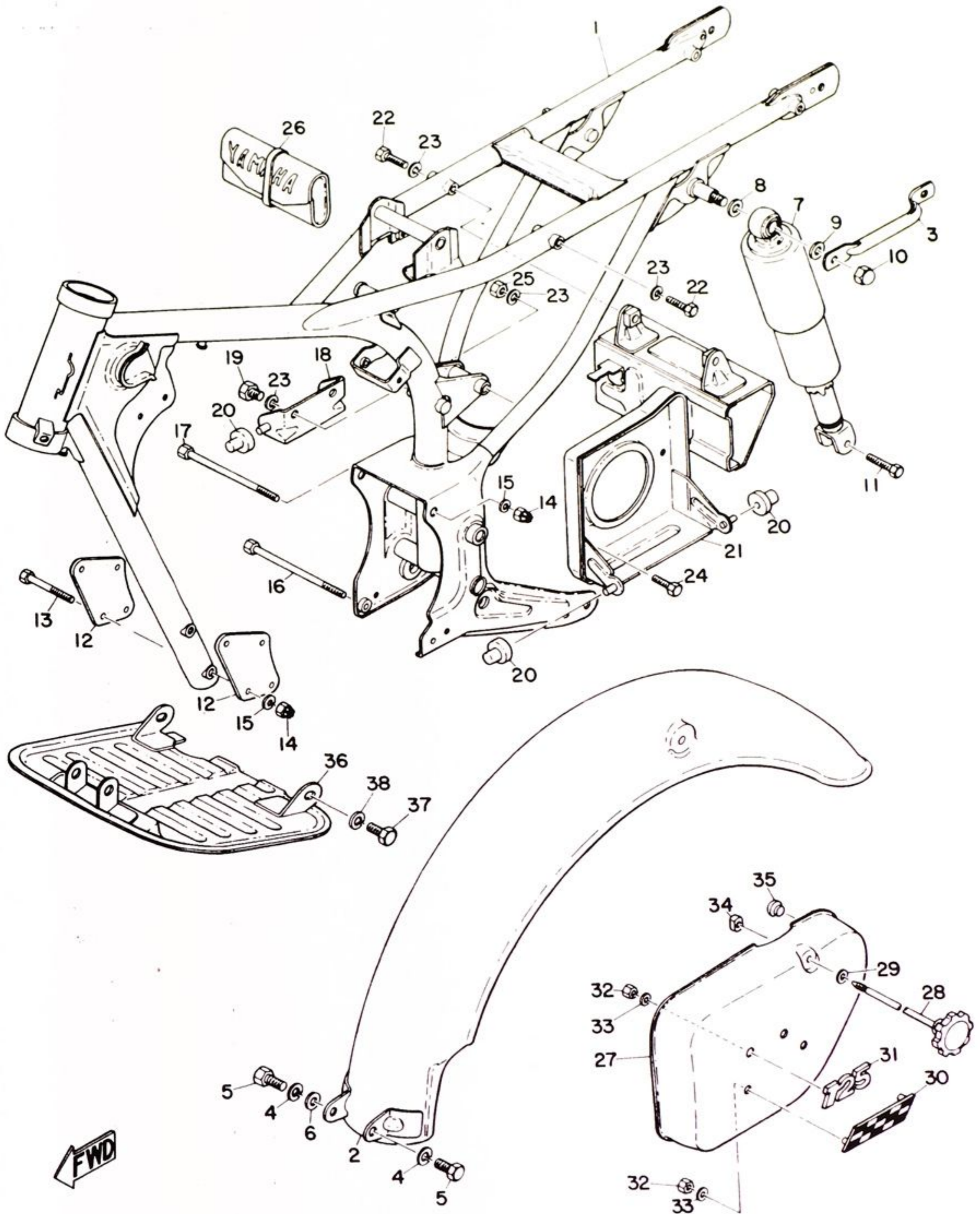


FRAME

Dessa delar passar till modell AS-1

Ref No.	Parts No.	Parts Name	Description	Q'ty		S	R	Remarks
				YAS1	YASIC			
13- 1	183-21110-00	FRAME COMP.		1				
	218-21110-00	FRAME COMP.			1			
13- 2	183-21610-00	REAR FENDER COMP.		1	1			
13- 3	183-21165-00	HANDLE, standing		1	1			
13- 4	92901-08100	WASHER, spring		2	2			
13- 5	91201-08012	BOLT		2	2			
13- 6	92901-08200	WASHER, plain		1	1			
13- 7	183-22210-00	REAR CUSHION ASS'Y		2	2			●
13- 8	135-22243-00	WASHER, rear cushion	14.8-27-2	2	2			
13- 9	136-22243-00	WASHER, rear cushion	10.5-27-2	2	2			
13-10	92803-10700	NUT, crown		2	2			
13-11	164-22241-00	BOLT, rear cushion		2	2			
13-12	183-21315-00	STAY, engine front		2	2			
13-13	91101-08055	BOLT		4	3			
	91101-08060	BOLT			1			
13-14	183-22143-00	NUT		5	5			
13-15	92901-08100	WASHER, spring		5	5			
13-16	116-21483-00	BOLT, engine mounting	8-130	1	1			
13-17	91101-08115	BOLT		1	1			
13-18	183-21797-00	HINGE, oil tank		1	1			
13-19	91201-08010	BOLT		1	1			
13-20	174-21746-00	BUSH, rubber		4	4			
13-21	183-21170-00	BOX COMP.		1	1			
13-22	91201-08040	BOLT		2	2			
13-23	92901-08100	WASHER, spring		4	4			
13-24	91201-08060	BOLT		1	1			
13-25	92801-08100	NUT		1	1			
13-26	183-28100-00	TOOL ASS'Y		1	1			☆
13-27	183-21711-60	COVER, side		1	1			●
13-28	183-21714-00	KNOB, side cover		1	1			
13-29	92901-06200	WASHER, plain		1	1			
13-30	193-21787-60	EMBLEM, checkerflag		1				
	218-21787-00	EMBLEM, checkerflag			1			
13-31	183-21786-00	EMBLEM, 125		1	1			
13-32	116-28317-00	NUT		4	4			
13-33	174-28316-00	DAMPER, emblem		4	4			
13-34	136-21713-00	NUT, latch clamp		1	1			
13-35	137-21778-00	DAMPER, oil tank		1	1			

Fig. 13 FRAME

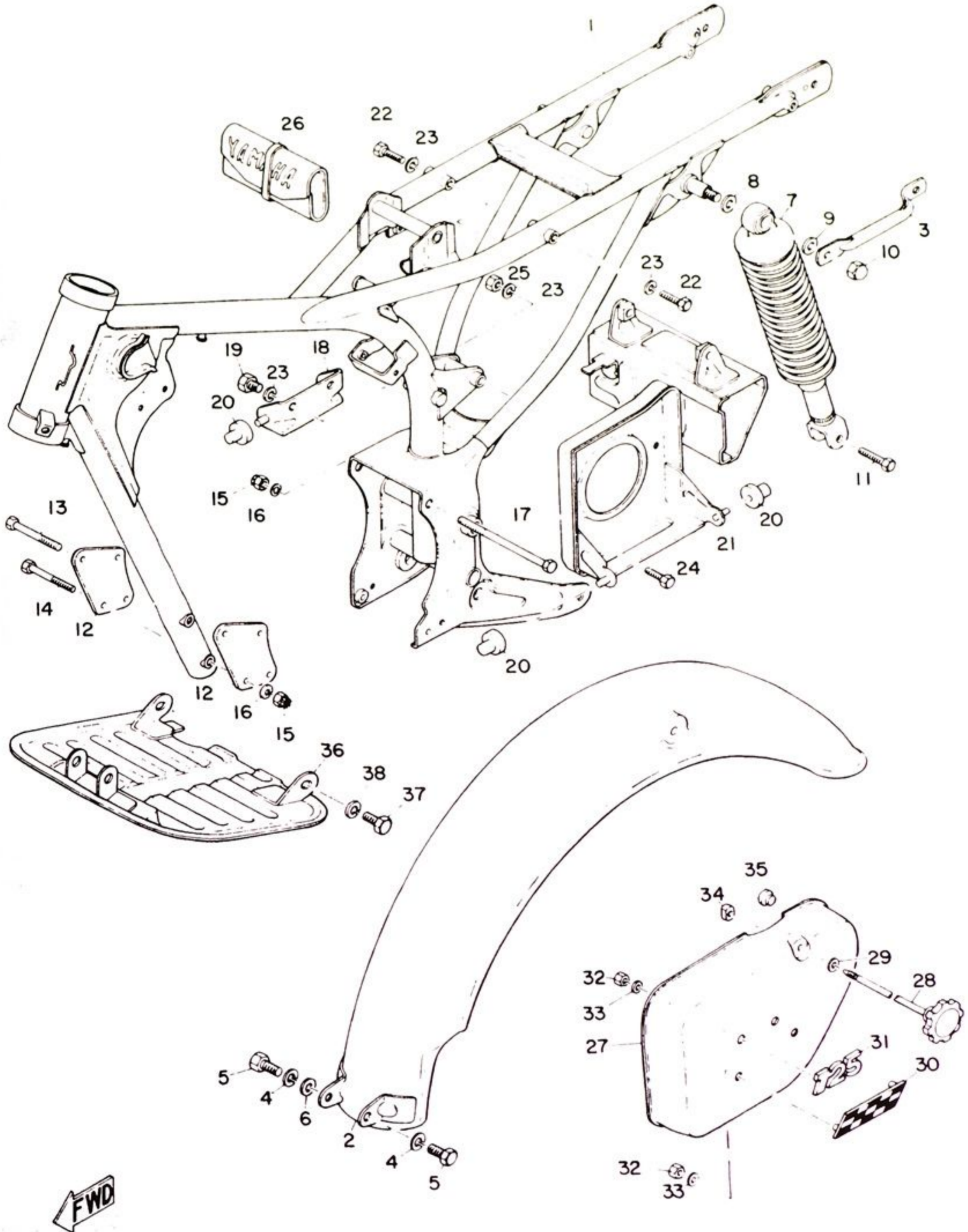


FRAME

Dessa delar passar till modell AS-2C

Ref No.	Parts No.	Parts Name	Description	Q'ty	S·R	Remarks
13- 1	218-21110-00-33	FRAME COMP.		1		
13- 2	183-21610-00	REAR FENDER COMP.		1		
13- 3	183-21165-00	HANDLE, standing		1		
13- 4	92901-08100	WASHER, spring		2		
13- 5	97201-08012	BOLT		2		
13- 6	92901-08200	WASHER, plain		1		
13- 7	218-22210-20	REAR CUSHION ASS'Y		2		
13- 8	135-22243-00	WASHER, rear cushion	14.8-27-2	2		
13- 9	136-22243-00	WASHER, rear cushion	10.5-27-2	2		
13-10	92803-10700	NUT, crown		2		
13-11	164-22241-00	BOLT, rear cushion		2		
13-12	183-21315-00-33	STAY, engine front		2		
13-13	97101-08055	BOLT		3		
13-14	97101-08060	BOLT		1		
13-15	183-22143-00	NUT		5		
13-16	92901-08100	WASHER, spring		5		
13-17	97101-08115	BOLT		1		
13-18	183-21797-00	HINGE, oil tank		1		
13-19	97201-08010	BOLT		1		
13-20	174-21746-00	BUSH, rubber		4		
13-21	183-21170-00-33	BOX COMP.		1		
13-22	97201-08040	BOLT		2		
13-23	92901-08100	WASHER, spring		4		
13-24	97201-08060	BOLT		1		
13-25	98801-08100	NUT		1		
13-26	183-28100-01	TOOL ASS'Y		1		☆
13-27	183-21711-60-01	COVER, side		1		Californian Orange
	183-21711-60-02	COVER, side		1		Adrian Blue
13-28	183-21714-00	KNOB, side cover		1		
13-29	92901-06200	WASHER, plain		1		
13-30	193-21787-60	EMBLEM, checkerflag		1		
13-31	183-21786-01	EMBLEM, "125"		1		
13-32	116-28317-00	NUT		4		
13-33	174-28316-00	DAMPER, emblem		4		
13-34	136-21713-00	NUT, latch clamp		1		
13-35	137-21778-00	DAMPER, oil tank		1		
13-36	218-21471-00-33	PROTECTOR, engine		1		
13-37	97201-08015	BOLT		2		

Fig. 13 FRAME

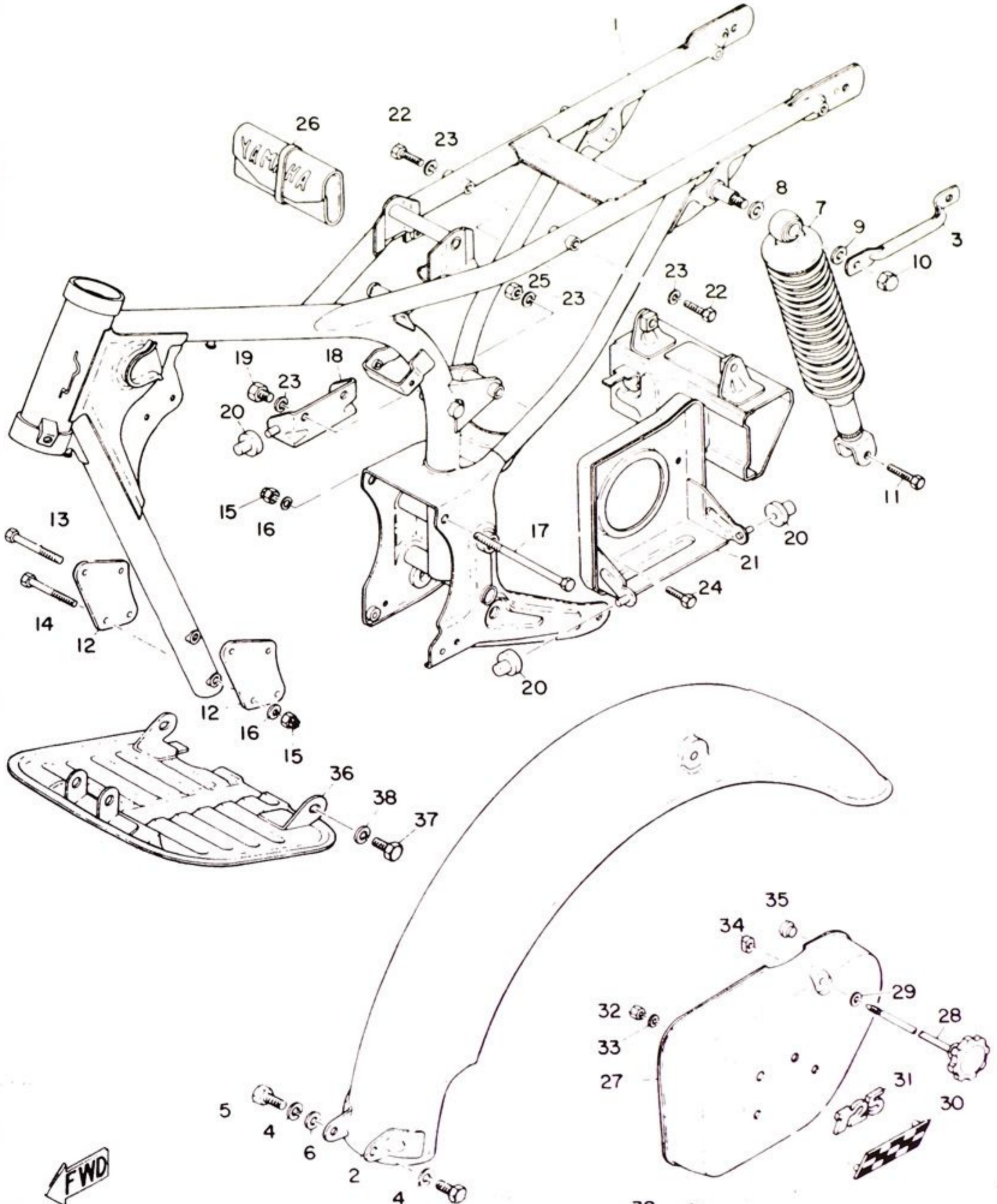


FRAME

Dessa delar passar till modell AS-1

Ref No.	Parts No.	Parts Name	Description	Q'ty		S·R	Remarks
				YAS1	YAS1C		
13-36	218-21471-00	PROTECTOR, engine			1		
13-37	91201-08015	BOLT			2		
13-38	92901-08100	WASHER, spring			2		

Fig. 13 FRAME



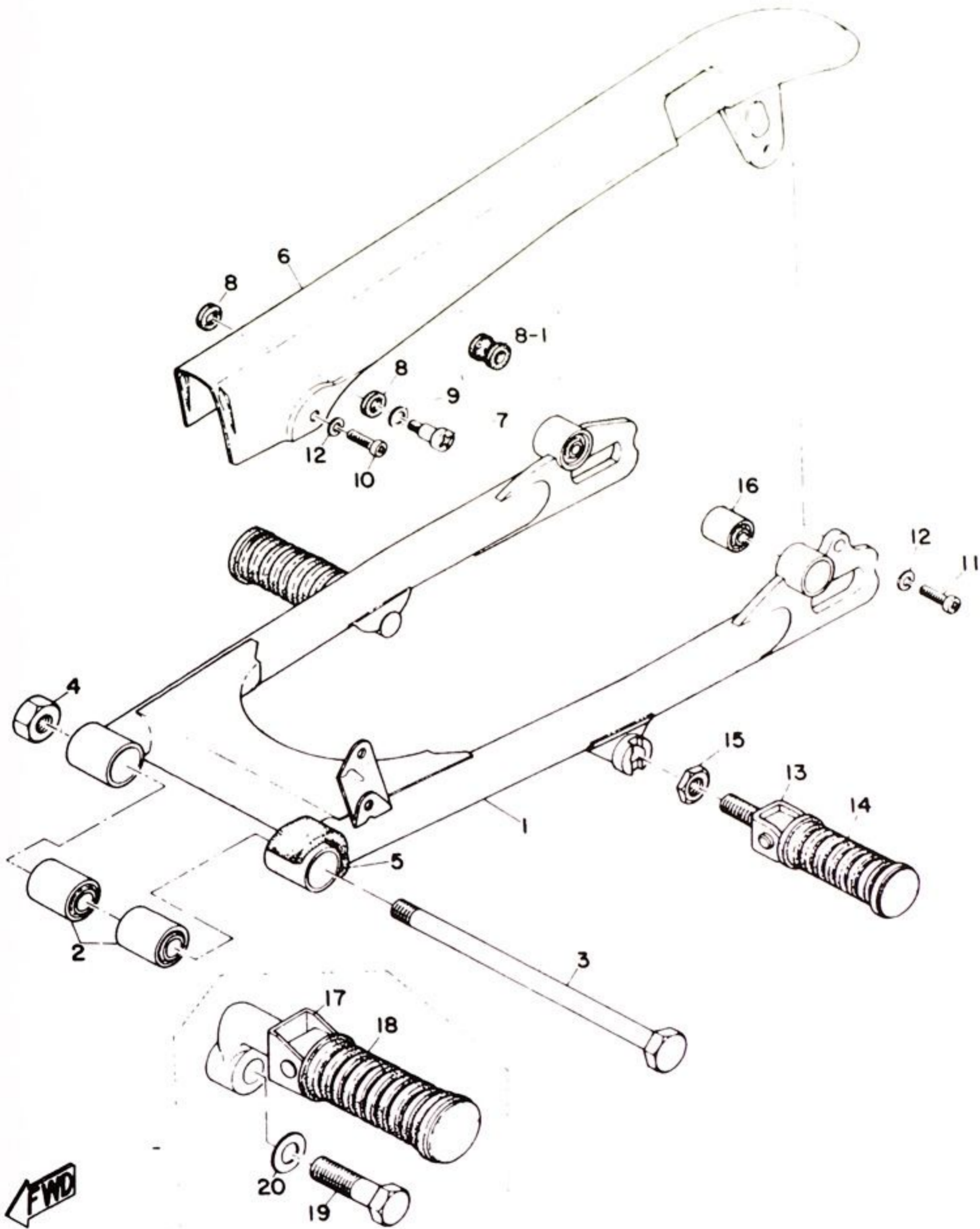


FRAME

Dessa delar passar till modell AS-2C

Ref No.	Parts No.	Parts Name	Description	Q'ty	S·R	Remarks
13-38	92901-08100	WASHER, spring		2		
13-27	183-21711-60-03	COVER, side		1		Brilliant Red

Fig. 14 REAR ARM & CHAIN CASE

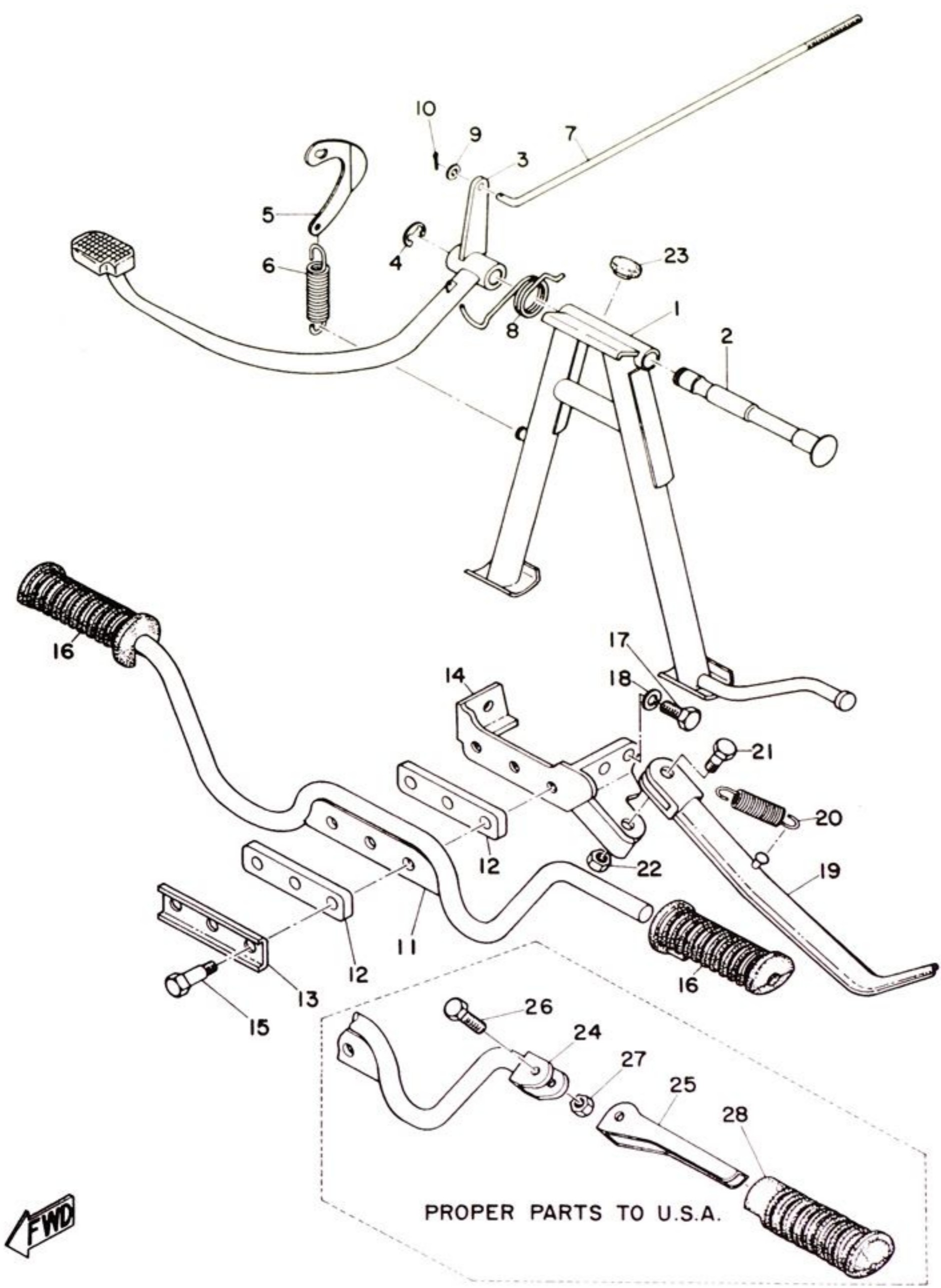


REAR ARM & CHAIN CASE

Dessa delar passar till modellerna AS-1 och AS-2C

Ref No.	Parts No.	Parts Name	Description	Q'ty		S·R	Remarks
				YAS1	YAS1C		
14- 1	183-22110-00	REAR ARM COMP.		1	1		
14- 2	183-22123-00	BUSHING, rear arm		2	2		
14- 3	183-22141-00	SHAFT, pivot		1	1		
14- 4	92801-12200	NUT		1	1		
14- 5	183-22151-00	SEAL, guard		1	1		
14- 6	183-22311-01	CASE, chain 1		1	1		
14- 7	183-22331-00	SCREW, chain case fitting		1	1		
	183-22331-01	SCREW, chain case fitting		1	1		
14- 8	183-22332-00	DAMPER, chain case		2	2		
14- 8-1	183-22332-01	DAMPER, chain case		1	1		
14- 9	183-22316-00	WASHER, chain case		1	1		
	183-22316-01	WASHER, chain case		1	1		
14-10	92501-06010	SCREW, pan head		1	1		
14-11	92501-06012	SCREW, pan head		1	1		
14-12	92901-06100	WASHER, spring		2	2		
14-13	120-27430-01	REAR FOOT REST ASS'Y		2			
14-14	120-27433-00	. COVER, rear foot rest		2			
14-15	128-27436-00	NUT, rear foot rest		2			
14-16	164-22216-00	BUSHING, rear cushion		2	2		
14-17	178-27430-00	REAR FOOT REST ASS'Y			2		
14-18	120-27433-00	. COVER, rear foot rest			2		
14-19	91201-12040	BOLT			2		
14-20	92901-12100	WASHER, spring			2		

FIG. 15 STAND, FOOT REST & REAR BRAKE PEDAL

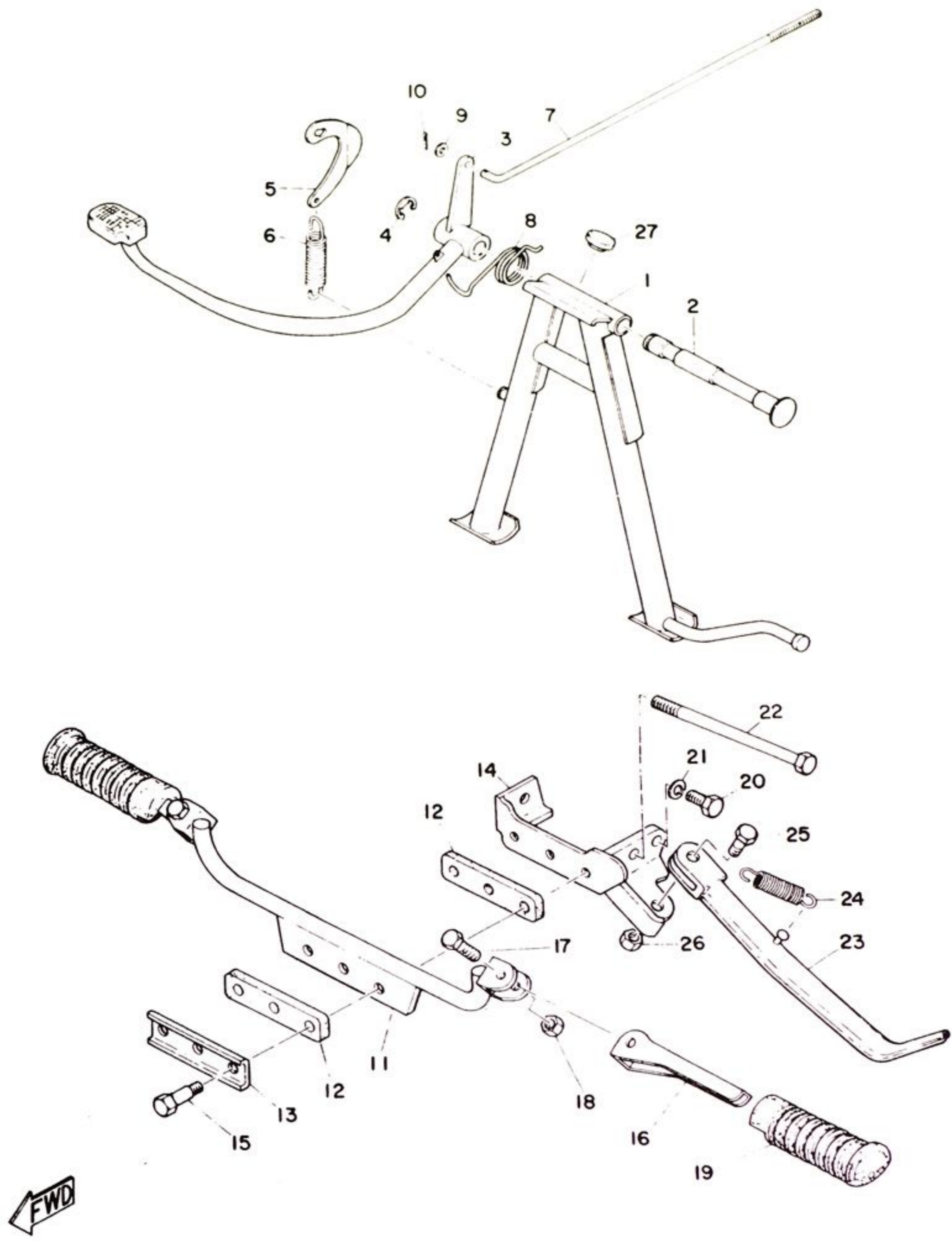


STAND, FOOT REST & REAR BRAKE PEDAL

Deasa delar passat till modell AS-1

Ref No.	Parts No.	Parts Name	Description	Q'ty		S·R	Remarks
				YAS1	YAS1C		
15- 1	183-27111-00	STAND, main		1			
	183-27111-10	STAND, main			1		
15- 2	122-27112-00	SHAFT, main stand		1	1		
15- 3	183-27211-00	PEDAL BRAKE		1			
	183-27211-10	PEDAL BRAKE			1		
15- 4	93430-12008	CIRCLIP		1	1		
15- 5	183-27115-00	LINK, main stand		1	1		
15- 6	122-27116-00	SPRING, main stand		1	1		
15- 7	183-27231-00	ROD, brake		1	1		
15- 8	183-27216-00	SPRING, return		1	1		
15- 9	92901-06200	WASHER, plain		1	1		
15-10	91401-20012	PIN, cotter		1	1		
15-11	183-27411-00	FOOT REST		1			
	218-27411-00	FOOT REST			1		
15-12	164-27414-00	DAMPER, foot rest		2	2		
15-13	164-27417-00	WASHER, foot rest		1	1		
15-14	183-27412-00	BRAKET, foot rest		1	1		
15-15	132-27416-00	BOLT, foot rest		3	3		
15-16	122-27413-00	COVER, foot rest		2	2		
15-17	91201-08020	BOLT		1	1		
15-18	92901-08100	WASHER, spring		1	1		
15-19	183-27311-00	STAND, side		1	1		
15-20	183-27316-00	SPRING, side stand		1	1		
15-21	174-27317-00	BOLT, side stand		1	1		
15-22	92801-08300	NUT		1	1		
15-23	128-27114-00	STOPPER, main stand			1		
		PROPER PARTS TO U.S.A.					
15-24	218-27411-10	FOOT REST			1		
15-25	157-27411-00	FOOT REST			2		
15-26	157-27416-00	BOLT			2		
15-27	92801-08300	NUT			2		
15-28	156-27413-00	COVER, foot rest			2		

15 STAND, FOOT REST & REAR BRAKE PEDAL

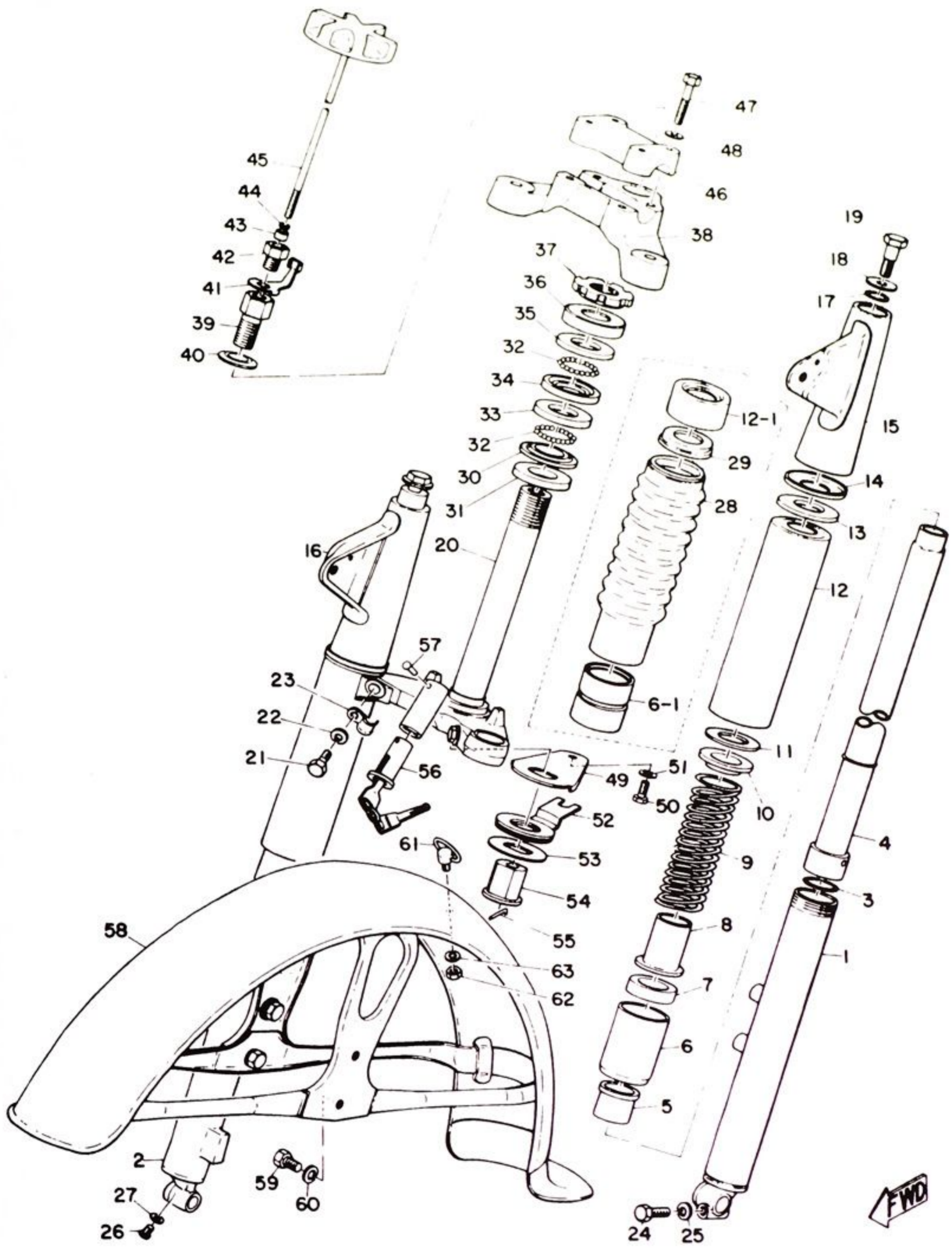


STAND, FOOT REST & REAR BRAKE PEDAL

Dessa delar passar till modell AS-2C

Ref No.	Parts No.	Parts Name	Description	Qty	S·R	Remarks
15- 1	183-27111-10-33	STAND, main		1		
15- 2	122-27112-00	SHAFT, main stand		1		
15- 3	183-27211-10	PEDAL, brake		1		
15- 4	93430-12008	CIRCLIP		1		
15- 5	183-27115-00	LINK, main stand		1		
15- 6	122-27116-00	SPRING, main stand		1		
15- 7	183-27231-00	ROD, brake		1		
15- 8	183-27216-00	SPRING, return		1		
15- 9	92901-06200	WASHER, plain		1		
15-10	91401-20012	PIN, cotter		1		
15-11	218-27411-10-33	FOOT REST		1		
15-12	164-27414-00	DAMPER, foot rest		2		
15-13	164-27417-00	WASHER, foot rest		1		
15-14	183-27412-00-33	BRACKET, foot rest		1		
15-15	132-27416-00	BOLT, feet rest		3		
15-16	157-27411-00	FOOT REST		2		
15-17	157-27416-00	BOLT		2		
15-18	98801-08300	NUT		2		
15-19	156-27413-00	COVER, foot rest		2		
15-20	97201-08020	BOLT		1		
15-21	92901-08100	WASHER, spring		1		
15-22	116-21483-00	BOLT, engine mounting		1		
15-23	183-27311-00-33	STAND, side		1		
15-24	183-27316-00	SPRING, side stand		1		
15-25	174-27317-00	BOLT, side stand		1		
15-26	98801-08300	NUT		1		
15-27	128-27114-00	STOPPER, main stand		1		

Fig. 16 FRONT FORK & FRONT FENDER

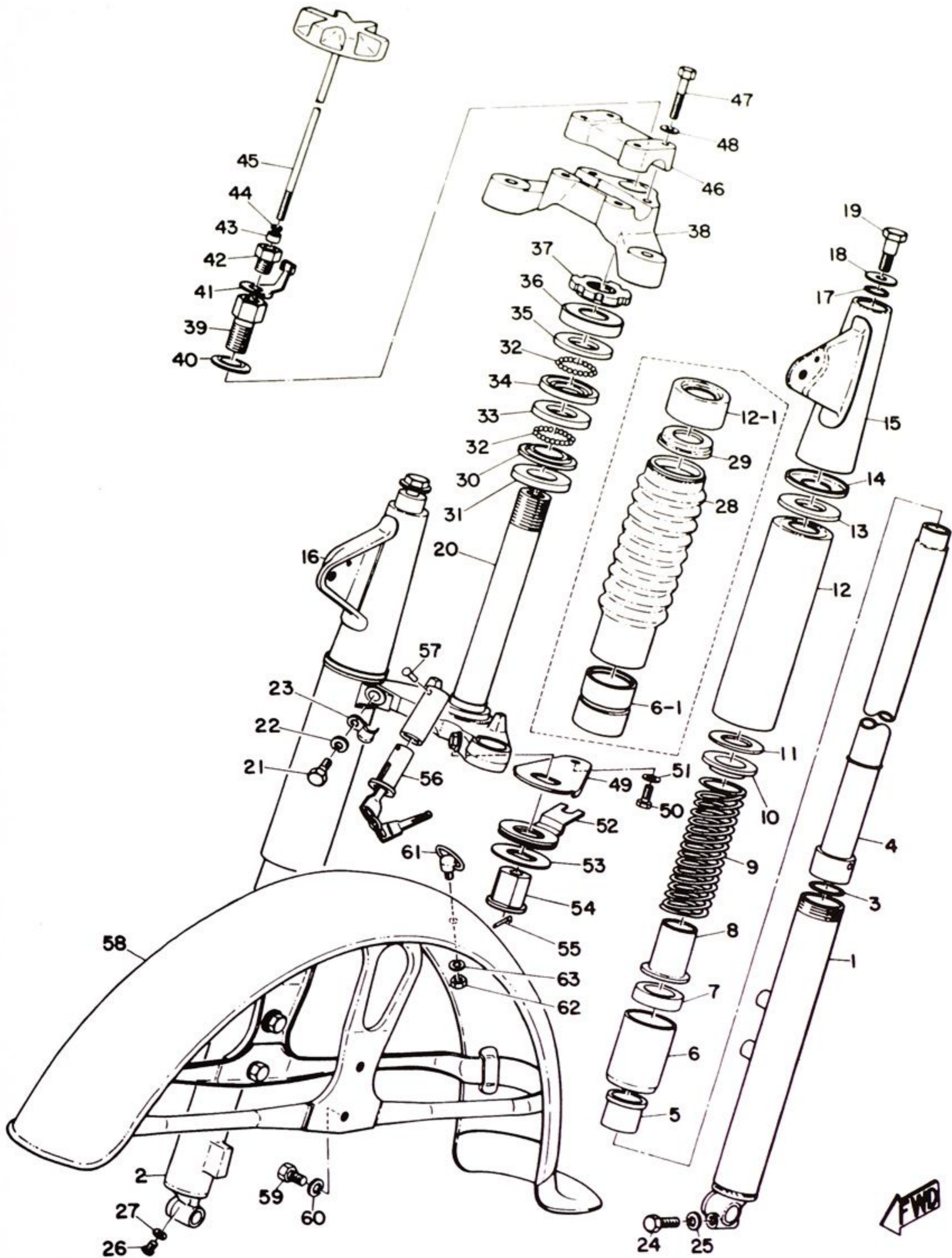


FRONT FORK & FRONT FENDER

Dessa delar passar till modell AS-1

Ref No.	Parts No.	Parts Name	Description	Q'ty		S	R	Remarks
				YAS1	YASIC			
16- 0-1	183-23100-00	FRONT FORK ASS'Y		1				●
	183-23100-40	FRONT FORK ASS'Y			1			●
16- 1	183-23126-00	. TUBE, outer (L.H)		1	1			●
16- 2	183-23136-00	. TUBE, outer (R.H)		1	1			●
16- 3	164-23147-00	. O-RING		2	2			
16- 4	183-23124-00	. TUBE, inner		2	2			
16- 5	164-23125-00	. METAL, slide		2	2			
16- 6	183-23127-00	. NUT, outer		2				
16- 6-1	183-23127-40	. NUT, outer			2			
16- 7	164-23145-00	. . OIL SEAL		2	2			
16- 8	164-23143-00	. SEAT, spring under		2	2			
16- 9	183-23141-00	. SPRING, fork		2				
	183-23141-10	. SPRING, fork			2			
16-10	183-23142-00	. SEAT, spring upper		2				
	167-23142-00	. SEAT, spring upper			2			
16-11	183-23149-00	. WASHER, spring upper		2				
16-12	183-23123-00	. COVER, under		2				●
16-12-1	183-23122-40	. COVER, outer			2			
16-13	183-23163-00	. PACKING		2	2			
16-14	183-23116-00	. GUIDE, cover under		2	2			
16-15	183-23121-00	. COVER, upper (L.H)		1	1			●
16-16	183-23131-00	. COVER, upper (R.H)		1	1			●
16-17	122-23114-00	. PACKING		2	2			
16-18	183-23112-00	. WASHER, cap		2	2			
16-19	183-23111-00	. BOLT, cap		2	2			
16-20	183-23340-00	. UNDER BRACKET COMP.		1	1			
16-21	137-23346-00	. BOLT, under bracket		2	2			
16-22	92901-10100	. WASHER, spring		2	2			
16-23	183-23318-00	. HOLDER, wire		1	1			
16-24	91201-08025	. BOLT		1	1			
16-25	92901-08100	. WASHER, spring		1	1			
16-26	92501-04008	. SCREW, pan head		2	2			
16-27	122-23129-00	. GASKET, drain plug		2	2			
16-28	183-23191-40	. BOOT				2		
16-29	183-23193-40	. GUIDE, boot				2		
16-30	156-23411-00	. RACE, ball 1		1	1			
16-31	164-23462-00	SEAL, dust		1	1			
16-32	93501-04011	BALL	1/4"	38	38			☆

Fig. 16 FRONT FORK & FRONT FENDER

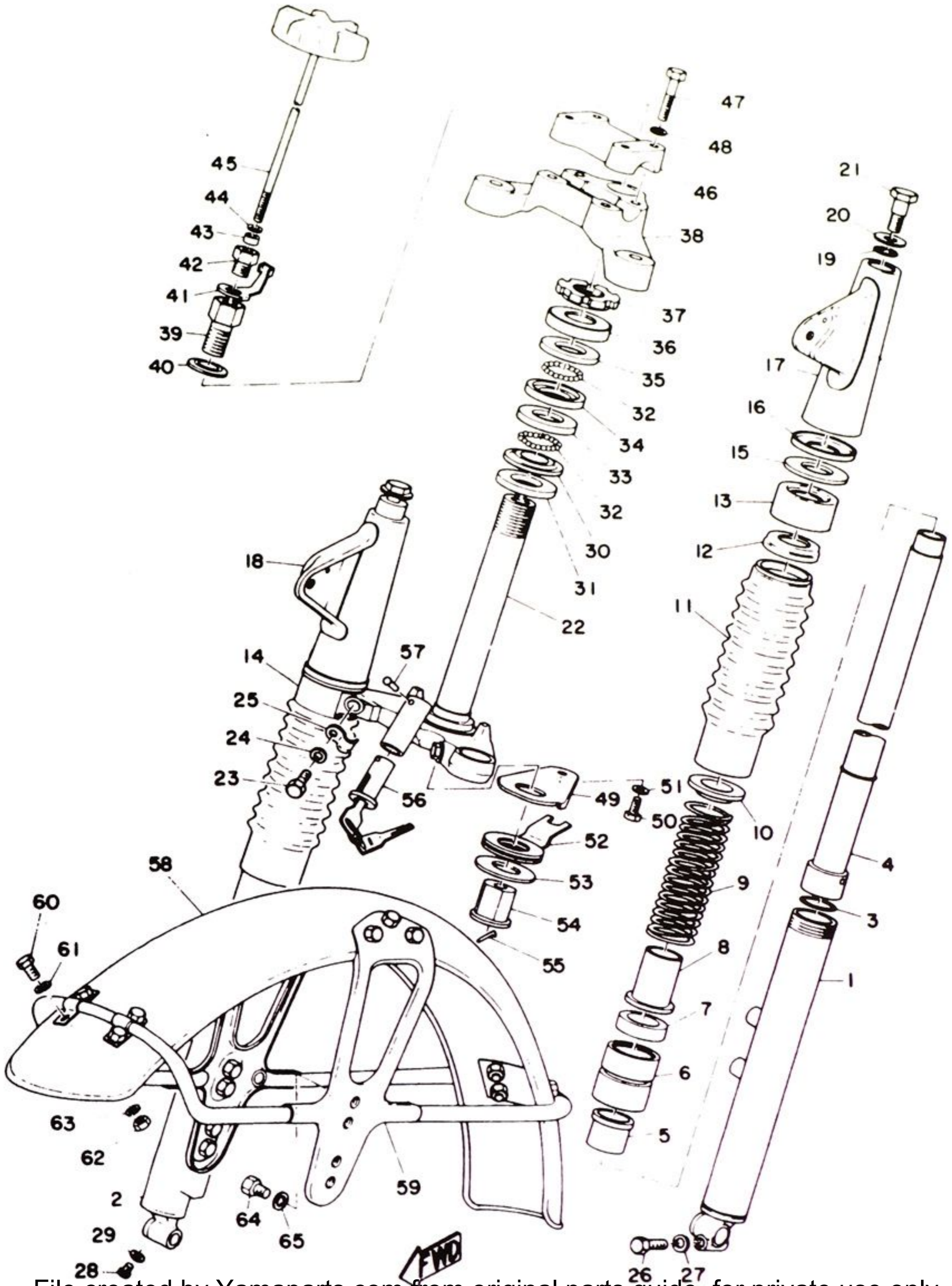


FRONT FORK & FRONT FENDER

Dessa delar passar till modell AS-1

Ref No.	Parts No.	Parts Name	Description	Q'ty		S-R	Remarks
				YAS1	YASIC		
16-33	156-23412-00	RACE, ball 2		1	1		
16-34	183-23412-00	RACE, ball 2		1	1		
16-35	183-23411-00	RACE, ball 1		1	1		
16-36	136-23415-00	COVER, ball race		1	1		
16-37	137-23454-00	NUT, fitting		1	1		
16-38	183-23435-00	CROWN, handle		1	1		
16-39	174-23451-00	BOLT, fitting		1	1		
16-40	174-23443-00	WASHER, crown		1	1		
16-41	174-23428-00	SPRING, damper		1	1		
16-42	174-23424-00	GUIDE, damper		1	1		
16-43	141-23427-00	DAMPER		1	1		
16-44	156-23418-00	WASHER, special		1	1		
16-45	183-23419-00	SHAFT, damper		1	1		
16-46	164-23441-00	HOLDER, handle upper		1	1		
16-47	91204-08035	BOLT		4	4		
16-48	92901-08100	WASHER, spring		4	4		
16-49	174-23421-00	PLATE, damper 1		1	1		
16-50	91101-06010	BOLT		1	1		
16-51	92901-06100	WASHER, spring		1	1		
16-52	183-23422-00	PLATE, damper 2		1	1		
16-53	174-23425-00	DAMPER, friction		1	1		
16-54	174-23453-00	NUT, fitting		1	1		
16-55	156-23433-00	PIN, cotter		1	1		
16-56	122-23480-00	STEERING LOCK ASS'Y		1	1		
16-57	122-23483-00	RIVET		1	1		
16-58	183-21510-00	FRONT FENDER COMP.		1	1		⊙
16-59	91201-08010	BOLT		4	4		
16-60	92901-08100	WASHER, spring		4			
16-61	174-21518-00	HOLDER, wire		1	1		
16-62	92801-06100	NUT		1	1		
16-63	92901-06100	WASHER, spring		1	1		

Fig. 16 FRONT FORK & FRONT FENDER

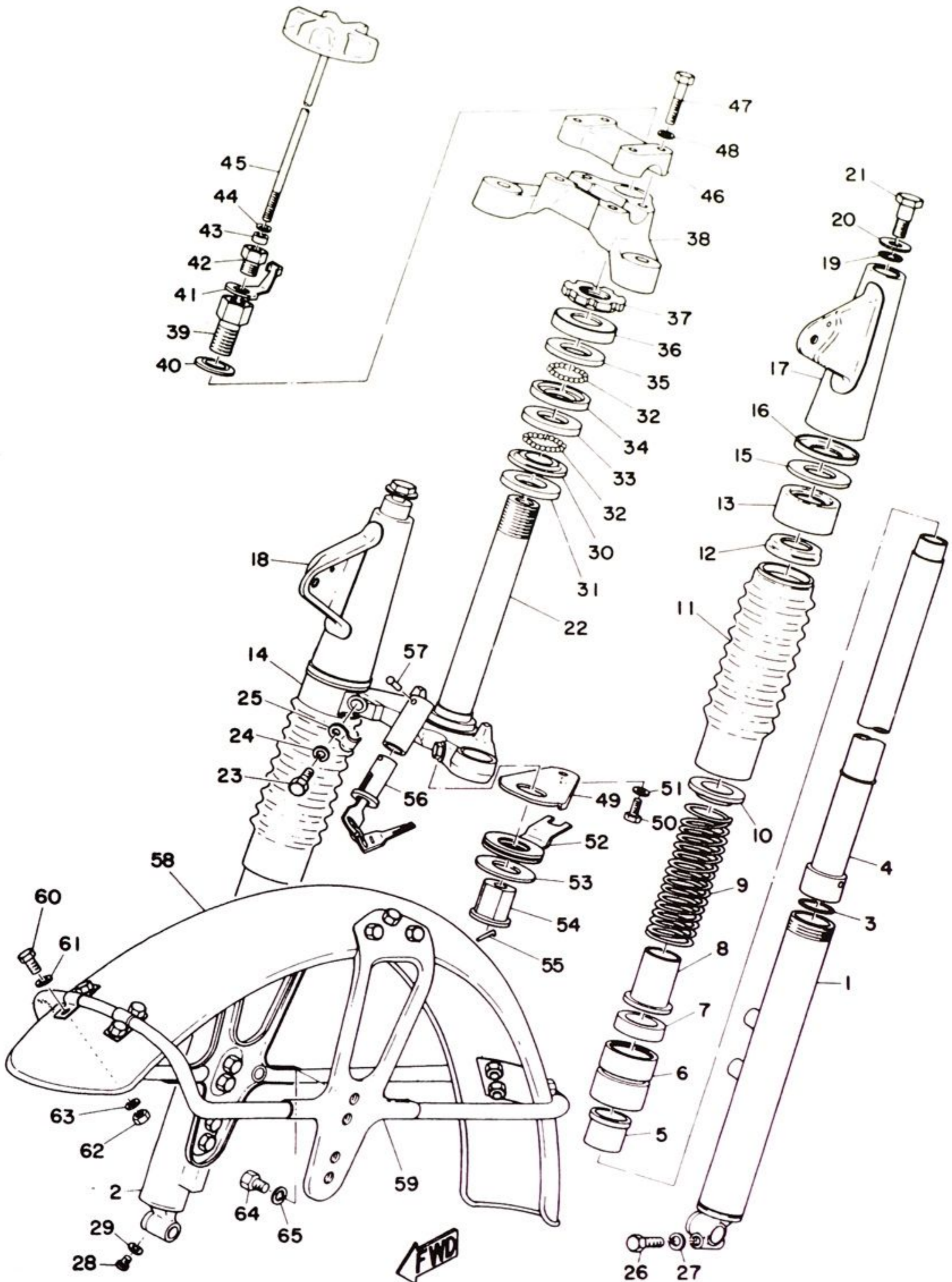


FRONT FORK & FRONT FENDER

Dessa delar passar till modell AS-2C

Ref No.	Parts No.	Parts Name	Description	Q'ty	S·R	Remarks
16- 0-1	183-23100-40-62	FRONT FORK ASS'Y		1		Adrian Blue
	183-23100-40-65	FRONT FORK ASS'Y		1		Californian Orange
16- 1	183-23126-00	. TUBE, outer (L.H)		1		
16- 2	183-23136-00	. TUBE, outer (R.H)		1		
16- 3	164-23147-00	. O-RING		2		
16- 4	183-23124-00	. TUBE, inner		2		
16- 5	164-23125-00	. METAL, slide		2		
16- 6	183-23127-40	. NUT, outer		2		
16- 7	164-23145-00	. . OIL SEAL		2		
16- 8	164-23143-00	. SEAT, spring under		2		
16- 9	183-23141-10	. SPRING, fork		2		
16-10	167-23142-00	. SEAT, spring upper		2		
16-11	183-23191-40	. BOOT		2		
16-12	183-23193-40	. GUIDE, boot		2		
16-13	183-23122-40	. COVER, outer		1		
16-14	183-23122-40	. COVER, outer		1		
16-15	183-23163-00	. PACKING		2		
16-16	183-23116-00	. GUIDE, cover under		2		
16-17	183-23121-00-62	. COVER, upper (L.H)		1		Adrian Blue
	183-23121-00-65	. COVER, upper (L.H)		1		Californian Orange
16-18	183-23131-00-62	. COVER, upper (R.H)		1		Adrian Blue
	183-23131-00-65	. COVER, upper (R.H)		1		Californian Orange
16-19	122-23114-00	. PACKING		2		
16-20	183-23112-00	. WASHER, cap		2		
16-21	183-23111-00	. BOLT, cap		2		
16-22	183-23340-00-33	. UNDER BRACKET COMP.		1		
16-23	137-23346-00	. BOLT, under bracket		2		
16-24	92901-10100	. WASHER, spring		2		
16-25	183-23318-00	. HOLDER, wire		1		
16-26	97201-08025	. BOLT		1		
16-27	92901-08100	. WASHER, spring		1		
16-28	98501-04008	. SCREW, pan head		2		
16-29	122-23129-00	. GASKET, drain plug		2		
16-30	156-23411-00	. RACE, ball 1		1		
16-31	164-23462-00	SEAL, dust		1		
16-32	93501-04004	BALL	1/4"	38		
16-33	156-23412-00	RACE, ball 2		1		
16-34	183-23412-00	RACE, ball 2		1		

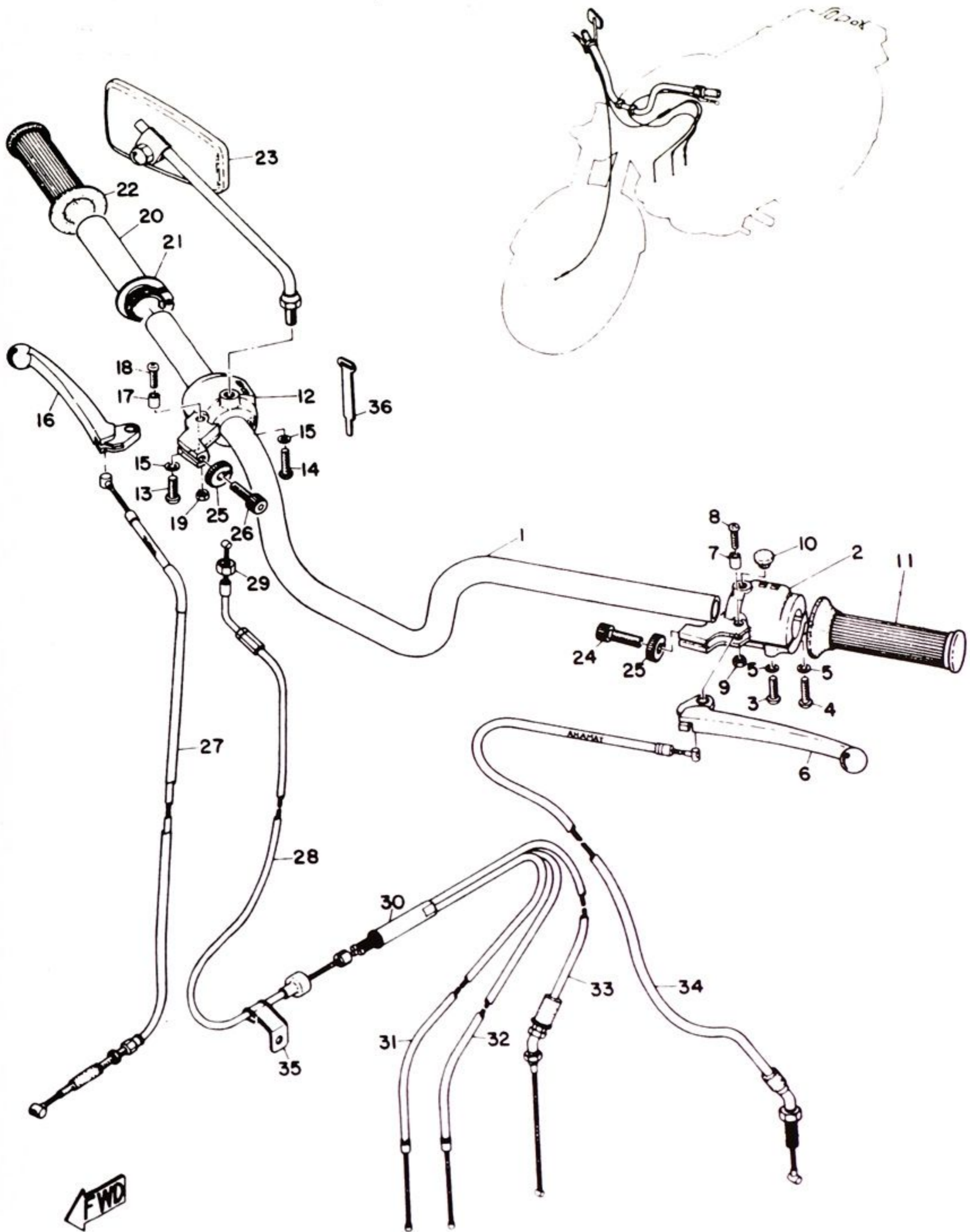
Fig. 16 FRONT FORK & FRONT FENDER



FRONT FORK & FRONT FENDER

Ref No.	Parts No.	Parts Name	Description	Qty	S-R	Remarks
16-35	183-23411-00	RACE, ball 1		1		
16-36	136-23415-00	COVER, ball race		1		
16-37	137-23454-00	NUT, fitting		1		
16-38	183-23435-00	CROWN, handle		1		
16-39	245-23451-00	BOLT, fitting		1		
16-40	245-23443-00	WASHER, crown		1		
16-41	174-23428-00	SPRING, damper		1		
16-42	174-23424-00	GUIDE, damper		1		
16-43	141-23427-00	DAMPER		1		
16-44	156-23418-00	WASHER, special		1		
16-45	183-23419-00	SHAFT, damper		1		
16-46	164-23441-00	HOLDER, handle upper		1		
16-47	97204-08035	BOLT		4		
16-48	92901-08100	WASHER, spring		4		
16-49	174-23421-00	PLATE, damper 1		1		
16-50	91101-06010	BOLT		1		
16-51	92901-06100	WASHER, spring		1		
16-52	183-23422-00	PLATE, damper 2		1		
16-53	174-23425-00	DAMPER, friction		1		
16-54	174-23453-00	NUT, fitting		1		
16-55	156-83525-00	CLIP		1		
16-56	122-23480-00	STEERING LOCK ASS'Y		1		
16-57	122-23483-00	RIVET		1		
16- 0-2	242-21500-00	FRONT FENDER ASS'Y		1		
16-58	242-21510-00	. FRONT FENDER COMP		1		
16-59	242-21513-00	. STAY, fender		1		
16-60	91204-06012	. BOLT		14		
16-61	92904-06200	. WASHER, spring		14		
16-62	92801-06300	. NUT		14		
16-63	92901-06100	. WASHER, spring		14		
16-64	97201-08010	BOLT		4		
16-65	92901-08100	WASHER, spring		4		
16- 0-1	183-23100-40-63	FRONT FORK ASS'Y		1		Brilliant Red
16-17	183-23121-00-63	. COVER, upper (L.H)		1		Brilliant Red
16-18	183-23131-00-63	. COVER, upper (R.H)		1		Brilliant Red

Fig. 17 HANDLE & WIRE

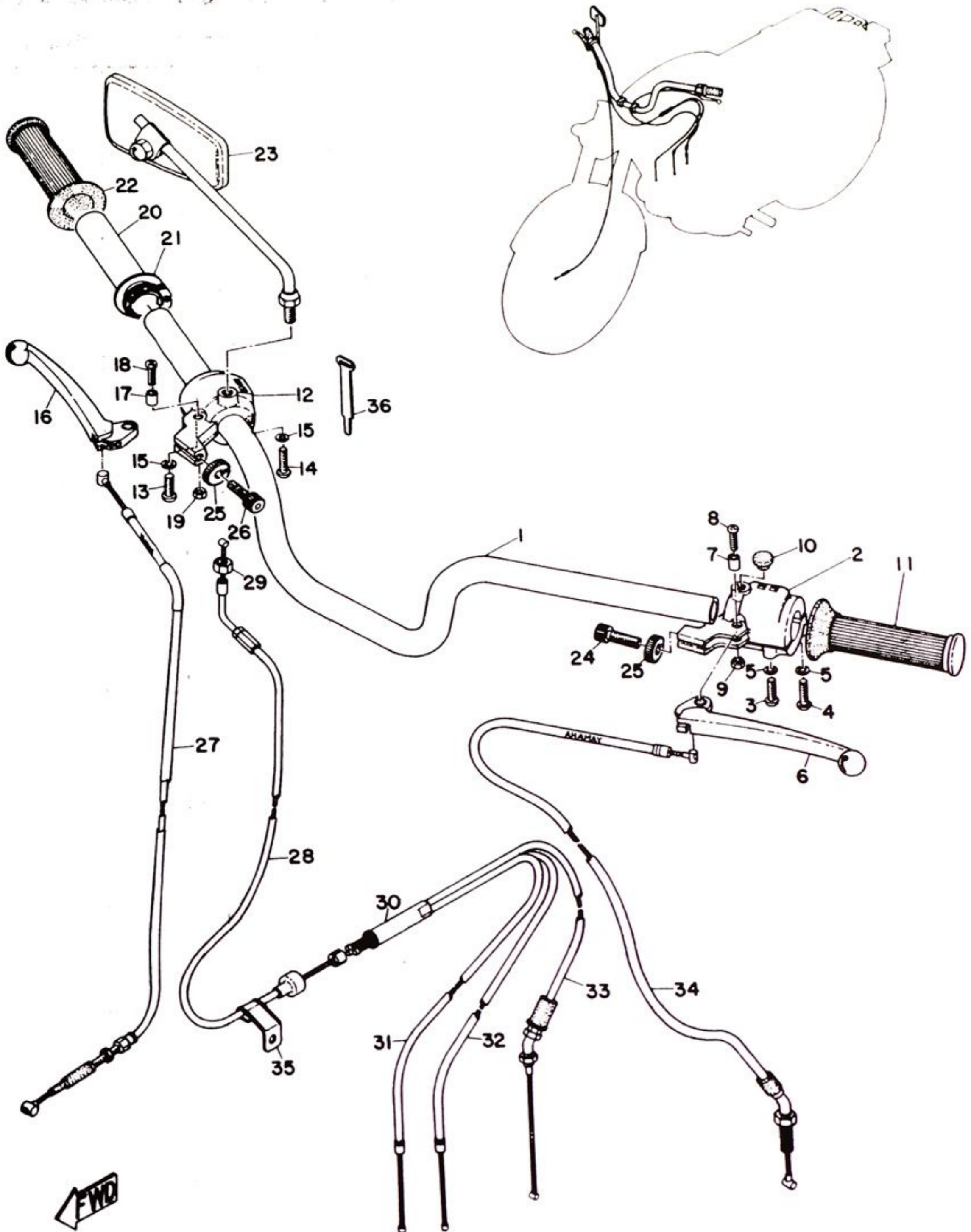


HANDLE & WIRE

Dessa delar passar till modell AS-1

Ref No.	Parts No.	Parts Name	Description	Q'ty		S·R	Remarks
				YAS1	YASIC		
17- 1	183-26111-00	HANDLE	STD.	1			
	183-26111-10	HANDLE	UP	1			
	183-26111-20	HANDLE	BAR	1			
	157-26111-00	HANDLE			1		
17- 2	183-82910-00	LEVER HOLDER ASS'Y (L.H)	STD.	1			
	183-82910-10	LEVER HOLDER ASS'Y (L.H)	UP	1			
	183-82910-20	LEVER HOLDER ASS'Y (L.H)	BAR	1			
	218-82910-00	LEVER HOLDER ASS'Y (L.H)			1		
17- 3	92501-05020	. SCREW, pan head		1	1		
17- 4	92501-05024	. SCREW, pan head		2	2		
17- 5	92901-05100	. WASHER, spring		3	3		
17- 6	137-83912-01	. LEVER (L.H)		1			
	150-83912-00	. LEVER (L.H)			1		
17- 7	137-83913-00	. COLLAR		1			
17- 8	92503-06020	. SCREW, pan head		1			
	152-83915-00	. SCREW, lever			1		
17- 9	92801-06300	. NUT		1	1		
17-10	116-83931-00	PLUG, blind		1			
17-11	136-26241-00	GRIP (L.H)		1			
	156-26241-00	GRIP (L.H)			1		
17-12	183-82920-00	LEVER HOLDER ASS'Y (R.H)	STD.	1			
	183-82920-10	LEVER HOLDER ASS'Y (R.H)	UP	1			
	183-82920-20	LEVER HOLDER ASS'Y (R.H)	BAR	1			
	218-82920-00	LEVER HOLDER ASS'Y (R.H)			1		
17-13	92501-05020	. SCREW, pan head		1	1		
17-14	92501-05024	. SCREW, pan head		2	2		
17-15	92901-05100	. WASHER, spring		3	3		
17-16	137-83922-01	. LEVER (R.H)		1			
	150-83922-00	. LEVER (R.H)			1		
17-17	137-83913-00	. COLLAR		1			
17-18	92503-06020	. SCREW, pan head		1			
	152-83915-00	. SCREW, lever			1		
17-19	92801-06300	. NUT		1	1		
17-20	137-26243-60	TUBE, guide		1			
	156-26243-02	TUBE, guide			1		
17-21	150-26249-00	RING, leaf		1	1		
17-22	137-26242-60	GRIP (R.H)		1			
	156-26242-00	GRIP (R.H)			1		

Fig. 17 HANDLE & WIRE

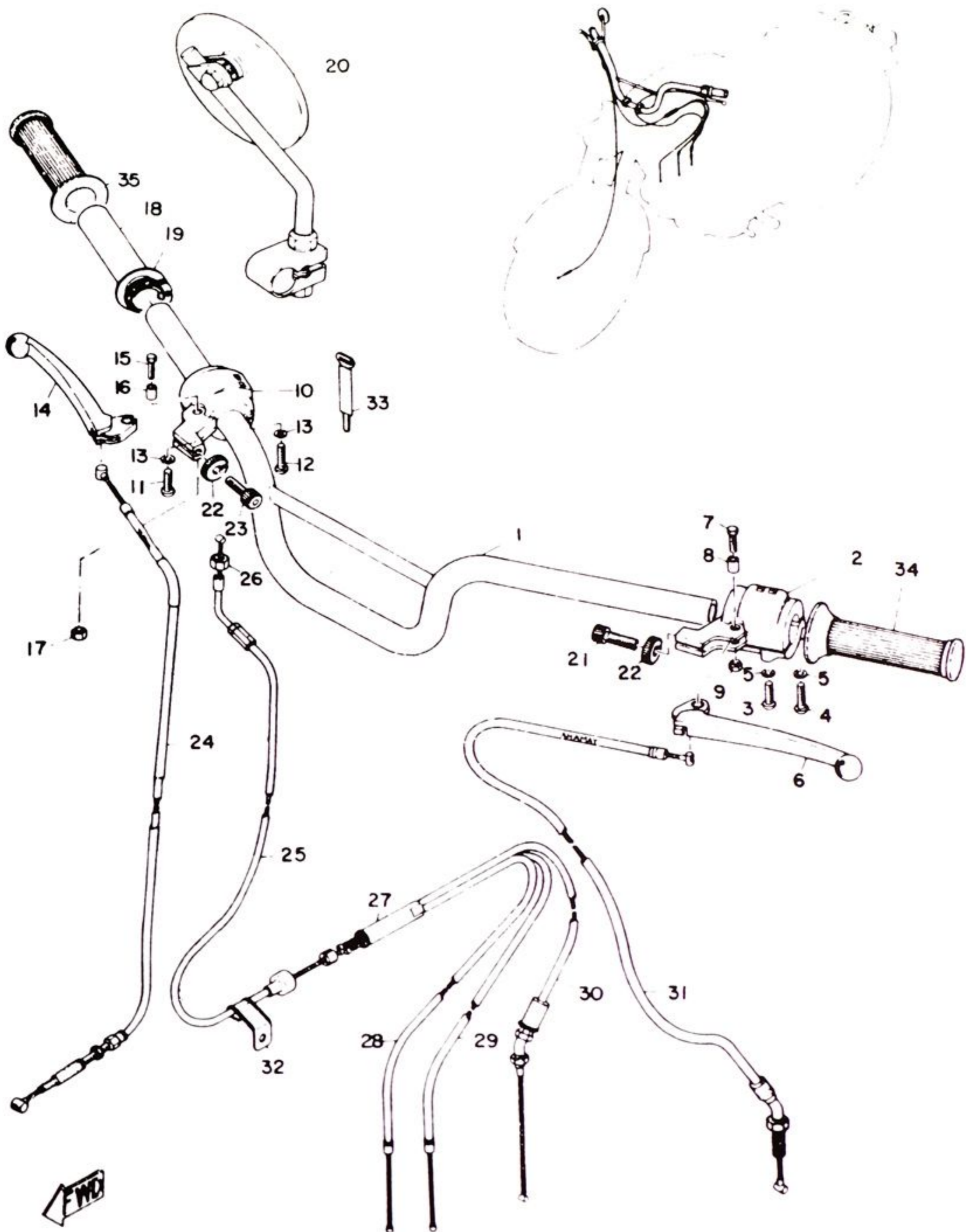


HANDLE & WIRE

Dessa delar passar endast till modell AS-1

Ref No.	Parts No.	Parts Name	Description	Q'ty		S-R	Remarks
				YAS1	YAS1C		
17-23	137-26290-01	BACK MIRROR ASS'Y		1			
	152-26290-00	BACK MIRROR ASS'Y			1		
17-24	168-26337-00	BOLT, wire adjusting		1	1		
17-25	168-26344-00	NUT, wire adjusting		2	2		
17-26	156-26346-00	BOLT, wire adjusting		1	1		
17-27	183-26341-00	WIRE, brake	STD.	1			
	183-26341-10	WIRE, brake	UP	1			
	183-26341-20	WIRE, brake	BAR	1			
	218-26341-00	WIRE, brake			1		
17-28	183-26311-00	WIRE, throttle 1	STD.	1			
	183-26311-10	WIRE, throttle 1	UP	1			
	183-26311-20	WIRE, throttle 1	BAR	1			
	218-26311-00	WIRE, throttle 1			1		
17-29	156-26251-00	NUT, adjusting		1	1		
17-30	156-26261-01	CYLINDER		1	1		
17-31	183-26312-00	WIRE, throttle 2	205	1	1		
17-32	183-26313-00	WIRE, throttle 3	220	1	1		
17-33	183-26321-00	WIRE, pump		1			
	218-26321-00	WIRE, pump			1		
17-34	183-26335-00	WIRE, clutch	STD.	1			
	183-26335-10	WIRE, clutch	UP	1			
	183-26335-20	WIRE, clutch	BAR	1			
	218-26335-00	WIRE, clutch			1		
17-35	183-26278-00	CLIP, wire		1	1		
17-36	168-83936-00	BAND, switch cord			2		

Fig. 17 HANDLE & WIRE

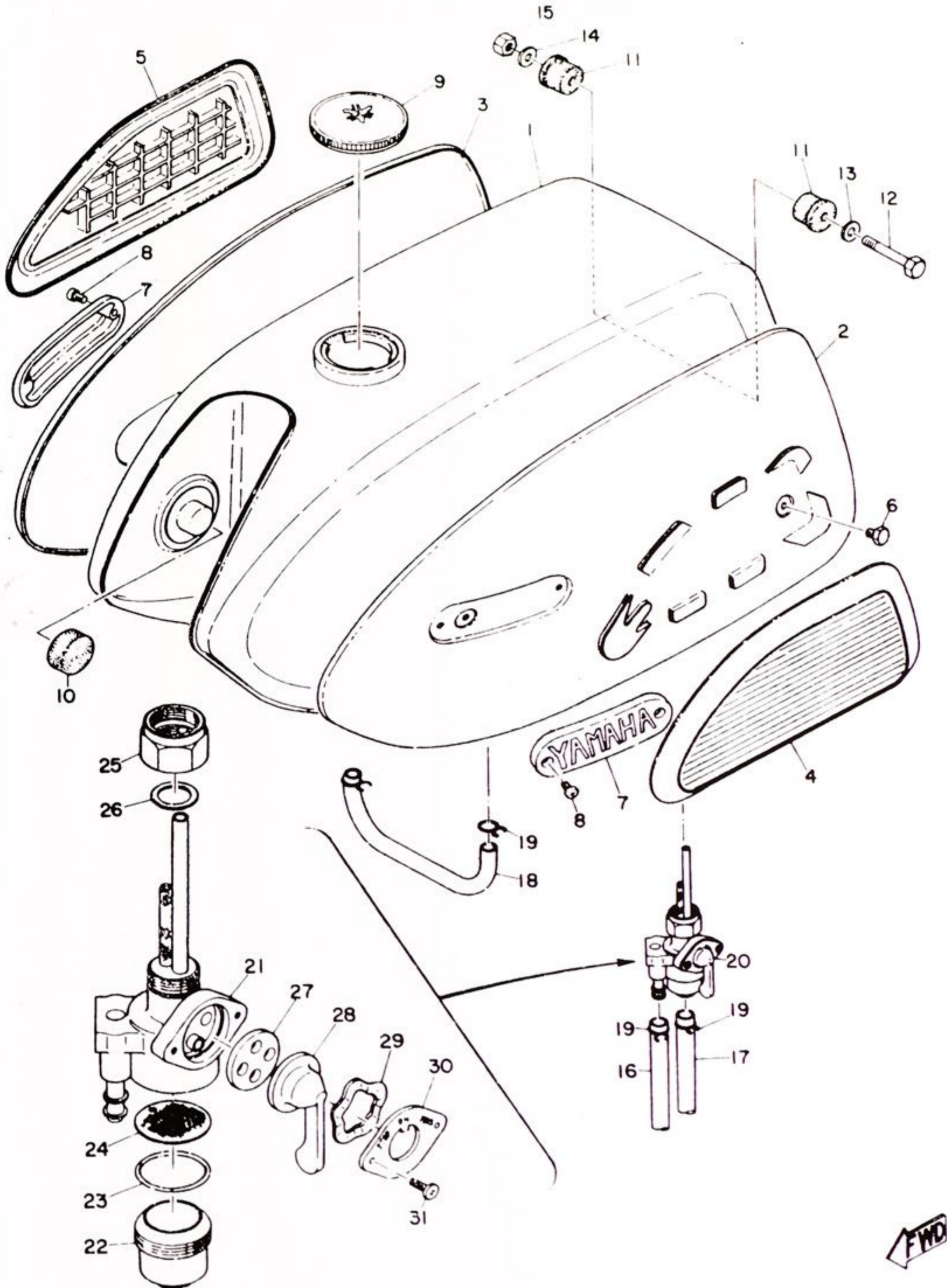


HANDLE & WIRE

Dessa delar passar endast till mod AS-2C

Ref No.	Parts No.	Parts Name	Description	Qty	S-R	Remarks
17- 1	157-26111-00	HANDLE		1		
17- 2	218-82910-00	LEVER HOLDER ASS'Y (L.H)		1		
17- 3	98501-05020	. SCREW, pan head		1		
17- 4	98501-05024	. SCREW, pan head		2		
17- 5	92901-05100	. WASHER, spring		3		
17- 6	150-83912-00	. LEVER (L.H)		1		
17- 7	91203-06020	. BOLT		1		
17- 8	168-83913-00	. COLLAR, lever		1		
17- 9	92801-06300	. NUT		1		
17-10	218-82920-00	LEVER HOLDER ASS'Y (R.H)		1		
17-11	98501-05020	. SCREW, pan head		1		
17-12	98501-05024	. SCREW, pan head		2		
17-13	92901-05100	. WASHER, spring		3		
17-14	150-83922-00	. LEVER (R.H)		1		
17-15	91203-06020	. BOLT		1		
17-16	168-83913-00	. COLLAR, lever		1		
17-17	92801-06300	. NUT		1		
17-18	156-26243-02	TUBE, guide		1		
17-19	150-26249-00	RING, leaf		1		
17-20	169-26290-00	BACK MIRROR ASS'Y		1		
17-21	168-26337-00	BOLT, wire adjusting		1		
17-22	168-26344-00	NUT, wire adjusting		2		
17-23	156-26346-00	BOLT, wire adjusting		1		
17-24	241-26341-40	WIRE, brake		1		
17-25	218-26311-00	WIRE, throttle 1		1		
17-26	169-26251-00	NUT, adjusting		1		
17-27	156-26261-01	CYLINDER		1		
17-28	183-26312-00	WIRE, throttle 2	205¢	1		
17-29	183-26313-00	WIRE, throttle 3	220¢	1		
17-30	218-26321-00	WIRE, pump		1		
17-31	218-26335-00	WIRE, clutch		1		
17-32	183-26278-00	CLIP, wire		1		
17-33	168-83936-00	BAND, switch cord		2		
17-34	156-26241-00	GRIP (L.H)		1		
17-35	156-26242-00	GRIP (R.H)		1		

Fig. 18 FUEL TANK

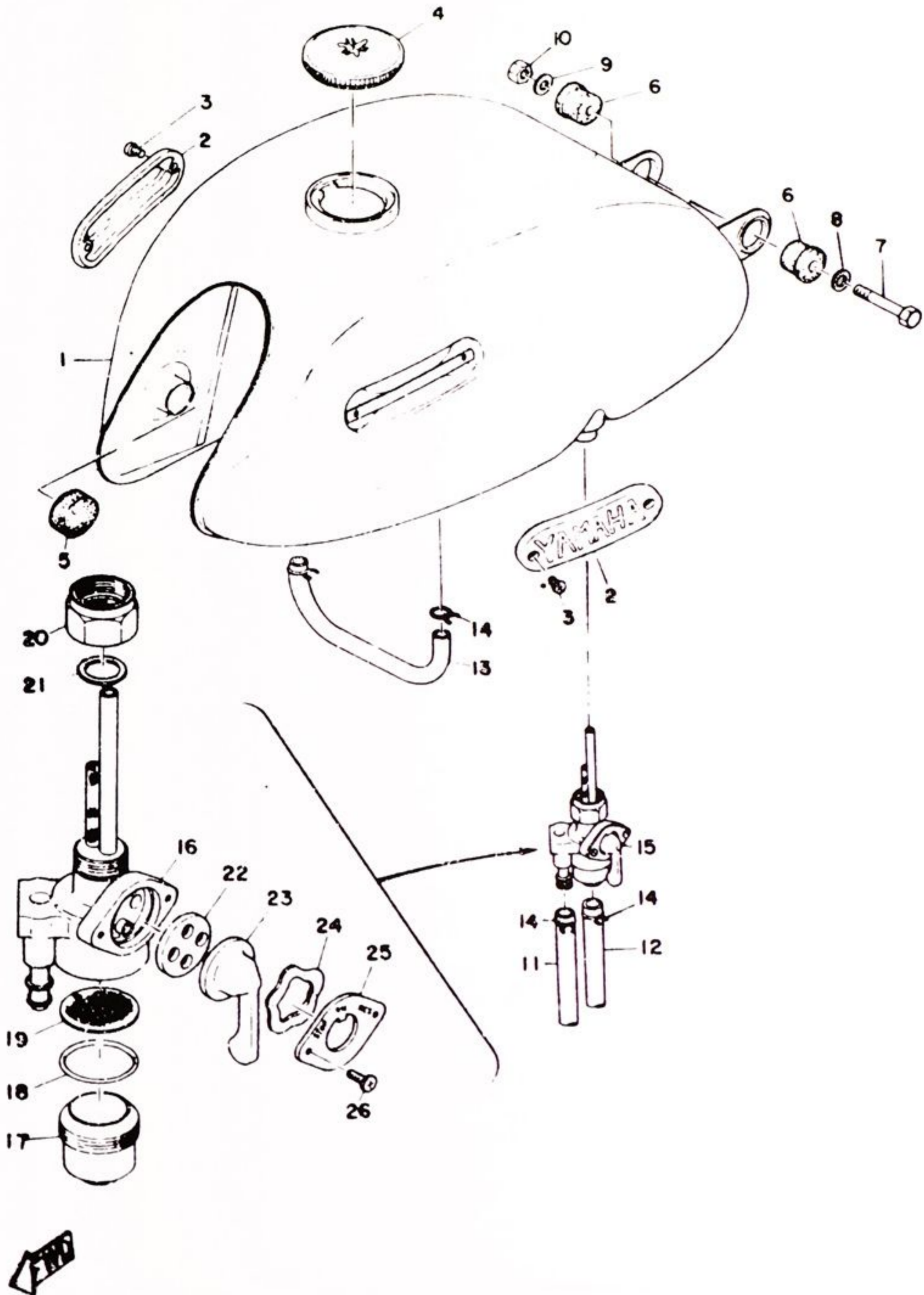


FUEL TANK

Dessa delar passar endast till mod AS-1

Ref No.	Parts No.	Parts Name	Description	Q'ty		S-R	Remarks
				YAS1	YAS1C		
18- 1	183-24110-00	FUEL TANK COMP.		1	1		•
18- 2	183-24129-00	COVER, side (L.H)		1	1		•
18- 3	183-24139-00	COVER, side (R.H)		1	1		•
18- 4	183-24171-00	GRIP, knee (L.H)		1	1		
18- 5	183-24172-00	GRIP, knee (R.H)		1	1		
18- 6	168-24178-00	BOLT, cover fitting		4	4		
18- 7	132-24161-00	EMBLEM		2	2		
18- 8	92501-04008	SCREW, pan head		4	4		
18- 9	122-24610-01	CAP ASS'Y		1	1		
18-10	122-24181-00	DAMPER, locating 1		2	2		
18-11	137-24181-00	DAMPER, tank locating		2	2		
18-12	168-24176-00	BOLT, tank fitting →		1	1		
18-13	137-24186-00	WASHER, special 8.5	8.5-23-2.0	1	1		
18-14	137-24187-00	WASHER, special 6.5	6.5-23-2.0	1	1		
18-15	92801-06100	NUT		1	1		
18-16	132-24311-00	PIPE, fuel		1	1		
18-17	132-24331-00	PIPE, level (fuel pipe)		1	1		
18-18	137-24331-00	PIPE, level		1	1		
18-19	101-24356-00	CLIP, pipe		6	6		
18-20	132-24500-01	FUEL COCK ASS Y		1	1		
18-21	132-24511-01	. BODY, fuel cock		1	1		
18-22	132-24521-00	. CUP, filter		1	1		
18-23	132-24522-00	. GASKET, filter		1	1		
18-24	132-24515-00	. NET, filter		1	1		
18-25	132-24531-00	. NUT		1	1		
18-26	132-24532-00	. GASKET, nut		1	1		
18-27	137-24523-00	. VALVE		1	1		
18-28	168-24524-00	. LEVER, cock		1	1		
18-29	132-24518-00	. WASHER, wave		1	1		
18-30	132-24525-00	. PLATE, lever fitting		1	1		
18-31	92501-03006	. SCREW, pan head		2	2		

Fig. 18 FUEL TANK

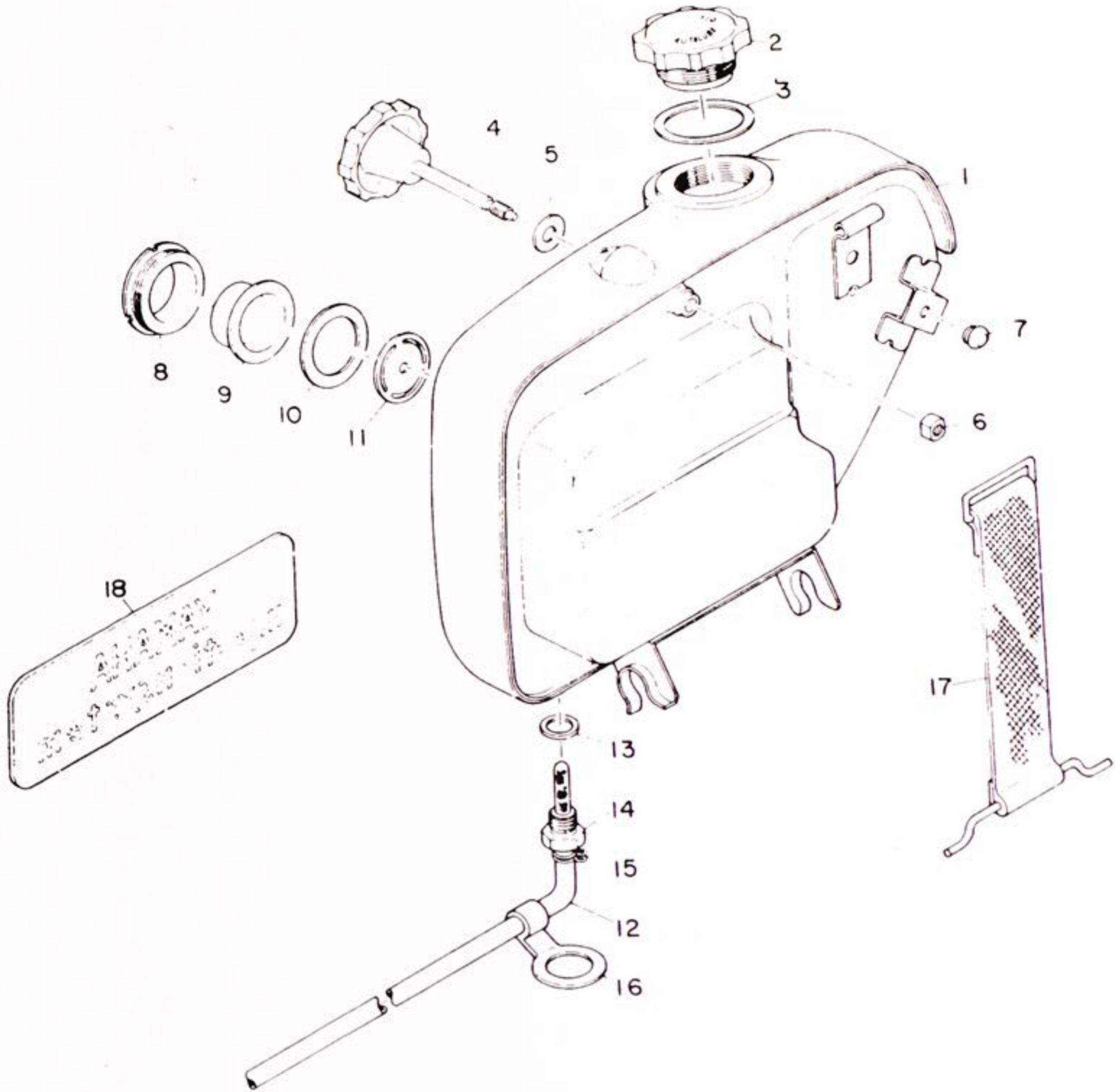


FUEL TANK

Dessa delar passar endast till mod AS-2C

Ref No.	Parts No.	Parts Name	Description	Qty	S-R	Remarks
18- 1	245-24110-00-01	FUEL TANK COMP.		1		California Orange
	245-24110-00-02	FUEL TANK COMP.		1		Adrian Blue
18- 2	132-24161-00	EMBLEM		2		
18- 3	98501-04008	SCREW, pan head		4		
18- 4	122-24610-01	CAP ASS'Y		1		
18- 5	122-24181-00	DAMPER, locating 1		2		
18- 6	137-28181-00	DAMPER, tank locating		2		
18- 7	168-24176-00	BOLT, tank fitting		1		
18- 8	137-24186-00	WASHER, special 8.5	8.5-23-2.0	1		
18- 9	137-24187-00	WASHER, special 6.5	6.5-23-2.0	1		
18-10	92801-06100	NUT		1		
18-11	132-24311-00	PIPE, fuel		1		
18-12	132-24331-00	PIPE, level (fuel pipe)		1		
18-13	137-24331-00	PIPE, level		1		
18-14	101-24356-00	CLIP, pipe		6		
18-15	132-24500-02	FUEL COCK ASS'Y		1		
18-16	132-24511-02	. BODY, fuel cock		1		
18-17	132-24521-00	. CUP, filter		1		
18-18	132-24522-00	. GASKET, filter		1		
18-19	132-24515-00	. NET, filter		1		
18-20	132-24531-00	. NUT		1		
18-21	132-24532-00	. GASKET, nut		1		
18-22	137-24523-00	. VALVE		1		
18-23	168-24524-00	. LEVER, cock		1		
18-24	132-24518-00	. WASHER, wave		1		
18-25	132-24525-00	. PLATE, lever fitting		1		
18-26	98501-03006	. SCREW, pan head		2		
18- 1	245-24110-00-03	FUEL TANK COMP.		1		Brilliant Red

Fig. 19 OIL TANK

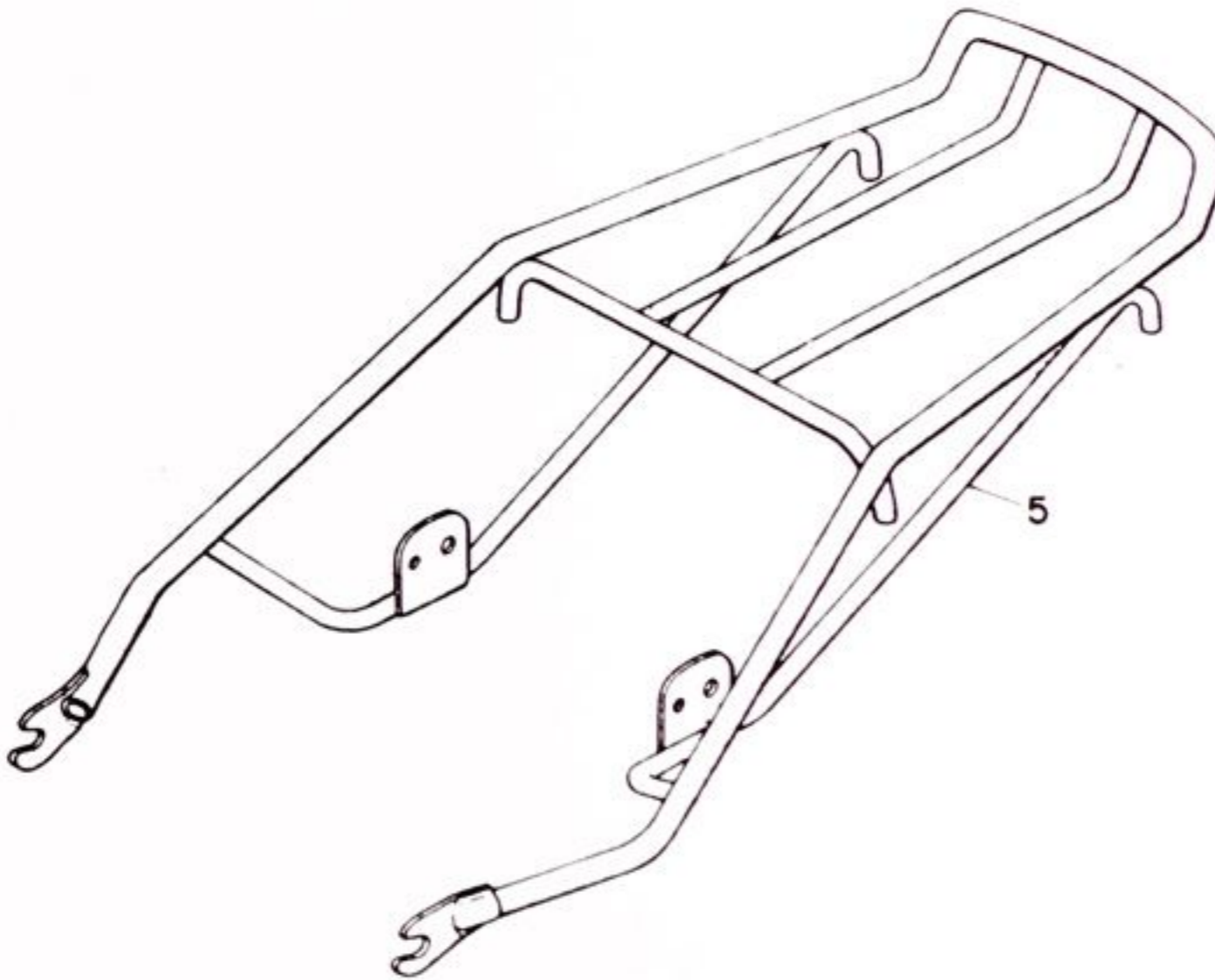
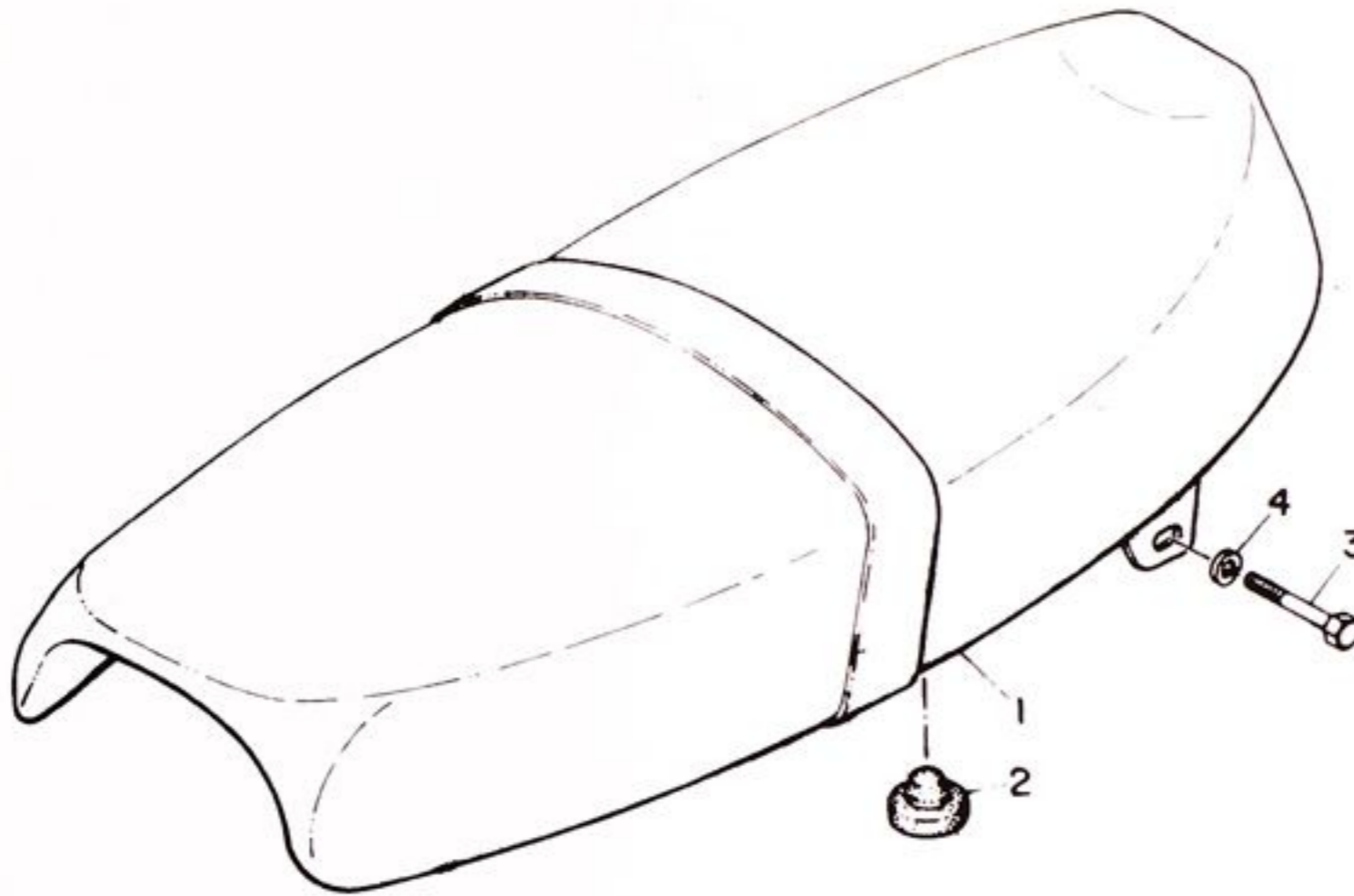


OIL TANK

Dessa delar passar till modellerna AS-1, AS-2C och AS-2J

Ref No.	Parts No.	Parts Name	Description	Q'ty		S-R	Remarks
				YAS1	YAS1C		
19- 1	183-21751-00	TANK, oil		1	1		●
19- 2	183-21770-10	OIL TANK CAP ASS'Y		1	1		
19- 3	214-21772-00	. GASKET, cap		1	1		
19- 4	183-21714-00	KNOB, side cover		1	1		
19- 5	122-21725-00	WASHER, side cover (R.H)	7-16-1	1	1		
19- 6	136-21713-00	NUT, latch clamp		1	1		
19- 7	137-21778-00	DAMPER, oil tank		1	1		
19- 8	137-21762-00	NUT, level gauge		1	1		
19- 9	137-21764-00	LENS, level gauge		1	1		
19-10	137-21763-00	GASKET, level gauge		1	1		
19-11	137-21761-00	GAUGE, level		1	1		
19-12	132-24319-01	PIPE, oil		1	1		
19-13	137-21767-00	GASKET, union	10.2-15-1.5	1	1		
19-14	137-21768-01	SCREW, union		1	1		
19-15	101-24356-00	CLIP, pipe		2	2		
19-16	183-24369-00	CLAMP, pipe		1	1		
19-17	174-21776-00	BAND, tank fitting		1	1		
19-18	137-21781-00	EMBLEM, autolube		1	1		
19-19	117-21782-00	EMBLEM, injection		1	1		
		<u>Observera</u>					
		Oljetank till AS-2C och AS-2J har följande nummer:					
19-1	183-21751-00-01	TANK, oil	Calif. orange				AS-2C /AS-2J
19-1	183-21751-00-02	TANK, oil	Adrian Blue				AS-2C /AS-2J
19-1	183-21751-00-03	TANK, oil	Brilliant red				AS-2C

Fig. 20 SEAT & CARRIER



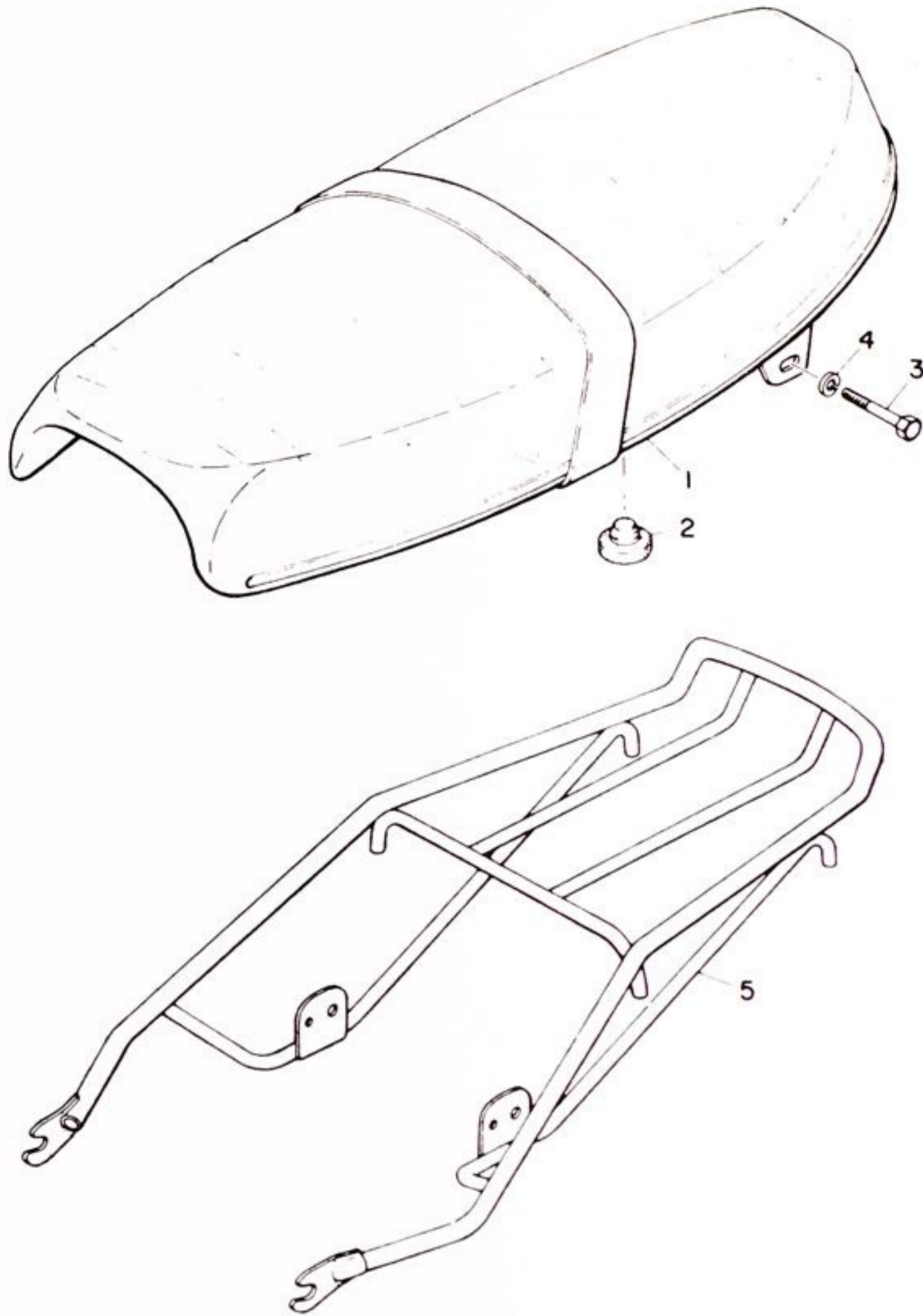


SEAT & CARRIER

Dessa delar passar till modell AS-1

Ref No.	Parts No.	Parts Name	Description	Q'ty		S·R	Remarks
				YAS1	YASIC		
20- 1	183-24730-00	DOUBLE SEAT ASS'Y		1	1		
20- 1-1	183-24731-00	. COVER, double seat		1	1		
20- 2	174-24741-00	PAD, seat		2	2		
20- 3	91201-08050	BOLT		2	2		
20- 4	92901-08100	WASHER, spring		2	2		
ALTERNATE PARTS							
20- 5	183-24830-00	SUB CARRIER ASS'Y		1	1		

Fig. 20 SEAT & CARRIER



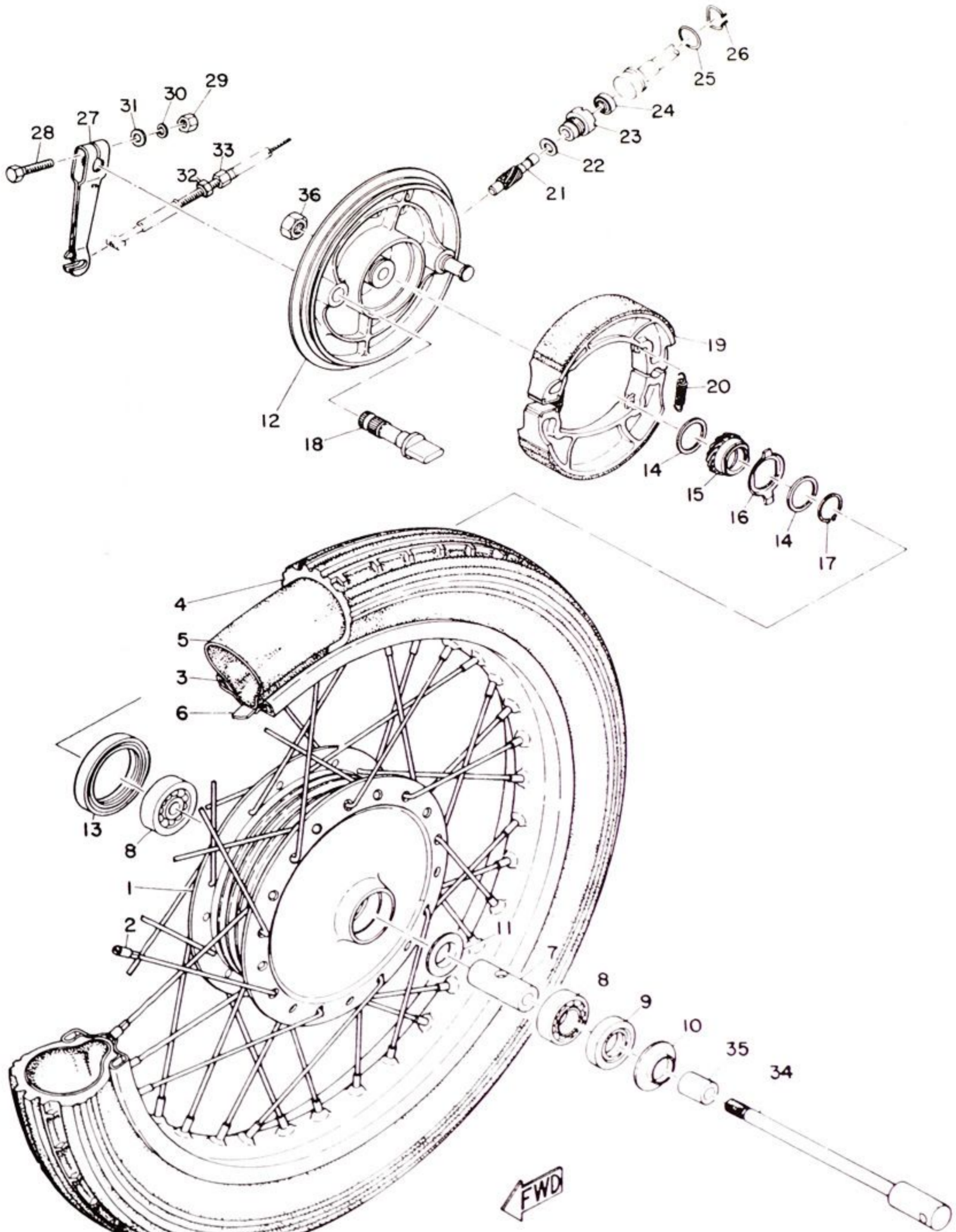


SEAT & CARRIER

Dessa delar passar till modellerna AS-2C och AS-2J

Ref No.	Parts No.	Parts Name	Description	Q'ty	S·R	Remarks
20- 1	245-24730-00	DOUBLE SEAT ASS'Y		1		
20- 1-1	245-24731-00	. COVER, double seat		1		
20- 2	174-24741-00	. PAD, seat		2		
20- 3	97201-08050	BOLT		2		
20- 4	92901-08100	WASHER, spring		2		
		ALTERNATE PARTS				
20- 5	183-24830-00	SUB CARRIER ASS'Y		1		

Fig. 21 FRONT WHEEL

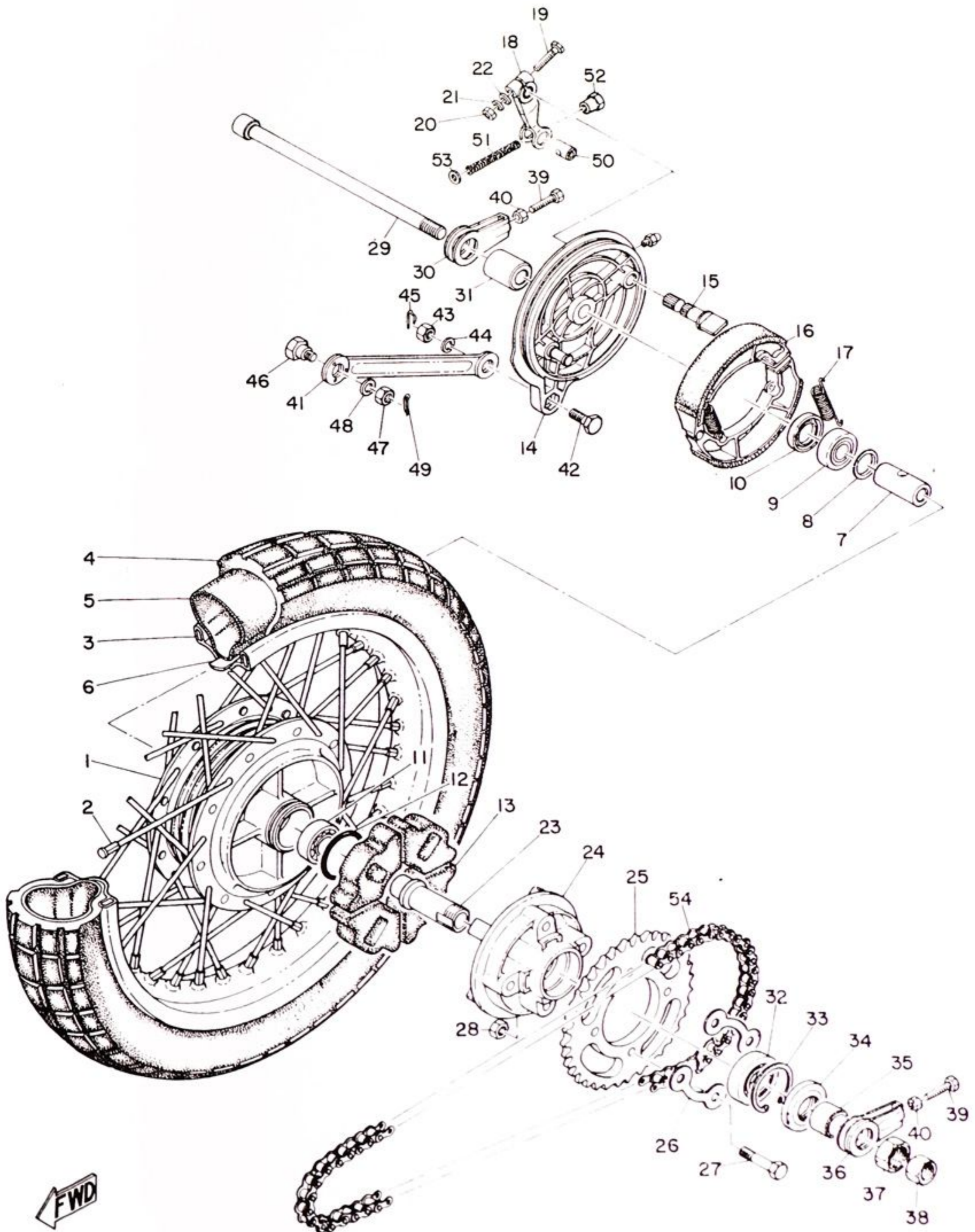


FRONT WHEEL

Dessa delar passar till mod AS-1 och AS-2C

Ref No.	Parts No.	Parts Name	Description	Q'ty		S-R	Remarks
				YAS1	YASIC		
21- 1	183-25111-00	HUB, front		1	1		
21- 2	183-25104-00	SPOKE, set		1s	1s		
21- 3	94414-18034	RIM	1.40-18	1	1		
21- 4	94125-18019	TIRE, front	2.50-18-4PR	1			
	94125-18020	TIRE, front	2.50-18-4PR		1		
21- 5	94225-18006	TUBE	2.50-18	1	1		
21- 6	94325-18005	BAND, rim	2.50-18	1	1		
21- 7	183-25117-00	SPACER, bearing		1	1		
21- 8	93306-30102	BEARING	6301RS	2	2		☆
21- 9	93102-18008	OIL SEAL	SD-18-37-8	1	1		
21-10	183-25118-00	COVER, hub dust		1	1		
21-11	102-25315-00	FLANGE, spacer		1	1		
21-12	183-25121-00	PLATE, brake shoe		1	1		
21-13	93105-47007	OIL SEAL	SDD-47-58-7	1	1		
21-14	183-25147-00	WASHER, thrust 2	20.5-26-1	2	2		
21-15	183-25135-00	GEAR, drive		1	1		
21-16	183-25149-00	CLUTCH, meter		1	1		
21-17	93410-20009	CIRCLIP	S20	1	1		
21-18	183-25351-00	CAM SHAFT		1	1		
21-19	183-25330-00	BRAKE SHOE COMP.		2	2		
21-20	183-25333-00	SPRING, return		2	2		
21-21	183-25138-00	GEAR, meter		1	1		
21-22	183-25146-00	WASHER, thrust 1	7-12-0.8	1	1		
21-23	109-25136-00	BUSHING		1	1		
21-24	93104-07003	OIL SEAL	SO-7-14-4	1	1		
21-25	93210-13017	O-RING	2.4-13.4	1	1		
21-26	102-25137-00	RING, stop		1	1		
21-27	137-25155-00	LEVER, cam shaft		1	1		
21-28	91201-06030	BOLT		1	1		
21-29	92801-06100	NUT		1	1		
21-30	92901-06100	WASHER, spring		1	1		
21-31	92901-06200	WASHER, plain		1	1		
21-32	109-26344-00	NUT, wire adjusting		1	1		
21-33	109-26345-00	BOLT, wire adjusting		1	1		
21-34	183-25181-00	SHAFT, wheel		1	1		
21-35	183-25183-00	COLLAR, wheel shaft	12-18-16	1	1		
21-36	92801-12200	NUT		1	1		

Fig. 22 REAR WHEEL

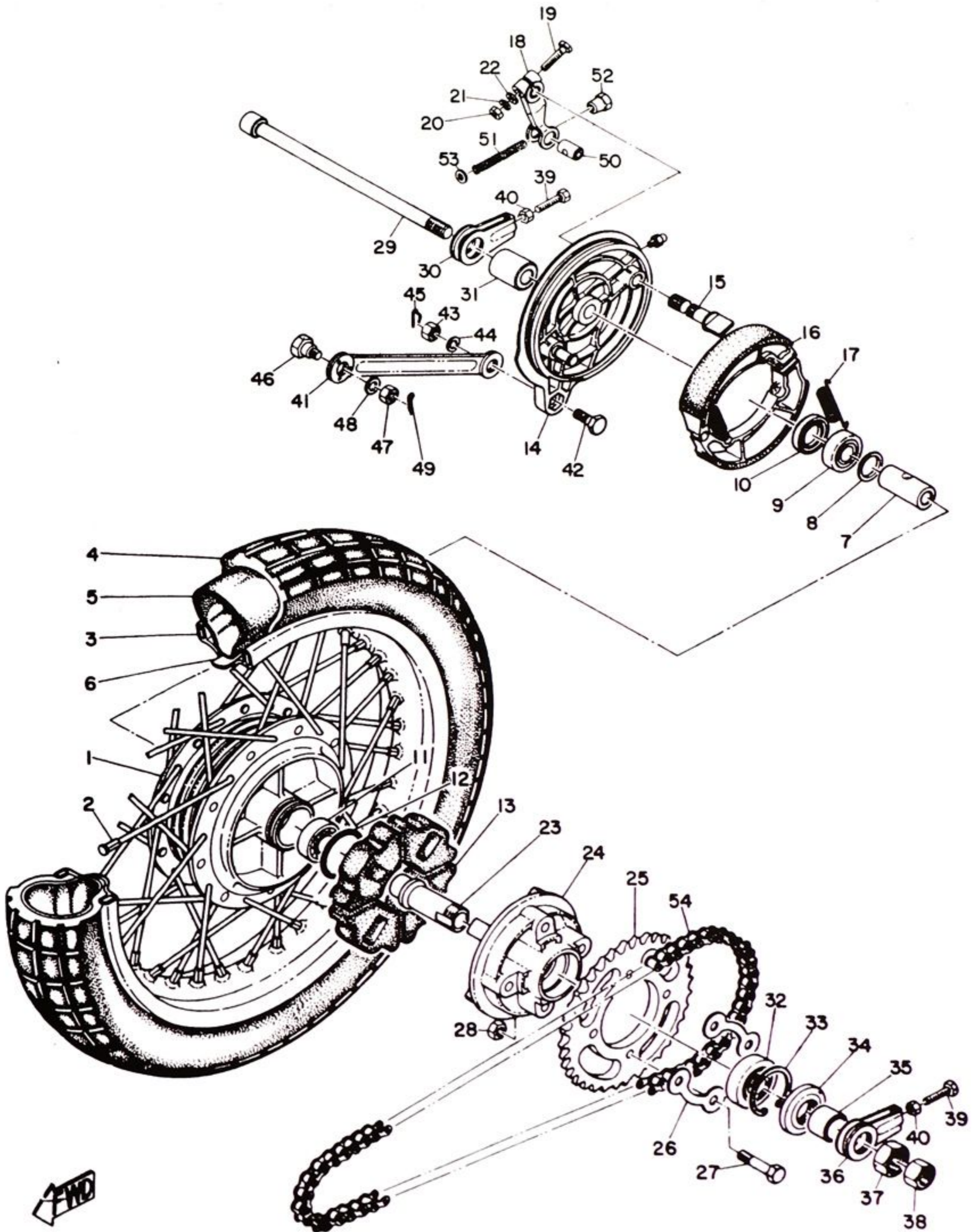


REAR WHEEL

Dessa delar passar till mod AS-1, AS-2C och AS-2J

Ref No.	Parts No.	Parts Name	Description	Q'ty		S·R	Remarks
				YAS1	YASIC		
22- 1	183-25311-00	HUB, rear		1	1		
22- 2	183-25304-00	SPOKE SET		1s	1s		
22- 3	94416-18018	RIM	1.60A-18	1	1		
22- 4	94127-18064	TIRE, rear	2.75-18-4PR	1			
	94127-18025	TIRE, rear	2.75-18-4PR		1		
22- 5	94227-18009	TUBE	2.75-18	1	1		
22- 6	94327-18007	BAND, rim	2.75-18	1	1		
22- 7	136-25317-00	SPACER, bearing		1	1		
22- 8	183-25315-00	FLANGE, spacer		1	1		
22- 9	93306-20201	BEARING	6202	1	1		☆
22-10	93104-22018	OIL SEAL	SO-22-35-5	1	1		
22-11	93306-20204	BEARING	6202Z	1	1		☆
22-12	93210-42101	O-RING	2.5-41.7	1	1		
22-13	132-25364-00	DAMPER, clutch		4	4		
22-14	183-25321-00	PLATE, brake shoe		1	1		
22-15	183-25351-00	CAM SHAFT		1	1		
22-16	183-25330-00	BRAKE SHOE COMP.		2	2		
22-17	183-25333-00	SPRING, return		2	2		
22-18	122-25355-00	LEVER, cam shaft		1	1		
22-19	91201-06030	BOLT		1	1		
22-20	92801-06100	NUT		1	1		
22-21	92901-06100	WASHER, spring		1	1		
22-22	92901-06200	WASHER, plain		1	1		
22-23	183-25387-00	SHAFT, sprocket		1	1		
22-24	183-25366-00	CLUTCH, hub		1	1		
22-25	183-25437-10	GEAR, sprocket wheel	37T	1	1		
	183-25439-10	GEAR, sprocket wheel	39T	1	1		
22-26	102-25412-00	WASHER, lock		2	2		
22-27	102-25411-01	BOLT, fitting		4	4		
22-28	92801-08200	NUT		4	4		
22-29	183-25381-00	SHAFT, rear wheel		1	1		
22-30	183-25389-00	PULLER, chain (R. H)		1	1		
22-31	183-25383-00	COLLAR, wheel shaft	15.2-23-38	1	1		
22-32	93306-00406	BEARING	6004Z	1	1		☆
22-33	93420-42007	CIRCLIP	F42	1	1		
22-34	93106-26005	OIL SEAL	DD-26-42-8	1	1		
22-35	183-25386-00	COLLAR, sprocket shaft	20-26-20	1	1		
22-36	183-25388-00	PULLER, chain (L. H)		1	1		

Fig. 22 REAR WHEEL

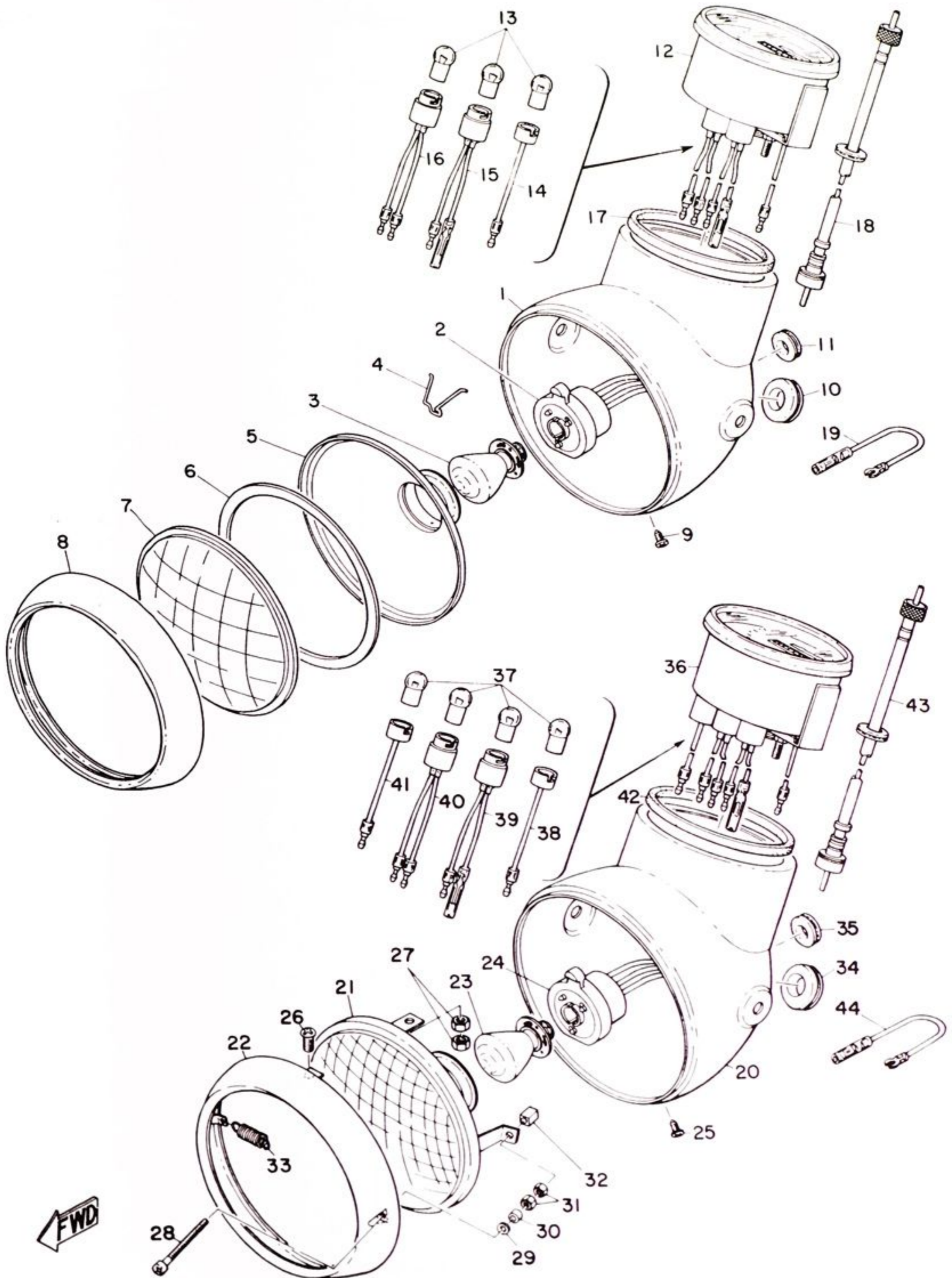


REAR WHEEL

Dessa delar passar till modellerna AS-1, AS-2C och AS-2J

Ref No.	Parts No.	Parts Name	Description	Q'ty		S·R	Remarks
				YAS1	YASIC		
22-37	137-25385-00	NUT, sprocket shaft		1	1		
22-38	92801-14200	NUT		1	1		
22-39	167-25379-00	BOLT, chain puller		2	2		
22-40	92801-06300	NUT		2	2		
22-41	183-25371-00	BAR, tension		1	1		
22-42	109-25373-00	BOLT, tension bar		1	1		
22-43	92801-08300	NUT		1	1		
22-44	92901-08100	WASHER, spring		1	1		
22-45	102-25375-00	CLIP, tension bar		1	1		
22-46	183-25378-00	BOLT, tension bar		1	1		
22-47	92801-08100	NUT		1	1		
22-48	92901-08100	WASHER, spring		1	1		
22-49	91401-20012	PIN, cotter		1	1		
22-50	156-27237-00	PIN, clevis		1	1		
22-51	180-27236-00	SPRING, rod		1	1		
22-52	109-27238-00	NUT, adjusting		1	1		
22-53	92901-06200	WASHER, plain		1	1		
22-54	94504-28104	CHAIN	428-104P	1	1		
22-54A	94604-28001	. JOINT, chain		1	1		

Fig. 23 HEAD LAMP & SPEEDOMETER

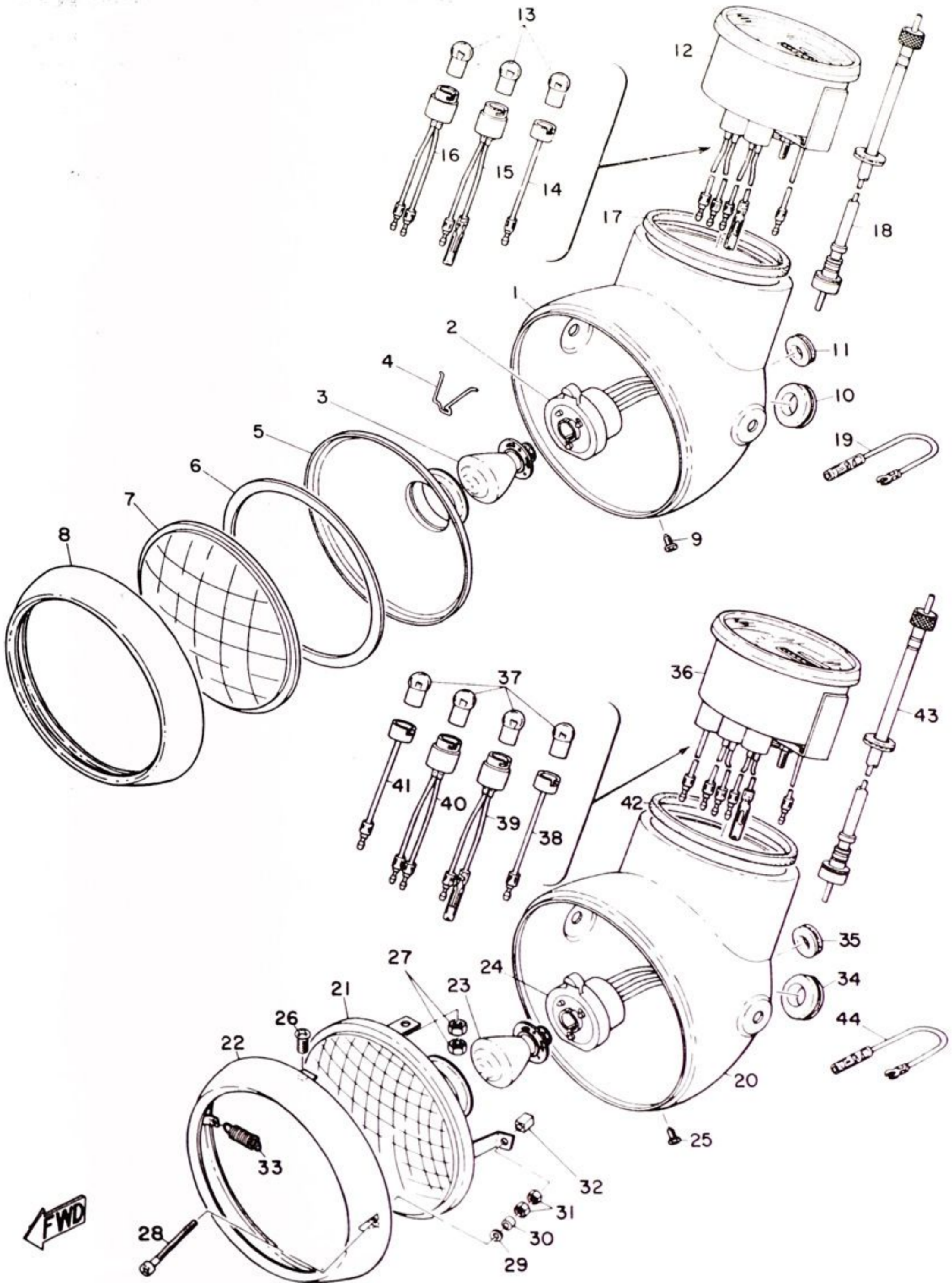


HEAD LAMP & SPEEDOMETER

Dessa delar passar till modellerna AS-1 och AS-2C

Ref No.	Parts No.	Parts Name	Description	Q'ty		S·R	Remarks
				YASI	YASIC		
23- 0-1	183-84300-00	HEAD LAMP ASS'Y		1	1		●
23- 1	183-84311-00	. BODY, head lamp		1	1		●
23- 2	183-84312-00	. SOCKET		1	1		
23- 3	183-84314-00	. BULB, head lamp	12V 35/35W	1	1		☆
23- 4	195-84324-00	. SPRING, reflector set		4	4		
23- 5	136-84323-00	. REFLECTOR		1	1		
23- 6	136-84322-00	. GASKET, lens		1	1		
23- 7	136-84321-00	. LENS, head lamp		1	1		
23- 8	183-84315-00	. RIM, head lamp		1	1		
23- 9	150-84125-00	. SCREW, rim fitting		1	1		
23-10	183-84353-00	. GROMMET		1	1		
23-11	168-84354-00	. GROMMET		2	2		
23-12	183-83510-20	SPEEDOMETER ASS'Y	Km/h	1	1		
	183-83510-40	SPEEDOMETER ASS'Y	M. P. H	1	1		
23-13	123-83516-20	. BULB, pilot	12V 3W	3	3		☆
23-14	164-83536-20	. SOCKET, meter		1	1		
23-15	183-83537-20	. SOCKET, neutral		1	1		
23-16	183-83538-20	. SOCKET, flasher		1	1		
23-17	183-83513-00	DAMPER		1	1		
23-18	167-83550-00	SPEEDOMETER CABLE ASS'Y		1	1		
23-19	173-84313-00	WIRE, earth lead		1	1		
PROPER PARTS TO U.S.A.							
23- 0-2	183-84300-60	HEAD LAMP ASS'Y		1	1		●
23-20	183-84311-00	. BODY, head lamp		1	1		●
23-21	183-84320-60	. LENS ASS'Y		1	1		
23-22	183-84315-60	. RIM, head lamp		1	1		
23-23	183-84314-00	. BULB, head lamp	12V 35/35W	1	1		☆
23-24	183-84312-60	. SOCKET		1	1		
23-25	150-84125-00	. SCREW, rim fitting		1	1		
23-26	92501-05012	. SCREW, pan head		2	2		
23-27	92801-05300	. NUT		4	4		
23-28	132-84331-60	. SCREW, rim adjust		1	1		
23-29	92901-04200	. WASHER, plain		1	1		
23-30	132-84328-60	. SPACER		1	1		
23-31	92801-04300	. NUT		2	2		
23-32	132-84334-61	. NUT, adjust		1	1		
23-33	132-84335-60	. SPRING, lens adjust		1	1		
23-34	168-84354-00	. GROMMET		1	1		

Fig. 23 HEAD LAMP & SPEEDOMETER

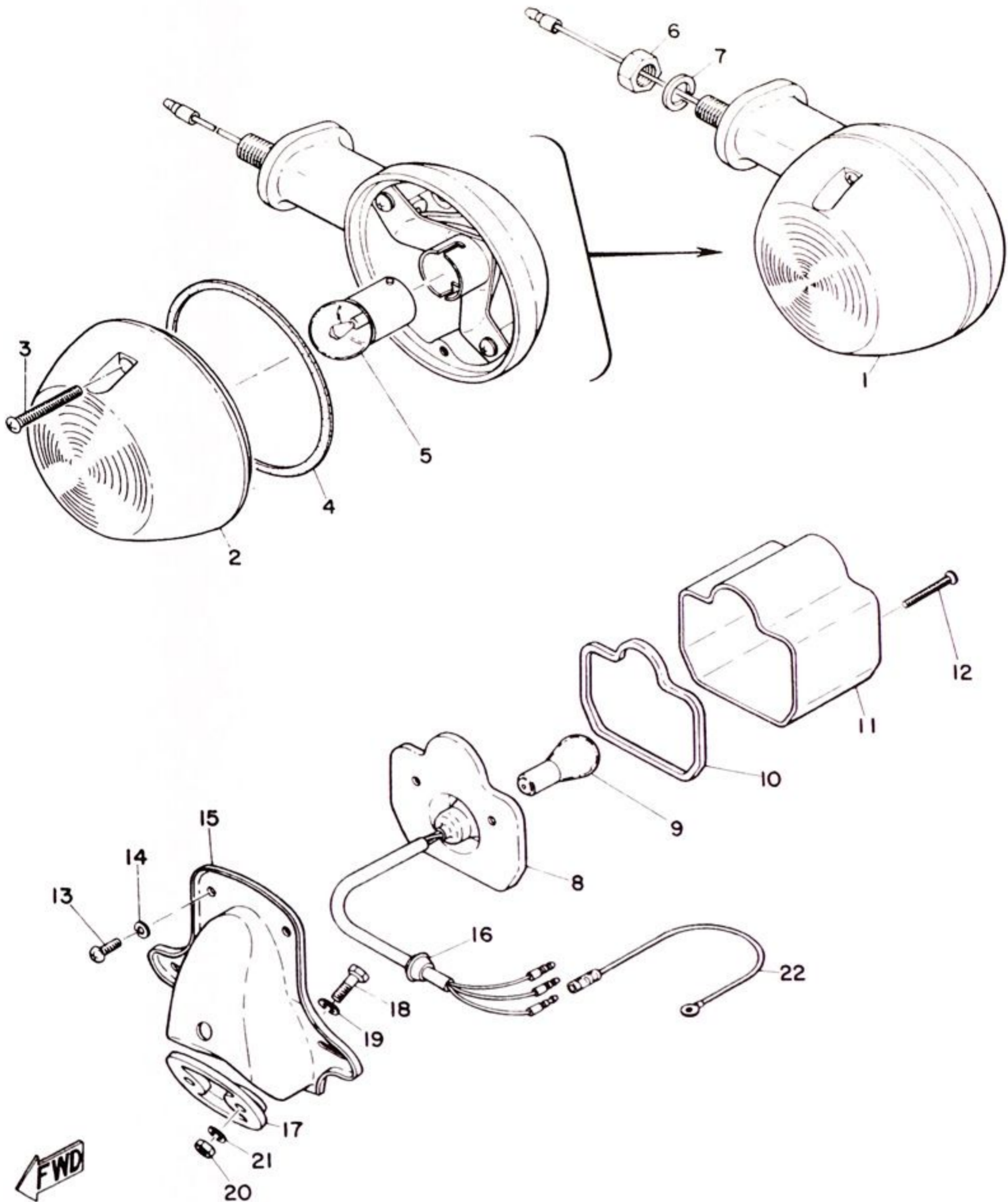


HEAD LAMP & SPEEDOMETER

Dessa delar passar till modellerna AS-1 och AS-2C

Ref No.	Parts No.	Parts Name	Description	Q'ty		S·R	Remarks
				YAS1	YASIC		
23-35	183-84353-00	. GROMMET		2	2		
23-36	183-83510-70	SPEEDOMETER ASS'Y	M. P. H	1	1		
23-37	123-83516-20	. BULB, pilot	15V 3W	4	4		☆
23-38	164-83536-20	. SOCKET, meter		1	1		
23-39	183-83537-20	. SOCKET, neutral		1	1		
23-40	183-83538-20	. SOCKET, flasher		1	1		
23-41	183-83529-70	. SOCKET, high beam		1	1		
23-42	183-83513-00	DAMPER		1	1		
23-43	167-83550-00	SPEEDOMETER CABLE ASS'Y		1	1		
23-44	173-84313-00	WIRE, earth		1	1		

Fig. 24 FLASHER LAMP & TAIL LAMP

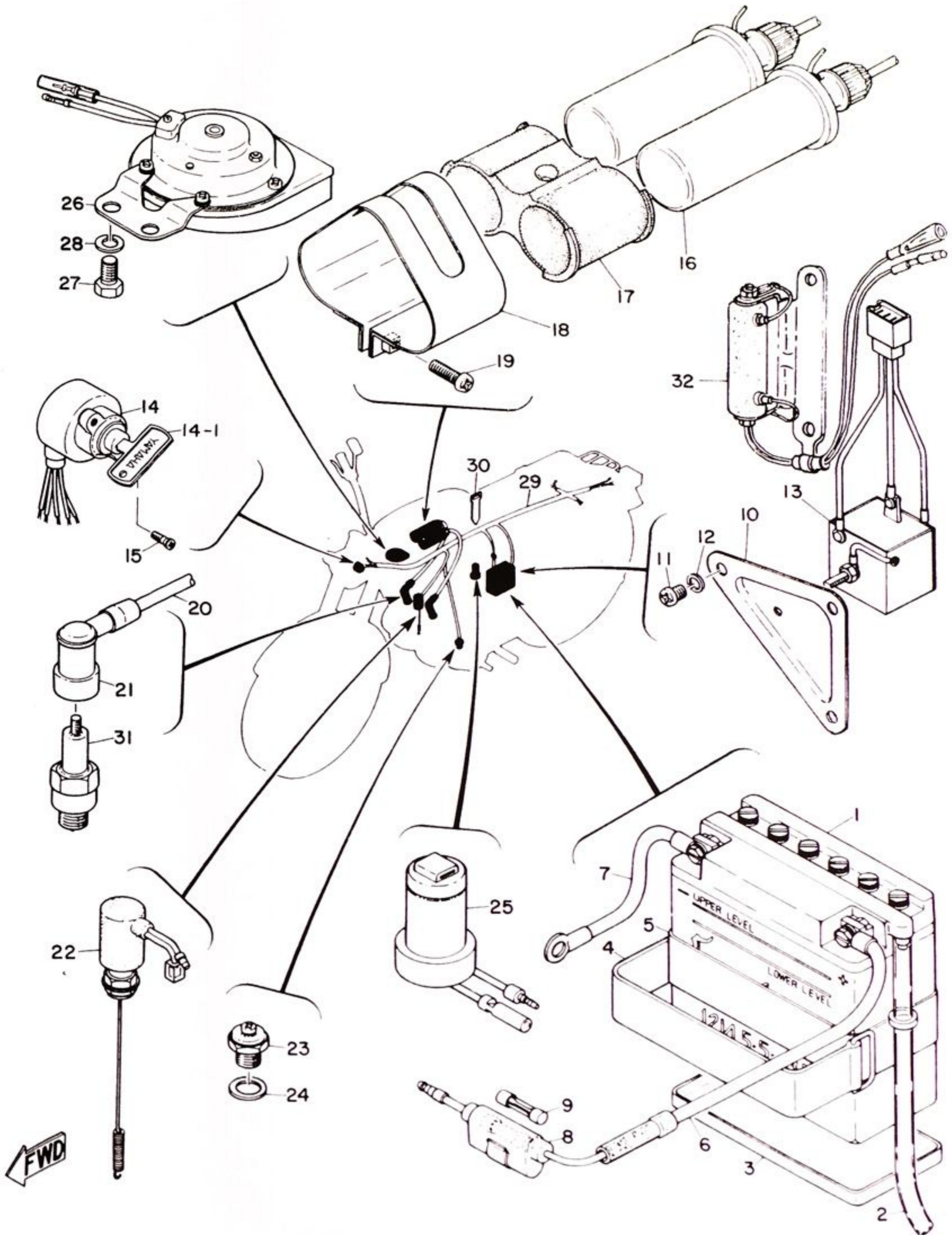


FLASHER LAMP & TAIL LAMP

Dessa delar passar till mod: AS-1, AS-2C och AS-2J

Ref No.	Parts No.	Parts Name	Description	Q'ty	S-R	Remarks
24- 1	237-83330-45	FLASHER LAMP ASS'Y		4		
24- 2	183-83332-20	. LENS, flasher		4		
24- 3	183-83333-21	. SCREW, lens fitting		8		
24- 4	183-83313-20	. GASKET, flasher lens		4		
24- 5	136-83311-20	. BULB, flasher	12V 8W	4		☆
24- 6	98801-08200	NUT		4		
24- 7	92901-08100	WASHER, spring		4		
24- 0-1	183-84710-01	TAIL LAMP UNIT ASS'Y		1		
24- 8	183-84711-01	. BASE, tail lamp		1		
24- 9	137-84714-60	. BULB, tail lamp	12V 25/8W	1		☆
24-10	137-84712-60	. SEAT, base		1		
24-11	183-84721-00	. LENS, tail lamp		1		
24-12	183-84724-01	. SCREW, lens fitting		2		
24-13	92503-06015	. SCREW, pan head		2		
24-14	92901-06100	. WASHER, spring		2		
24-15	183-84751-00	BRACKET, licence		1		
24-16	152-84518-00	GROMMET, tail lamp		2		
24-17	174-84753-00	DAMPER		1		
24-18	168-21738-00	BOLT, fitting		2		
24-19	156-24186-00	WASHER, special	8.5-26-2.0	2		
24-20	92801-06100	NUT		2		
24-21	92901-06100	WASHER, spring		2		
24-22	183-84756-00	WIRE, earth lead		1		
Observera:						
Framblinkers till modell AS-2J har följande nummer:						
	246-83310-45	FLASHER LAMP ASSY, front		2		AS-2j
(AS-2J bakblinkers har samma nummer som bild 24-1 längst upp på denna sida)						

Fig. 25 ELECTRICAL



ELECTRICAL

Dessa delar passar till modellerna AS-1, AS-2C och AS-2J

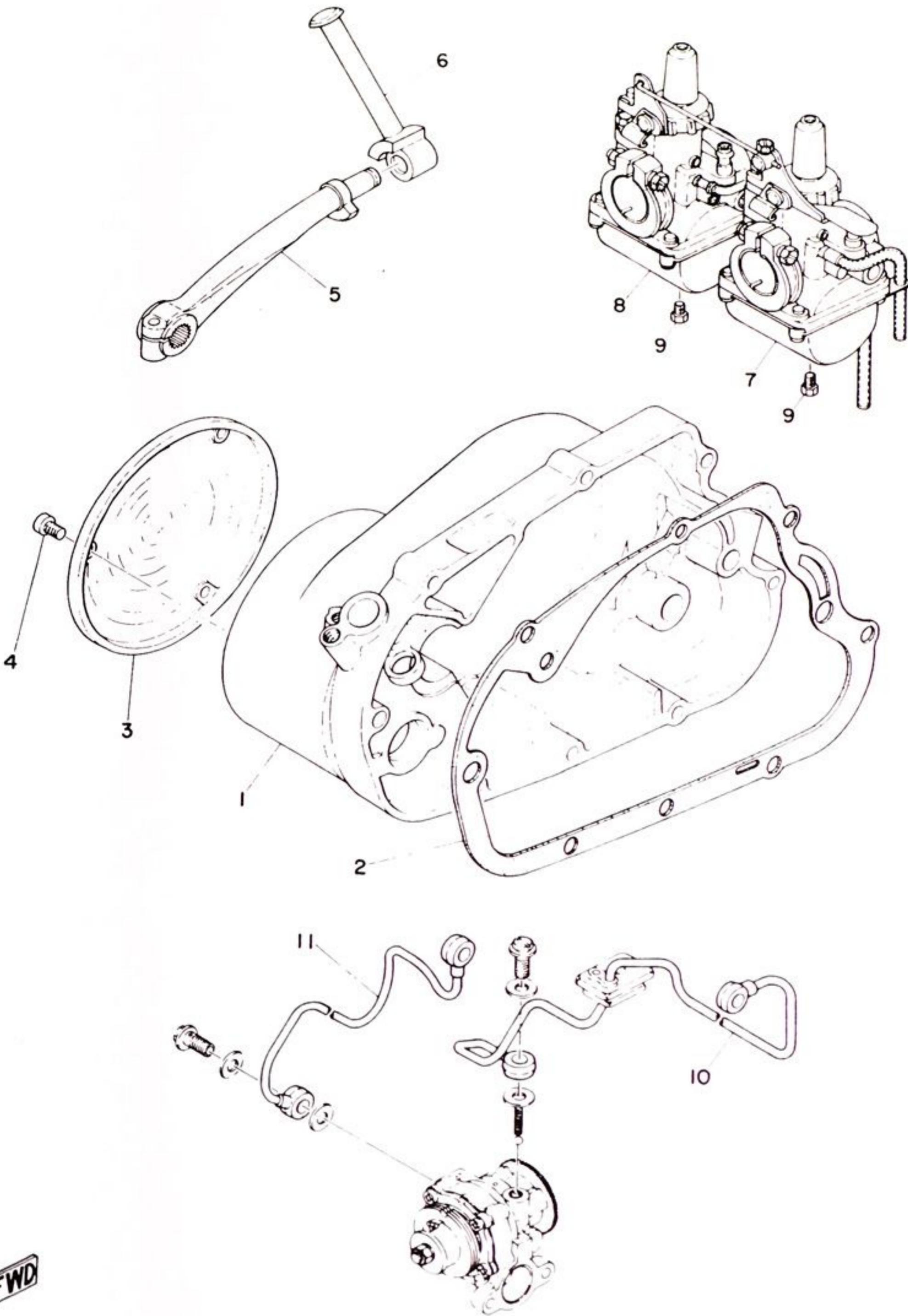
Ref No.	Parts No.	Parts Name	Description	Q'ty	S·R	Remarks
25- 1	131-82110-60	BATTERY ASS'Y		1		
25- 1-1	131-82111-60	. CAP, battery		6		
25- 2	183-82112-00	PIPE, breather		1		
25- 3	102-82122-00	SEAT, battery		1		
25- 4	137-82131-01	BAND, battery		1		
25- 5	164-82124-00	BAND, battery		1		
25- 6	183-82115-00	WIRE, plus lead		1		
25- 7	183-82116-00	WIRE, minus lead		1		
25- 8	164-82150-00	FUSE HOLDER ASS'Y		1		
25- 9	148-82151-00	. FUSE		2		
25-10	183-81975-00	PLATE, rectifier fitting		1		
25-11	92501-06010	SCREW, pan head		3		
25-12	92901-06100	WASHER, spring		3		
25-13	195-81970-11	RECTIFIER ASS'Y		1		
25-14	245-82510-30	MAIN SWITCH ASS'Y		1		AS-1 & AS-2C AS-2J
25-14	252-82508-30	MAIN SWITCH ASSY		1		
25-14-1	168-82511-00	. KEY, main switch		2		
25-15	98603-04008	SCREW, oval head		2		
25-16	174-82310-60	IGNITION COIL ASS'Y		2		
25-17	168-82312-00	HOLDER, coil fitting		1		
25-18	168-82311-00	BAND, coil fitting		1		
25-19	92501-06020	SCREW, pan head		2		
25-20	183-82341-00	CODE, hightension		2		
25-21	166-82370-20	PLUG CAP ASS'Y		2		
25-22	183-82530-01	STOP SWITCH ASS'Y		1		
25-23	136-82540-00	NEUTRAL SWITCH ASS'Y		1		
25-24	136-82543-00	GASKET	11.6-20-1.0	1		
25-25	183-83350-21	FLASHER RELAY ASS'Y		1		
25-26	183-83371-20	HORN		1		
25-27	91201-06015	BOLT		2		
25-28	92901-06100	WASHER, spring		2		
25-29	183-82590-30	WIRE HARNESS ASSY		1		AS-1 AS-2C AS-2J
25-29	245-82590-30	WIRE HARNESS ASS'Y		1		
25-29	252-82590-30	WIRE HARNESS ASSY		1		
25-30	150-82591-00	BAND		1		
25-31	94700-00033	PLUG, spark		2		
	94700-00034	PLUG, spark		2		
25-32	245-81911-10	RESISTOR		1		



TILLÄGG
för speciella delar
avsedda endast
för Yamaha 125 cc Twin
modell:

AS2-J

1 CRANKCASE COVER, CARBURETOR & OIL PUMP



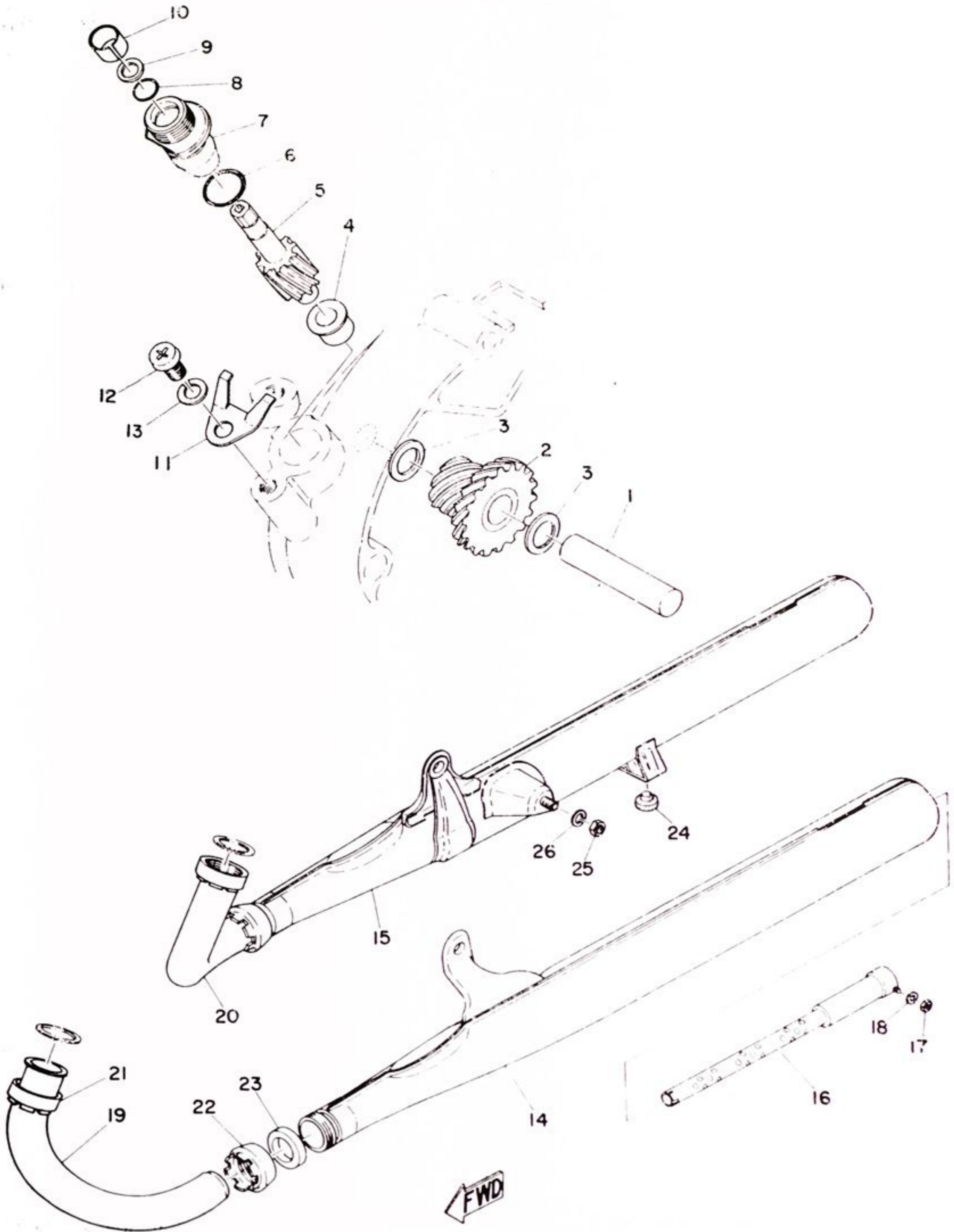


CRANKCASE COVER, CARBURETOR & OIL PUMP

Dessa delar passar endast till modell AS-2J

Ref. No.	Part No.	Description	Q'ty	Applicable Machine No.	Remarks
1- 1	252-15421-00	COVER, crankcase right	1		
1- 2	252-15451-00	GASKET, crankcase cover right ..	1		
1- 3	252-15416-00	COVER, oil pump	1		
1- 4	98501-04010	SCREW, pan head	3		
1- 0-1	132-15610-01-93	KICK CRANK ASS'Y	1		
1- 5	132-15611-01	. CRANK, kick	1		Not for sale
1- 6	122-15612-00	. LEVER, kick	1		
1- 7	252-14101-60	CARBURETOR ASS'Y, left	1		
1- 8	252-14102-60	CARBURETOR ASS'Y, right	1		
1- 9	137-14143-20	. JET, main (#100)	2		
1-10	252-13161-00	PIPE, delivery left	1		
1-11	252-13171-00	PIPE, delivery right	1		

Fig. 2 TACHOMETER GEAR & MUFFLER

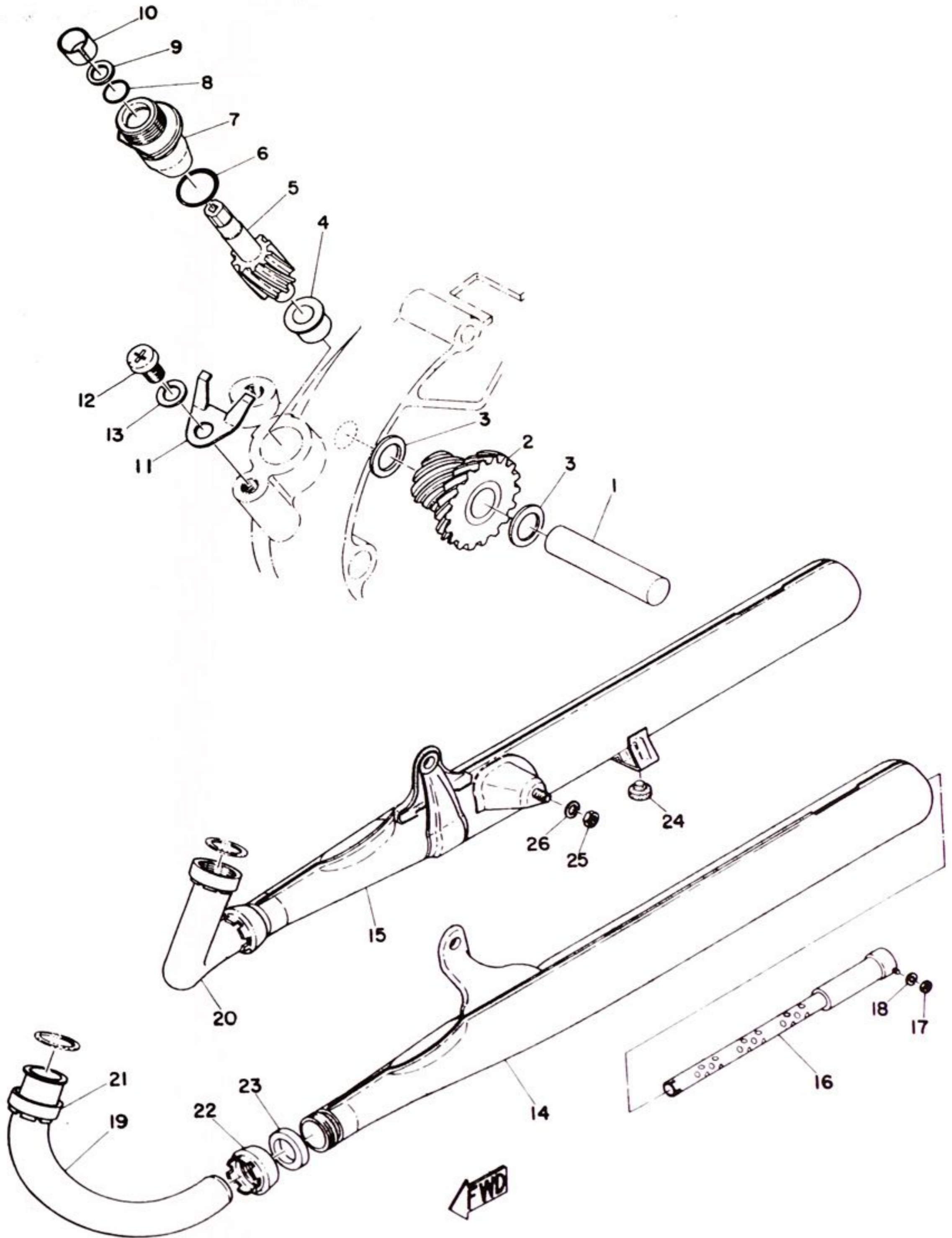


TACHOMETER GEAR & MUFFLER

Dessa delar passar endast till modell AS-2J

Ref. No.	Part No.	Description	Qty	Applicable Machine No.	Remarks
2- 1	237-17861-00	AXLE, drive gear	1		
2- 2	248-17831-01	GEAR, drive	1		
2- 3	248-17837-00	SHIM (10.2-16-1.0)	2		
2- 4	214-17843-00	BUSHING	1		
2- 5	248-17841-00	GEAR, driven	1		
2- 6	93210-13016	O-RING (1.8-13)	1		
2- 7	214-17811-01	HOUSING	1		
2- 8	93210-07100	O-RING (2.2-7.2)	1		
2- 9	214-17847-00	SHIM (7.5-10.8-0.4)	1		
2-10	214-17815-00	BUSHING	1		
2-11	214-17812-00	STOPPER	1		
2-12	92501-06010	SCREW, pan head	1		
2-13	92901-06100	WASHER, spring	1		
2-14	217-14710-00	MUFFLER ASS'Y, left	1		
2-15	217-14720-00	MUFFLER ASS'Y, right	1		
2-16	201-14753-01	. SILENSER	2		
2-17	98801-05100	. NUT	2		
2-18	92901-05100	. WASHER, spring	2		
2-19	183-14611-00	PIPE, exhaust left	1		
2-20	183-14621-00	PIPE, exhaust right	1		
2-21	183-14612-00	NUT, ring	2		
2-22	132-14713-00	NUT, muffler joint	2		
2-23	132-14714-00	GASKET, muffler joint	2		

Fig. 2 TACHOMETER GEAR & MUFFLER



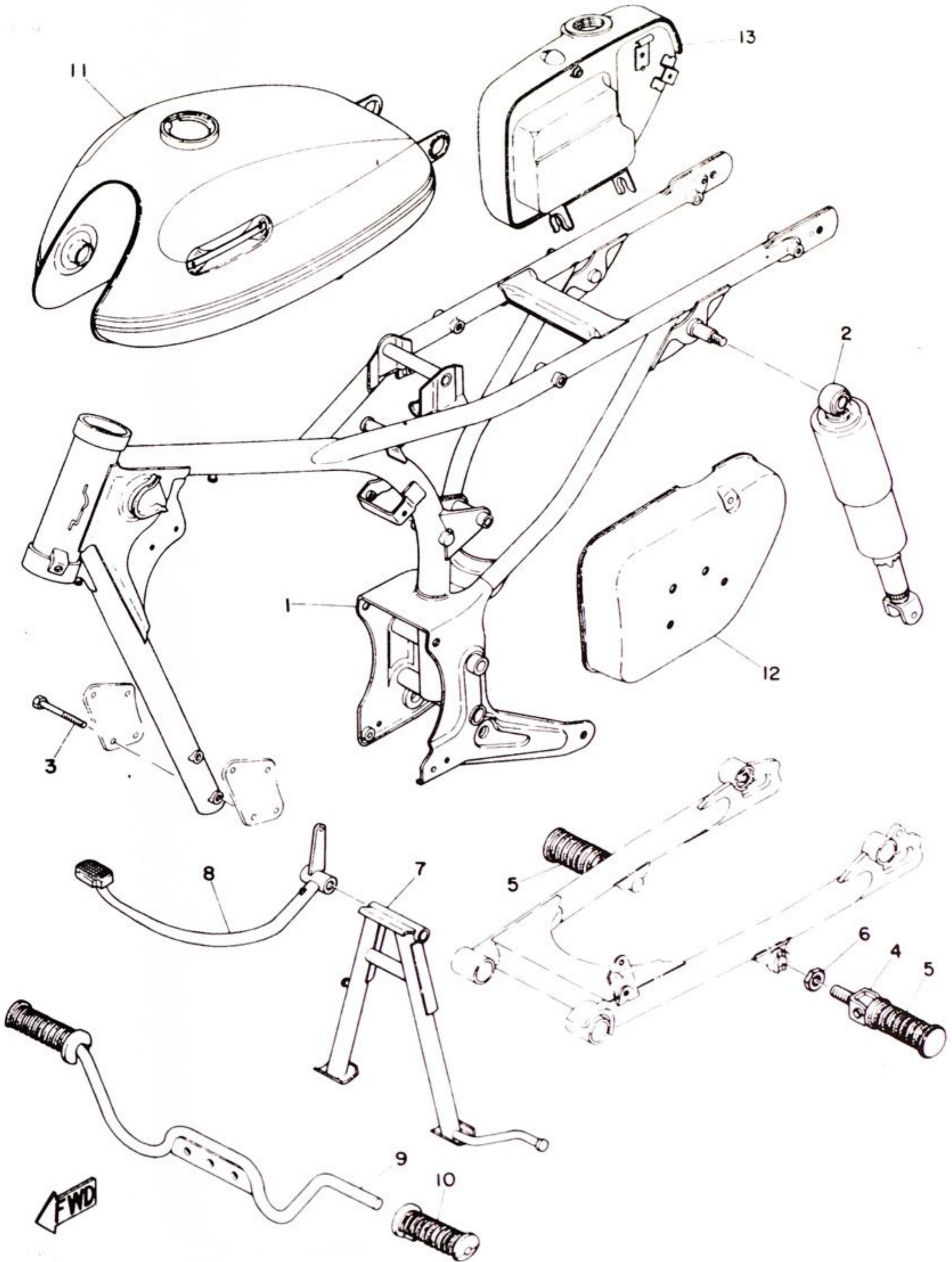


TACHOMETER GEAR & MUFFLER

Dessa delar passar endast till modell AS-2J

Ref. No.	Part No.	Description	Q'ty	Applicable Machine No.	Remarks
2-24	102-27114-00	STOPPER, main stand	2		
2-25	98801-08100	NUT	2		
2-26	92901-08100	WASHER, spring	2		

Fig. 3 FRAME, FOOTREST & MAIN STAND

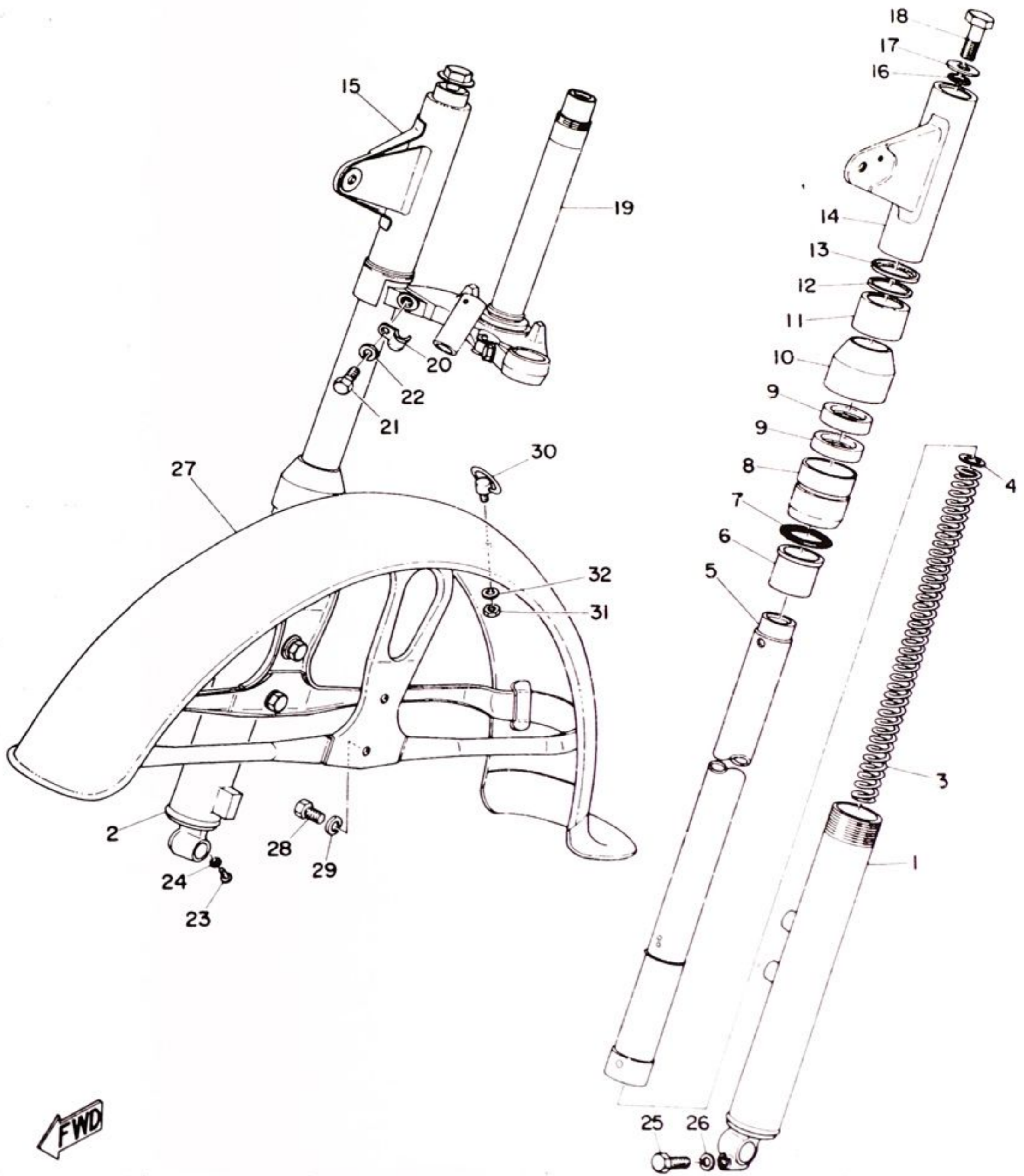


FRAME, FOOTREST & MAIN STAND

Dessa delar passar endast till modell AS-2J

Ref. No.	Part No.	Description	Q'ty	Applicable Machine No.	Remarks
3- 1	252-21110-00-33	FRAME COMP.	1		
3- 2	183-22210-02-62	REAR CUSHION ASS'Y	2		Adrian Blue
	183-22210-02-65	REAR CUSHION ASS'Y	2		Californian Orange
3- 3	97101-08055	BOLT	4		
3- 4	120-27430-02	REAR FOOTREST ASS'Y	2		
3- 5	120-27433-00	. COVER, rear footrest	2		
3- 6	206-27436-00	NUT, rear footrest	2		
3- 7	183-27111-00-33	STAND, main	1		
3- 8	183-27211-00	PEDAL, brake	1		
3- 9	183-27411-00-33	FOOTREST	1		
3-10	122-27413-00	COVER, footrest	2		
3-11	245-24110-00-05	FUEL TANK COMP.	1		Adrian Blue
	245-24110-00-04	FUEL TANK COMP.	1		Californian Orange
3-12	183-21711-60-02	COVER, side	1		Adrian Blue
	183-21711-60-01	COVER, side	1		Californian Orange
3-13	183-21751-00-02	TANK, oil	1		Adrian Blue
	183-21751-00-01	TANK, oil	1		Californian Orange

Fig. 4 FRONT FORK & FRONT FENDER

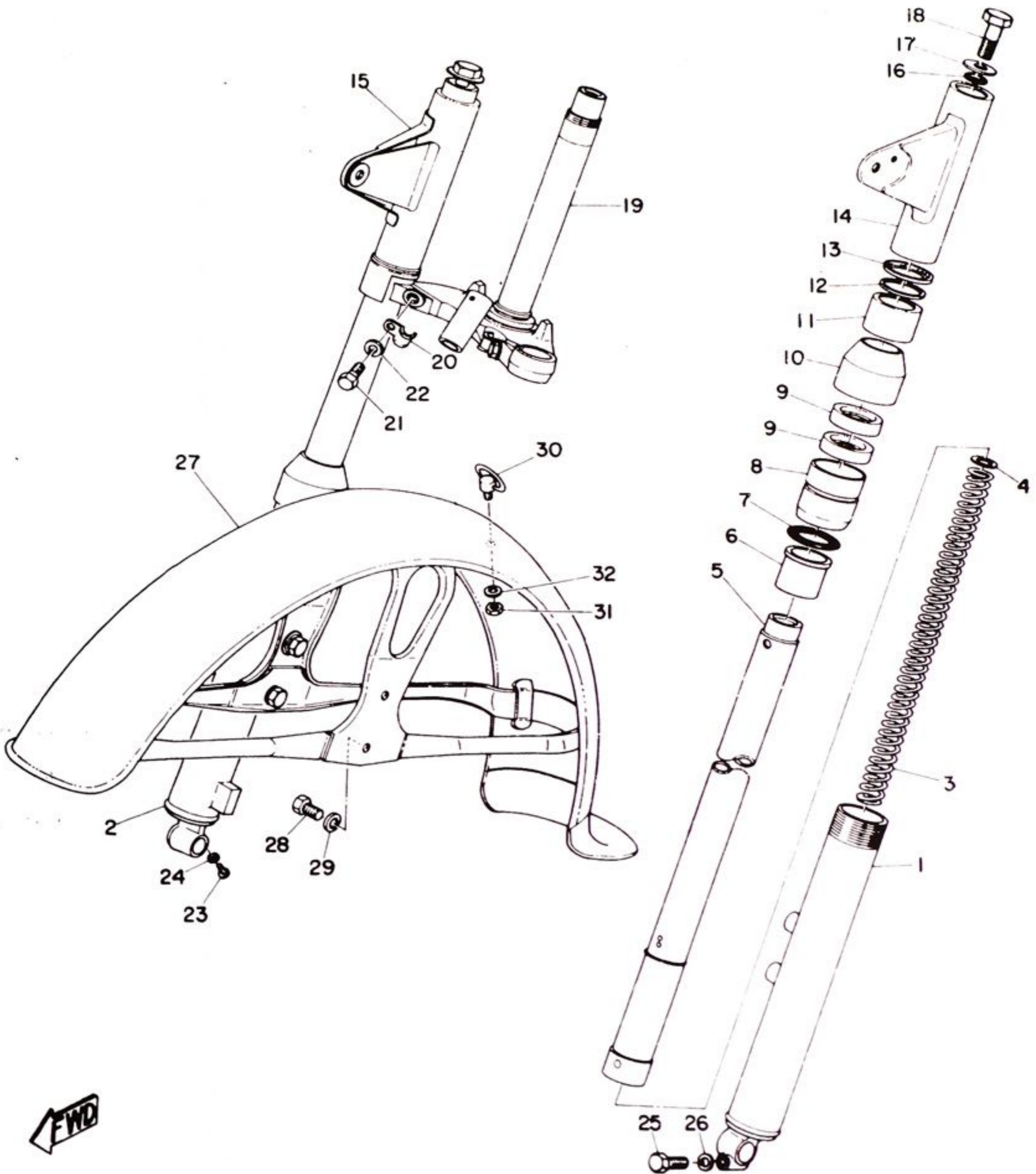


FRONT FORK & FRONT FENDER

Dessa delar passar endast till modell AS-2J

Ref. No.	Part No.	Description	Q'ty	Applicable Machine No.	Remarks
4- 0-1	252-23100-00-02	FRONT FORK ASS'Y	1		Adrian Blue
	252-23100-00-01	FRONT FORK ASS'Y	1		Californian Orange
4- 1	252-23126-00-35	. TUBE, outer left	1		Silver
4- 2	252-23136-00-35	. TUBE, outer right	1		Silver
4- 3	252-23141-00	. SPRING, fork	2		
4- 4	252-23149-00	. WASHER, spring upper	2		
4- 5	252-23124-00	. TUBE, inner	2		
4- 6	164-23125-00	. METAL, slide	2		
4- 7	164-23147-00	. O-RING	2		
4- 8	252-23150-00	. OUTER NUT COMP.	2		
4- 9	164-23145-00	. . OIL SEAL	4		
4-10	252-23144-00	. SEAL, dust	2		
4-11	252-23122-00	. COVER, outer	2		
4-12	164-23163-00	. PACKING	2		
4-13	252-23116-00	. GUIDE, cover under	2		
4-14	252-23121-00-62	. COVER, upper left	1		Adrian Blue
	252-23121-00-65	. COVER, upper right	1		Californian Orange
4-15	252-23131-00-62	. COVER, upper right	1		Adrian Blue
	252-23131-00-65	. COVER, upper	1		Californian Orange
4-16	122-23114-00	. PACKING	2		
4-17	183-23112-00	. WASHER, cap	2		
4-18	183-23111-00	. BOLT, cap	2		
4-19	245-23340-60-33	. UNDER BRACKET COMP.	1		
4-20	183-23318-00	. HOLDER, wire	1		

Fig. 4 FRONT FORK & FRONT FENDER

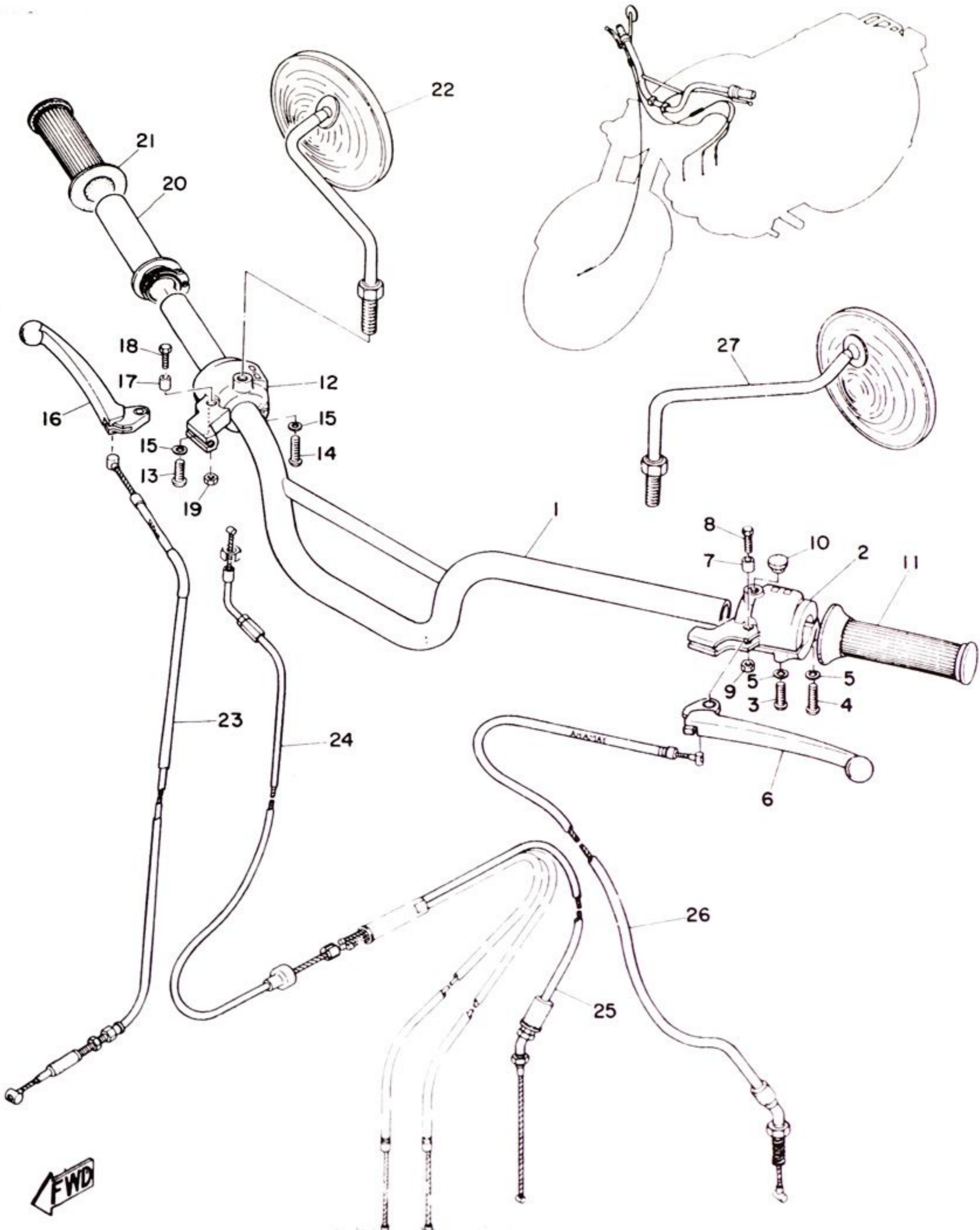


FRONT FORK & FRONT FENDER

Dessa delar passar endast till modell AS-2J

Ref. No.	Part No.	Description	Qty	Applicable Machine No.	Remarks
4-21	122-23346-00	. BOLT, under bracket	2		
4-22	92901-10100	. WASHER, spring	2		
4-23	122-23119-01	. PLUG, drain	2		
4-24	122-23129-00	. GASKET, drain plug	2		
4-25	97201-08025	. BOLT	1		
4-26	92901-08100	. WASHER, spring	1		
4-27	183-21501-00-93	FRONT FENDER COMP.	1		
4-28	97201-08010	BOLT	4		
4-29	92901-08100	WASHER, spring	4		
4-30	174-21518-00	HOLDER, wire	1		
4-31	92801-06100	NUT	1		
4-32	92901-06100	WASHER, spring	1		

Fig. 5 HANDLE & WIRE

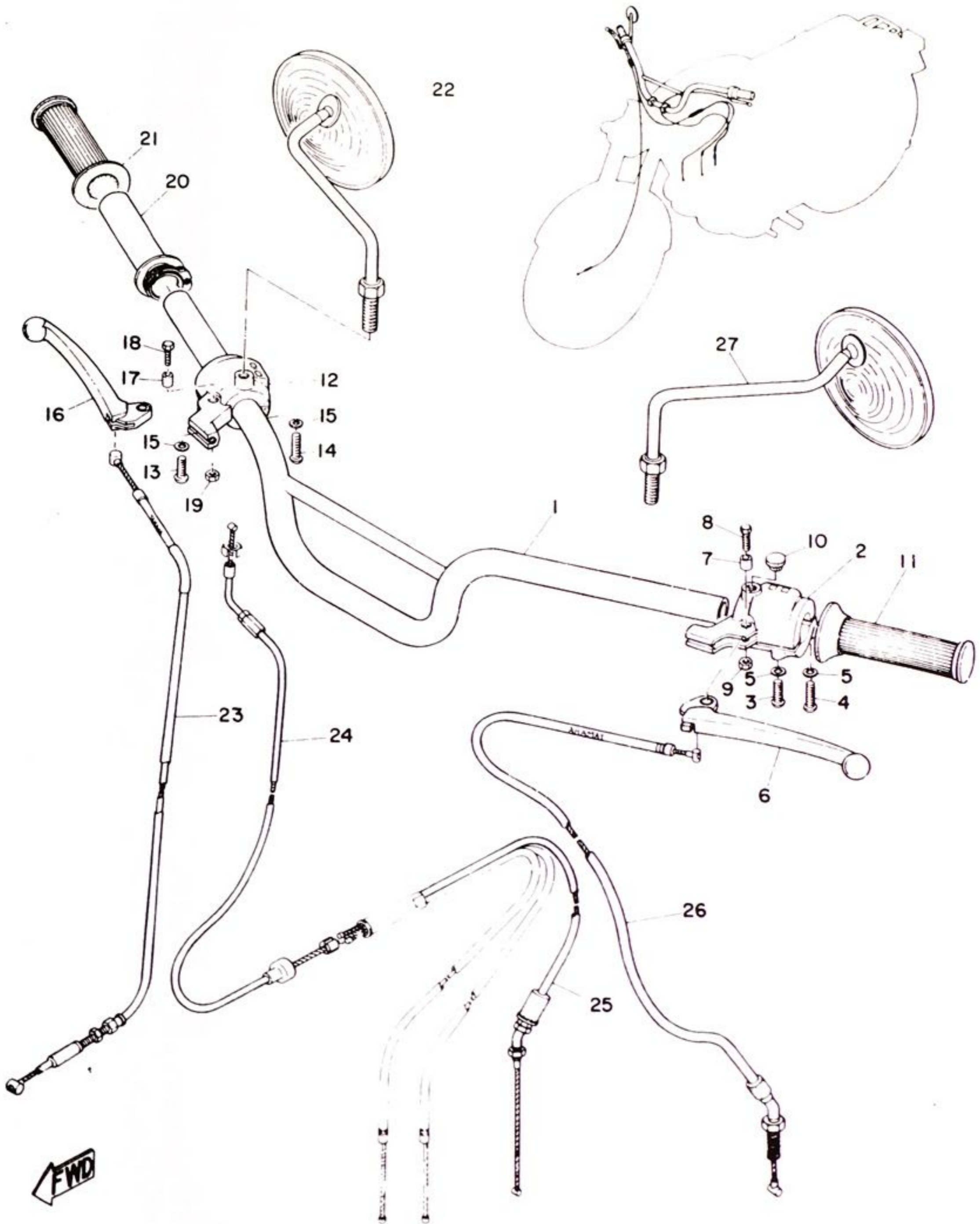


HANDLE & WIRE

Dessa delar passar endast till mod AS-2J

Ref. No.	Part No.	Description	Q'ty	Applicable Machine No.	Remarks
5- 1	167-26111-01	HANDLE (with bridge)	1		
	183-26111-10	HANDLE	1		Up
	252-26111-20	HANDLE	1		Bar
5- 2	183-82910-10	LEVER HOLDER ASS'Y, left	1		
	183-82910-20	LEVER HOLDER ASS'Y, left	1		Bar
5- 3	98501-05020	. SCREW, pan head	1		
5- 4	98501-05024	. SCREW, pan head	2		
5- 5	92901-05100	. WASHER, spring	3		
5- 6	137-82912-01	. LEVER, left	1		
5- 7	137-83913-01	. COLLAR	1		
5- 8	92503-06020	. SCREW, pan head	1		
5- 9	92801-06300	. NUT	1		
5-10	116-83931-00	PLUG, blind	1		
5-11	136-26241-00	GRIP, left	1		
5-12	183-82920-10	LEVER HOLDER ASS'Y, right ...	1		
	183-82920-20	LEVER HOLDER ASS'Y, right ...	1		Bar
5-13	98501-05020	. SCREW, pan head	1		
5-14	98501-05024	. SCREW, pan head	2		
5-15	92901-05100	. WASHER, spring	3		
5-16	137-83922-01	. LEVER, right	1		
5-17	137-83913-01	. COLLAR	1		
5-18	92503-06020	. SCREW, pan head	1		
5-19	92801-06300	. NUT	1		

Fig. 5 HANDLE & WIRE



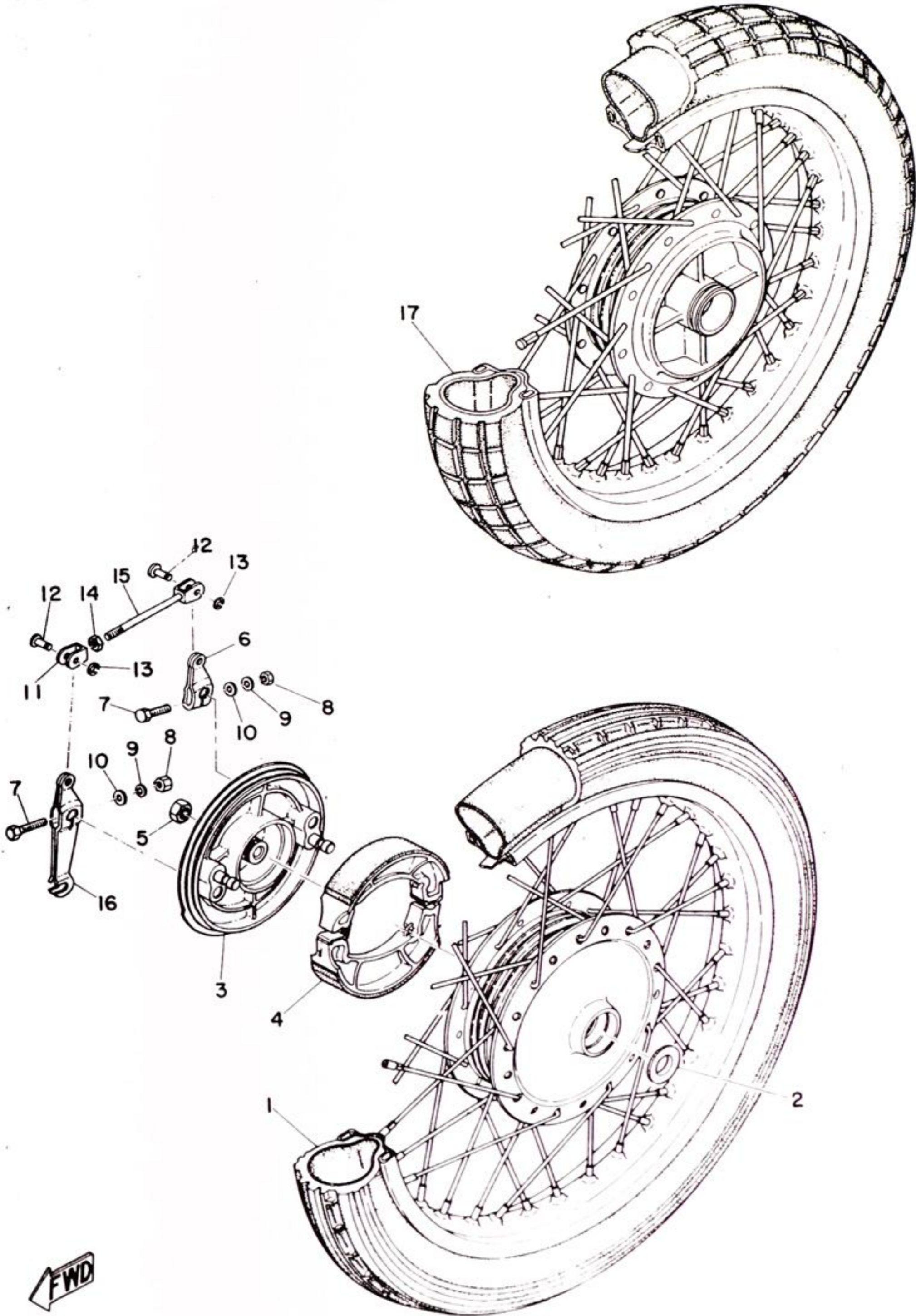


HANDLE & WIRE

Dessa delar passar endast till mod AS-2J

Ref. No.	Part No.	Description	Qty	Applicable Machine No.	Remarks
5-20	137-26243-60	TUBE, guide	1		
5-21	137-26242-60	GRIP, right	1		
5-22	227-26290-00	BACK MIRROR ASS'Y, right	1		
5-23	183-26341-00	WIRE, brake	1		
	183-26341-10	WIRE, brake	1		Up
	183-26341-20	WIRE, brake	1		Bar
5-24	218-26311-00	WIRE, throttle 1	1		
	183-26311-10	WIRE, throttle 1	1		Up
	183-26311-20	WIRE, throttle 1	1		Bar
5-25	252-26321-00	WIRE, pump	1		
5-26	241-26335-41	WIRE, clutch	1		
	241-26335-11	WIRE, clutch	1		Up
	241-26335-21	WIRE, clutch	1		Bar
ALTERNATE PARTS					
5-27	227-26290-10	BACK MIRROR ASS'Y, left	1		

Fig. 6 FRONT & REAR WHEEL

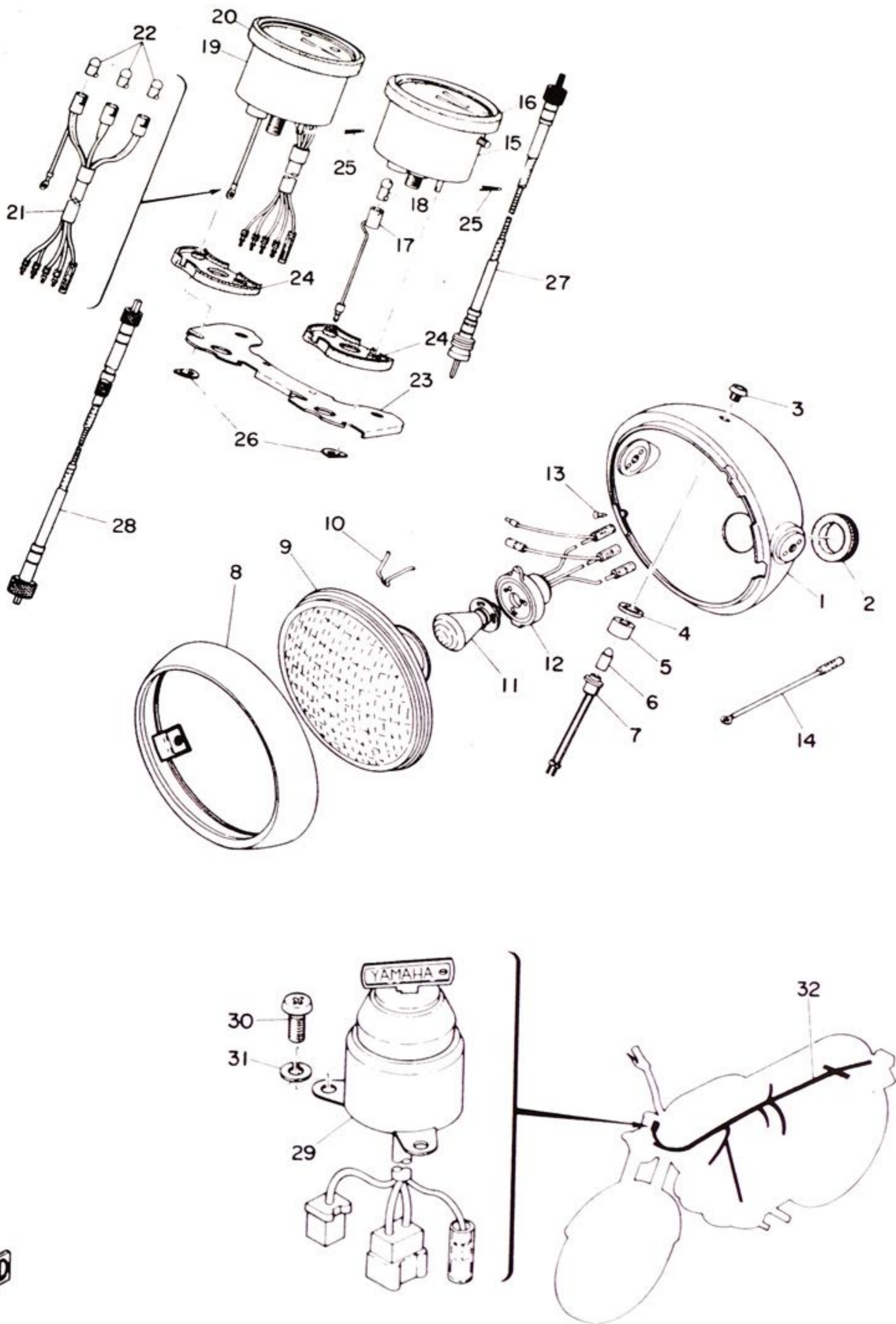


FRONT & REAR WHEEL

Dessa delar passar endast till mod AS-2J

Ref. No.	Part No.	Description	Q'ty	Applicable Machine No.	Remarks
6- 1	94125-18019	TIRE, front	1		
6- 2	109-25315-00	FLANGE, spacer	1		
6- 3	252-25121-00	PLATE, brake shoe	1		
6- 4	252-25130-00	BRAKE SHOE COMP.	2		
6- 5	183-25182-00	NUT	1		
6- 6	252-25156-00	LEVER, cam shaft 2	1		
6- 7	91201-06030	BOLT	2		
6- 8	92801-06100	NUT	2		
6- 9	92901-06100	WASHER, spring	2		
6-10	92901-06200	WASHER, plain	2		
6-11	152-25163-00	END, rod 1	1		
6-12	152-25165-00	PIN, rod end	2		
6-13	93430-04003	CIRCLIP	2		
6-14	92803-06300	NUT	1		
6-15	252-25161-00	ROD, connecting	1		
6-16	252-25155-00	LEVER, cam shaft	1		
6-17	94127-18064	TIRE, rear	1		

Fig. 7 HEAD LAMP, SPEEDOMETER & TACHOMETER

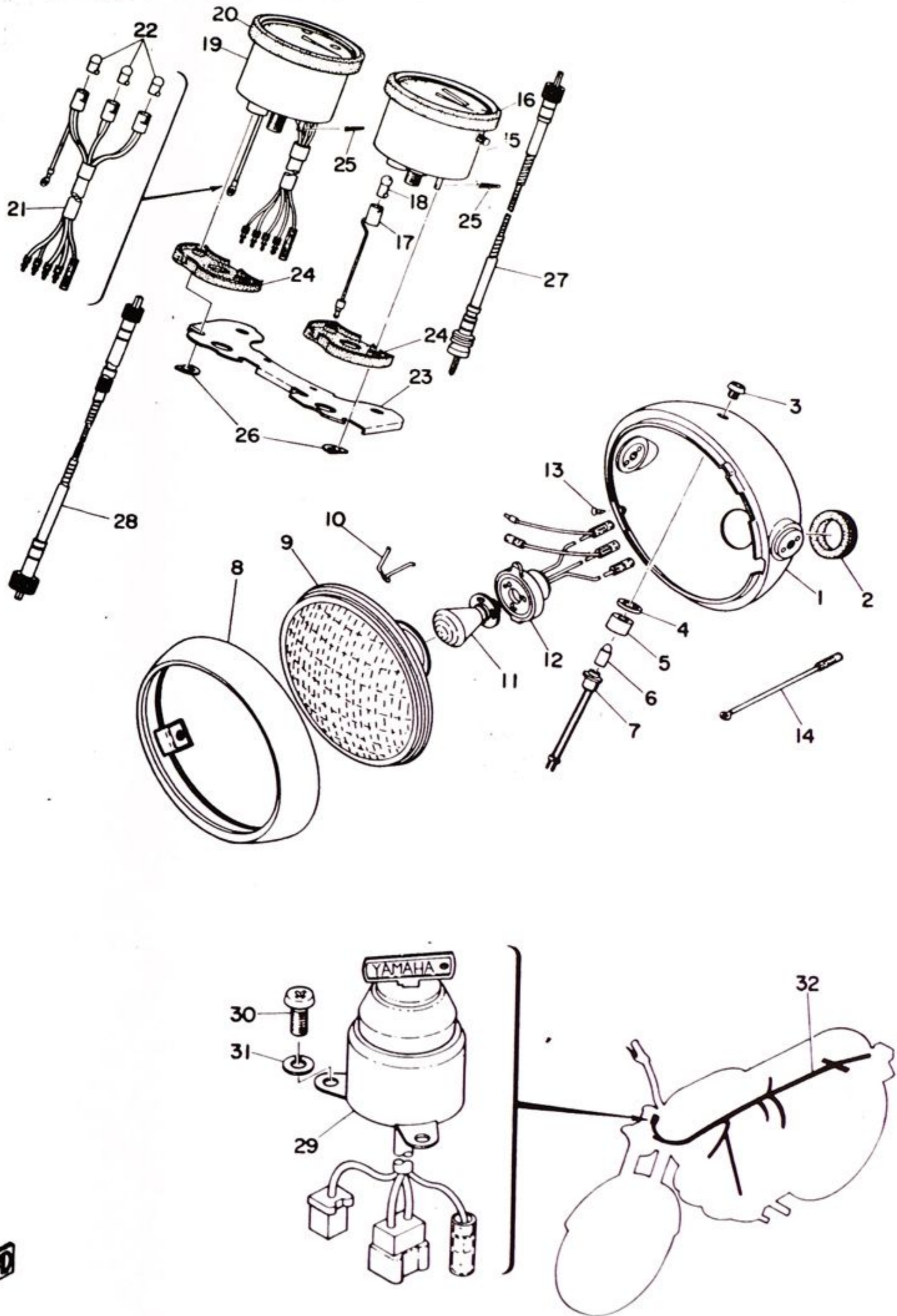


HEAD LAMP, SPEEDOMETER & TACHOMETER

Dessa delar passar endast till modell AS-2J

Ref. No.	Part No.	Description	Q'ty	Applicable Machine No.	Remarks
7- 1	237-84330-60-62	BODY ASS'Y	1		Adrian Blue
	237-84330-60-65	BODY ASS'Y	1		Californian Orange
7- 2	214-84153-60	. GROMMET	1		
7- 0-1	235-84301-60	PILOT LAMP ASS'Y	1		
7- 3	214-84157-60	. BODY, pilot lamp	1		
7- 4	92901-12300	. WASHER, tooth	1		
7- 5	214-84158-60	. NUT, pilot lamp	1		
7- 6	235-84347-00	. BULB, pilot (12V 1.5W)	1		
7- 7	214-84150-60	. SOCKET CORD ASS'Y	1		
7- 0-2	252-84310-00	HEAD LAMP UNIT ASS'Y	1		
7- 8	237-84315-00	. RIM, head lamp	1		
7- 9	237-84320-00	. LENS ASS'Y	1		
7-10	195-84324-00	. SPRING, reflector set	4		
7-11	183-84314-60	. BULB, head lamp (12V 35/35W)	1		
7-12	252-84312-00	. SOCKET	1		
7-13	195-84325-00	. SCREW, rim fitting	1		
7-14	173-84313-00	WIRE, earth lead	1		
7-15	237-83510-21	SPEEDOMETER ASS'Y	1		
7-16	214-83513-00	. DAMPER, speedometer	1		
7-17	214-83536-30	. SOCKET, meter	1		
7-18	123-83516-20	. BULB (15V 3W)	1		
7-19	252-83540-01	TACHOMETER ASS'Y	1		
7-20	214-83513-00	. DAMPER, speedometer	1		

Fig. 7 HEAD LAMP, SPEEDOMETER & TACHOMETER





HEAD LAMP, SPEEDOMETER & TACHOMETER

Dessa delar passar endat till modell AS-2J

Ref. No.	Part No.	Description	Q'ty	Applicable Machine No.	Remarks
7-21	252-83520-00	. SOCKET ASS'Y	1		
7-22	123-83516-20	. BULB, pilot (15V 3W)	3		
7-23	252-83519-00	BRACKET, meter	1		
7-24	237-83523-00	DAMPER	2		
7-25	156-83525-00	CLIP	4		
7-26	214-83524-00	WASHER, special	4		
7-27	252-83550-00	SPEEDOMETER CABLE ASS'Y ..	1		
7-28	252-83560-00	TACHOMETER CABLE ASS'Y ...	1		
7-29	252-82508-30	MAIN SWITCH ASS'Y	1		
7-30	98501-05010	SCREW, pan head	2		
7-31	92901-05100	WASHER, spring	2		
7-32	252-82590-30	WIRE HARNESS ASS'Y	1		



Ständigt komplett lager av

YAMAHA

och

HONDA

Original RESERVDELAR

.....

För SNABB och SÄKER LEVERANS

RING

040/465075

SVENSKA CYKELFABRIKEN AB

234 00 LOMMA



**— Ett företag
med kvalitet —**

POSTADRESS	GATUADRESS	TELEFON vx	TELEGRAM	TELEX	POSTGIRO	BANKGIRO
Box 30	Näringsvägen	040 46 50 75	cykfab	348	63 56 75-2	348-2379
234 00 LOMMA	ÅKARP		malmö Sweden	Cycles Sweden		
Sweden						

File created by Yamaparts.com from original parts guide, for private use only.

Copyright www.yamaparts.com