



**YAMAHA**

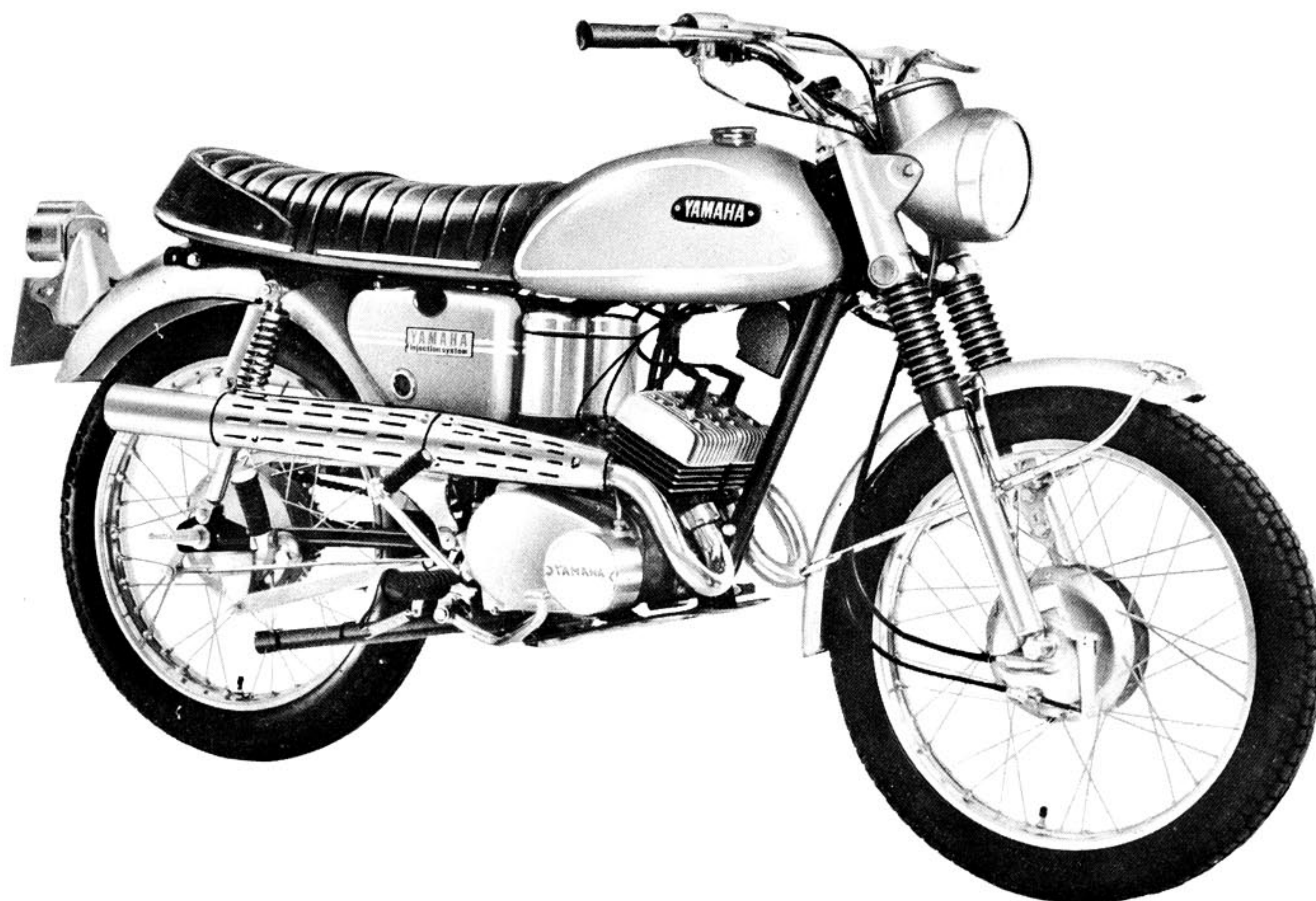
**PARTS LIST**

**MODEL AS2C**

**YAMAHA MOTOR CO., LTD.**



# YAMAHA AS2C



## AS2C PARTS LIST CORRECTION

### CORRECTION IN INDEX

Page No.	Parts List Read		Parts List Should Read	
	Ref. No.	Parts No.	Ref. No.	Parts No.
1	18-16	101-24356-00	18-14	101-24356-00
1	18- 7	122-24181-00	18- 5	122-24181-00
1	18- 6	122-24610-01	18- 4	122-24610-01
1	18- 4	132-24161-00	18- 2	132-24161-00
1	18-13	132-24311-00	18-11	132-24311-00
1	18-14	132-24331-00	18-12	132-24331-00
1	18-17	132-24500-02	18-15	132-24500-02
1	18-18	132-24511-02	18-16	132-24511-02
1	18-21	132-24515-00	18-19	132-24515-00
1	18-26	132-245138-0	18-24	132-24518-00
1	18-19	132-24521-00	18-17	132-24521-00
1	18-20	132-24522-00	18-18	132-24522-00
1	18-27	132-24525-00	18-25	132-24525-00
1	18-22	132-24531-00	18-20	132-24531-00
1	18-23	132-24532-00	18-21	132-24532-00
2	18-10	137-24186-00	18- 8	137-24186-00
2	18-11	137-24187-00	18- 9	137-24187-00
2	18-15	137-24331-00	18-13	137-24331-00
2	18-24	137-24523-00	18-22	137-24523-00
2	18- 8	137-28181-00	18- 6	137-28181-00
3	18- 9	168-24176-00	18- 7	168-24176-00
3	18-25	168-24524-00	18-23	168-24524-00
5	18- 2	241-24171-00		CROSS OUT
5	18- 3	241-24172-00		CROSS OUT
6	18-12	92801-06100	18-10	92801-06100
7	18-28	98501-03006	18-26	98501-03006
7	18- 5	98501-04008	18- 3	98501-04008

# CONTENTS

## ENGINE

Fig. 1	Crank Case .....	1
Fig. 2	Crankcase Cover .....	3
Fig. 3	Crank Shaft & Piston .....	5
Fig. 4	Clutch .....	7
Fig. 5	Transmission .....	9
Fig. 6	Shifter .....	11
Fig. 7	Kick .....	13
Fig. 8	Air Cleaner .....	15
Fig. 9	Carburetor .....	17
Fig. 10	Muffler .....	21
Fig. 11	Oil Pump .....	23
Fig. 12	A.C. Magnet Generator .....	27

## CHASSIS

Fig. 13	Frame .....	31
Fig. 14	Rear Arm & Chain Case .....	35
Fig. 15	Stand, Foot Rest & Rear Brake Pedal .....	37
Fig. 16	Front Fork & Front Fender .....	39
Fig. 17	Handle & Wire .....	43
Fig. 18	Fuel Tank .....	45
Fig. 19	Oil Tank .....	47
Fig. 20	Seat & Carrier .....	49
Fig. 21	Front Wheel .....	51
Fig. 22	Rear Wheel .....	53
Fig. 23	Head Lump, Speedometer & Tail Lamp .....	57
Fig. 24	Flasher Lamp (ALTERNATE PARTS) .....	61
Fig. 25	Electrical .....	63

## NUMERICAL INDEX

# Instructions on Parts List

## YAMAHA AS2C

Note: Please refer to AS2C Parts List for the parts not listed in this publication.

1. DIMENSIONS: All dimensions are given in millimeters with the exception of steel balls which are given in inches.

2. KEY TO SYMBOLS

R.H.	.....	Right hand side (Viewed from the rider's seat facing forward)
L.H.	.....	Left hand side (Viewed from the rider's seat facing forward)
S.R.	.....	Suggested retail price
UR	.....	Use size (thickness) and/or numbers as required
☆	.....	Government inspected parts
△	.....	Not supplied as a single part
S	.....	Indicates "S" shaped circlip
E	.....	Indicates "E" shaped circlip
R	.....	Indicates "R" shaped circlip
T	.....	Number of teeth in a gear
V	.....	Voltage for light bulbs
W	.....	Wattage for light bulbs
L	.....	Length
S	.....	"S" type oil seal
SD	.....	"SD" type oil seal
SO	.....	"SO" type oil seal
SW	.....	"SW" type oil seal

3. COMPONENT PARTS: Component parts of an assembly are preceded by a dot (.) as follows:

KICK CRANK ASS'Y		
. WASHER, spring	)	Component parts
. LEVER, kick	)	
. PIN	)	

Component parts which are mounted on either side of the m/c. are listed in the following sequence:

3a).— Parts to be mounted on "LEFT SIDE" are listed first.—

3b).— Parts to be mounted on "RIGHT SIDE" are listed second.—

3c).— Parts which can be mounted on "EITHER SIDE" are listed next to the above parts.—

You are requested to be very careful, when ordering, not to make a mistake in stating the part numbers, since only a single wrong figure will entirely change the contents and will cause you to receive quite a different part.

We believe that this introduction will prove a great help to you, but if you have any ambiguous point, please do not hesitate to contact us.





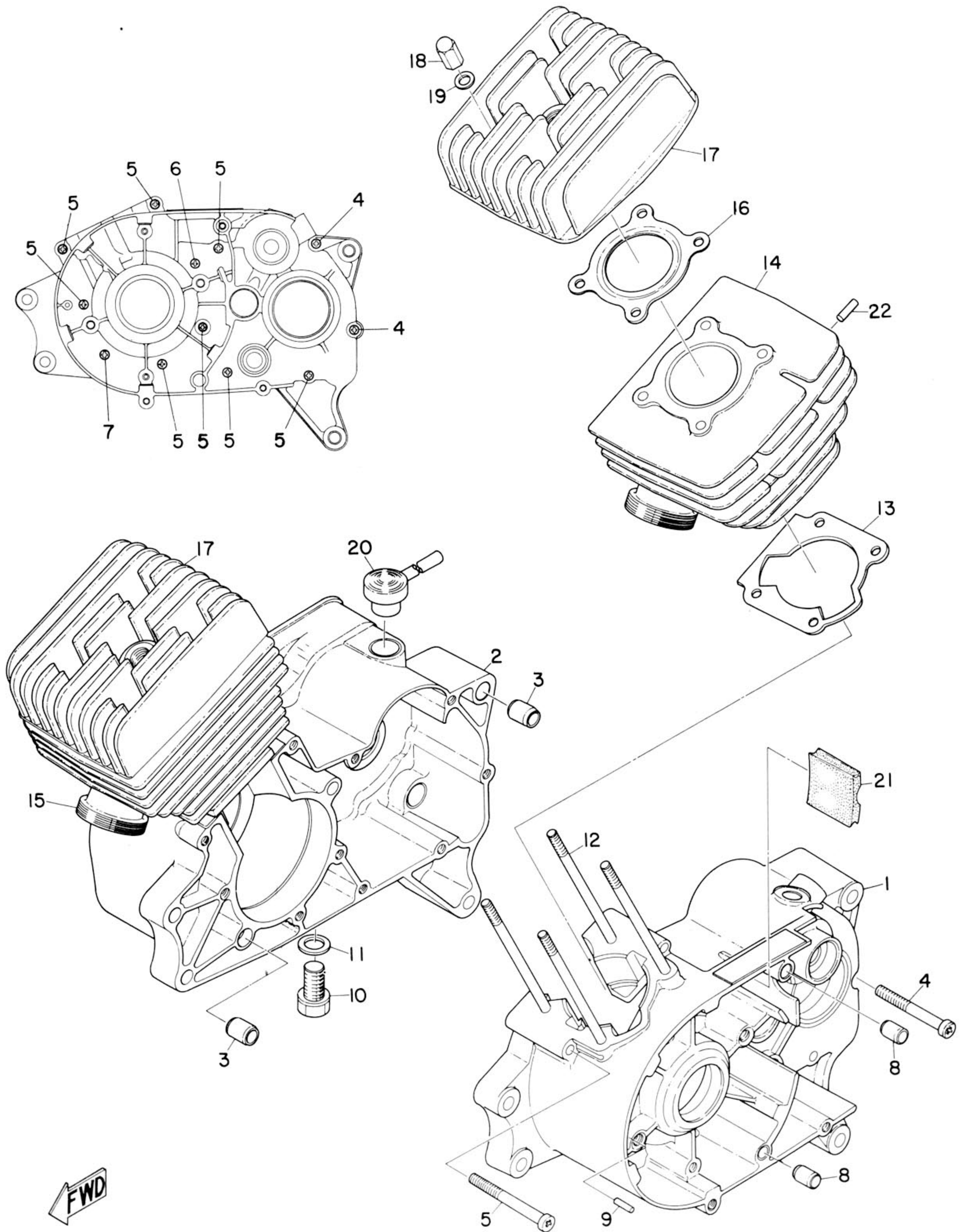
# ENGINE







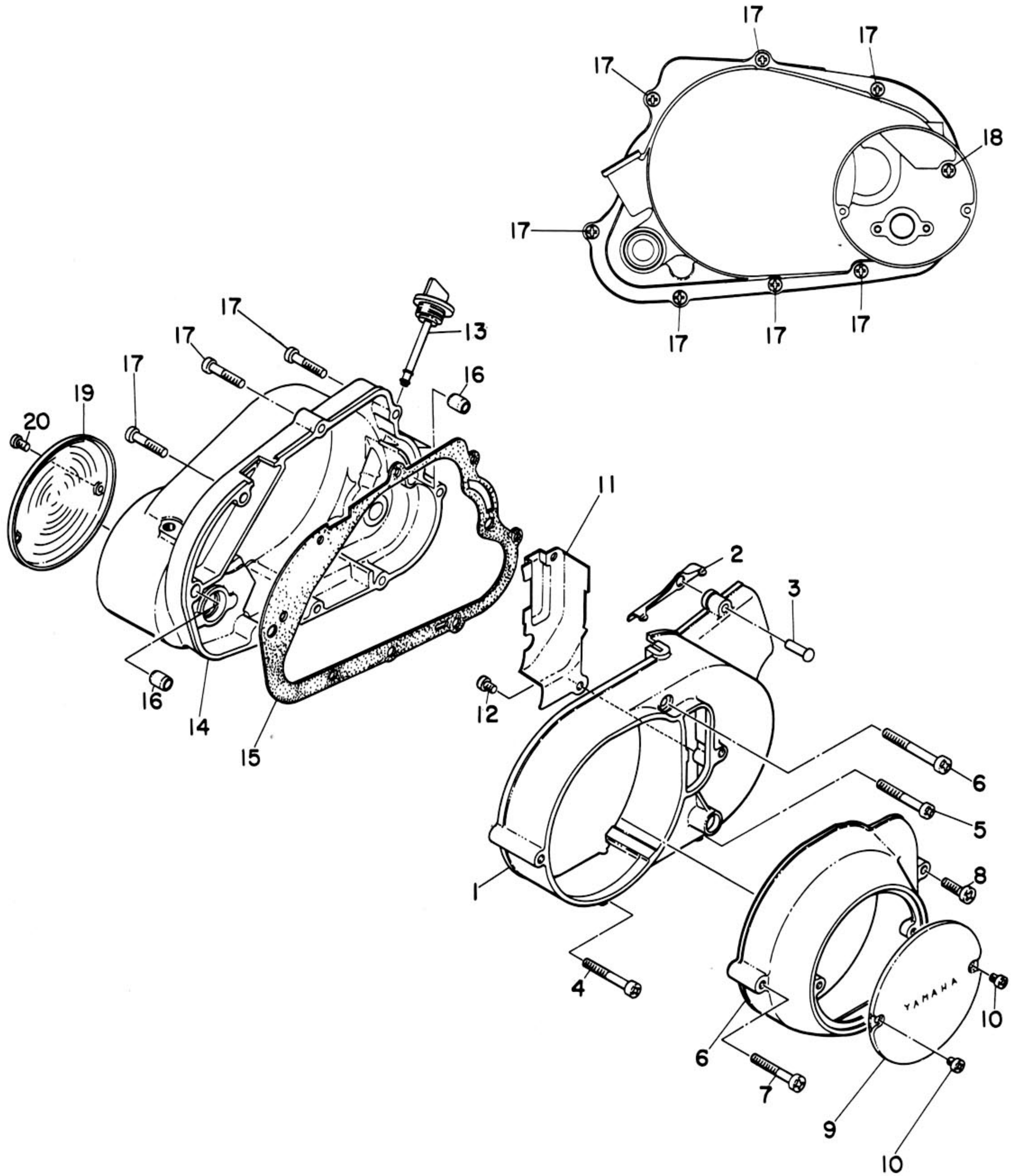
Fig. 1 CRANK CASE



# CRANK CASE

Ref No.	Parts No.	Parts Name	Description	Q'ty	S·R	Remarks
1- 1	183-15111-01	CASE, crank (L.H)		1		
1- 2	183-15121-00	CASE, crank (R.H)		1		
1- 3	91810-08016	PIN, dowel	9.8-12-16	2		
1- 4	92501-06055	SCREW, pan head		2		
1- 5	92501-06060	SCREW, pan head		8		
1- 6	92501-06070	SCREW, pan head		1		
1- 7	92501-06080	SCREW, pan head		1		
1- 8	91810-03014	PIN, dowel	8.4-10-14	2		
1- 9	93603-14026	PIN, dowel	3-14	1		
1-10	132-15351-00	PLUG, drain		1		
1-11	132-15353-00	GASKET, drain plug	12.5-19-1.5	1		
1-12	122-11361-00	BOLT, cylinder holding		8		
1-13	183-11351-00	GASKET, cylinder		2		
1-14	183-11311-01	CYLINDER (L.H)		1		
1-15	183-11321-01	CYLINDER (R.H)		1		
1-16	183-11181-00	GASKET, cylinder head		2		
1-17	183-11111-00	HEAD, cylinder		2		
1-18	126-11171-60	NUT, cylinder holding		8		
1-19	92901-06200	WASHER, plain		8		
1-20	132-15371-00	BREATHER		1		
1-21	183-15357-00	GROMMET		1		
1-22	93602-10061	PIN, dowel	2-9.8	2		

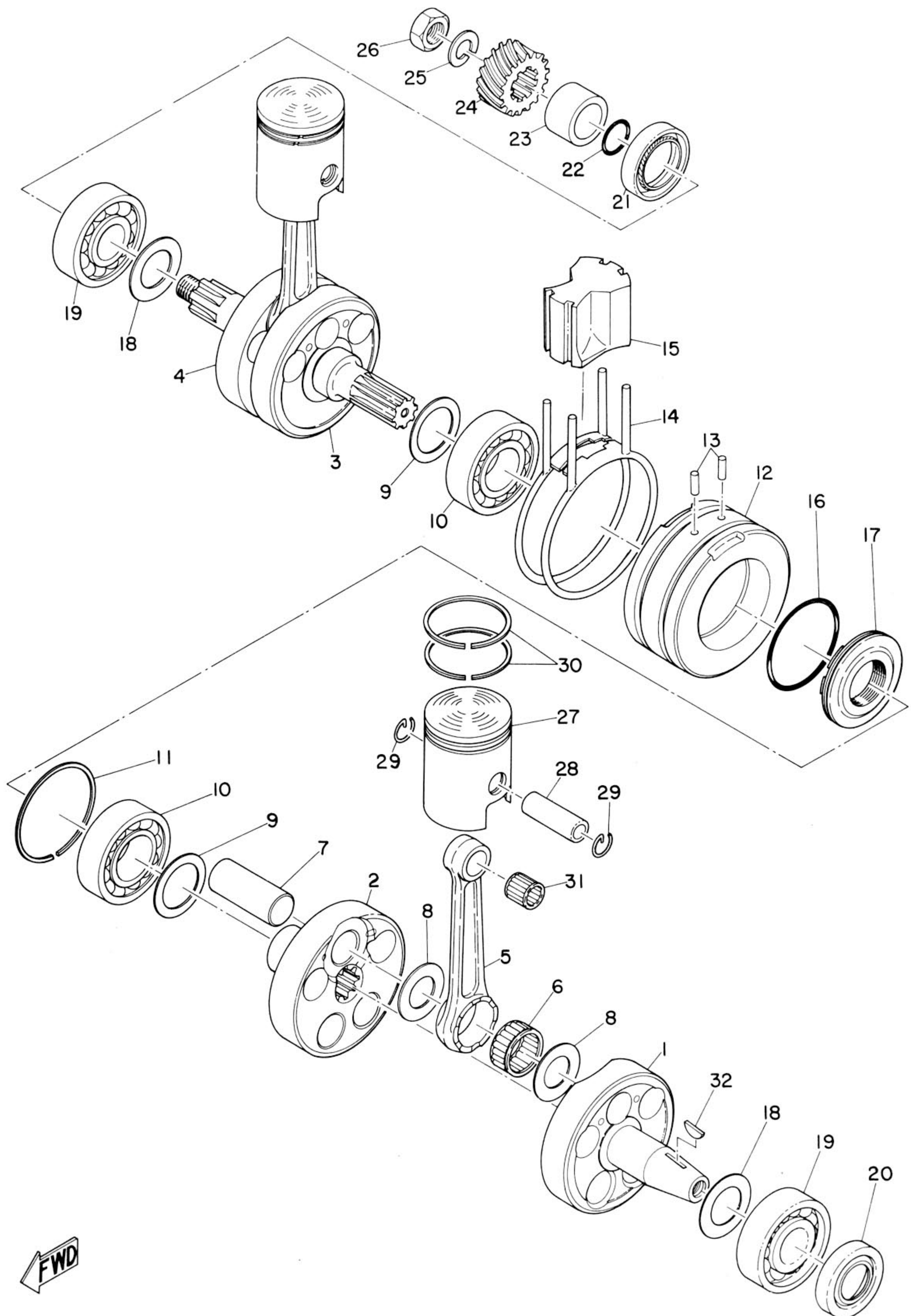
Fig. 2 CRANKCASE COVER



# CRANKCASE COVER

Ref No.	Parts No.	Parts Name	Description	Q'ty	S·R	Remarks
2- 1	183-15410-00	CRANK CASE COVER ASS'Y		1		
2- 2	183-15418-01	. COVER, chain case	(L.H)	1		
2- 3	183-15448-00	. RIVET		1		
2- 4	92501-06045	SCREW, pan head		2		
2- 5	92501-06055	SCREW, pan head		1		
2- 6	183-15425-01	COVER, generator (2)		1		
2- 7	92501-06040	SCREW, pan head		1		
2- 8	92501-06020	SCREW, pan head		1		
2- 9	164-15415-00	COVER, generator (1)		1		
2-10	98501-04005	SCREW, pan head		2		
2-11	174-18428-00	SEAL, dust		1		
2-12	92501-06008	SCREW, pan head		2		
2-13	174-15363-00	PLUG, oil		1		
2-14	183-15421-01	COVER, crank case (R.H)		1		
2-15	132-15451-00	GASKET, crank case cover (R.H)		1		
2-16	91810-03014	PIN, dowel	8.4-10-14	2		
2-17	92501-06030	SCREW, pan head		7		
2-18	92501-06040	SCREW, pan head		1		
2-19	132-15416-00	COVER, oil pump		1		
2-20	98501-04010	SCREW, pan head		2		

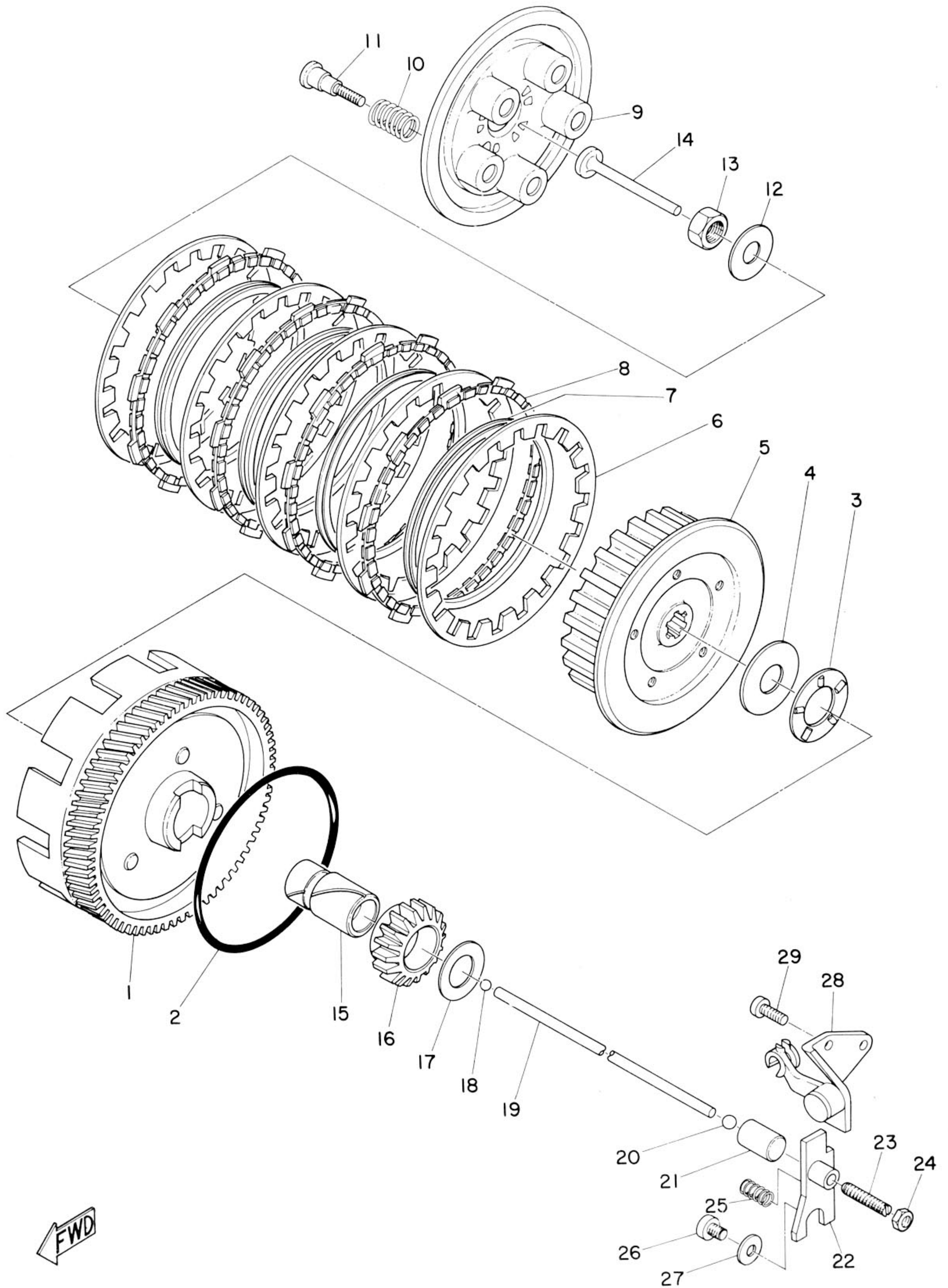
Fig. 3 CRANK SHAFT & PISTON



# CRANK SHAFT & PISTON

Ref No.	Parts No.	Parts Name	Description	Q'ty	S·R	Remarks
3- 0-1	218-11400-00	CRANK ASS'Y		1		
3- 1	183-11412-02	. CRANK 1 (L.H)		1		
3- 2	132-11422-03	. CRANK 1 (R.H)		1		
3- 3	132-11432-03	. CRANK 2 (L.H)		1		
3- 4	183-11442-02	. CRANK 2 (R.H)		1		
3- 5	183-11651-00	. ROD, connecting		2		
3- 6	93310-41809	. BEARING	18-24-11.6	2		☆
3- 7	122-11681-00	. PIN, crank		2		
3- 8	132-11685-00	. WASHER, crank pin		4		
3- 9	132-11561-00	. SHIM, crank inside	25.5-35- 0.3	2		
3-10	93306-20504	. BEARING	6205C3	2		☆
3-11	93450-52010	. CIRCLIP	52φ	1		
3-12	132-11511-02	. COVER, crank		1		
3-13	93604-18058	. PIN, dowel		2		
3-14	183-11512-00	. SEAL, crank cover		2		
3-15	183-11541-00	. METAL, filler		1		
3-16	93210-48045	. O-RING	1.8-48	1		
3-17	132-11515-01	. SEAL, labyrinth		1		
3-18	136-11561-00	SHIM, crank outside	20.5-30- <sup>0.3</sup> / <sub>0.8</sub>	2		
3-19	93306-30403	BEARING	6304C3	2		☆
3-20	93102-20010	OIL SEAL	SD-20-40- 8	1		
3-21	93103-28011	OIL SEAL	SW-28-40- 8	1		
3-22	93210-18023	O-RING	1.2-17.6	1		
3-23	183-16136-00	COLLAR, distance		1		
3-24	183-16111-00	GEAR, primary drive	19T	1		
3-25	92901-12100	WASHER, spring		1		
3-26	137-16377-00	NUT, clutch boss		1		
3-27	183-11631-02	PISTON		2		
	183-11631-12	PISTON (1st o. s)	0.25mm	2		
	183-11631-22	PISTON (2nd o. s)	0.5mm	2		
3-28	183-11633-00	PIN, piston		2		
3-29	132-11634-00	CLIP, piston pin		4		
3-30	183-11601-00	PISTON RING SET		2s		
	183-11601-10	PISTON RING SET (1st o. s)	0.25mm	2s		
	183-11601-20	PISTON RING SET (2nd o. s)		2s		
3-31	93310-11201	BEARING	12-15-14.3	2		☆
3-32	146-11545-00	KEY, woodruff		1		

Fig. 4 CLUTCH

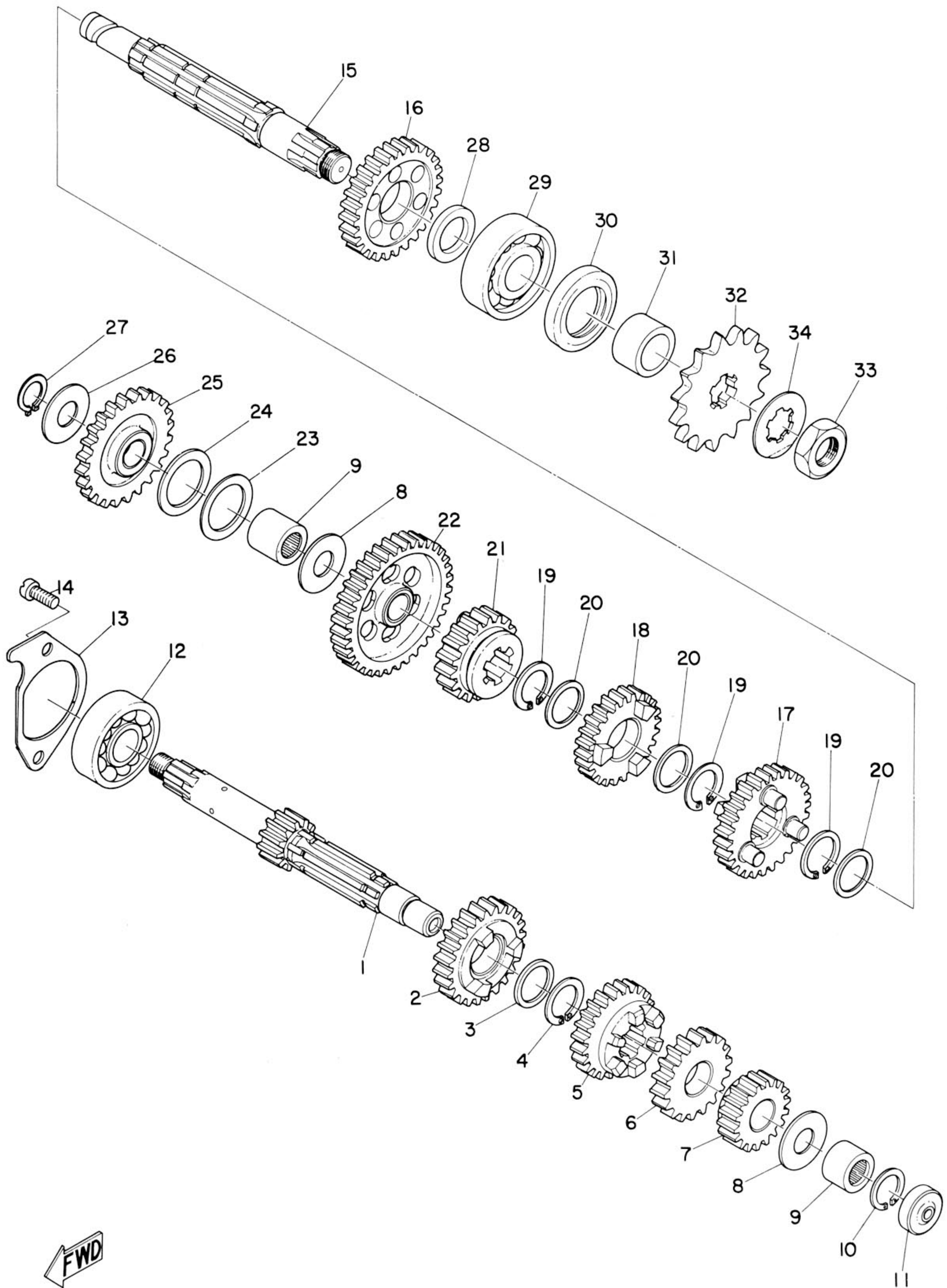




# CLUTCH

Ref No.	Parts No.	Parts Name	Description	Q'ty	S·R	Remarks
4- 0-1	183-16301-01	CLUTCH ASS'Y		1		
4- 1	183-16150-00	. PRIMARY DRIVEN GEAR COMP.		1		
4- 2	132-16369-00	. RING, friction		1		
4- 3	93341-22302	. BEARING, thrust		1		☆
4- 4	131-16154-00	. PLATE, thrust	17.2-37- 2.0	1		
4- 5	132-16371-03	. BOSS, clutch		1		
4- 6	137-16324-00	. PLATE, clutch		5		
4- 7	137-16367-00	. RING, cushion		4		
4- 8	132-16321-00	. PLATE, friction		4		
4- 9	132-16351-00	. PLATE, pressure		1		
4-10	137-16333-00	. SPRING, clutch		5		
4-11	137-16337-01	. SCREW, spring		5		
4-12	137-16378-00	WASHER, clutch boss		1		
4-13	137-16377-00	NUT, clutch boss		1		
4-14	137-16356-00	ROD, push 1		1		
4-15	183-16181-00	SPACER	17-23-44.25	1		
4-16	132-15631-00	GEAR, kick pinion	19T	1		
4-17	122-16164-00	PLATE, thrust	17.2-30- 2.0	1		
4-18	93501-04004	BALL	1/4"	1		☆
4-19	183-16357-00	ROD, push 2	183.5ℓ	1		
4-20	93505-16006	BALL	5/16"	1		☆
4-21	174-16348-00	CROWN, push		1		
4-22	174-16362-00	LEVER, push		1		
4-23	164-16343-00	SCREW, adjusting		1		
4-24	92801-06300	NUT		1		
4-25	174-16365-00	SPRING, return		1		
4-26	92501-06008	SCREW, pan head		1		
4-27	174-16359-00	WASHER, push lever		1		
4-28	174-16340-00	PUSH LEVER ASS'Y		1		
4-29	92501-06015	SCREW, pan head		3		

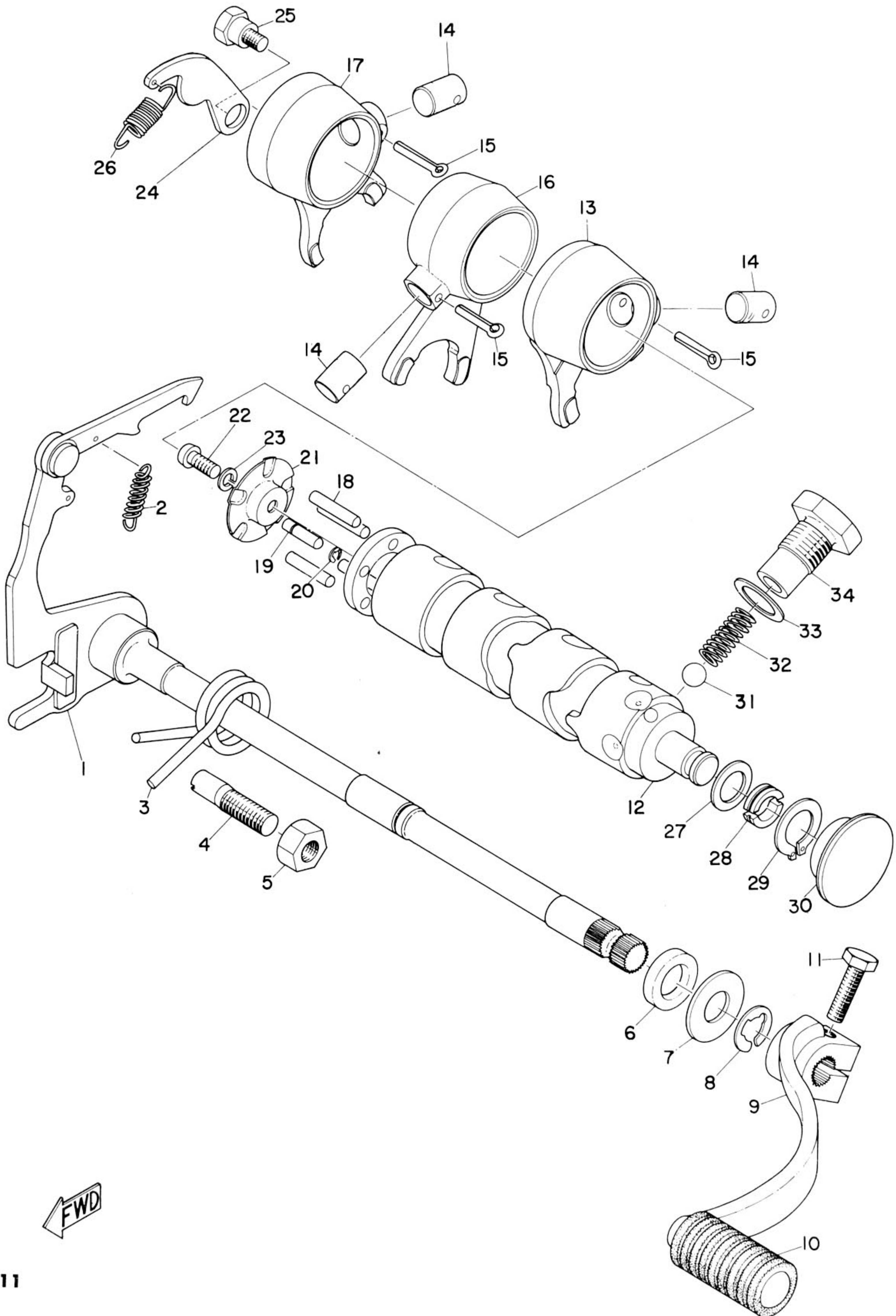
Fig. 5 TRANSMISSION



# TRANSMISSION

Ref No.	Parts No.	Parts Name	Description	Q'ty	S·R	Remarks
5- 0-1	183-17401-00	MAIN AXLE ASS'Y		1		
5- 1	183-17411-00	. AXLE, main	11T	1		
5- 2	183-17151-00	. GEAR, 5th pinion	25T	1		
5- 3	132-17216-00	. WASHER, gear hold	20-25-1.0	1		
5- 4	132-17414-00	. CLIP, main axle		1		
5- 5	183-17141-00	. GEAR, 4th pinion	22T	1		
5- 6	183-17131-00	. GEAR, 3rd pinion	20T	1		
5- 7	183-17121-01	. GEAR, 2nd pinion	16T	1		
5- 8	164-17427-00	SHIM, drive axle	15.2-30-0.6 , 0.8, 1.0	2		
5- 9	93315-31501	BEARING		2		☆
5-10	93450-22012	CIRCLIP		1		
5-11	132-15389-00	SEAL, push rod		1		
5-12	93306-30301	BEARING	6303	1		☆
5-13	164-17471-02	PLATE, bearing cover		1		
5-14	92501-06015	SCREW, pan head		2		
5- 0-2	183-17402-00	DRIVE AXLE ASS'Y		1		
5-15	183-17421-00	. AXLE, drive		1		
5-16	183-17221-01	. GEAR, 2nd wheel	29T	1		
5-17	183-17231-00	. GEAR, 3rd wheel	26T	1		
5-18	183-17241-00	. GEAR, 4th wheel	23T	1		
5-19	132-17414-00	. CLIP, main axle		3		
5-20	132-17216-00	. WASHER, gear hold		3		
5-21	183-17251-00	. GEAR, 5th wheel	21T	1		
5-22	183-17211-00	. GEAR, 1st wheel	35T	1		
5-23	131-15653-00	WASHER, plain	15.3-22-1.0	1		
5-24	131-15643-00	WASHER, wave		1		
5-25	183-15651-00	GEAR, kick idle	28T	1		
5-26	164-17427-00	SHIM, drive axle	15.2-30-1.0	1		
5-27	93410-15005	CIRCLIP	S15	1		
5-28	183-17429-00	SPACER	20-30-3	1		
5-29	93306-30401	BEARING	6304	1		☆
5-30	93102-28021	OIL SEAL	SD-28-44- <sub>7</sub>	1		
5-31	174-17462-00	COLLAR, distance	20-28-14.4	1		
5-32	174-17461-40	SPROCKET, drive	14T	1		
	174-17461-50	SPROCKET, drive	15T	1		
	174-17461-60	SPROCKET, drive	16T	1		
5-33	102-17463-00	NUT, sprocket		1		
5-34	102-17464-00	WASHER, sprocket		1		

Fig. 6 SHIFTER

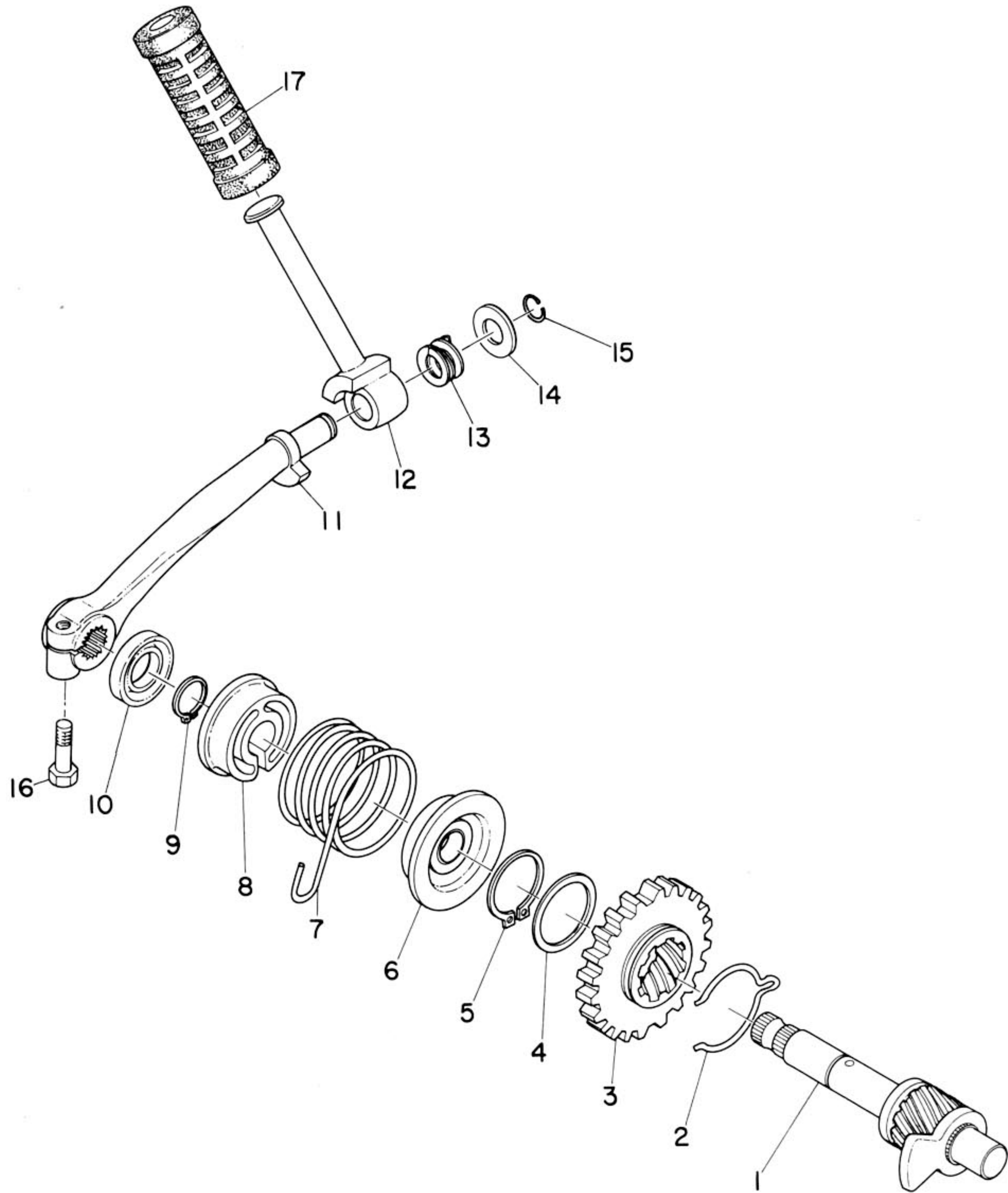


FWD

# SHIFTER

Ref No.	Parts No.	Parts Name	Description	Q'ty	S·R	Remarks
6- 1	183-18101-00	CHANGE SHAFT ASS'Y		1		
6- 2	132-18123-00	SPRING, shift arm		1		
6- 3	132-18124-00	SPRING, shaft return		1		
6- 4	132-18133-00	SCREW, adjusting		1		
6- 5	98801-08100	NUT		1		
6- 6	93101-12004	OIL SEAL	S-12-22-5	1		
6- 7	132-18137-00	WASHER, change axle	12.1-26-1.6	1		
6- 8	93430-10016	CIRCLIP	E10	1		
6- 9	183-18111-01	PEDAL, change		1		
6-10	132-18113-01	COVER, change pedal		1		
6-11	91201-06020	BOLT		1		
6- 0-1	183-18500-01	SHIFTER ASS'Y		1		
6-12	183-18541-01	. CAM, shift		1		
6-13	183-18511-00	. FORK, shift 1		1		
6-14	164-18552-01	. PIN, cam follower		3		
6-15	91401-25020	. PIN, cotter		3		
6-16	183-18512-00	. FORK, shift 2		1		
6-17	183-18513-00	. FORK, shift 3		1		
6-18	93604-22050	. PIN, dowel	4-21.8	4		
6-19	174-18544-00	. PIN, locating		1		
6-20	93430-03014	. CIRCLIP	E2.5	1		
6-21	164-18561-00	. PLATE, side		1		
6-22	98501-05012	. SCREW, pan head		1		
6-23	92901-05100	. WASHER, spring		1		
6-24	132-18148-01	LEVER, stopper		1		
6-25	132-18177-00	BOLT, stopper		1		
6-26	132-18143-00	SPRING, stopper		1		
6-27	164-18572-00	WASHER, plain	12.1-18-1.0	1		
6-28	164-18571-00	HOLDER, snift cam		2		
6-29	93440-15012	CIRCLIP	15φ	1		
6-30	132-18533-01	PLUG, brind		1		
6-31	93505-16006	BALL	5/16"	1		☆
6-32	174-18558-00	SPRING, neutral		1		
6-33	173-15353-00	GASKET	14.5-21-1.5	1		
6-34	174-18578-00	SCREW, spring		1		

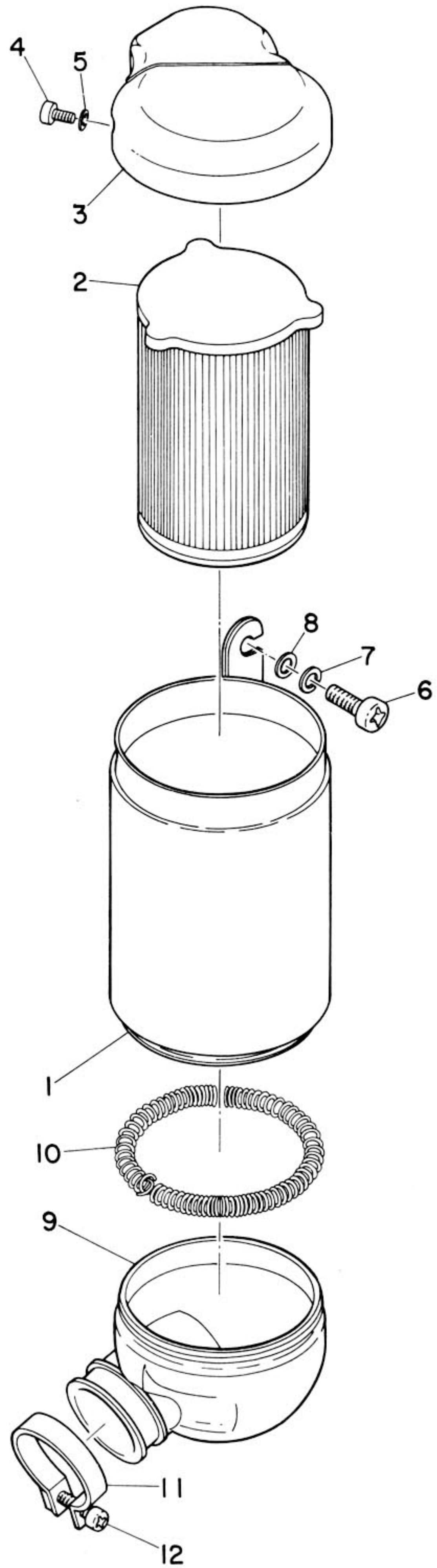
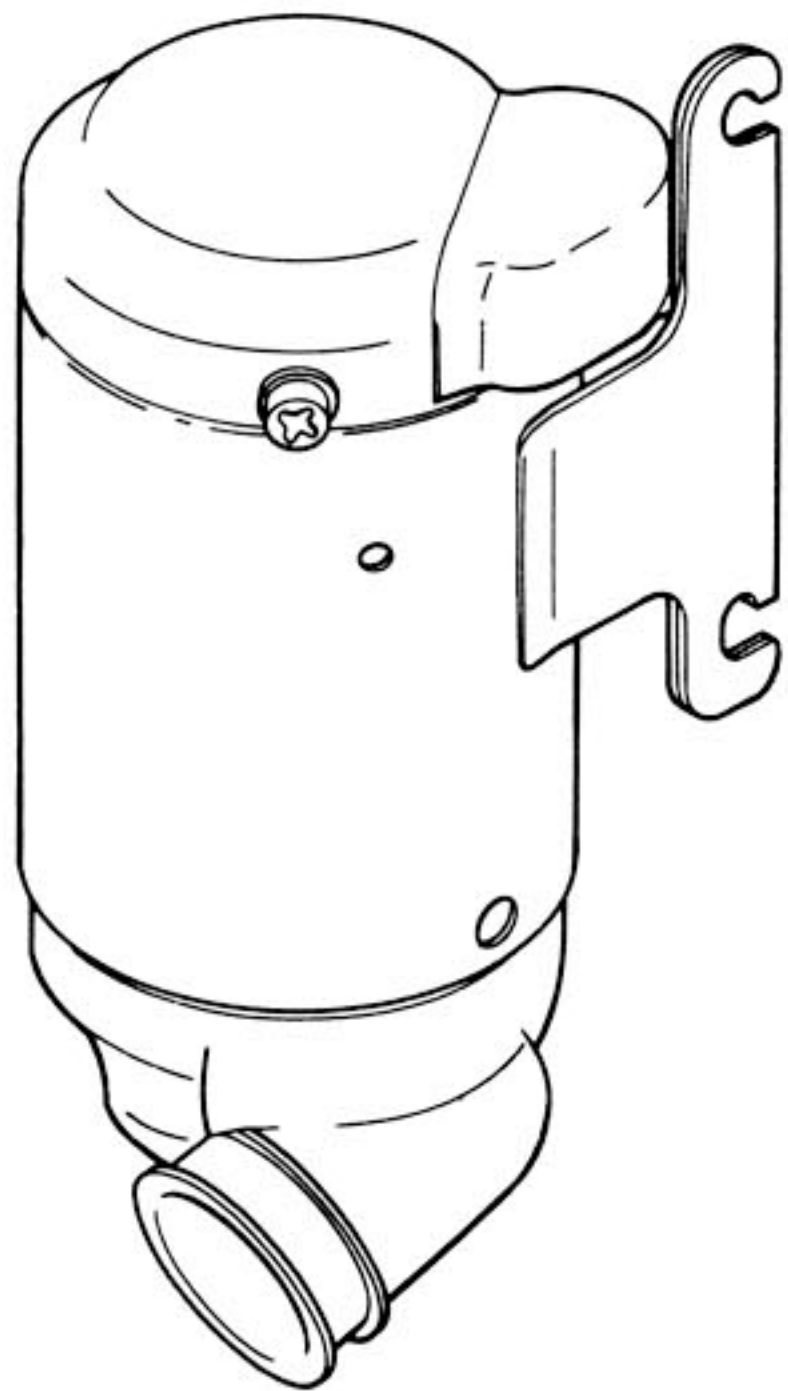
Fig. 7 KICK



# KICK

Ref No.	Parts No.	Parts Name	Description	Q'ty	S·R	Remarks
7- 1	180-15661-00	AXLE, kick		1		
7- 2	180-15687-00	CLIP, kick roller		1		
7- 3	180-15641-00	GEAR, kick	28T	1		
7-44	117-15644-00	SHIM	25.1-32-1.9	1		
7- 5	93410-25017	CIRCLIP	S25	1		
7- 6	132-15664-00	GUIDE, kick spring		1		
7- 7	132-15665-00	SPRING, kick		1		
7- 8	132-15676-00	COVER, kick spring		1		
7- 9	93410-15005	CIRCLIP	S15	1		
7-10	93109-15001	OIL SEAL	SDO-15- 26-6	1		
7- 0-1	178-15610-00	KICK CRANK ASS'Y		1		
7-11	178-15611-00	. CRANK, kick		1		△
7-12	194-15612-00	. LEVER, kick		1		
7-13	132-15625-00	. SPRING, kick crank 1		1		
7-14	132-15616-00	. WASHER, kick lever		1		
7-15	132-15617-00	. CLIP, kick lever		1		
7-16	91101-06020	BOLT		1		
7-17	156-15618-01	COVER, kick lever		1		

Fig. 8 AIR CLEANER

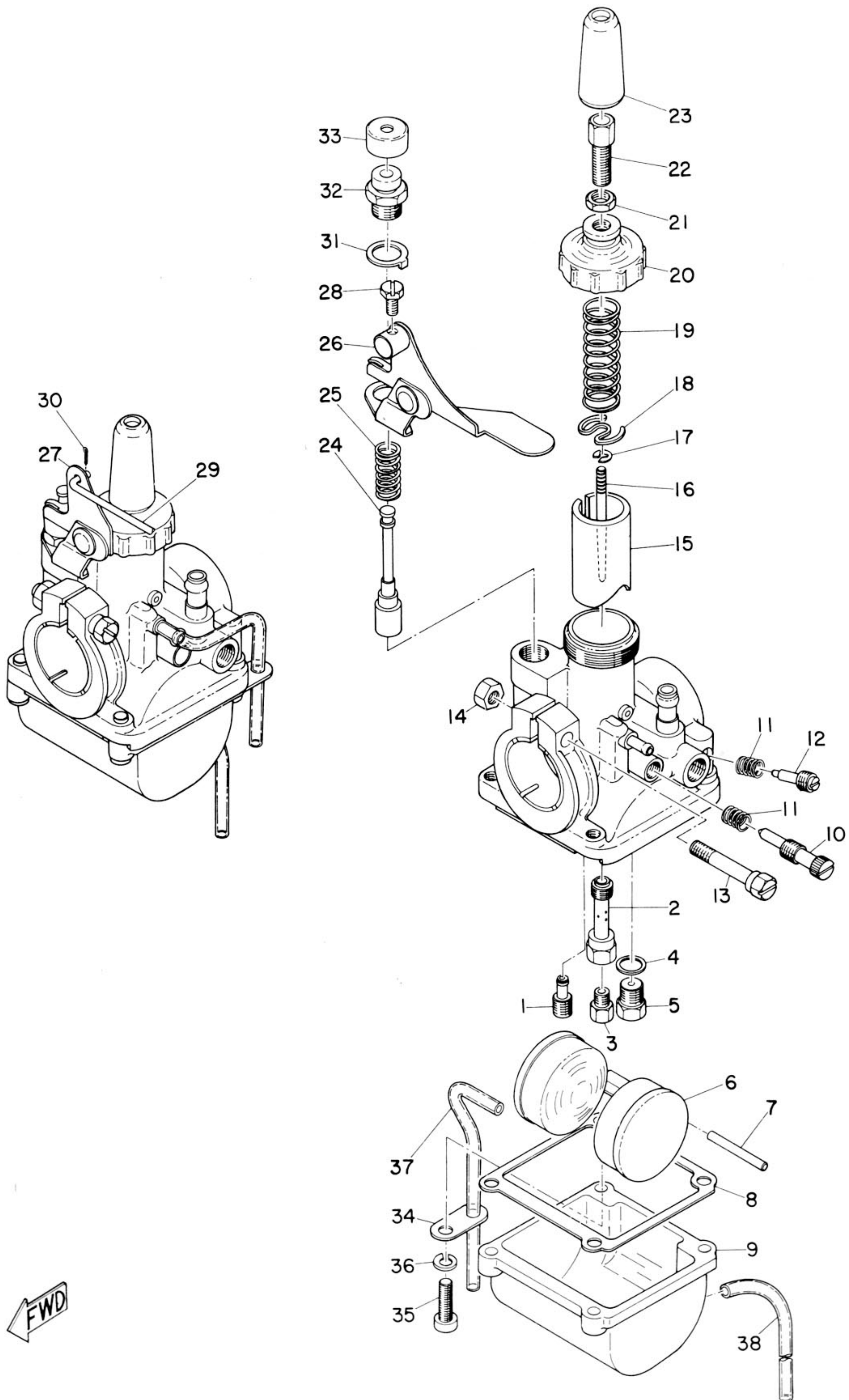




# AIR CLEANER

Ref No.	Parts No.	Parts Name	Description	Q'ty	S·R	Remarks
8- 1	183-14411-01	CASE, air cleaner (L.H)		1		
	183-14421-01	CASE, air cleaner (R.H)		1		
8- 2	183-14451-00	ELEMENT, air cleaner		2		
8- 3	183-14412-00	CAP, case (L.H)		1		
	183-14422-00	CAP, case (R.H)		1		
8- 4	98501-05008	SCREW, pan head		2		
8- 5	92901-05200	WASHER, plain		2		
8- 6	92501-06015	SCREW, pan head		4		
8- 7	92901-06100	WASHER, spring		4		
8- 8	92901-06200	WASHER, plain		4		
8- 9	183-14453-00	JOINT, cleaner (L.H)		1		
	183-14463-00	JOINT, cleaner (R.H)		1		
8-10	183-14456-00	BAND, cleaner joint		2		
8-11	217-14456-00	BAND 2		2		
8-12	98501-05020	. SCREW, pan head		2		

Fig. 9 CARBURETOR

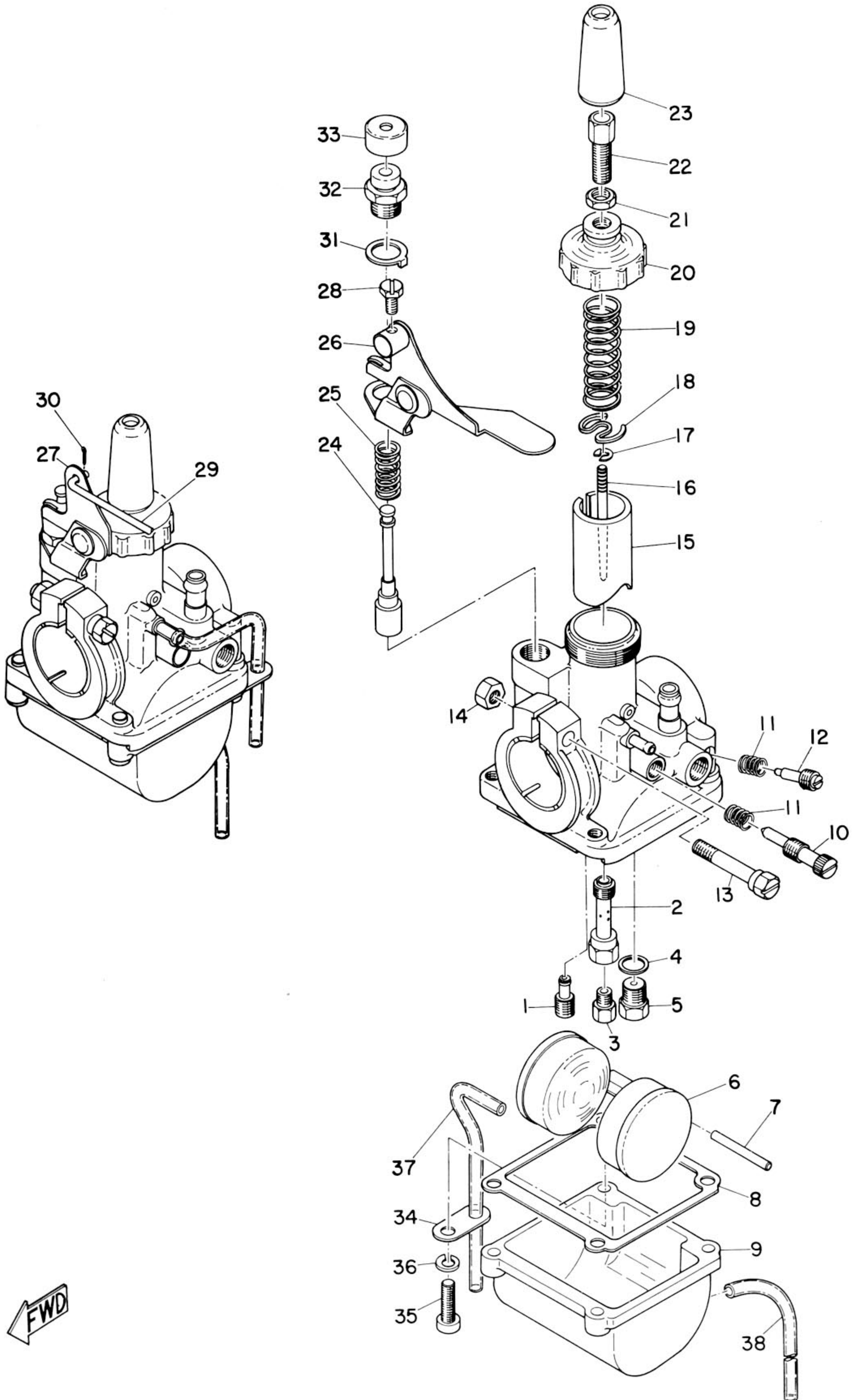


FWD

# CARBURETOR

Ref No.	Parts No.	Parts Name	Description	Q'ty	S·R	Remarks
9- 0-1	218-14101-61	CARBURETOR ASS'Y (L.H.)		1		
9- 0-2	218-14102-61	CARBURETOR ASS'Y (R.H.)		1		
9- 1	193-14142-17	. JET, pilot	#17.5	2		
9- 2	164-14141-30	. NOZZLE, main	0-0	2		
9- 3	137-14143-15	. JET, main	#75	2		
	137-14143-17	. JET, main	#85	2		
	137-14143-19	. JET, main	#95	2		S. T. D.
	137-14143-20	. JET, main	#100	2		
	137-14143-22	. JET, main	#110	2		
9- 4	127-14195-00	. WASHER, valve seat		2		
9- 5	127-14190-15	. VALVE SEAT ASS'Y	#1.5	2		
9- 6	164-14185-00	. FLOAT		2		
9- 7	137-14186-00	. PIN, float		2		
9- 8	164-14184-00	. GASKET, float chamber		2		
9- 9	174-14181-01	. BODY, float chamber		2		
9-10	174-14122-00	. SCREW, throttle		2		
9-11	174-14134-00	. SPRING, air adjusting		4		
9-12	174-14123-00	. SCREW, air adjusting		2		
9-13	127-14125-00	. SCREW, body fitting		2		
9-14	127-14164-00	. NUT, holding		2		
9-15	183-14112-20	. VALVE, throttle (L.H.)	#2.0	1		
	183-14113-20	. VALVE, throttle (R.H.)	#2.0	1		
9-16	156-14116-09	. NEEDLE	4D9-4	2		
9-17	164-14137-00	. CLIP		2		
9-18	174-14136-00	. SEAT, spring		2		
9-19	174-14131-01	. SPRING, throttle valve		2		
9-20	174-14158-01	. TOP, mixing chamber		2		
9-21	127-14161-00	. NUT, wire adjusting		2		
9-22	127-14124-23	. SCREW, wire adjusting		2		
9-23	174-14169-01	. CAP		2		
9-24	174-14171-00	. PLUNGER, starter		2		
9-25	132-14135-00	. SPRING, plunger		2		
9-26	183-14175-01	. LEVER, starter (L.H.)		1		
9-27	183-14176-00	. LEVER, starter (R.H.)		1		
9-28	193-14486-00	. SCREW, rod		1		
9-29	132-14177-00	. ROD, starter lever		1		
9-30	91401-12006	. PIN, cotter		1		
9-31	174-14178-00	. PLATE, starter lever		2		

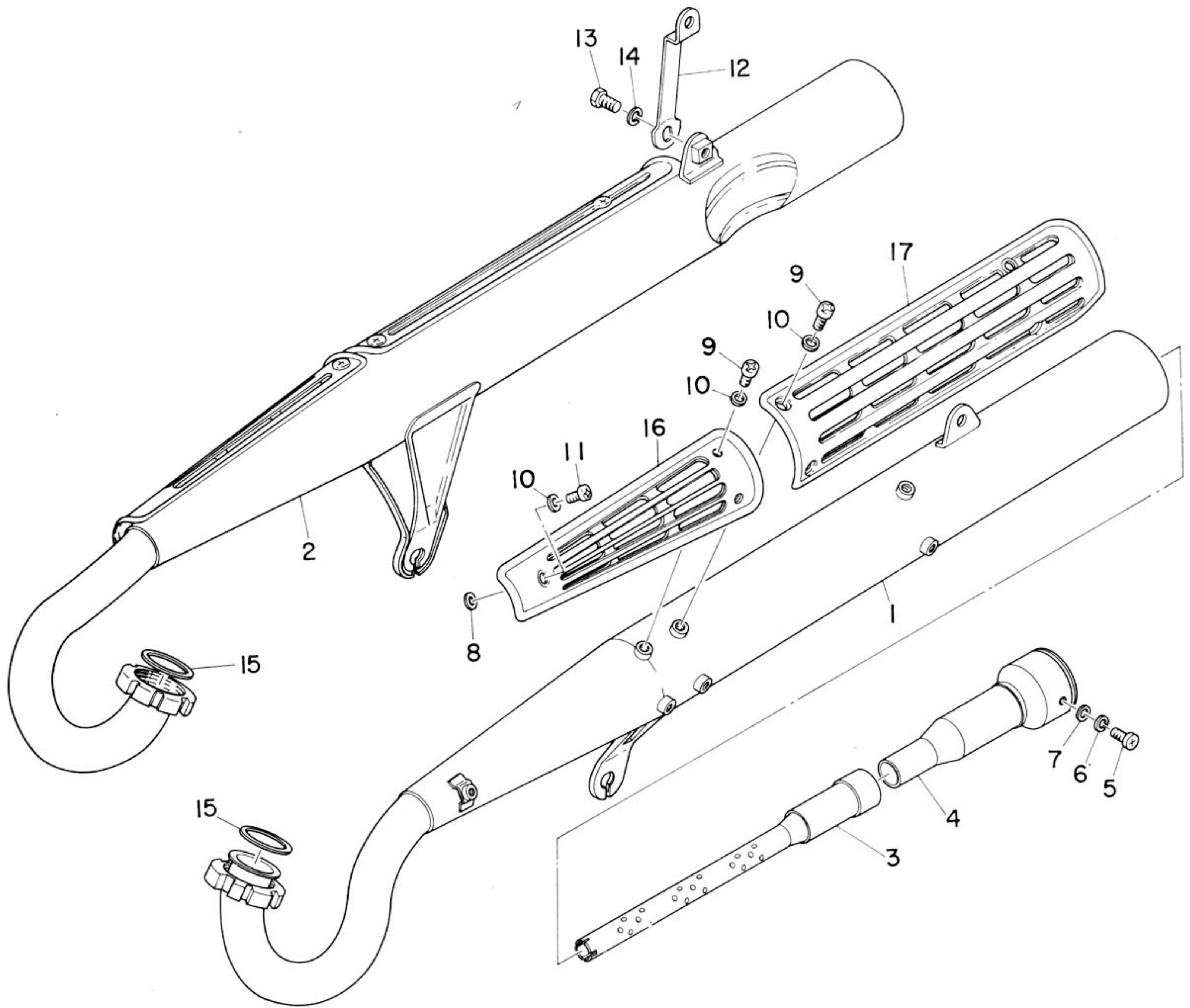
Fig. 9 CARBURETOR



# CARBURETOR

Ref No.	Parts No.	Parts Name	Description	Q'ty	S·R	Remarks
9-32	132-14174-00	. CAP, plunger		2		
9-33	132-14173-00	. COVER, plunger cap		2		
9-34	132-14146-00	. PLATE		2		
9-35	98501-04015	. SCREW, pan head		8		
9-36	92901-04100	. WASHER, spring		8		
9-37	183-14197-01	. PIPE, air vent	L=220	2		
9-38	183-14196-00	. PIPE, overflow	L=160	2		

Fig. 10 MUFFLER



# MUFFLER

Ref No.	Parts No.	Parts Name	Description	Q'ty	S·R	Remarks
10- 1	218-14610-30	EXHAUST PIPE ASS'Y (L.H)		1		
10- 2	218-14620-30	EXHAUST PIPE ASS'Y (R.H)		1		
10- 3	218-14753-30	. SILENCER		2		
10- 4	222-14752-30	. PIPE, outlet		2		
10- 5	91903-06010	. SCREW, pan head		2		
10- 6	92901-06100	. WASHER, spring		2		
10- 7	92901-06200	. WASHER, plain		2		
10- 8	218-14766-10	WASHER, protector		2		
10- 9	91903-06008	SCREW		12		
10-10	178-14766-00	WASHER, protector		14		
10-11	91903-06010	SCREW		2		
10-12	183-14771-30	STAY, muffler		2		
10-13	97203-08015	BOLT		2		
10-14	92901-08100	WASHER, spring		2		
10-15	132-14613-00	GASKET, exhaust pipe		2		
10-16	183-14718-30	PROTECTOR, muffler 1		2		
10-17	183-14728-30	PROTECTOR, muffler 2		2		

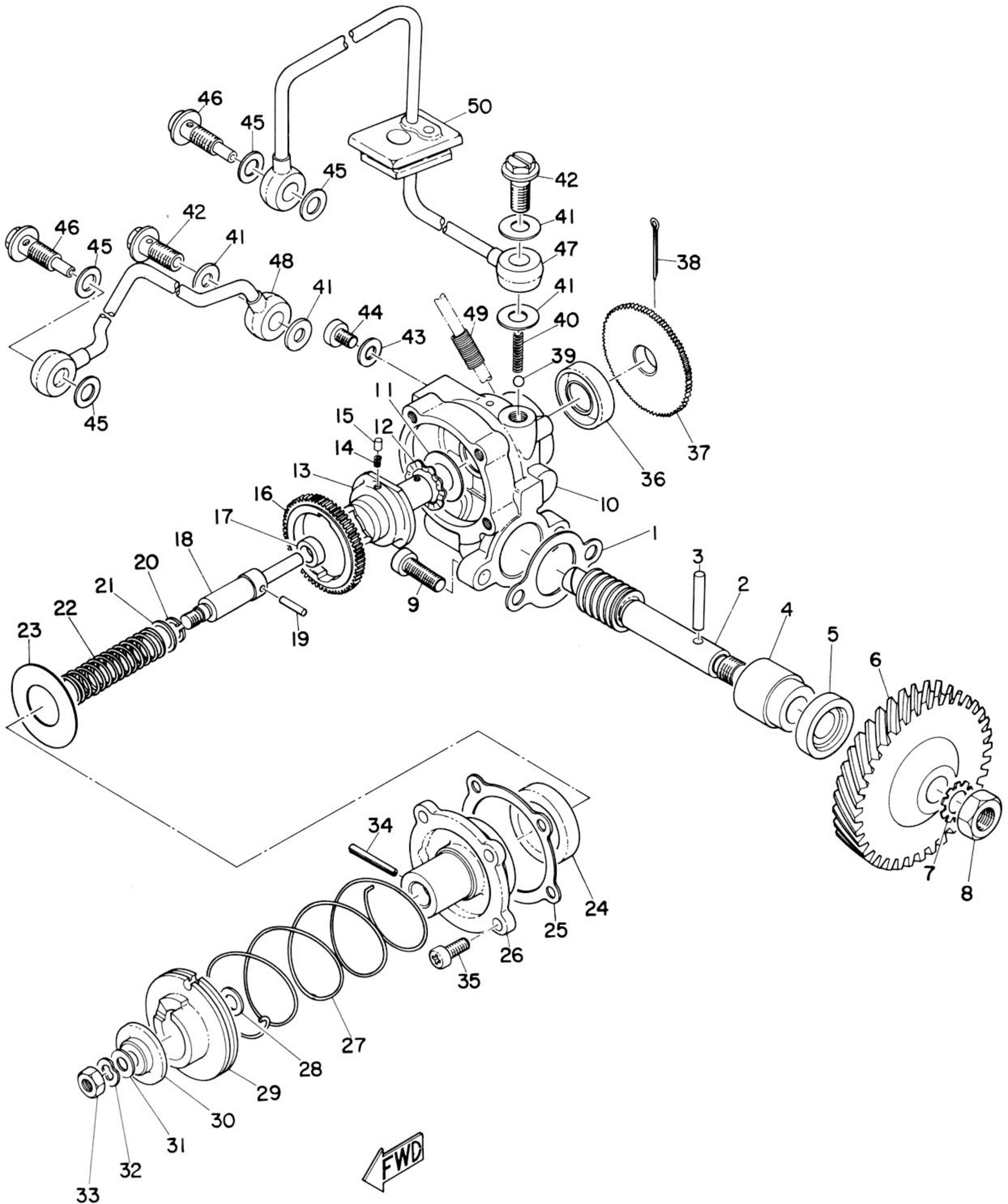




# OIL PUMP

Ref No.	Parts No.	Parts Name	Description	Q'ty	S·R	Remarks
11- 1	126-13116-00	GASKET, pump case		1		
11- 2	174-13175-00	SHAFT, worm		1		
11- 3	93603-22028	PIN, dowel	3-22	1		
11- 4	137-13176-00	METAL, worm shaft outer		1		
11- 5	93101-10002	OIL SEAL	S-10-22-7	1		
11- 6	132-13178-01	GEAR, drive	34T	1		
11- 7	92901-08400	WASHER, tooth		1		
11- 8	98801-08300	NUT		1		
11- 9	98501-05015	SCREW, pan head		2		
11- 0-1	183-13101-01	OIL PUMP ASS'Y		1		
11-10	170-13110-00	. PUMP CASE ASS'Y		1		△
11-11	137-13148-00	. PLATE, cam thrust	10.2-16.5- 0.3	1		
11-12	137-13129-00	. WASHER, wave		1		
11-13	156-13120-00	. DISTRIBUTOR ASS'Y		1		△
11-14	137-13125-00	. SPRING, pin return		2		
11-15	93602-04029	. PIN, dowel	2-3.5	2		
11-16	115-13124-60	. GEAR, worm wheel	55T	1		
11-17	93104-04001	. OIL SEAL	SO-4-9-3	1		
11-18	137-13131-01	. PLUNGER		1		△
11-19	93603-12030	. PIN, plunger	2.5-11.8	1		
11-20	93440-08001	. CIRCLIP	8φ	1		
11-21	137-13134-00	. SEAT, spring	8.2-10.5- 0.5	1		
11-22	137-13135-00	. SPRING, plunger return		1		
11-23	137-13127-00	. PLATE, worm wheel	14.5-28.5- 0.5	1		
11-24	93104-14004	. OIL SEAL	SO-14-25-5	1		
11-25	137-13142-00	. GASKET, pump case cover		1		
11-26	137-13141-00	. COVER, pump case		1		△
11-27	156-13145-00	. SPRING, adjust pulley		1		
11-28	137-13137-00	. SHIM, plunger	5.8-10-0.1	1		
11-29	132-13144-00	. PULLEY, adjusting		1		
11-30	137-13138-00	. PLATE, adjusting		1		
11-31	137-13147-00	. SHIM 2	5.8-10-0.1	1		
11-32	92901-05100	. WASHER, spring		1		
11-33	98801-05200	. NUT		1		
11-34	91608-20010	. PIN, spring	2-10	1		
11-35	98501-04010	. SCREW, pan head		4		
11-36	93101-10001	. OIL SEAL	S-10-21-5	1		
11-37	137-13128-00	. PLATE, starter		1		

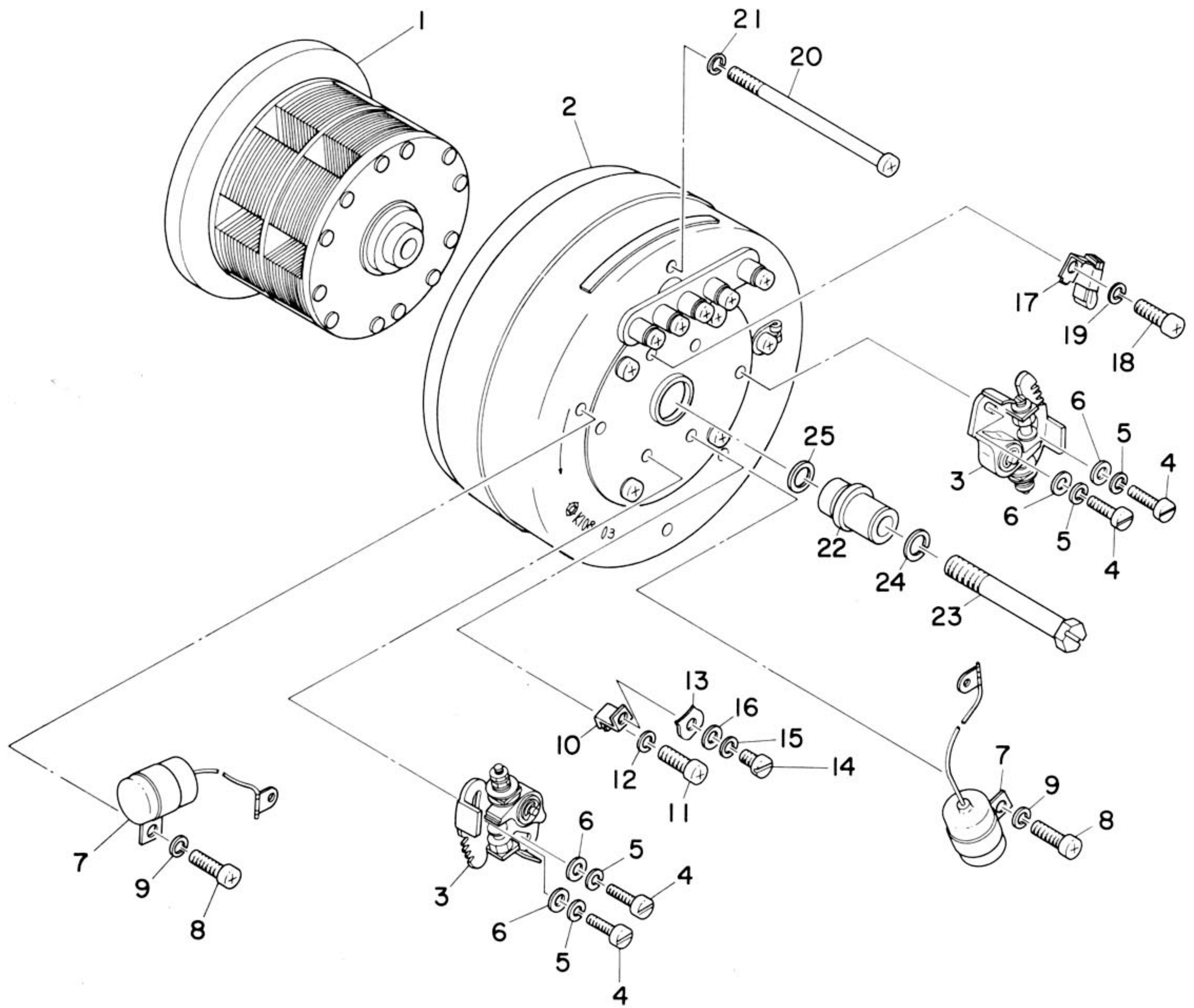
Fig. 11 OIL PUMP



# OIL PUMP

Ref No.	Parts No.	Parts Name	Description	Q'ty	S·R	Remarks
11-38	91401-12018	. PIN, cotter		1		
11-39	93505-32002	. BALL	5/32"	2		☆
11-40	137-13169-00	. SPRING, check ball		2		
11-41	137-13167-00	. GASKET, banjo bolt	6-13-0.5	4		
11-42	137-13165-00	. BOLT, banjo 1		2		
11-43	137-13187-00	. GASKET, breather	4.2-8.5-0.5	1		
11-44	98501-04005	. SCREW, pan head		1		
11-45	137-13167-00	GASKET, banjo bolt	6-13-0.5	4		
11-46	132-13166-00	BOLT, banjo 2		2		
11-47	183-13161-00	PIPE, delivery (L.H)		1		
11-48	183-13171-00	PIPE, delivery (R.H)		1		
11-49	126-13184-00	SPRING, oil pipe		1		
11-50	132-13174-00	HOLDER, oil pipe		1		

Fig. 12 A.C. MAGNET GENERATOR



# A.C. MAGNET GENERATOR

Ref No.	Parts No.	Parts Name	Description	Q'ty	S·R	Remarks
12- 0-1	183-81400-12	A. C. MAGNET GENERATOR ASS'Y		1		
12- 1	183-81450-11	. ROTOR ASS'Y		1		
12- 2	183-81410-11	. STATOR ASS'Y		1		
12- 3	132-81221-10	. . CONTACT BREAKER ASS'Y		2		
12- 4	98301-04008	. . SCREW, cylinder head		4		
12- 5	92901-04100	. . WASHER, spring		4		
12- 6	92901-04200	. . WASHER, plain		4		
12- 7	132-81426-10	. . CONDENSER		2		
12- 8	98501-04008	. . SCREW, pan head		2		
12- 9	92901-04100	. . WASHER, spring		2		
12-10	183-81433-10	. . FIXTURE, timing plate		1		
12-11	98501-04008	. . SCREW, pan head		1		
12-12	92901-04100	. . WASHER, spring		1		
12-13	132-81232-10	. . PLATE, timing		1		
12-14	98301-03006	. . SCREW, cylinder head		1		
12-15	92901-03100	. . WASHER, spring		1		
12-16	92901-03200	. . WASHER, plain		1		
12-17	132-81231-10	. . LUBRICATOR		1		
12-18	98501-04008	. . SCREW, pan head		1		
12-19	92901-04100	. . WASHER, spring		1		
12-20	183-81435-10	. SCREW, stator setting 1	5 $\phi$ -82	2		
12-21	92901-05100	. WASHER, spring		2		
12-22	183-81451-10	. CAM		1		
12-23	183-81452-10	. BOLT	7 $\phi$	1		
12-24	92901-08100	. WASHER, spring		1		
12-25	183-81462-10	. WASHER, plain		1		



# CHASSIS

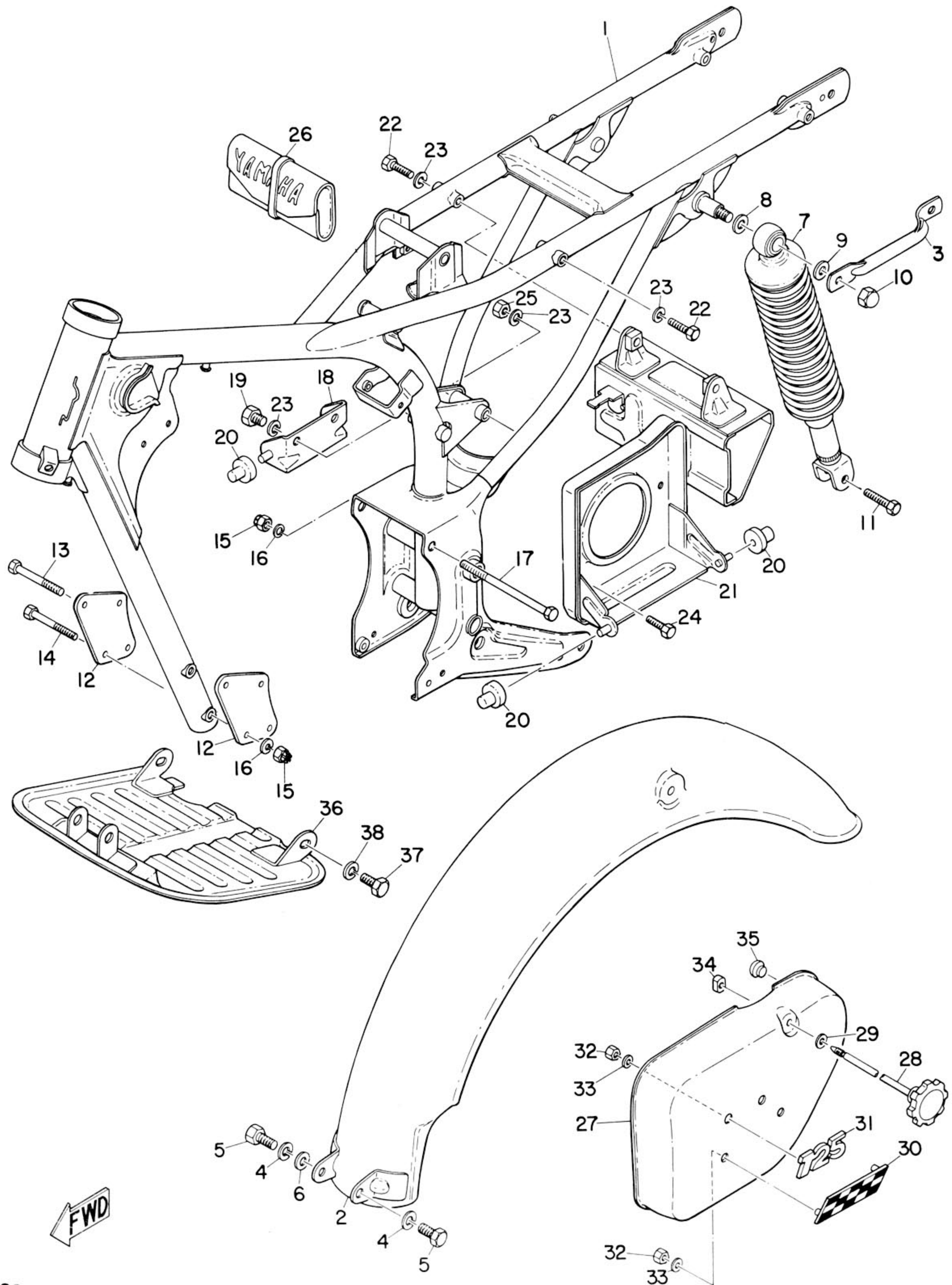








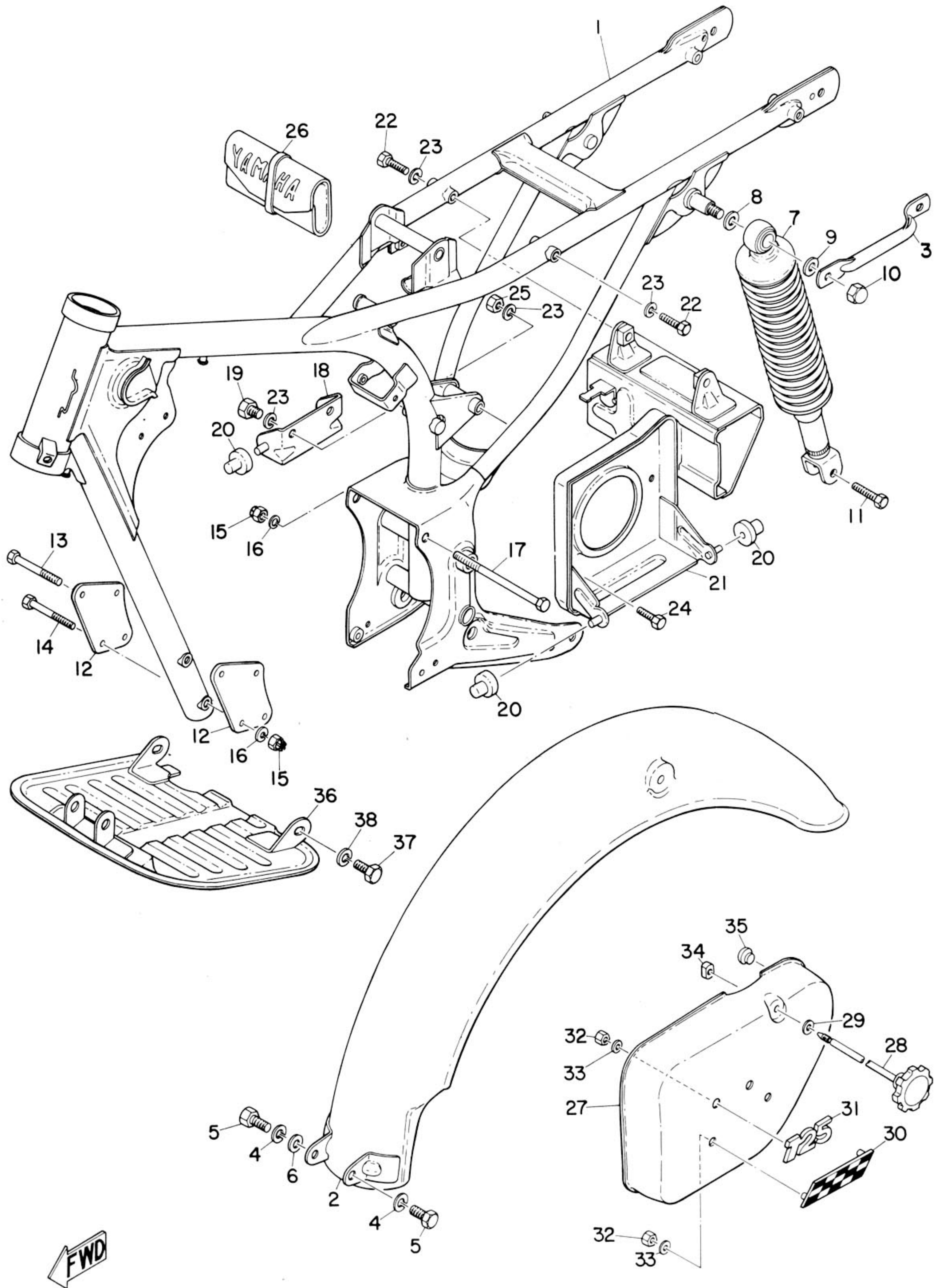
Fig. 13 FRAME



# FRAME

Ref No.	Parts No.	Parts Name	Description	Q'ty	S·R	Remarks
13- 1	218-21110-00	FRAME COMP.		1		
13- 2	183-21610-00-93	REAR FENDER COMP.		1		
13- 3	183-21165-00	HANDLE, standing		1		
13- 4	92901-08100	WASHER, spring		2		
13- 5	97201-08012	BOLT		2		
13- 6	92901-08200	WASHER, plain		1		
13- 7	218-22210-20	REAR CUSHION ASS'Y		2		
13- 8	135-22243-00	WASHER, rear cushion	14.8-27-2	2		
13- 9	136-22243-00	WASHER, rear cushion	10.5-27-2	2		
13-10	92803-10700	NUT, crown		2		
13-11	164-22241-00	BOLT, rear cushion		2		
13-12	183-21315-00	STAY, engine front		2		
13-13	97101-08055	BOLT		3		
13-14	97101-08060	BOLT		1		
13-15	183-22143-00	NUT		5		
13-16	92901-08100	WASHER, spring		5		
13-17	97101-08115	BOLT		1		
13-18	183-21797-00	HINGE, oil tank		1		
13-19	97201-08010	BOLT		1		
13-20	174-21746-00	BUSH, rubber		4		
13-21	183-21170-00	BOX COMP.		1		
13-22	97201-08040	BOLT		2		
13-23	92901-08100	WASHER, spring		4		
13-24	97201-08060	BOLT		1		
13-25	98801-08100	NUT		1		
13-26	183-28100-01	TOOL ASS'Y		1		☆
13-27	183-21711-60-01	COVER, side		1		Californian Orange
	183-21711-60-02	COVER, side		1		Adrian Blue
13-28	183-21714-00	KNOB, side cover		1		
13-29	92901-06200	WASHER, plain		1		
13-30	193-21787-60	EMBLEM, checkerflag		1		
13-31	183-21786-01	EMBLEM, "125"		1		
13-32	116-28317-00	NUT		4		
13-33	174-28316-00	DAMPER, emblem		4		
13-34	136-21713-00	NUT, latch clamp		1		
13-35	137-21778-00	DAMPER, oil tank		1		
13-36	218-21471-00	PROTECTOR, engine		1		
13-37	97201-08015	BOLT		2		

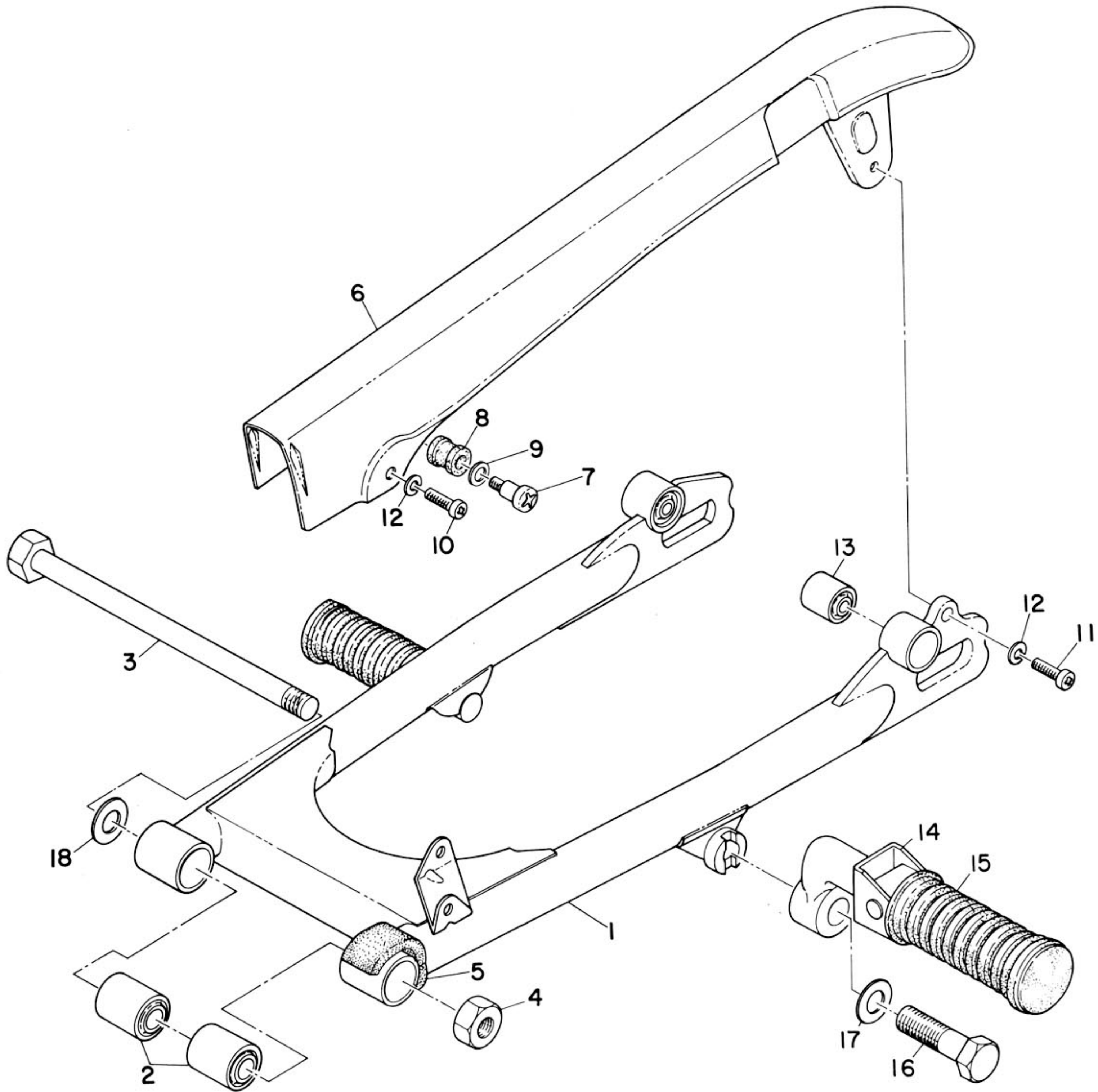
Fig. 13 FRAME



# FRAME

Ref No.	Parts No.	Parts Name	Description	Q'ty	S·R	Remarks
13-38	92901-08100	WASHER, spring		2		

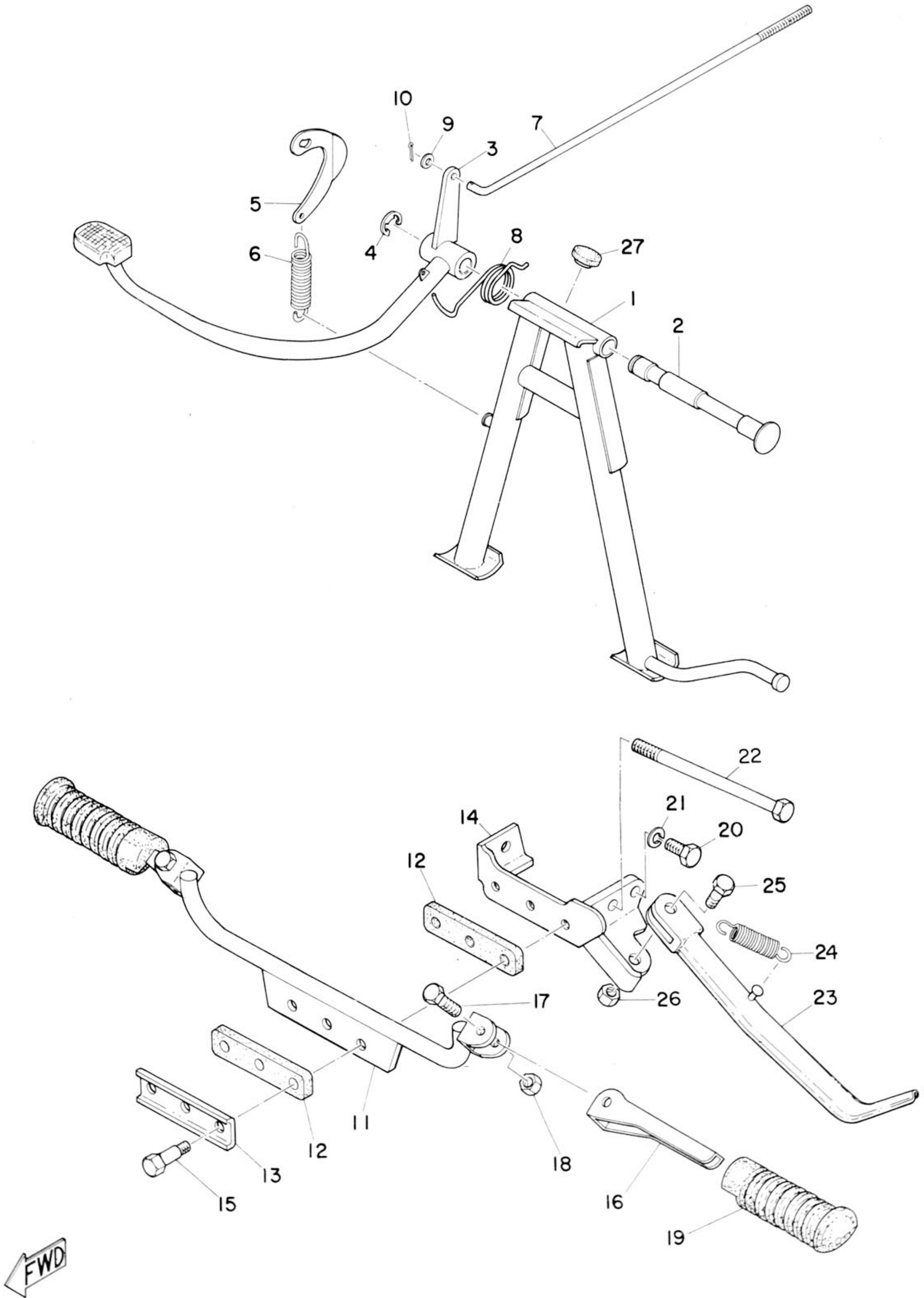
Fig. 14 REAR ARM & CHAIN CASE



## REAR ARM & CHAIN CASE

Ref No.	Parts No.	Parts Name	Description	Q'ty	S·R	Remarks
14- 1	183-22110-01-33	REAR ARM COMP.		1		
14- 2	183-22123-00	BUSHING, rear arm		2		
14- 3	183-22141-01	SHAFT, pivot		1		
14- 4	98801-12200	NUT		1		
14- 5	183-22151-00	SEAL, guard		1		
14- 6	183-22311-01	CASE, chain		1		
14- 7	183-22331-01	SCREW, chain case fitting		1		
14- 8	183-22332-01	DAMPER, chain case		1		
14- 9	183-22316-01	WASHER, chain case		1		
14-10	92501-06010	SCREW, pan head		1		
14-11	92501-06012	SCREW, pan head		1		
14-12	92901-06100	WASHER, spring		2		
14-13	164-22216-00	BUSHING, rear cushion		2		
14-14	178-27430-00	REAR FOOT REST ASS'Y		2		
14-15	120-27433-00	. COVER, rear foot rest		2		
14-16	97201-12040	BOLT		2		
14-17	92901-12100	WASHER, spring		2		
14-18	183-22142-10	WASHER, shaft	12.5-22-1.6	1		

Fig. 15 STAND, FOOT REST & REAR BRAKE PEDAL

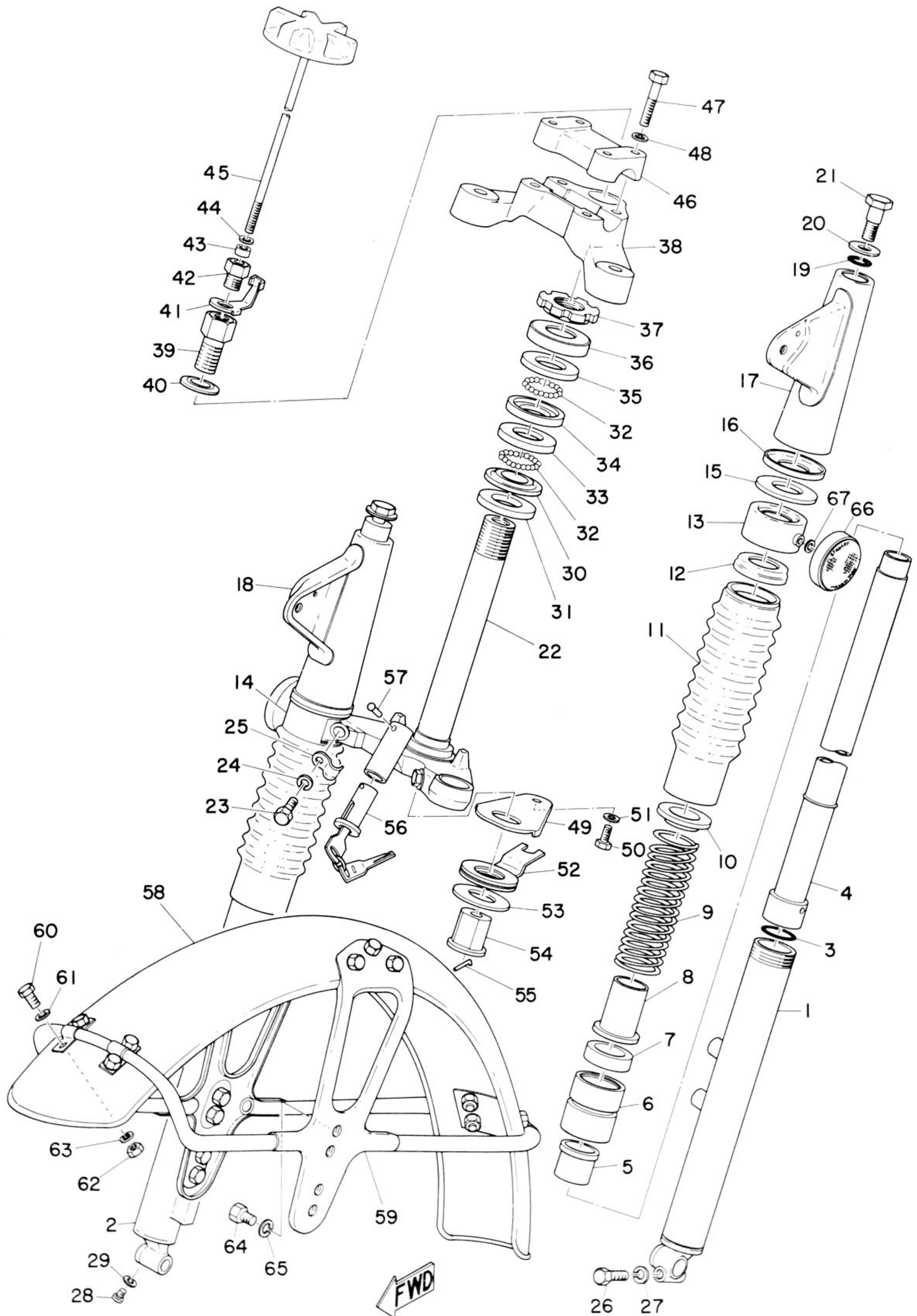




# STAND, FOOT REST & REAR BRAKE PEDAL

Ref No.	Parts No.	Parts Name	Description	Q'ty	S·R	Remarks
15- 1	183-27111-10	STAND, main		1		
15- 2	122-27112-00	SHAFT, main stand		1		
15- 3	183-27211-10	PEDAL, brake		1		
15- 4	93430-12008	CIRCLIP		1		
15- 5	183-27115-00	LINK, main stand		1		
15- 6	122-27116-00	SPRING, main stand		1		
15- 7	183-27231-00	ROD, brake		1		
15- 8	183-27216-00	SPRING, return		1		
15- 9	92901-06200	WASHER, plain		1		
15-10	91401-20012	PIN, cotter		1		
15-11	218-27411-10	FOOT REST		1		
15-12	164-27414-00	DAMPER, foot rest		2		
15-13	164-27417-00	WASHER, foot rest		1		
15-14	183-27412-00	BRACKET, foot rest		1		
15-15	132-27416-00	BOLT, feet rest		3		
15-16	157-27411-00	FOOT REST		2		
15-17	157-27416-00	BOLT		2		
15-18	98801-08300	NUT		2		
15-19	156-27413-00	COVER, foot rest		2		
15-20	97201-08020	BOLT		1		
15-21	92901-08100	WASHER, spring		1		
15-22	116-21483-00	BOLT, engine mounting		1		
15-23	183-27311-00	STAND, side		1		
15-24	183-27316-00	SPRING, side stand		1		
15-25	174-27317-00	BOLT, side stand		1		
15-26	98801-08300	NUT		1		
15-27	128-27114-00	STOPPER, main stand		1		

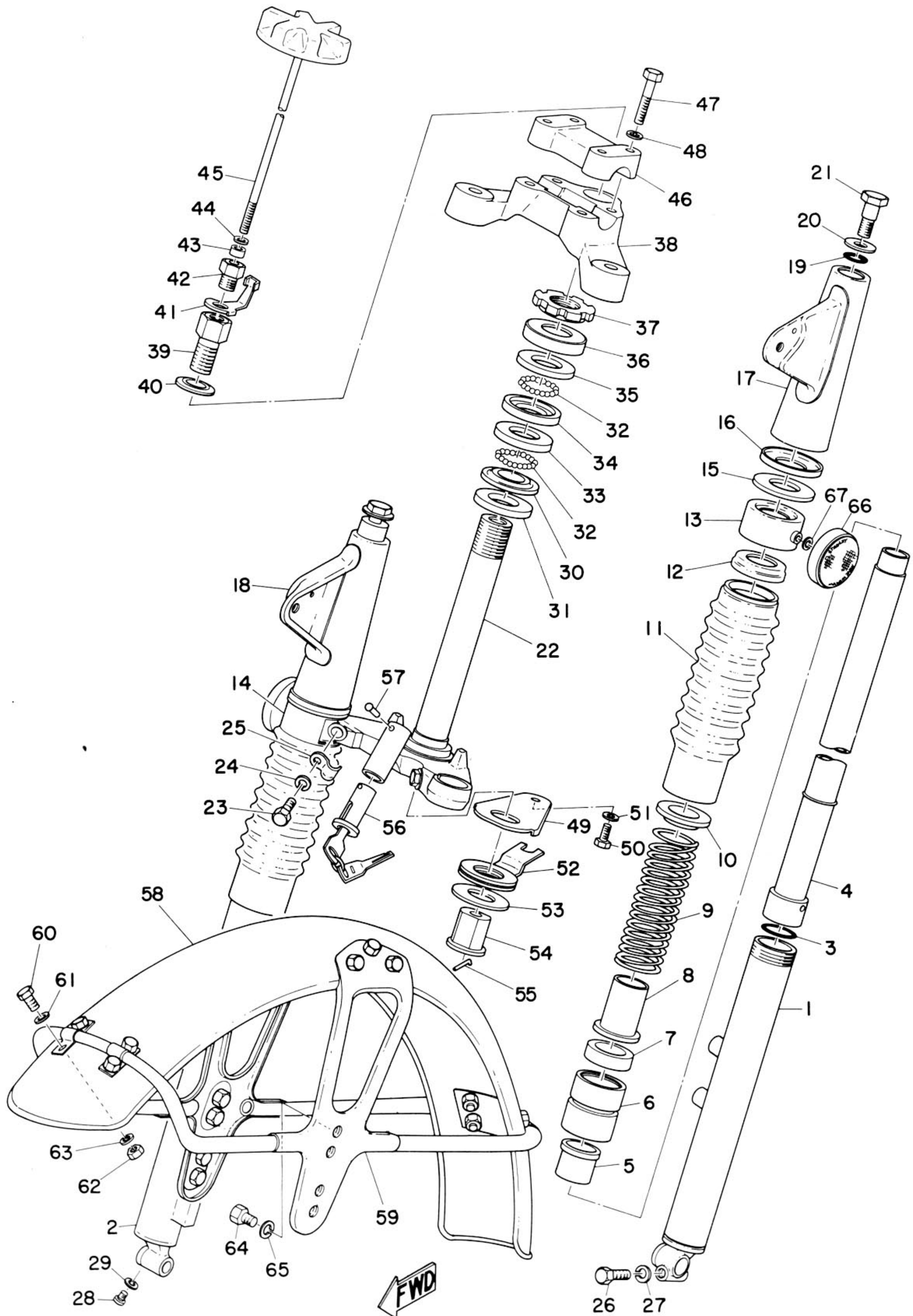
Fig. 16 FRONT FORK & FRONT FENDER



# FRONT FORK & FRONT FENDER

Ref No.	Parts No.	Parts Name	Description	Q'ty	S·R	Remarks
16- 0-1	245-23100-60-62	FRONT FORK ASS'Y		1		Adrian Blue
	245-23100-60-65	FRONT FORK ASS'Y		1		Californian Orange
16- 1	183-23126-00	. TUBE, outer (L.H)		1		
16- 2	183-23136-00	. TUBE, outer (R.H)		1		
16- 3	164-23147-00	. O-RING		2		
16- 4	183-23124-00	. TUBE, inner		2		
16- 5	164-23125-00	. METAL, slide		2		
16- 6	183-23127-40	. NUT, outer		2		
16- 7	164-23145-00	. . OIL SEAL		2		
16- 8	164-23143-00	. SEAT, spring under		2		
16- 9	183-23141-10	. SPRING, fork		2		
16-10	167-23142-00	. SEAT, spring upper		2		
16-11	183-23191-40	. BOOT		2		
16-12	183-23193-40	. GUIDE, boot		2		
16-13	245-23122-60	. COVER, outer (L.H)		1		
16-14	245-23132-60	. COVER, outer (R.H)		1		
16-15	183-23163-00	. PACKING		2		
16-16	183-23116-00	. GUIDE, cover under		2		
16-17	183-23121-00-62	. COVER, upper (L.H)		1		Adrian Blue
	183-23121-00-65	. COVER, upper (L.H)		1		Californian Orange
16-18	183-23131-00-62	. COVER, upper (R.H)		1		Adrian Blue
	183-23131-00-65	. COVER, upper (R.H)		1		Californian Orange
16-19	122-23114-00	. PACKING		2		
16-20	183-23112-00	. WASHER, cap		2		
16-21	183-23111-00	. BOLT, cap		2		
16-22	183-23340-00	. UNDER BRACKET COMP.		1		
16-23	137-23346-00	. BOLT, under bracket		2		
16-24	92901-10100	. WASHER, spring		2		
16-25	183-23318-00	. HOLDER, wire		1		
16-26	97201-08025	. BOLT		1		
16-27	92901-08100	. WASHER, spring		1		
16-28	98501-04008	. SCREW, pan head		2		
16-29	122-23129-00	. GASKET, drain plug		2		
16-30	156-23411-00	. RACE, ball 1		1		
16-31	164-23462-00	SEAL, dust		1		
16-32	93501-04004	BALL	1/4"	38		☆
16-33	156-23412-00	RACE, ball 2		1		
16-34	183-23412-00	RACE, ball 2		1		

Fig. 16 FRONT FORK & FRONT FENDER



# FRONT FORK & FRONT FENDER

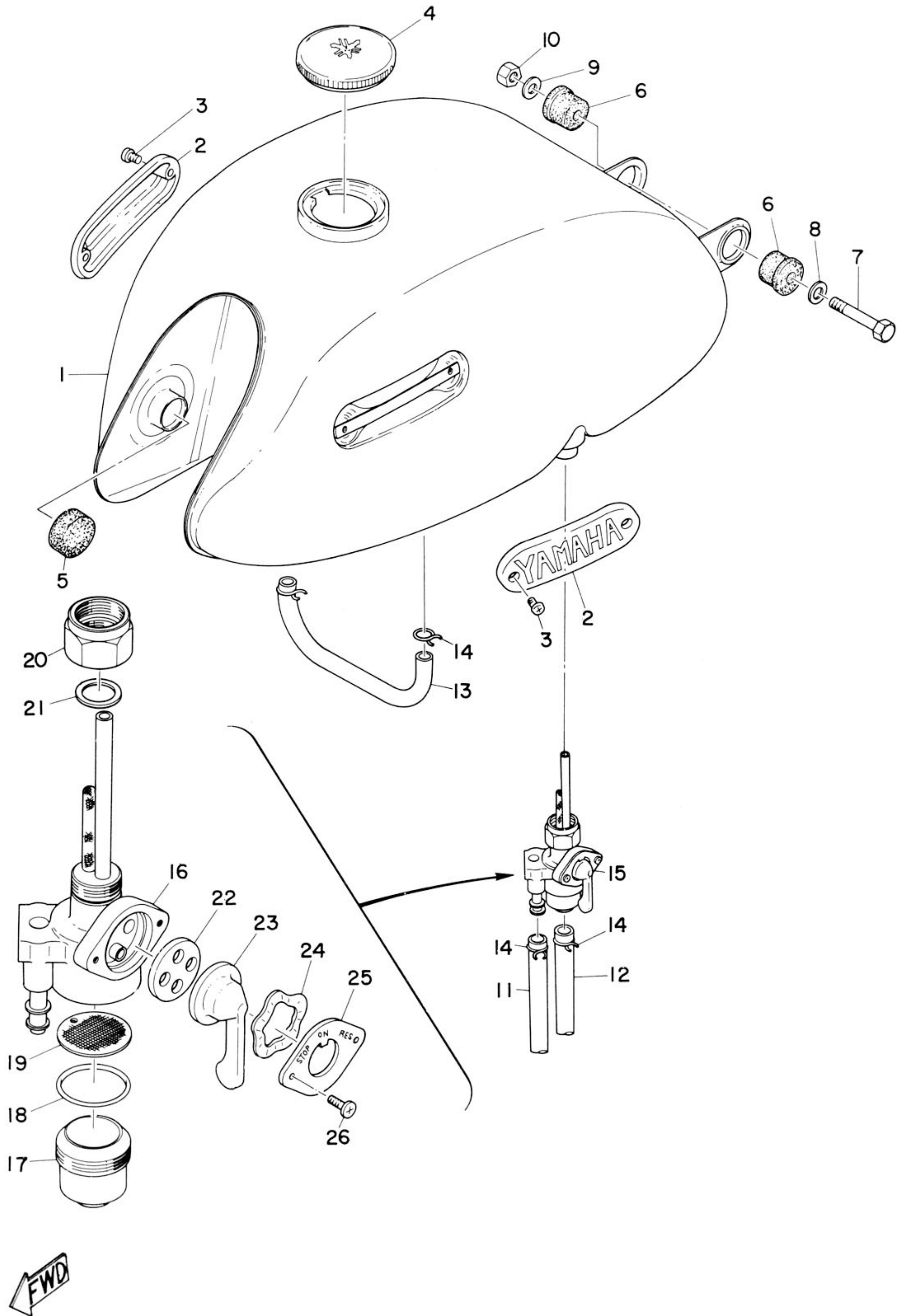
Ref No.	Parts No.	Parts Name	Description	Q'ty	S·R	Remarks
16-35	183-23411-00	RACE, ball 1		1		
16-36	136-23415-00	COVER, ball race		1		
16-37	137-23454-00	NUT, fitting		1		
16-38	183-23435-00	CROWN, handle		1		
16-39	245-23451-00	BOLT, fitting		1		
16-40	245-23443-00	WASHER, crown		1		
16-41	174-23428-00	SPRING, damper		1		
16-42	174-23424-00	GUIDE, damper		1		
16-43	141-23427-00	DAMPER		1		
16-44	156-23418-00	WASHER, special		1		
16-45	183-23419-00	SHAFT, damper		1		
16-46	164-23441-00	HOLDER, handle upper		1		
16-47	97204-08035	BOLT		4		
16-48	92901-08100	WASHER, spring		4		
16-49	174-23421-00	PLATE, damper 1		1		
16-50	91101-06010	BOLT		1		
16-51	92901-06100	WASHER, spring		1		
16-52	183-23422-00	PLATE, damper 2		1		
16-53	174-23425-00	DAMPER, friction		1		
16-54	174-23453-00	NUT, fitting		1		
16-55	156-83525-00	CLIP		1		
16-56	122-23480-00	STEERING LOCK ASS'Y		1		
16-57	122-23483-00	RIVET		1		
16- 0-2	242-21500-00	FRONT FENDER ASS'Y		1		
16-58	242-21510-00	. FRONT FENDER COMP		1		
16-59	242-21513-00	. STAY, fender		1		
16-60	91204-06012	. BOLT		14		
16-61	92904-06200	. WASHER, spring		14		
16-62	92801-06300	. NUT		14		
16-63	92901-06100	. WASHER, spring		14		
16-64	97201-08010	BOLT		4		
16-65	92901-08100	WASHER, spring		4		
16-66	233-85111-00	REFLECTOR		2		
16-67	92901-05100	WASHER, spring		2		



# HANDLE & WIRE

Ref No.	Parts No.	Parts Name	Description	Q'ty	S·R	Remarks
17- 1	157-26111-00	HANDLE .		1		
17- 2	218-82910-00	LEVER HOLDER ASS'Y (L.H)		1		
17- 3	98501-05020	. SCREW, pan head		1		
17- 4	98501-05024	. SCREW, pan head		2		
17- 5	92901-05100	. WASHER, spring		3		
17- 6	150-83912-00	. LEVER (L.H)		1		
17- 7	91203-06020	. BOLT		1		
17- 8	168-83913-00	. COLLAR, lever		1		
17- 9	92801-06300	. NUT		1		
17-10	218-82920-30	LEVER HOLDER ASS'Y (R.H)		1		
17-11	98501-05020	. SCREW, pan head		1		
17-12	98501-05024	. SCREW, pan head		2		
17-13	92901-05100	. WASHER, spring		3		
17-14	218-83922-30	. LEVER (R.H)		1		
17-15	218-83915-00	. SCREW, lever		1		
17-16	168-83913-00	. COLLAR, lever		1		
17-17	92801-06300	. NUT		1		
17-18	156-26243-02	TUBE, guide		1		
17-19	150-26249-00	RING, leaf		1		
17-20	169-26290-00	BACK MIRROR ASS'Y		1		
17-21	168-26337-00	BOLT, wire adjusting		1		
17-22	168-26344-00	NUT, wire adjusting		2		
17-23	156-26346-00	BOLT, wire adjusting		1		
17-24	241-26341-40	WIRE, brake		1		
17-25	218-26311-00	WIRE, throttle 1		1		
17-26	169-26251-00	NUT, adjusting		1		
17-27	156-26261-01	CYLINDER		1		
17-28	183-26312-00	WIRE, throttle 2	205ℓ	1		
17-29	183-26313-00	WIRE, throttle 3	220ℓ	1		
17-30	218-26321-00	WIRE, pump		1		
17-31	218-26335-00	WIRE, clutch		1		
17-32	183-26278-00	CLIP, wire		1		
17-33	168-83936-00	BAND, switch cord		2		
17-34	156-26241-00	GRIP (L.H)		1		
17-35	156-26242-00	GRIP (R.H)		1		
17-36	232-83980-30	FRONT STOP SWITCH ASS'Y		1		

Fig. 18 FUEL TANK

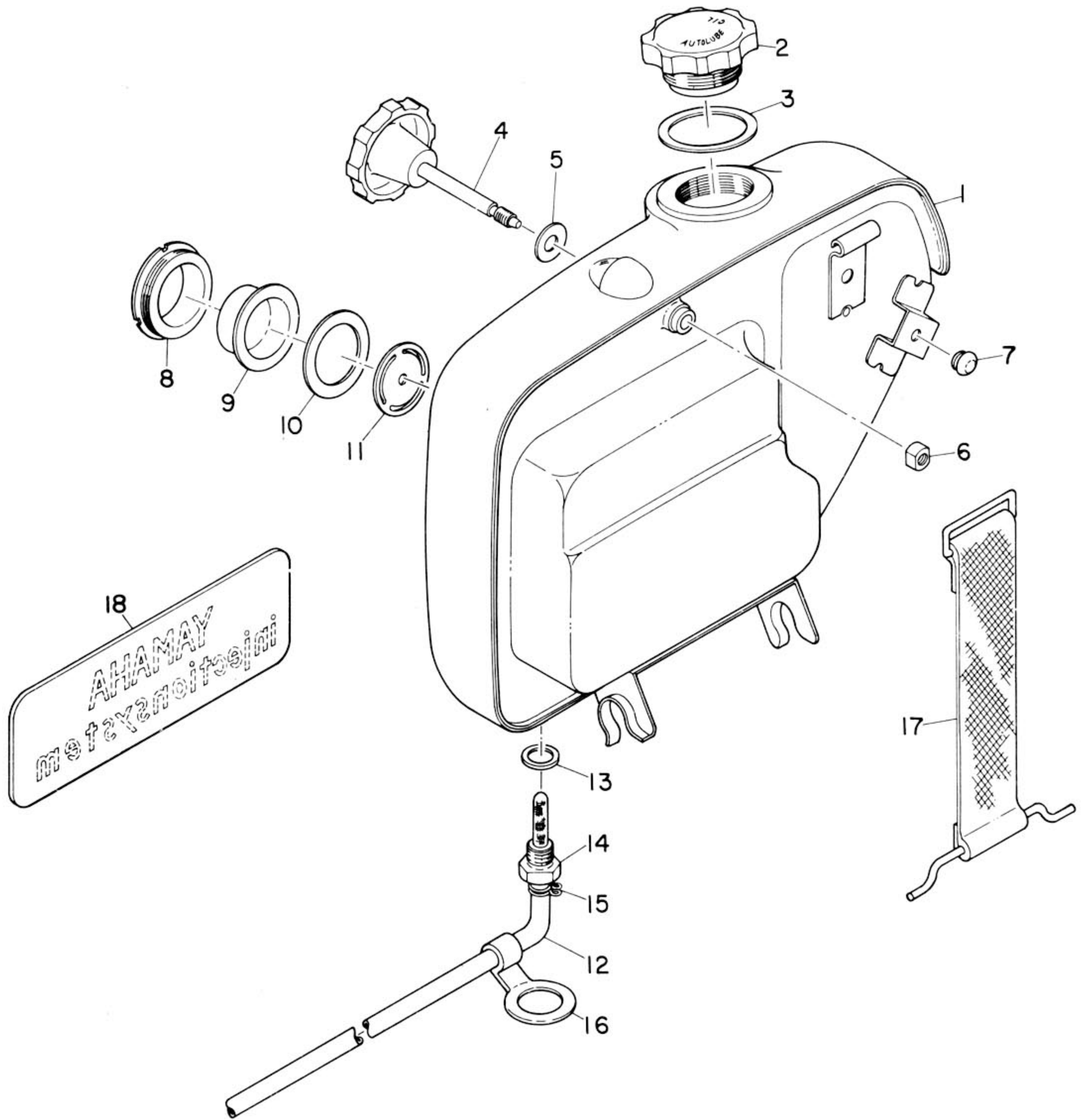




# FUEL TANK

Ref No.	Parts No.	Parts Name	Description	Q'ty	S·R	Remarks
18- 1	245-24110-00-01	FUEL TANK COMP.		1		Californian Orange
	245-24110-00-02	FUEL TANK COMP.		1		Adrian Blue
18- 2	132-24161-00	EMBLEM		2		
18- 3	98501-04008	SCREW, pan head		4		
18- 4	122-24610-01	CAP ASS'Y		1		
18- 5	122-24181-00	DAMPER, locating 1		2		
18- 6	137-28181-00	DAMPER, tank locating		2		
18- 7	168-24176-00	BOLT, tank fitting		1		
18- 8	137-24186-00	WASHER, special 8.5	8.5-23-2.0	1		
18- 9	137-24187-00	WASHER, special 6.5	6.5-23-2.0	1		
18-10	92801-06100	NUT		1		
18-11	132-24311-00	PIPE, fuel		1		
18-12	132-24331-00	PIPE, level (fuel pipe)		1		
18-13	137-24331-00	PIPE, level		1		
18-14	101-24356-00	CLIP, pipe		6		
18-15	132-24500-02	FUEL COCK ASS'Y		1		
18-16	132-24511-02	. BODY, fuel cock		1		△
18-17	132-24521-00	. CUP, filter		1		
18-18	132-24522-00	. GASKET, filter		1		
18-19	132-24515-00	. NET, filter		1		
18-20	132-24531-00	. NUT		1		
18-21	132-24532-00	. GASKET, nut		1		
18-22	137-24523-00	. VALVE		1		
18-23	168-24524-00	. LEVER, cock		1		
18-24	132-24518-00	. WASHER, wave		1		
18-25	132-24525-00	. PLATE, lever fitting		1		
18-26	98501-03006	. SCREW, pan head		2		

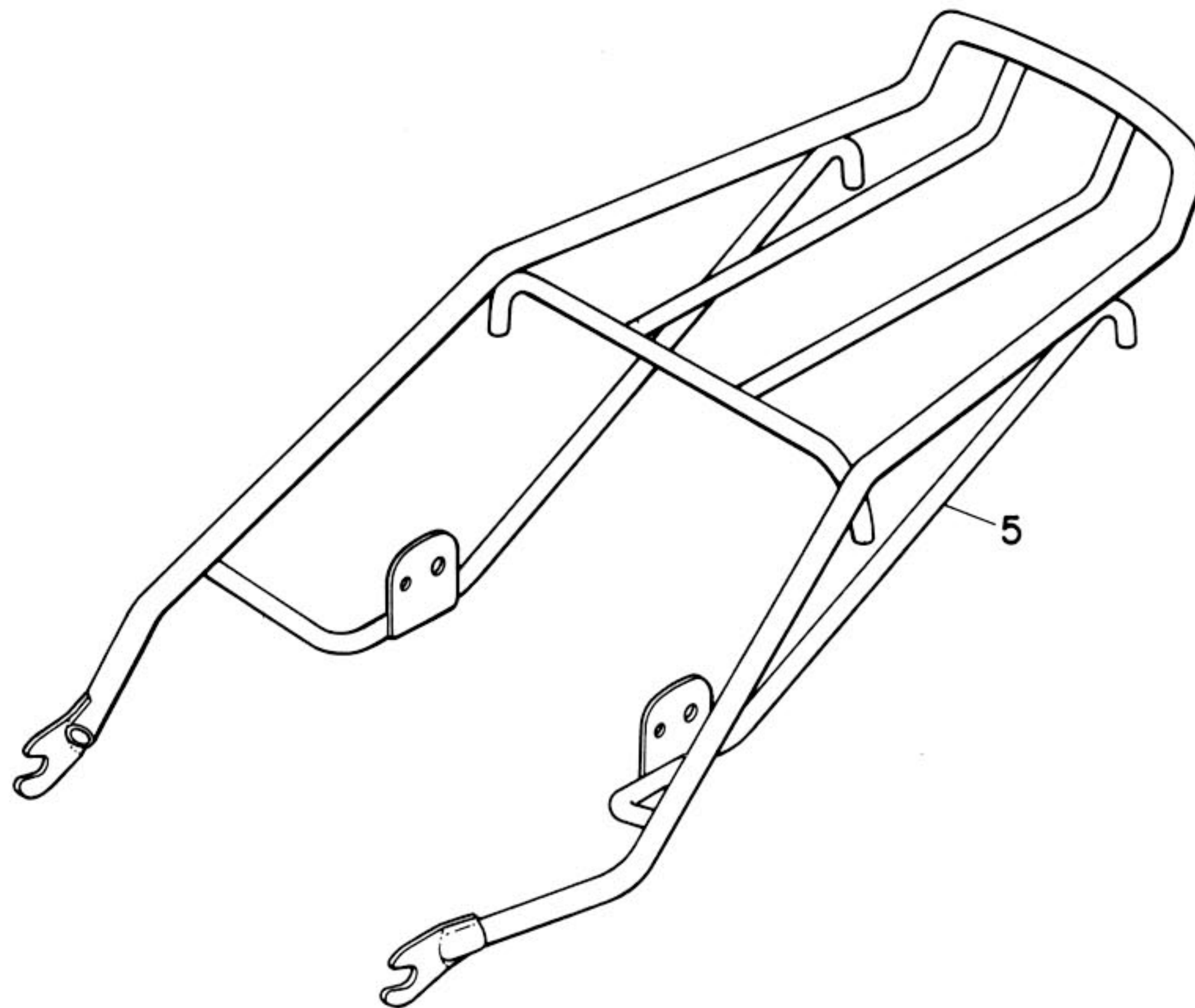
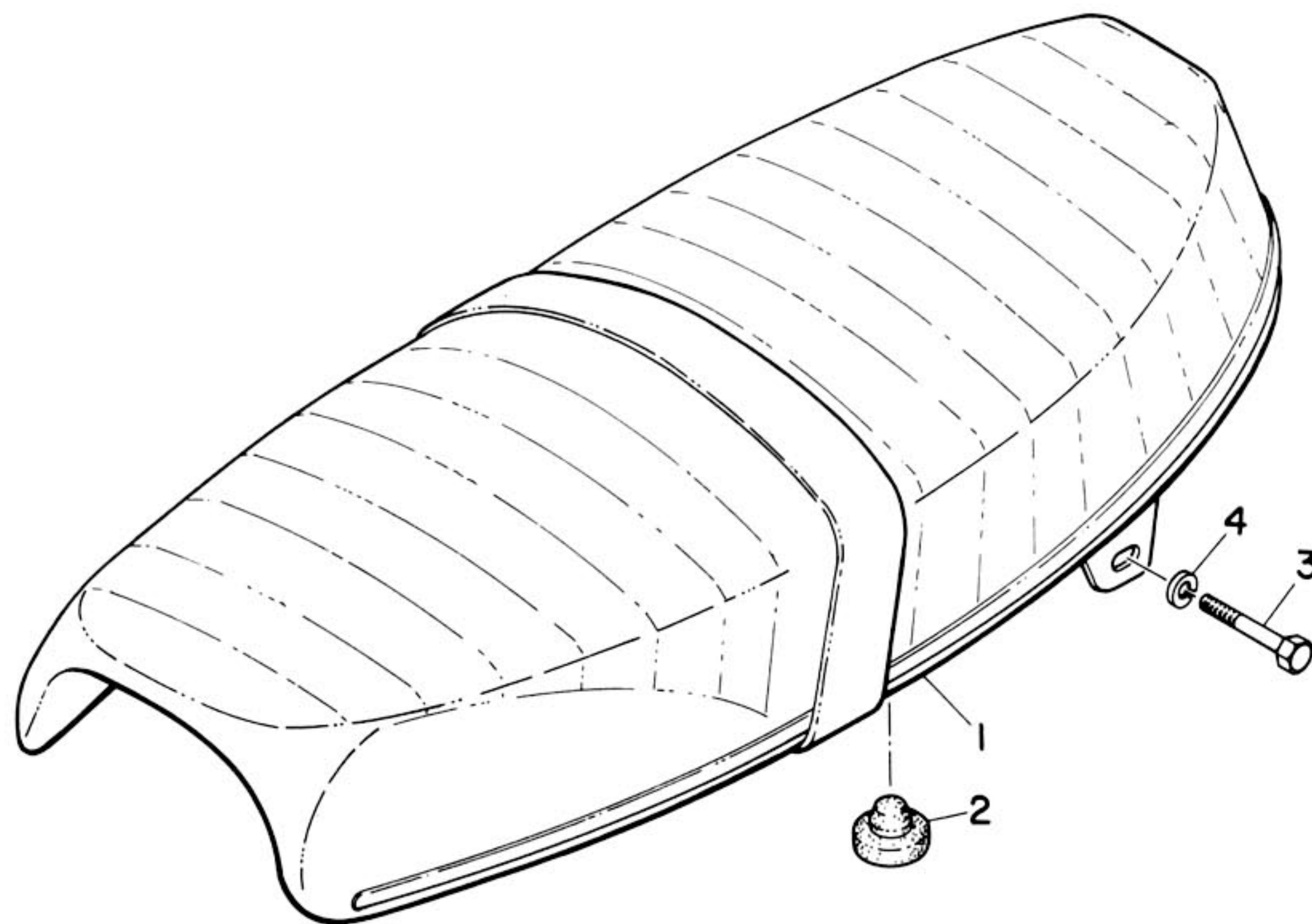
Fig. 19 OIL TANK



# OIL TANK

Ref No.	Parts No.	Parts Name	Description	Q'ty	S·R	Remarks
19- 1	183-21751-00-01	TANK, oil		1		Californian Orange
	183-21751-00-02	TANK, oil		1		Adrian Blue
19- 2	183-21771-10	CAP, body		1		
19- 3	214-21772-00	GASKET, cap		1		
19- 4	183-21714-00	KNOB, side cover		1		
19- 5	122-21725-00	WASHER, side cover (R.H)	7-16-1	1		
19- 6	136-21713-00	NUT, latch clamp		1		
19- 7	137-21778-00	DAMPER, oil tank		1		
19- 8	137-21762-00	NUT, level gauge		1		
19- 9	137-21764-00	LENS, level gauge		1		
19-10	137-21763-00	GASKET, level gauge		1		
19-11	137-21761-00	GAUGE, level		1		
19-12	132-24319-01	PIPE, oil		1		
19-13	137-21767-00	GASKET, union	10.2-15-1.5	1		
19-14	137-21768-01	SCREW, union		1		
19-15	101-24356-00	CLIP, pipe		2		
19-16	183-24369-00	CLAMP, pipe		1		
19-17	174-21776-00	BAND, tank fitting		1		
19-18	117-21782-00	EMBLEM, injection		1		

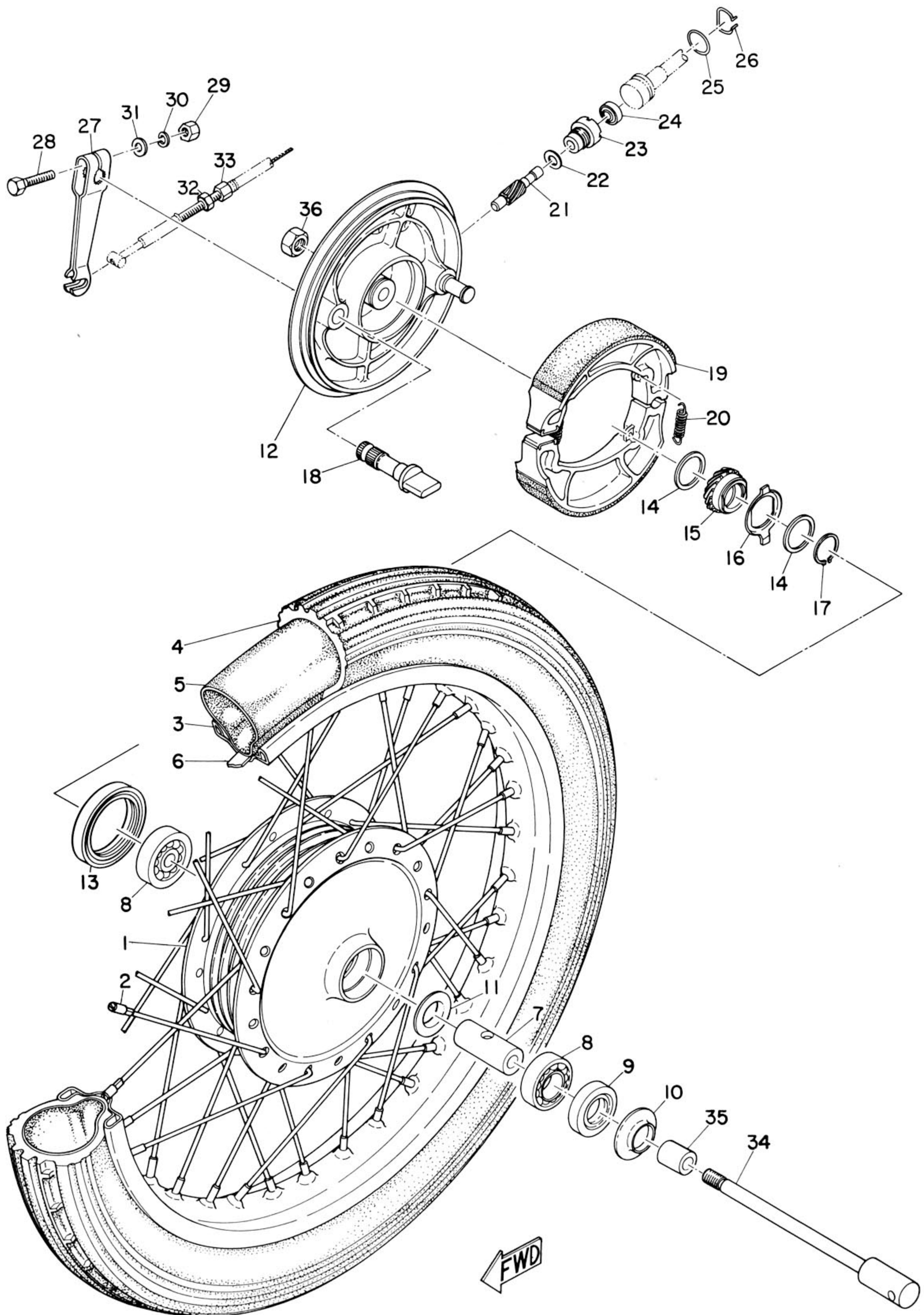
Fig. 20 SEAT & CARRIER



# SEAT & CARRIER

Ref No.	Parts No.	Parts Name	Description	Q'ty	S·R	Remarks
20- 1	245-24730-00	DOUBLE SEAT ASS'Y		1		
20- 1-1	245-24731-00	. COVER, double seat		1		
20- 2	174-24741-00	. PAD, seat		2		
20- 3	97201-08050	BOLT		2		
20- 4	92901-08100	WASHER, spring		2		
		<b>ALTERNATE PARTS</b>				
20- 5	183-24830-00	SUB CARRIER ASS'Y		1		

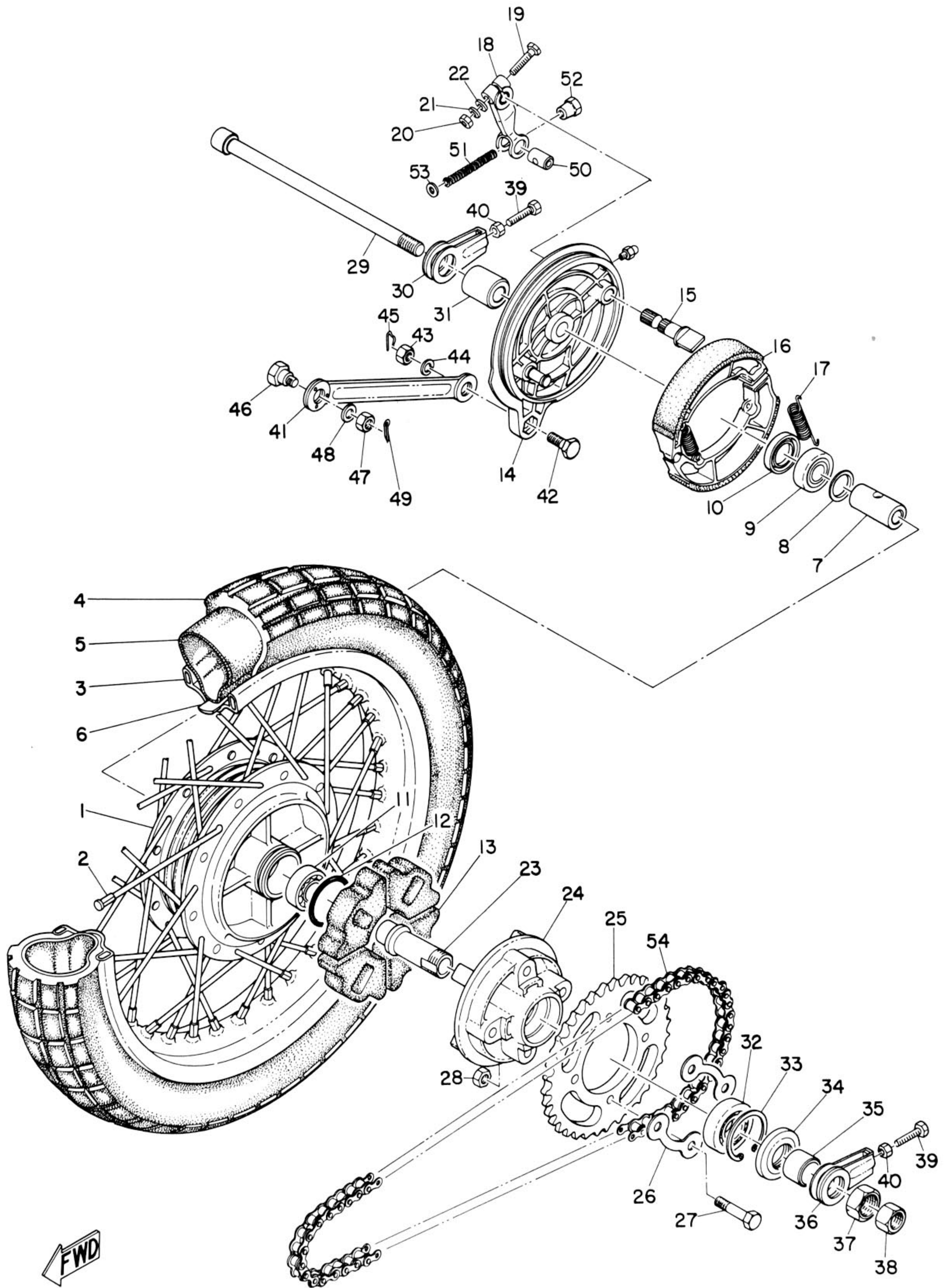
Fig. 21 FRONT WHEEL



# FRONT WHEEL

Ref No.	Parts No.	Parts Name	Description	Q'ty	S·R	Remarks
21- 1	183-25111-00	HUB, front		1		
21- 2	183-25104-00	SPOKE SET		1s		
21- 3	94414-18034	RIM	1.40-18	1		
21- 4	94125-18020	TIRE, front	2.50-18- 4PR	1		
21- 5	94225-18006	TUBE	2.50-18	1		
21- 6	94325-18005	BAND, rim	2.50-18	1		
21- 7	183-25117-00	SPACER, bearing		1		
21- 8	93306-30102	BEARING	6301RS	2		☆
21- 9	93102-18008	OIL SEAL	SD-18- 37-8	1		
21-10	183-25118-00	COVER, hub dust		1		
21-11	102-25315-00	FLANGE, spacer		1		
21-12	183-25121-00	PLATE, brake shoe		1		
21-13	93105-47007	OIL SEAL	SDD-47- 58-7	1		
21-14	183-25147-00	WASHER, thrust 2	20.5-26-1	2		
21-15	183-25135-00	GEAR, drive		1		
21-16	183-25149-00	CLUTCH, meter		1		
21-17	93410-20009	CIRCLIP	S20	1		
21-18	183-25351-00	CAM SHAFT		1		
21-19	183-25330-00	BRAKE SHOE COMP.		2		
21-20	183-25333-00	SPRING, return		2		
21-21	183-25138-00	GEAR, meter		1		
21-22	183-25146-00	WASHER, thrust 1	7-12-0.8	1		
21-23	109-25136-00	BUSHING		1		
21-24	93104-07003	OIL SEAL	SO-7-14-4	1		
21-25	93210-14104	O-RING	2.4-13.8	1		
21-26	102-25137-00	RING, stop		1		
21-27	137-25155-00	LEVER, cam shaft		1		
21-28	91201-06030	BOLT		1		
21-29	92801-06100	NUT		1		
21-30	92901-06100	WASHER, spring		1		
21-31	92901-06200	WASHER, plain		1		
21-32	109-26344-00	NUT, wire adjusting		1		
21-33	109-26345-00	BOLT, wire adjusting		1		
21-34	183-25181-01	SHAFT, wheel		1		
21-35	183-25183-00	COLLAR, wheel shaft	12-18-16	1		
21-36	98801-12200	NUT		1		

Fig. 22 REAR WHEEL

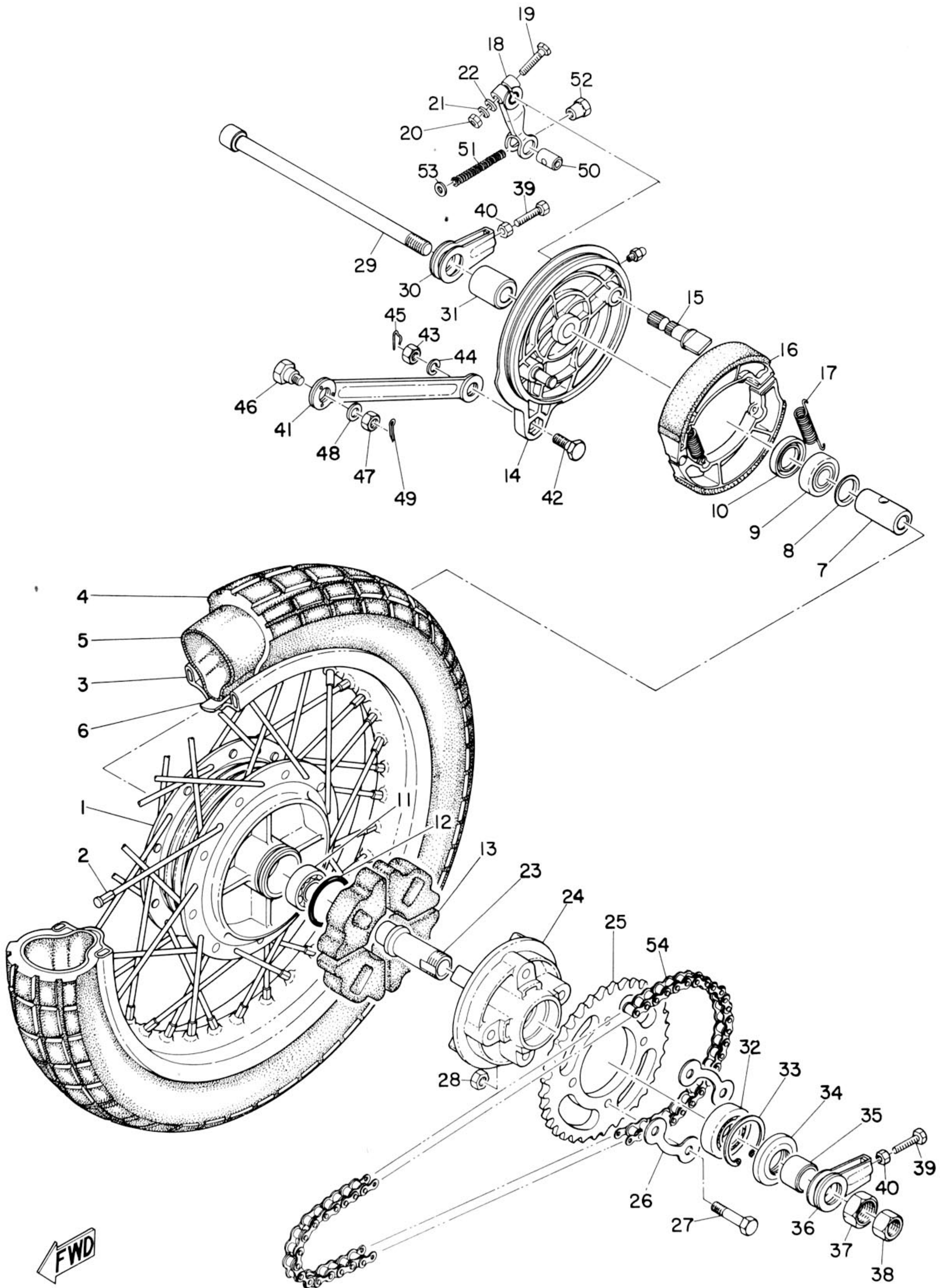




# REAR WHEEL

Ref No.	Parts No.	Parts Name	Description	Q'ty	S·R	Remarks
22- 1	183-25311-00	HUB, rear		1		
22- 2	183-25304-00	SPOKE SET		1s		
22- 3	94416-18018	RIM	1.60A-18	1		
22- 4	94127-18025	TIRE, rear	2.75-18-4PR	1		
22- 5	94227-18009	TUBE	2.75-18	1		
22- 6	94327-18007	BAND, rim	2.75-18	1		
22- 7	136-25317-00	SPACER, bearing		1		
22- 8	183-25315-00	FLANGE, spacer		1		
22- 9	93306-20201	BEARING	6202	1		☆
22-10	93104-22018	OIL SEAL	SO-22-35-5	1		
22-11	93306-20204	BEARING	6202Z	1		☆
22-12	93210-42101	O-RING	2.5-41.7	1		
22-13	132-25364-00	DAMPER, clutch		4		
22-14	183-25321-00	PLATE, brake shoe		1		
22-15	183-25351-00	CAM SHAFT		1		
22-16	183-25330-00	BRAKE SHOE COMP		2		
22-17	183-25333-00	SPRING, return		2		
22-18	122-25355-00	LEVER, cam shaft		1		
22-19	91201-06030	BOLT		1		
22-2-	92801-06100	NUT		1		
22-21	92901-06100	WASHER, spring		1		
22-22	92901-06200	WASHER, plain		1		
22-23	183-25387-00	SHAFT, sprocket		1		
22-24	183-25366-01	CLUTCH, hub		1		
22-25	183-25437-10	GEAR, sprocket wheel	37T	1		
	183-25439-10	GEAR, sprocket wheel	38T	1		
22-26	102-25412-00	WASHER, lock		2		
22-27	207-25411-00	BOLT, fitting		4		
22-28	98801-08200	NUT		4		
22-29	183-25381-00	SHAFT, rear wheel		1		
22-30	183-25389-00	PULLER, chain (R.H)		1		
22-31	183-25383-00	COLLAR, wheel shaft	12.2-23-38	1		
22-32	93306-00406	BEARING	6004Z	1		☆
22-33	93420-42007	CIRCLIP	R42	1		
22-34	93106-26005	OIL SEAL	DD-26-42-8	1		
22-35	183-25386-00	COLLAR, sprocket shaft	20-26-20	1		
22-36	183-25388-00	PULLER, chain (L.H)		1		
22-37	137-25385-00	NUT, sprocket shaft		1		

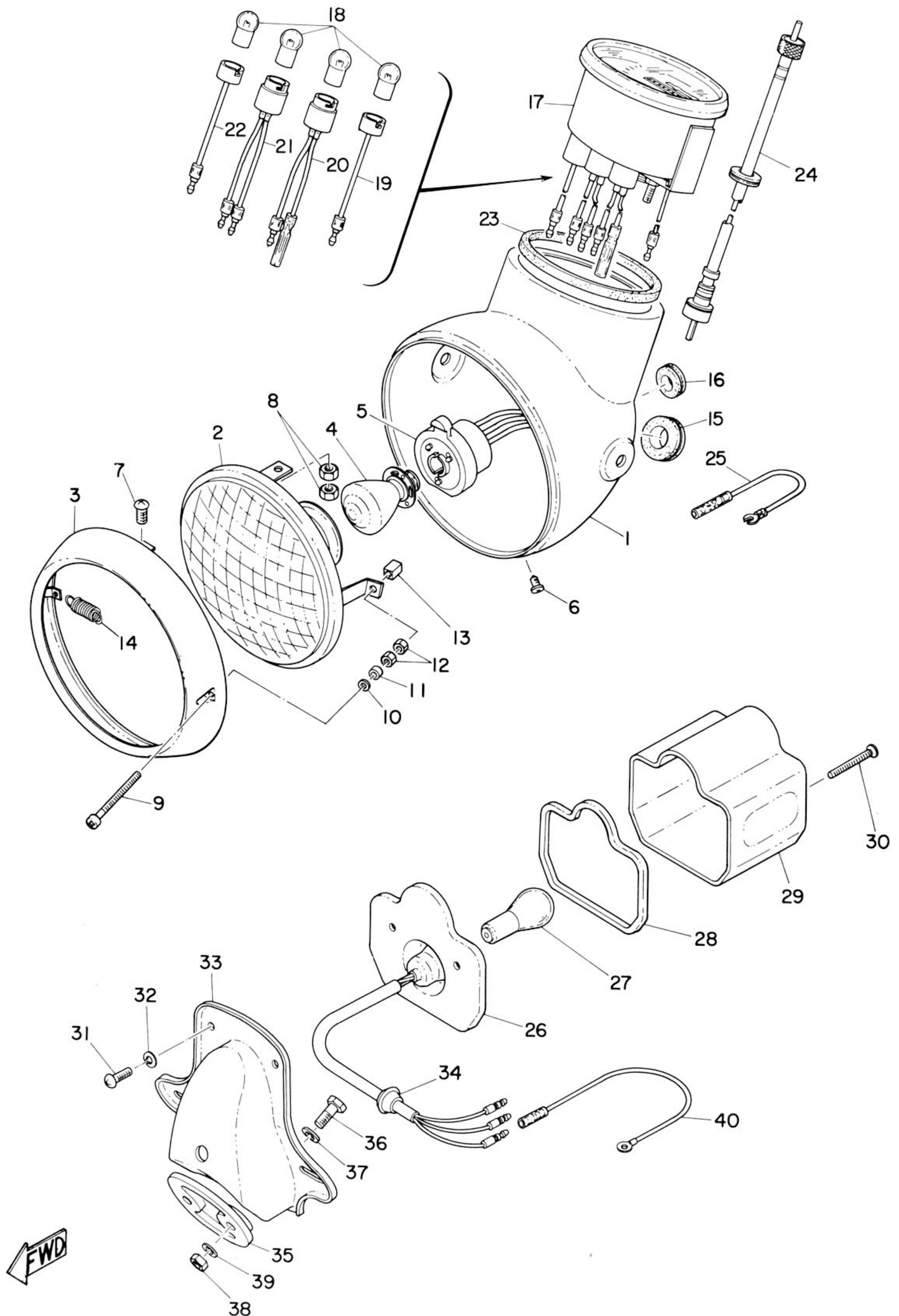
Fig. 22 REAR WHEEL



# REAR WHEEL

Ref No.	Parts No.	Parts Name	Description	Q'ty	S·R	Remarks
22-38	92801-14200	NUT		1		
22-39	167-25379-00	BOLT, chain puller		2		
22-40	92801-06300	NUT		2		
22-41	183-25371-00	BAR, tension		1		
22-42	109-25373-00	BOLT, tension bar		1		
22-43	98801-08300	NUT		1		
22-44	92901-08100	WASHER, spring		1		
22-45	102-25375-00	CLIP, tension bar		1		
22-46	183-25378-00	BOLT, tension bar		1		
22-47	98801-08100	NUT		1		
22-48	92901-08100	WASHER, spring		1		
22-49	91401-20012	PIN, cotter		1		
22-50	156-27237-00	PIN, clevis		1		
22-51	180-27236-00	SPRING, rod		1		
22-52	206-27238-00	NUT, adjusting		1		
22-53	92901-06200	WASHER, plain		1		
22-54	94504-28104	CHAIN	428-104P	1		
22-54A	94604-28001	. JOINT, chain		1		

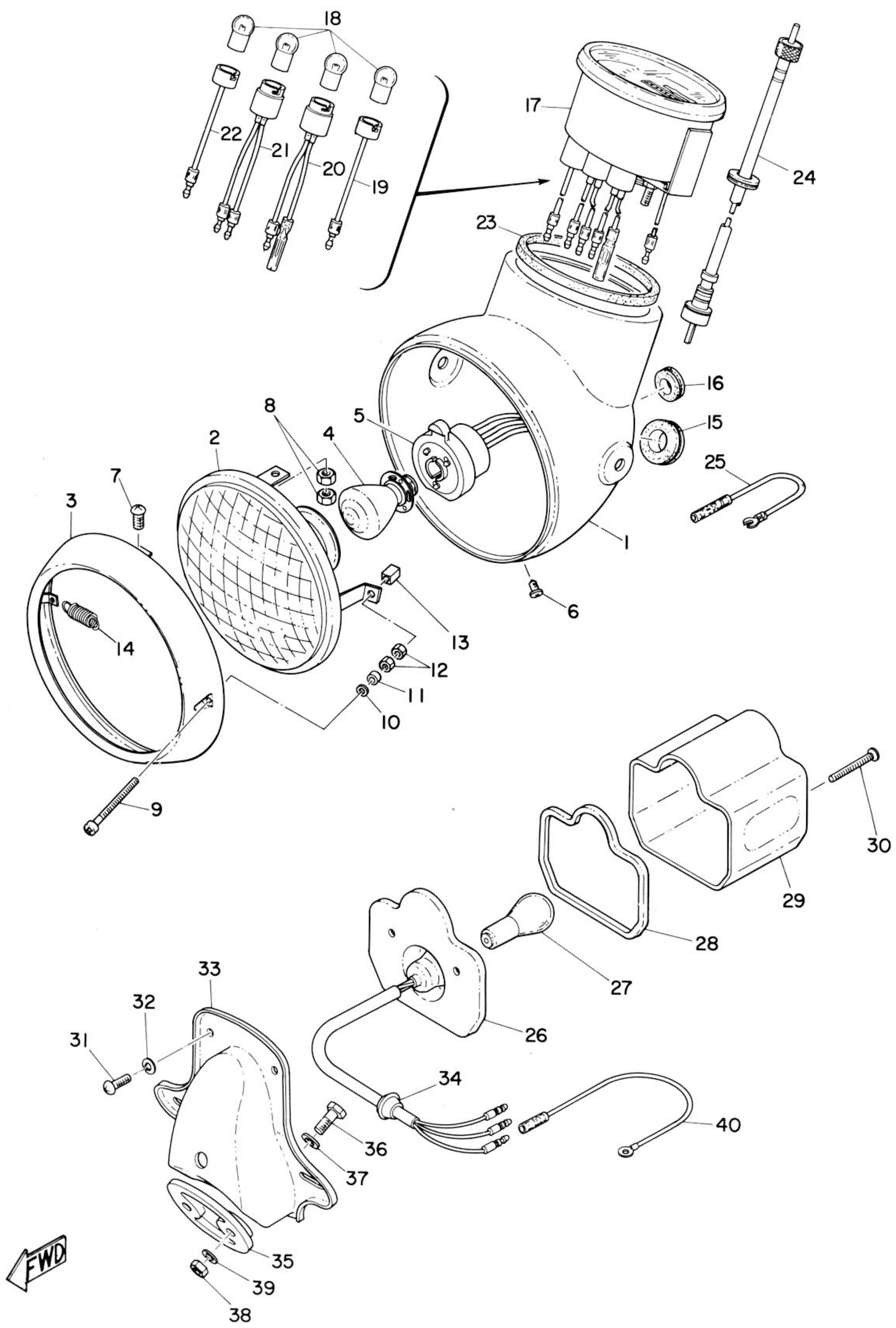
Fig. 23 HEAD LAMP, SPEEDOMETER & TAIL LAMP



# HEAD LAMP, SPEEDOMETER & TAIL LAMP

Ref No.	Parts No.	Parts Name	Description	Q'ty	S·R	Remarks
23- 0-1	183-84300-61-62	HEAD LAMP ASS'Y		1		Adrian Blue
	183-84300-61-65	HEAD LAMP ASS'Y		1		Californian Orange
23- 1	183-84311-00-62	BODY, head lamp		1		Adrian Blue
	183-84311-00-65	BODY, head lamp		1		Californian Orange
23- 2	183-84320-60	LENS ASS'Y		1		
23- 3	183-84315-61	. RIM, head lamp		1		
23- 4	183-84314-00	. BULB, head lamp	12V 35/35W	1		☆
23- 5	183-84312-60	. SOCKET		1		
23- 6	195-84325-00	. SCREW, rim fitting		1		
23- 7	98501-05012	. SCREW, pan head		2		
23- 8	98801-05300	. NUT		4		
23- 9	198-84331-60	. SCREW, rim adjust		1		
23-10	92901-04200	. WASHER, plain		1		
23-11	132-84328-60	. SPACER		1		
23-12	98801-04300	. NUT		2		
23-13	198-84334-60	. NUT, adjust		1		
23-14	132-84335-60	. SPRING, lens adjust		1		
23-15	168-84354-00	. GROMMET		1		
23-16	183-84353-00	. GROMMET		2		
23-17	183-83510-70	SPEEDOMETER ASS'Y		1		
23-18	123-83516-20	. BULB, pilot	15V 3W	4		☆
23-19	164-83536-20	. SOCKET, meter		1		
23-20	183-83537-20	. SOCKET, neutral		1		
23-21	183-83538-20	. SOCKET, flasher		1		
23-22	183-83529-70	. SOCKET, high beam		1		
23-23	183-83513-00	DAMPER		1		
23-24	167-83550-00	SPEEDOMETER CABLE ASS'Y		1		
23-25	173-84313-00	WIRE, earth		1		
23- 0-1	202-84710-60	TAIL LAMP UNIT ASS'Y		1		
23-26	202-84711-60	. BASE, tail lamp		1		
23-27	168-84714-00	. BULB, tail lamp	12V 23/7W	1		☆
23-28	168-84712-60	. SEAT, base		1		
23-29	168-84721-60	. LENS, tail lamp		1		
23-30	193-84724-00	. SCREW, lens fitting		2		
23-31	92503-06012	. SCREW, pan head		2		
23-32	92901-06100	. WASHER, spring		2		
23-33	164-84751-60	BRACKET, licence		1		
23-34	152-84518-00	GROMMET, tail lamp		2		

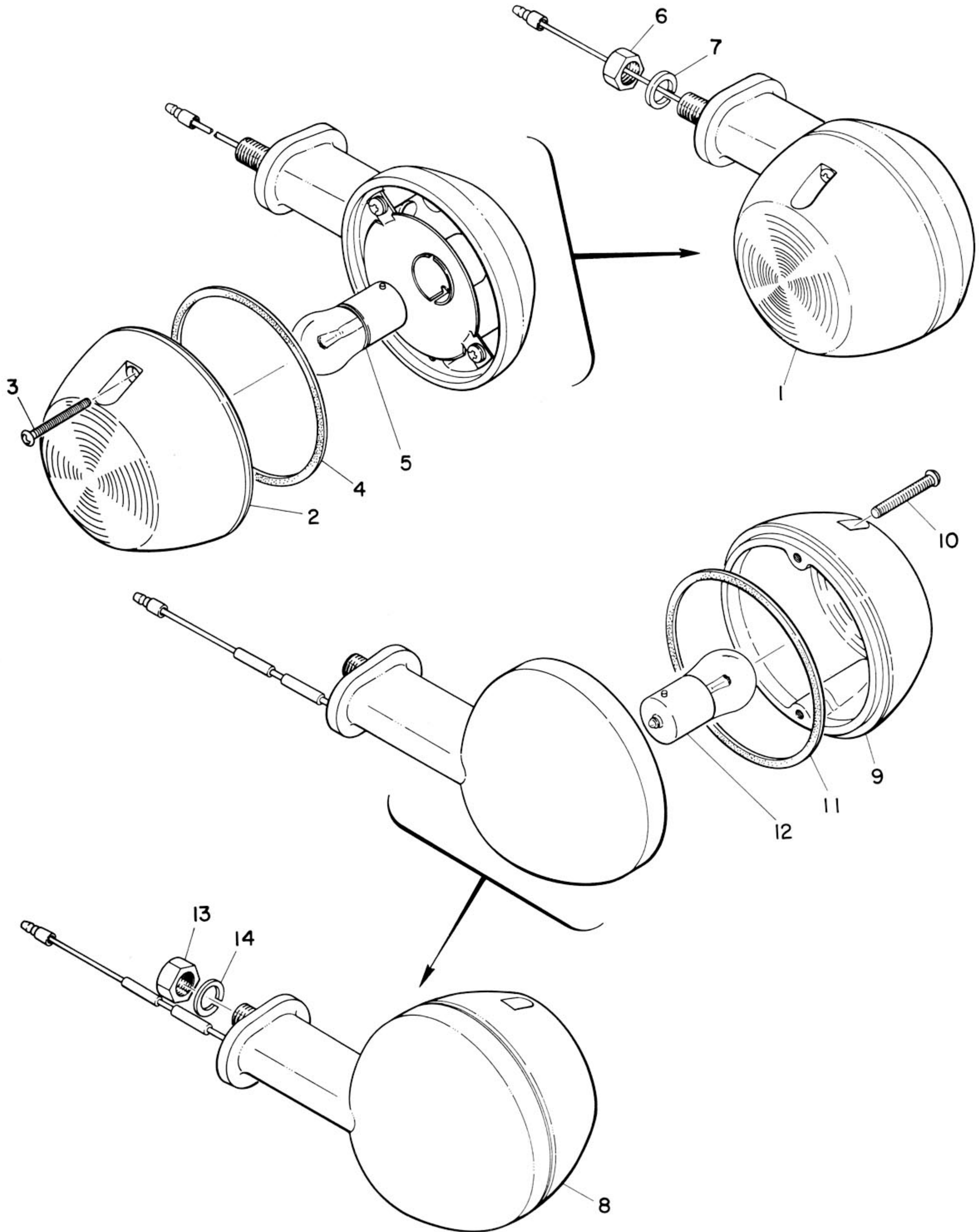
Fig. 23 HEAD LAMP, SPEEDOMETER & TAIL LAMP



# HEAD LAMP, SPEEDOMETER & TAIL LAMP

Ref No.	Parts No.	Parts Name	Description	Q'ty	S·R	Remarks
23-35	174-84753-00	DAMPER		1		
23-36	168-21738-00	BOLT, fitting		2		
23-37	156-24186-00	WASHER, special	8.5-26-2.0	2		
23-38	92801-06100	NUT		2		
23-39	92901-06100	WASHER, spring		2		
23-40	183-84756-00	WIRE, earth lead		1		

Fig. 24 FLASHER LAMP

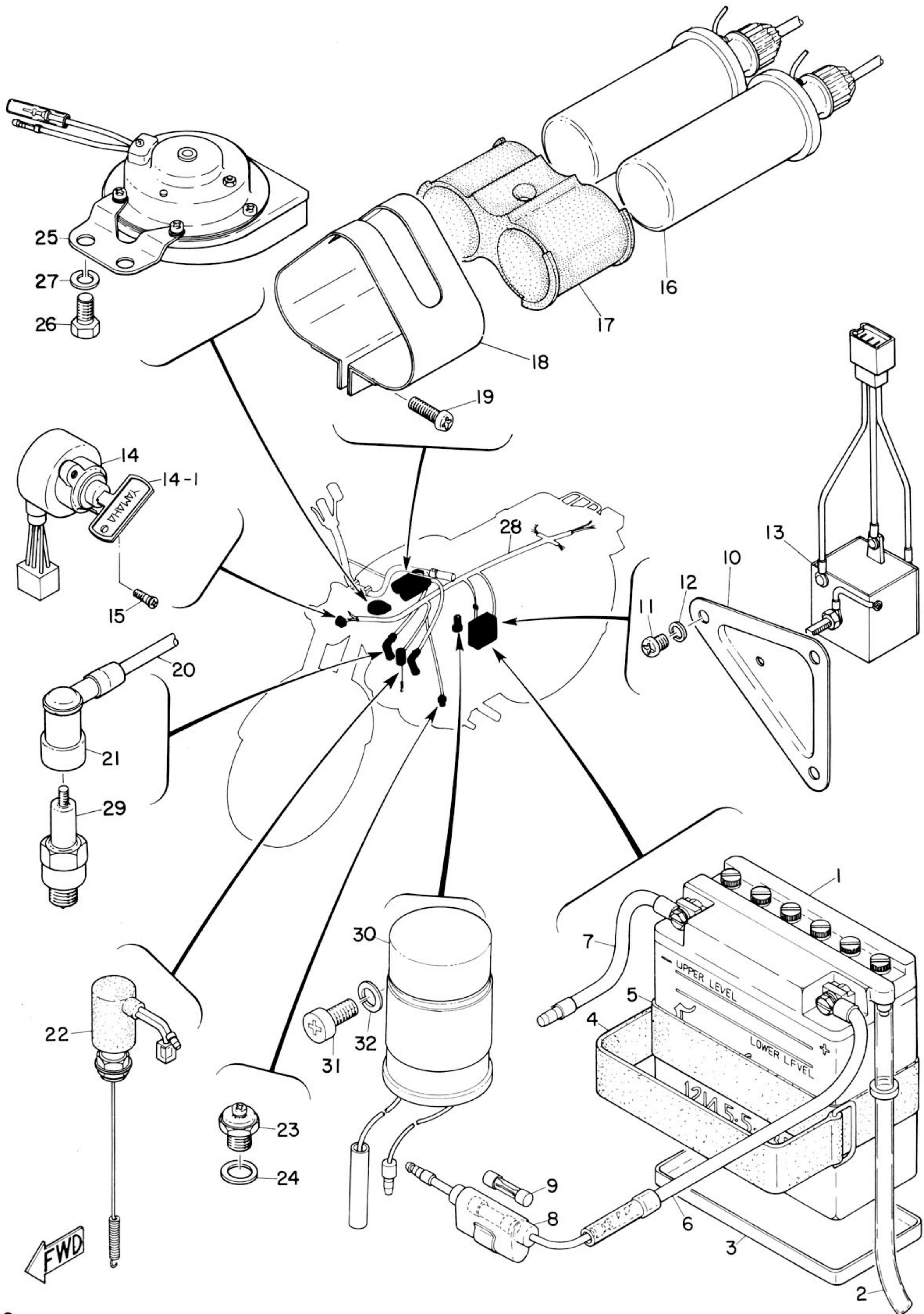




# FLASHER LAMP ( ALTERNATE PARTS )

Ref No.	Parts No.	Parts Name	Description	Q'ty	S·R	Remarks
24- 1	183-83310-71	FRONT FLASHER LAMP ASS'Y		2		
24- 2	183-83332-70	. LENS, flasher		2		
24- 3	183-83333-71	. SCREW, lens fitting		2		
24- 4	183-83313-20	. GASKET, flasher lens		2		
24- 5	183-83311-70	. BULB, flasher	12V 25W	2		☆
24- 6	98801-08200	NUT		2		
24- 7	92901-08100	WASHER, spring		2		
24- 8	211-83330-71	REAR FLASHER LAMP ASS'Y		2		
24- 9	183-83332-70	. LENS, flasher		2		
24-10	183-83333-71	. SCREW, lens fitting		2		
24-11	183-83313-20	. GASKET, flasher lens		2		
24-12	183-83311-70	. BULB, flasher	12V 25W	2		☆
24-13	98801-08200	NUT		2		
24-14	92901-08100	WASHER, spring		2		

Fig. 25 ELECTRICAL



Ref No.	Parts No.	Parts Name	Description	Q'ty	S·R	Remarks
25- 1	131-82110-60	BATTERY ASS'Y		1		
25- 1-1	131-82111-60	. CAP, battery		6		
25- 2	183-82112-00	PIPE, breather		1		
25- 3	102-82122-00	SEAT, battery		1		
25- 4	137-82131-01	BAND, battery		1		
25- 5	164-82124-00	BAND, battery		1		
25- 6	183-82115-00	WIRE, plus lead		1		
25- 7	183-82116-00	WIRE, minus lead		1		
25- 8	164-82150-00	FUSE HOLDER ASS'Y		1		
25- 9	148-82151-00	. FUSE		2		
25-10	183-81975-00	PLATE, rectifier fitting		1		
25-11	92501-06010	SCREW, pan head		3		
25-12	92901-06100	WASHER, spring		3		
25-13	195-81970-11	RECTIFIER ASS'Y		1		
25-14	183-82506-31	MAIN SWITCH ASS'Y		1		
25-14-1	168-82511-00	. KEY, main switch		4		
25-15	98603-04008	SCREW, oval head		2		
25-16	174-82310-60	IGNITION COIL ASS'Y		2		
25-17	168-82312-00	HOLDER, coil fitting		1		
25-18	168-82311-00	BAND, coil fitting		1		
25-19	92501-06020	SCREW, pan head		2		
25-20	183-82341-00	CODE, hightension		2		
25-21	166-82370-20	PLUG CAP ASS'Y		2		
25-22	183-82530-01	STOP SWITCH ASS'Y		1		
25-23	136-82540-00	NEUTRAL SWITCH ASS'Y		1		
25-24	136-82543-00	GASKET	11.6-20-1.0	1		
25-25	183-83371-20	HORN		1		
25-26	91201-06015	BOLT		2		
25-27	92901-06100	WASHER, spring		2		
25-28	218-82590-10	WIRE HARNESS ASS'Y		1		
25-29	94700-00033	PLUG, spark	B9HC	2		
	94700-00034	PLUG, spark	B9H	2		
		<b>ALTERNATE PARTS</b>				
25-30	173-83350-70	FLASHER RELAY ASS'Y		1		
25-31	92501-06012	SCREW, pan head		1		
25-32	92901-06100	WASHER, spring		1		



# NUMERICAL INDEX





# NUMERICAL INDEX

Ref No.	Parts No.	Ref No.	Parts No.	Ref No.	Parts No.
18-16	101-24356-00	9-21	127-14161-00	7- 7	132-15665-00
19-15	101-24356-00	9-14	127-14164-00	7- 8	132-15676-00
5-33	102-17463-00	9- 5	127-14190-15	4- 8	132-16321-00
5-34	102-17464-00	9- 4	127-14195-00		
21-26	102-25137-00	15-27	128-27114-00	4- 9	132-16351-00
21-11	102-25315-00	5-24	131-15643-00	4- 2	132-16369-00
22-45	102-25375-00	5-23	131-15653-00	4- 5	132-16371-03
22-26	102-25412-00	4- 4	131-16154-00	5-20	132-17216-00
25- 3	102-82122-00	25- 1	131-82110-60	5- 3	132-17216-00
21-23	109-25135-00	25- 1-1	131-82111-60	5- 4	132-17414-00
22-44	109-25373-00	3-12	132-11511-02	5-19	132-17414-00
21-32	109-26344-00	3- 2	132-11422-03	6-10	132-18113-01
20-33	109-26345-00	3- 3	132-11432-03	6- 2	132-18123-00
11-16	115-13124-00	3-17	132-11515-01	6- 3	132-18124-00
15-22	116-21483-00	3- 9	132-11561-00	6- 4	132-18133-00
13-32	116-28317-00	3-29	132-11634-00	6-30	132-18535-01
7-44	117-15644-00	3- 8	132-11685-00	6- 7	132-18137-00
19-18	117-21782-00	11-29	132-13144-00	6-24	132-18148-01
14-15	120-27433-00	11-46	132-13166-00	6-26	132-18143-00
1-12	122-11361-00	11-50	132-13174-00	6-25	132-18177-00
3- 7	122-11681-00	11- 6	132-13178-01	18- 4	132-24161-00
4-17	122-16164-00	9-25	132-14135-00	18-13	132-24311-00
19- 5	122-21725-00	9-34	132-14146-00	19-12	132-24319-01
16-19	122-23114-00	9-33	132-14173-00	18-14	132-24331-00
16-29	122-23129-00	9-32	132-14174-00	18-17	132-24500-02
16-56	122-23480-00	9-29	132-14177-00	18-18	132-24511-02
16-57	122-23483-00	10-15	132-14613-00	18-21	132-24515-00
18- 7	122-24181-00	1-10	132-15351-00	18-26	132-245138-0
18- 6	122-24610-01	1-11	132-15353-00	18-19	132-24521-00
22-18	122-25355-00	1-20	132-15371-00	18-20	132-24522-00
15- 2	122-27112-00	5-11	132-15389-00	18-27	132-24525-00
15- 6	122-27116-00	2-19	132-15416-00	18-22	132-24531-00
23-18	126-83516-20	2-15	132-15451-00	18-23	132-24532-00
1-18	126-11171-60	7-14	132-15616-00	22-13	132-25364-00
11- 1	126-13116-00	7-15	132-15617-00	15-15	132-27416-00
11-49	126-13184-00	7-13	132-15625-00	12- 3	132-81221-10
9-22	127-14124-23	4-16	132-15631-00	12-17	132-81231-10
9-13	127-14125-00	7- 6	132-15664-00	12-13	132-81232-10

# NUMERICAL INDEX

Ref No.	Parts No.	Ref No.	Parts No.	Ref No.	Parts No.
12- 7	132-81426-10	4-10	137-16333-00	16-33	156-23412-00
23-11	132-84328-60	4-11	137-16337-01	16-44	156-23418-00
23-14	132-84335-60	4-14	137-16356-00	23-37	156-24186-00
13- 8	135-22243-00	4- 7	137-16367-00	17-34	156-26241-00
3-18	136-11561-00	3-26	137-16377-00	17-35	156-26242-00
13-34	136-21713-00	4-13	137-16377-00	17-18	156-26243-02
19- 6	136-21713-00	4-12	137-16378-00	17-27	156-26261-01
13- 9	136-22243-00	19-11	137-21761-00	17-23	156-26346-00
16-36	136-23415-00	19- 8	137-21762-00	22-50	156-27237-00
22- 7	136-25317-00	19-10	137-21763-00	15-19	156-27413-00
11-14	137-13125-00	19- 9	137-21764-00	16-55	156-83525-00
11-23	137-13127-00	19-13	137-21767-00	17- 1	157-26111-00
11-37	137-13128-00	19-14	137-21768-01	15-16	157-27411-00
11-12	137-13129-00	13-35	137-21778-00	15-17	157-27416-00
11-18	137-13131-01	19- 7	137-21778-00	9-17	164-14137-00
11-21	137-13134-00	16-23	137-23346-00	9- 2	164-14141-30
11-22	137-13135-00	16-37	137-23454-00	9- 8	164-14184-00
		18-10	137-24186-00	9- 6	164-14185-00
11-28	137-13137-00	18-11	137-24187-00	2- 9	164-15415-00
11-30	137-13138-00	18-15	137-24331-00	4-23	164-16343-00
		18-24	137-24523-00	5- 8	164-17427-00
11-26	137-13141-00	21-27	137-25155-00	5-26	164-17427-00
11-25	137-13142-00	22-37	137-25385-00	5-13	164-17471-02
11-31	137-13147-00	18- 8	137-28181-00	6-14	164-18552-01
11-11	137-13148-00	25- 4	137-82131-01	6-21	164-18561-00
11-42	137-13165-00	25-23	136-82540-00	6-28	164-18571-00
11-41	137-13167-00	25-24	136-82543-00	6-27	164-18572-00
11-45	137-13167-00	16-43	141-23427-00	14-13	164-22216-00
11-40	137-13169-00	3-32	146-11545-00	13-11	164-22241-00
11- 4	137-13176-00	25- 9	148-82151-00	16- 5	164-23125-00
11-43	137-13187-00	17-19	150-26249-00	16- 8	164-23143-00
9- 3	137-14143-15	17- 6	150-83912-00	16- 7	164-23145-00
9- 3	137-14143-17	23-34	152-84518-00	16- 3	164-23147-00
9- 3	137-14143-19	11-13	156-13120-00	16-46	164-23441-00
9- 3	137-14143-20	11-27	156-13145-00	16-31	164-23462-00
9- 3	137-14143-22	9-16	156-14116-09	15-12	164-27414-00
9- 7	137-14186-00	7-17	156-15618-01	15-13	164-27417-00
4- 6	137-16324-00	16-30	156-23411-00		



# NUMERICAL INDEX

Ref No.	Parts No.	Ref No.	Parts No.	Ref No.	Parts No.
25- 5	164-82124-00	9-31	174-14178-00	1-14	183-11311-01
25- 8	164-82150-00	9- 9	174-14181-01	1-15	183-11321-01
23-19	164-83536-20	2-13	174-15363-00	1-13	183-11351-00
23-33	164-84751-60	4-28	174-16340-00	3- 1	183-11412-02
25-21	166-82370-20	4-21	174-16348-00	3- 4	183-11442-02
16-10	167-23142-00	4-27	174-16359-00	3-14	183-11512-00
22-39	167-25379-00	4-22	174-16362-00	3-15	183-11541-00
23-24	167-83550-00	4-25	174-16365-00	3-30	183-11601-00
23-36	168-21738-00	5-32	174-17461-40	3-30	183-11601-10
18- 9	168-24176-00	5-32	174-17461-50	3-30	183-11601-20
18-25	168-24524-00	5-32	174-17461-60	3-27	183-11631-02
17-21	168-26337-00	5-31	174-17462-00	3-27	183-11631-12
17-22	168-26344-00	2-11	174-18428-00	3-27	183-11631-22
25-18	168-82311-00	6-19	174-18544-00	3-28	183-11633-00
25-17	168-82312-00	6-32	174-18558-00	3- 5	183-11651-00
25-14-1	168-82511-00	6-34	174-18578-00	11- 0-1	183-13101-01
17- 8	168-83913-00	13-20	174-21746-00	11-47	183-13161-01
17-16	168-83913-00	19-17	174-21776-00	11-48	183-13171-01
17-33	168-83936-00	16-49	174-23421-00	9-15	183-14112-20
23-28	168-84712-60	16-42	174-23424-00	9-15	183-14113-20
23-27	168-84714-00	16-53	174-23425-00	9-26	183-14175-01
23-15	168-84354-00	16-41	174-23428-00	9-27	183-14176-00
23-29	168-84721-60	16-54	174-23453-00	9-38	183-14196-00
17-26	169-26251-00	20- 2	174-24741-00	9-37	183-14197-01
17-20	169-26290-00	15-25	174-27317-00	8- 1	183-14411-01
11-10	170-13110-00	13-33	174-28316-00	8- 3	183-14412-00
6-33	173-15353-00	25-16	174-82310-60	8- 1	183-14421-01
25-30	173-83350-70	23-35	174-84753-00	8- 3	183-14422-00
23-25	173-84313-00	10-10	178-14766-00	8- 2	183-14451-00
11- 2	174-13175-00	7- 0-1	178-15610-00	8- 9	183-14453-00
9-10	174-14122-00	7-11	178-15611-00	8-10	183-14456-00
9-12	174-14123-00	14-14	178-27430-00	8- 9	183-14463-00
9-19	174-14131-01	7- 3	180-15641-00	10-16	183-14718-30
9-11	174-14134-00	7- 1	180-15661-00	10-17	183-14728-30
9-18	174-14136-00	7- 2	180-15687-00	10-12	183-14771-30
9-20	174-14158-01	22-51	180-27236-00	1- 1	183-15111-01
9-23	174-14169-01	1-17	183-11111-00	1- 2	183-15121-00
9-24	174-14171-00	1-16	183-11181-00	1-21	183-15357-00

# NUMERICAL INDEX

Ref No.	Parts No.	Ref No.	Parts No.	Ref No.	Parts No.
2- 1	183-15410-00	13-27	183-21711-60-02	16-35	184-34511-00
2- 2	183-15418-01	19- 4	183-21714-00	16-34	183-23412-00
2-14	183-15421-01	13-28	183-21714-00	16-45	183-23419-00
2- 6	183-15425-01	19- 1	183-21751-00-01	16-52	183-23422-00
2- 3	183-15448-00	19- 1	183-21751-00-02	16-38	183-23435-00
5-25	183-15651-00	19- 2	183-21771-10	21- 2	183-25104-00
3-24	183-16111-00	13-31	183-21786-01	21- 1	183-25111-00
3-23	183-16136-00	13-18	183-21797-00	21- 7	183-25117-00
4- 1	183-16150-00	14- 1	183-22110-01-33	21-10	183-25118-00
4-15	183-16181-00	14- 2	183-22123-00	21-12	183-25121-00
4- 0-1	183-16301-01	14- 3	183-22141-01	21-15	183-25135-00
4-19	183-16357-00	14-18	183-22142-10	21-21	183-25138-00
5- 7	183-17121-01	13-15	183-22143-00	21-22	183-25146-00
5- 6	183-17131-00	14- 5	183-22151-00	21-14	183-25147-00
5- 5	183-17141-00	14- 6	183-22311-01	22-16	183-25149-00
5- 2	183-17151-00	14- 9	183-22316-01	21-34	183-25181-01
5-22	183-17211-00	14- 7	183-22331-01	21-35	183-25183-00
5-16	183-17221-01	14- 8	183-22332-01	22- 2	183-25304-00
5-17	183-17231-00	16-21	183-23111-00	22- 1	183-25311-00
5-18	183-17241-00	16-20	183-23112-00	22- 8	183-25315-00
5-21	183-17251-00	16-16	183-23116-00	22-14	183-25321-00
5- 0-1	183-17401-00	16-17	183-23121-00-62	22-19	183-25330-00
5- 0-2	183-17402-00	16-17	183-23121-00-65	22-16	183-25330-00
5- 1	183-17411-00			21-20	183-25333-00
5-15	183-17421-00			22-17	183-25333-00
5-28	183-17429-00	16- 4	183-23124-00	21-18	183-25351-00
6- 1	183-18101-00	16- 1	183-23126-00	22-15	183-25351-00
6- 9	183-18111-01	16- 6	183-23127-00	22-24	183-25366-01
6- 0-1	183-18500-01	16-18	183-23131-00-62	22-41	183-25371-00
6-13	183-18511-00	16-18	183-23131-00-65	22-46	183-25378-00
6-16	183-18512-00			22-29	183-25381-00
6-17	183-18513-00	16- 2	183-23136-00	22-31	183-25383-00
6-12	183-18541-01	16- 9	183-23141-10	22-35	183-25386-00
13- 3	183-21165-00	16-15	183-23163-00	22-23	183-25387-00
13-21	183-21170-00	16-11	183-23191-40	22-36	183-25388-00
13-12	183-21315-00	16-12	183-23193-40	22-30	183-25389-00
13- 2	183-21610-00-93	16-25	183-23318-00	22-25	183-25437-10
13-27	183-21711-60-01	16-22	183-23340-00	22-25	183-25439-10

# NUMERICAL INDEX

Ref No.	Parts No.	Ref No.	Parts No.	Ref No.	Parts No.
19-16	183-24369-00	25-25	183-83371-20	9- 0-2	218-14102-61
20- 5	183-24830-00	23-17	183-83510-70	10- 1	218-14610-30
17-32	183-26278-00	23-23	183-83513-00	10- 2	218-14620-30
17-28	183-26312-00	23-22	183-835299-70	10- 3	218-14753-30
17-29	183-26313-00	23-20	183-83537-20	10- 8	2p8-14766-10
15- 1	183-27111-10	23-21	183-83538-20	13- 1	218-21110-00
15- 5	183-27115-00	23- 0-1	183-84300-61-62	13-36	218-21471-00
15- 3	183-27211-10	23- 0-1	183-84300-61-65	13- 7	218-22210-20
15- 7	183-27231-00			17-25	218-26311-00
15- 8	183-27216-00			17-30	218-26321-00
15-23	183-27311-00	23- 1	183-84311-00-62	17-31	218-26335-00
15-24	183-27316-00	23- 1	183-84311-00-65	15-11	218-27411-10
15-14	183-27412-00			25-28	218-82590-10
13-26	183-28100-01			17- 2	218-82910-00
12- 0-1	183-81400-12	23- 5	183-84312-60	17-10	218-82920-30
12- 2	183-81410-11	23- 4	183-84314-00	17-15	218-83915-00
12-10	183-81433-10	23- 3	183-84315-61	17-14	218-83922-30
12-20	183-81435-10	23- 2	183-84320-60	10- 4	222-14752-30
12- 1	183-81450-11	23-16	183-84353-00	17-36	232-83980-30
12-22	183-81451-10	23-40	183-84756-00	16-66	233-85111-00
12-23	183-81452-10	9- 1	193-14142-17	18- 2	241-24171-00
12-25	183-81462-10	9-28	193-14486-00	18- 3	241-24172-00
25-10	183-81975-00	13-30	193-21787-60	17-24	241-26341-40
25- 2	183-82112-00	23-30	193-84724-00	16- 0-2	242-21500-00
25- 6	183-82115-00	7-12	194-15612-00	16-58	242-21510-00
25- 7	183-82116-00	25-13	195-81970-11	16-59	242-21513-00
25-20	183-82341-00	23- 6	195-84325-00	16- 0-1	245-23100-60-62
25-14	183-82506-31	23- 9	198-84331-60	16- 0-1	245-23100-60-65
25-22	183-82530-01	23-13	198-84334-60		
24- 1	183-83310-71	23- 0-1	202-84710-60		
24- 5	183-83311-70	23-26	202-84711-60	16-13	245-23122-60
24-12	183-83311-70	22-52	206-27238-00	16-14	245-23132-60
24-11	183-83313-20	22-27	207-25411-00	16-40	245-23443-00
24- 4	183-83313-20	24- 8	211-83330-71	16-39	245-23451-00
24- 3	183-83333-71	19- 3	214-21772-00	18- 1	245-24110-00-01
24-10	183-83333-71	8-11	217-14456-00	18- 1	245-24110-00-02
24- 2	183-83332-70	3- 0-1	218-11400-00		
24- 9	183-83332-70	9- 0-1	218-14101-61		

# NUMERICAL INDEX

Ref No.	Parts No.	Ref No.	Parts No.	Ref No.	Parts No.
20- 1-1	245-24731-00	1- 4	92501-06055	21-29	92801-06100
20- 1	245-24730-00	2- 5	92501-06055	21-30	92901-06100
		23-31	92503-06012	22-21	92901-06100
		18-12	92801-06100	23-32	92901-06100
16-50	91101-06010	22-20	92801-06100	23-39	92901-06100
7-16	91101-06020	23-38	92801-06100	25-12	92901-06100
6-11	91201-06020	4-24	92801-06300	25-27	92901-06100
21-28	91201-06030	16-62	92801-06300	25-32	92901-06100
22-19	91201-06030	17- 9	92801-06300	1-19	92901-06200
25-26	91201-06015	17-17	92801-06300	8- 8	92901-06200
17- 7	91203-06020	22-40	92801-06300	10- 7	92901-06200
16-60	91204-06012			13-29	92901-06200
6-15	91401-25020	22-38	92801-14200	15- 9	92901-06200
9-30	91401-12006	13-10	92803-10700	21-31	92901-06200
11-38	91401-12018	12-15	92901-03100	22-22	92901-06200
15-10	91401-20012	12-16	92901-03200	22-53	92901-08100
22-49	91401-20012	9-36	92901-04100	10-14	92901-08100
11-34	91608-20010	12- 5	92901-04100	12-24	92901-08100
1- 3	91810-08016	12- 9	92901-04100	13- 4	92901-08100
1- 8	91810-03014	12-12	92901-04100	13-16	92901-08100
2-16	91810-03014	12- 6	92901-04200	13-23	92901-08100
10- 5	91903-06010	12-19	92901-04100	13-38	92901-08100
10- 9	91903-06008	23-10	92901-04200	15-21	92901-08100
10-11	91903-06010	6-23	92901-05100	16-27	92901-08100
4-26	92501-06008	11-32	92901-05100	16-48	92901-08100
2-12	92501-06008	12-21	92901-05100	16-65	92901-08100
14-10	92501-06010	16-67	92901-05100	20- 4	92901-08100
25-11	92501-06010	17- 5	92901-05100	22-44	92901-08100
14-11	93501-06012	17-13	92901-05100	22-48	92901-08100
25-31	92501-06012	8- 5	92801-05200	24- 7	92901-08100
4-29	92501-06015	8- 6	92501-06015	24-14	92901-08100
5-14	92501-06015	1- 5	92501-06060	13- 6	92901-08200
2- 8	92501-06020	1- 6	92501-06070	11- 7	92901-08400
25-19	92501-06020	1- 7	92501-06080	16-24	92901-10100
2-17	92501-06030	8- 7	92901-06100	3-25	92901-12100
2- 7	92501-06040	10- 6	92901-06100	14-17	92901-12100
2- 8	92501-06040	14-12	92901-06100	16-61	92904-06200
2- 4	92501-06045	16-51	92901-06100	11-36	93101-10001
		16-63	92901-06100		

# NUMERICAL INDEX

Ref No.	Parts No.	Ref No.	Parts No.	Ref No.	Parts No.
11- 5	93101-10002	5-10	93450-22012	14-16	97201-12040
6- 6	93101-12004	3-11	93450-52010	10-13	97203-08015
21- 9	93102-18008	4-18	93501-04004	16-47	97204-08035
3-20	93102-20010	16-32	93501-04004	12-14	98301-03006
5-30	93102-28021	4-20	93505-16006	12- 4	98301-04008
3-21	93103-28011	6-31	93505-16006	3-10	93306-20504
11-17	93104-04001	11-39	93505-32002	18-28	98501-03006
21-24	93104-07003	11-15	93602-04029	2-10	98501-04005
11-24	93104-14004	1-22	93602-10061	11-44	98501-04005
22-10	93104-22018	11-19	93603-12030	12- 8	98501-04008
21-13	93105-47007	1- 9	93603-14026	12-11	98501-04008
22-34	93106-26005	11- 3	93603-22028	12-18	98501-04008
7-10	93109-15001	3-13	93604-18058	16-28	98501-04008
21-25	93210-14104	6-18	93604-22050	18- 5	98501-04008
3-22	93210-18023	21- 4	94125-18020	2-20	98501-04010
22-12	93210-42101	22- 4	94127-18025	11-35	98501-04010
3-16	93210-48045	21- 5	94225-18006	8- 4	98501-05008
22-32	93306-00406	22- 5	94227-18009	6-22	98501-05012
22- 9	93306-20201	21- 6	94325-18005	23- 7	98501-05012
22-11	93306-20204	22- 6	94327-18007	9-35	98501-04015
21- 8	93306-30102	21- 3	94414-18034	11- 9	98501-05015
5-12	93306-30301	22- 3	94416-18018	8-12	98501-05020
5-29	93306-30401	22-54	94504-28104	17- 3	98501-05020
3-19	93306-30403	22-54A	94604-28001	17-11	98501-05020
3-31	93310-11201	25-29	94700-00033	17- 4	98501-05024
3- 6	93310-11201	25-29	94700-00034	17-12	98501-05024
5- 9	93315-31501	13-14	97101-08060	25-15	98503-04008
4- 3	93341-22302	13-14	97101-08055	23-12	98801-04300
5-27	93410-15005	13-17	97101-08115	11-38	98801-05200
7- 9	93410-15005	13-19	97201-08010	23- 8	98801-05300
21-17	93410-20009	13-19	97201-08010	6- 5	98801-08100
7- 5	93410-25017	16-64	97201-08010	13-25	98801-08100
22-33	93420-42007	13- 5	97201-08012	22-47	98801-08100
6-20	93430-03014	13-37	97201-08015	22-28	98801-08200
6- 8	93430-10016	15-20	97201-08020	24- 6	98801-08200
15- 4	93430-12008	16-26	97201-08025	24-13	98801-08200
11-20	93440-08001	13-22	97201-08040	11- 8	98801-08300
6-29	93440-15012	20- 3	97201-08050	15-18	98801-08300
		13-24	97201-08060	15-26	98801-08300
				22-43	98801-08300
				14- 4	98801-12200
				21-36	98801-12200





---

First edition, Oct., '68

**YAMAHA AS2C**  
**PARTS LIST**

**YAMAHA MOTOR CO., LTD.**  
HAMAKITA JAPAN

---









**YAMAHA MOTOR CO., LTD.**

PRINTED IN JAPAN