



YAMAHA

PARTS LIST

MODEL AS3

YAMAHA MOTOR CO., LTD.

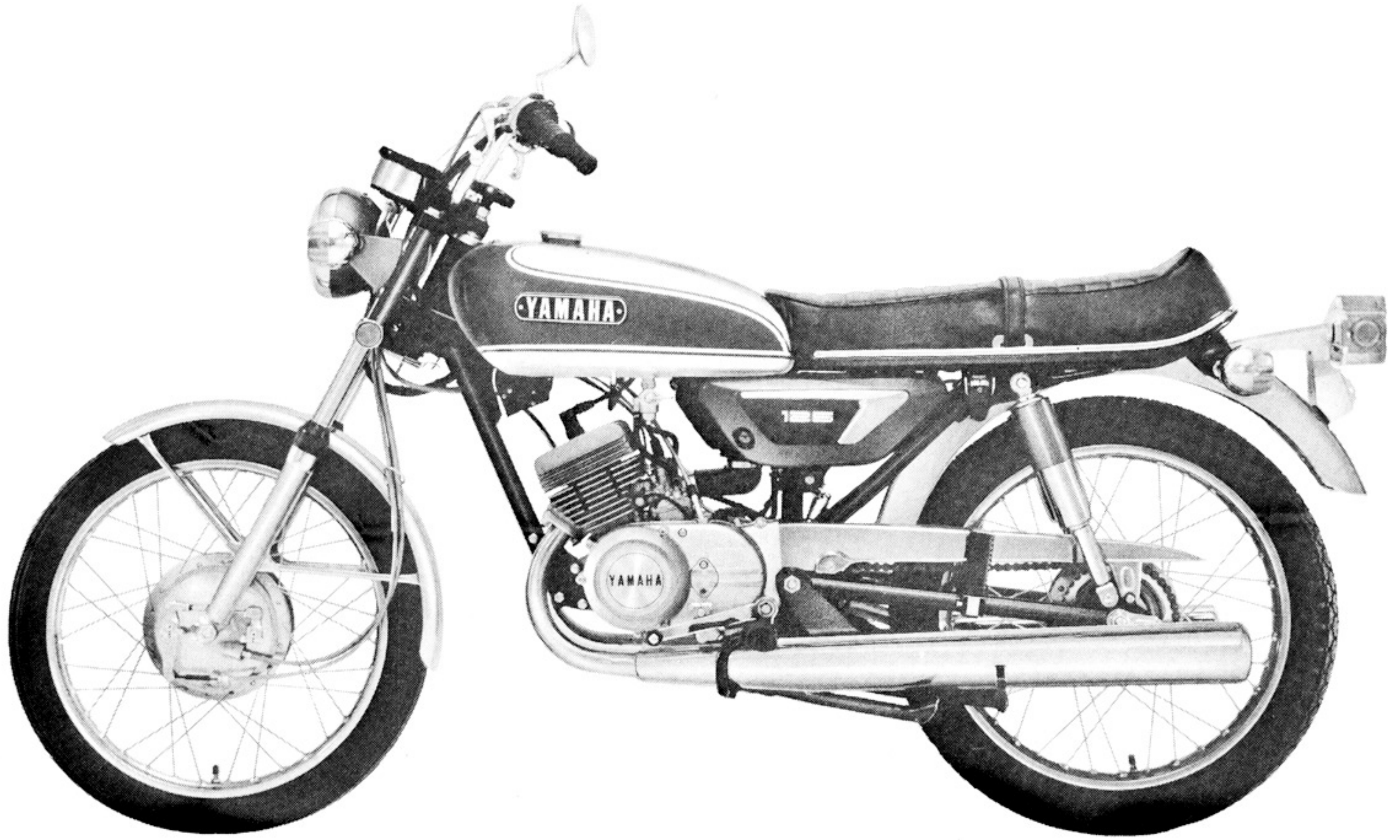


YAMAHA

PARTS LIST

MODEL AS3





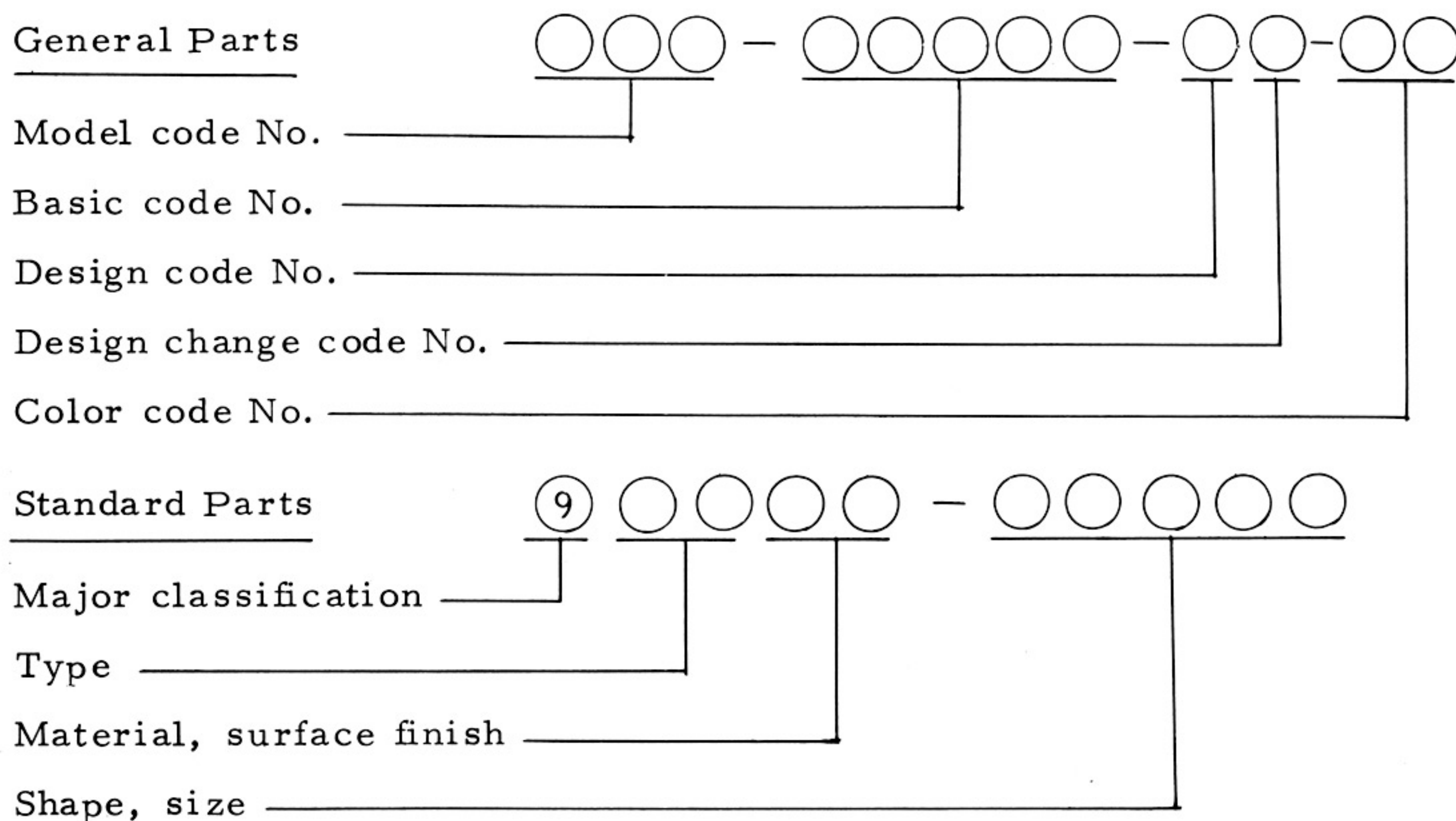


FOREWORD

This Parts List relates to the parts in use for the Yamaha AS3. When you are ordering replacement parts for the AS3, refer to this Parts List and quote both part numbers and part names correctly.

1. Structure of Part No.

Yamaha parts are divided largely into two categories; general parts and standard parts, and each part No. has the following structure:



Note: Every standard No. begins with 9.

2. How to Use this Parts List

(1) Except for steel balls (whose size is indicated in inches), the size of all parts is indicated in millimeters in the following manner.

Pipe (rubber or vinyl) Inside diameter - length

O-ring Sectional area - inside diameter

Washer, shim, collar Inside diameter - outside diameter - thickness (length)

(2) Parts, which are to be supplied in the form of assemblies, are listed with an indentation of one letter's space, and a dot (.) is put

against the name of each part. If any two different assemblies (e.g., right and left side components) consist of almost the same type components, these two assemblies are listed in two lines, and then the names of component parts are listed in the subsequent lines with an indentation as mentioned earlier. The quantity of parts is given in the following manner; that is, in the case of parts being the same in type between the right and left, a total quantity of parts is given. On the other hand, if the right and left side parts are different in type, the quantity of part(s) on each side is given.

Example

Description	Q'ty
CARBURETOR ASS'Y, left	1
CARBURETOR ASS'Y, right	1
. JET, pilot	2
. NOZZLE, main	2
.	
.	
.	
. LEVER, starter, left	1
. LEVER, starter, right	1

(3) Key to Symbols

U.R.	Use size (thickness) and/or number as required
T	Number of teeth in a gear
V	Voltage for light bulbs
S	"S" type oil seal or "S" type circlip
SD	"SD" type oil seal
SO	"SO" type oil seal
SW	"SW" type oil seal
E	"E" type circlip
R	"R" type circlip



F/No. Frame No. (Applicable machine No.)

- (4) The right and left in relation to parts are determined on the basis of the rider facing toward the front.
- (5) This Parts List is based on the model in the production line on March 15, 1971. Accordingly, if any modifications which have been made to parts will be announced in the Yamaha Parts News. It is advisable that according to the Yamaha Parts News, You will make necessary corrections to the Parts List on hand to keep it up-to-dated.



CONTENTS

ENGINE

Fig. 1	Cylinder·Crank Case	1
Fig. 2	Crankcase Cover	3
Fig. 3	Crank·Piston	7
Fig. 4	Clutch	11
Fig. 5	Transmission	13
Fig. 6	Shifter A	17
Fig. 7	Shifter B	21
Fig. 8	Starter	23
Fig. 9	Tachometer Gear	25
Fig. 10	Intake	27
Fig. 11	Carburetor	29
Fig. 12	Exhaust	33
Fig. 13	Oil Pump	35
Fig. 14	A, C Magneto Generator	39

CHASSIS

Fig. 15	Frame	43
Fig. 16	Side Cover·Box	45
Fig. 17	Rear Arm·Rear Cushion·Chain Case	47
Fig. 18	Stand·Footrest·Brake Pedal	49
Fig. 19	Front Fender·Rear Fender	53
Fig. 20	Front Fork	55
Fig. 21	Steering	59
Fig. 22	Handle Wire	63
Fig. 23	Fuel Tank	69
Fig. 24	Oil Tank	73
Fig. 25	Seat	75
Fig. 26	Front Wheel	77
Fig. 27	Rear Wheel	81

Fig. 28	Head Lamp	87
Fig. 29	Head Lamp (England)	89
Fig. 30	Head Lamp (W. Germany)	91
Fig. 31	Speedometer·Tachometer	93
Fig. 32	Tail Lamp 1	95
Fig. 33	Tail Lamp 2	97
Fig. 34	Flasher Lamp	99
Fig. 35	Electrical	101

NUMERICAL INDEX



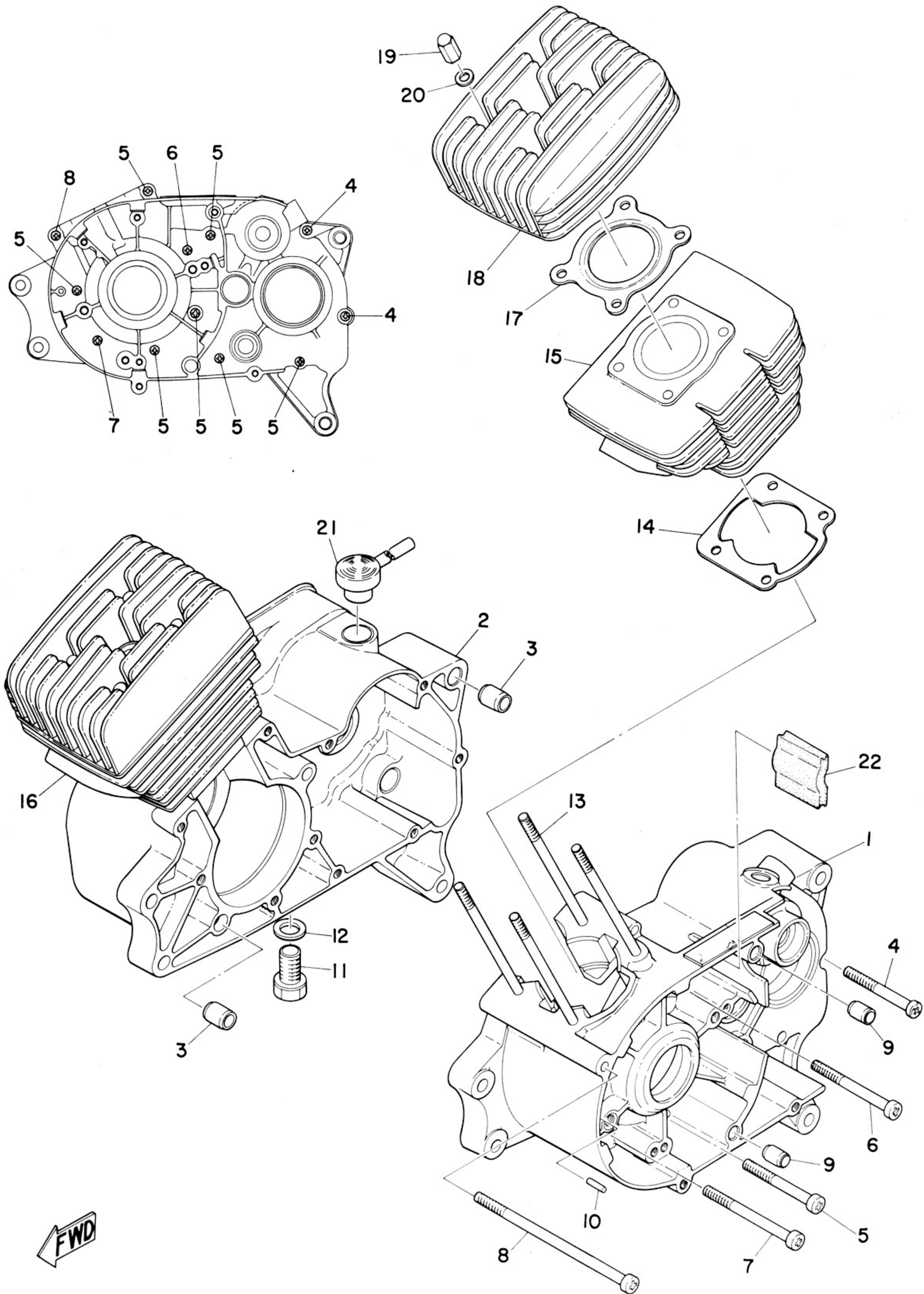
ENGINE







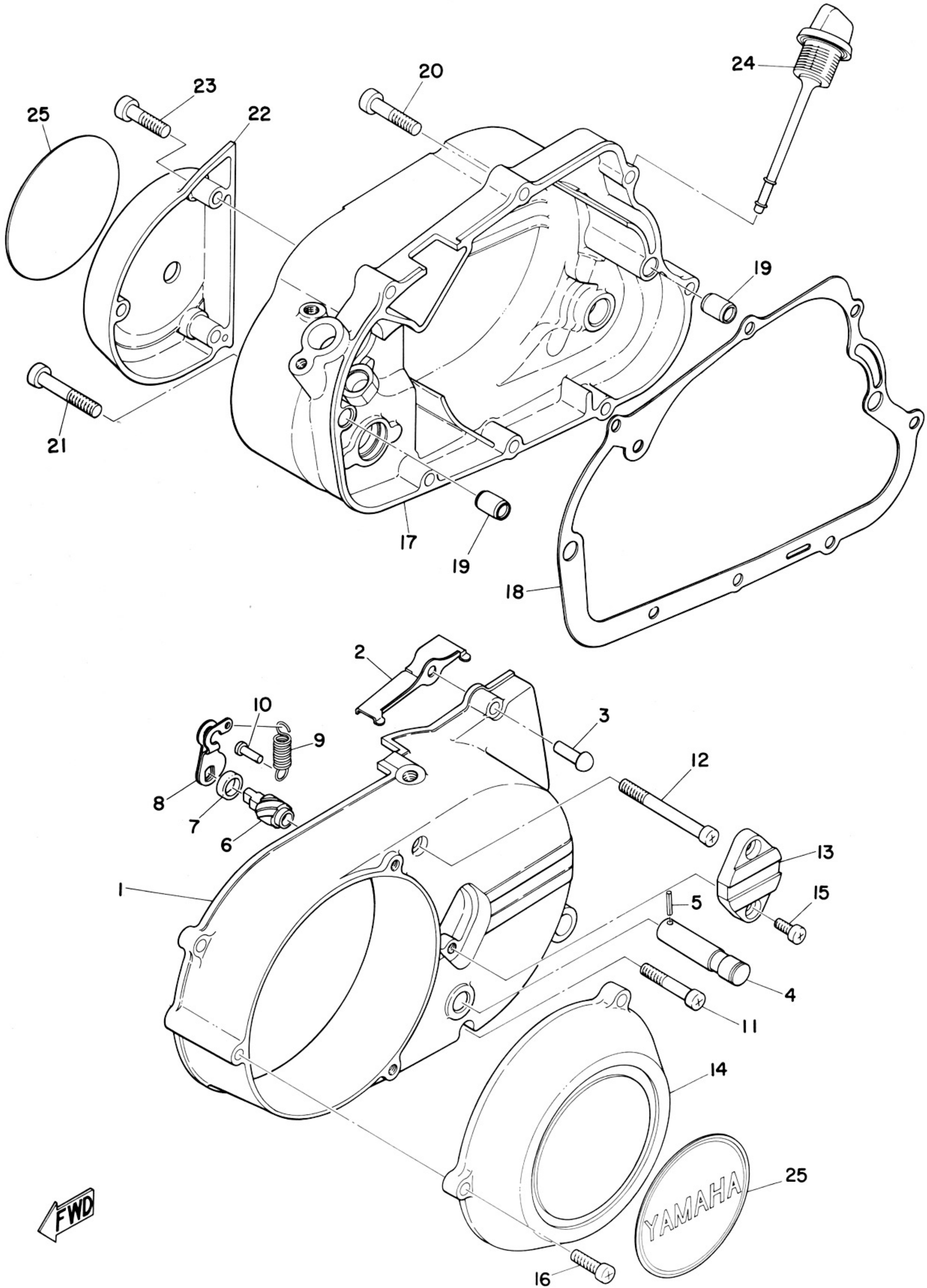
Fig. 1 CYLINDER · CRANKCASE



CYLINDER · CRANKCASE

Ref. No.	Part No.	Description	Q'ty	Applicable Machine No.	Remarks
1- 1	307-15111-00	CASE, crank left	1		
1- 2	307-15121-00	CASE, crank right	1		
1- 3	91810-08016	PIN, dowel (9.8-12-16)	2		
1- 4	92501-06055	SCREW, pan head	2		
1- 5	92501-06060	SCREW, pan head	7		
1- 6	92501-06070	SCREW, pan head	1		
1- 7	92501-06080	SCREW, pan head	1		
1- 8	92501-06120	SCREW, pan head	1		
1- 9	91810-03014	PIN, dowel (8.4-10-14)	2		
1-10	93603-14026	PIN, dowel (3-14)	1		
1-11	132-15351-00	PLUG, drain	1		
1-12	132-15353-00	GASKET, drain plug (12.5-19-1.5) ..	1		
1-13	122-11361-00	BOLT, cylinder holding	8		
1-14	307-11351-00	GASKET, cylinder	2		
1-15	307-11311-00	CYLINDER, left	1		
1-16	307-11321-00	CYLINDER, right	1		
1-17	183-11181-00	GASKET, cylinder head	2		
1-18	307-11111-00-94	HEAD, cylinder	2		
1-19	126-11171-60	NUT	8		
1-20	92901-06200	WASHER, plain	8		
1-21	132-15371-00	BREATHER	1		
1-22	241-15357-00	GROMMET	1		

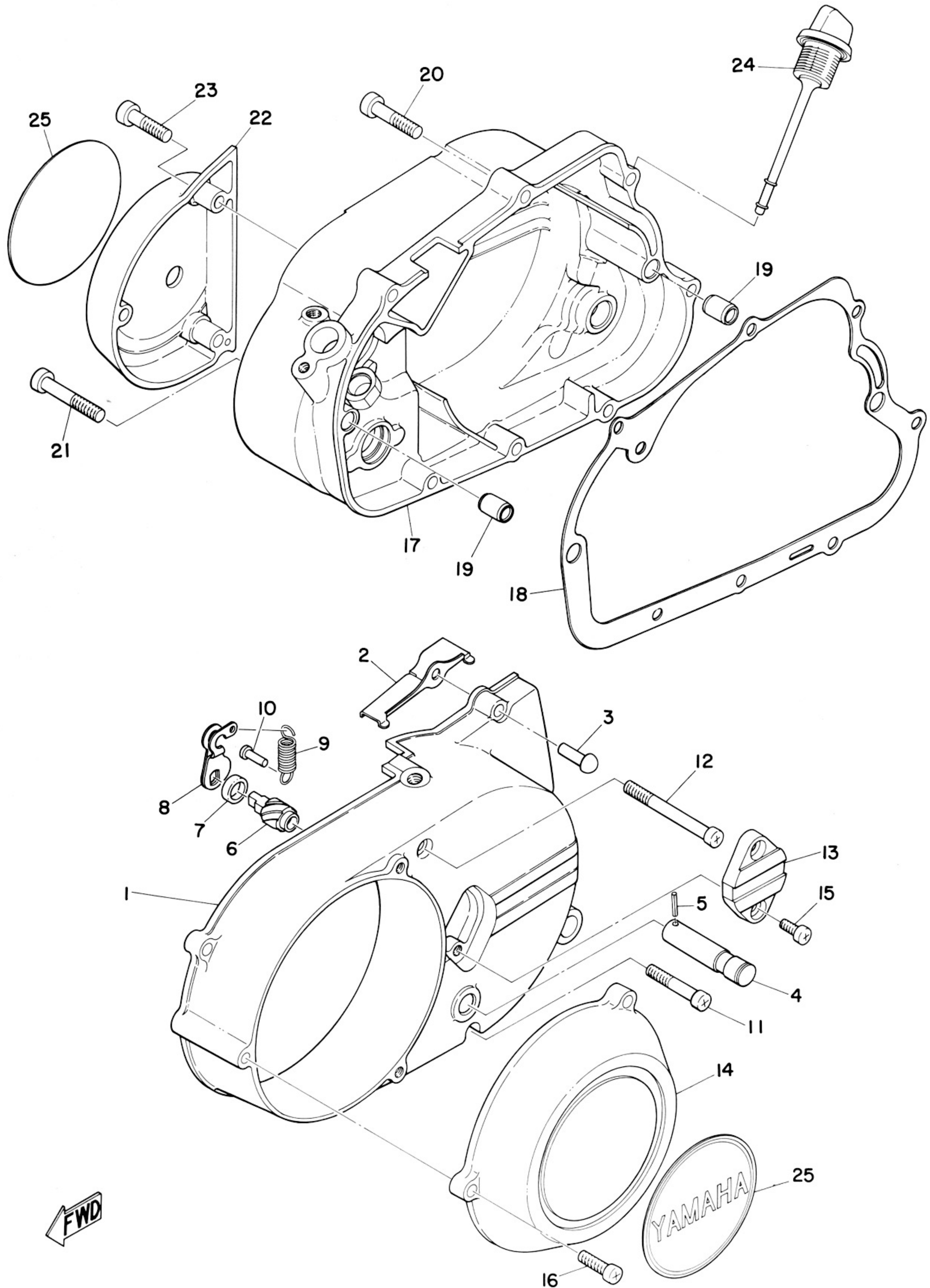
Fig. 2 CRANKCASE COVER



CRANKCASE COVER

Ref. No.	Part No.	Description	Q'ty	Applicable Machine No.	Remarks
2- 1	307-15410-00	CRANKCASE COVER ASS'Y, left ...	1		
2- 2	183-15418-01	. COVER, chain case	1		
2- 3	183-15448-00	. RIVET	1		
2- 4	307-18188-00	. SHAFT	1		
2- 5	91609-30014	. PIN, spring	1		
2- 6	241-16341-01	. SCREW, push	1		
2- 7	93104-11028	. OIL SEAL (SO-10.5-15-3)	1		
2- 8	241-16342-00	. LEVER, push	1		
2- 9	132-16345-00	. SPRING, lever return	1		
2-10	132-16346-00	. HOOK, spring	1		
2-11	92501-06035	SCREW, pan head	2		
2-12	92501-06060	SCREW, pan head	1		
2-13	307-15417-00	COVER, cap	1		
2-14	307-15415-00	COVER, generator	1		
2-15	98501-05012	SCREW, pan head	2		
2-16	92501-06020	SCREW, pan head	3		
2-17	307-15421-00	COVER, crankcase, right	1		
2-18	252-15451-00	GASKET, crankcase cover, right ...	1		
2-19	91810-03014	PIN, dowel (8.5-10-14)	2		
2-20	92501-06030	SCREW, pan head	7		
2-21	92501-06040	SCREW, pan head	1		
2-22	307-15416-00	COVER, oil pump	1		

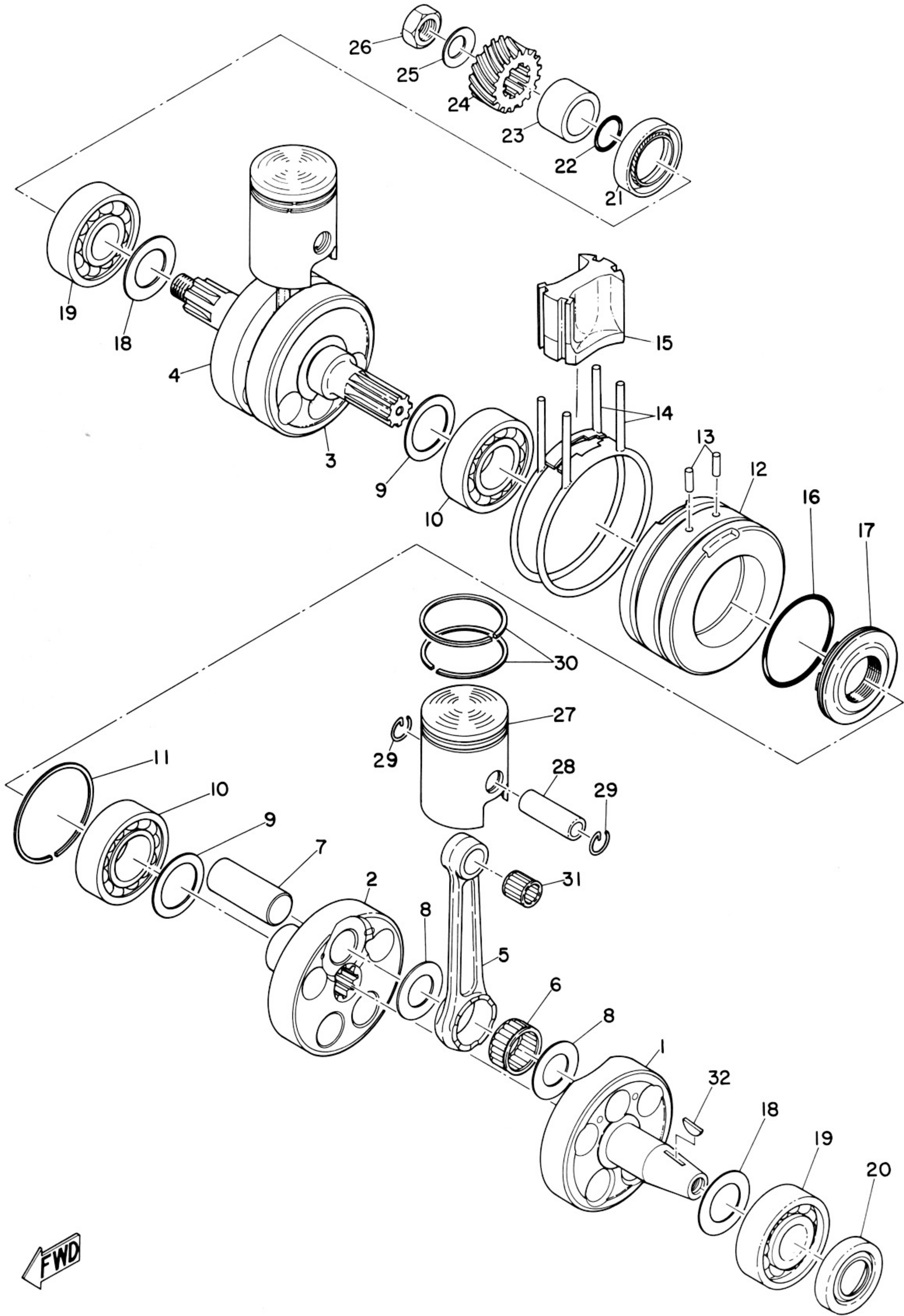
Fig. 2 CRANKCASE COVER



CRANKCASE COVER

Ref. No.	Part No.	Description	Q'ty	Applicable Machine No.	Remarks
2-23	92501-06025	SCREW, pan head	3		
2-24	307-15363-00	PLUG, oil	1		
2-25	307-15425-00	COVER	2		

Fig. 3 CRANK · PISTON

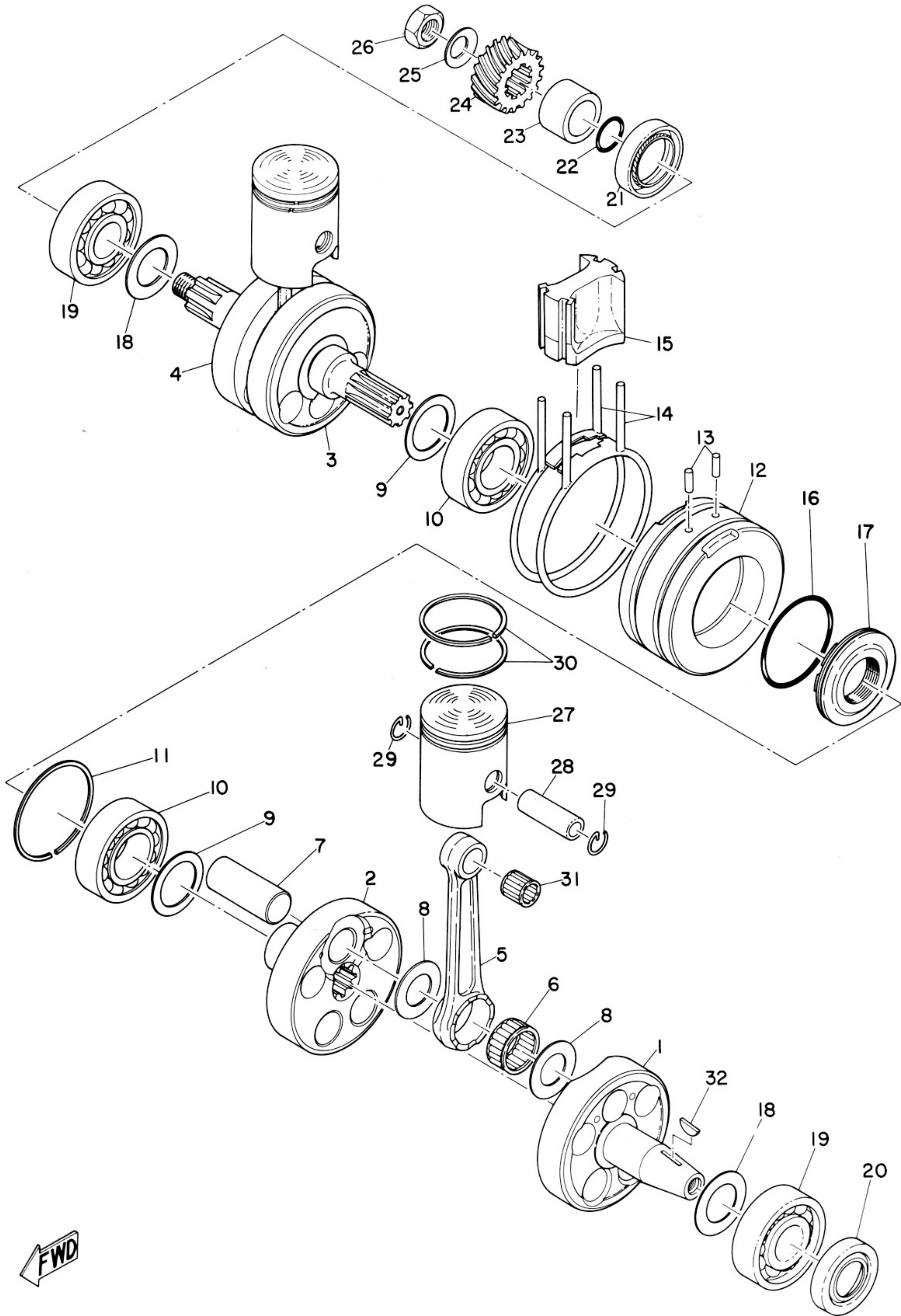


FWD

CRANK · PISTON

Ref. No.	Part No.	Description	Q'ty	Applicable Machine No.	Remarks
3- 0-1	218-11400-00	CRANK ASS'Y	1		
3- 1	183-11412-02	. CRANK 1, left	1		
3- 2	132-11422-03	. CRANK 1, right	1		
3- 3	132-11432-03	. CRANK 2, left	1		
3- 4	183-11442-02	. CRANK 2, right	1		
3- 5	183-11651-00	. ROD, connecting	2		
3- 6	93310-41809	. BEARING	2		
3- 7	122-11681-00	. PIN, crank	2		
3- 8	132-11685-00	. WASHER, crank pin	4		
3- 9	132-11561-00-03	. WASHER, crank inside(25.5-35-0.3)	2		
3-10	93306-20513	. BEARING (6205C special)	2		
3-11	93450-52010	. CIRCLIP (52φ)	1		
3-12	132-11511-02	. COVER, crank	1		
3-13	93604-18058	. PIN, dowel (4-17.8)	2		
3-14	183-11512-00	. SEAL, crank cover	2		
3-15	307-11541-00	. METAL, filler	1		
3-16	93210-48045	. O-RING (1.8-48)	1		
3-17	132-11515-01	. SEAL, labyrinth	1		
3-18	136-11561-00-03	SHIM, crank outside (20.5-30-0.3) .	} U.R 1		
	136-11561-00-04	SHIM, crank outside (20.5-30-0.4) .			
	136-11561-00-05	SHIM, crank outside (20.5-30-0.5) .			
	136-11561-00-06	SHIM, crank outside (20.5-30-0.6) .			
	136-11561-00-07	SHIM, crank outside (20.5-30-0.7) .			
	136-11561-00-08	SHIM, crank outside (20.5-30-0.8) .			

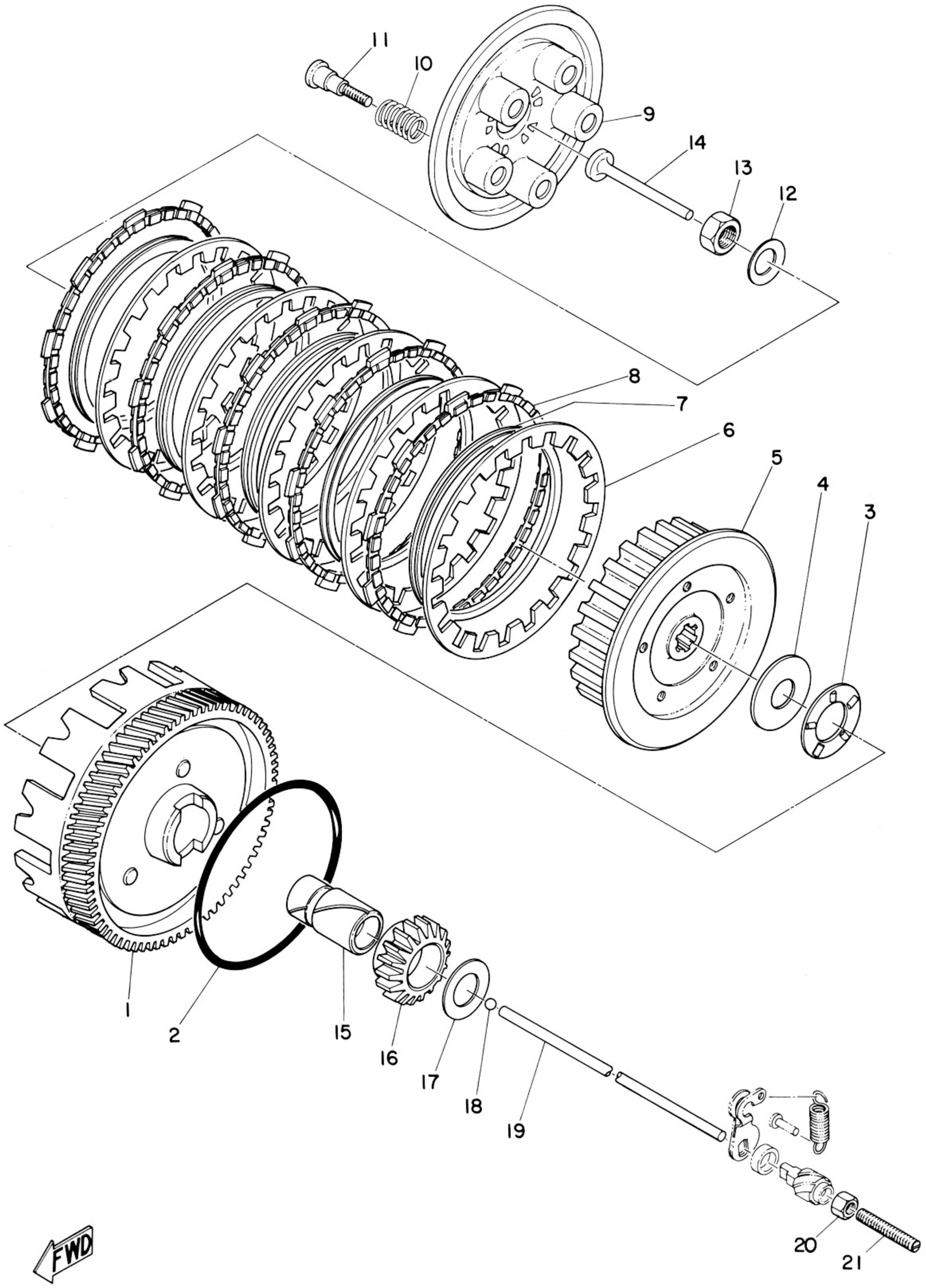
Fig. 3 CRANK · PISTON



CRANK · PISTON

Ref. No.	Part No.	Description	Q'ty	Applicable Machine No.	Remarks
3-19	93306-30405	BEARING (6304C3 special)	2		
3-20	93102-20010	OIL SEAL (SD-20-40-8)	1		
3-21	93103-28011	OIL SEAL (SW-28-40-8)	1		
3-22	93210-18023	O-RING (1.2-17.6)	1		
3-23	183-16136-00	COLLAR, distance	1		
3-24	183-16111-00	GEAR, primary drive (19T)	1		
3-25	164-16119-00	SPRING, Belleville	1		
3-26	137-16377-00	NUT, clutch boss	1		
3-27	307-11631-00-97	PISTON (STD 42.97mm)	} U.R. 2		
	307-11631-00-98	PISTON (STD 42.98mm)			
	307-11631-00-99	PISTON (STD 42.99mm)			
	307-11635-00	PISTON (1st O.S 43.25mm)	2		Alternate Part
	307-11636-00	PISTON (2nd O.S 43,50mm)	2		Alternate Part
3-28	183-11633-00	PIN, piston	2		
3-29	132-11634-00	CLIP, piston pin	4		
3-30	307-11610-00	PISTON RING SET (STD)	2s		
	307-11610-10	PISTON RING SET (1st O.S)	2s		Alternate Part
	307-11610-20	PISTON RING SET (2nd O.S)	2s		Alternate Part
3-31	93310-11201	BEARING	2		
3-32	146-11545-00	KEY, woodruff	1		

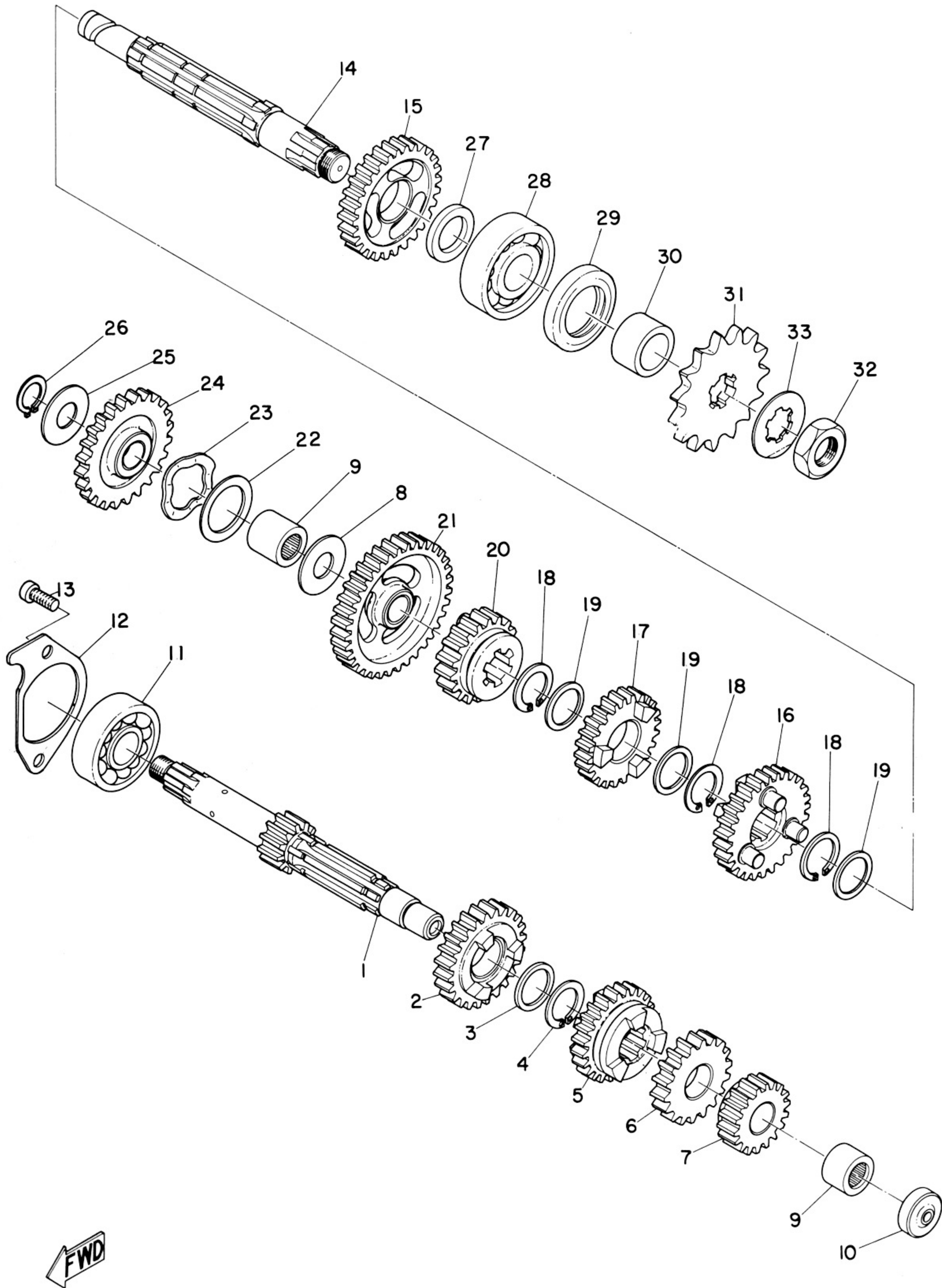
Fig. 4 CLUTCH



CLUTCH

Ref. No.	Part No.	Description	Q'ty	Applicable Machine No.	Remarks
4- 0-1	307-16301-00	CLUTCH ASS'Y	1		
4- 1	307-16150-00	. PRIMARY DRIVEN GEAR COMP. (74T)	1		
4- 2	132-16369-00	. RING, friction	1		
4- 3	93341-22302	. BEARING, thrust	1		
4- 4	131-16154-00	. PLATE, thrust (17.2-37-2.0) ...	1		
4- 5	132-16371-02	. BOSS, clutch	1		
4- 6	137-16324-00	. PLATE, clutch	5		
4- 7	307-16367-00	. RING, friction	5		
4- 8	307-16321-00	. PLATE, friction	5		
4- 9	132-16351-00	. PLATE, pressure	1		
4-10	132-16333-00	. SPRING, clutch	5		
4-11	137-16337-01	. SCREW, spring	5		
4-12	164-16119-00	SPRING, bellevile	1		
4-13	137-16377-00	NUT, clutch boss	1		
4-14	137-16356-00	ROD, push 1	1		
4-15	183-16181-00	SPACER (17-23-44.25)	1		
4-16	132-15631-00	GEAR, kick pinion (19T)	1		
4-17	122-16164-00	PLATE, thrust (17.2-30-2.0)	1		
4-18	93501-04004	BALL (1/4 inch)	1		
4-19	307-16357-00	ROD, push 2	1		
4-20	98801-06300	NUT	1		
4-21	241-16343-00	SCREW, adjusting	1		

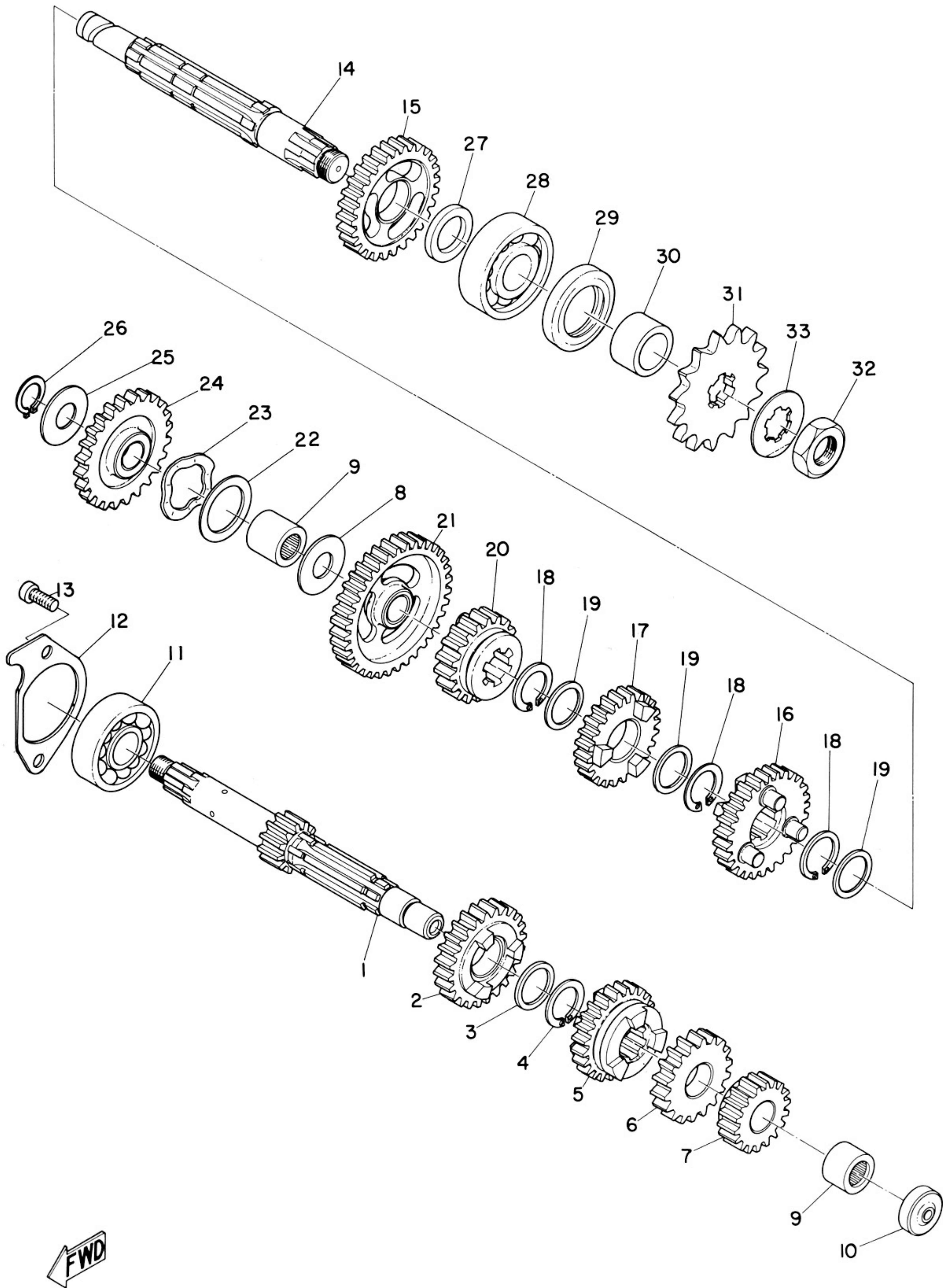
Fig. 5 TRANSMISSION



TRANSMISSION

Ref. No.	Part No.	Description	Q'ty	Applicable Machine No.	Remarks
5- 1	183-17411-00	AXLE, main (11T)	1		
5- 2	183-17151-00	GEAR, 5th pinion (25T)	1		
5- 3	132-17216-00	WASHER, gear hold (20-25-1.0) . . .	1		
5- 4	132-17414-00	CLIP, main axle	1		
5- 5	307-17141-00	GEAR, 4th pinion (22T)	1		
5- 6	307-17131-00	GEAR, 3rd pinion (20T)	1		
5- 7	183-17121-01	GEAR, 2nd pinion (16T)	1		
5- 8	164-17427-00	SHIM, drive axle (15.2-30-0.8) . . .	} U.R 1		
	164-17427-00	SHIM, drive axle (15.2-30-1.0) . . .			
	164-17427-00	SHIM, drive axle (15.2-30-1.2) . . .			
5- 9	93315-31502	BEARING	2		
5-10	132-15389-00	SEAL, push rod	1		
5-11	93306-30304	BEARING (6303Z)	1		
5-12	132-17471-02	PLATE, bearing cover	1		
5-13	92501-06012	SCREW, pan head	2		
5-14	183-17421-00	AXLE, drive	1		
5-15	307-17221-00	GEAR, 2nd wheel (29T)	1		
5-16	307-17231-00	GEAR, 3rd wheel (26T)	1		
5-17	307-17241-00	GEAR, 4th wheel (23T)	1		
5-18	132-17414-00	CLIP, main axle	3		
5-19	132-17216-00	WASHER, gear hold	3		
5-20	183-17251-00	GEAR, 5th wheel (21T)	1		
5-21	307-17211-00	GEAR, 1st wheel (35T)	1		
5-22	131-15653-00	WASHER, plain (15.3-22-1.0)	1		

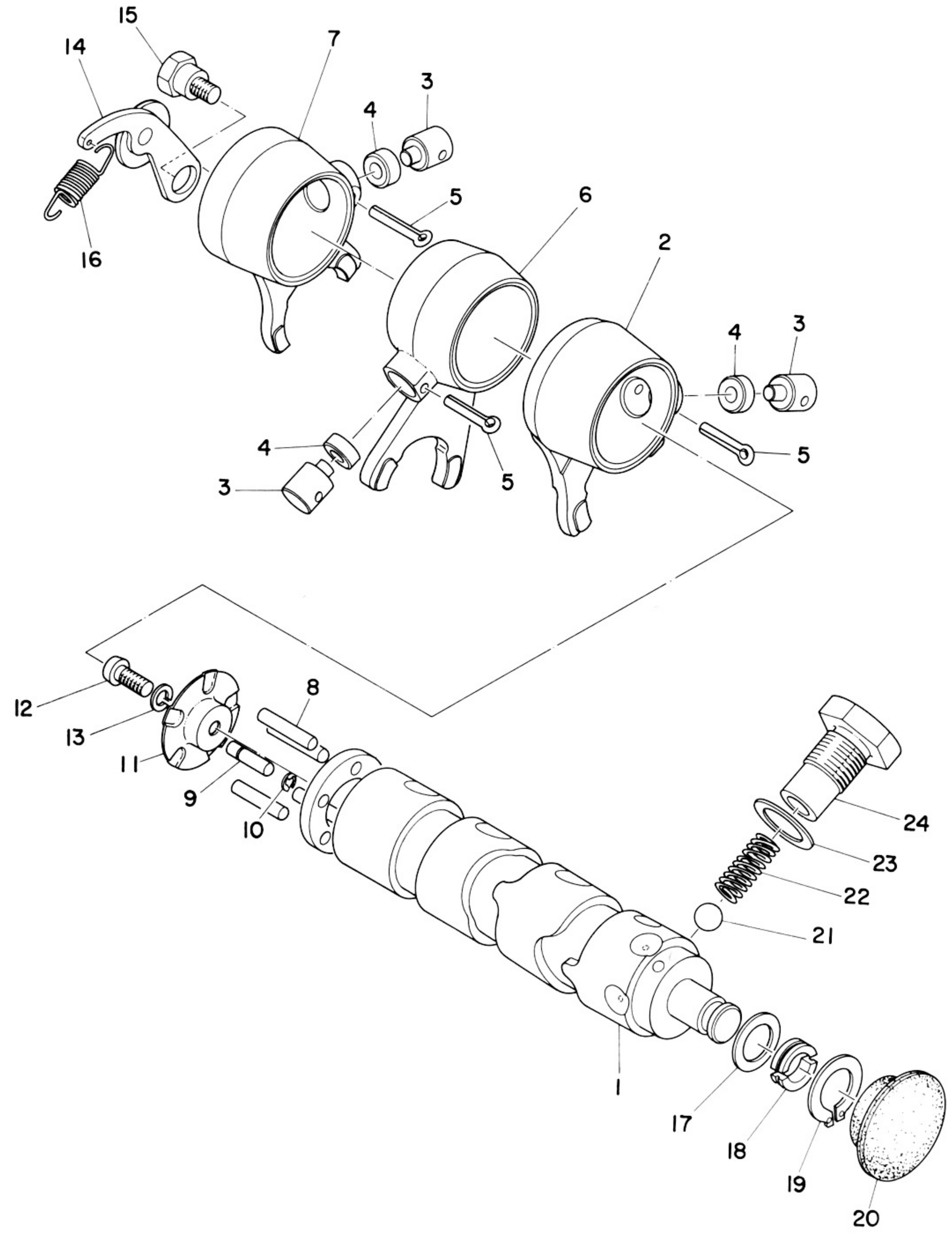
Fig. 5 TRANSMISSION



TRANSMISSION

Ref. No.	Part No.	Description	Q'ty	Applicable Machine No.	Remarks
5-23	131-15643-00	WASHER, wave	1		
5-24	183-15651-00	GEAR, kick idle (28T)	1		
5-25	164-17417-00	SHIM, drive axle (15.2-20-1.2) ...	1		
5-26	93410-15005	CIRCLIP (S-15)	1		
5-27	248-17429-00	SPACER (20-30-3)	1		
5-28	93306-30401	BEARING (6304)	1		
5-29	93102-28021	OIL SEAL (SD-28-44-7)	1		
5-30	102-17462-00	COLLAR, distance (20-28-15.1) ...	1		
5-31	174-17461-30	SPROCKET, drive (13T)	1		
	174-17461-40	SPROCKET, drive (14T)	1		STD
	174-17461-50	SPROCKET, drive (15T)	1		
	174-17461-60	SPROCKET, drive (16T)	1		
5-32	102-17463-00	NUT, sprocket	1		
5-33	102-17464-00	WASHER, sprocket	1		

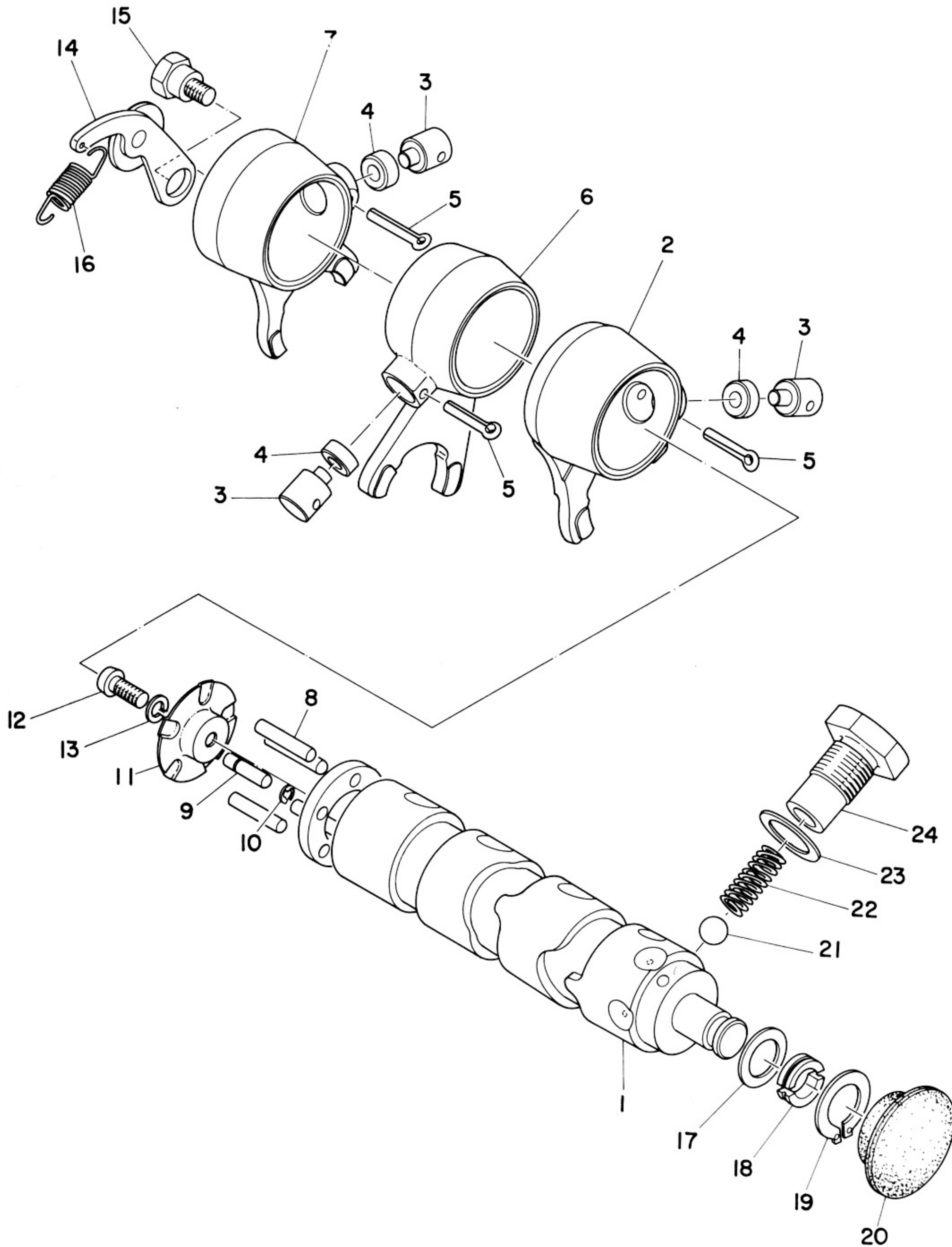
Fig. 6 SHIFTER A



SHIFTER A

Ref. No.	Part No.	Description	Q'ty	Applicable Machine No.	Remarks
6- 0-1	183-18500-01	SHIFTER ASS'Y	1		
6- 1	183-18541-01	. CAM, shift	1		
6- 2	183-18511-00	. FORK, shift 1	1		
6- 3	164-18552-00	. PIN, cam follower	3		
6- 4	164-18551-00	. ROLLER, cam follower	3		
6- 5	91401-25020	. PIN, cotter	3		
6- 6	185-18512-00	. FORK, shift 2	1		
6- 7	183-18513-00	. FORK, shift 3	1		
6- 8	93604-22050	. PIN, dowel (4-21.8)	4		
6- 9	174-18544-00	. PIN, locating	1		
6-10	93430-03014	. CIRCLIP (E-2.5)	1		
6-11	164-18561-00	. PLATE, side	1		
6-12	98501-05012	. SCREW, pan head	1		
6-13	92901-05100	. WASHER, spring	1		
6-14	132-18140-00	STOPPER LEVER ASS'Y	1		
6-15	132-18177-00	BOLT, stopper	1		
6-16	132-18143-00	SPRING, stopper	1		
6-17	164-18572-00	WASHER, plain (12.1-18-1.0)	1		
6-18	164-18571-00	HOLDER, shift cam	2		
6-19	93440-15012	CIRCLIP	1		
6-20	132-18533-01	PLUG, blind	1		
6-21	93505-16006	BALL (5/16 inch)	1		

Fig. 6 SHIFTER A

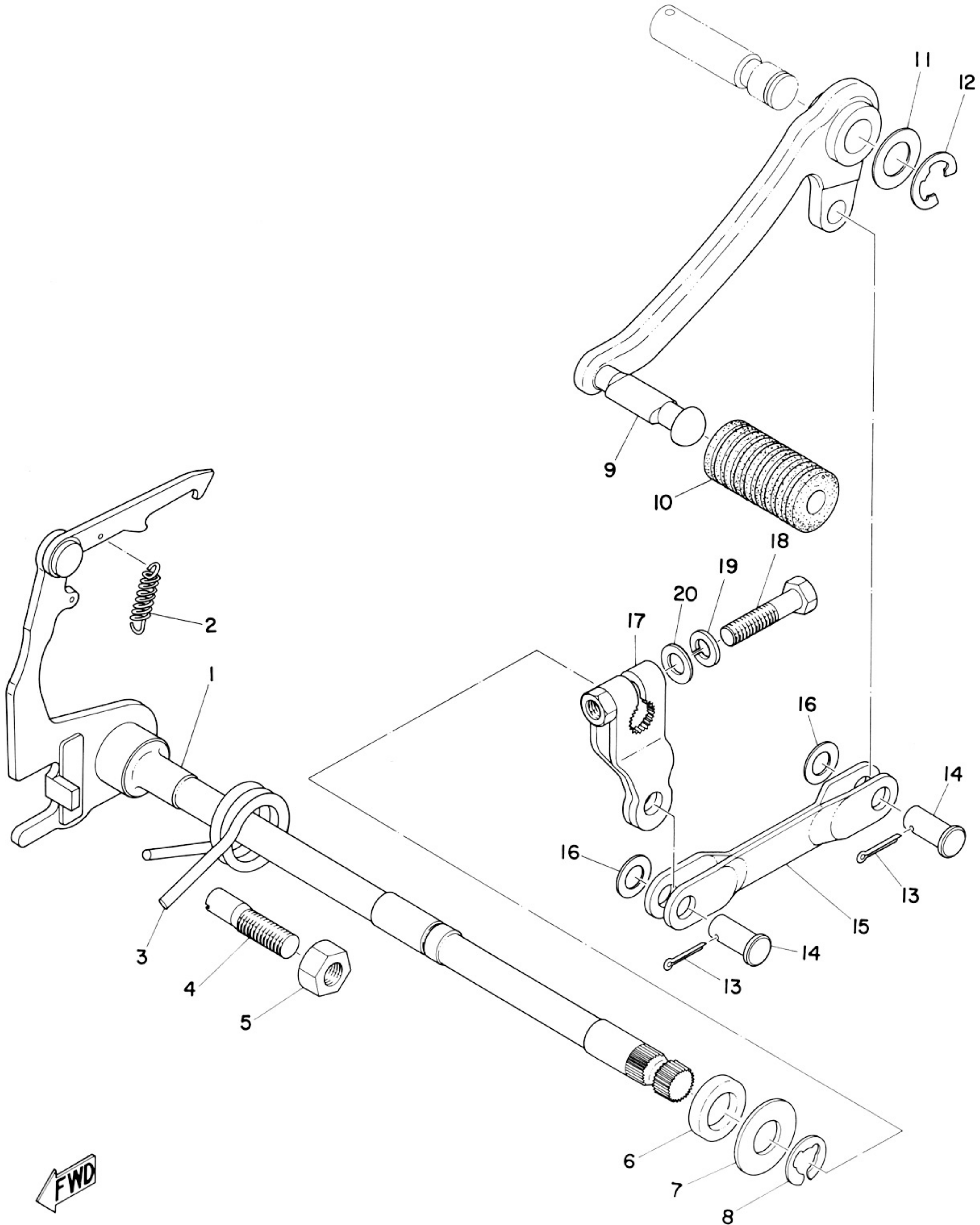


 FWD

SHIFTER A

Ref. No.	Part No.	Description	Q'ty	Applicable Machine No.	Remarks
6-22	174-18558-00	SPRING, neutral	1		
6-23	137-15353-00	GASKET (14.5-21-1.5)	1		
6-24	174-18578-00	SCREW, spring	1		

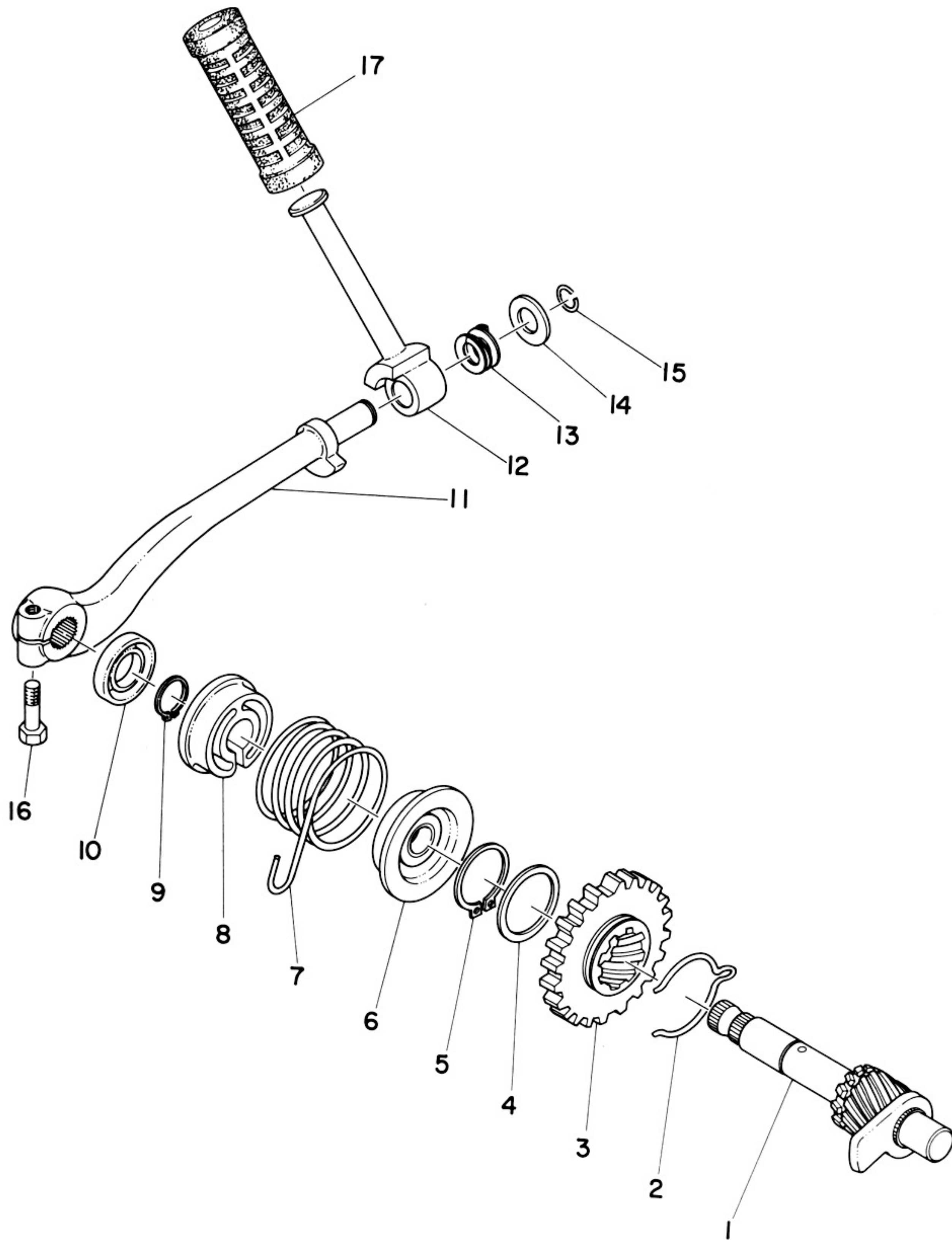
Fig. 7 SHIFTER B



SHIFTER B

Ref. No.	Part No.	Description	Q'ty	Applicable Machine No.	Remarks
7- 1	307-18101-00	CHANGE SHAFT ASS'Y	1		
7- 2	132-18123-00	. SPRING, shift arm	1		
7- 3	132-18124-00	SPRING, shaft return	1		
7- 4	132-18133-00	SCREW, adjusting	1		
7- 5	98800-08100	NUT	1		
7- 6	93101-12004	OIL SEAL (S-12-22-5)	1		
7- 7	132-18137-00	WASHER, change shaft (12.1-26-1.6) 1			
7- 8	93430-10016	CIRCLIP (E-10)	1		
7- 9	307-18111-00-93	PEDAL, change	1		
7-10	132-18113-01	COVER, change pedal	1		
7-11	183-22142-10	WASHER (12.5-22-1.6)	1		
7-12	93430-10016	CIRCLIP (E-10)	1		
7-13	91401-16012	PIN, cotter	2		
7-14	307-18118-00	PIN, joint	2		
7-15	307-18115-00-93	ROD, change	1		
7-16	141-18139-00	WASHER (8.2-14-1.0)	2		
7-17	307-18112-00-93	ARM, change	1		
7-18	91201-06030	BOLT	1		
7-19	92901-06100	WASHER, spring	1		
7-20	92901-06200	WASHER, plain	1		

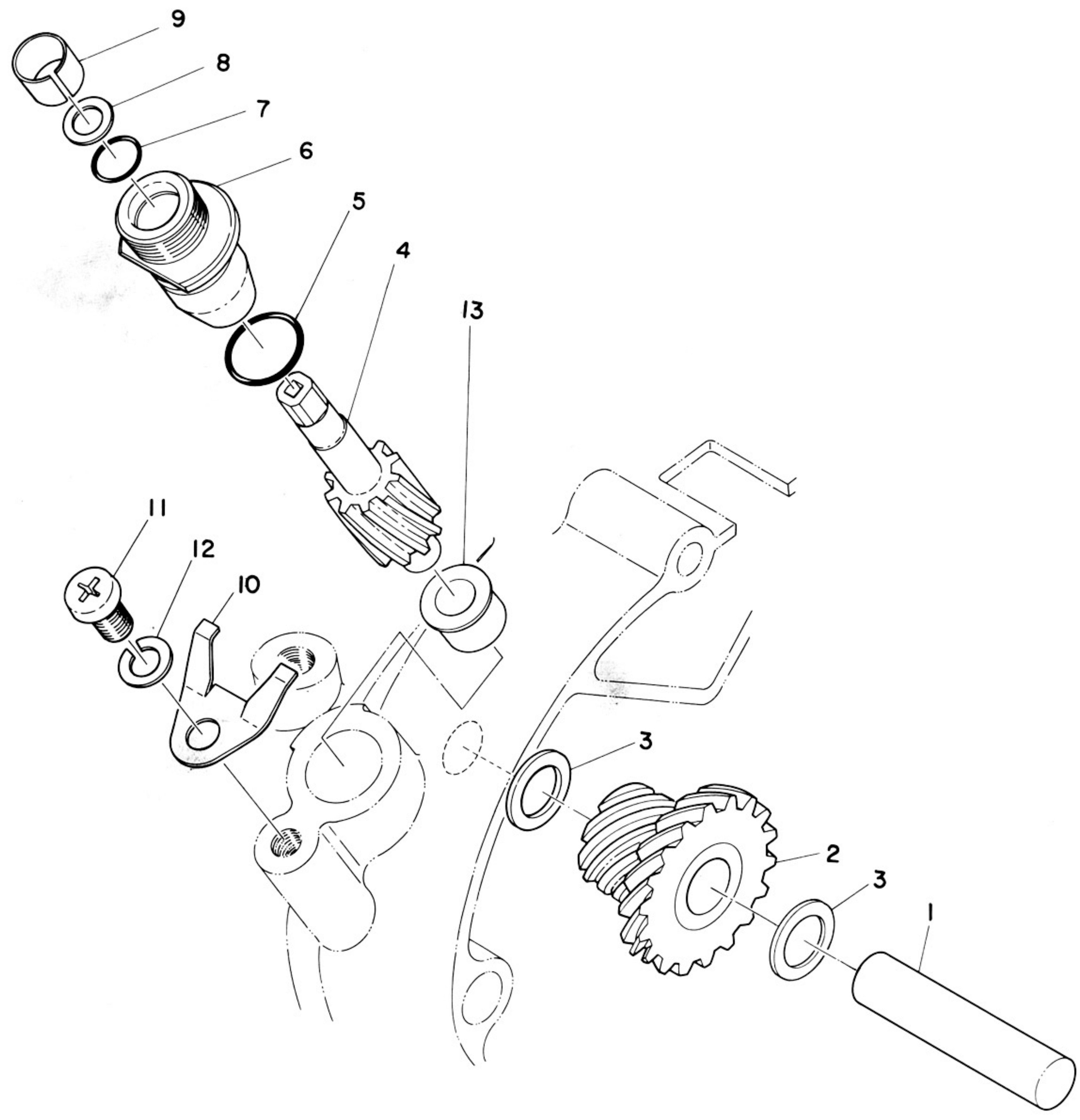
Fig. 8 STARTER



STARTER

Ref. No.	Part No.	Description	Q'ty	Applicable Machine No.	Remarks
8- 1	180-15660-00	KICK AXLE ASS'Y	1		
8- 2	180-15687-00	CLIP, kick gear	1		
8- 3	180-15641-00	GEAR, kick (28T)	1		
8- 4	117-15644-00	SHIM (25.1-32-1.0)	1		
8- 5	93410-25017	CIRCLIP (S-25)	1		
8- 6	132-15664-00	GUIDE, kick spring	1		
8- 7	132-15665-00	SPRING, kick	1		
8- 8	132-15676-00	COVER, kick spring	1		
8- 9	93410-15005	CIRCLIP (S-15)	1		
8-10	93109-15001	OIL SEAL (SDO-15-26-6)	1		
8- 0-1	307-15610-00-93	KICK CRANK ASS'Y	1		
8-11	307-15611-00	. CRANK, kick	1		Not for sale
8-12	122-15612-01	. LEVER, kick	1		
8-13	214-15625-00	. SPRING, kick crank	1		
8-14	132-15616-00	. WASHER, kick lever	1		
8-15	132-15617-00	. CLIP, kick lever	1		
8-16	91101-06020	BOLT	1		
8-17	156-15618-01	COVER, kick lever	1		

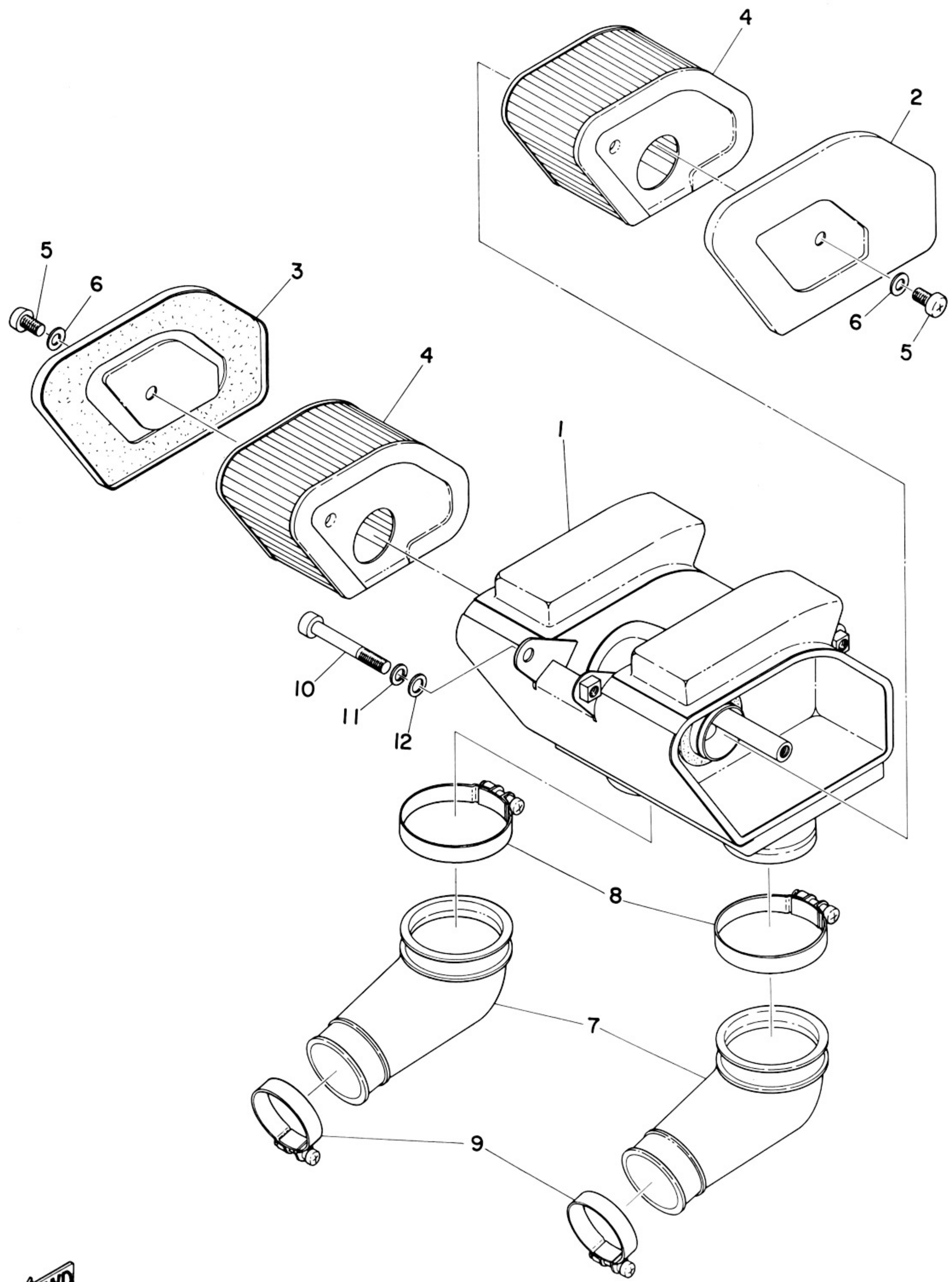
Fig. 9 TACHOMETER GEAR



TACHOMETER GEAR

Ref. No.	Part No.	Description	Q'ty	Applicable Machine No.	Remarks
9- 1	237-17861-00	AXLE, drive gear	1		
9- 2	248-17831-01	GEAR, drive	1		
9- 3	248-17837-00	SHIM (10.2-16-1.0)	2		
9- 4	248-17841-00	GEAR, driven	1		
9- 5	93210-13016	O-RING (1.8-13)	1		
9- 6	214-17811-01	HOUSING	1		
9- 7	93210-07100	O-RING (2.2-7.2)	1		
9- 8	214-17847-00	SHIM (7.5-10.8-0.4)	1		
9- 9	214-17815-00	BUSHING	1		
9-10	214-17812-00	STOPPER	1		
9-11	92501-06010	SCREW, pan head	1		
9-12	92901-06100	WASHER, spring	1		
9-13	214-17843-00	BUSHING	1		

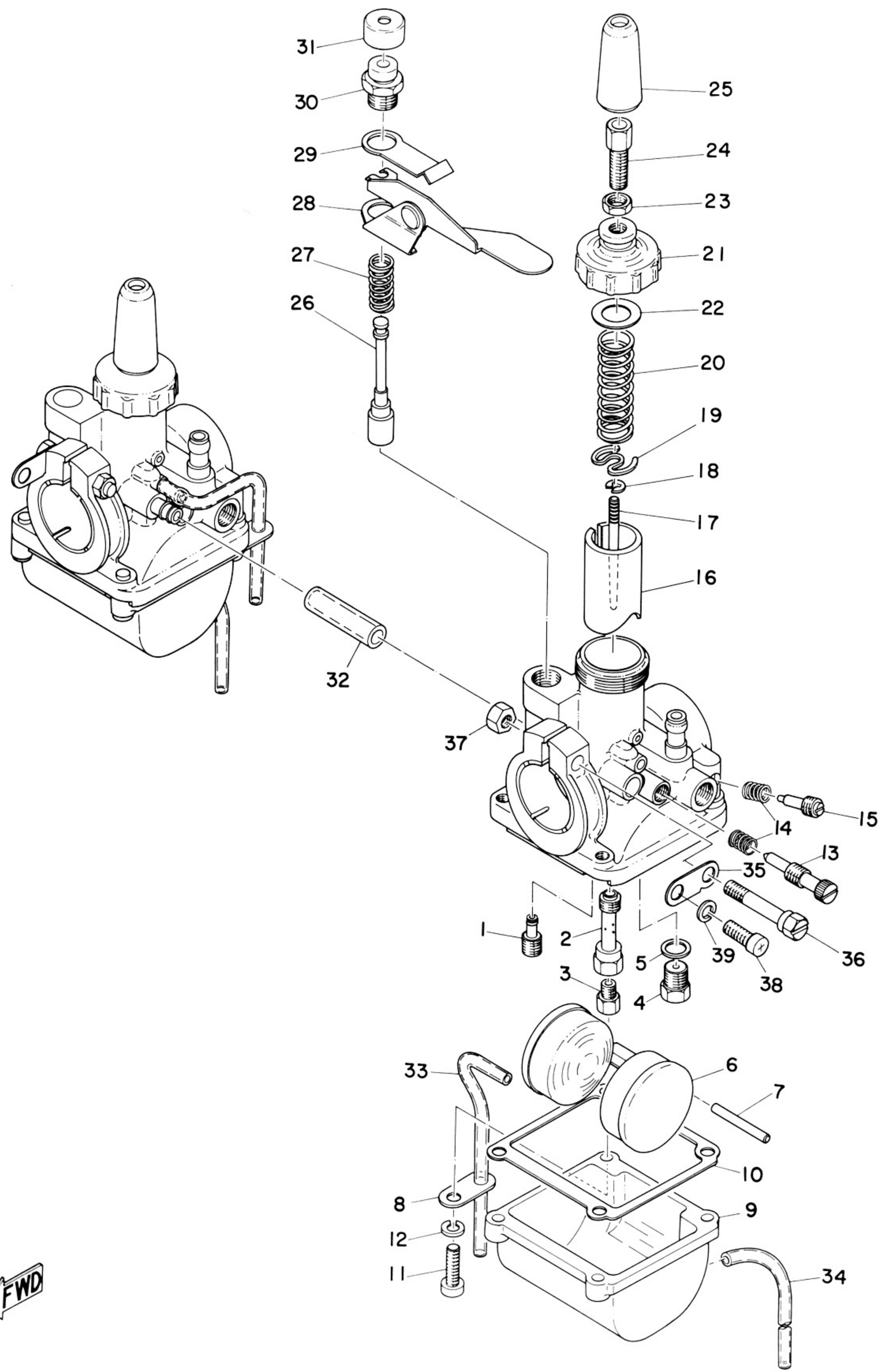
Fig. 10 INTAKE



INTAKE

Ref. No.	Part No.	Description	Q'ty	Applicable Machine No.	Remarks
10- 1	307-14411-00-33	CASE, air cleaner	1		
10- 2	307-14412-00-33	CAP, cleaner left	1		
10- 3	307-14422-00-33	CAP, cleaner right	1		
10- 4	307-14451-00	ELEMENT, air cleaner	2		
10- 5	92501-06010	SCREW, pan head	2		
10- 6	92901-06200	WASHER, plain	2		
10- 7	307-14453-00	JOINT, air cleaner	2		
10- 8	170-14455-00	BAND	2		
10- 9	217-14456-00	BAND	2		
10-10	92501-06045	SCREW, pan head	2		
10-11	92901-06100	WASHER, spring	2		
10-12	92901-06200	WASHER, plain	2		

Fig. 11 CARBURETOR

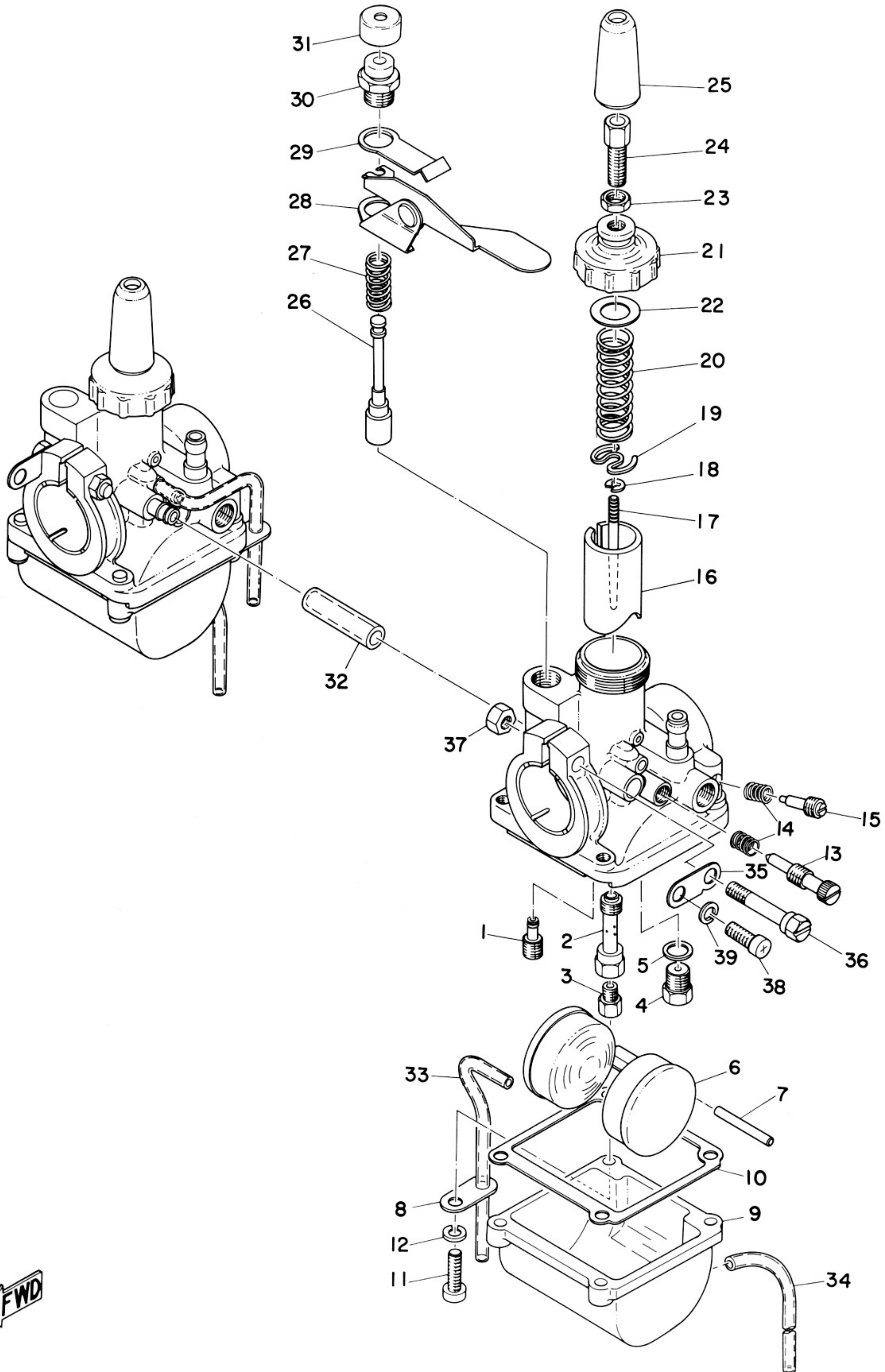


FWD

CARBURETOR

Ref. No.	Part No.	Description	Q'ty	Applicable Machine No.	Remarks
11- 0-1	307-14101-00	CARBURETOR ASS'Y, left	1		
11- 0-2	307-14102-00	CARBURETOR ASS'Y, right	1		
11- 1	193-14142-20	. JET, pilot (#20)	2		
11- 2	164-14141-30	. NOZZLE, main	2		
11- 3	137-14143-13	. JET, main (#65)	2		
	137-14143-14	. JET, main (#70)	2		STD
	137-14143-15	. JET, main (#75)	2		
	137-14143-16	. JET, main (#80)	2		
11- 4	127-14190-15	. VALVE SEAT ASS'Y (#1.5)	2		
11- 5	127-14195-00	. WASHER, valve seat	2		
11- 6	164-14185-00	. FLOAT	2		
11- 7	137-14186-00	. PIN, float	2		
11- 8	132-14146-00	. PLATE	2		
11- 9	174-14181-01	. BODY, float chamber	2		
11-10	164-14184-00	. GASKET, float chamber	2		
11-11	98501-04012	. SCREW, pan head	8		
11-12	92901-04100	. WASHER, spring	8		
11-13	174-14122-00	. SCREW, throttle	2		
11-14	174-14134-00	. SPRING, air adjusting	4		
11-15	174-14123-00	. SCREW, air adjusting	2		
11-16	183-14112-20	. VALVE, throttle left (C.A 2.0)	1		
	183-14113-20	. VALVE, throttle right (C.A 2.0)	1		
11-17	134-14116-12	. NEEDLE (3D12-3)	2		
11-18	164-14137-00	. CLIP	2		
11-19	174-14136-00	. SEAT, spring	2		

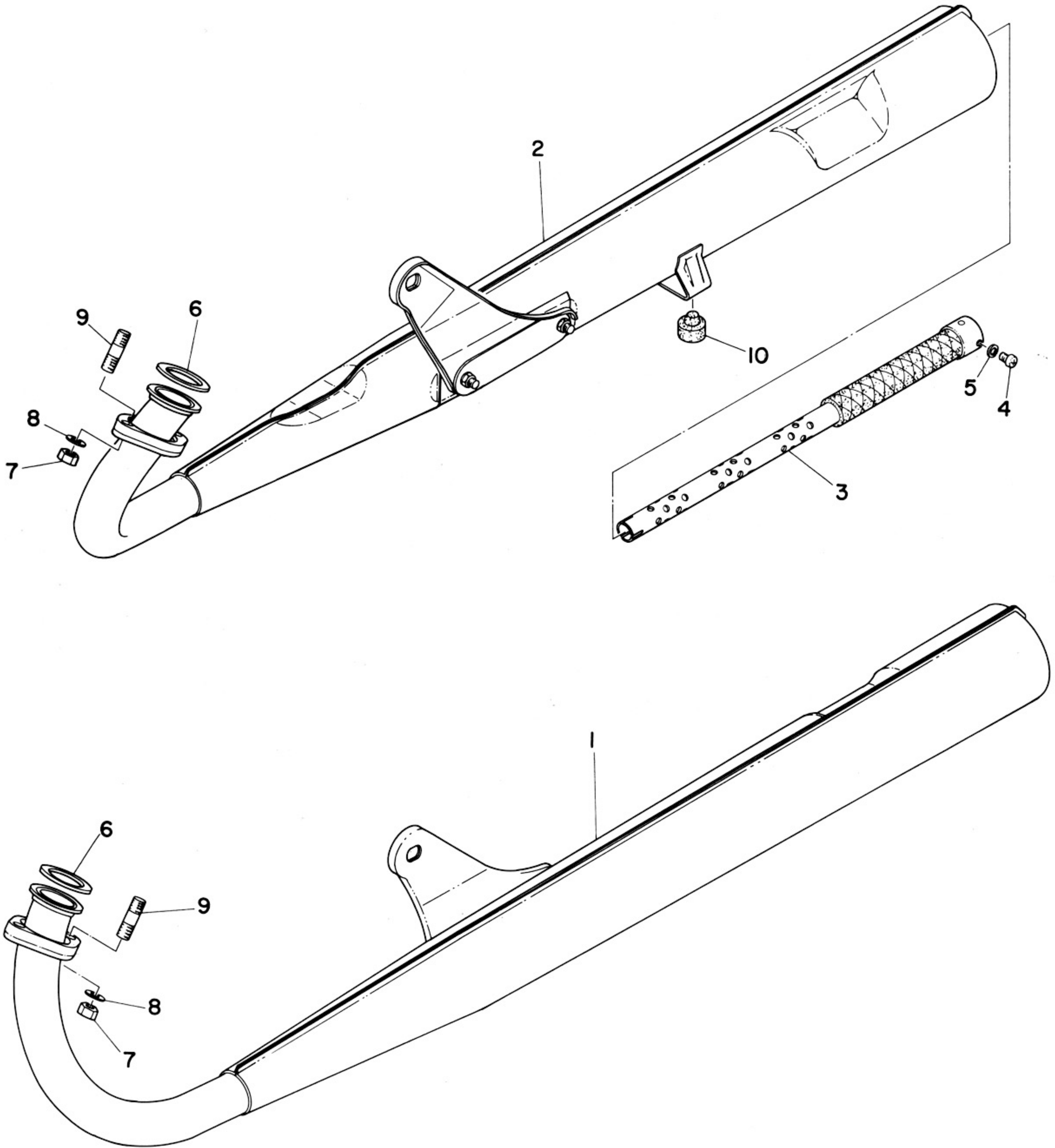
Fig. 11 CARBURETOR



CARBURETOR

Ref. No.	Part No.	Description	Q'ty	Applicable Machine No.	Remarks
11-20	174-14131-00	. SPRING, throttle valve	2		
11-21	174-14158-01	. TOP, mixing chamber	2		
11-22	183-14126-00	. PACKING	2		
11-23	127-14161-00	. NUT, wire adjusting	2		
11-24	127-14124-23	. SCREW, wire adjusting	2		
11-25	174-14169-01	. CAP	2		
11-26	174-14171-00	. PLUNGER, starter	1		
11-27	256-14135-00	. SPRING, plunger	1		
11-28	307-14175-00	. LEVER, starter	1		
11-29	174-14178-00	. PLATE, starter lever	1		
11-30	132-14174-00	. CAP, plunger	1		
11-31	132-14173-00	. COVER, plunger	1		
11-32	307-14149-00	. PIPE, joint (5-29.5)	1		
11-33	183-14196-00	. PIPE, over flow (3-160)	2		
11-34	183-14197-01	. PIPE, air vent (3-220)	2		
11-35	307-14247-00	. PLATE	2		
11-36	127-14125-01	. SCREW, body fitting	2		
11-37	98801-05100	. NUT	2		
11-38	92501-05012	SCREW, pan head	2		
11-39	92901-05100	WASHER, spring	2		

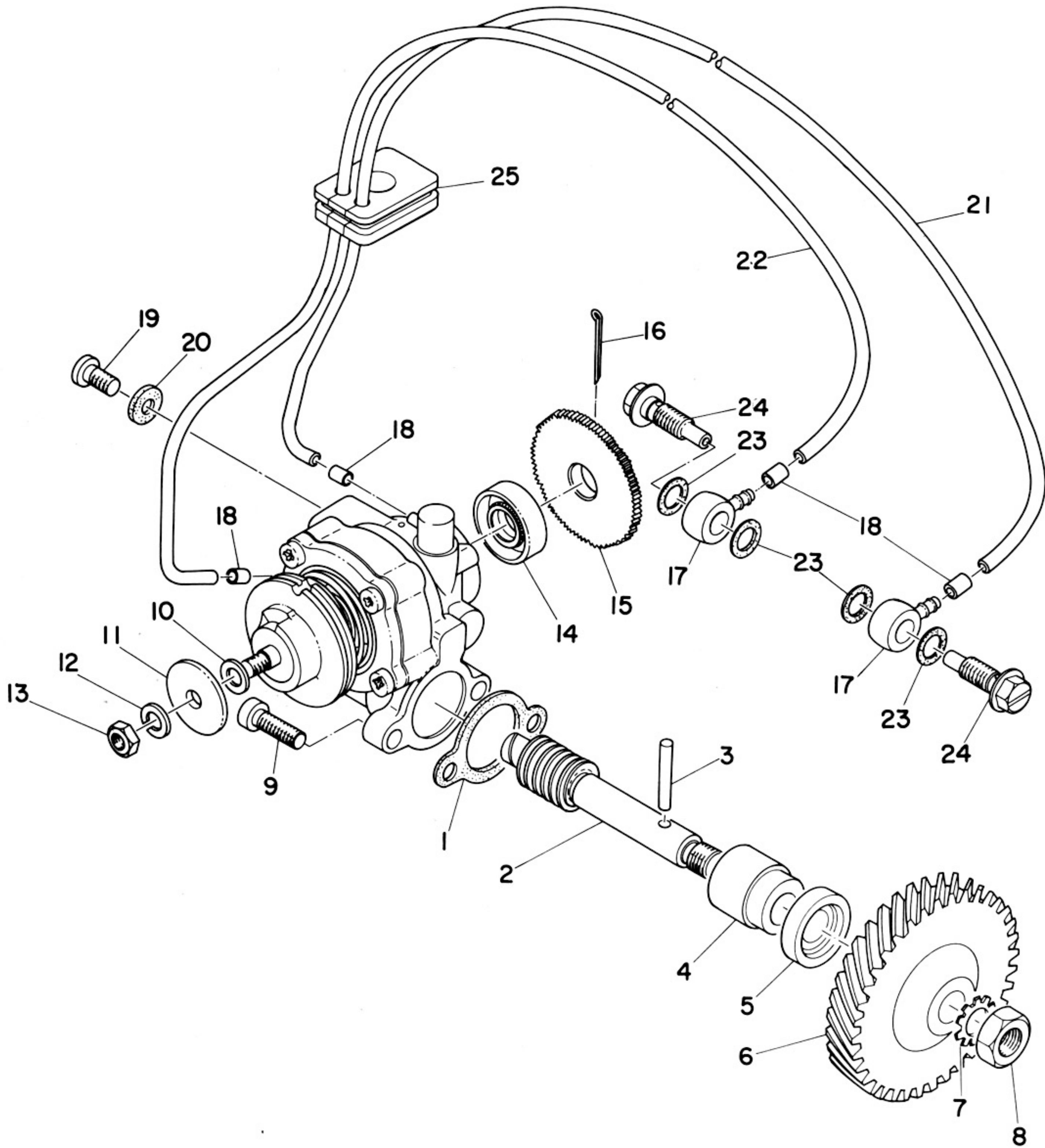
Fig. 12 EXHAUST



EXHAUST

Ref. No.	Part No.	Description	Q'ty	Applicable Machine No.	Remarks
12- 1	307-14610-60	EXHAUST PIPE ASS'Y, left	1		
12- 2	307-14620-60	EXHAUST PIPE ASS'Y, right	1		
12- 3	307-14753-60	. SILENSER	2		
12- 4	98501-05008	. SCREW, pan head	2		
12- 5	92901-05100	. WASHER, spring	2		
12- 6	132-14613-00	GASKET, exhaust pipe	2		
12- 7	98803-08100	NUT	4		
12- 8	92901-08100	WASHER, spring	4		
12- 9	246-14651-00	STUD	4		
12-10	102-27114-00	STOPPER, main stand	1		

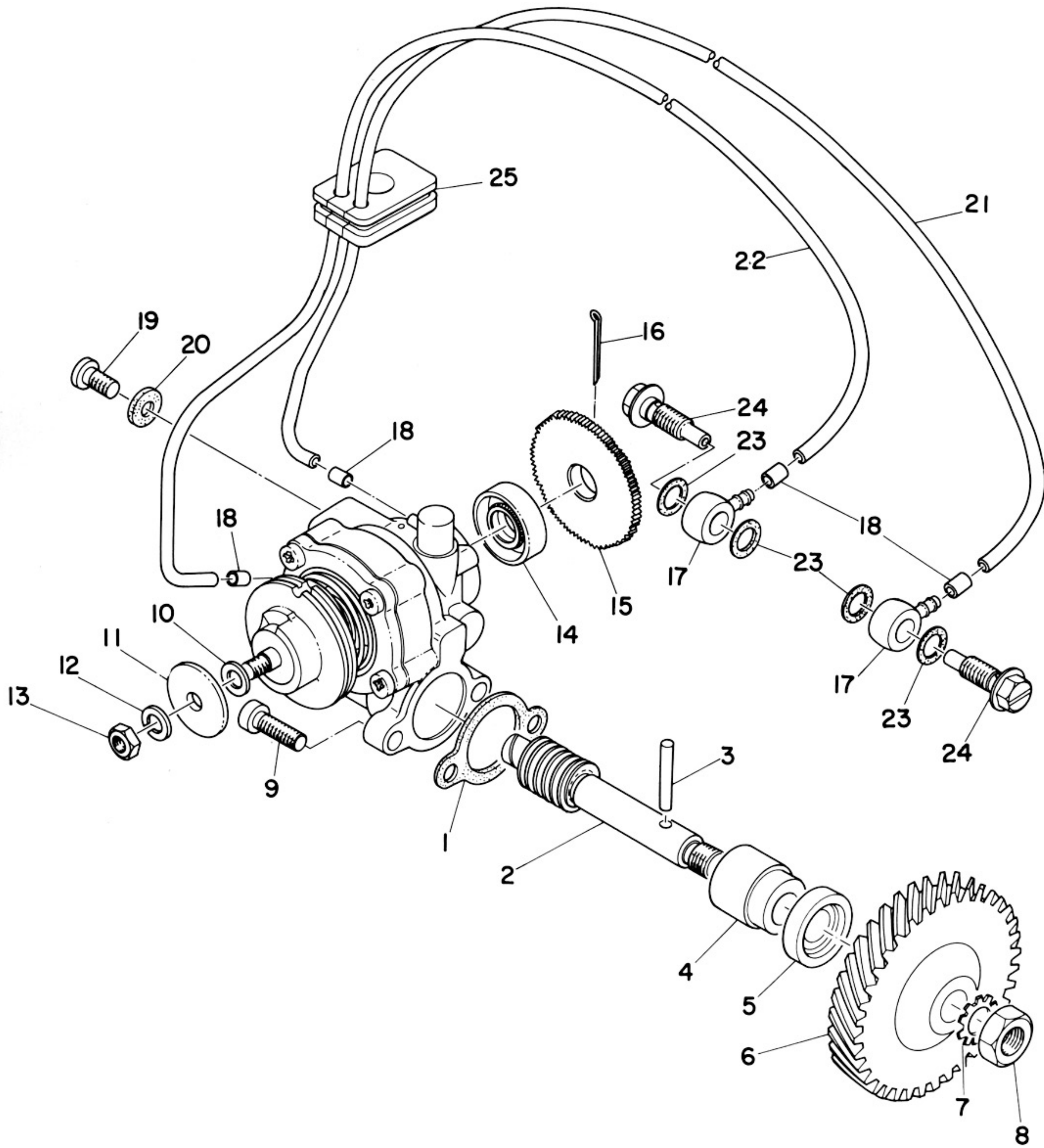
Fig. 13 OIL PUMP



OIL PUMP

Ref. No.	Part No.	Description	Q'ty	Applicable Machine No.	Remarks
13- 1	126-13116-00	GASKET, pump case	1		
13- 2	174-13175-00	SHAFT, worm	1		
13- 3	93603-22028	PIN, dowel (3-21.8)	1		
13- 4	137-13176-00	METAL, worm shaft outer	1		
13- 5	93101-10002	OIL SEAL (S-10-22-7)	1		
13- 6	132-13178-01	GEAR, drive (34T)	1		
13- 7	92901-08400	WASHER, tooth	1		
13- 8	98801-08300	NUT	1		
13- 9	98501-05015	SCREW, pan head	2		
13- 0-1	307-13101-00	OIL PUMP ASS'Y	1		
13-10	137-13147-00	. SHIM (5.8-10-0.1)	U.R		
13-11	137-13138-01	. PLATE, adjusting	1		
13-12	92901-05100	. WASHER, spring	1		
13-13	98801-05200	. NUT	1		
13-14	93101-10001	. OIL SEAL (S-10-21-5)	1		
13-15	137-13128-00	. PLATE, starter	1		
13-16	91401-12018	. PIN, cotter	1		
13-17	214-13162-00	. BANJO, delivery pipe	2		
13-18	214-13164-00	. CLIP, delivery pipe	4		
13-19	98901-04008	. SCREW, bind	1		
13-20	137-13187-00	. GASKET, breather (4.2-8.5-0.5) ..	1		
13-21	278-13161-00	. PIPE, delivery (3-420)	1		
13-22	214-13161-01	. PIPE, delivery (3-240)	1		
13-23	137-13167-00	GASKET, banjo bolt 1 (6-13-0.5) ...	4		

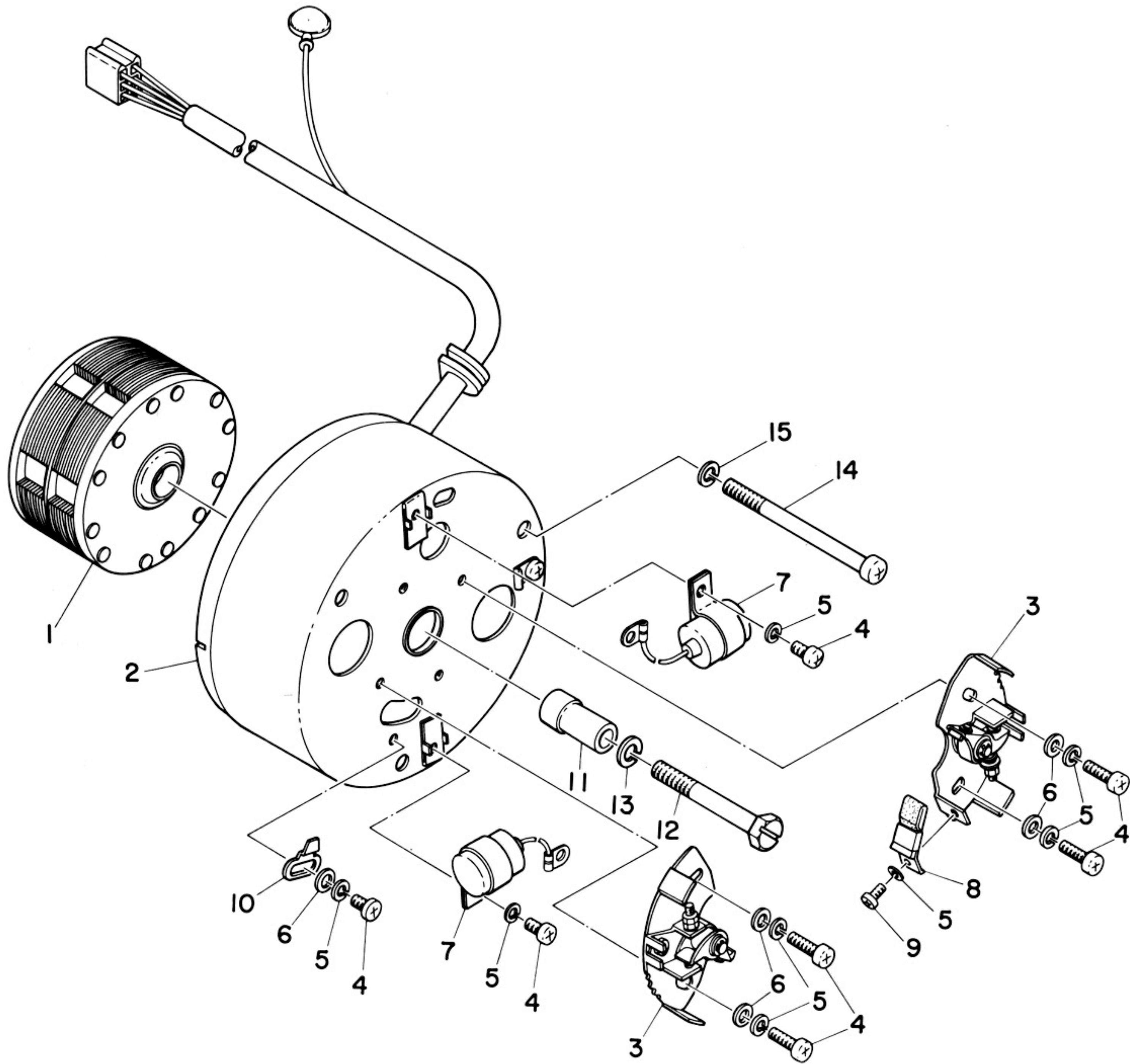
Fig. 13 OIL PUMP



OIL PUMP

Ref. No.	Part No.	Description	Q'ty	Applicable Machine No.	Remarks
13-24	132-13166-00	BOLT, banjo 2	2		
13-25	293-13174-00	HOLDER, oil pipe	1		

Fig. 14 A. C. MAGNETO GENERATOR



A. C. MAGNETO GENERATOR

Ref. No.	Part No.	Description	Q'ty	Applicable Machine No.	Remarks
14- 0-1	307-81400-10	A. C. MAGNET GENERATOR ASS'Y .	1		
14- 1	307-81450-10	. ROTOR ASS'Y	1		
14- 2	307-81410-10	. STATOR ASS'Y	1		
14- 3	183-81421-10	. . CONTACT BRAKER ASS'Y	2		
14- 4	165-81145-21	. . SCREW, pan head (4-8)	7		
14- 5	92901-04100	. . WASHER, spring	8		
14- 6	92901-04200	. . WASHER, plain	5		
14- 7	183-81425-10	. . CONDENSER	2		
14- 8	183-81431-10	. . LUBRICATOR	1		
14- 9	110-81345-20	. . SCREW, pan head (4-6)	1		
14-10	183-81432-10	. . PLATE, timing	1		
14-11	183-81451-12	. CAM	1		
14-12	307-81452-00	. BOLT	1		
14-13	92901-08100	. WASHER, spring	1		
14-14	92501-06075	. SCREW, pan head	3		
14-15	92901-06100	. WASHER, spring	3		





CHASSIS

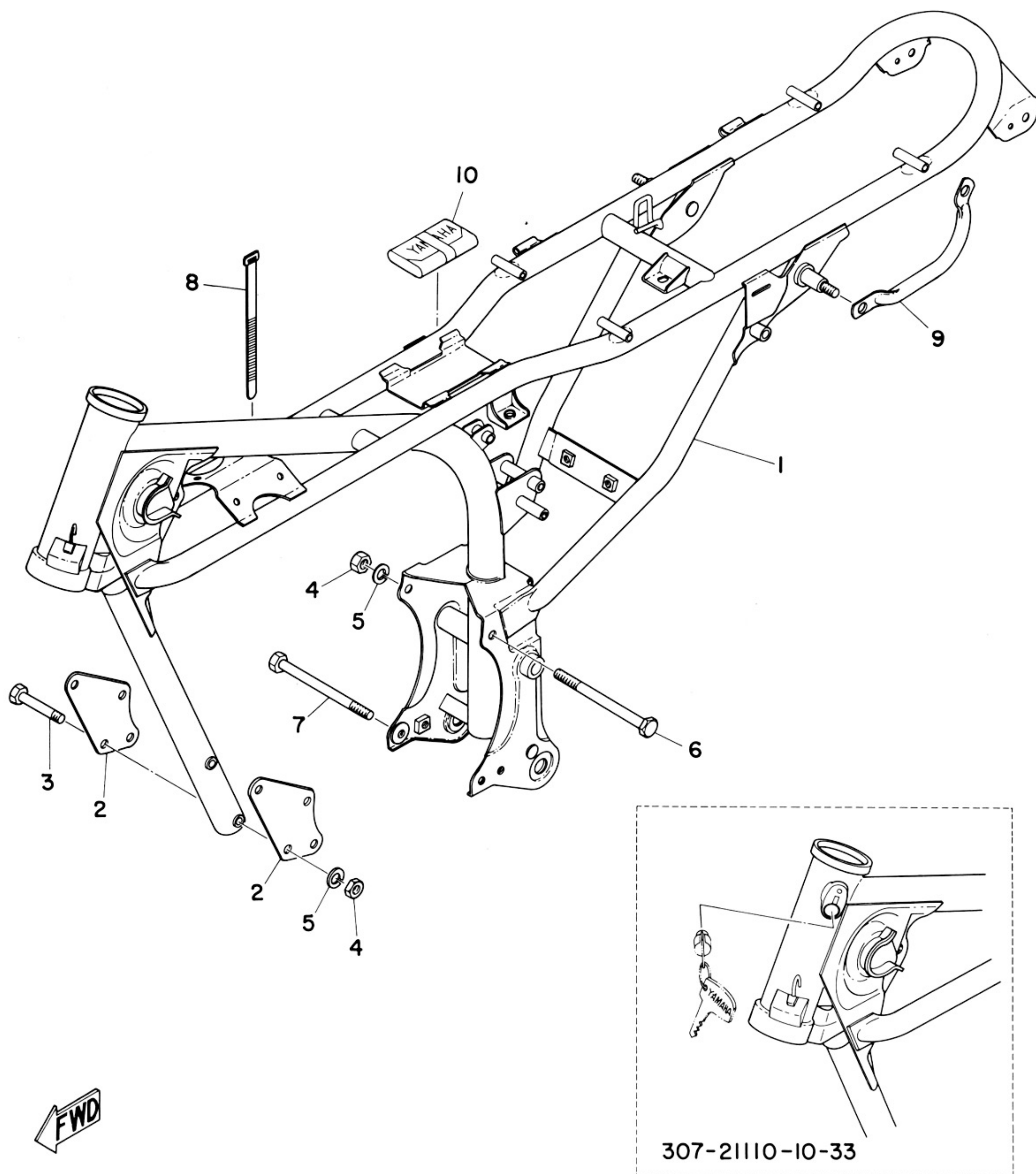






第 51 折

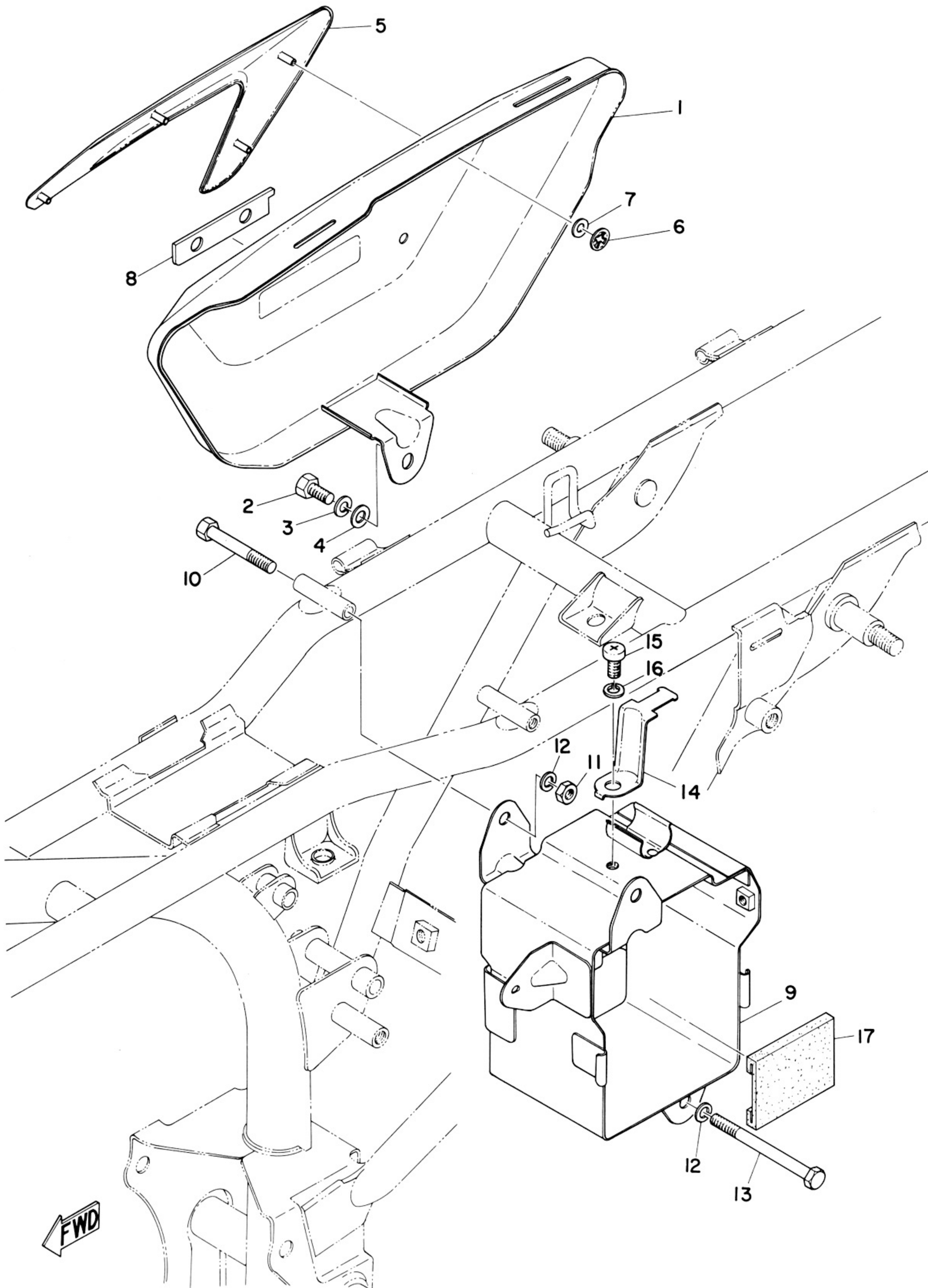
Fig. 15 FRAME



FRAME

Ref. No.	Part No.	Description	Q'ty	Applicable Machine No.	Remarks
15- 1	307-21110-00-33	FRAME COMP.	1		
	307-21110-10-33	FRAME COMP.	1		Destined for W. Germany
15- 2	307-21315-00-33	STAY, engine front	2		
15- 3	97101-08050	BOLT	4		
15- 4	98801-08100	NUT	5		
15- 5	92901-08100	WASHER, spring	5		
15- 6	97101-08110	BOLT	1		
15- 7	116-21483-00	BOLT, engine mounting (8-130)	1		
15- 8	803-82591-00	BAND	1		
15- 9	307-21165-00-33	HANDLE, standing	1		
15-10	183-28100-01	TOOL ASS'Y	1		

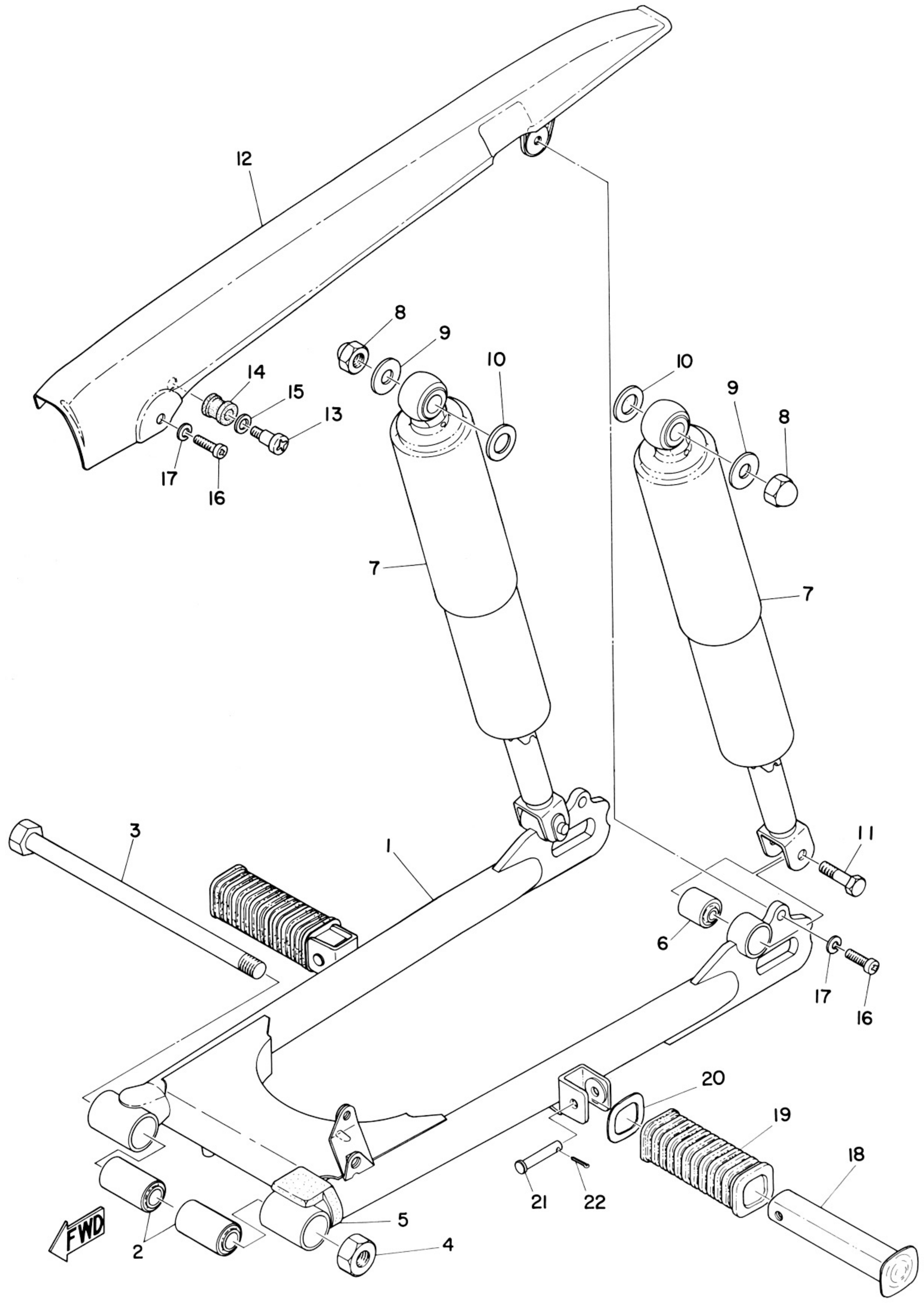
Fig. 16 SIDE COVER · BOX



SIDE COVER · BOX

Ref. No.	Part No.	Description	Q'ty	Applicable Machine No.	Remarks
16- 1	307-21711-00-63	COVER, side	1		Brilliant Red
	307-21711-00-71	COVER, side	1		Mandarin Orange
16- 2	91201-06012	BOLT	1		
16- 3	92901-06100	WASHER, spring	1		
16- 4	92901-06200	WASHER, plain	1		
16- 5	307-21782-00	MOLD, side cover	1		
16- 6	116-28317-01	NUT	4		
16- 7	174-28316-00	DAMPER, emblem	4		
16- 8	307-21786-00-63	EMBLEM 125	1		Brilliant Red
	307-21786-00-71	EMBLEM 125	1		Mandarin Orange
16- 9	307-21170-00-33	BOX COMP.	1		
16-10	91201-06045	BOLT	2		
16-11	98801-06100	NUT	2		
16-12	92901-06100	WASHER, spring	3		
16-13	91201-06070	BOLT	1		
16-14	307-21175-00	BRACKET, flasher relay	1		
16-15	92501-06012	SCREW, pan head	1		
16-16	92901-06100	WASHER, spring	1		
16-17	307-82121-00	PAD, battery	1		

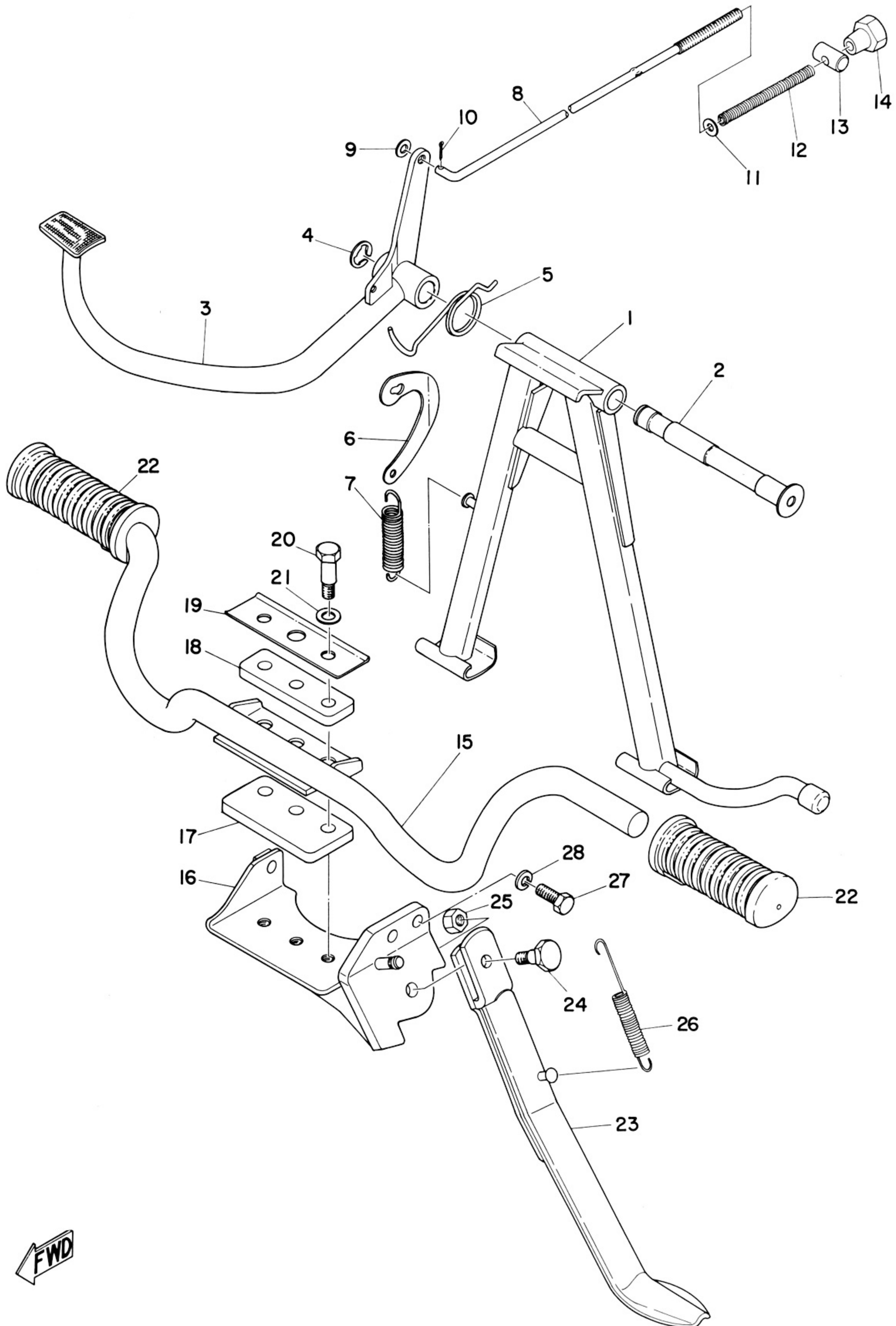
Fig. 17 REAR ARM · REAR CUSHION · CHAIN CASE



REAR ARM · REAR CUSHION · CHAIN CASE

Ref. No.	Part No.	Description	Q'ty	Applicable Machine No.	Remarks
17- 1	307-22110-00-33	REAR ARM COMP.	1		
17- 2	307-22123-00	BUSHING, rear arm	2		
17- 3	234-22141-00	SHAFT, pivot	1		
17- 4	183-25182-00	NUT	1		
17- 5	173-22151-00	SEAL, guard	1		
17- 6	164-22216-00	BUSHING, rear cushion	2		
17- 7	307-22210-00-63	REAR CUSHION ASS'Y	2		Brilliant Red
	307-22210-00-71	REAR CUSHION ASS'Y	2		Mandarin Orange
17- 8	92803-10700	NUT, crown	2		
17- 9	102-22243-00	WASHER, rear cushion	2		
17-10	135-22243-00	WASHER, rear chshion (14.8-27-2) .	2		
17-11	164-22241-00	BOLT (8-29)	2		
17-12	307-22311-00-93	CHAIN CASE, half	1		
17-13	183-22331-01	SCREW, chain case fitting	1		
17-14	183-22332-01	DAMPER, chain case	1		
17-15	183-22316-01	WASHER, chain case	1		
17-16	92501-06012	SCREW, pan head	2		
17-17	92901-06100	WASHER, spring	2		
17-18	307-27431-00	FOOTREST, rear	2		
17-19	307-27433-00	COVER, rear footrest	2		
17-20	307-27437-00	WASHER, special	2		
17-21	91501-06035	PIN, clevis	2		
17-22	91401-16012	PIN, cotter	2		

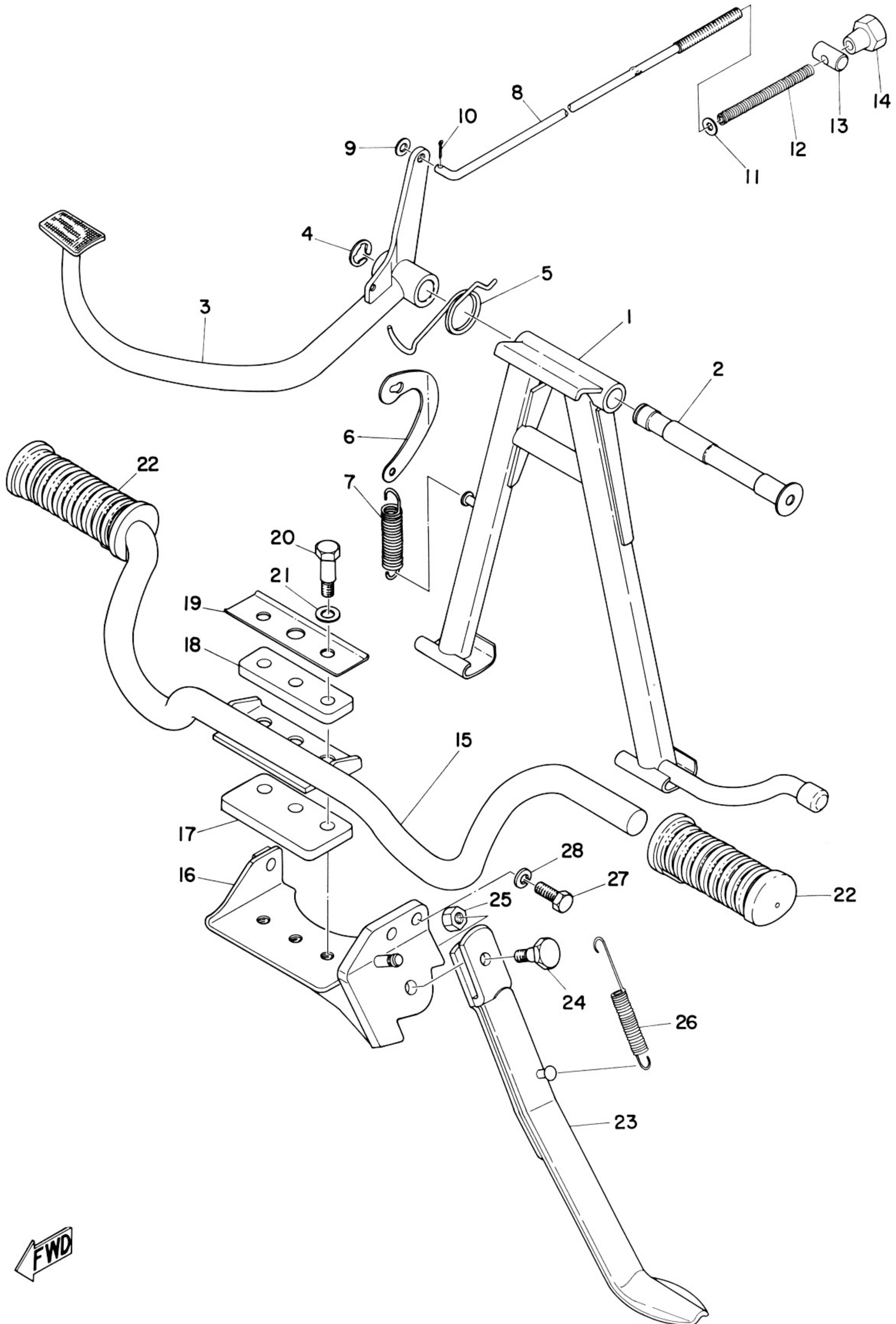
Fig. 18 STAND · FOOT REST · BRAKE PEDAL



STAND · FOOT REST · BRAKE PEDAL

Ref. No.	Part No.	Description	Q'ty	Applicable Machine No.	Remarks
18- 1	307-27111-00	STAND, main	1		
18- 2	122-27112-00	SHAFT, main stand	1		
18- 3	307-27211-00-93	PEDAL, brake	1		
18- 4	93430-12008	CIRCLIP (E-12)	1		
18- 5	183-27216-00	SPRING, return	1		
18- 6	307-27115-00	LINK	1		
18- 7	122-27116-00	SPRING, main stand	1		
18- 8	307-27231-00	ROD, brake	1		
18- 9	92901-06200	WASHER, plain	1		
18-10	91401-20012	PIN, cotter	1		
18-11	92901-06200	WASHER, plain	1		
18-12	180-27236-00	SPRING, rod	1		
18-13	156-27237-00	PIN, clevis	1		
18-14	206-27238-00	NUT, adjusting	1		
18-15	307-27411-00	FOOTREST	1		
18-16	307-27412-00	BRACKET, footrest	1		
18-17	132-27422-00	DAMPER, rubber 2	1		
18-18	132-27414-00	DAMPER, rubber 1	1		
18-19	132-27417-00	WASHER, special	1		
18-20	132-27416-00	BOLT, footrest	3		
18-21	92901-10200	WASHER, plain	3		
18-22	307-27413-00	COVER, footrest	2		
18-23	307-27311-00	STAND, side	1		
18-24	122-27317-01	BOLT, side stand	1		

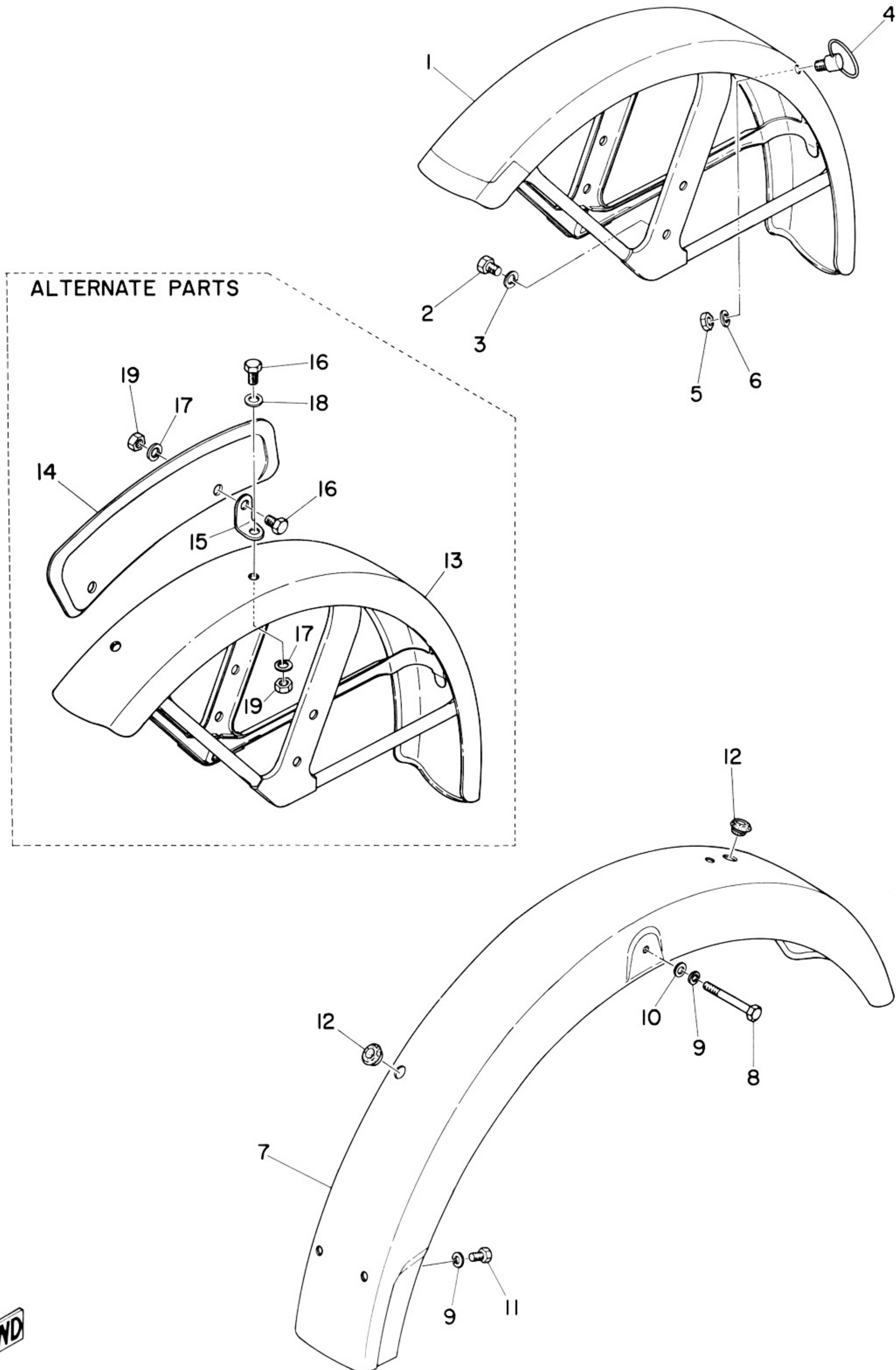
Fig. 18 STAND · FOOT REST · BRAKE PEDAL



STAND · FOOT REST · BRAKE PEDAL

Ref. No.	Part No.	Description	Q'ty	Applicable Machine No.	Remarks
18-25	98801-08300	NUT	1		
18-26	150-27316-00	SPRING	1		
18-27	97201-08020	BOLT	1		
18-28	92901-08100	WASHER, spring	1		

Fig. 19 FRONT FENDER · REAR FENDER



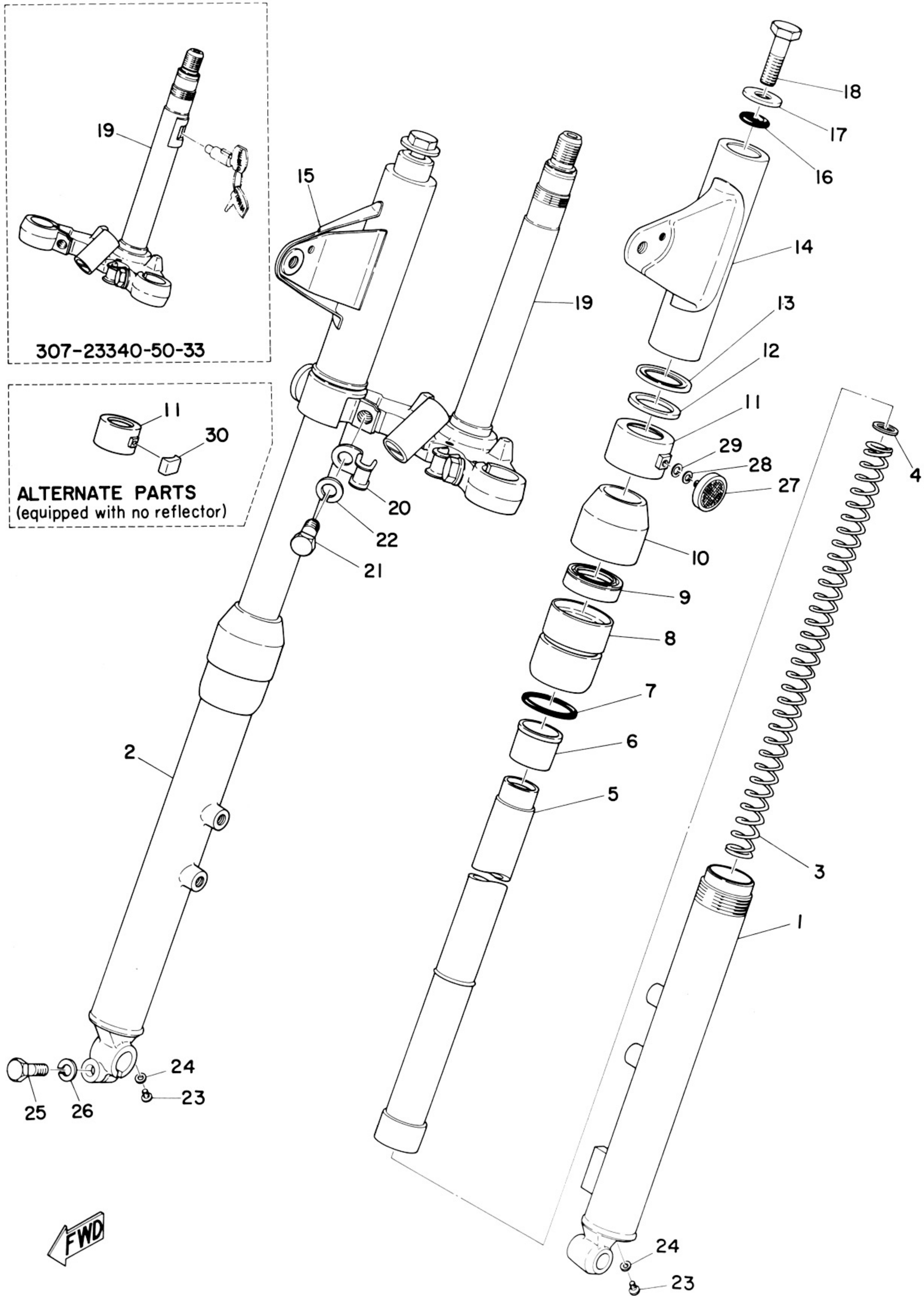
FRONT FENDER · REAR FENDER

Ref. No.	Part No.	Description	Q'ty	Applicable Machine No.	Remarks
19- 1	307-21510-00-93	FRONT FENDER COMP.	1		
19- 2	97201-08010	BOLT	4		
19- 3	92901-08100	WASHER, spring	4		
19- 4	174-21518-00-93	HOLDER, wire	1		
19- 5	98801-06100	NUT	1		
19- 6	92901-06100	WASHER, spring	1		
19- 7	307-21610-00-93	REAR FENDER COMP.	1		
	307-21610-30-93	REAR FENDER COMP.	1		Destined for England
19- 8	91101-06050	BOLT	2		
19- 9	92901-06100	WASHER, spring	4		
19-10	92901-06200	WASHER, plain	2		
19-11	91201-06012	BOLT	2		
19-12	152-84518-00	GROMMET, tail lamp	2		

ALTERNATE PARTS

19-13	307-21510-80-93	FRONT FENDER COMP.	1		
19-14	122-21582-81	PLATE, license	1		
19-15	173-21581-80-93	PLATE, fitting	2		
19-16	91203-06012	BOLT	4		
19-17	92901-06100	WASHER, spring	4		
19-18	92903-06200	WASHER, plain	2		
19-19	92803-06100	NUT	4		

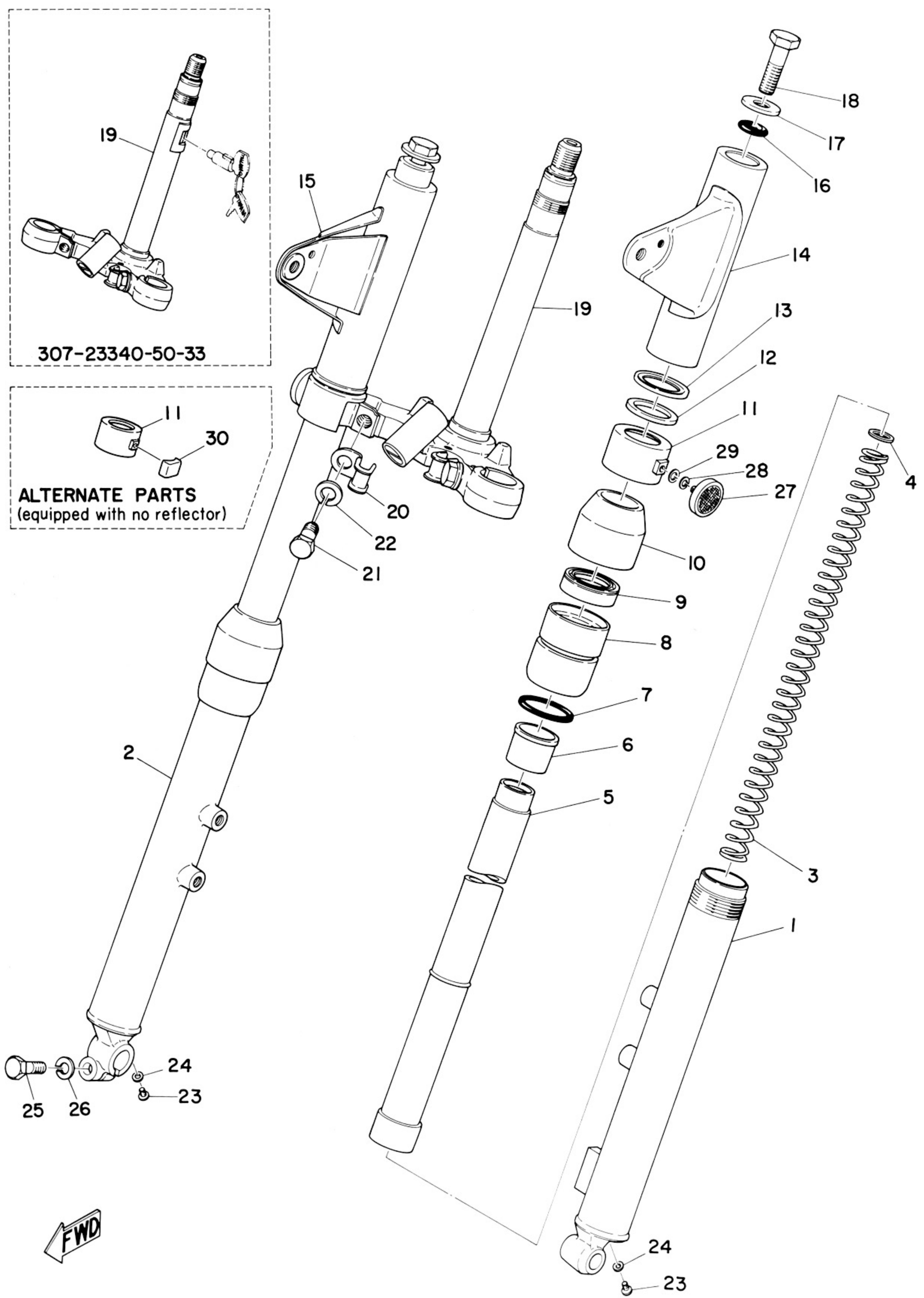
Fig. 20 FRONT FORK



FRONT FORK

Ref. No.	Part No.	Description	Q'ty	Applicable Machine No.	Remarks
20- 0-1	307-23100-00-01	FRONT FORK ASS'Y	1		Mandarin Orange
	307-23100-50-01	FRONT FORK ASS'Y (Destined for Germany) .	1		Mandarin Orange
	307-23100-00-56	FRONT FORK ASS'Y	1		Brilliant Red
	307-23100-50-56	FRONT FORK ASS'Y (Destined for Germany) .	1		Brilliant Red
20- 1	307-23126-00-35	. TUBE, outer left	1		Silver
20- 2	307-23136-00-35	. TUBE, outer right	1		Silver
20- 3	307-23141-00	. SPRING	2		
20- 4	252-23149-00	. WASHER, spring upper	2		
20- 5	252-23124-00	. TUBE, inner	2		
20- 6	164-23125-00	. METAL, slide	2		
20- 7	164-23147-00	. O-RING	2		
20- 8	307-23150-00	. OUTER NUT COMP.	2		
20- 9	307-23145-00	. . OIL SEAL	2		
20-10	252-23144-00	. SEAL, dust	2		
20-11	307-23122-00-93	. COVER, outer	2		
20-12	164-23163-00	. PACKING	2		
20-13	252-23116-00	. COVER, under	2		
20-14	252-23121-00-63	. COVER, upper left	1		Brilliant Red
	252-23121-00-71	. COVER, upper left	1		Mandarin Orange
20-15	252-23131-00-63	. COVER, upper right	1		Brilliant Red
	252-23131-00-71	. COVER, upper right	1		Mandarin Orange
20-16	122-23114-00	. PACKING (O-RING)	2		
20-17	183-23112-00	. WASHER, cap	2		
20-18	183-23111-00	. BOLT, cap	2		

Fig. 20 FRONT FORK



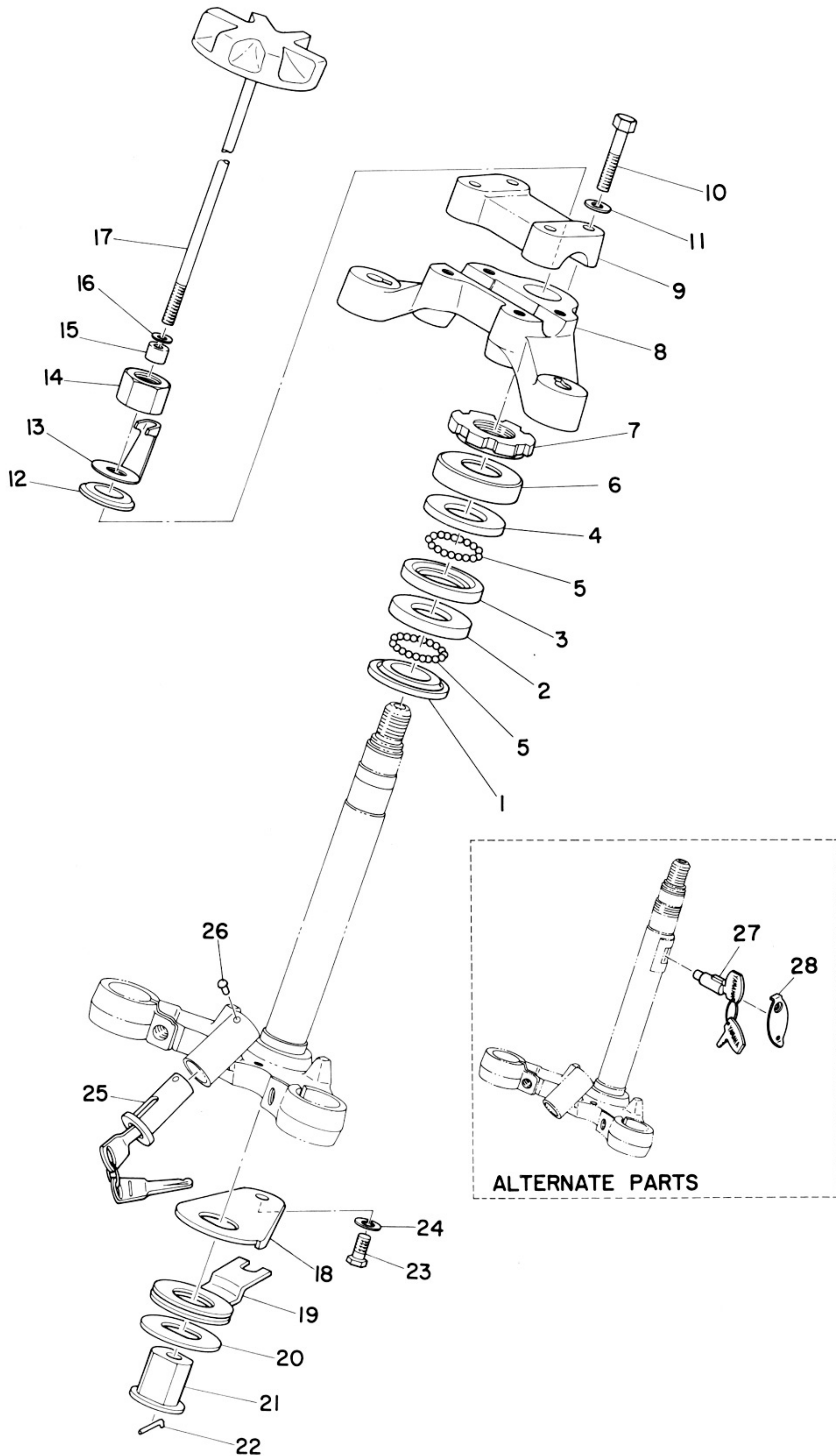
FRONT FORK

Ref. No.	Part No.	Description	Q'ty	Applicable Machine No.	Remarks
20-19	307-23340-00-33	. UNDER BRACKET COMP.	1		
	307-23340-50-33	. UNDER BRACKET COMP.	1		Destined for W. Germany
20-20	183-23318-00	. HOLDER, wire	2		
20-21	122-23346-00	. BOLT, under bracket	2		
20-22	92901-10100	. WASHER, spring	2		
20-23	122-23119-01	. PLUG, drain	2		
20-24	122-23129-00	. GASKET, drain plug	2		
20-25	97201-08025	. BOLT	1		
20-26	92901-08100	. WASHER, spring	1		
20-27	256-85111-10	REFLECTOR	2		
20-28	92901-05100	WASHER, spring	2		
20-29	92901-05200	WASHER, plain	2		

ALTERNATE PARTS

20-30	256-83329-00	PLUG, blind	2		
-------	--------------	-------------------	---	--	--

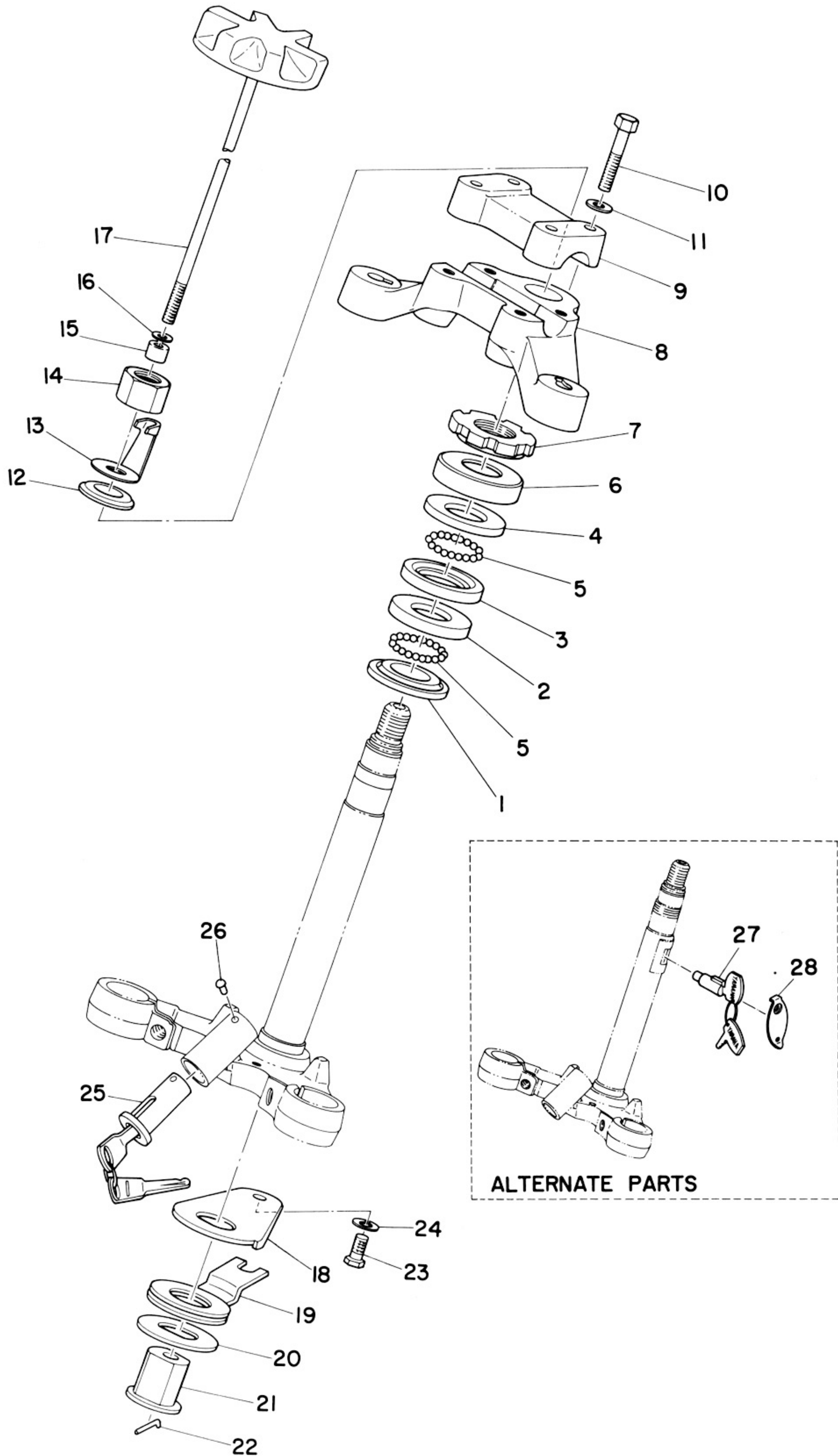
Fig. 21 STEERING



STEERING

Ref. No.	Part No.	Description	Q'ty	Applicable Machine No.	Remarks
21- 1	156-23411-00	RACE, ball 1	1		
21- 2	156-23412-00	RACE, ball 2	1		
21- 3	183-23412-00	RACE, ball 2	1		
21- 4	183-23411-00	RACE, ball 1	1		
21- 5	93501-04011	BALL (1/4 inch)	38		
21- 6	136-23415-00	COVER, ball race	1		
21- 7	137-23454-00	NUT, fitting	1		
21- 8	307-23435-00-98	CROWN, handle	1		
21- 9	164-23441-00	HOLDER, handle upper	1		
21-10	97204-08035	BOLT	4		
21-11	92901-08100	WASHER, spring	4		
21-12	174-23443-00	WASHER, crown	1		
21-13	246-23428-00	SPRING, damper	1		
21-14	98803-16200	NUT	1		
21-15	141-23427-00	WASHER (6-18-3)	1		
21-16	156-23418-00	WASHER, special (6.5-18-0.6) ...	1		
21-17	183-23419-00	SHAFT, damper	1		
21-18	174-23421-00	PLATE, damper 1	1		
21-19	183-23422-00	PLATE, damper 2	1		
21-20	174-23425-00	DAMPER, friction	1		
21-21	174-23453-00	NUT, fitting	1		
21-22	156-83525-00	CLIP	1		
21-23	91101-06010	BOLT	1		
21-24	92901-06100	WASHER, spring	1		

Fig. 21 STEERING



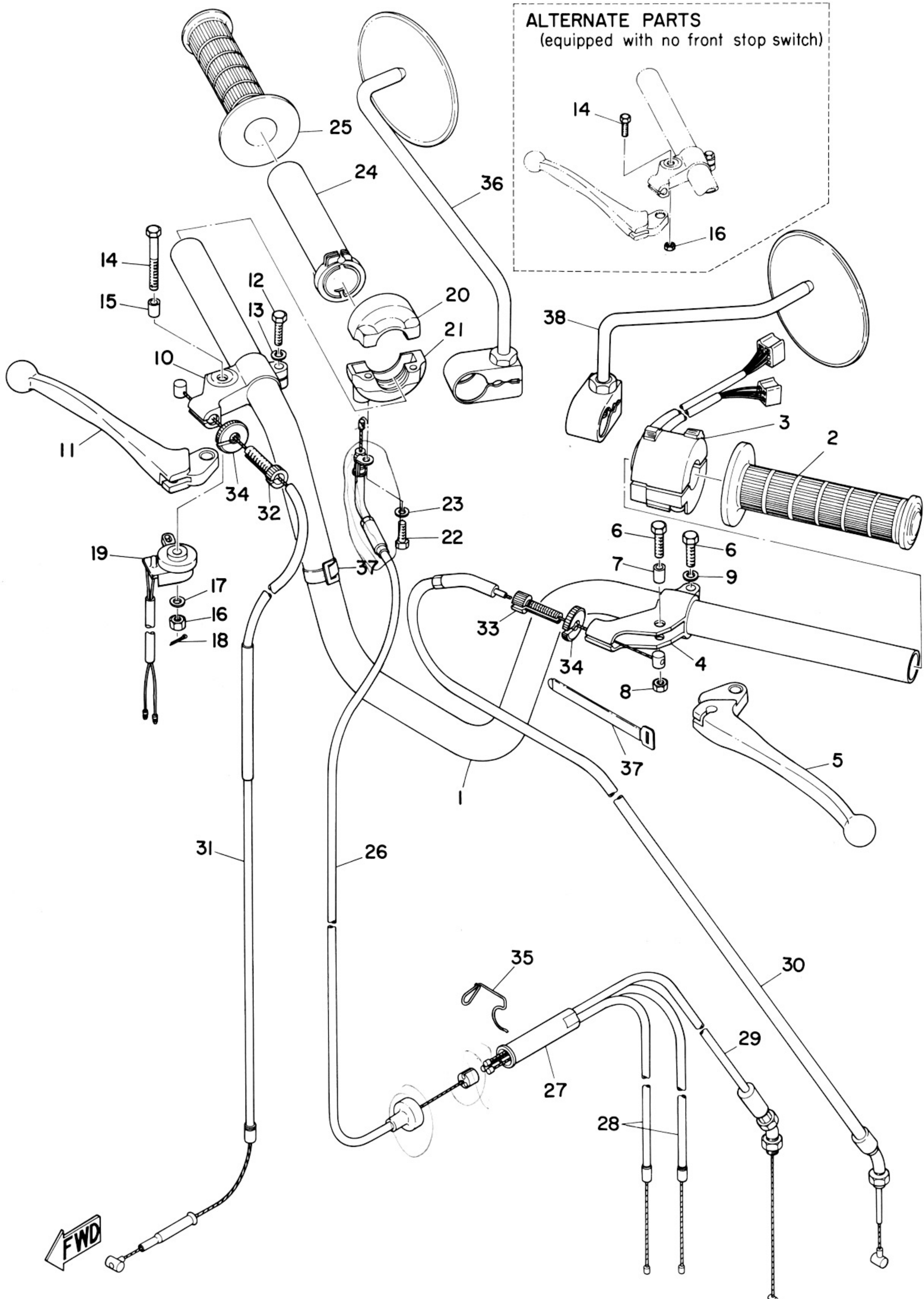
STEERING

Ref. No.	Part No.	Description	Q'ty	Applicable Machine No.	Remarks
21-25	122-23480-00	STEERING LOCK ASS'Y	1		
21-26	122-23483-00	RIVET, screw	1		

ALTERNATE PARTS

21-27	169-23480-10	STEERING LOCK ASS'Y	1		Destined for W. Germany
21-28	134-23484-10	CAP, handle lock	1		Destined for W. Germany

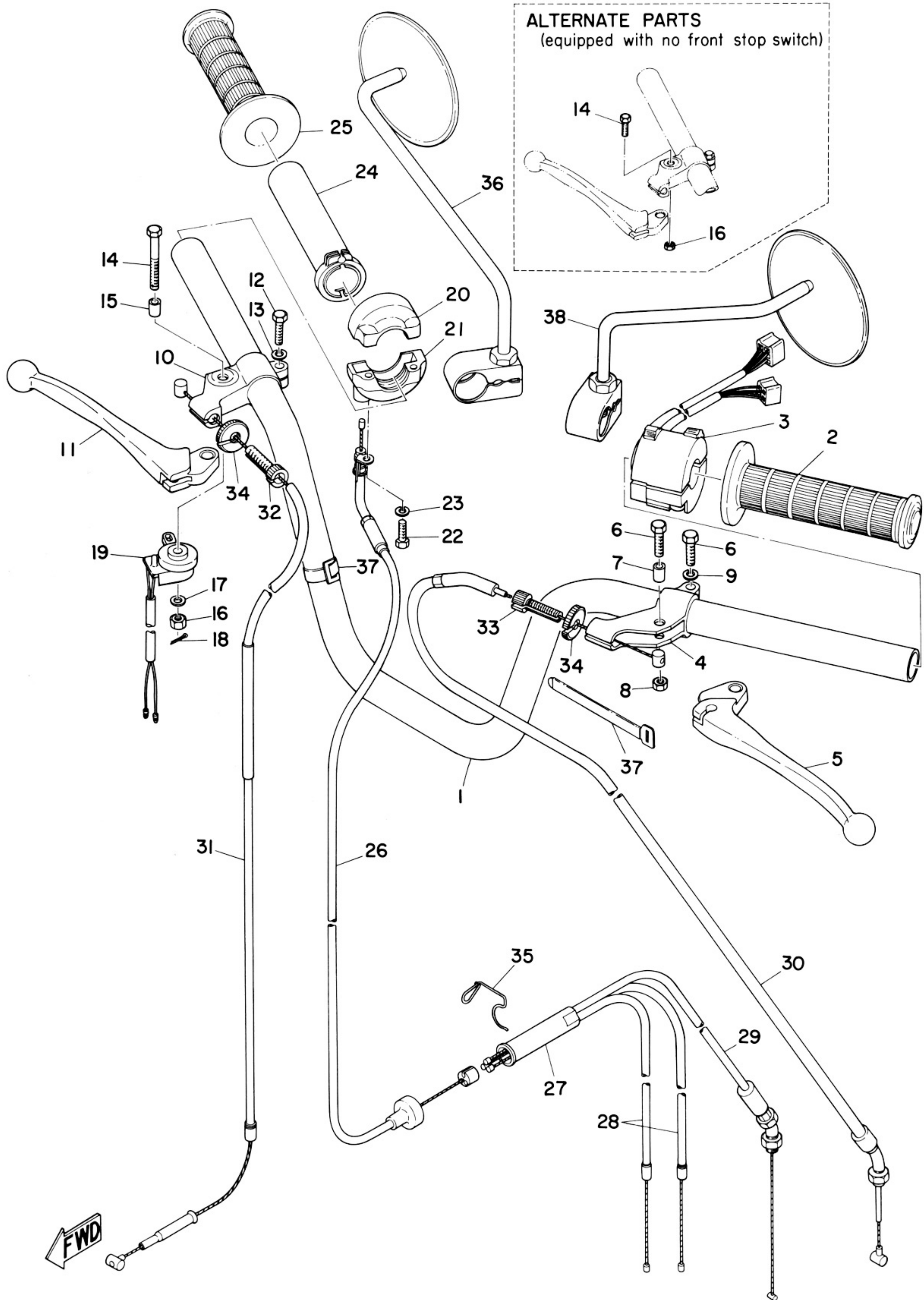
Fig. 22 HANDLE · WIRE



HANDLE · WIRE

Ref. No.	Part No.	Description	Q'ty	Applicable Machine No.	Remarks
22- 1	183-26111-10	HANDLE	1		STD
	307-26111-20	HANDLE	1		Bar
	212-26111-00	HANDLE	1		Bridge
22- 2	235-26241-10	GRIP, left	1		
22- 3	307-83972-00	SWITCH, handle 4	1		STD
	307-83972-20	SWITCH, handle 4	1		Bar
22- 0-1	214-82910-02	LEVER HOLDER ASS'Y, left	1		
22- 4	214-82911-01	. HOLDER, lever left	1		
22- 5	214-83912-00	. LEVER, left	1		
22- 6	91203-06020	. BOLT	2		
22- 7	214-83913-00	. COLLAR, lever	1		
22- 8	98801-06300	. NUT	1		
22- 9	92901-06100	. WASHER, spring	1		
22- 0-2	233-82920-32	LEVER HOLDER ASS'Y, right	1		
	233-82920-02	LEVER, HOLDER ASS'Y, right	1		Alternate Parts
22-10	233-82921-31	. HOLDER, lever right	1		
22-11	233-83922-30	. LEVER, right	1		
22-12	91203-06020	. BOLT	1		
22-13	92901-06100	. WASHER, spring	1		
22-14	933-83915-01	. SCREW, lever fitting	1		
	91203-06020	. BOLT	1		Alternate Parts
22-15	214-83913-00	. COLLAR, lever	1		
22-16	98801-05500	. NUT, slotted	1		
	98801-06300	. NUT	1		Alternate Parts
22-17	92901-05200	. WASHER, plain	1		

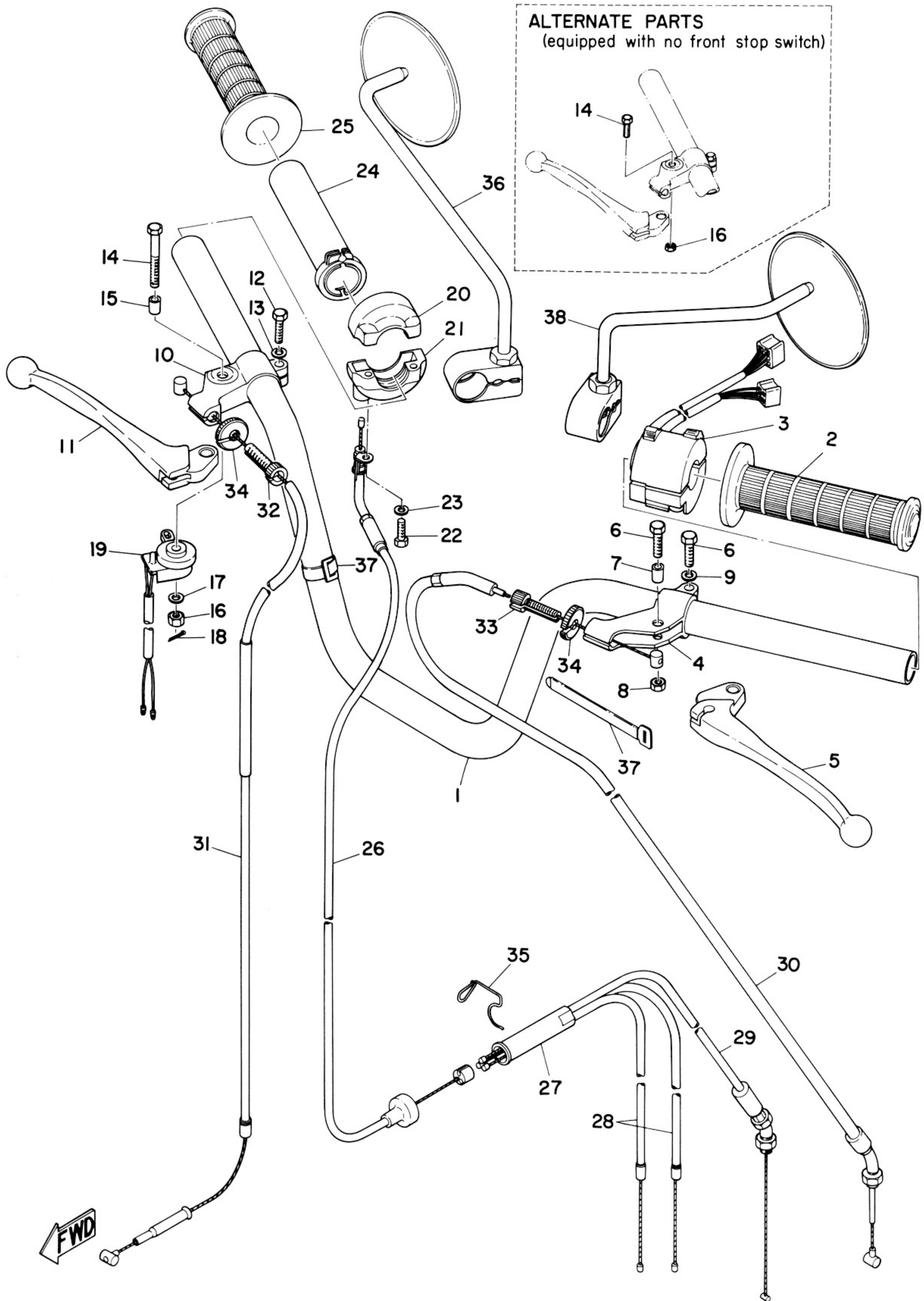
Fig. 22 HANDLE · WIRE



HANDLE · WIRE

Ref. No.	Part No.	Description	Q'ty	Applicable Machine No.	Remarks
22-18	91401-12015	. PIN, cotter	1		
22-19	233-83980-30	FRONT STOP SWITCH ASS'Y	1		
22-20	307-26281-00	CAP, grip upper	1		
22-21	307-26282-00	CAP, grip under	1		
22-22	98501-05015	SCREW, pan head	2		
22-23	92901-05100	WASHER, spring	2		
22-24	137-26243-60	TUBE, guide	1		
22-25	306-26242-10	GRIP, right	1		
22-26	307-26311-00	WIRE, throttle 1	1		STD.
	307-26311-10	WIRE, throttle 1	1		Bridge
	307-26311-20	WIRE, throttle 1	1		Bar
22-27	156-26261-01	CYLINDER	1		
22-28	307-26312-00	WIRE, throttle 2	2		
22-29	307-26321-00	WIRE, pump	1		
22-30	307-26335-00	WIRE, cluthh	1		STD.
	307-26335-10	WIRE, clutch	1		Bridge
	307-26335-20	WIRE, clutch	1		Bar
	307-26335-40	WIRE, clutch	1		Bridge
22-31	307-26341-00	WIRE, brake	1		STD.
	307-26341-10	WIRE, brake	1		Bridge
	307-26341-20	WIRE, brake	1		Bar
22-32	156-26346-00	BOLT, wire adjusting	1		
22-33	168-26337-00	BOLT, wire adjusting	1		
22-34	168-26344-00	NUT, wire adjusting	2		
22-35	307-26278-00	CLIP, wire	1		

Fig. 22 HANDLE · WIRE



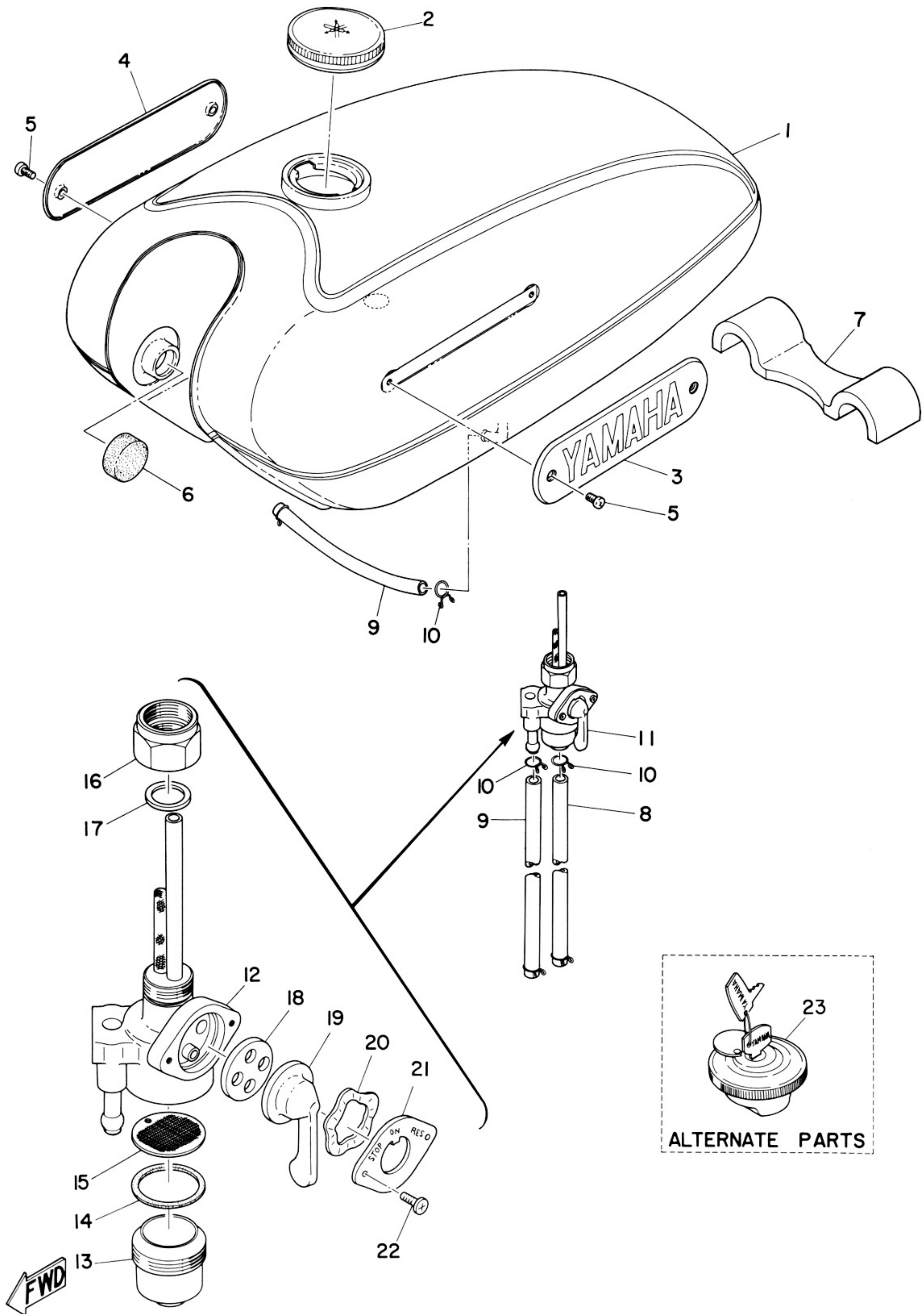
HANDLE · WIRE

Ref. No.	Part No.	Description	Q'ty	Applicable Machine No.	Remarks
22-36	253-26290-00	BACK MIRROR ASS'Y, right 1		
22-37	168-83936-01	BAND, switch cord 2		

ALTERNATE PARTS

22-38	253-26290-10	BACK MIRROR ASS'Y, left 1		
-------	--------------	-------------------------	---------	--	--

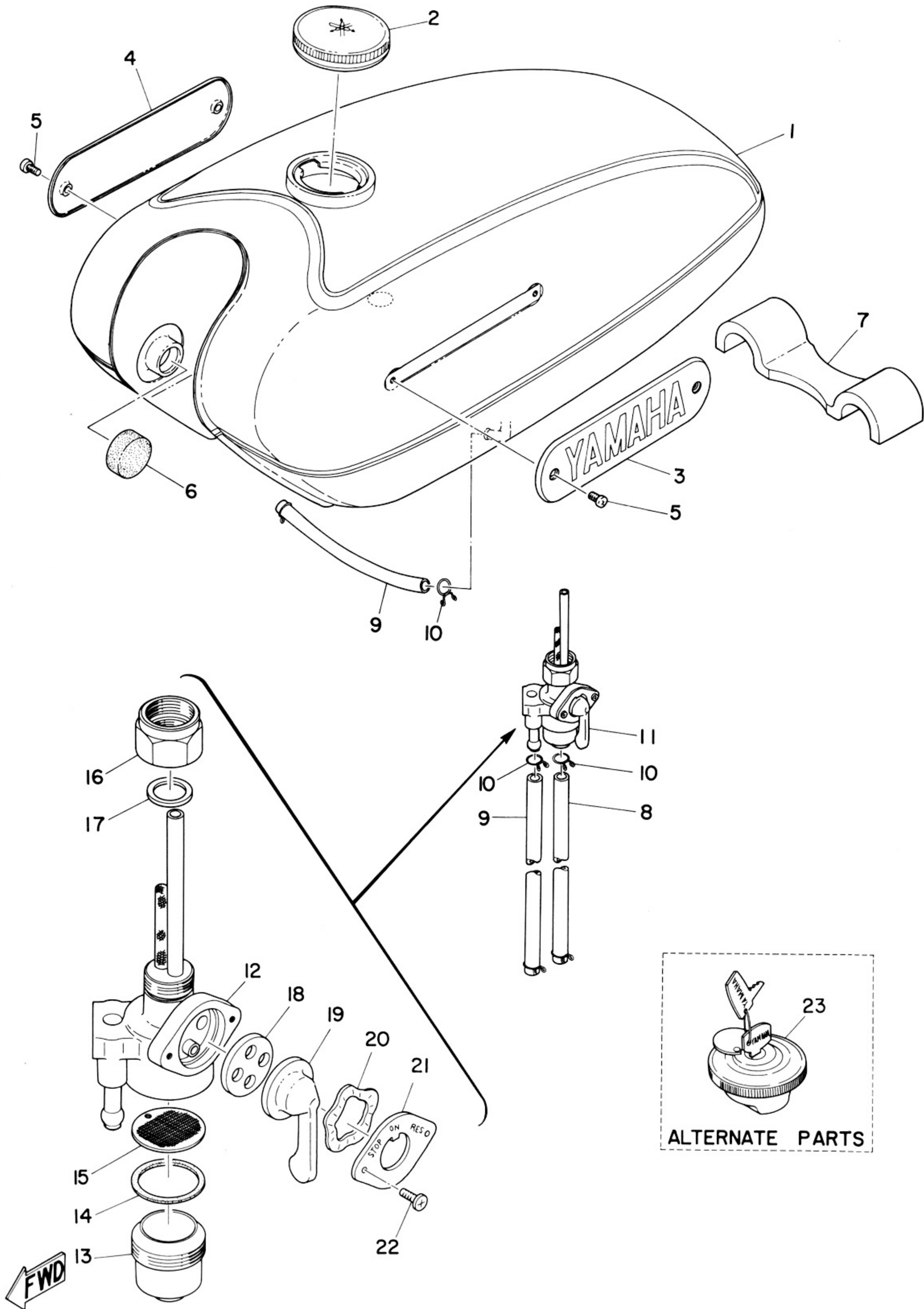
Fig. 23 FUEL TANK



FUEL TANK

Ref. No.	Part No.	Description	Q'ty	Applicable Machine No.	Remarks
23- 1	307-24110-00-01	FUEL TANK COMP.	1		Mandarin Orange
	307-24110-00-03	FUEL TANK COMP.	1		Brilliant Red
23- 2	122-24610-01	CAP ASS'Y	1		
23- 3	307-24161-00	EMBLEM, fuel tank left	1		
23- 4	307-24162-00	EMBLEM, fuel tank right	1		
23- 5	98501-04008	SCREW, pan head	4		
23- 6	122-24181-00	DAMPER, locating	2		
23- 7	307-24182-00	DAMPER, locating	1		
23- 8	307-24312-00	PIPE, fuel (5-125)	1		
23- 9	174-24312-00	PIPE, fuel right (5-170)	2		
23-10	101-24356-00	CLIP, pipe	6		
23-11	132-24500-02	FUEL COCK ASS'Y	1		
23-12	132-24511-02	. BODY, fuel cock	1		Not for sale
23-13	132-24521-00	. CUP, filter	1		
23-14	132-24522-00	. GASKET, filter	1		
23-15	132-24515-00	. NET, filter	1		
23-16	132-24531-00	. NUT	1		
23-17	132-24532-00	. GASKET, nut	1		
23-18	137-24523-00	. VALVE	1		
23-19	168-24524-00	. LEVER, cock	1		
23-20	132-24518-00	. WASHER, wave	1		
23-21	132-24525-00	. PLATE, lever fitting	1		
23-22	98501-03006	. SCREW, pan head	2		

Fig. 23 FUEL TANK



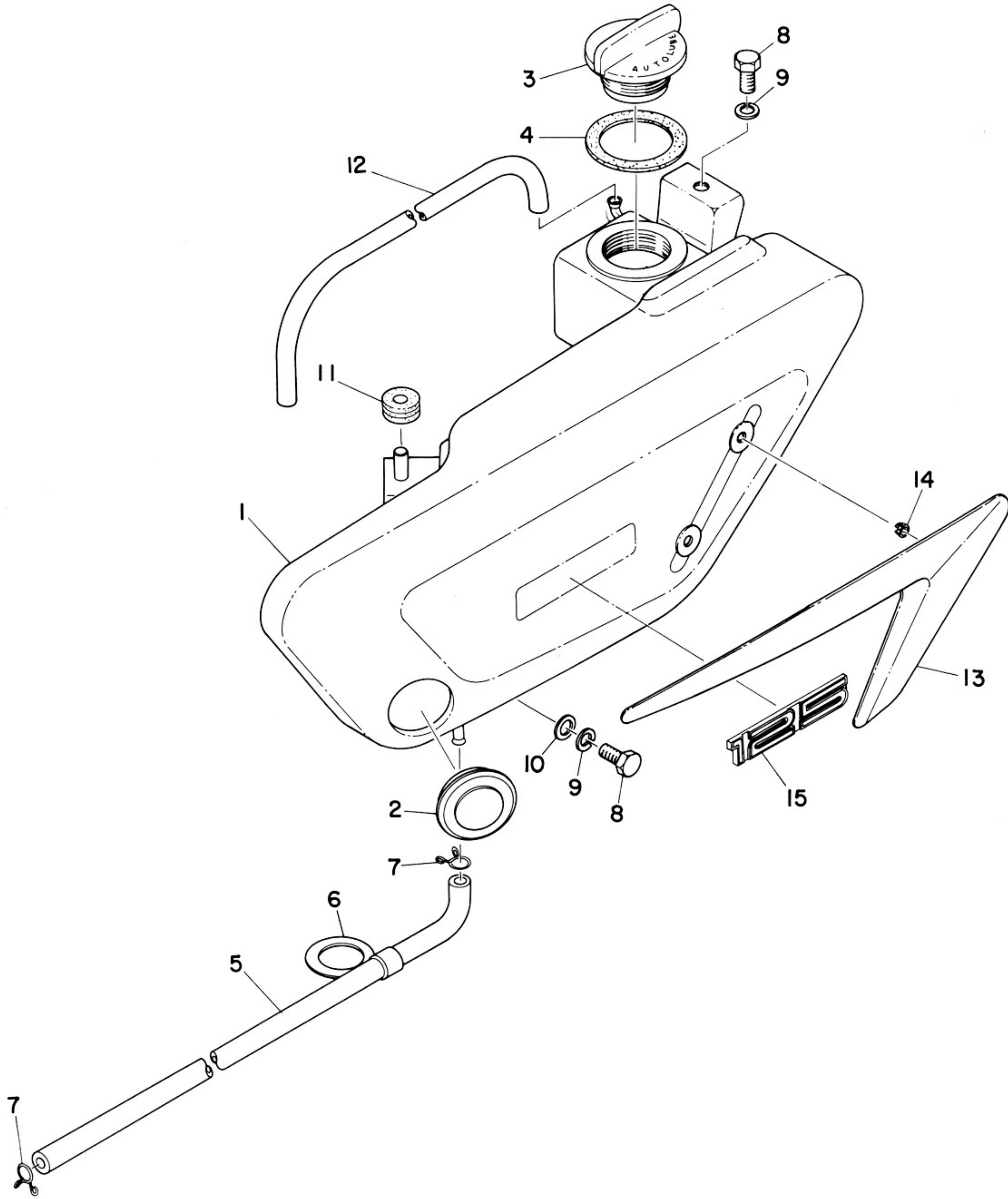
FUEL TANK

Ref. No.	Part No.	Description	Q'ty	Applicable Machine No.	Remarks
----------	----------	-------------	------	------------------------	---------

ALTERNATE PARTS

23-23	127-24650-00	CAP ASS'Y	1		
-------	--------------	-----------------	---	--	--

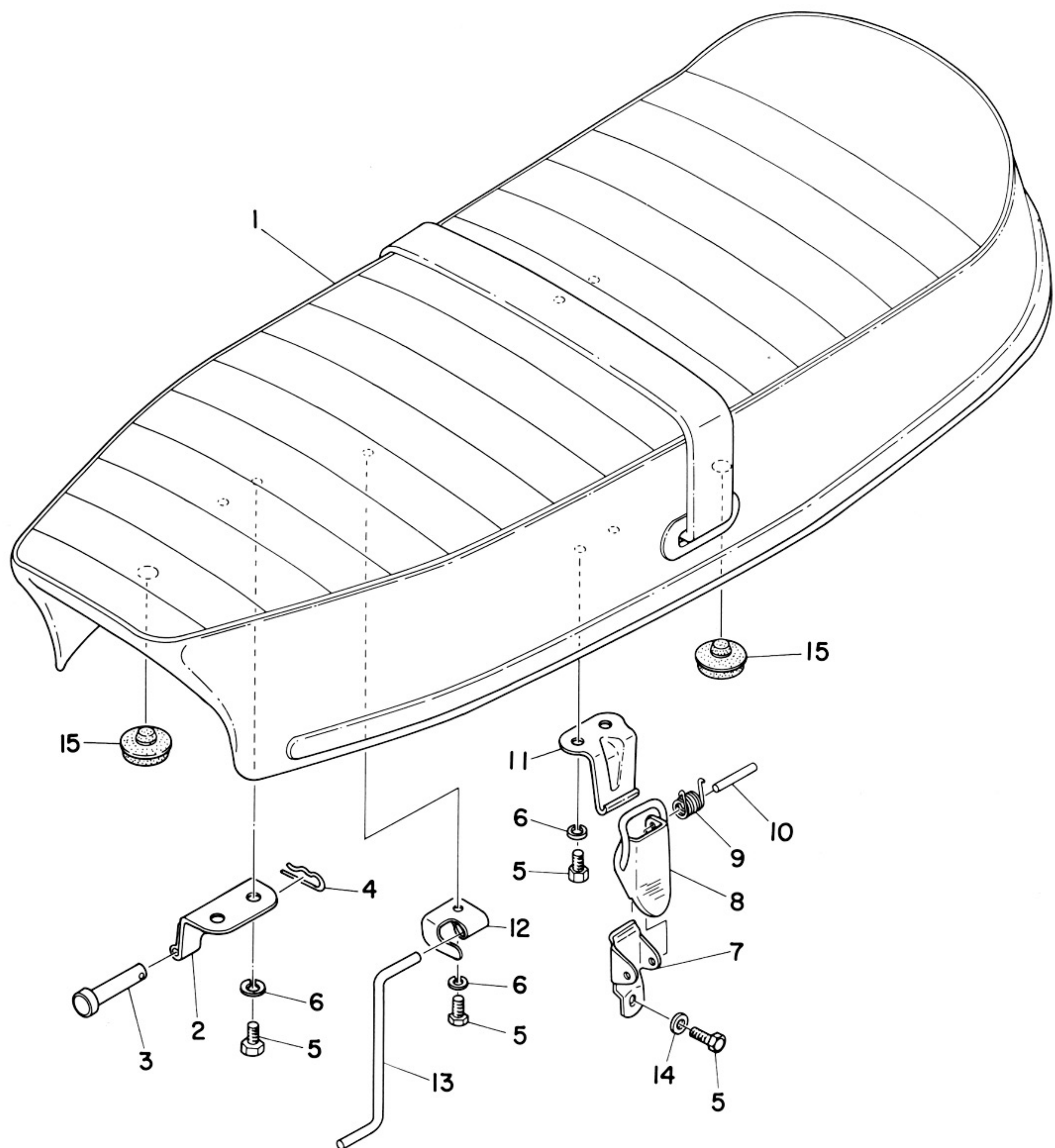
Fig. 24 OIL TANK



OIL TANK

Ref. No.	Part No.	Description	Q'ty	Applicable Machine No.	Remarks
24- 1	307-21705-00-63	OIL TANK ASS'Y	1		Brilliant Red
	307-21705-00-71	OIL TANK ASS'Y	1		Mandarin Orange
24- 2	214-21761-00	. GAUGE, level	1		
24- 3	214-21771-00	CAP, oil tank	1		
24- 4	214-21772-00	GASKET	1		
24- 5	3-7-24319-00	PIPE, oil (5-500)	1		
24- 6	183-24369-00	CLAMP, pipe	1		
24- 7	101-24356-00	CLIP, pipe	2		
24- 8	91201-06012	BOLT	2		
24- 9	92901-06100	WASHER, spring	2		
24-10	92901-06200	WASHER, plain	2		
24-11	214-21746-00	DAMPER, tool box	1		
24-12	168-82112-00	PIPE, breather (5-580)	1		
24-13	307-21781-00	MOLD, oil tank	1		
24-14	307-21791-00	NUT	2		
24-15	307-21786-00-63	EMBLEM 125	1		Brilliant Red
	307-21786-71	EMBLEM 125	1		Mandarin Orange

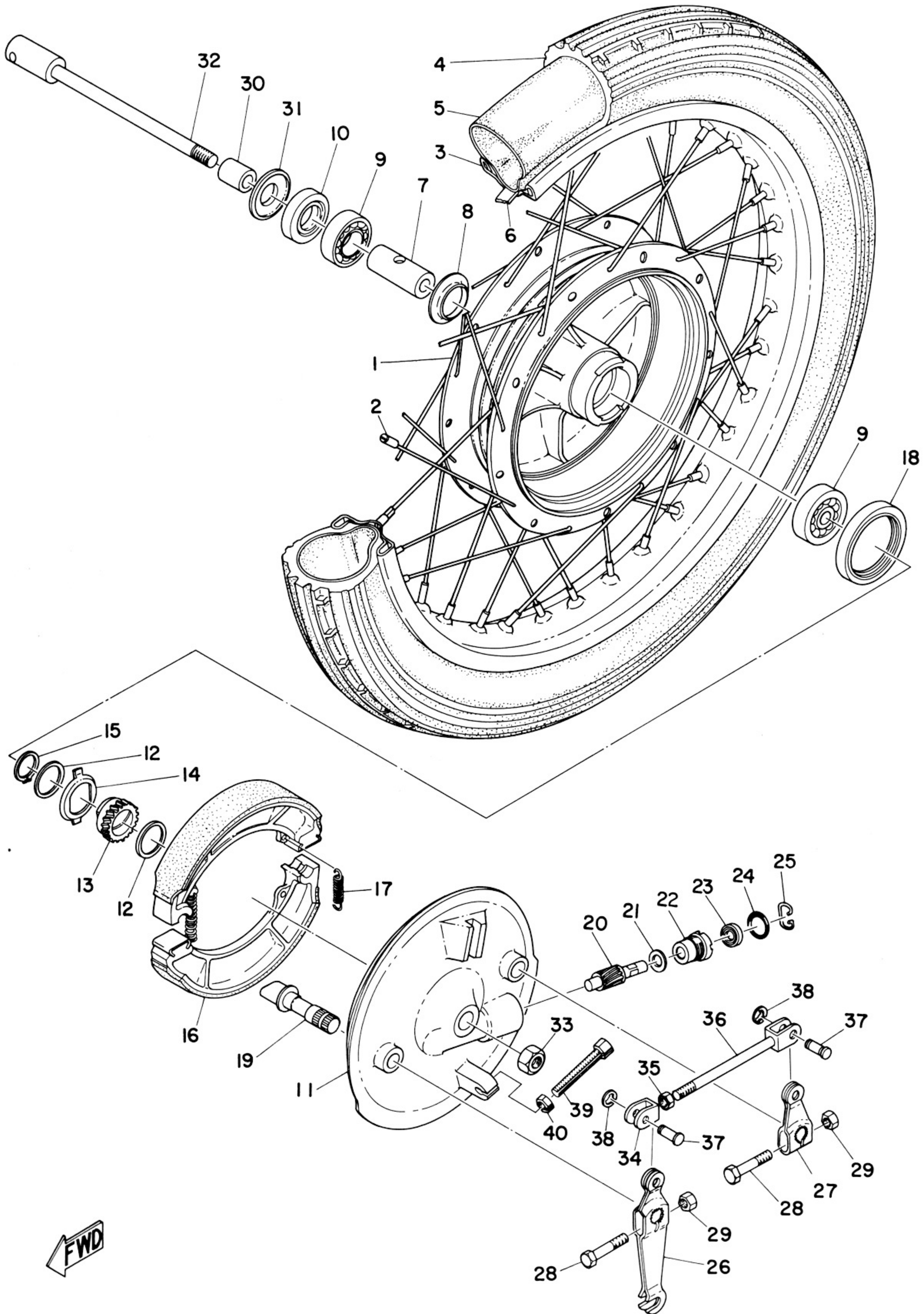
Fig. 25 SEAT



SEAT

Ref. No.	Part No.	Description	Q'ty	Applicable Machine No.	Remarks
25- 1	307-24730-00	DOUBLE SEAT ASS'Y	1		
25- 2	307-24726-00-33	HINGE, seat	2		
25- 3	91502-05055	PIN, clevis	2		
25- 4	156-83525-00	CLIP	2		
25- 5	91201-06012	BOLT	8		
25- 6	92901-06100	WASHER, spring	7		
25- 7	214-24718-00	BRACKET, seat under	1		
25- 8	214-24776-00-33	LEVER, seat	1		
25- 9	214-24758-00	SPRING	1		
25-10	214-24727-00	PIN, seat fitting	1		
25-11	278-24728-00-33	BRACKET, seat	1		
25-12	276-24748-00-33	BRACKET, seat stopper	1		
25-13	307-24768-00	STOPPER, seat	1		
25-14	92901-06200	WASHER, plain	1		
25-15	174-24741-00	PAD, seat	5		

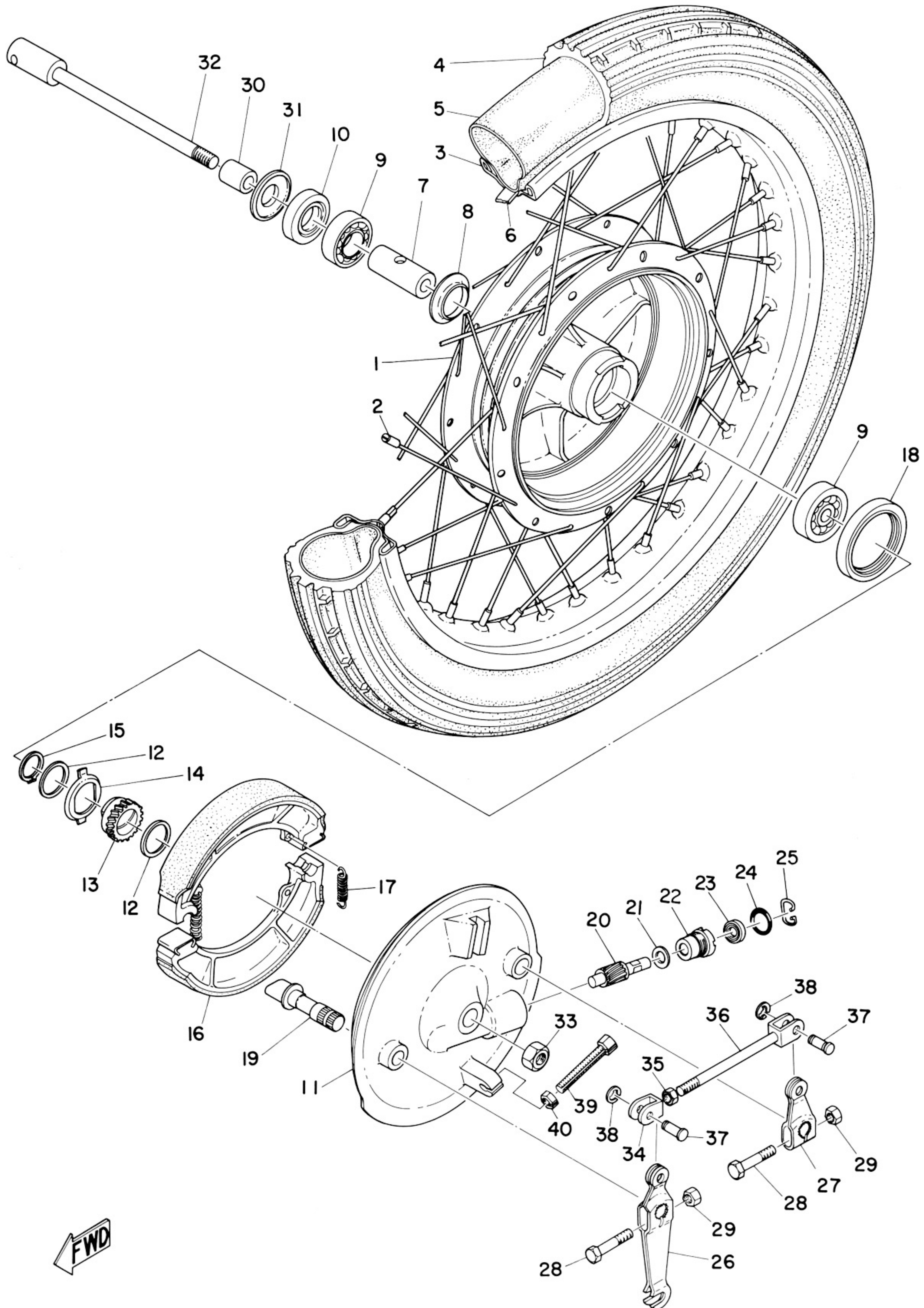
Fig. 26 FRONT WHEEL



FRONT WHEEL

Ref. No.	Part No.	Description	Q'ty	Applicable Machine No.	Remarks
26- 1	307-25111-00	HUB	1		
26- 2	307-25104-00	SPOKE SET	1s		
26- 3	94414-18034	RIM (1.40-18)	1		
26- 4	94125-18019	TIRE (2.50-18-4PR)	1		
26- 5	94225-18006	TUBE (2.50-18)	1		
26- 6	94325-18005	BAND, rim	1		
26- 7	183-25117-00	SPACER, bearing	1		
26- 8	109-25315-00	SPACER, flange	1		
26- 9	93306-30103	BEARING (6303Z)	2		
26-10	93102-18008	OIL SEAL (SD-18-37-8)	1		
26-11	307-25121-00	PLATE, brake shoe	1		
26-12	183-25147-00	WASHER, thrust (20.5-26-1.0) ...	2		
26-13	307-25135-00	GEAR, drive	1		
26-14	183-25149-00	CLUTCH, meter	1		
26-15	93410-20009	CIRCLIP (S-20)	1		
26-16	307-25130-00	BRAKE SHOE COMP.	2		
26-17	183-25333-00	SPRING, return	2		
26-18	93105-47007	OIL SEAL (SDD-47-58-7)	1		
26-19	183-25351-00	CAMSHAFT	2		
26-20	307-25138-00	GEAR, meter	1		
26-21	183-25146-00	WASHER, thrust (7-12-0.8)	1		
26-22	109-25136-00	BUSHING	1		
26-23	93104-07003	OIL SEAL (SO-7-14-4)	1		
26-24	93210-14104	O-RING (2.4-13.8)	1		

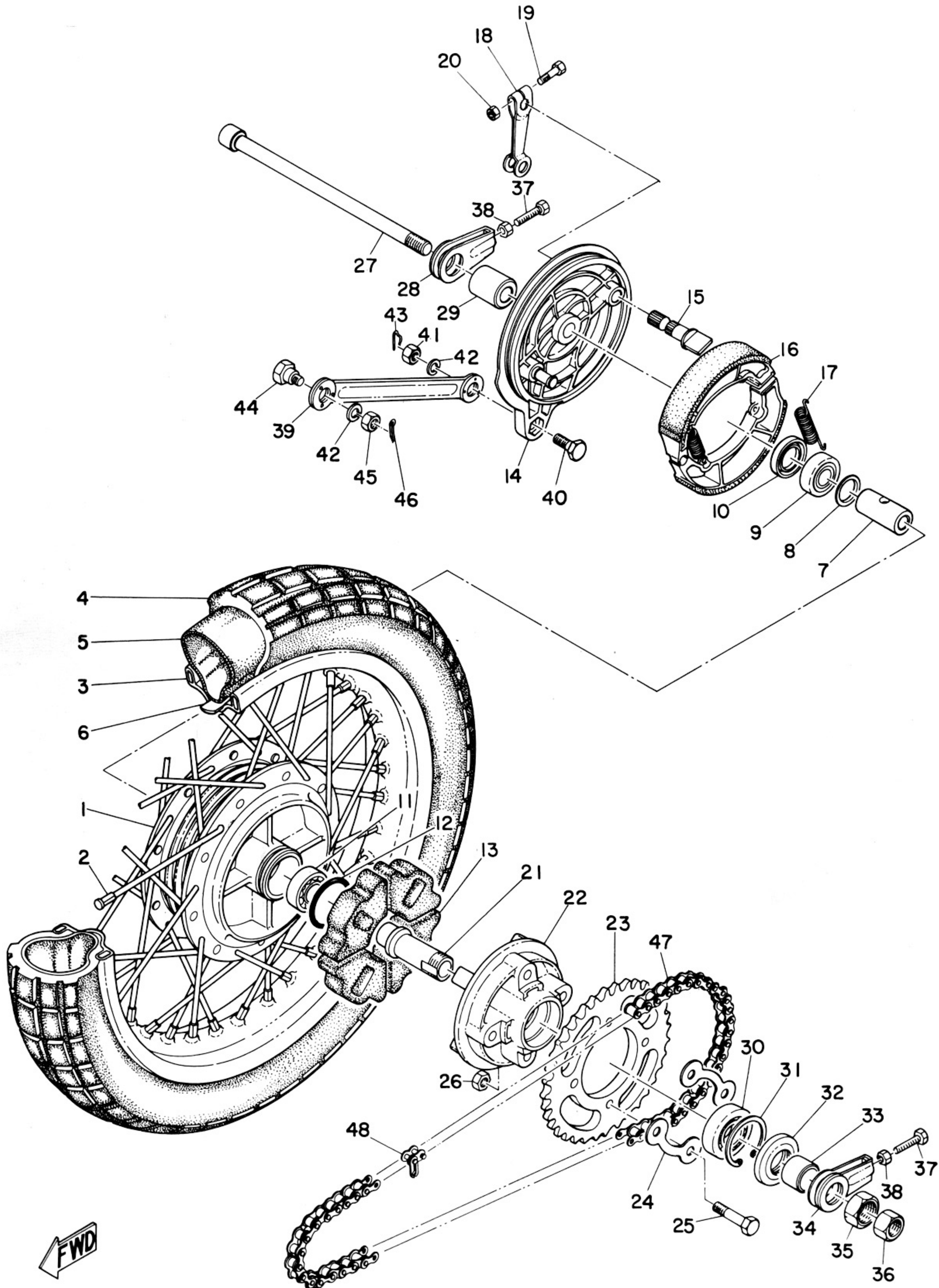
Fig. 26 FRONT WHEEL



FRONT WHEEL

Ref. No.	Part No.	Description	Q'ty	Applicable Machine No.	Remarks
26-25	102-25137-00	RING, stop	1		
26-26	307-25155-00	LEVER, camshaft 1	1		
26-27	307-25156-00	LEVER, camshaft 2	1		
26-28	91201-06030	BOLT	2		
26-29	98801-06100	NUT	2		
26-30	183-25183-00	COLLAR, wheel shaft	1		
26-31	183-25118-00	COVER, wheel shaft	1		
26-32	183-25181-01	SHAFT, wheel	1		
26-33	183-25182-00	NUT, wheel shaft	1		
26-34	152-25163-00	END, rod	1		
26-35	98801-06300	NUT	1		
26-36	307-25161-00	ROD, connecting	1		
26-37	152-25165-00	PIN, rod end	2		
26-38	93430-04003	CIRCLIP (E-4)	2		
26-39	109-26345-00	BOLT, wire adjusting	1		
26-40	109-26344-00	NUT, wire adjusting	1		

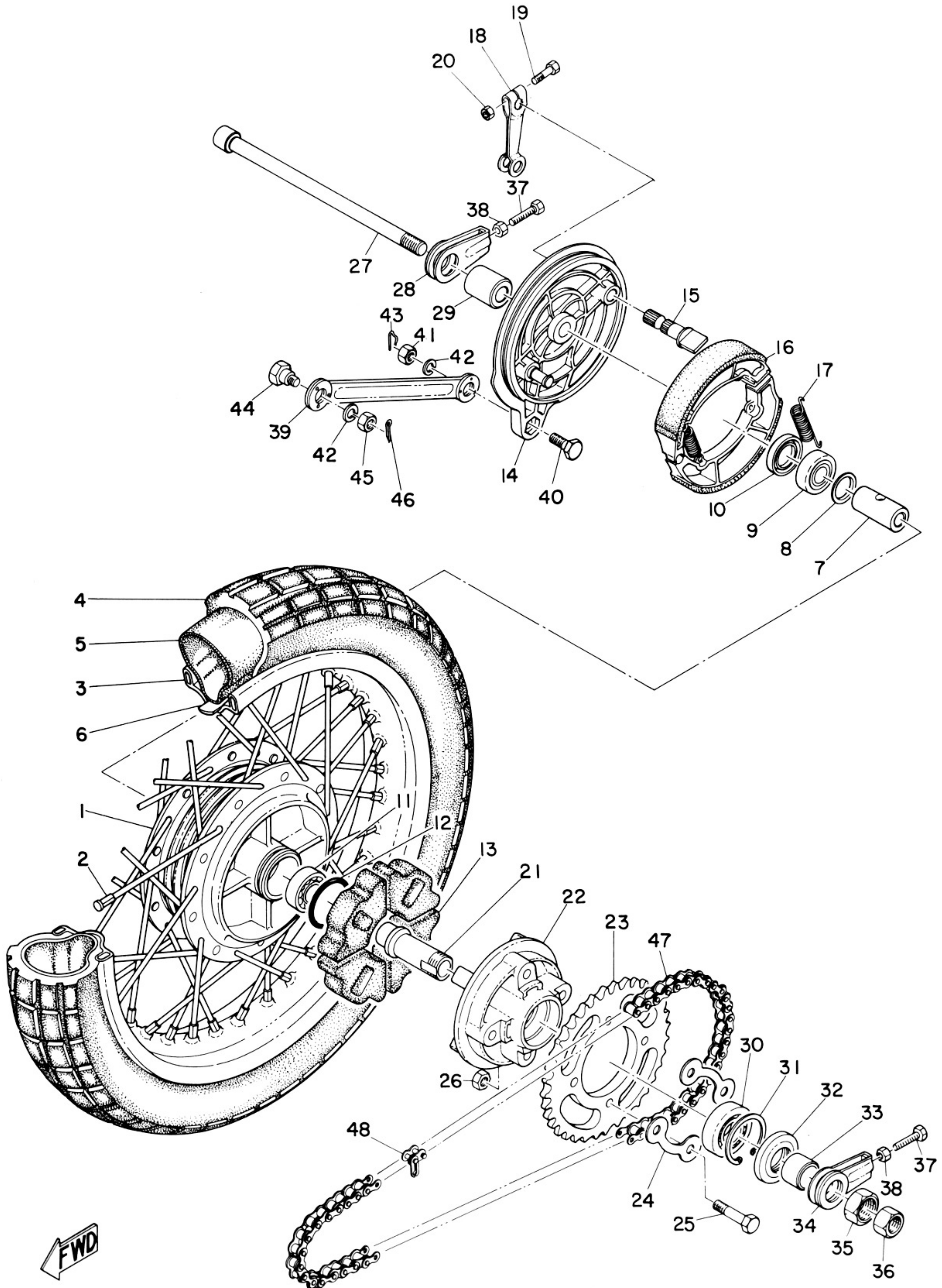
Fig. 27 REAR WHEEL



REAR WHEEL

Ref. No.	Part No.	Description	Q'ty	Applicable Machine No.	Remarks
27- 1	183-25311-00	HUB	1		
27- 2	183-25304-00	SPROKE SET	1s		
27- 3	94416-18018	RIM (1.6-18)	1		
27- 4	94127-18064	TIRE (2.75-18-4PR)	1		
27- 5	94227-18009	TUBE (2.75-18)	1		
27- 6	94327-18007	BAND, rim (2.75-18)	1		
27- 7	136-25317-00	SPACER, bearing	1		
27- 8	183-25315-00	FLANGE, spacer	1		
27- 9	93306-20201	BEARING (6202)	1		
27-10	93104-22018	OIL SEAL (SD-22-35-5)	1		
27-11	93306-20204	BEARING (6202Z)	1		
27-12	93210-42101	O-RING (2.5-41.7)	1		
27-13	132-25364-00	DAMPER, clutch	4		
27-14	183-25321-00	PLATE, brake shoe	1		
27-15	183-25351-00	CAMSHAFT	1		
27-16	183-25330-00	BRAKE SHOE COMP.	2		
27-17	183-25333-00	SPRING, return	2		
27-18	307-25355-00	LEVER, camshaft	1		
27-19	91101-06025	BOLT	1		
27-20	92801-06100	NUT	1		
27-21	183-25387-00	SHAFT, sprocket	1		
27-22	183-25366-01	CLUTCH, hub	1		

Fig. 27 REAR WHEEL

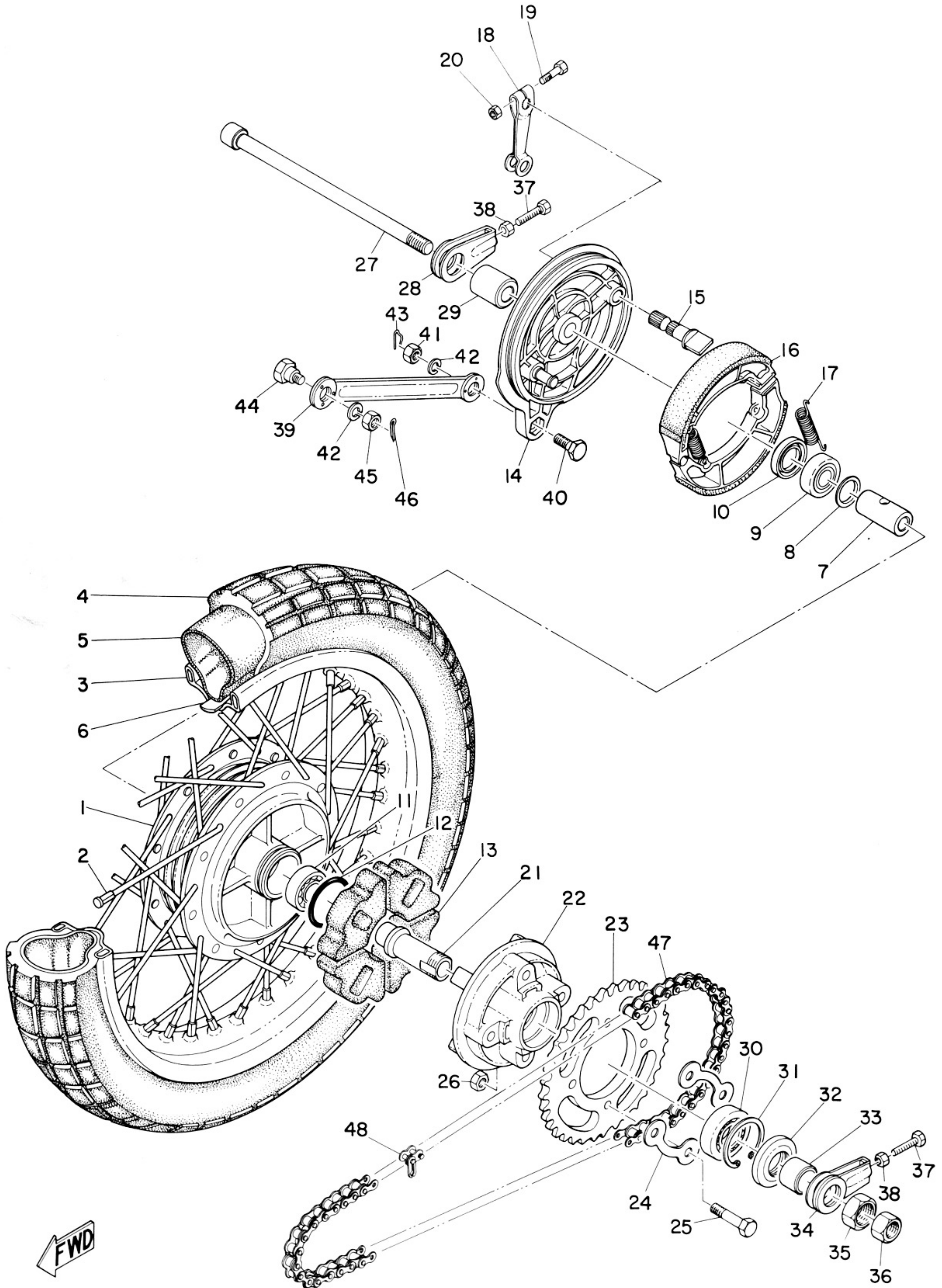


← FWD

REAR WHEEL

Ref. No.	Part No.	Description	Q'ty	Applicable Machine No.	Remarks
27-23	183-25437-10	GEAR, sprocket wheel (37T) 1		
	183-25438-10	GEAR, sprocket wheel (38T) 1		
	183-25439-10	GEAR, sprocket wheel (39T) 1		STD
27-24	102-25412-00	WASHER, lock 2		
27-25	207-25411-00	BOLT, fitting 4		
27-26	98801-08200	NUT 4		
27-27	183-25381-00	SHAFT, wheel 1		
27-28	248-25388-00	PULLER, chain 1		
27-29	183-25383-00	COLLAR, wheel shaft 1		
27-30	93306-00406	BEARING (6004Z) 1		
27-31	93420-42007	CIRCLIP (R-42) 1		
27-32	93106-26005	OIL SEAL (SDD-26-42-18) 1		
27-33	183-25386-00	COLLAR, sprocket shaft 1		
27-34	214-25388-00	PULLER, chain 1		
27-35	137-25385-00	NUT, sprocket wheel 1		
27-36	98801-14200	NUT 1		
27-37	168-25379-00	BOLT, chain puller 2		
27-38	98801-08300	NUT 2		
27-39	307-25371-00	BAR, tension 1		
27-40	109-25373-00	BOLT, tension bar 1		
27-41	98801-08300	NUT 1		
27-42	92901-08100	WASHER, spring 2		
27-43	102-25375-00	CLIP, tension bar 1		
27-44	183-25378-00	BOLT, tension bar 1		

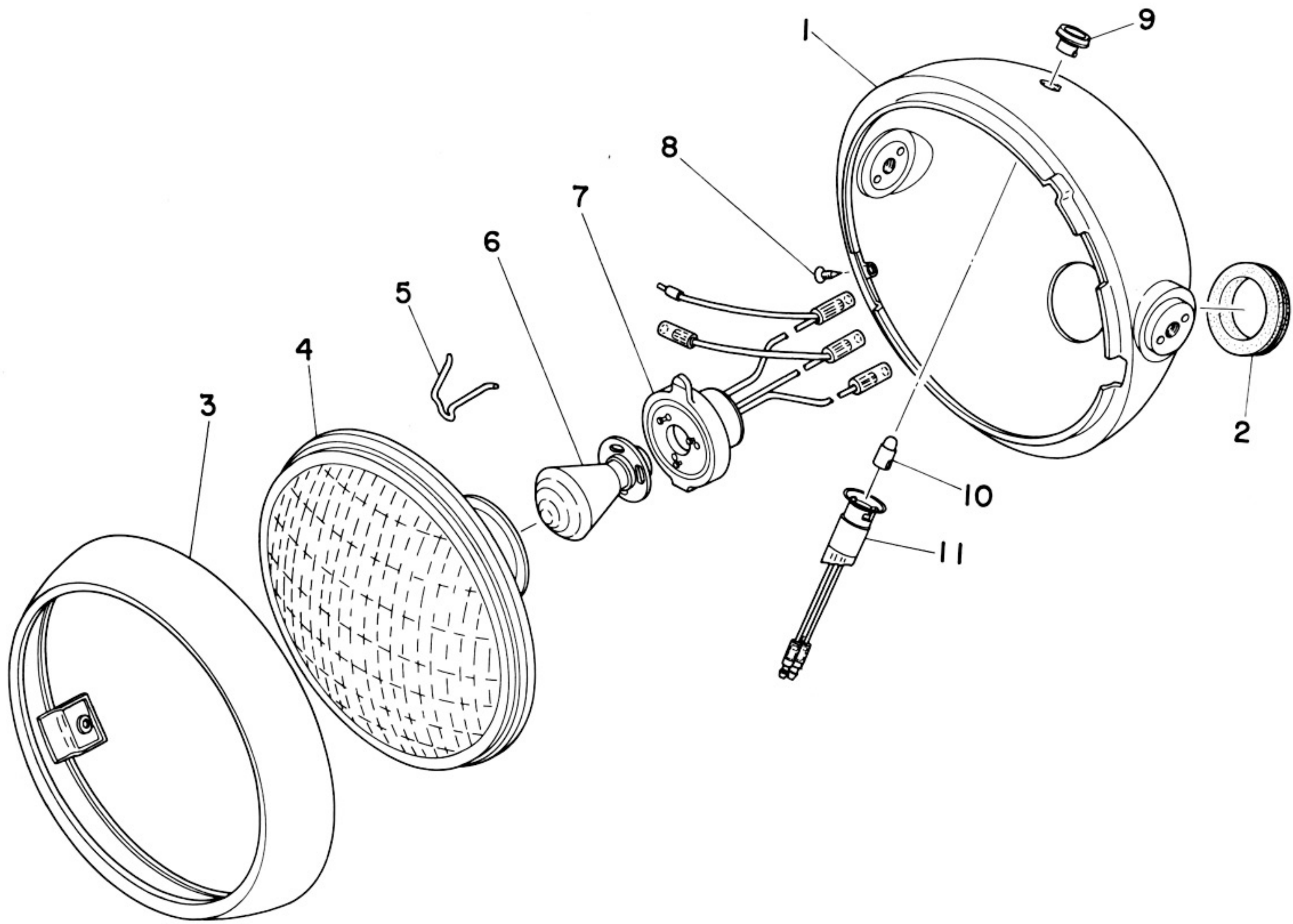
Fig. 27 REAR WHEEL



REAR WHEEL

Ref. No.	Part No.	Description	Q'ty	Applicable Machine No.	Remarks
27-45	98801-08100	NUT	1		
27-46	91401-20012	PIN, cotter	1		
27-47	94504-28110	CHAIN (DK428-110L)	1		
27-48	94604-28001	. JOINT, chain	1		

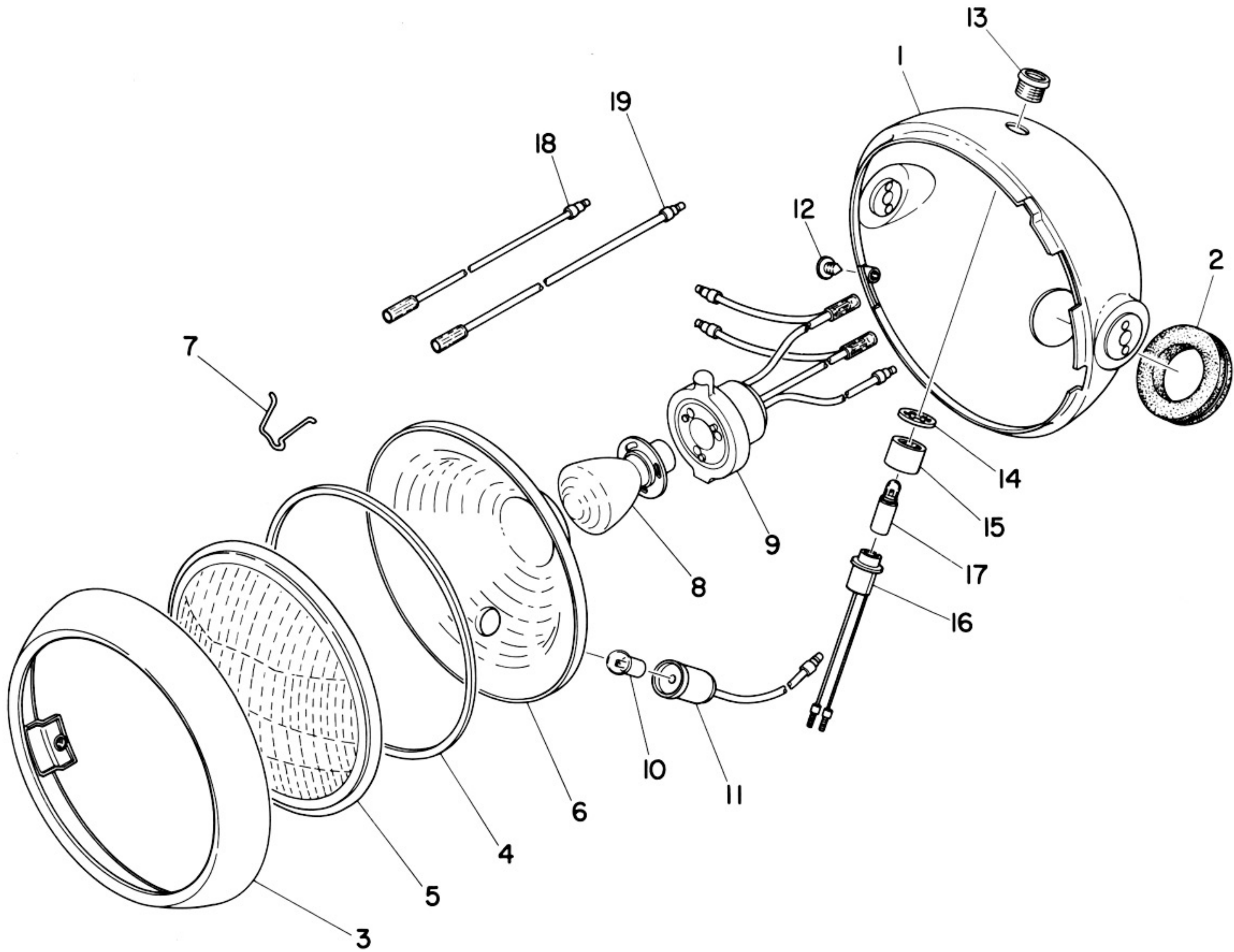
Fig. 28 HEAD LAMP



HEAD LAMP

Ref. No.	Part No.	Description	Q'ty	Applicable Machine No.	Remarks
28- 1	237-84330-60-63	BODY ASS'Y	1		Brilliant Red
	237-84330-60-71	BODY ASS'Y	1		Mandarin Orange
28- 2	214-84153-60	. GROMMET	1		
28- 0-1	252-84310-00	HEAD LAMP UNIT ASS'Y	1		
28- 3	237-84315-00	. RIM, head lamp	1		
28- 4	237-84320-00	. LENS ASS'Y	1		
28- 5	195-84324-00	. SPRING, reflector	4		
28- 6	183-84314-60	. BULB, head lamp (12V 35/35W) ...	1		
28- 7	252-84312-00	. SOCKET	1		
28- 8	195-84325-00	SCREW, rim fitting	1		
28- 0-2	256-84301-61	PILOT LAMP ASS'Y	1		
28- 9	256-84357-61	. BODY, pilot lamp	1		
28-10	256-84347-00	. BULB, pilot (12V 2W)	1		
28-11	256-84350-61	. SOCKET CORD ASS'Y	1		

Fig. 29 HEAD LAMP (ENGLAND)

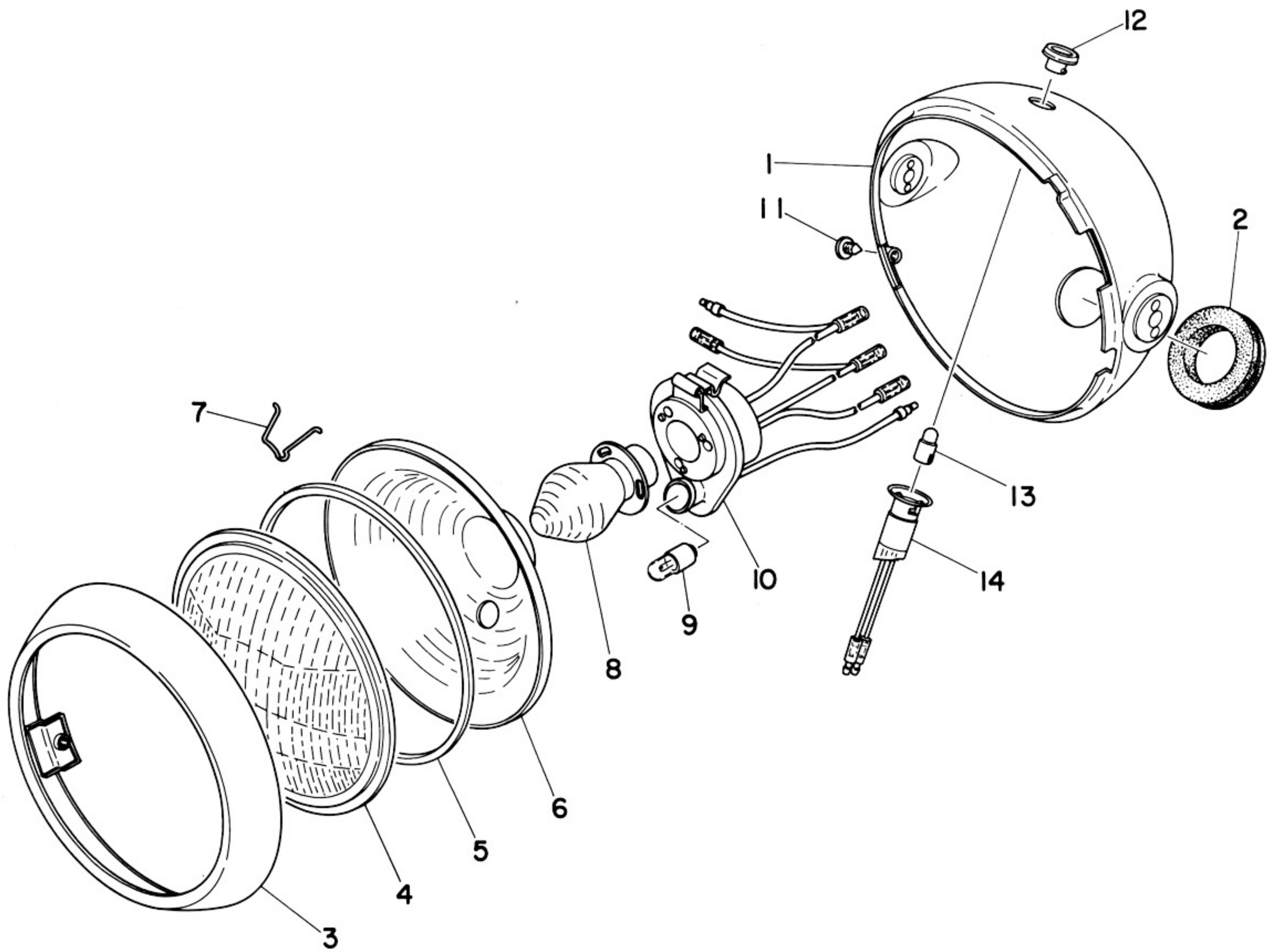


14 95 7

HEAD LAMP (ENGLAND)

Ref. No.	Part No.	Description	Q'ty	Applicable Machine No.	Remarks
29- 1	237-84330-60-63	BODY ASS'Y	1		Brilliant Red
	237-84330-60-71	BODY ASS'Y	1		Mandaring Orange
29- 2	214-84153-60	. GROMMET	1		
29- 0-1	237-84310-30	HEAD LAMP UNIT ASS'Y	1		
29- 3	237-84315-30	. RIM, head lamp	1		
29- 4	136-84322-00	. GASKET, head lamp	1		
29- 5	136-84321-00	. LENS, head lamp	1		
29- 6	137-84323-30	. REFLECTOR	1		
29- 7	195-84324-00	. SPRING, reflector set	4		
29- 8	265-84314-00	. BULB (12V 35/25W)	1		
29- 9	237-84312-30	. SOCKET ASS'Y	1		
29-10	123-83516-20	. BULB (12V 3W)	1		
29-11	183-84345-30	. SOCKET ASS'Y	1		
29-12	195-84325-00	SCREW, rim fitting	1		
29- 0-2	256-84301-60	PILOT LAMP ASS'Y	1		
29-13	214-84157-60	. BODY, pilot lamp	1		
29-14	92901-12300	. WASHER, tooth	1		
29-15	214-84158-60	. NUT, pilot lamp	1		
29-16	214-84150-60	. SOCKET CORD ASS'Y	1		
29-17	235-84347-00	. BULB (12V 1.5W)	1		
29-18	308-84348-00	WIRE, lead 1	1		
29-19	308-84349-00	WIRE, lead 2	1		

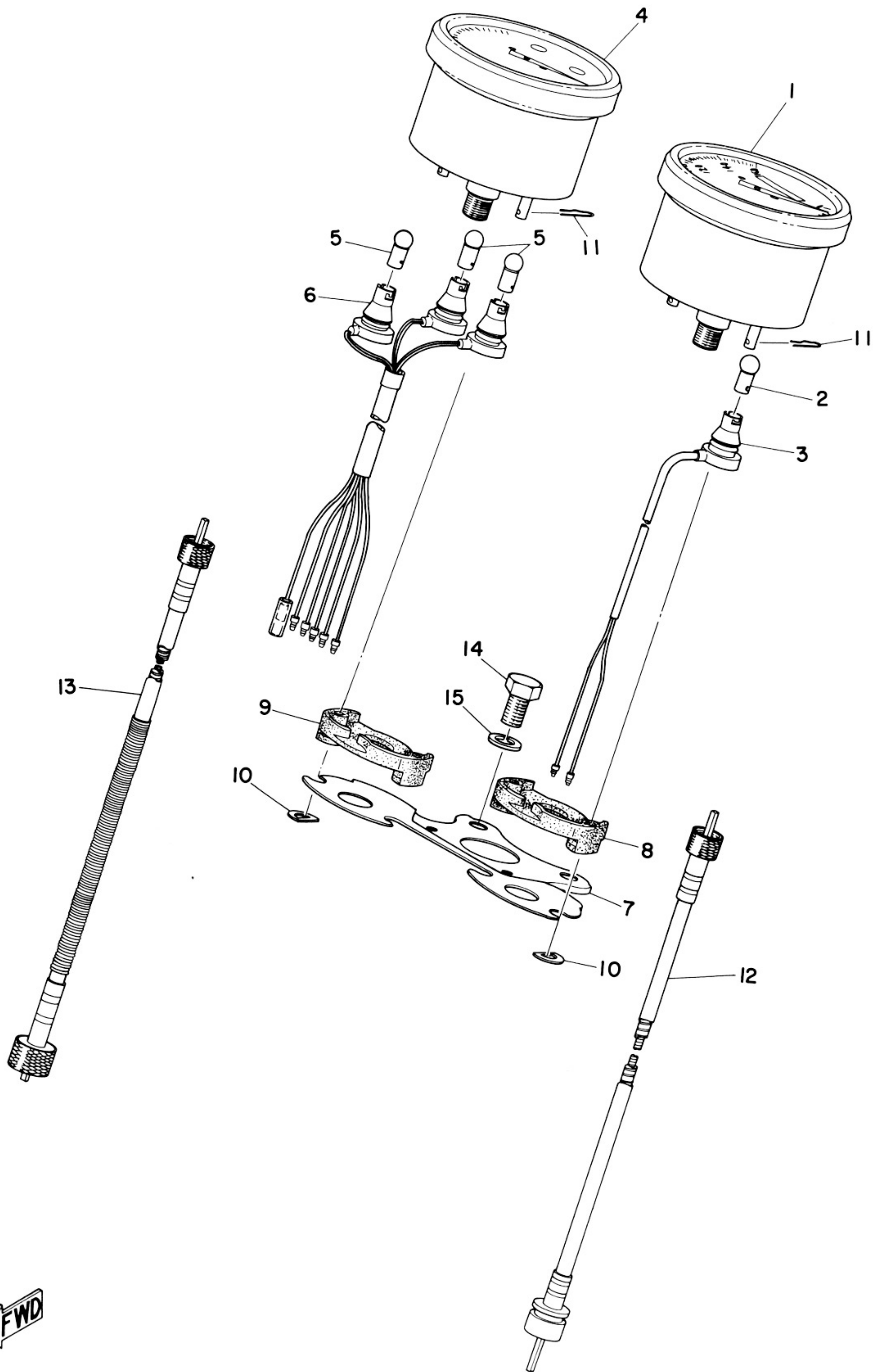
Fig. 30 HEAD LAMP (W. GERMANY)



HEAD LAMP (W. GERMANY)

Ref. No.	Part No.	Description	Q'ty	Applicable Machine No.	Remarks
30- 1	237-83340-60-63	BODY ASS'Y	1		Brilliant Red
	237-83340-60-71	BODY ASS'Y	1		Mandarin Orange
30- 2	214-84153-00	. GROMMET	1		
30- 0-1	252-84310-40	HEAD LAMP UNIT ASS'Y	1		
30- 3	237-84315-00	. RIM, head lamp	1		
30- 4	183-84321-40	. LENS, head lamp	1		
30- 5	136-84322-00	. GASKET, head lamp	1		
30- 6	183-84323-41	. REFLECTOR, head lamp	1		
30- 7	195-84324-00	. SPRING, reflector set	4		
30- 8	169-84314-10	. BULB (12V 35/35W)	1		
30- 9	169-84346-10	. BULB (12V 4W)	1		
30-10	252-84312-40	. SOCKET CORD ASS'Y	1		
30-11	195-84325-00	SCREW, rim fitting	1		
30- 0-2	256-84301-61	PILOT LAMP ASS'Y	1		
30-12	256-84357-61	. BODY, pilot lamp	1		
30-13	256-84347-00	. BULB, pilot (12V 2W)	1		
30-14	256-84350-61	. SOCKET CORD ASS'Y	1		

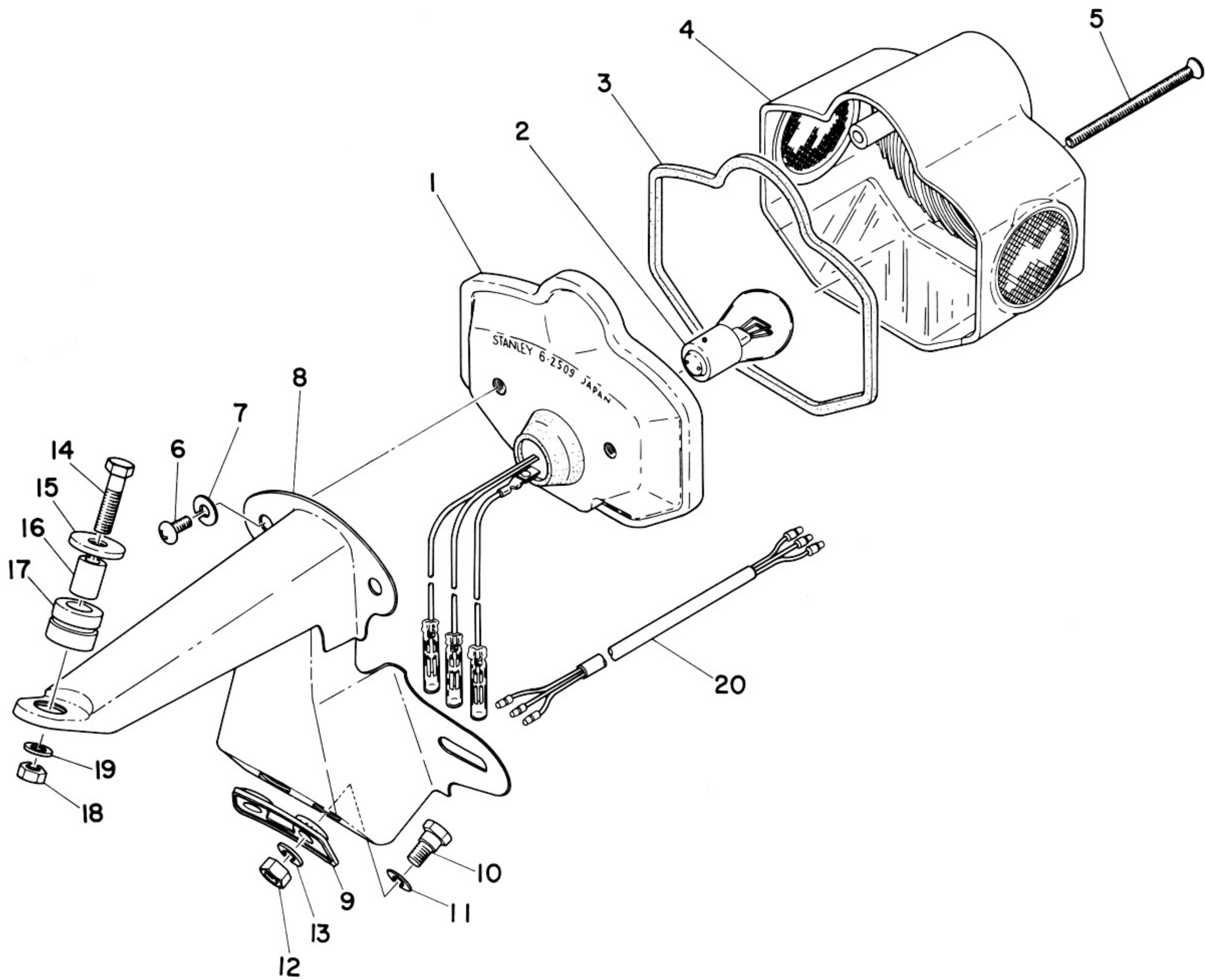
Fig. 31 SPEEDOMETER · TACHOMETER



SPEEDOMETER · TACHOMETER

Ref. No.	Part No.	Description	Q'ty	Applicable Machine No.	Remarks
31- 1	307-83510-20	SPEEDOMETER ASS'Y	1		Km/h
	307-83510-40	SPEEDOMETER ASS'Y	1		Mile/h
31- 2	123-83516-20	. BULB (12V 3W)	1		
31- 3	235-83536-21	. SOCKET, meter	1		
31- 4	307-83540-00	TACHOMETER ASS'Y	1		
31- 5	123-83516-20	. BULB (12V 3W)	3		
31- 6	252-83520-01	. SOCKET ASS'Y	1		
31- 7	307-83519-00-33	BRACKET, meter	1		
31- 8	214-83523-00	DAMPER	1		
31- 9	237-83523-00	DAMPER	1		
31-10	214-83524-00	WASHER, special	4		
31-11	156-83525-00	CLIP	4		
31-12	246-83550-00	SPEEDOMETER CABLE ASS'Y ...	1		
31-13	307-83560-00	TACHOMETER CABLE ASS'Y	1		
31-14	91201-08015	BOLT	2		
31-15	92901-08100	WASHER, spring	2		

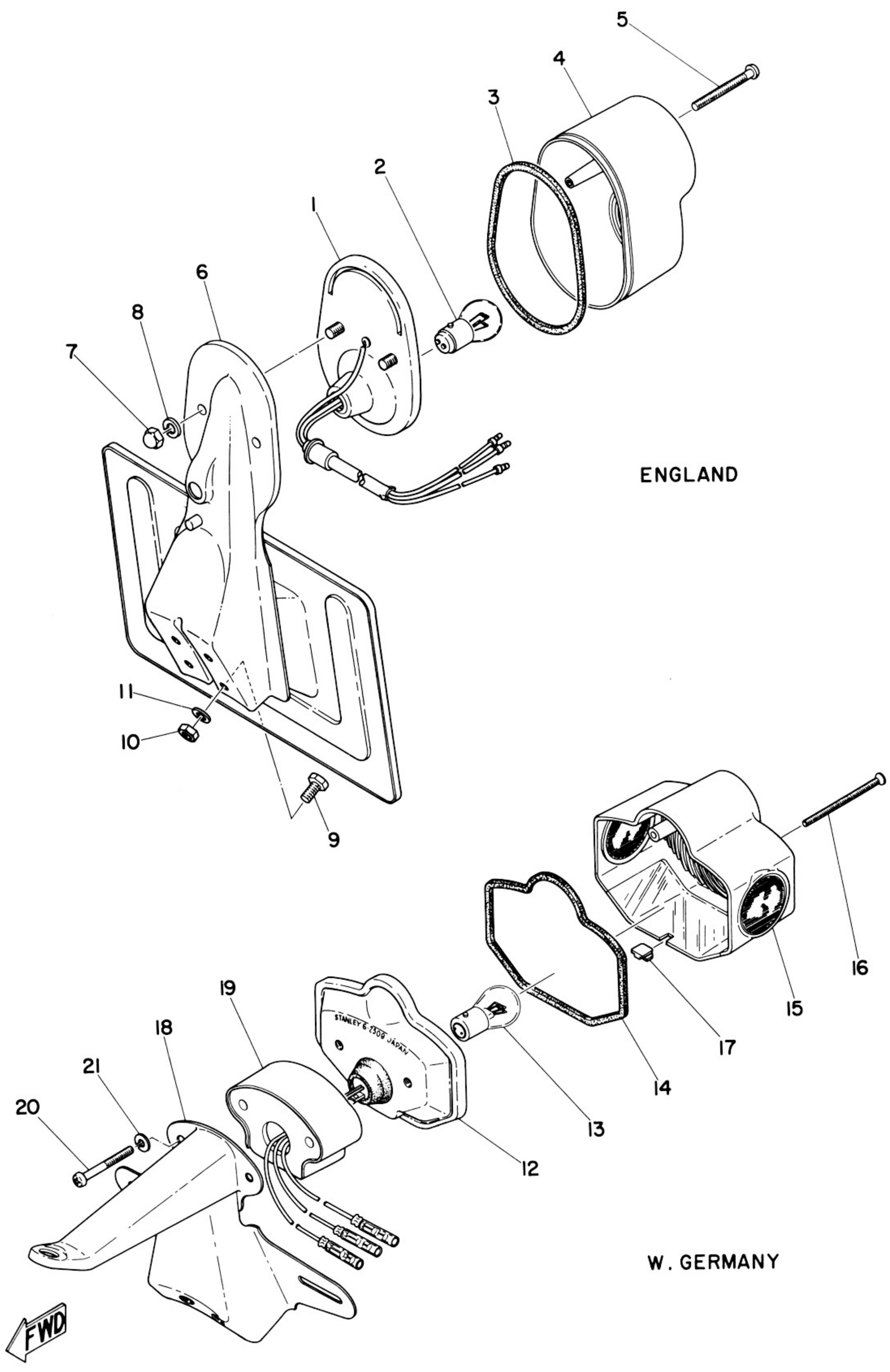
Fig. 32 TAIL LAMP 1



TAIL LAMP 1

Ref. No.	Part No.	Description	Q'ty	Applicable Machine No.	Remarks
32- 0-1	256-84710-00	TAIL LAMP UNIT ASS'Y	1		
32- 1	256-84711-60	. BASE, tail lamp	1		
32- 2	137-84714-60	. BULB (12V 23/8W)	1		
32- 3	256-84723-60	. GASKET, tail lamp	1		
32- 4	256-84721-00	. LENS, tail lamp	1		
32- 5	256-84724-60	. SCREW, lens fitting	2		
32- 6	92503-06010	. SCREW, pan head	2		
32- 7	92901-06100	. WASHER, spring	2		
32- 8	307-84751-00-35	BRACKET, license	1		Silver
32- 9	214-84553-01	DAMPER	1		
32-10	168-21738-00	BOLT A	2		
32-11	92901-08200	WASHER, plain	2		
32-12	98801-06100	NUT	2		
32-13	92901-06100	WASHER, spring	2		
32-14	91203-06025	BOLT	1		
32-15	102-28323-00	WASHER, legshield	1		
32-16	214-21633-00	COLLAR, fender mount	1		
32-17	214-21717-00	DAMPER, battery box	1		
32-18	98801-06100	NUT	1		
32-19	92901-06100	WASHER, spring	1		
32-20	214-84517-00	CORD, tail lamp	1		

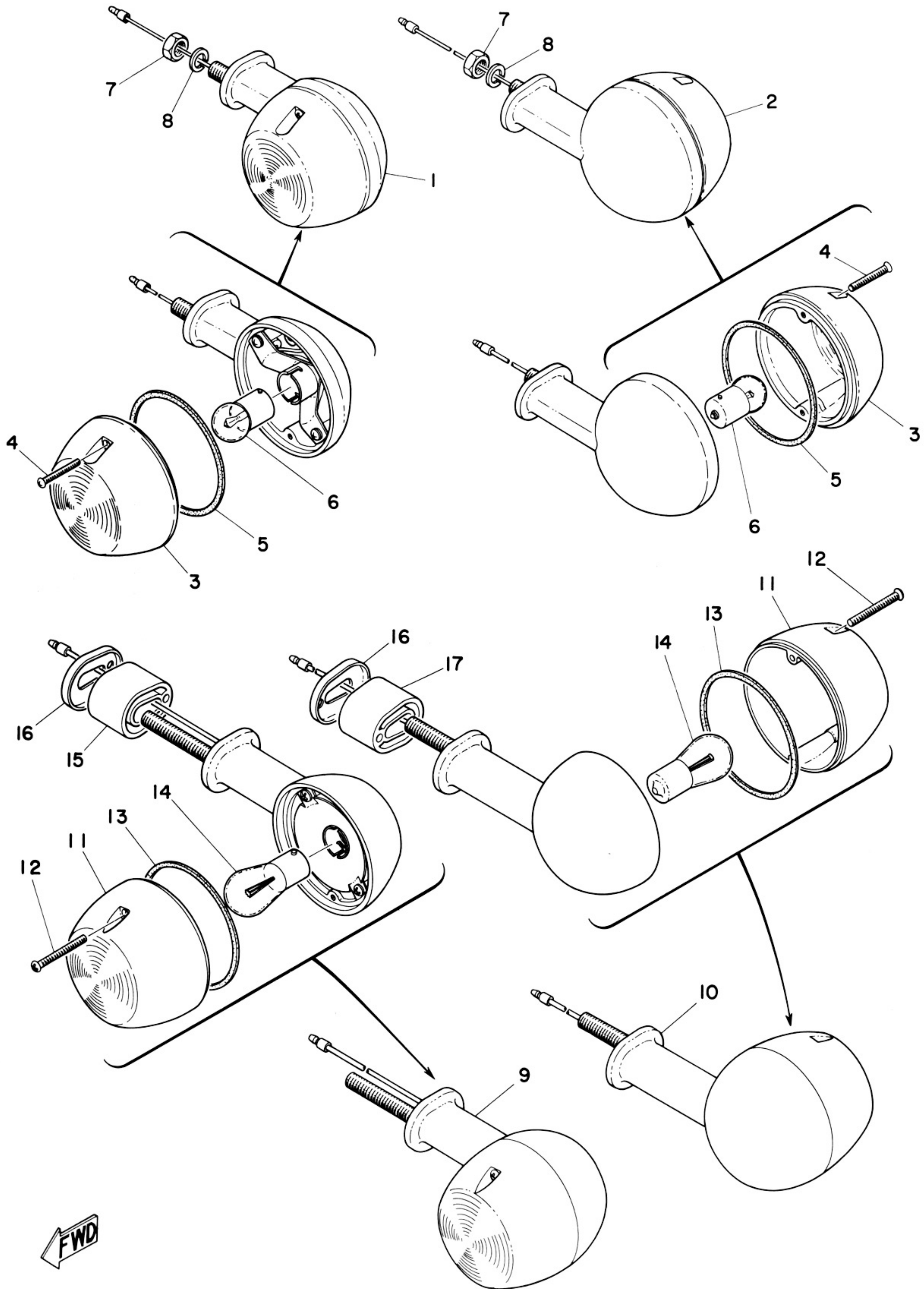
Fig. 33 TAIL LAMP 2



TAIL LAMP 2

Ref. No.	Part No.	Description	Q'ty	Applicable Machine No.	Remarks
33- 0-1	307-84710-30	TAIL LAMP UNIT ASS'Y	1		Destined for England
33- 1	307-84711-30	. BASE, tail lamp	1		
33- 2	168-84714-00	. BULB (12V 23/7W)	1		
33- 3	122-84523-30	. GASKET, tail lens	1		
33- 4	127-84521-31	. LENS, tail lamp	1		
33- 5	127-84524-30	. SCREW, lens fitting	2		
33- 6	168-84751-30-35	BRACKET, license	1		Silver
33- 7	92801-06700	NUT, crown	2		
33- 8	92901-06100	WASHER, spring	2		
33- 9	91201-06012	BOLT	4		
33-10	98801-06100	NUT	4		
33-11	92901-06100	WASHER, spring	4		
33- 0-1	278-84710-40	TAIL LAMP UNIT ASS'Y	1		Destined for W. Germany
33-12	278-84711-40	. BASE, tail lamp	1		
33-13	137-84714-60	. BULB (12V 23/8W)	1		
33-14	256-84723-60	. GASKET, tail lens	1		
33-15	278-84721-40	. LENS, tail lamp	1		
33-16	256-84724-60	. SCREW, lens fitting	2		
33-17	278-84718-40	. BUSHING	1		
33-18	256-84751-60-35	BRACKET, license	1		Silver
33-19	278-84729-40	HOLDER	1		
33-20	92503-06045	SCREW, pan head	2		
33-21	92901-06100	WASHER, spring	2		

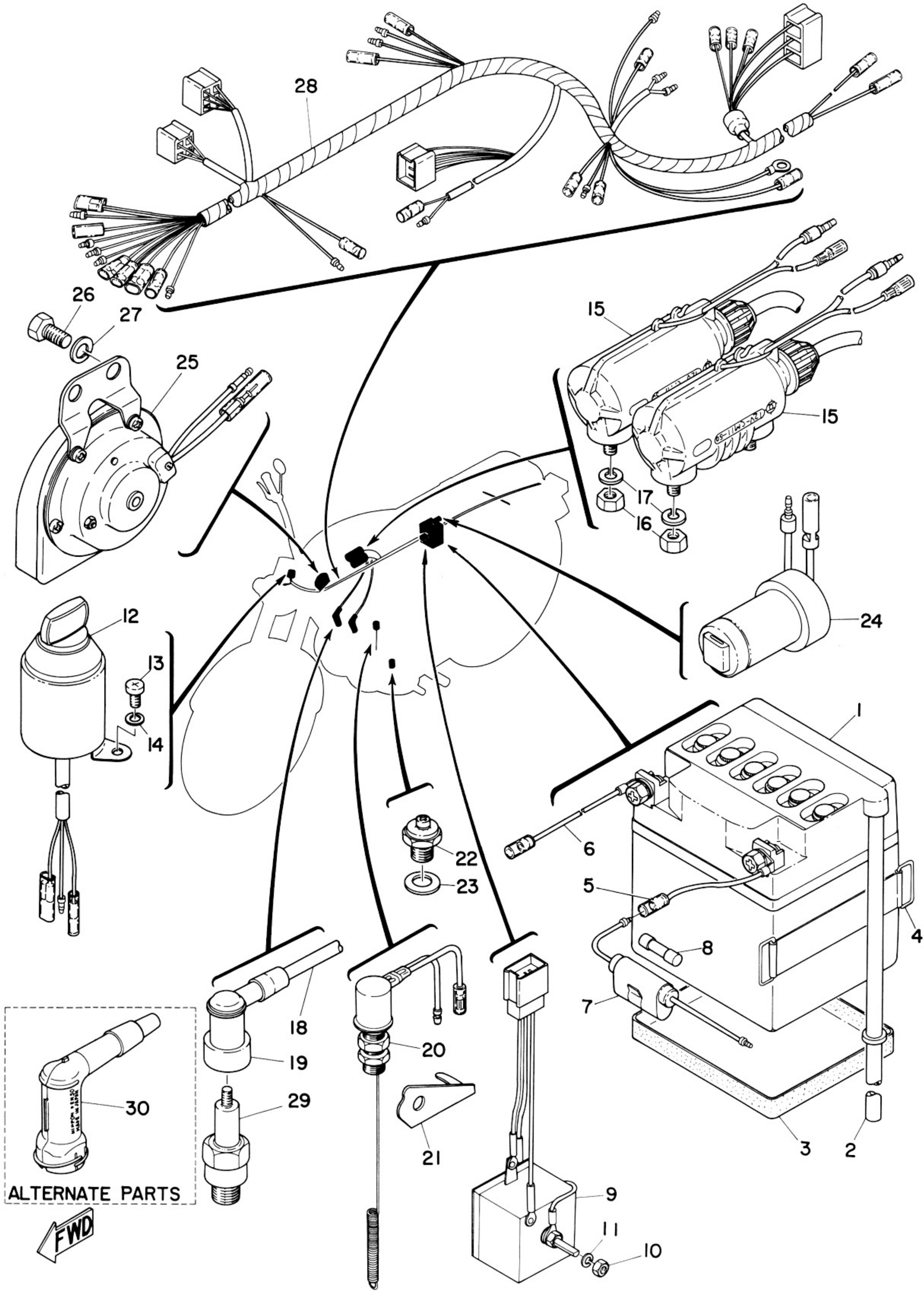
Fig. 34 FLASHER LAMP



FLASHER LAMP

Ref. No.	Part No.	Description	Q'ty	Applicable Machine No.	Remarks
34- 1	254-83310-45-93	FRONT FLASHER LAMP ASS'Y	... 2		
	261-83310-95-93	FRONT FLASHER LAMP ASS'Y	... 2		Destined for Australia
34- 2	307-83330-20-93	REAR FLASHER LAMP ASS'Y 2		
	235-83330-95-93	REAR FLASHER LAMP ASS'Y 2		Destined for Australia
34- 3	183-83332-20	. LENS, flasher 4		
34- 4	183-83333-21	. SCREW, lens fitting 8		
34- 5	183-83313-20	. GASKET, flasher lens 4		
34- 6	136-83311-20	. BULB, flasher (12V 8W) 4		
34- 7	98801-08100	NUT 4		
34- 8	92901-08100	WASHER, spring 4		
34- 9	252-83310-40-93	FRONT FLASHER LAMP ASS'Y, left 1		Destined for W. Germany
	252-83320-40-93	FRONT FLASHER LAMP ASS'Y right 1		Destined for W. Germany
34-10	252-83330-40-93	REAR FLASHER LAMP ASS'Y 2		Destined for W. Germany
34-11	183-83312-70	. LENS, flasher 4		
34-12	183-83333-71	. SCREW, lens fitting 8		
34-13	183-83313-70	. GASKET, flasher lens 4		
34-14	256-83311-70	. BULB, flasher (12V 32CP) 4		
34-15	278-83316-40	COLLAR, flasher 2		Destined for W. Germany
34-16	278-83359-40	WASHER, special 4		Destined for W. Germany
34-17	249-83316-95	COLLAR, flasher 2		Destined for W. Germany

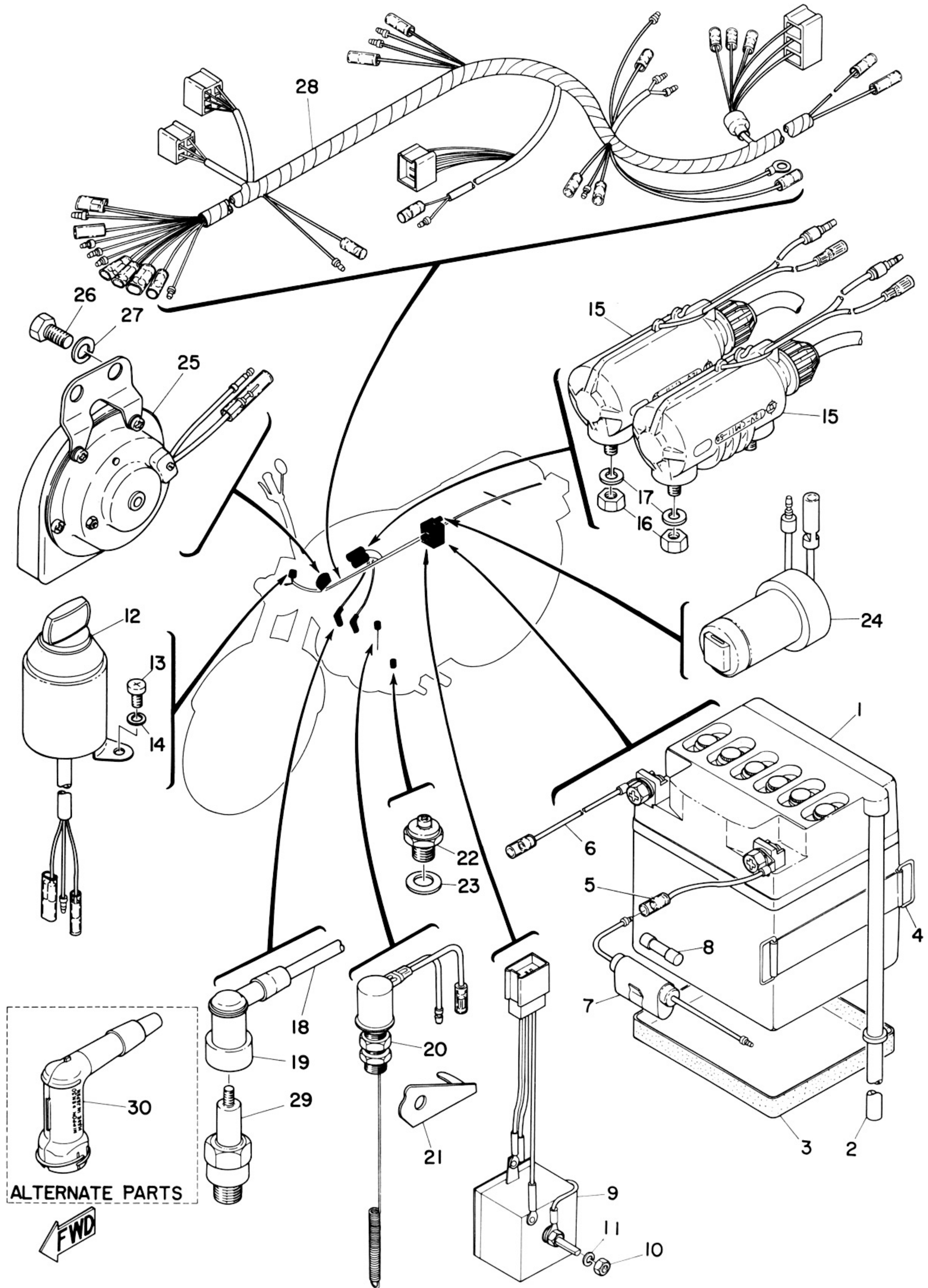
Fig. 35 ELECTRICAL



ELECTRICAL

Ref. No.	Part No.	Description	Q'ty	Applicable Machine No.	Remarks
35- 1	118-82110-71	BATTERY ASS'Y	1		
35- 2	170-82112-00	PIPE, breather (5-460)	1		
35- 3	118-82122-00	SEAT, battery	1		
35- 4	120-82131-00	BAND, battery	1		
35- 5	307-82115-00	WIRE, plus lead	1		
35- 6	307-82116-00	WIRE, minus lead	1		
35- 7	164-82150-00	FUSE HOLDER ASS'Y	1		
35- 8	148-82151-00	. FUSE	2		
35- 9	195-81970-10	RECTIFIER ASS'Y	1		
35-10	98801-05200	NUT	1		
35-11	92901-05100	WASHER, spring	1		
35-12	307-82508-30	MAIN SWITCH ASS'Y	1		
	307-82508-80	MAIN SWITCH ASS'Y	1		Destined for England & W. Germany
35-13	98501-05010	SCREW, pan head	2		
35-14	92901-05100	WASHER, spring	2		
35-15	227-82310-60	IGNITION COIL ASS'Y	2		
35-16	98801-06100	NUT	4		
35-17	92901-06100	WASHER, spring	4		
35-18	183-82341-00	CORD, high tension	2		
35-19	166-82370-20	PLUG CAP ASS'Y	2		
35-20	307-82530-00	STOP SWITCH ASS'Y	1		
35-21	307-82539-00-33	STAY, stop switch	1		
35-22	136-82540-00	NEUTRAL SWITCH ASS'Y	1		
35-23	136-82543-00	GASKET	1		

Fig. 35 ELECTRICAL



ELECTRICAL

Ref. No.	Part No.	Description	Q'ty	Applicable Machine No.	Remarks
35-24	183-83350-21	FLASHER RELAY ASS'Y	1		
	173-83350-70	FLASHER RELAY ASS'Y	1		Destined for W. Germany
35-25	183-83371-20	HORN	1		
35-26	91101-06015	BOLT	2		
35-27	92901-06100	WASHER, spring	2		
35-28	307-82590-30	WIRE HARNESS ASS'Y	1		
35-29	94701-00033	PLUG, spark (B-9HC)	2		

ALTERNATE PARTS

35-30	808-82370-10	PLUG CAP ASS'Y (with Noise Surpressor)	2		
-------	--------------	---	---	--	--





NUMERICAL INDEX



NUMERICAL INDEX

Ref No.	Parts No.	Ref No.	Parts No.	Ref No.	Parts No.
23-10	101-24356-00	18-24	122-27317-01	8- 6	132-15664-00
24- 7	101-24356-00	33- 3	122-84523-30	8- 7	132-15665-00
5-30	102-17462-00	29-10	123-83516-20	8- 8	132-15676-00
5-32	102-17463-00	31- 2	123-83516-20	4-10	132-16333-00
5-33	102-17464-00	31- 5	123-83516-20	2- 9	132-16345-00
17- 9	102-22243-00	1-19	126-11171-60	2-10	132-16346-00
26-25	102-25137-00	13- 1	126-13116-00	4- 9	132-16351-00
27-43	102-25375-00	11-24	127-14124-23	4- 2	132-16369-00
27-24	102-25412-00	11-36	127-14125-01	4- 5	132-16371-02
12- 7	102-27114-00	11-23	127-14161-00	5- 3	132-17216-00
32-15	102-28323-00	11- 4	127-14190-15	5-19	132-17216-00
26-22	109-25136-00	11- 5	127-14195-00	5- 4	132-17414-00
26- 8	109-25315-00	23-23	127-24650-00	5-18	132-17414-00
27-40	109-25373-00	33- 4	127-84521-31	5-12	132-17471-02
26-40	109-26344-00	33- 5	127-84524-30	7-10	132-18113-01
26-39	109-26345-00	5-23	131-15643-00	7- 2	132-18123-00
14- 9	110-81345-20	5-22	131-15653-00	7- 3	132-18124-00
15- 7	116-21483-00	4- 4	131-16154-00	7- 4	132-18133-00
16- 6	116-28317-01	3- 2	132-11422-03	7- 7	132-18137-00
8- 4	117-15644-00	3- 3	132-11432-03	6-14	132-18140-00
35- 1	118-82110-71	3-12	132-11511-02	6-16	132-18143-00
35- 3	118-82122-00	3-16	132-11515-01	6-15	132-18177-00
35- 4	120-82131-00	3- 9	132-11561-00-03	6-20	132-18533-01
1-13	122-11361-00	3-29	132-11634-00	23-11	132-24500-02
3- 7	122-11681-00	3- 8	132-11685-00	23-12	132-24511-02
8-12	122-15612-01	13-24	132-13166-00	23-15	132-24515-00
4-17	122-16164-00	12- 6	132-13178-01	23-20	132-24518-00
19-14	122-21582-81	11- 8	132-14146-00	23-13	132-24521-00
20-16	122-23114-00	11-31	132-14173-00	23-14	132-24522-00
20-23	122-23119-01	11-30	132-14174-00	23-21	132-24525-00
20-24	122-23129-00	12- 3	132-14613-00	23-16	132-24531-00
20-21	122-23346-00	1-11	132-15351-00	23-17	132-24523-00
21-25	122-23480-00	1-12	132-15353-00	27-13	132-25364-00
21-26	122-23483-00	1-21	132-15371-00	18-18	132-27414-00
23- 6	122-24181-00	5-10	132-15389-00	18-20	132-27416-00
23- 2	122-24610-01	8-14	132-15616-00	18-19	132-27417-00
18- 2	122-27112-00	8-15	132-15617-00	18-17	132-27422-00
18- 7	122-27116-00	4-16	132-15631-00	11-17	134-14116-12

NUMERICAL INDEX

Ref No.	Parts No.	Ref No.	Parts No.	Ref No.	Parts No.
21-28	134-23484-10	32- 2	137-84714-60	20- 7	164-23147-00
17-10	135-22243-00	33-13	137-84714-60	20-12	164-23163-00
3-18	136-11561-00-03	7-16	141-18139-00	21- 9	164-23441-00
3-18	136-11561-00-04	21-15	141-23427-00	35- 7	164-82150-00
3-18	136-11561-00-05	3-32	146-11545-00	14- 4	165-81145-21
3-18	136-11561-00-06	35- 8	148-82151-00	35-19	166-82370-20
3-18	136-11561-00-07	18-26	150-27316-00	32-10	168-21738-00
3-18	136-11561-00-08	26-34	152-25163-00	23-19	168-24524-00
21- 6	136-23415-00	26-37	152-25165-00	27-37	168-25379-00
27- 7	136-25317-00	19-12	152-84518-00	22-33	168-26337-00
35-22	136-82540-00	8-17	156-15618-01	22-34	168-26344-00
35-22	136-82543-00	21- 1	156-23411-00	24-12	168-82112-00
34- 6	136-83311-20	21- 2	156-23412-00	22-37	168-83936-01
29- 5	136-84321-00	21-16	156-23418-00	33- 2	168-84714-00
29- 4	136-84322-00	22-32	156-26346-00	33- 6	168-84751-30-35
30- 5	136-84322-00	22-27	156-26261-01	21-27	169-23480-10
13-15	137-13128-00	18-13	156-27237-00	30- 8	169-84314-10
13-11	137-13138-01	21-22	156-82523-00	30- 9	169-84346-10
13-10	137-13147-00	25- 4	156-83525-00	10- 8	170-14455-00
13-23	137-13167-00	31-11	156-83525-00	35- 2	170-82112-00
13- 4	137-13176-00	11-18	164-14137-00	19-15	173-21581-80-93
13-20	137-13187-00	11- 2	164-14141-30	17- 5	173-22151-00
11- 3	137-14143-13	11-10	164-14184-00	35-24	173-83350-70
11- 3	137-14143-14	11- 6	164-14185-00	13- 2	174-13175-00
11- 3	137-14143-15	3-25	164-16119-00	11-13	174-14122-00
11- 3	137-14143-16	4-12	164-16119-00	11-15	174-14123-00
11- 7	137-14186-00	5-25	164-17417-00	11-20	174-14131-00
6-23	137-15353-00	5- 8	164-17427-00	11-14	174-14134-00
4- 6	137-16324-00	5- 8	164-17427-00	11-19	174-14136-00
4-11	137-16337-01	5- 8	164-17427-00	11-21	174-14158-01
4-14	137-16356-00	6- 4	164-18551-00	11-25	174-14169-01
3-26	137-16377-00	6- 3	164-18552-00	11-26	174-14171-00
4-13	137-16377-00	6-11	164-18561-00	11-29	174-14178-00
21- 7	137-23454-00	6-18	164-18571-00	11- 9	174-14181-01
23-18	137-24523-00	6-17	164-18572-00	5-31	174-17461-30
27-35	137-25385-00	17- 6	164-22216-00	5-31	174-17461-40
22-24	137-26243-60	17-11	164-22241-00	5-31	174-17461-50
29- 6	137-84323-30	20- 6	164-23125-00	5-31	174-17461-60

NUMERICAL INDEX

Ref No.	Parts No.	Ref No.	Parts No.	Ref No.	Parts No.
6- 9	174-18544-00	6- 2	183-18511-00	27-21	183-25387-00
6-22	174-18558-00	6- 7	183-18513-00	27-23	183-25437-10
6-24	174-18578-00	6- 1	183-18541-01	27-23	183-25438-10
19- 4	174-21518-00-93	7-11	183-22142-10	27-23	183-25439-10
21-18	174-23421-00	17-15	183-22316-01	22- 1	183-26111-10
21-20	174-23425-00	17-13	183-22331-01	18- 5	183-27216-00
21-12	174-23443-00	17-14	183-22332-01	15-10	183-28100-01
21-21	174-23453-00	20-18	183-23111-00	14- 3	183-81421-10
23- 9	174-24312-00	20-17	183-23112-00	14- 7	183-81425-10
25-15	174-24741-00	20-20	183-23318-00	14- 8	183-81431-10
16- 7	174-28316-00	21- 4	183-23411-00	14-10	183-81432-10
8- 3	180-15641-00	21- 3	183-23412-00	14-11	183-81451-12
8- 1	180-15660-00	21-17	183-23419-00	35-18	183-82341-00
8- 2	180-15687-00	21-19	183-23422-00	34-11	183-83312-70
18-12	180-27236-00	24- 6	183-24369-00	34- 5	183-83313-20
1-17	183-11181-00	26- 7	183-25117-00	34-13	183-83313-70
3- 1	183-11412-02	26-31	183-25118-00	34- 3	183-83332-20
3- 4	183-11442-02	26-21	183-25146-00	34- 4	183-83333-21
3-14	183-11512-00	26-12	183-25147-00	34-12	183-83333-71
3-28	183-11633-00	26-14	183-25149-00	35-24	183-83350-21
3- 5	183-11651-00	26-32	183-25181-01	35-25	183-83371-20
11-16	183-14112-20	17- 4	183-25182-00	28- 6	183-84314-60
11-16	183-14113-20	26-33	183-25182-00	30- 4	183-84321-40
11-22	183-14126-00	26-30	183-25183-00	30- 6	183-84323-41
11-33	183-14196-00	27- 2	183-25304-00	29-11	183-84345-30
11-34	183-14197-01	27- 1	183-25311-00	6- 6	185-18512-00
2- 2	183-15418-01	27- 8	183-25315-00	11- 1	193-14142-20
2- 3	183-15448-00	27-14	183-25321-00	35- 9	195-81970-10
5-24	183-15651-00	27-16	183-25330-00	28- 5	195-84324-00
3-24	183-16111-00	26-17	183-25333-00	29- 7	195-84324-00
3-23	183-16136-00	27-17	183-25333-00	30- 7	195-84324-00
4-15	183-16181-00	26-19	183-25351-00	28- 8	195-84325-00
5- 7	183-17121-01	27-15	183-25351-00	29-12	195-84325-00
5- 2	183-17151-00	27-22	183-25366-01	30-11	195-84325-00
5-20	183-17251-00	27-44	183-25378-00	18-14	206-27238-00
5- 1	183-17411-00	27-29	183-25383-00	27-25	207-25411-00
5-14	183-17421-00	27-27	183-25381-00	22- 1	212-26111-00
6- 0-1	183-18500-01	27-33	183-25386-00	13-22	214-13161-01

NUMERICAL INDEX

Ref No.	Parts No.	Ref No.	Parts No.	Ref No.	Parts No.
33-18	256-84751-60-35	10- 7	307-14453-00	19-13	307-21510-80-93
20-27	256-85111-10	12- 1	307-14610-00	19- 7	307-21610-00-93
34- 1	261-83310-95-93	12- 2	307-14620-00	19- 7	307-21610-30-93
25-12	276-24748-00-33	1- 1	307-15111-00	24- 1	307-21705-00-63
13-21	278-13161-00	1- 2	307-15121-00	24- 1	307-21705-00-71
25-11	278-24728-00-33	2-24	307-15363-00	16- 1	307-21711-00-63
34-15	278-83316-40	2- 1	307-15410-00	16- 1	307-21711-00-71
34-16	278-83359-40	2-14	307-15415-00	24-13	307-21781-00
33- 2	278-84710-40	2-22	307-15416-00	16- 4	307-21782-00
33-12	278-84711-40	2-13	307-15417-00	16- 8	307-21786-00-63
33-17	278-84718-40	2-17	307-15421-00	24-15	307-21786-00-63
33-15	278-84721-40	2-25	307-15425-00	16- 8	307-21786-00-71
33-19	278-84729-40	8- 0-1	307-15610-00-93	24-15	307-21786-00-71
13-25	293-13174-00	8-11	307-15611-00	24-14	307-21791-00
22-25	306-26242-10	4- 1	307-16150-00	17- 2	307-22123-00
1-18	307-11111-00-94	4- 0-1	307-16301-00	17- 7	307-22210-00-63
1-15	307-11311-00	4- 8	307-16321-00	17- 7	307-22210-00-71
1-16	307-11321-00	4-19	307-16357-00	17-12	307-22311-00-93
1-14	307-11351-00	4- 7	307-16367-00	20- 0-1	307-23100-00-01
3-15	307-11541-00	5- 6	307-17131-00	20- 0-1	307-23100-00-56
3-30	307-11610-00	5- 5	307-17141-00	20- 0-1	307-23100-00-01
3-30	307-11610-10	5-21	307-17211-00	20- 0-1	307-23100-50-56
3-30	307-11610-20	5-15	307-17221-00	20-11	307-23122-00-93
3-27	307-11631-00-97	5-16	307-17231-00	20- 1	307-23126-00-35
3-27	307-11631-00-98	5-17	307-17241-00	20- 2	307-23136-00-35
3-27	307-11631-00-99	7- 1	307-18101-00	20- 3	307-23141-00
3-27	307-11635-00	7- 9	307-18111-00-93	20- 9	307-23145-00
3-27	307-11636-00	7-17	307-18112-00-93	20- 8	307-23150-00
13- 0-1	307-13101-00	7-15	307-18115-00-93	20-19	307-23340-00-33
11- 0-1	307-14101-00	7-14	307-18118-00	20-19	307-23340-50-33
11- 0-2	307-14102-00	2- 4	307-18188-00	21- 8	307-23435-00-98
11-32	307-14149-00	15- 1	307-21110-00-33	23- 1	307-24110-00-01
11-28	307-14175-00	15- 1	307-21110-10-33	23- 1	307-24110-00-03
11-35	307-14247-00	15- 9	307-21165-00-33	22- 3	307-24161-00
10- 1	307-14411-00-33	16- 9	307-21170-00-33	23- 4	307-24162-00
10- 2	307-14412-00-33	16-14	307-21175-00	23- 7	307-24182-00
10- 3	307-14422-00-33	15- 2	307-21315-00-33	23- 8	307-24312-00
10- 4	307-14451-00	19- 1	307-21510-00-93	24- 5	307-24319-00

NUMERICAL INDEX

Ref No.	Parts No.	Ref No.	Parts No.	Ref No.	Parts No.
25- 2	307-24726-00-33	18-22	307-27413-00	19-11	91201-06012
25- 1	307-24730-00	17-18	307-27431-00	24- 8	91201-06012
25-13	307-24768-00	17-19	307-27433-00	25- 5	91201-06012
26- 2	307-25104-00	17-20	307-27437-00	33- 9	91201-06012
26- 1	307-25111-00	14- 0-1	307-81400-10	7-18	91201-06030
26-11	307-25121-00	14- 2	307-81410-10	26-28	91201-06030
26-16	307-25130-00	14- 1	307-81450-10	16-10	91201-06045
26-13	307-25135-00	14-12	307-81452-00	16-13	91201-06070
26-20	307-25138-00	35- 5	307-82115-00	31-14	91201-08015
26-26	307-25155-00	35- 6	307-82116-00	19-16	91203-06012
26-27	307-25156-00	16-17	307-82121-00	22- 6	91203-06020
26-36	307-25161-00	35-12	307-82508-30	22-12	91203-06020
27-18	307-25355-00	35-12	307-82508-30	22-14	91203-06020
27-39	307-25371-00	35-20	307-82530-00	32-14	91203-06025
22- 1	307-26111-20	35-21	307-82539-00-33	22-18	91401-12015
22-35	307-26278-00	35-28	307-82590-30	13-16	91401-12018
22-20	307-26281-00	34- 2	307-83330-20-93	7-13	91401-16012
22-21	307-26282-00	31- 1	307-83510-20	17-22	91401-16012
22-26	307-26311-00	31- 1	307-83510-40	18-10	91401-20012
22-26	307-26311-10	31- 7	307-83519-00-33	27-46	91401-20012
22-26	307-26311-20	31- 4	307-83540-00	6- 5	91401-25020
22-28	307-26312-00	31-13	307-83560-00	17-21	91501-06035
22-29	307-26321-00	22- 3	307-83972-00	25- 3	91502-05055
22-30	307-26335-00	22- 3	307-83972-20	2- 5	91609-30014
22-30	307-26335-10	33- 0-1	307-84710-30	1- 9	91810-03014
22-30	307-26335-20	33- 1	307-84711-30	2-19	91810-03014
22-30	307-26335-40	32- 8	307-84751-00-35	1- 3	91810-08016
22-31	307-26341-00	29-18	308-84348-00	11-38	92501-05012
22-31	307-26341-10	29-19	308-84349-00	9-11	92501-06010
22-31	307-26341-20	15- 8	803-82591-00	10- 5	92501-06010
18- 1	307-27111-00	35-30	808-82380-10	5-13	92501-06012
17- 1	307-22110-00-33	22-14	933-83915-01	16-15	92501-06012
18- 6	307-27115-00	21-23	91101-06010	17-16	92501-06012
18- 3	307-27211-00-93	35-26	91101-06015	2-16	92501-06020
18- 8	307-27231-00	8-16	91101-06020	2-23	92501-06025
18-23	307-27311-00	27-19	91101-06025	2-20	92501-06030
18-15	307-27411-00	19- 8	91101-06050	2-11	92501-06035
18-16	307-27412-00	16- 2	91201-06012	2-21	92501-06040

NUMERICAL INDEX

Ref No.	Parts No.	Ref No.	Parts No.	Ref No.	Parts No.
13-17	214-13162-00	22- 0-2	233-82920-32	20-14	252-2312-00-63
13-18	214-13164-00	22-10	233-82921-31	20-14	252-23121-00-71
8-13	214-15625-00	22-11	233-83922-30	20- 5	252-23124-00
9- 6	214-17811-01	22-19	233-83980-30	20-15	252-23131-00-93
9-10	214-17812-00	17- 3	234-22141-00	20-15	252-23131-00-71
9- 9	214-17815-00	22- 2	235-26241-10	20-10	252-23144-00
9-13	214-17843-00	34- 2	235-83330-95-93	20- 4	252-23149-00
9- 8	214-17847-00	31- 3	235-83536-21	34- 9	252-83310-40-93
32-16	214-21633-00	29-17	235-84347-00	34- 9	252-83320-40-93
32-17	214-21717-00	9- 1	237-17861-00	34-10	252-83330-40-93
24-11	214-21746-00	30- 1	237-83340-60-63	31- 6	252-83520-01
24- 2	214-21761-00	30- 1	237-83340-60-71	28- 0-1	252-84310-00
24- 3	214-21771-00	31- 9	237-83523-00	30- 0-1	252-84310-40
24- 4	214-21772-00	29- 0-1	237-84310-30	28- 7	252-84312-00
25- 7	214-24718-00	29- 9	237-84312-20	30-10	252-84312-40
25-10	214-24727-00	28- 3	237-84315-00	22-36	253-26290-00
25- 9	214-24758-00	30- 3	237-84315-00	22-38	253-26290-10
25- 8	214-24776-00-33	29- 3	237-84315-30	34- 1	254-83310-45-93
27-34	214-25388-00	28- 4	237-84320-00	29- 8	255-84314-00
22- 0-1	214-82910-02	28- 1	237-84330-60-63	11-27	256-14135-00
22- 4	214-82911-01	28- 1	237-84330-60-71	34-14	256-83311-70
22- 5	214-83912-00	29- 1	237-84330-60-63	20-30	256-83329-00
22- 7	214-83913-00	29- 1	237-84330-60-71	29- 0-2	256-84301-60
22-15	214-83913-00	1-22	241-15357-00	28- 0-2	256-84301-61
31- 8	214-83523-00	2- 6	241-16341-01	30- 0-2	256-84301-61
31-10	214-83524-00	2- 8	241-16342-00	28-10	256-84347-00
39-16	214-84150-60	4-21	241-16343-00	30-13	256-84347-00
30- 2	214-84153-00	12- 6	246-14651-00	28-11	256-84350-61
28- 2	214-84153-60	21-13	246-23428-00	30-14	256-84350-61
29- 2	214-84153-60	31-12	246-83550-00	28- 9	256-84357-61
29-13	214-84157-60	5-27	248-17429-00	30-12	256-84357-61
29-15	214-84158-60	9- 2	248-17831-01	32- 0-1	256-84710-00
32-20	214-84157-00	9- 3	248-17837-00	32- 1	256-84711-60
32- 9	214-84553-01	9- 4	248-17841-00	32- 4	256-84721-00
10- 9	217-14456-00	27-28	248-25388-00	32- 3	256-84723-60
3- 0-1	218-11400-00	34-17	249-83316-95	33-14	256-84723-60
35-15	227-82310-60	2-18	252-15451-00	32- 5	256-84724-60
22- 0-2	233-82920-02	20-13	252-23116-00	33-16	256-84724-60

NUMERICAL INDEX

Ref No.	Parts No.	Ref No.	Parts No.	Ref No.	Parts No.
10-10	92501-06045	22- 9	92901-06100	13-14	93101-10001
1- 4	92501-06055	22-13	92901-06100	13- 5	93101-10002
1- 5	92501-06060	24- 9	92901-06100	7- 6	93101-12004
2-12	92501-06060	25- 6	92901-06100	26-10	93102-18008
1- 6	92501-06070	32- 7	92901-06100	3-20	93102-20010
14-14	92501-06075	32-13	92901-06100	5-29	93102-28021
1- 7	92501-06080	32-19	92901-06100	3-21	93103-28011
1- 8	92501-06120	33- 8	92901-06100	26-23	93104-07003
32- 6	92503-06010	33-11	92901-06100	2- 7	93104-11028
33-20	92503-06045	33-21	92901-06100	27-10	93104-22018
27-20	92801-06100	35-17	92901-06100	26-18	93105-47007
33- 7	92801-06700	35-27	92901-06100	27-32	93106-26005
19-19	92803-06100	1-20	92901-06200	8-10	93109-15001
17- 8	92803-10700	7-20	92901-06200	9- 7	93210-07100
11-12	92901-04100	10- 6	92901-06200	9- 5	93210-13016
14- 5	92901-04100	10-12	92901-06200	26-24	93210-14104
14- 6	92901-04200	16- 4	92901-06200	3-22	93210-18023
6-13	92901-05100	18- 9	92901-06200	27-12	93210-42101
11-39	92901-05100	18-11	92901-06200	3-16	93210-48045
13-12	92901-05100	19-10	92901-06200	27-30	93306-00406
20-28	92901-05100	24-10	92901-06200	27- 9	93306-20201
22-23	92901-05100	25-14	92901-06200	27-11	93306-20204
35-11	92901-05100	12- 5	92901-08100	26- 9	93306-30103
35-14	92901-05100	14-13	92901-08100	5-11	93306-30304
20-29	92901-05200	15- 5	92901-08100	5-28	93306-30401
22-17	92901-05200	18-28	92901-08100	3-19	93306-30405
7-19	92901-06100	19- 3	92901-08100	3-10	93306-20513
9-12	92901-06100	20-26	92901-08100	3-31	93310-11201
10-11	92901-06100	21-11	92901-08100	3- 6	93310-41809
14-15	92901-06100	27-42	92901-08100	5- 9	93315-31502
16- 3	92901-06100	31-15	92901-08100	4- 3	93341-22302
16-12	92901-06100	34- 8	92901-08100	5-26	93410-15005
16-16	92901-06100	32-11	92901-08200	8- 9	93410-15005
17-17	92901-06100	13- 7	92901-08400	26-15	93410-20009
19- 6	92901-06100	20-22	92901-10100	8- 5	93410-25017
19- 9	92901-06100	18-21	92901-10200	27-31	93420-42007
19-17	92901-06100	29-14	92901-12300	6-10	93430-03014
21-24	92901-06100	19-18	92903-06200	26-38	93430-04003

NUMERICAL INDEX

Ref No.	Parts No.	Ref No.	Parts No.	Ref No.	Parts No.
7- 8	93430-10016	32-18	98801-06100		
7-12	93430-10016	33-10	98801-06100		
18- 4	93430-12008	35-16	98801-06100		
6-19	93440-15012	4-20	98801-06300		
3-11	93450-52010	22- 8	98801-06300		
4-18	93501-04004	22-16	98801-06300		
21- 5	93501-04011	26-35	98801-06300		
6-21	93505-16006	15- 4	98801-08100		
1-10	93603-14026	27-45	98801-08100		
13- 3	93603-22028	34- 7	98801-08100		
3-13	93604-18058	27-26	98801-08200		
6- 8	93604-22050	13- 8	98801-08300		
26- 4	94125-18019	18-25	98801-08300		
27- 4	94127-18064	27-38	98801-08300		
26- 5	94225-18006	27-41	98801-08300		
27- 5	94227-18009	27-36	98801-14200		
26- 6	94325-18005	12- 4	98803-08100		
27- 6	94327-18007	21-14	98803-16200		
26- 3	94414-18034	23-22	98501-03006		
27- 3	94416-18018	23- 5	98501-04008		
27-47	94504-28110	11-11	98501-04012		
27-48	94604-28001	35-13	98501-05010		
35-29	94701-00033	2-15	98501-05012		
15- 3	97101-08050	6-12	98501-05012		
15- 6	97101-08110	13- 9	98501-05015		
19- 2	97201-08010	22-22	98501-05015		
18-27	97201-08020	13-19	98901-04008		
20-25	97201-08025				
21-10	97203-08035				
7- 5	98800-08100				
11-37	98801-05100				
13-13	98801-05200				
35-10	98801-05200				
22-16	98801-05600				
16-11	98801-06100				
19- 5	98801-06100				
26-29	98801-06100				
32-12	98801-06100				





YAMA

PARTS



YAMAHA MOTOR CO., LTD.

PRINTED IN JAPAN

First edition March, 1971