



YAMAHA

PARTS LIST

180cc
MODEL CS2E

ISO

SOME OF THE PARTS IN THIS BOOK HAVE ISO-THREADING. PLEASE MAKE SURE TO CONSULT THIS BOOK WHEN ORDERING PARTS FOR THE MOTORCYCLE DESCRIBED HEREIN.

YAMAHA MOTOR CO., LTD.



YAMAHA CS2E





SPECIFICATION

MODEL CS2E

OVERALL LENGTH	1,930mm
OVERALL WIDTH	780mm
OVERALL HEIGHT	1,085mm
WHEEL BASE	1,245mm
ROAD CLEARANCE	150mm
NET WEIGHT	118kg
BORE & STROKE	50 x 46 x 2
COMPRESSION RATIO	7.4 : 1
CYLINDER CAPACITY	180cc
MAXIMUM POWER	21ps / 7,500rpm
MAXIMUM TORQUE	2.05kg-m / 7,000rpm
SPEED RANGE	140km/h
CLIMBING ABILITY	23°
STARTING SYSTEM	Kick
FUEL TANK CAPACITY	9ℓ
OIL TANK CAPACITY	1.9ℓ
FRONT TIRE	2.75-18-4PR
REAR TIRE	3.00-18-4PR

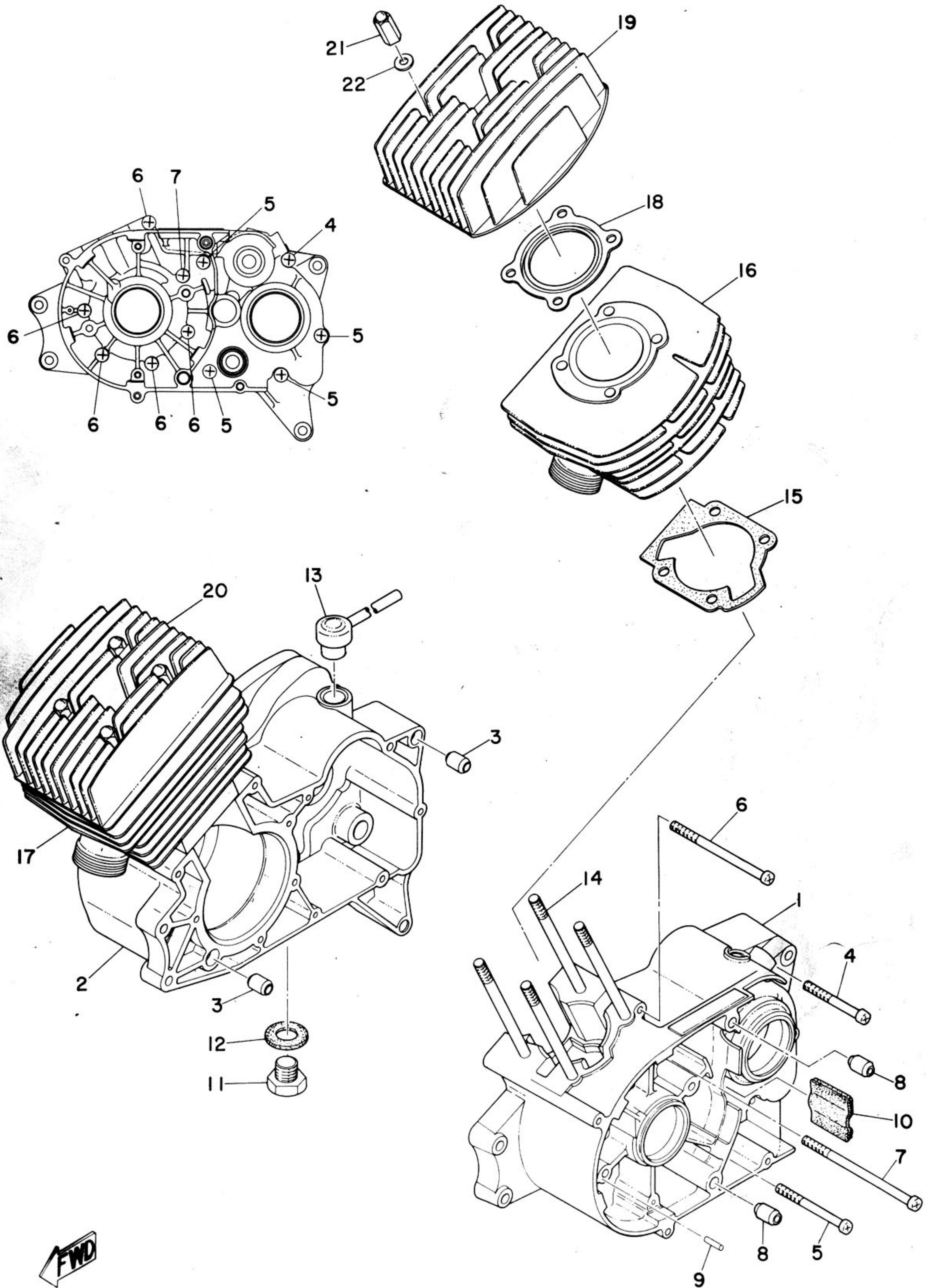


ENGINE





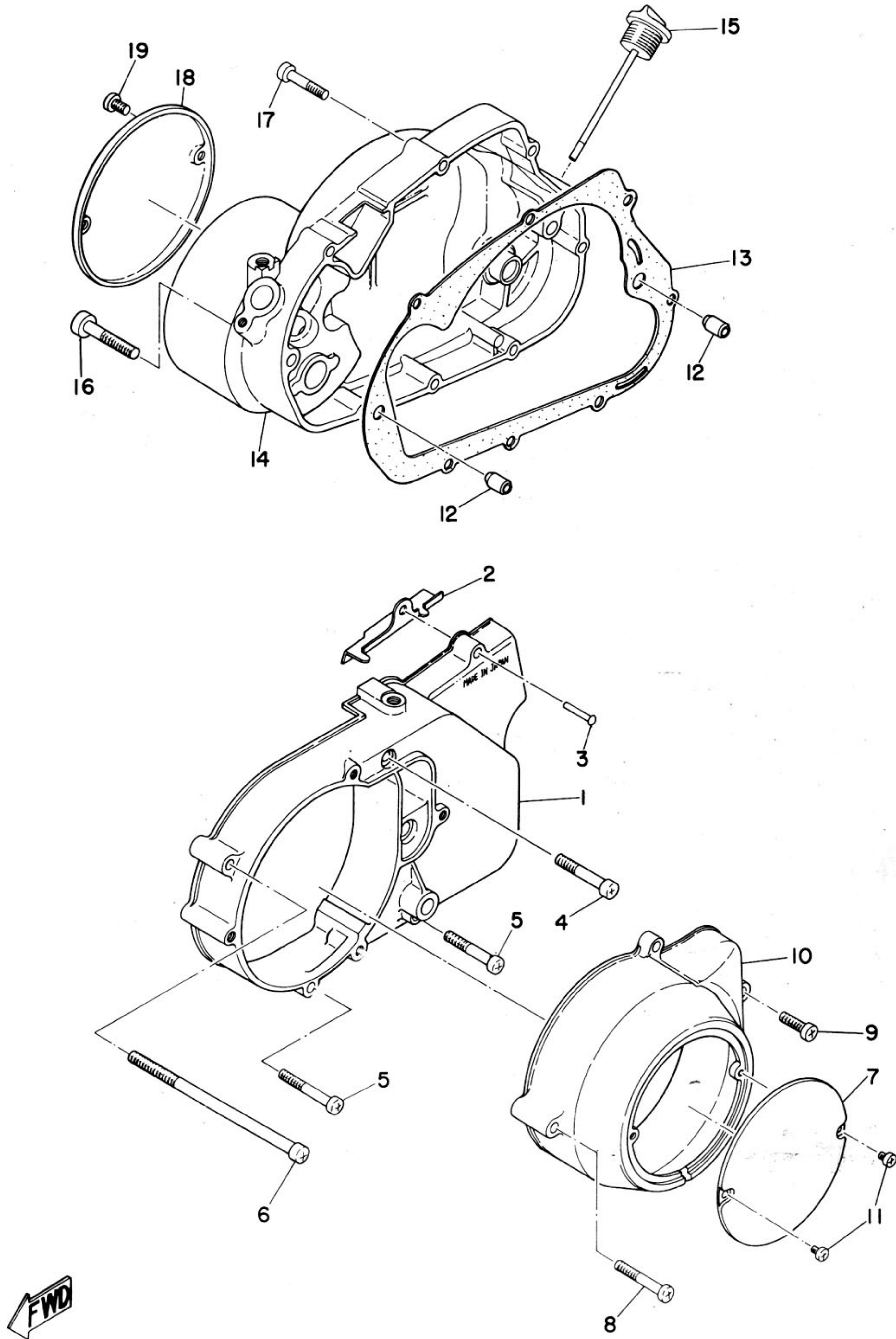
Fig. 1 CRANKCASE



CRANKCASE

Ref No.	Parts No.	Parts Name	Description	Q'ty	S·R	Remarks
1- 1	237-15111-00	CASE, crank (L.H)	ISO	1		
1- 2	237-15121-00	CASE, crank (R.H)	ISO	1		
1- 3	91810-08016	PIN, dowel	9.8-12-16	2		
1- 4	92501-06050	SCREW, pan head		1		
1- 5	92501-06060	SCREW, pan head		4		
1- 6	92501-06085	SCREW, pan head		5		
1- 7	92501-06100	SCREW, pan head		1		
1- 8	91810-03014	PIN, dowel	8.5-10-14	2		
1- 9	93603-14026	PIN, dowel	3-14	1		
1-10	241-15357-00	GROMMET		1		
1-11	132-15351-00	PLUG, drain		1		
1-12	132-15353-00	GASKET	12.5-19-1.5	1		
1-13	132-15371-00	BREATHER		1		
1-14	174-11361-00	BOLT, cylinder holding		8		
1-15	174-11351-00	GASKET, cylinder		2		
1-16	193-11311-00	CYLINDER (L.H)		1		
1-17	193-11321-00	CYLINDER (R.H)		1		
1-18	273 174 -11181-00	GASKET, cylinder head		2		
1-19	174-11111-00	HEAD, cylinder (L.H)		1		
1-20	174-11121-00	HEAD, cylinder (R.H)		1		
1-21	166-11171-60	NUT, holding		8		
1-22	131-11175-00	WASHER, holding	7.5-13-1.2	8		

Fig. 2 CRANKCASE COVER

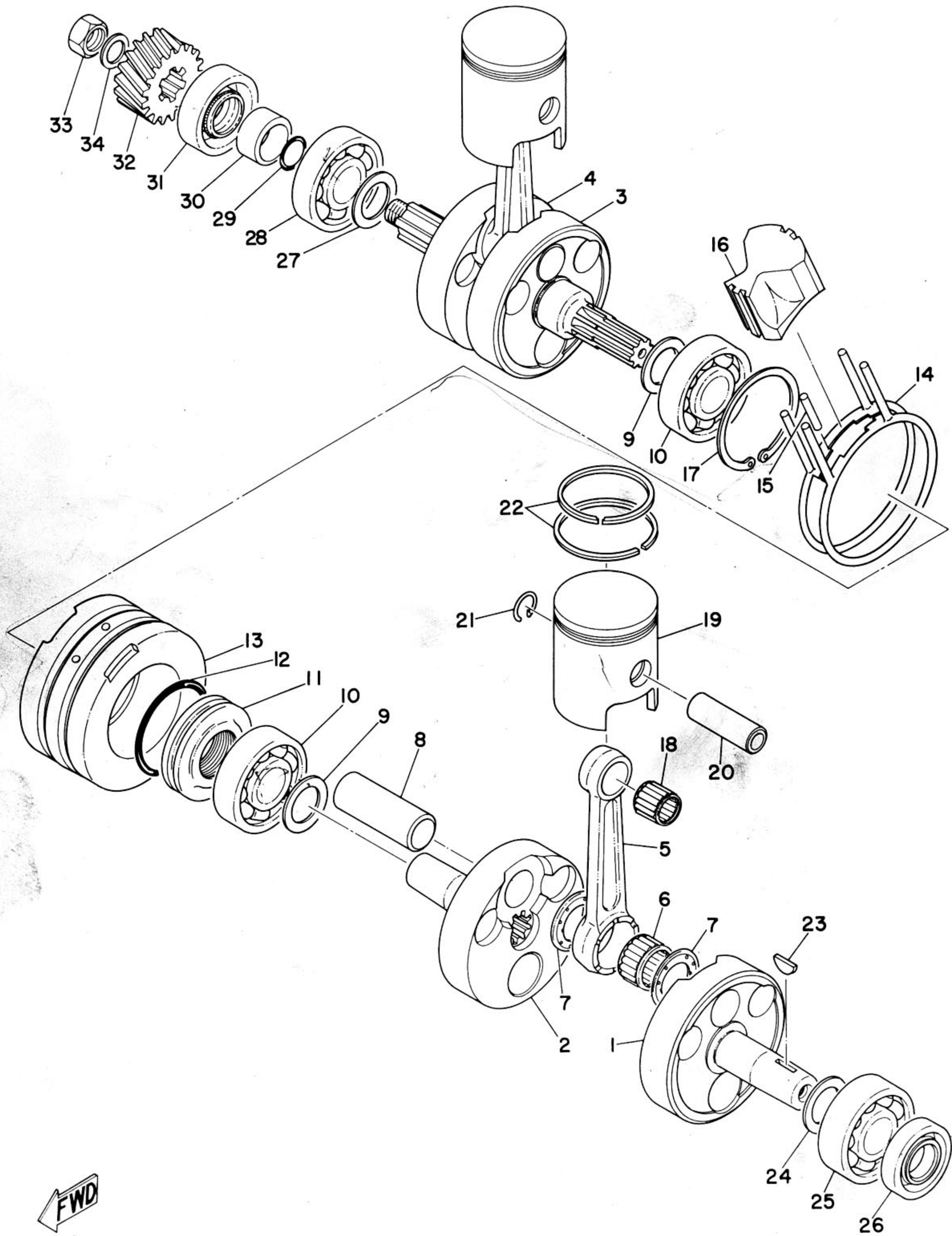


CRANKCASE COVER

Ref No.	Parts No.	Parts Name	Description	Q'ty	S·R	Remarks
2- 1	237-15410-00	CRANK CASE COVER ASS'Y(L.H)		1		
2- 2	174-15418-01	. COVER, chain case		1		
2- 3	183-15438-00	. RIVET		1		
2- 4	92501-06050	SCREW, pan head		1		
2- 5	92501-06040	SCREW, pan head		2		
2- 6	92501-06140	SCREW, pan head		1		
2- 7	164-15415-00	COVER, generator 1		1		
2- 8	92501-06040	SCREW, pan head		3		
2- 9	92501-06020	SCREW, pan head		1		
2-10	237-15425-00	COVER, generator 2	ISO	1		
2-11	98501-04005	SCREW, pan head	ISO	2		
2-12	91810-03014	PIN, dowel	8.5-10-14	2		
2-13	237-15324-00	GASKET, crankcase 2		1		
2-14	237-15421-00	COVER, crank case (R.H)		1		
2-15	174-15363-00	PLUG, oil		1		
2-16	92501-06040	SCREW, pan head		1		
2-17	92501-06035	SCREW, pan head		7		
2-18	174-15416-00	COVER, oil pump		1		
2-19	92501-06010	SCREW, pan head		2		



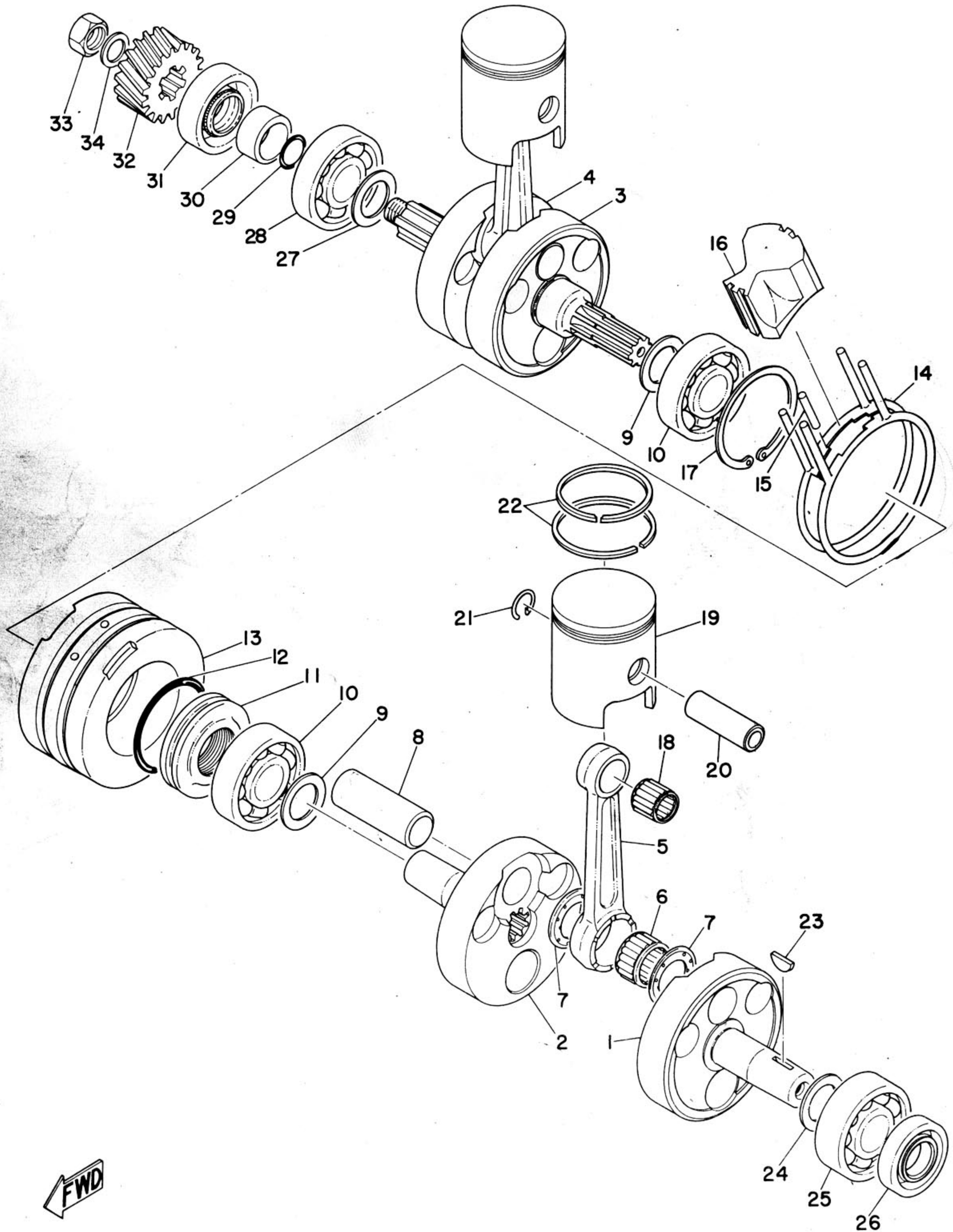
Fig. 3 CRANKSHAFT & PISTON



CRANKSHAFT & PISTON

Ref No.	Parts No.	Parts Name	Description	Q'ty	S·R	Remarks
3- 0-1	174-11400-00	CRANK ASS'Y		1		
3- 1	174-11412-00	. CRANK 1 (L.H)		1		
3- 2	174-11422-00	. CRANK 1 (R.H)		1		
3- 3	174-11432-00	. CRANK 2 (L.H)		1		
3- 4	174-11442-00	. CRANK 2 (R.H)		1		
3- 5	174 ³⁹⁷ -11651-00	. ROD, connecting		2		
3- 6	93310-42012	. BEARING, large end		2		
3- 7	174-11685-00	. WASHER, crank pin	20.2-33-1.0	4		
3- 8	174-11681-00	. PIN, crank		2		
3- 9	132-11561-00	. SHIM, crank	25.5-35-0.3	2		
3-10	93306-20504	. BEARING, crank shaft	6205C3	2		
3-11	174-11515-00	. SEAL, labyrinth		1		
3-12	93210-46044	. O-RING	3.0-46.2	1		
3-13	174-11511-01	. COVER, crank		1		
3-14	174-11512-01	. SEAL, crank cover		2		
3-15	93604-18058	. PIN, dowel	4-17.8	2		
3-16	174-11541-01	. METAL, filler		1		
3-17	93450-52010	. CIRCLIP		1		
3-18	93310-21403	BEARING, small end		2		
3-19	193-11631-01-96	PISTON (S. T. D) 96	237	}	U.R	
	193-11631-01-97	PISTON (S. T. D) 97	237			
	193-11631-01-98	PISTON (S. T. D) 98	237			
	193-11631-01-99	PISTON (S. T. D) 99	237			
	193-11631-01-01	PISTON (S. T. D) 00	237			
3-19-1	193-11631-11	PISTON (1st o. s)	0.25mm	2		
3-19-2	193-11631-21	PISTON (2nd o. s)	0.50mm	2		
3-20	131-11633-00	PIN, piston		2		
3-21	131-11634-00 ⁹³⁴⁵⁰⁻¹⁵⁰²³	CLIP, piston pin		4		
3-22	164-11601-01	PISTON RING SET		2s		
3-22-1	164-11601-11	PISTON RING SET (1st o. s)	0.25mm	2s		
3-22-2	164-11601-21	PISTON RING SET (2nd o. s)	0.50mm	2s		
3-23	146-11545-00	KEY, woodruff		1		
3-24	136-11561-00-05	SHIM, crank	20.5-30-0.5	}	U.R	
	136-11561-00-06	SHIM, crank	20.5-30-0.6			
	136-11561-00-07	SHIM, crank	20.5-30-0.7			
	136-11561-00-08	SHIM, crank	20.5-30-0.8			
3-25	93306-30403 ⁵	BEARING	6304C3	1		
3-26	93102-20010	OIL SEAL	SD-20-40-8	1		

Fig. 3 CRANKSHAFT & PISTON



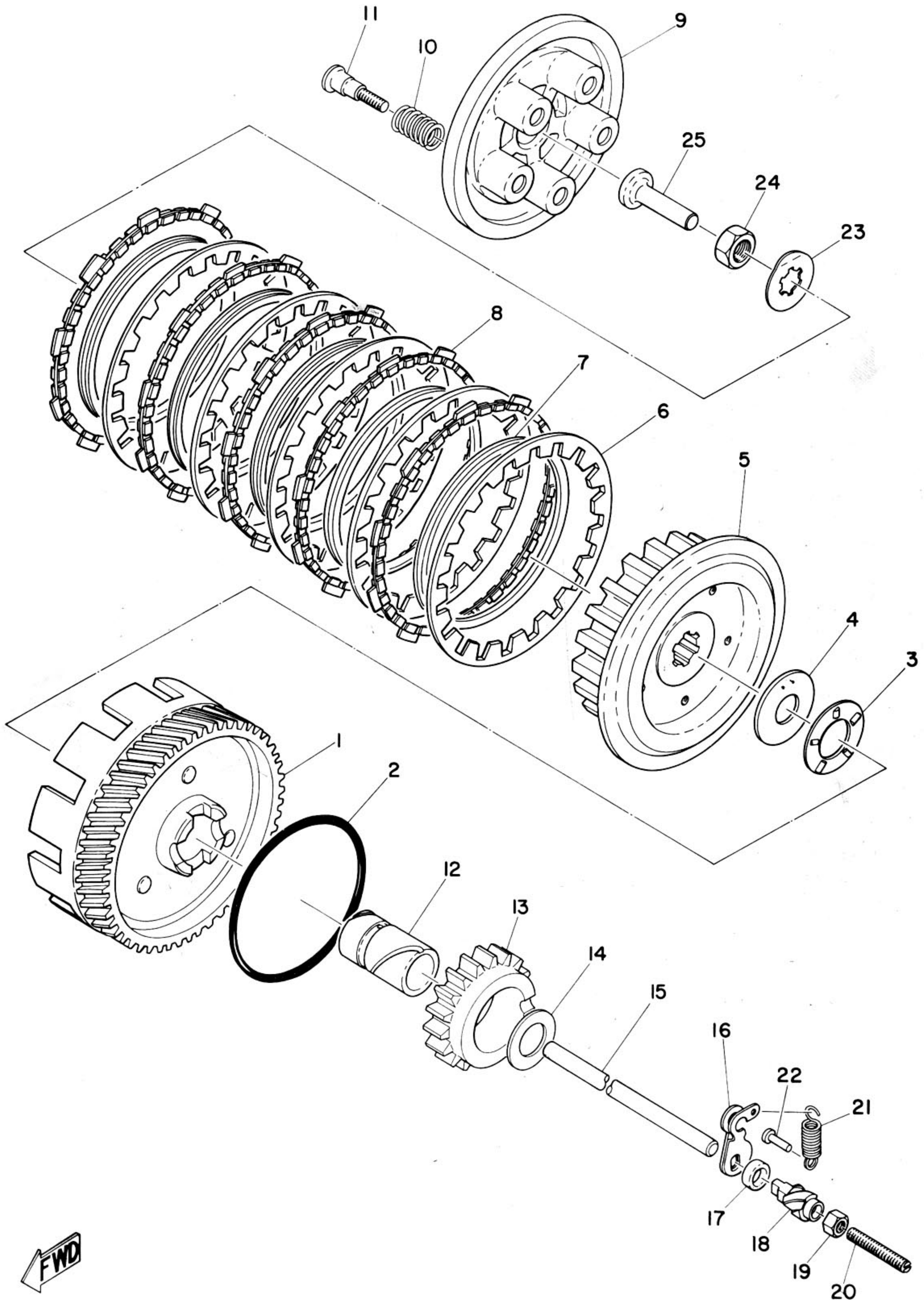
FWD

CRANKSHAFT & PISTON

Ref No.	Parts No.	Parts Name	Description	Q'ty	S·R	Remarks
3-27	156-11562-00-05	SHIM, crank	25.4-44-0.5	} U.R 1		
	156-11562-00-06	SHIM, crank	25.4-44-0.6			
	156-11562-00-07	SHIM, crank	25.4-44-0.7			
3-28	93306-30501	BEARING	6305C3	1		
3-29	93210-18023	O-RING	1.2-17.6	1		
3-30	174-11523-00	COLLAR, distance		1		
3-31	93103-32031	OIL SEAL	SW-32-48-8	1		
3-32	174-16111-00	GEAR, primary drive	16T	1		
3-33	137-16377-00	NUT, crank shaft	90170, 12060	1		
3-34	164-16119-00	SPRING, Belleville		1		



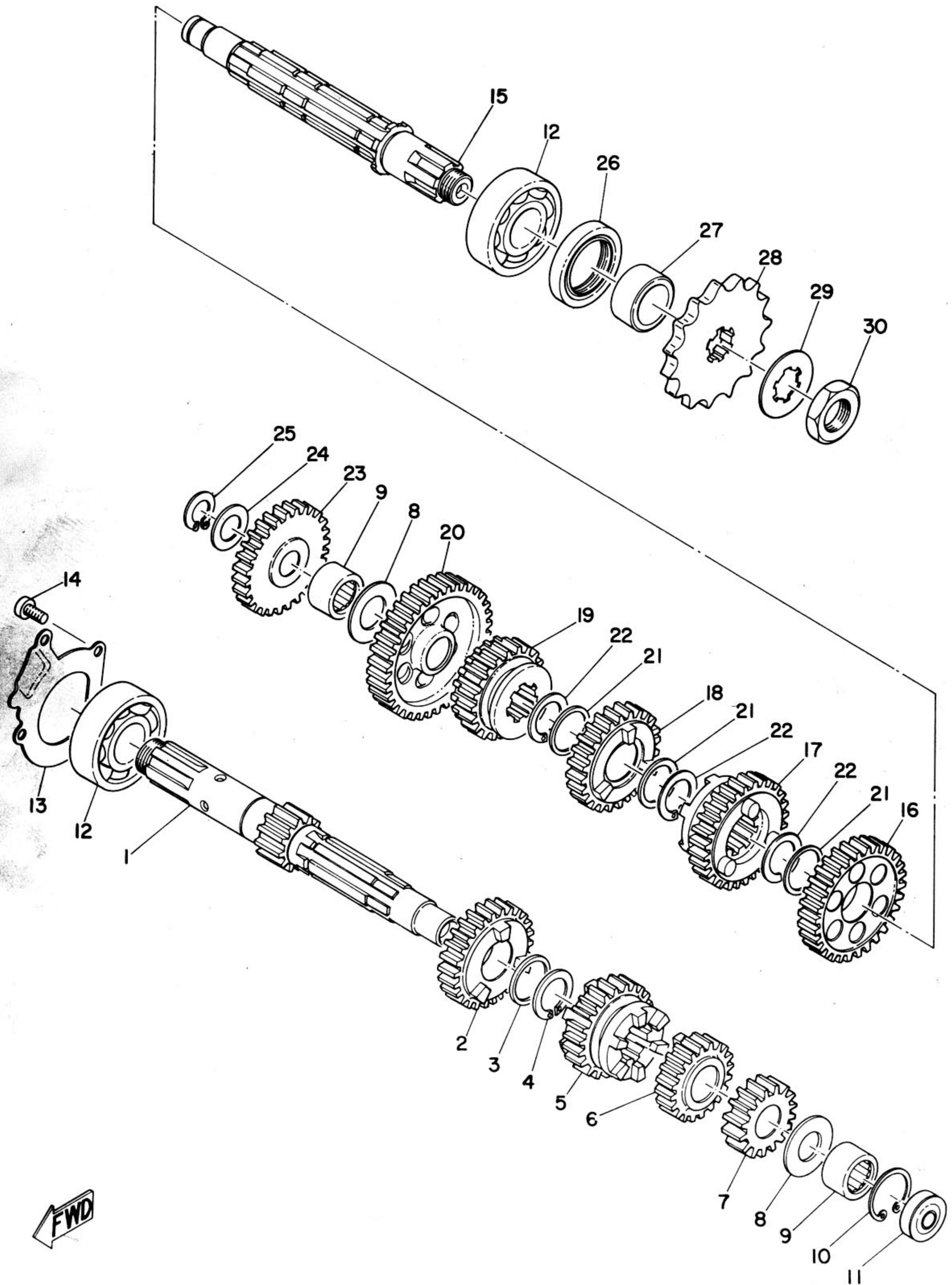
Fig. 4 CLUTCH



CLUTCH

Ref No.	Parts No.	Parts Name	Description	Q'ty	S·R	Remarks
4- 0-1	174-16301-01	CLUTCH ASS'Y	(ISO)	1		
4- 1	174-16105-00	. PRIMARY DRIVEN GEAR ASS'Y	53T	1		
4- 2	93210-85075	. O-RING	3.0-84.5	1		
4- 3	93341-22603	. BEARING, thrust		1		
4- 4	174-16154-00	. PLATE, thrust (R.H)	20-38-2.0	1		
4- 5	174-16371-01	. BOSS, clutch	(ISO)	1		
4- 6	137-16324-00	. PLATE, clutch		5		
4- 7	137-16367-00	. RING, cushion		5		
4- 8	132-16321-00	. PLATE, friction		5		
4- 9	137-16351-00	. PLATE, pressure		1		
4-10	132-16333-00	. SPRING, clutch		5		
4-11	137-16337-01	. SCREW, spring	90149-05057 (ISO)	5		
4-12	174-16176-00	COLLAR, distance		1		
4-13	174-15631-00	GEAR, kick pinion	19T	1		
4-14	174-16164-00	PLATE, thrust l (L.H)	20.2-31-2.0	1		
4-15	174-16357-00	ROD, push		1		
4-16	241-16342-00	LEVER, push l		1		
4-17	93104-09025	OIL SEAL	SO-9-15-4	1		
4-18	241-16341-00	SCREW, push		1		
4-19	92801-06300	NUT		1		
4-20	241-16343-00	SCREW, adjusting		1		
4-21	132-16345-00	SPRING, return		1		
4-22	132-16346-00	HOOK, spring		1		
4-23	102-17464-00	WASHER, lock	90215-1602	1		
4-24	102-17468-00	NUT, lock	90179 1608	1		
4-25	174-16356-00	ROD, push l		1		

Fig. 5 TRANSMISSION

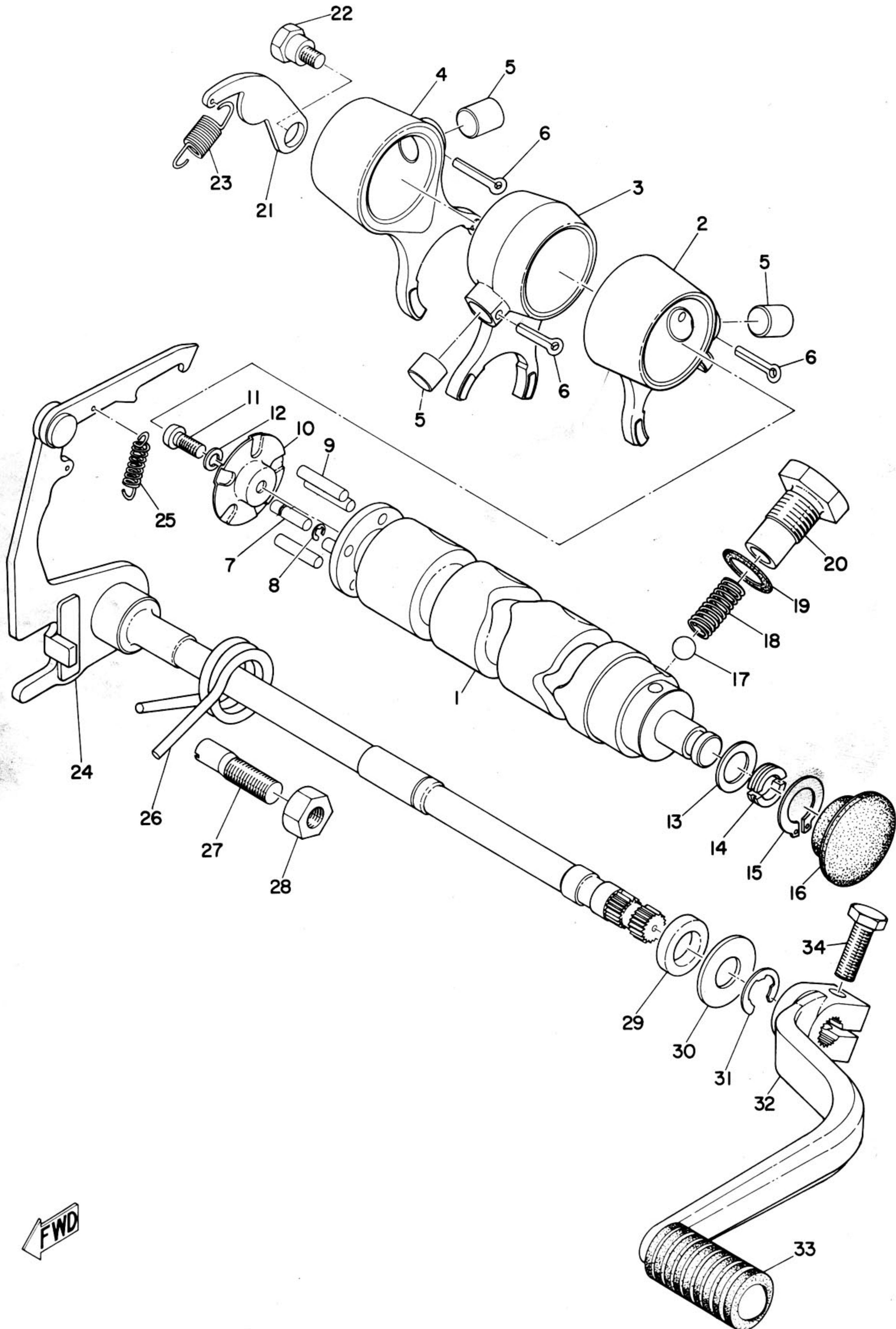


TRANSMISSION

Ref No.	Parts No.	Parts Name	Description	Q'ty	S·R	Remarks
5- 0-1	174-17401-00	MAIN AXLE ASS'Y		1		
5- 1	174-17411-00	. AXLE, main	12T	1		
5- 2	174-17151-00	. GEAR, 5th pinion	25T	1		
5- 3	132-17216-00	. WASHER, gear hold	20-25-1.0	1		
5- 4	132-17414-00	. CLIP, main axle		1		
5- 5	174-17141-00	. GEAR, 4th pinion	22T	1		
5- 6	174-17131-00	. GEAR, 3rd pinion	19T	1		
5- 7	174-17121-00	. GEAR, 2nd pinion	16T	1		
5- 8	164-17427-00-06	SHIM, drive axle	15-30-0.6	} U.R 2		
	164-17427-00-08	SHIM, drive axle	15-30-0.8			
	164-17427-00-10	SHIM, drive axle	15-30-1.0			
5- 9	93315-31501	BEARING		1		
5-10	93420-22026	CIRCLIP		1		
5-11	93315-31501 237-15389-00	SEAL, push rod		1		
5-12	93306-30401	BEARING	6304	2		
5-13	248-17471-00	PLATE, cover		1		
5-14	98501-05012	SCREW, pan head	ISO	3		
5- 0-2	174-17402-00	DRIVE AXLE ASS'Y		1		
5-15	174-17421-00	. AXLE, drive		1		
5-16	174-17221-00	. GEAR, 2nd wheel	30T	1		
5-17	174-17231-00	. GEAR, 3rd wheel	27T	1		
5-18	174-17241-00	. GEAR, 4th wheel	23T	1		
5-19	174-17251-00	. GEAR, 5th wheel	21T	1		
5-20	174-17211-00	. GEAR, 1st wheel	34T	1		
5-21	132-17216-00	. WASHER, gear hold	20-25-1.0	3		
5-22	132-17414-00	. CLIP, main axle		3		
5-23	180-15651-01	GEAR, kick idle	28T	1		
5-24	132-15653-00	WASHER, thrust	14-22-1.2	1		
5-25	93410-13004	CIRCLIP		1		
5-26	93102-28021	OIL SEAL	SD-28-44-7	1		
5-27	102-17462-00	COLLAR, distance	20-28-14	1		
5-28	174-17461-40	SPROCKET, drive	14T	} U.R 1		S. T. D
	174-17461-50	SPROCKET, drive	15T			
	174-17461-60	SPROCKET, drive	16T			
5-29	102-17464-00	WASHER, lock		1		
5-30	102-17463-00	NUT, lock		1		



Fig. 6 SHIFTER

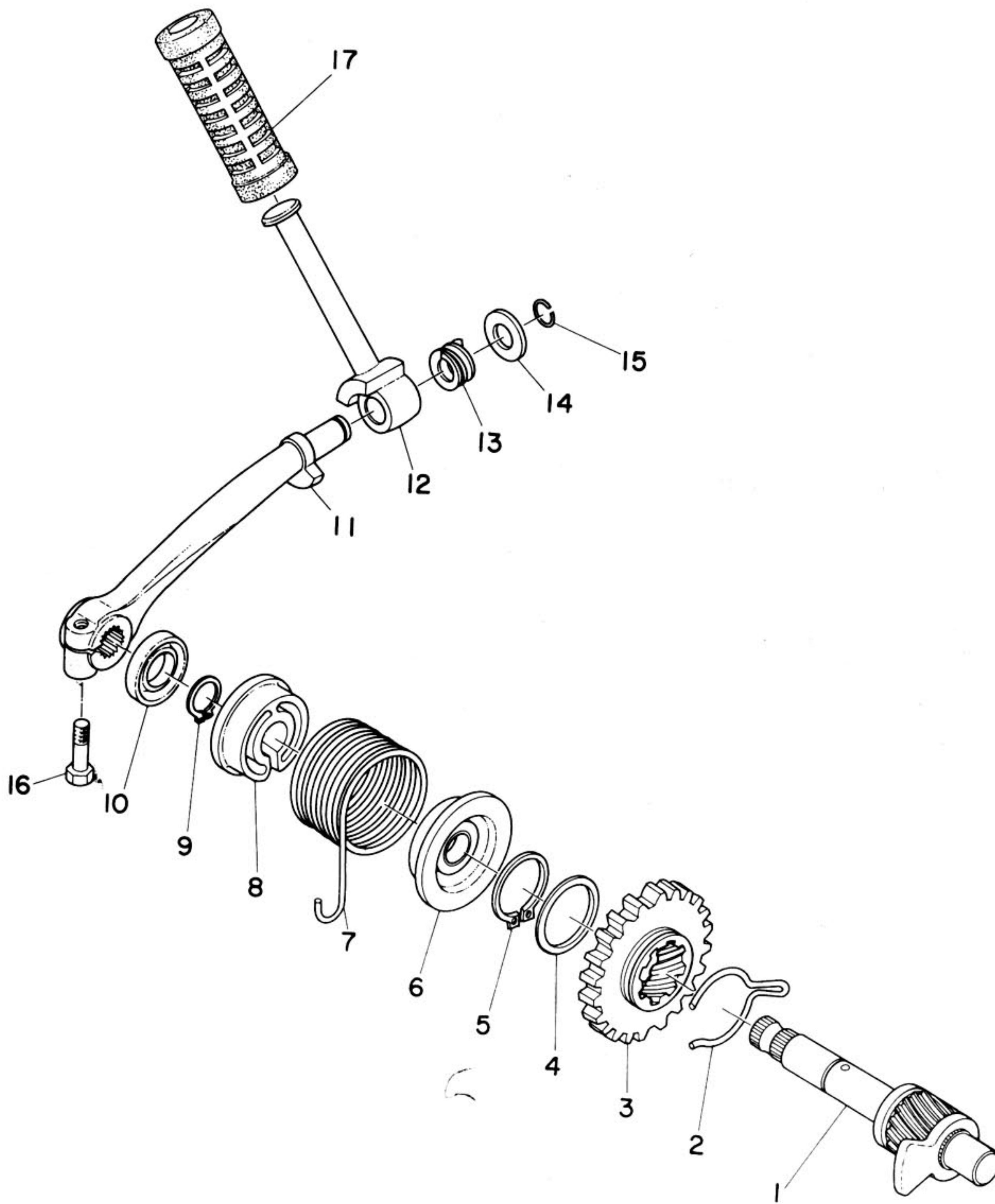


 FWD

SHIFTER

Ref No.	Parts No.	Parts Name	Description	Q'ty	S·R	Remarks
6- 0-1	174-18301-02	SHIFTER ASS'Y	ISO	1		
6- 1	174-18541-02	. CAM, shift	ISO	1		
6- 2	174-18511-00	. FORK, shift 1		1		
6- 3	174-18512-00	. FORK, shift 2		1		
6- 4	174-18513-00	. FORK, shift 3		1		
6- 5	164-18552-01	. PIN, cam follower		3		
6- 6	91401-25020	. PIN, cotter		3		
6- 7	174-18544-00	. PIN, locating		1		
6- 8	93430-03014	. CLIP, locating pin	E-2.5	1		
6- 9	93604-22050	. PIN, dowel	4-21.8	4		
6-10	164-18561-00	. PLATE, side		1		
6-11	98501-05012	. SCREW, pan head	ISO	1		
6-12	92901-05100	. WASHER, spring		1		
6-13	164-18572-00	WASHER, plain	12.1-18-1.0	1		
6-14	164-18571-00	HOLDER, shift cam		2		
6-15	93440-15012	CIRCLIP		1		
6-16	132-18533-01	PLUG, blind		1		
6-17	93505-16006	BALL,	5/16"	1		
6-18	174-18558-00	SPRING, neutral		1		
6-19	137-15353-00	GASKET		1		
6-20	174-18578-00	SCREW, spring		1		
6-21	132-18148-01	LEVER, stopper		1		
6-22	132-18177-00	BOLT, stopper		1		
6-23	132-18143-00	SPRING, stopper		1		
6-24	174-18101-01	CHANGE SHAFT ASS'Y		1		
6-25	132-18123-00	SPRING, shift arm		1		
6-26	132-18124-00	SPRING, shaft return		1		
6-27	132-18133-00	SCREW, adjusting		1		
6-28	98801-08100	NUT	ISO	1		
6-29	93101-12004	OIL SEAL	S12-22-5	1		
6-30	132-18137-00	WASHER, change axle	12.1-26-1.6	1		
6-31	93430-10016	CIRCLIP	E-10	1		
6-32	173-18111-01	PEDAL, change		1		
6-33	132-18113-01	COVER, change pedal		1		
6-34	91101-06020	BOLT		1		

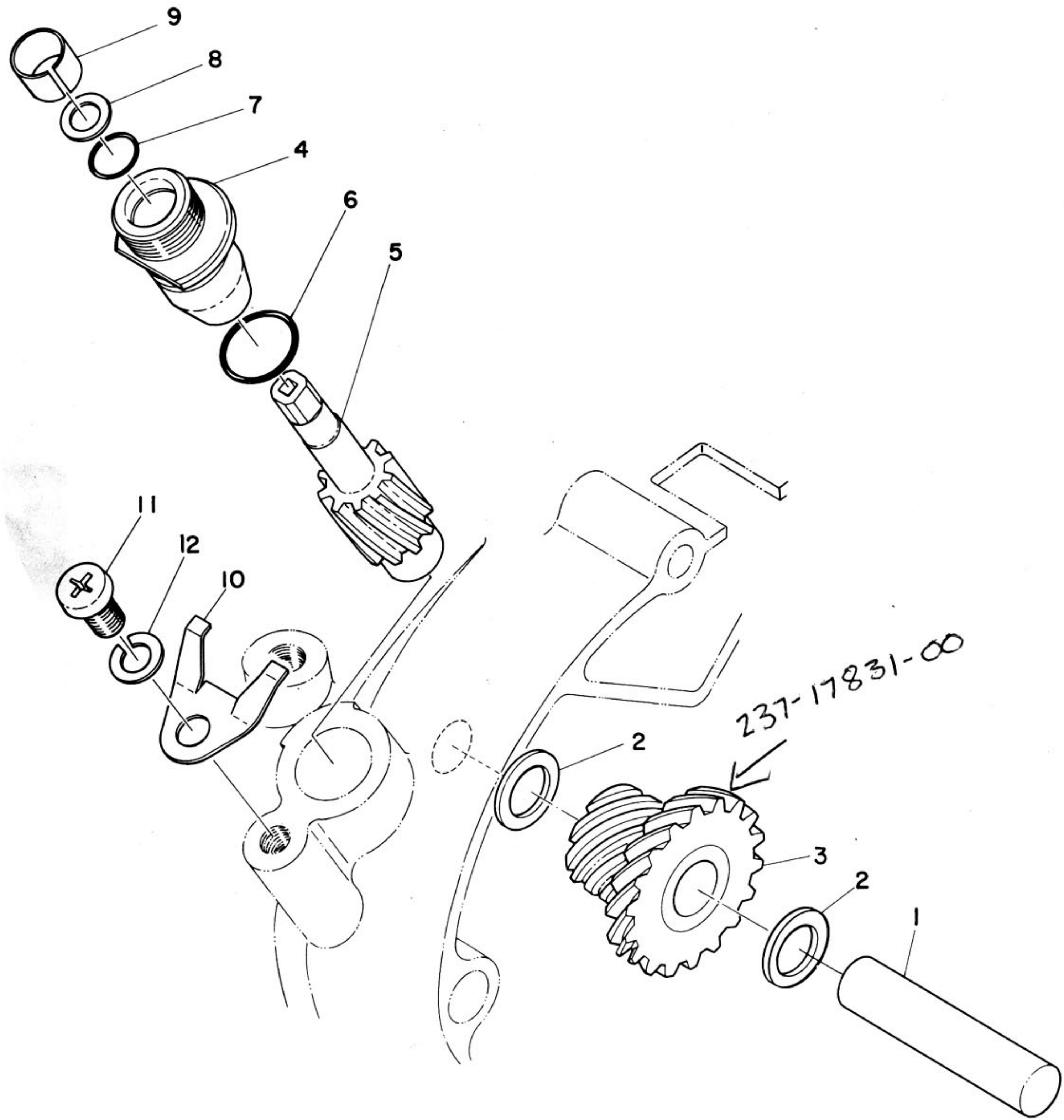
Fig. 7 KICK



KICK

Ref No.	Parts No.	Parts Name	Description	Q'ty	S·R	Remarks
7- 1	180-1566 2 -00	AXLE, kick		1		
7- 2	180-15687-00	CLIP, kick gear		1		
7- 3	180-15641-00	GEAR, kick	28 T	1		
7- 4	117-15644-00	SHIM	25.1-32-1.2	1		
7- 5	93410-25017	CIRCLIP		1		
7- 6	132-15664-00	GUIDE, kick spring		1		
7- 7	132-15665-00	SPRING, kick 90508-26136		1		
7- 8	132-15676-00	COVER, kick spring		1		
7- 9	93410-15005	CIRCLIP	C-15	1		
7-10	93109-15001	OIL SEAL	SDO-15-26	1		
7- 0-1	132-15610-01	KICK CRANK ASS'Y	-6	1		
7-11	132-15611-01	. CRANK, kick		1		△
7-12	122-15612-01	. LEVER, kick		1		
7-13	214-15625-00	. SPRING, kick crank l		1		
7-14	132-15616-00	. WASHER, kick lever	10-18.2-2	1		
7-15	132-15617-00	. CLIP, kick lever		1		
7-16	91101-06020	BOLT		1		
7-17	156-15618-01	COVER, kick lever		1		

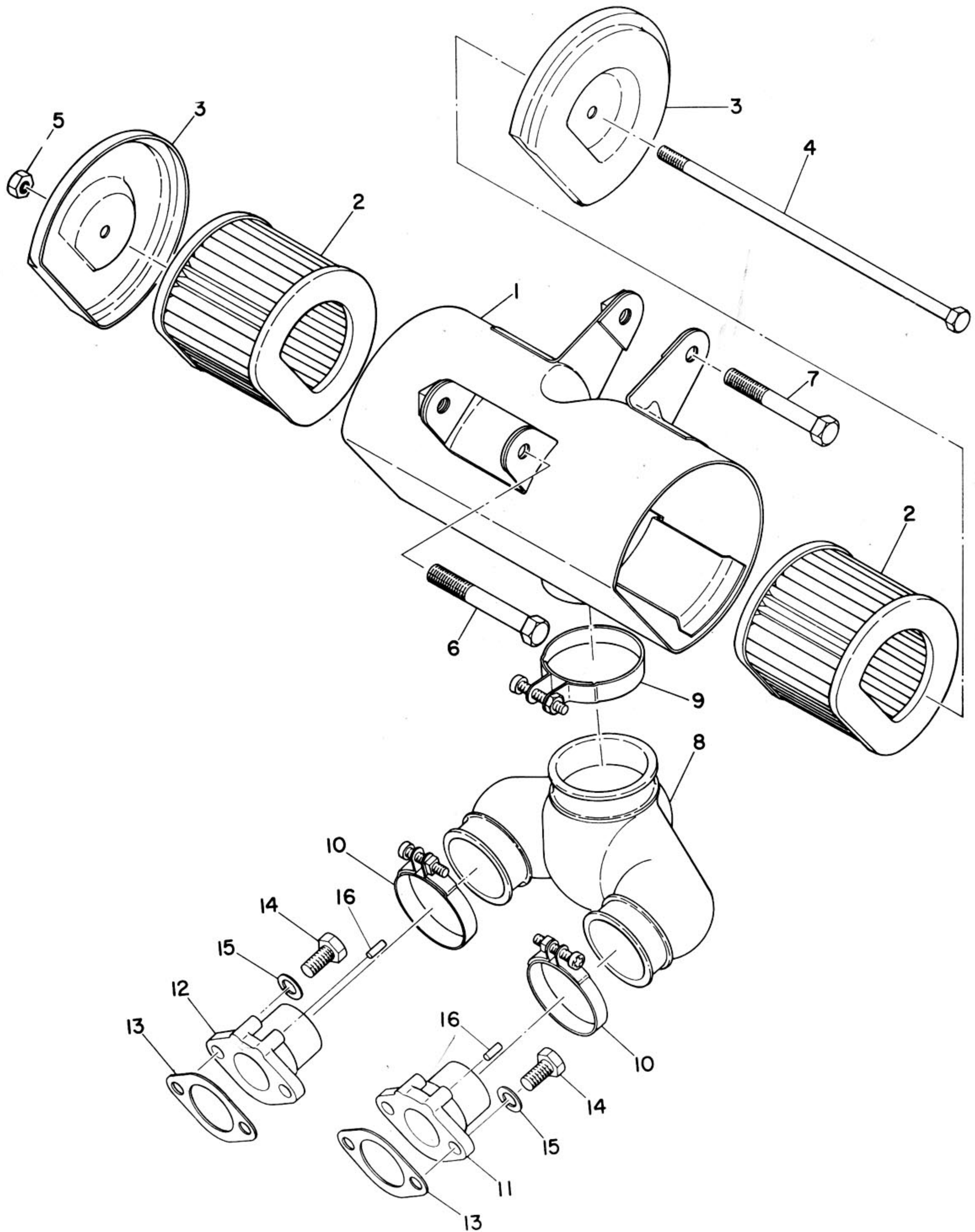
Fig. 8 TACHOMETER GEAR



TACHOMETER GEAR

Ref No.	Parts No.	Parts Name	Description	Q'ty	S·R	Remarks
8- 1	237-17861-00	AXLE, drive gear		1		
8- 2	214-17837-00	SHIM	10.2-16-1	2		
8- 3	248 ²³⁷ -17830-00	DRIVE GEAR ASS'Y		1		
8- 4	214-17811-01	HOUSING		1		
8- 5	248-17841-00	GEAR, driven		1		
8- 6	93210-13016	O-RING	1.8-13	1		
8- 7	93210-07100	O-RING	2.2-7.2	1		
8- 8	214-17847-00	SHIM	7.5-10.8-0.4	1		
8- 9	214-17815-00	BUSHING		1		
8-10	214-17812-00	STOPPER		1		
8-11	92501-06010	SCREW, pan head		1		
8-12	92901-06100	WASHER, spring		1		

Fig. 9 AIR CLEANER



AIR CLEANER

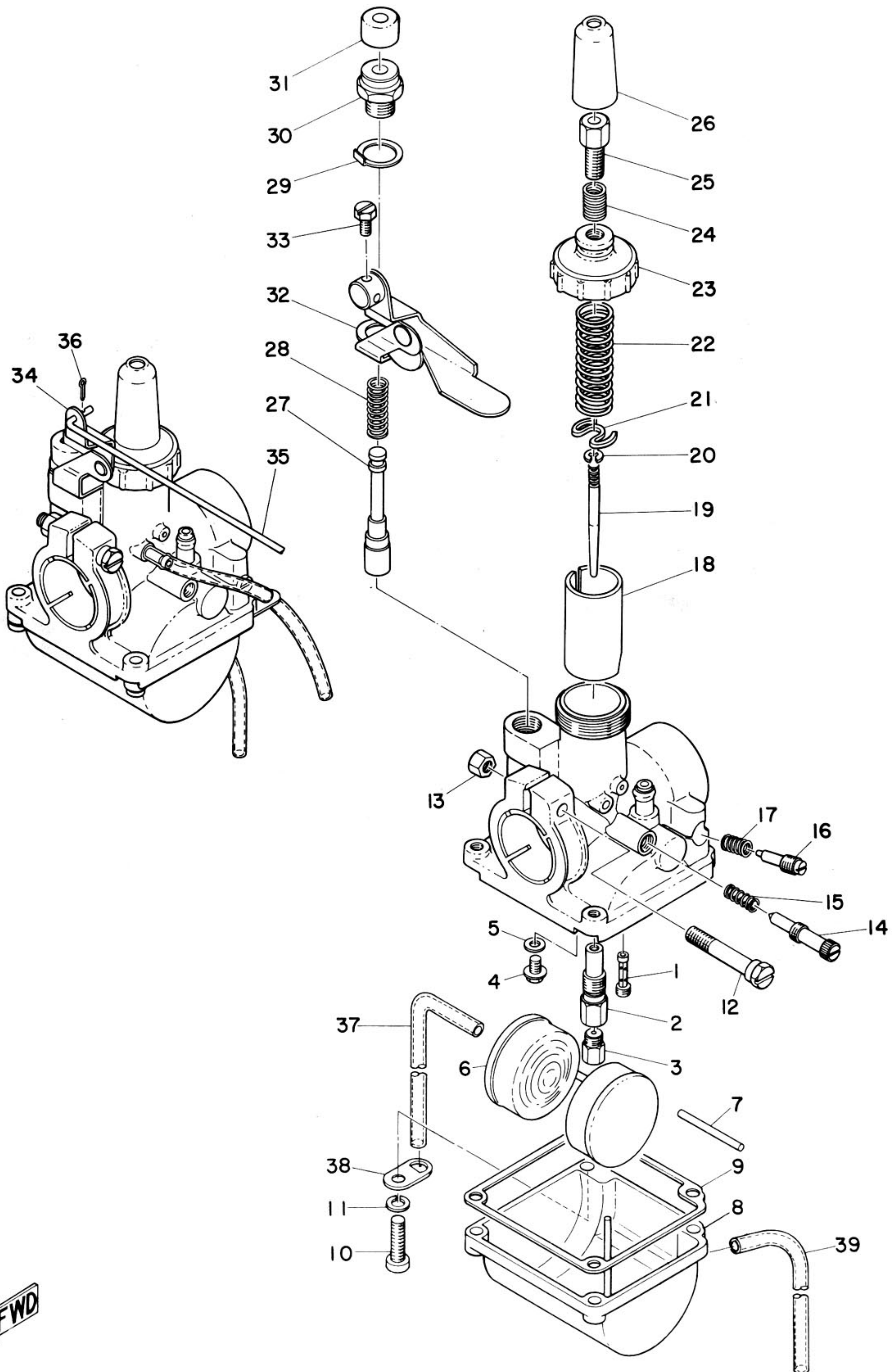
Ref No.	Parts No.	Parts Name	Description	Q'ty	S·R	Remarks
9- 1	174-14411-01-33	CASE, air cleaner		1		
9- 2	174-14451-00	ELEMENT, air cleaner		2		
9- 3	174-14412-00-33	CAP, case		2		
9- 4	174-14428-00	BOLT		1		
9- 5	92803-06100	NUT		1		
9- 6	97201-08060	BOLT	ISO	1		
9- 7	97201-08065	BOLT	ISO	1		
9- 8	193-14453-00	JOINT, air cleaner		1		
9- 9	174-14456-01	BAND 2	ISO	1		
9-10	194-14455-00	BAND 1	ISO	2		
9-11	193-13555-60	JOINT, carburetor (L.H)		1		
9-12	193-13565-60	JOINT, carburetor (R.H)		1		
9-13	174-13556-01	GASKET		2		
9-14	91201-06015	BOLT		4		
9-15	92901-06100	WASHER, spring		4		
9-16	93601-10061	PIN, dowel	2-9.8	2		



CARBURETOR

Ref No.	Parts No.	Parts Name	Description	Q'ty	S·R	Remarks
10- 0-1	193-14101-61	CARBURETOR ASS'Y (L.H)	ISO	1		
10- 0-2	193-14102-61	CARBURETOR ASS Y (R.H)	ISO	1		
10- 1	193-14142-30	. JET, pilot	#30 ISO	2		
10- 2	174-14141-26	. NOZZLE, main	N-6	2		
10- 3	137-14143-11	. JET, main	#55	2		
10- 3-1	137-14143-12	. JET, main	#60	2		
10- 3-2	137-14143-13	. JET, main	#65	2		S. T. D
10- 3-3	137-14143-14	. JET, main	#70	2		
10- 3-4	137-14143-15	. JET, main	#75	2		
10- 4	127 ³⁵³ -14190-15	. VALVE SEAT ASS'Y	#1.5	2		
10- 5	127-14195-00	. WASHER, valve seat		2		
10- 6	193-14185-00	. FLOAT		2		
10- 7	137-14186-00	. PIN, float		2		
10- 8	174-14181-01	. BODY, float chamber		2		
10- 9	164-14184-00	. GASKET, float chamber		2		
10-10	98501-04015	. SCREW, pan head	ISO	8		
10-11	92901-04100	. WASHER, spring		8		
10-12	137-14125-00	. SCREW, body fitting		2		
10-13	92801-06100	. NUT		2		
10-14	174-14122-00	. SCREW, throttle		2		
10-15	174-14134-00	. SPRING, throttle stop		2		
10-16	174-14123-00	. SCREW, air adjusting		2		
10-17	174-14134-00	. SPRING, air adjusting		2		
10-18	193-14112-25	. VALVE, throttle (L.H)	#2.5	1		
10-18-1	193-14113-25	. VALVE, throttle (R.H)	#2.5	1		
10-19	156-14116-10	. NEEDLE	4D10-3	2		
10-20	164-14137-00	. CLIP		2		
10-21	137-14136-00	. SEAT, spring		2		
10-22	152-14131-00	. SPRING, throttle valve		2		
10-23	193-14158-00	. TOP, mixing chamber		2		
10-24	193-14133-00	. SPRING, wire adjusting		2		
10-25	193-14124-26	. SCREW, wire adjusting	26l	2		
10-26	174-14169-01	. CAP		2		
10-27	174-14171-00	. PLUNGER, starter		2		
10-28	132-14135-00	. SPRING, plunger		2		
10-29	174-14178-00	. PLATE, starter lever		1		(L.H)
10-30	132-14174-00	. CAP, plunger		2		
10-31	132-14173-00	. COVER, plunger cap		2		

Fig. 10 CARBURETOR

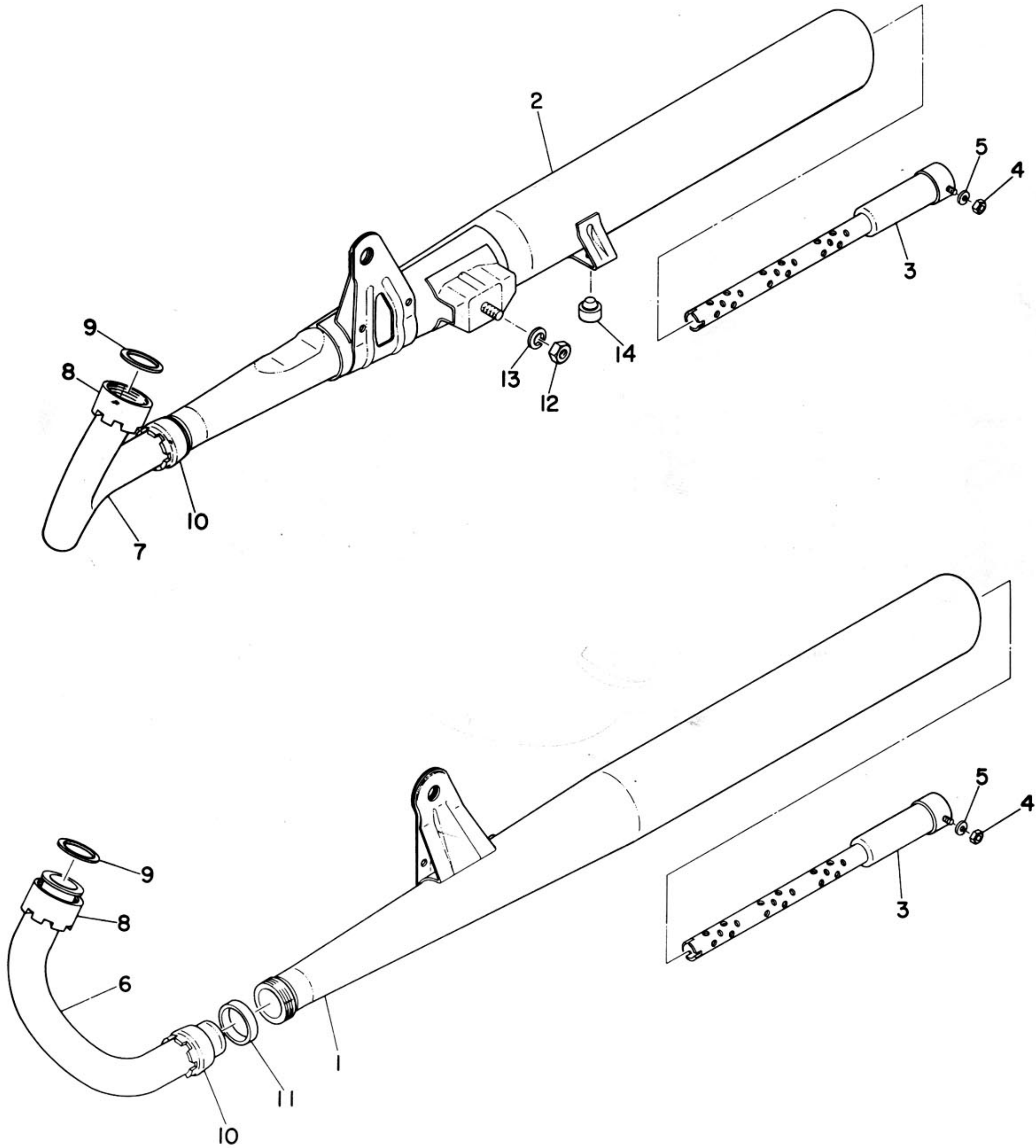


FWD

CARBURETOR

Ref No.	Parts No.	Parts Name	Description	Q'ty	S·R	Remarks
10-32	193-14175-01	. LEVER, starter (L.H)	ISO	1		
10-33	193-14486-00	. SCREW, rod	ISO	1		(L.H)
10-34	193-14176-00	. LEVER, starter (R.H)		1		
10-35	174-14177-00	. ROD, starter lever		1		(R.H)
10-36	91405-12006	. PIN, cotter		1		(R.H)
10-37	183-14197-01	. PIPE, air vent	3φ-5φ-220ℓ	2		
10-38	132-14146-00	. PLATE		2		
10-39	183-14196-00	. PIPE, over flow	3φ-5φ-160ℓ	2		

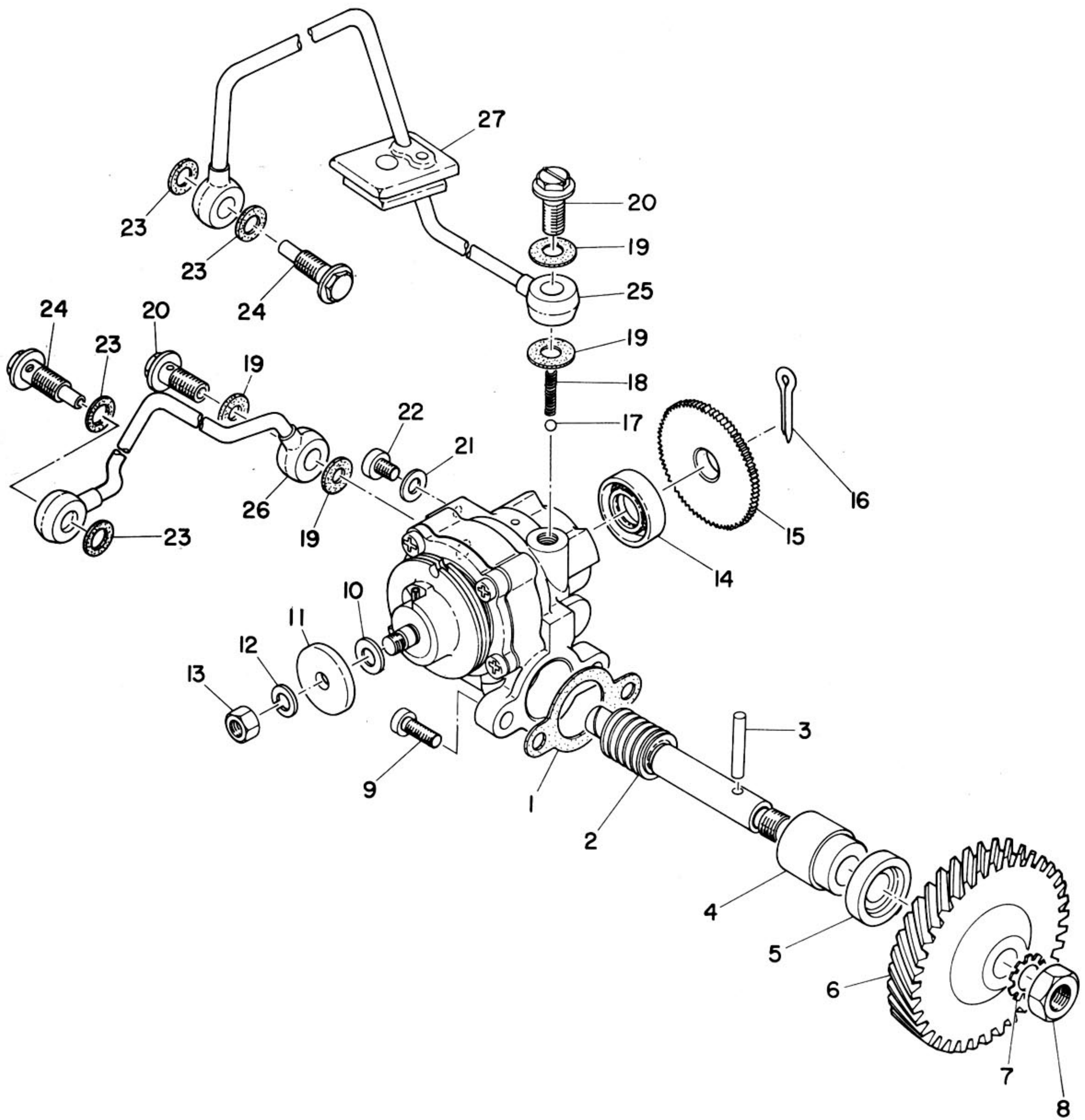
Fig. 11 MUFFLER



MUFFLER

Ref No.	Parts No.	Parts Name	Description	Q'ty	S·R	Remarks
11- 1	174-14710-01	MUFFLER ASS'Y (L.H)	ISO	1		
11- 2	193-14720-00	MUFFLER ASS'Y (R.H)	ISO	1		
11- 3	201-14753-01	. SILENCER	ISO	2		
11- 4	98801-05100	. NUT	ISO	2		
11- 5	92901-05200	. WASHER, plain		2		
11- 6	174-14611-00	PIPE, exhaust (L.H)		1		
11- 7	174-14621-00	PIPE, exhaust (R.H)		1		
11- 8	174-14612-01	NUT, ring		2		
11- 9	132-14613-00	GASKET, exhaust		2		
11-10	132-14713-00	NUT, muffler joint		2		
11-11	132-14714-00	GASKET, muffler joint	ISO	2		
11-12	98801-08100	NUT		2		
11-13	92901-08100	WASHER, spring		2		
11-14	102-27114-00	STOPPER, main stand		1		

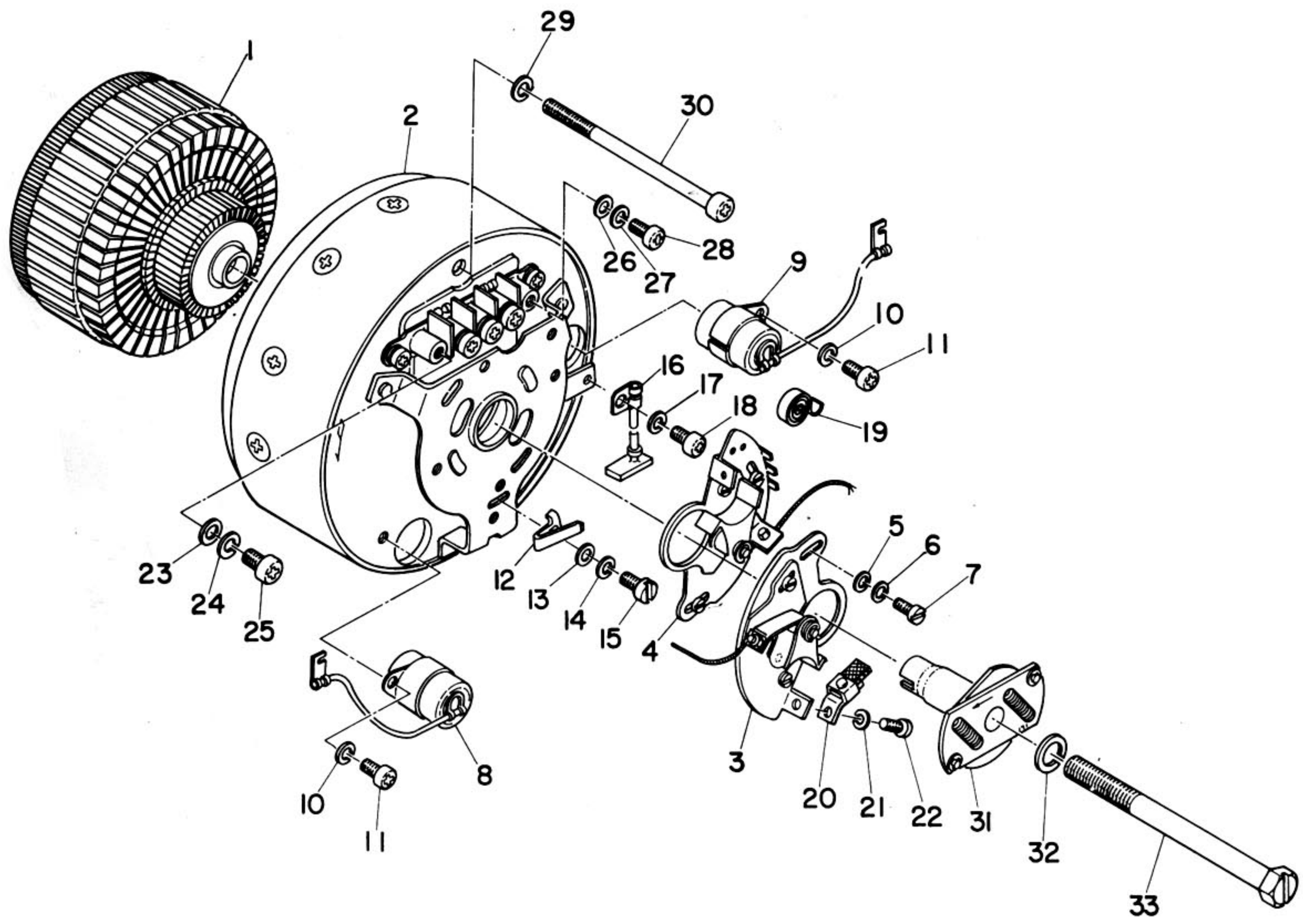
Fig. 12 OIL PUMP



OIL PUMP

Ref No.	Parts No.	Parts Name	Description	Q'ty	S·R	Remarks
12- 1	126-13116-00	GASKET, pump case		1		
12- 2	174-13175-00	SHAFT, worm		1		
12- 3	93603-22028	PIN, dowel	3-21.8	1		
12- 4	137-13176-00	METAL, worm shaft outer		1		
12- 5	93101-10002	OIL SEAL	S-10-22-7	1		
12- 6	174-13178-00	GEAR, drive	20T	1		
12- 7	92901-08400	WASHER, tooth		1		
12- 8	98801-08300	NUT	ISO	1		
12- 9	98501-05015	SCREW, pan head	ISO	2		
12- 0-1	193-13101-01	OIL PUMP ASS'Y	ISO	1		
12-10	137-13137-00	. SHIM, plunger	5.8-10-0.1	1		
12-11	137-13138-01	. PLATE, adjusting		1		
12-12	92901-05100	. WASHER, spring		1		
12-13	98801-05200	. NUT	ISO	1		
12-14	93101-10001	. OIL SEAL	S-10-21-5	1		
12-15	137-13128-00	. PLATE, starter		1		
12-16	91401-12018	. PIN, cotter		1		
12-17	93505-32002	. BALL	5/32"	2		
12-18	137-13169-00	. SPRING, check ball		2		
12-19	137-13167-00	. GASKET, banjo bolt 1	6-13-0.5	4		
12-20	137-13165-00	. BOLT, banjo 1		2		
12-21	137-13187-00	. GASKET, breather	4.2-8.5-0.5	1		
12-22	98501-04008	. SCREW, pan head	ISO	1		
12-23	137-13167-00	GASKET, banjo bolt 1	6-13-0.5	4		
12-24	132-13166-00	BOLT, banjo 2		2		
12-25	237-13161-00	PIPE, delivery (L.H)		1		
12-26	237-13171-00	PIPE, delivery (R.H)		1		
12-27	132-13174-00	HOLDER, oil pipe		1		

Fig. 13 STARTER GENERATOR MITSUBISHI

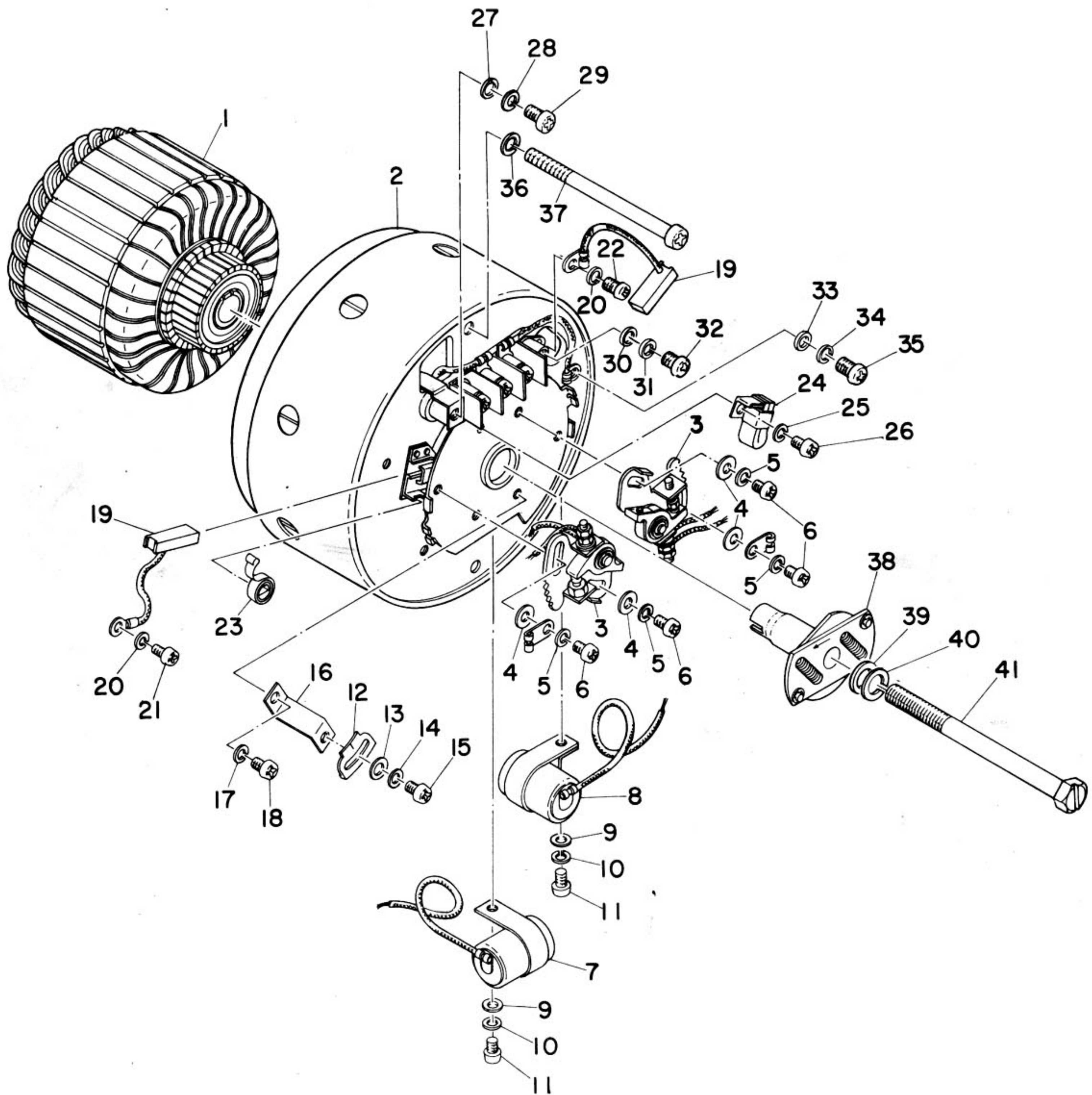


STARTER GENERATOR MITSUBISHI

Ref No.	Parts No.	Parts Name	Description	Q'ty	S·R	Remarks
13- 0-1	193-81100-20	STARTER GENERATOR ASS'Y	(ISO)	1		MITSUBISHI
13- 1	173-81155-20	. ARMATURE		1		
13- 2	193-81110-20	. STATOR ASS'Y	(ISO)	1		
13- 3	168-81221-21	. . CONTACT BREAKER ASS'Y (L.H)	(ISO)	1		
13- 4	168-81222-21	. . CONTACT BREAKER ASS'Y (R.H)	(ISO)	1		
13- 5	92902-04200	. . WASHER, plain		4		
13- 6	92902-04100	. . WASHER, spring		4		
13- 7	98302-04008	. . SCREW, cylinder head	(ISO)	4		
13- 8	164-81226-20	. . CONDENSER (L.H)		1		
13- 9	165-81126-20	. . CONDENSER (R.H)		1		
13-10	92902-04100	. . WASHER, spring		2		
13-11	98502-04008	. . SCREW, pan head	(ISO)	2		
13-12	173-81132-20	. . PLATE, timing		1		
13-13	92902-04200	. . WASHER, plain		1		
13-14	92902-04100	. . WASHER, spring		1		
13-15	98302-04008	. . SCREW, cylinder head	(ISO)	1		
13-16	165-81111-20	. . BRUSH		4		
13-17	92902-04100	. . WASHER, spring		4		
13-18	98502-04008	. . SCREW, pan head	(ISO)	4		
13-19	131-81213-20	. . SPRING, brush		4		
13-20	168-81231-20	. . LUBRICATOR		2		
13-21	92902-03100	. . WASHER, spring		2		
13-22	98502-03005	. . SCREW, pan head	(ISO)	2		
13-23	92902-05200	. . WASHER, plain		1		
13-24	92902-05100	. . WASHER, spring		1		
13-25	98502-05008	. . SCREW, pan head	(ISO)	1		
13-26	92902-04200	. . WASHER, plain		5		
13-27	92902-04100	. . WASHER, spring		5		
13-28	98502-04008	. . SCREW, pan head	(ISO)	5		
13-29	92902-05100	. WASHER, spring		2		
13-30	193-81135-20	. SCREW, stator	5-85 (ISO)	2		
13-31	173-81153-20	. GOVERNOR ASS'Y		1		
13-32	92902-08100	. WASHER, spring		1		
13-33	173-81152-20	. BOLT	7-95	1		



Fig. 14 STARTER GENERATOR HITACHI

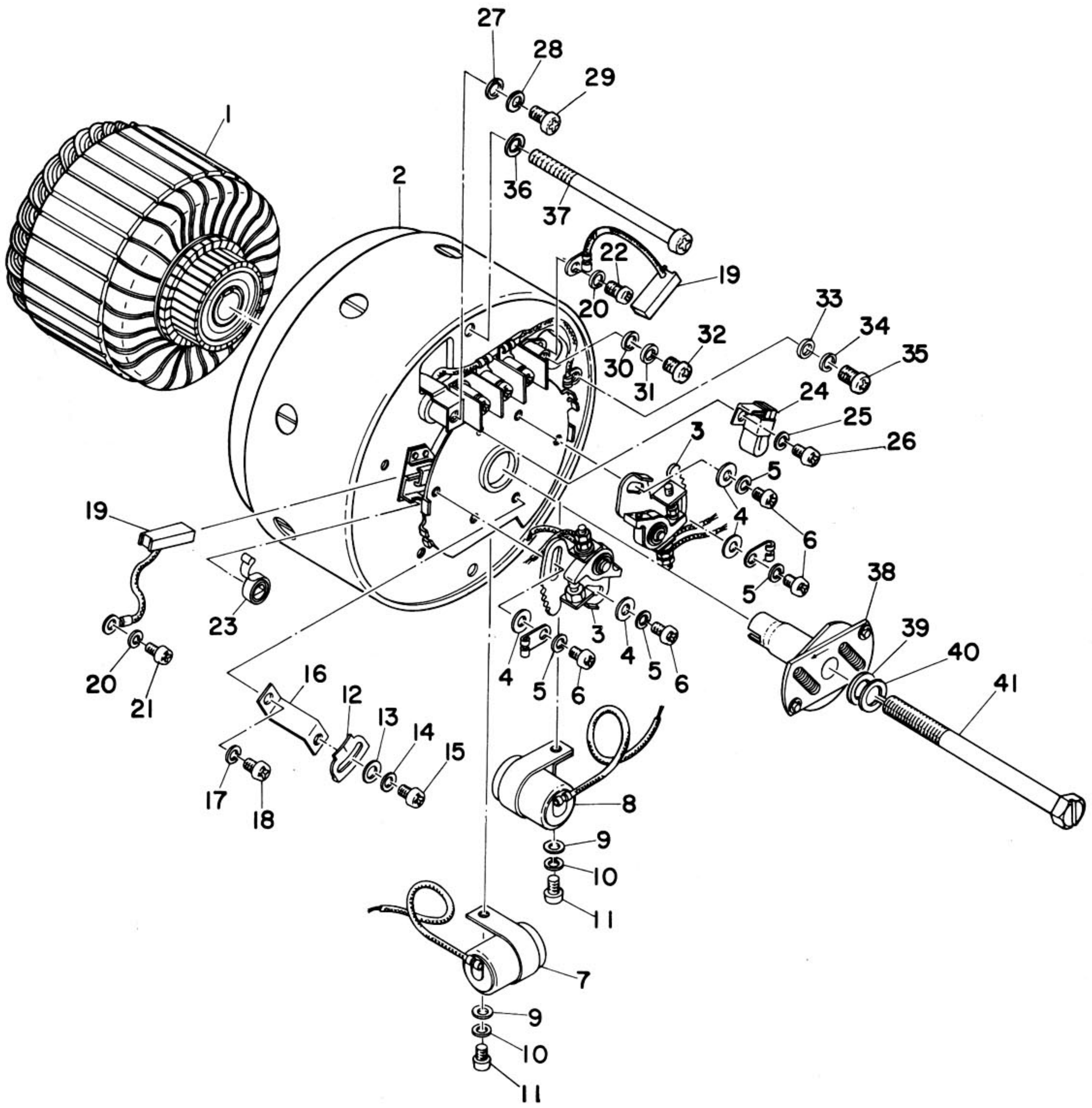


STARTER GENERATOR HITACHI

Ref No.	Parts No.	Parts Name	Description	Q'ty	S·R	Remarks
14- 0-1	193-81100-10	STARTER GENERATOR ASS'Y	(ISO)	1		HITACHI
14- 1	173-81155-10	. ARMATURE		1		
14- 2	193-81110-10	. STATOR ASS'Y	(ISO)	1		
14- 3	132-81221-10	. . CONTACT BREAKER ASS'Y		2		
14- 4	92902-04200	. . WASHER, plain		4		
14- 5	92902-04100	. . WASHER, spring		4		
14- 6	98302-04008	. . SCREW, cylinder head	(ISO)	4		
14- 7	132-81226-10	. . CONDENSER (L.H)		1		
14- 8	132-81225-10	. . CONDENSER (R.H)		1		
14- 9	92902-04200	. . WASHER, plain		2		
14-10	92902-04100	. . WASHER, spring		2		
14-11	98502-04008	. . SCREW, pan head	(ISO)	2		
14-12	133-81132-10	. . PLATE, timing		1		
14-13	92902-04200	. . WASHER, plain		1		
14-14	92902-04100	. . WASHER, spring		1		
14-15	98302-04006	. . SCREW, cylinder head	(ISO)	1		
14-16	199-81133-10	. . FIXTURE, timing plate	(ISO)	1		
14-17	92902-04100	. . WASHER, spring		1		
14-18	98502-04006	. . SCREW, pan head	(ISO)	1		
14-19	173-81111-10	. . BRUSH		4		
14-20	92902-04100	. . WASHER, spring		4		
14-21	98502-04006	. . SCREW, pan head	(ISO)	3		
14-22	98502-04008	. . SCREW, pan head	(ISO)	1		
14-23	141-81113-10	. . SPRING, brush		4		
14-24	132-81231-10	. . LUBRICATOR		1		
14-25	92902-04100	. . WASHER, spring		1		
14-26	98502-04006	. . SCREW, pan head	(ISO)	1		
14-27	92902-05200	. . WASHER, plain		1		
14-28	92902-05100	. . WASHER, spring		1		
14-29	98502-05008	. . SCREW, pan head	(ISO)	1		
14-30	92902-04200	. . WASHER, plain		4		
14-31	92902-04100	. . WASHER, spring		4		
14-32	98502-04008	. . SCREW, pan head	(ISO)	4		
14-33	92902-04200	. . WASHER, plain		1		
14-34	92902-04100	. . WASHER, spring		1		
14-35	98502-04006	. . SCREW, pan head	(ISO)	1		
14-36	92902-05100	. WASHER, spring		2		
14-37	183-81435-10	. SCREW, stator	(ISO)	2		



Fig. 14 STARTER GENERATOR HITACHI



STARTER GENERATOR HITACHI

Ref No.	Parts No.	Parts Name	Description	Q'ty	S·R	Remarks
14-38	173-81153-10	. GOVERNOR ASS'Y		1		
14-39	173-81162-10	. WASHER, plain		1		
14-40	92902-08100	. WASHER, spring		1		
14-41	141-81152-10	. BOLT		1		

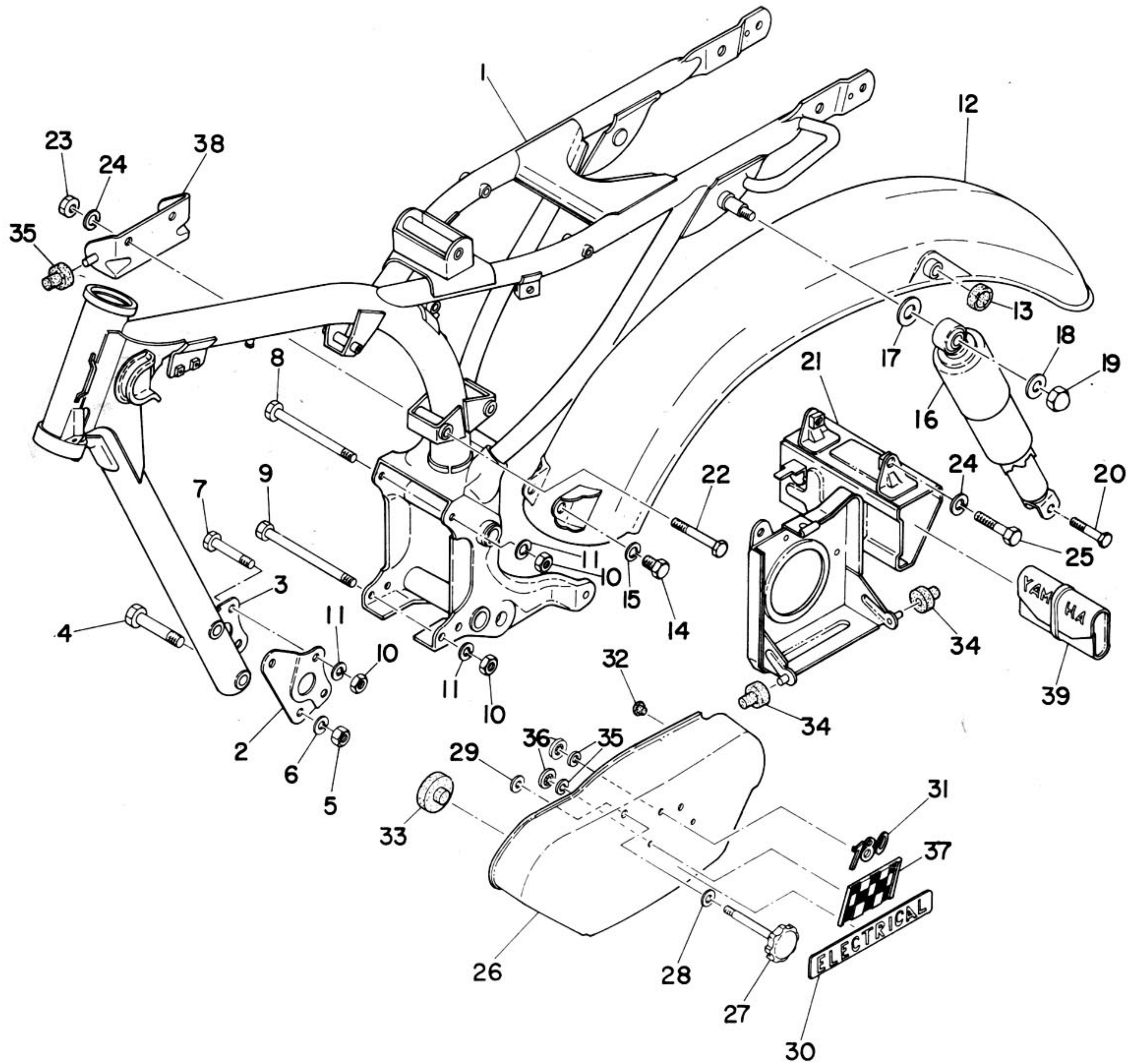


CHASSIS





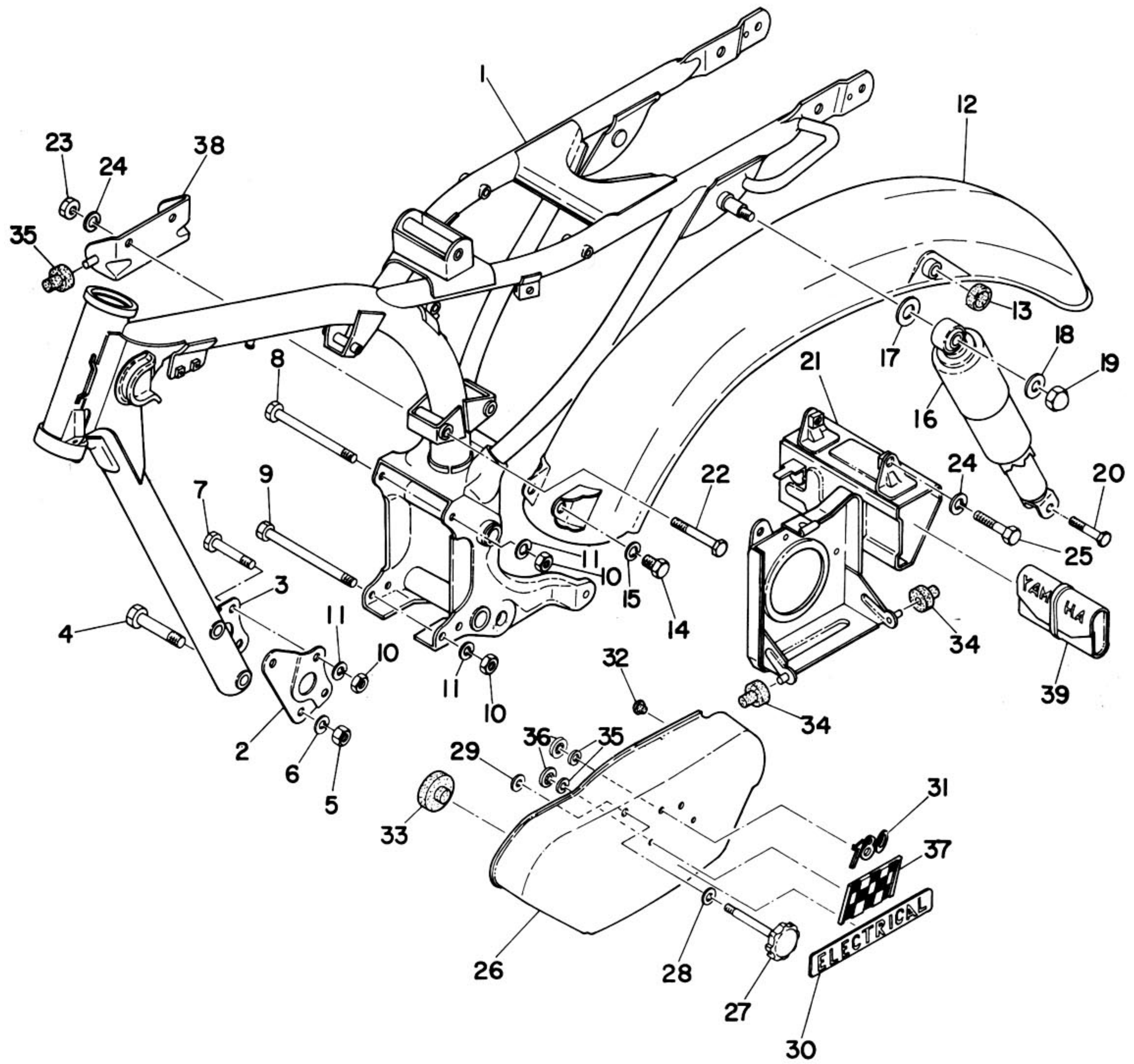
Fig. 15 FRAME, REAR CUSHION & REAR FENDER



FRAME, REAR CUSHION & REAR FENDER

Ref No.	Parts No.	Parts Name	Description	Q'ty	S · R	Remarks
15- 1	237-21110-00-33	FRAME COMP.		1		
15- 2	174-21315-00-33	STAY, engine front (L.H)		1		
15- 3	174-21316-00-33	STAY, engine front (R.H)		1		
15- 4	174-21484-00	BOLT, engine mounting 4		2		
15- 5	92801-10100	NUT		2		
15- 6	92901-10100	WASHER, spring		2		
15- 7	174-21481-00	BOLT, enging mounting 1		2		
15- 8	174-21482-00 90101-08048	BOLT, engine mounting 2		1		
15- 9	174-21483-00	BOLT, engine mounting 3	90101-08050	1		
15-10	98801-08100	NUT	ISO	4		
15-11	92901-08100	WASHER, spring		4		
15-12	174-21610-00	REAR FENDER COMP.		1		
15-13	174-21626-00	COLLAR	18.5-27-10	2		
15-14	97201-08015	BOLT	ISO	2		
15-15	92901-08100	WASHER, spring		2		
15-16	174-22210-00-62	REAR CUSHION ASS'Y		2		Adrian Blue
	174-22210-00-63	REAR CUSHION ASS'Y		2		Brilliant Red
	174-22210-00-65	REAR CUSHION ASS'Y		2		Californian Orange
15-17	135-22243-00	WASHER, rear cushion	14.8-27-2.0	2		
15-18	136-22243-00	WASHER, rear cushion	10.5-27-2.0	2		
15-19	92803-10700	NUT, crown		2		
15-20	164-22241-00	BOLT, rear cushion		2		
15-21	193-21170-00-33	BOX COMP.		1		
15-22	97201-08065	BOLT	ISO	2		
15-23	98801-08100	NUT	ISO	2		
15-24	92901-08100	WASHER, spring		4		
15-25	97201-08050	BOLT	ISO	2		
15-26	193-21711-60-01	COVER, side		1		Californian Orange
	193-21711-60-02	COVER, side		1		Adrian Blue
	193-21711-60-03	COVER, side		1		Brilliant Red
15-27	168-21714-00	KNOB, side cover		2		
15-28	168-21715-00	WASHER, special	8.5-16-1.0	1		
15-29	168-21713-00	NUT, latch clamp	8-16-2.0	1		
15-30	118-21787-00	EMBLEM, electric		1		
15-31	174-21786-00	EMBLEM, 180		1		
15-32	137-21778-00	DAMPER, oil tank		1		
15-33	174-21717-00	DAMPER, side cover		1		
15-34	174-21746-00	BUSHING, rubber		4		

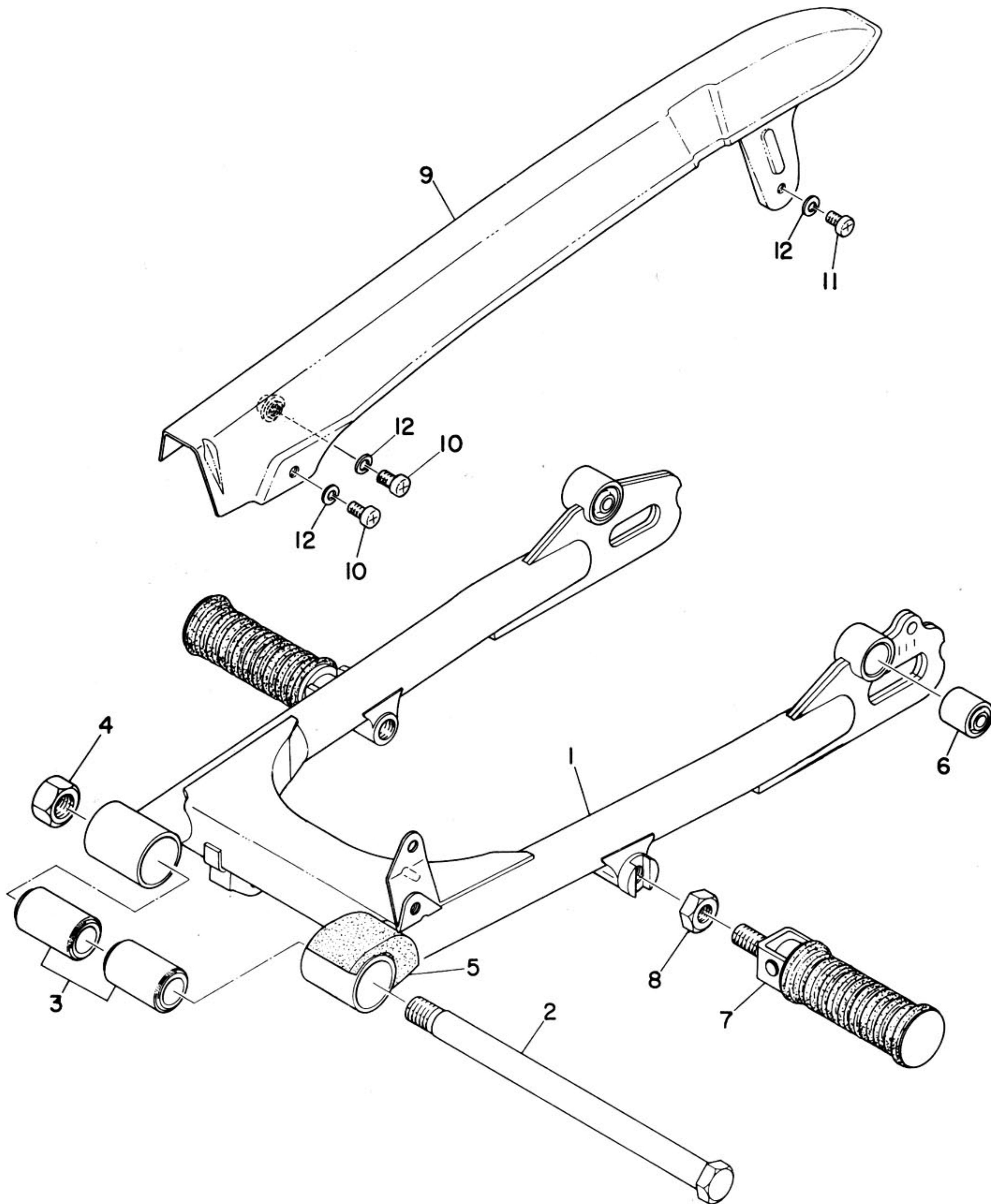
Fig. 15 FRAME, REAR CUSHION & REAR FENDER



FRAME, REAR CUSHION & REAR FENDER

Ref No.	Parts No.	Parts Name	Description	Q'ty	S·R	Remarks
15-35	174-28316-00	DAMPER, emblem		4		
15-36	116-28317-00	NUT		4		
15-37	193-21787-60	EMBLEM, checker flag		1		
15-38	174-21797-00-33	HINGE, oil tank		1		
15-39	174-28100-01	TOOL ASS'Y	(ISO)	1		☆

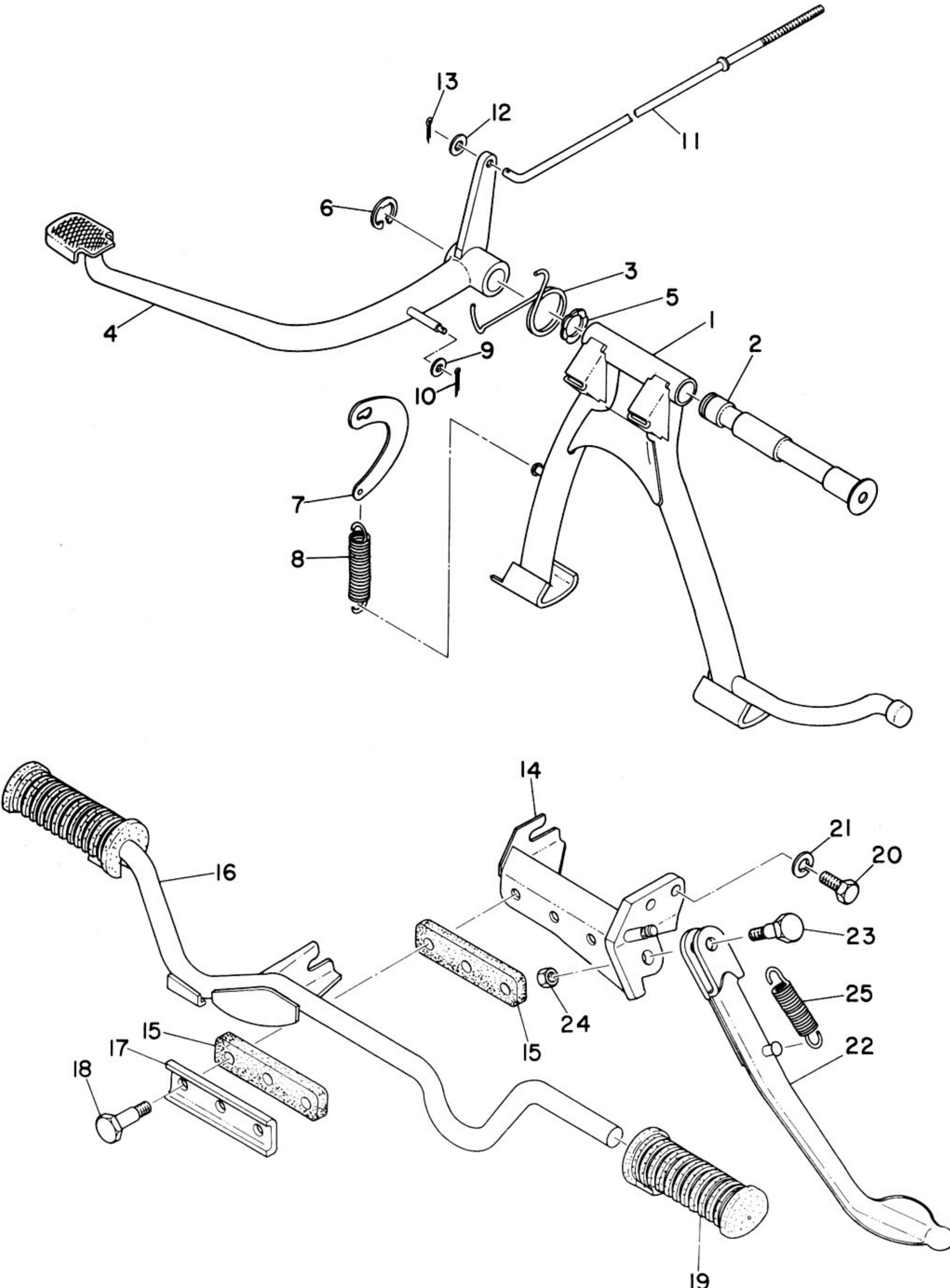
Fig. 16 REAR ARM & CHAIN CASE



REAR ARM & CHAIN CASE

Ref No.	Parts No.	Parts Name	Description	Q'ty	S·R	Remarks
16- 1	174-22110-02-33	REAR ARM COMP.		1		
16- 2	174-22141-00	SHAFT, pivot		1		
16- 3	174-22123-00	BUSHING, rear arm		2		
16- 4	98801-14200	NUT	(ISO)	1		
16- 5	173-22151-00	SEAL, guard		1		
16- 6	164-22216-00	BUSHING, rear cushion		2		
16- 7	120-27430-02	REAR FOOT REST ASS'Y	(ISO)	2		
16- 7-1	120-27431-00	. COVER, rear foot rest		2		
16- 8	206-27436-00	NUT, rear foot rest	(ISO)	2		90170-12062
16- 9	174-22311-00	CASE, chain		1		
16-10	92501-06010	SCREW, pan head		2		
16-11	92503-06012	SCREW, pan head		1		
16-12	92901-06100	WASHER, spring		3		

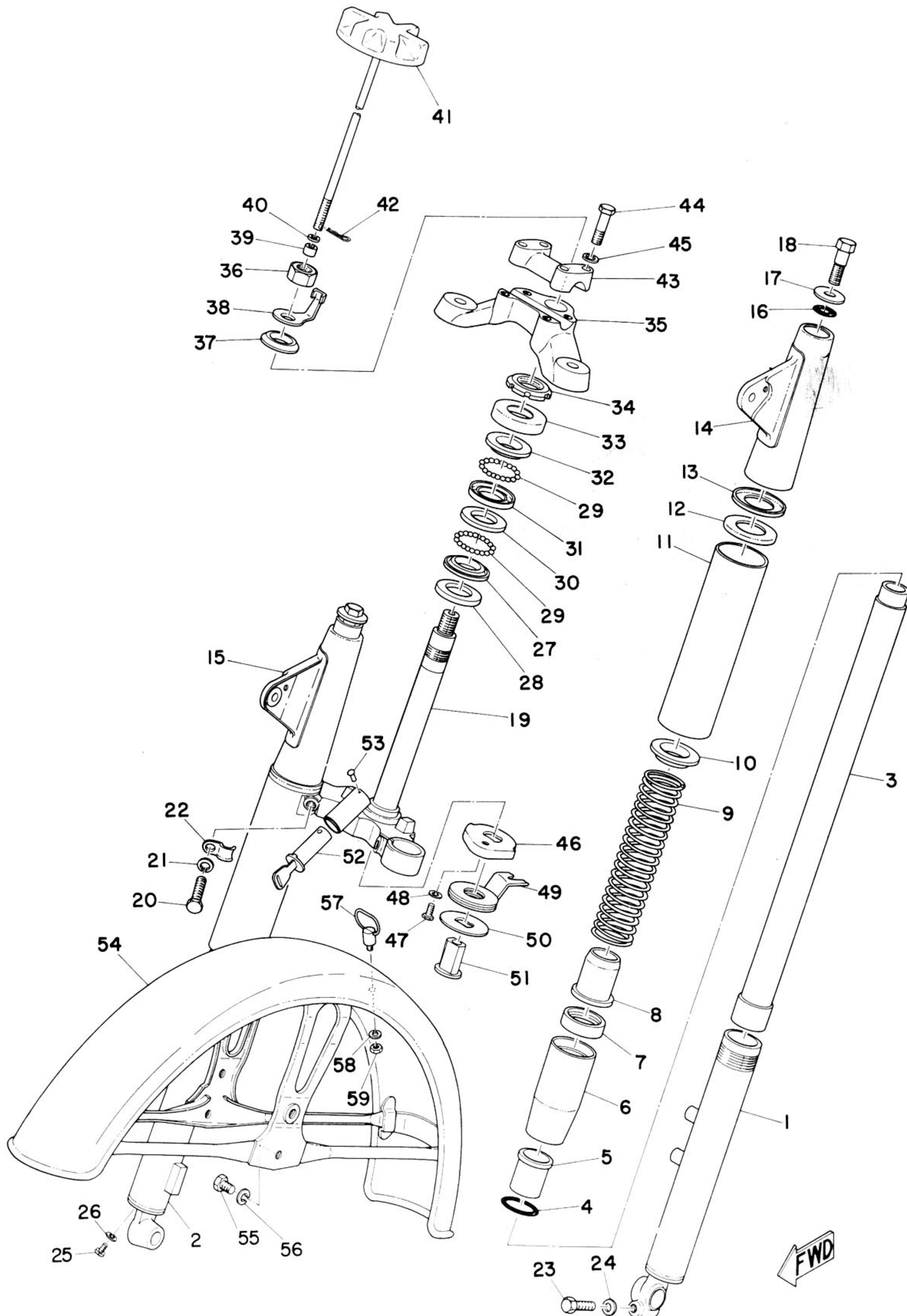
Fig. 17 STAND, FOOT REST & REAR BRAKE PEDAL



STAND, FOOT REST & REAR BRAKE PEDAL

Ref No.	Parts No.	Parts Name	Description	Q'ty	S·R	Remarks
17- 1	193-27111-00-33	STAND, main		1		
17- 2	174-27112-00	SHAFT, main stand		1		
17- 3	174-27216-00	SPRING, brake pedal		1		
17- 4	174-27211-00	PEDAL, brake		1		
17- 5	137-27219-00	WASHER, wave		1		
17- 6	93430-12008	CIRCLIP		1		
17- 7	174-27115-00	LINK, main stand		1		
17- 8	174-27116-00	90506-32056 SPRING, main stand		1		
17- 9	92901-04200	WASHER, plain		1		
17-10	91401-20012	PIN, cotter		1		
17-11	174-27231-01	ROD, brake		1		
17-12	92901-06200	WASHER, plain		1		
17-13	91401-20012	PIN, cotter		1		
17-14	173-27412-00-33	BRACKET, foot rest		1		
17-15	164-27414-00	DAMPER, foot rest		2		
17-16	174-27411-01-33	FOOT REST		1		
17-17	164-27417-00	WASHER, foot rest		1		
17-18	132-27416-00	BOLT, foot rest		3		
17-19	122-27413-00	COVER, foot rest		2		
17-20	97201-08020	BOLT	(ISO)	1		
17-21	92901-08100	WASHER, spring		1		
17-22	193-27311-00-33	STAND, side		1		
17-23	122-27317-01	BOLT, side stand		1		
17-24	98801-08300	NUT	(ISO)	1		
17-25	150-27316-00	SPRING		1		

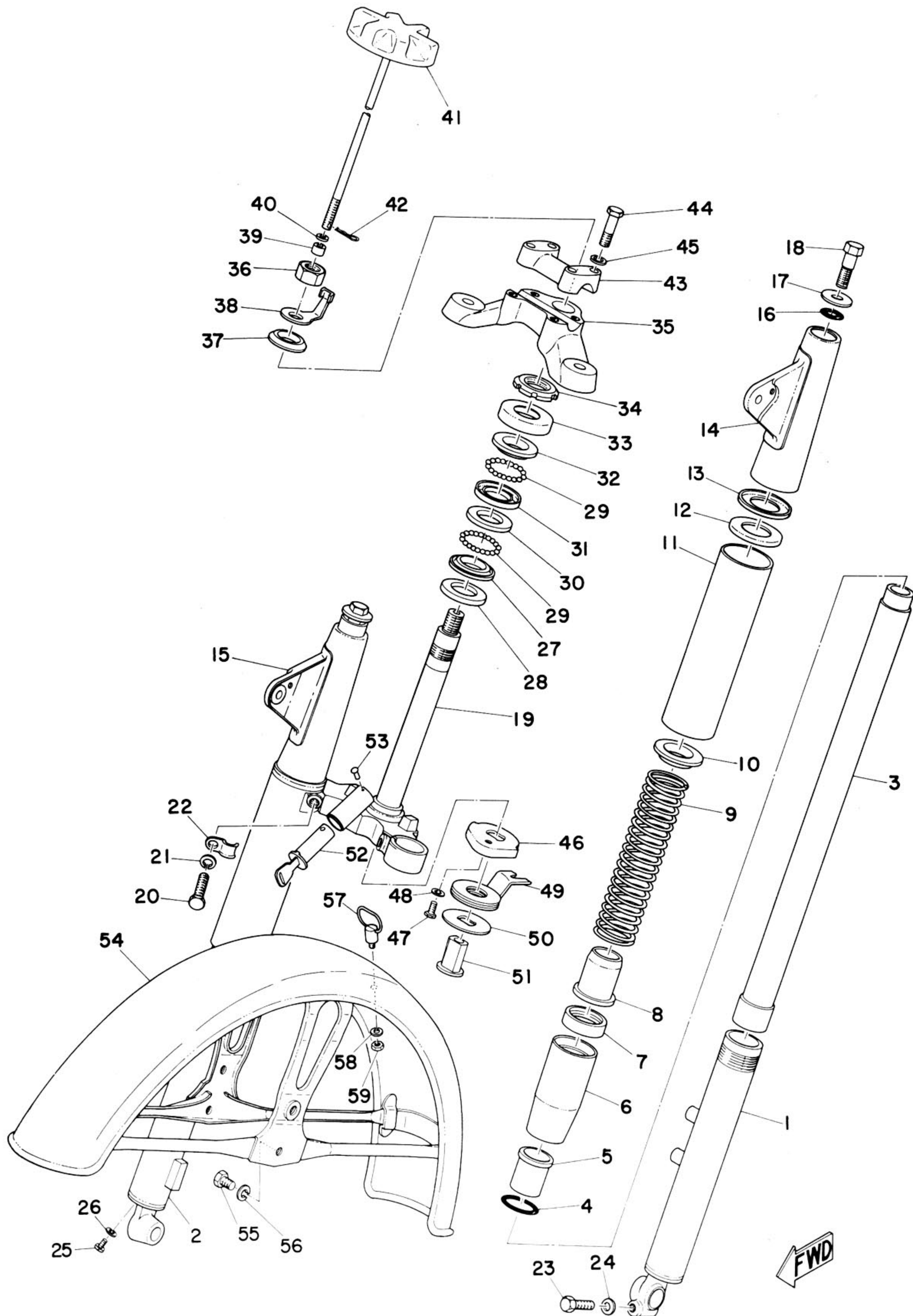
Fig. 18 FRONT FORK & FRONT FENDER



FRONT FORK & FRONT FENDER

Ref No.	Parts No.	Parts Name	Description	Q'ty	S·R	Remarks
18- 0-1	237-23100-00-62	FRONT FORK ASS'Y		1		Adrian Blue
	237-23100-00-63	FRONT FORK ASS'Y		1		Brilliant Red
	237-23100-00-65	FRONT FORK ASS'Y		1		Californian Orange
18- 1	174-23126-00	. TUBE, outer (L.H)	(ISO)	1		
18- 2	174-23136-00	. TUBE, outer (R.H)	(ISO)	1		
18- 3	237-23124-00	. TUBE, inner		2		
18- 4	137-23147-00	. O-RING		2		
18- 5	137-23125-00	. METAL, slide		2		
18- 6	193-23127-00	. NUT, outer		2		
18- 7	137-23145-00	. . OIL SEAL		2		
18- 8	137-23143-00	. SEAT, spring under		2		
18- 9	174-23141-00	. SPRING, fork		2		
18-10	174-23142-00	. SEAT, spring upper		2		
18-11	174-23123-00-62	. COVER, under		2		Adrian Blue
	174-23123-00-63	. COVER, under		2		Brilliant Red
	174-23123-00-65	. COVER, under		2		Californian Orange
18-12	193-23163-00	. PACKING (lamp stay)		2		
18-13	174-23116-00	. GUIDE, cover under		2		
18-14	237-23121-00-62	. COVER, upper (L.H)		1		Adrian Blue
	237-23121-00-63	. COVER, upper (L.H)		1		Brilliant Red
	237-23121-00-65	. COVER, upper (L.H)		1		Californian Orange
18-15	237-23131-00-62	. COVER, upper (R.H)		1		Adrian Blue
	237-23131-00-63	. COVER, upper (R.H)		1		Brilliant Red
	237-23131-00-65	. COVER, upper (R.H)		1		Californian Orange
18-16	137-23114-00	. PACKING (o-ring)		2		
18-17	137-23112-00	. WASHER, cap		2		
18-18	137-23111-00	. BOLT, cap		2		
18-19	237-23340-00-33	. UNDER BRACKET COMP.		1		
18-20	122-23346-00	. BOLT, under bracket		2		
18-21	92901-10100	. WASHER, spring		2		
18-22	183-23318-00	. HOLDER, wire		1		
18-23	97201-08030	. BOLT	(ISO)	1		
18-24	92901-08100	. WASHER, spring		1		
18-25	122-23119-01	. PLUG, drain	(ISO)	2		
18-26	122-23129-00	. GASKET, drain plug		2		
18-27	156-23411-00	. RACE, ball 1		1		
18-28	154-23462-00	SEAL, dust		1		
18-29	93501-04004	BALL	1/4"	38		

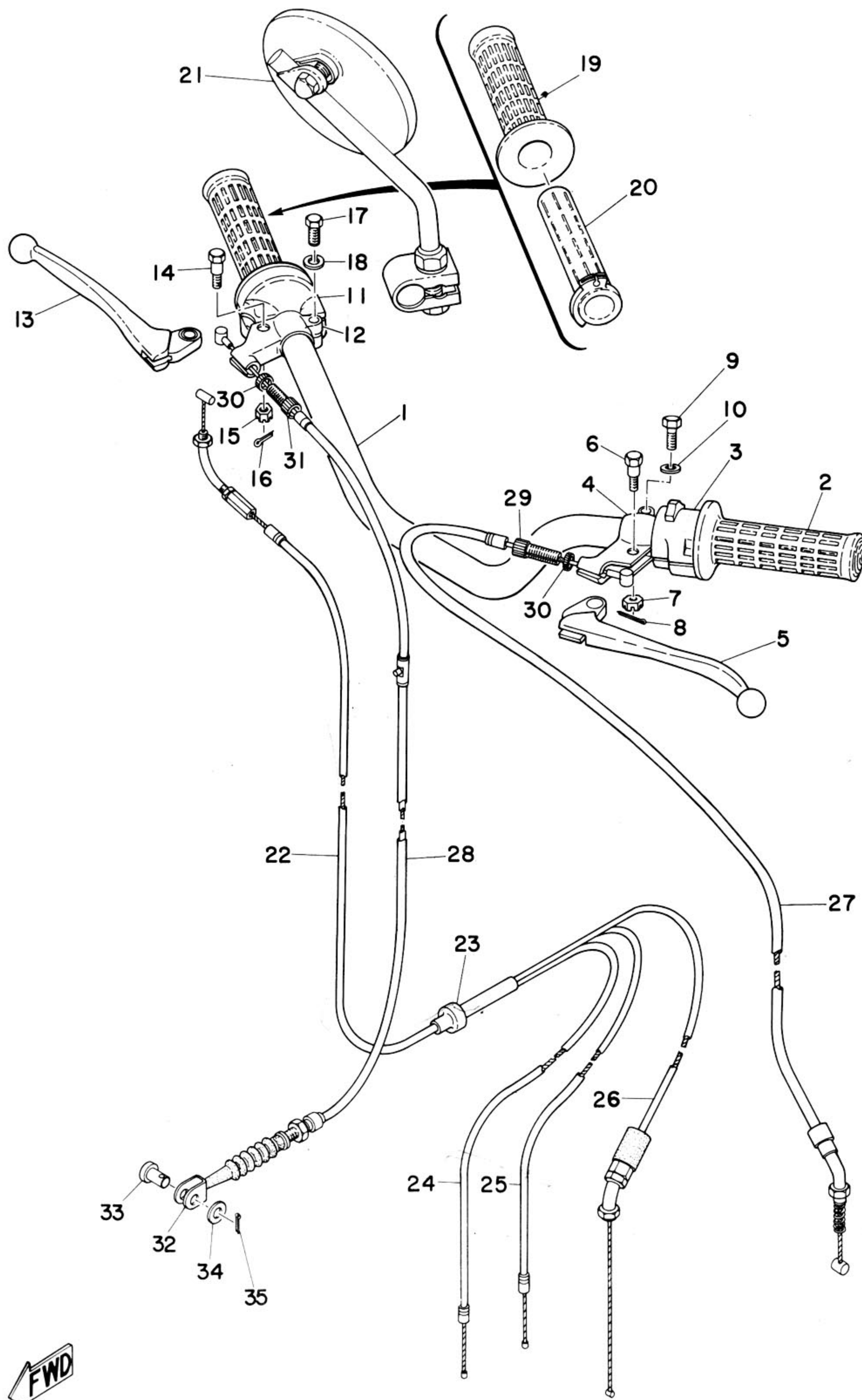
Fig. 18 FRONT FORK & FRONT FENDER



FRONT FORK & FRONT FENDER

Ref No.	Parts No.	Parts Name	Description	Q'ty	S·R	Remarks
18-30	156-23412-00	RACE, ball 2		1		
18-31	183-23411-00	RACE, ball 1		1		
18-32	183-23412-00	RACE, ball 2		1		
18-33	136-23415-00	COVER, ball race		1		
18-34	137-23454-00	NUT, fitting		1		
18-35	174-23435-00	CROWN, handle		1		
18-36	98803-16200	NUT	(ISO)	1		
18-37	174-23443-00	WASHER, crown		1		
18-38	246-23428-00	SPRING, damper		1		
18-39	141-23427-00	DAMPER		1		
18-40	156-23418-00	WASHER, special		1		
18-41	183-23419-00	SHAFT, damper		1		
18-42	156-83525-00	CLIP		1		
18-43	174-23441-00	HOLDER, handle upper		1		
18-44	97204-08035	BOLT	(ISO)	4		
18-45	92901-08100	WASHER, spring		4		
18-46	174-23421-00	PLATE, damper 1		1		
18-47	91101-06010	BOLT		1		
18-48	92901-06100	WASHER, spring		1		
18-49	174-23422-00	PLATE, damper 2		1		
18-50	174-23425-00	DAMPER, friction		1		
18-51	174-23453-00	NUT, fitting		1		
18-52	156-23480-00	STEERING LOCK ASS'Y		1		
18-53	122-23483-00	RIVET, screw		1		
18-54	193-21510-00	FRONT FENDER COMP.		1		
18-55	97201-08012	BOLT	(ISO)	4		
18-56	92901-08100	WASHER, spring		4		
18-57	174-21518-00	HOLDER, wire		1		
18-58	92901-06100	WASHER, spring		1		
18-59	92801-06100	NUT		1		

Fig. 19 HANDLE & WIRE

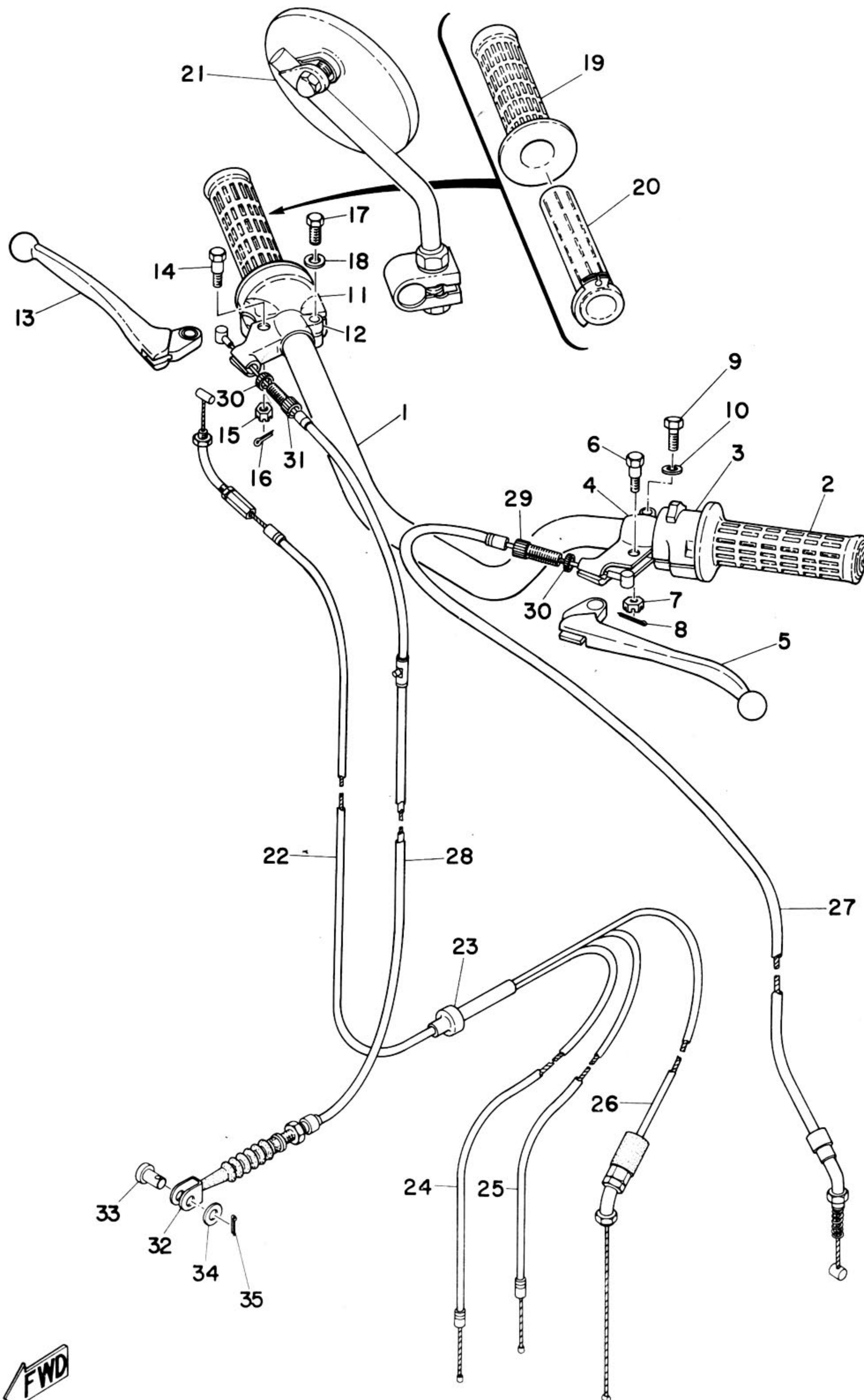


FWD

HANDLE & WIRE

Ref No.	Parts No.	Parts Name	Description	Q'ty	S·R	Remarks
19- 1	174-26111-00	HANDLE	STD	1		
	174-26111-10	HANDLE	UP	1		
	174-26111-20	HANDLE	BAR	1		
19- 2	235-26241-00	GRIP (L.H)		1		
19- 3	237-83972-10	SWITCH, handle (4)		1		
19- 0-1	214-82910-00	LEVER HOLDER ASS'Y (L.H)		1		
19- 4	214-82911-00	. HOLDER, lever (L.H)		1		
19- 5	214-83912-00	. LEVER (L.H)		1		
19- 6	214-83915-00	. SCREW, lever fitting		1		
19- 7	92802-06500	. NUT, slotted		1		
19- 8	91401-12015	. PIN, cotter		1		
19- 9	91203-06020	. BOLT		1		
19-10	92901-06100	. WASHER, spring		1		
19-11	237-83976-00	SWITCH, handle (1)		1		
19- 0-2	233-82920-00	LEVER HOLDER ASS'Y (R.H)		1		
19-12	233-82921-30	. HOLDER, lever (R.H)		1		
19-13	233-83922-31	. LEVER (R.H)		1		
19-14	214-83915-00	. SCREW, lever fitting		1		
19-15	92802-06500	. NUT, slotted		1		
19-16	91401-12015	. PIN, cotter		1		
19-17	91203-06020	. BOLT		1		
19-18	92901-06100	. WASHER, spring		1		
19-19	235-26242-00	GRIP (R.H)		1		
19-20	214-26243-00	TUBE, guide		1		
19-21	169-26290-00	BACK MIRROR ASS'Y	(ISO)	1		
19-22	237-26311-00	WIRE, throttle (1)	S. T. D	1		
	237-26311-10	WIRE, throttle (1)	UP	1		
	237-26311-20	WIRE, throttle (1)	BAR	1		
19-23	156-26261-01	CYLINDER, wire		1		
19-24	193-26312-00	WIRE, throttle (2)		1		
19-25	193-26313-00	WIRE, throttle (3)		1		
19-26	174-26321-00	WIRE, pump		1		
19-27	237-26335-00	WIRE, clutch	S. T. D	1		
406	237-26335-10	WIRE, clutch	UP	1		
	237-26335-20	WIRE, clutch	BAR	1		
19-28	156-26341-01	WIRE, brake	S. T. D	1		
	174-26341-10	WIRE, brake	UP	1		
	174-26341-20	WIRE, brake	BAR	1		

Fig. 19 HANDLE & WIRE

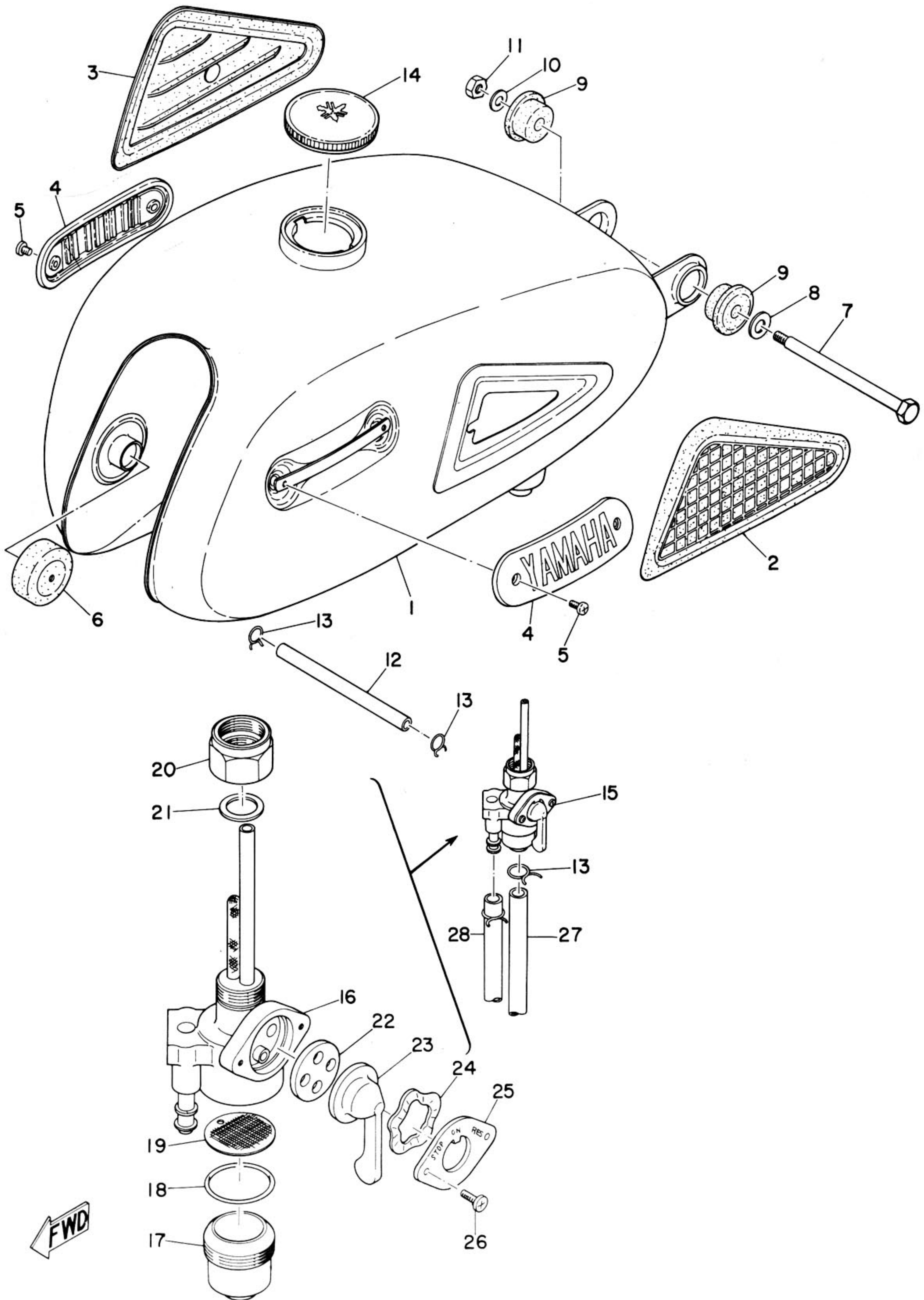


HANDLE & WIRE

Ref No.	Parts No.	Parts Name	Description	Q'ty	S·R	Remarks
19-29	168-26337-00	BOLT, wire adjusting		1		
19-30	168-26344-00	NUT, adjusting		2		
19-31	156-26346-00	BOLT, adjusting		1		
19-32	156-26347-00	JOINT, wire		1		
19-33	156-27229-00	PIN, joint		1		
19-34	156-27226-00	WASHER, special		1		
19-35	91401-20012	PIN, cotter		1		



Fig. 20 FUEL TANK

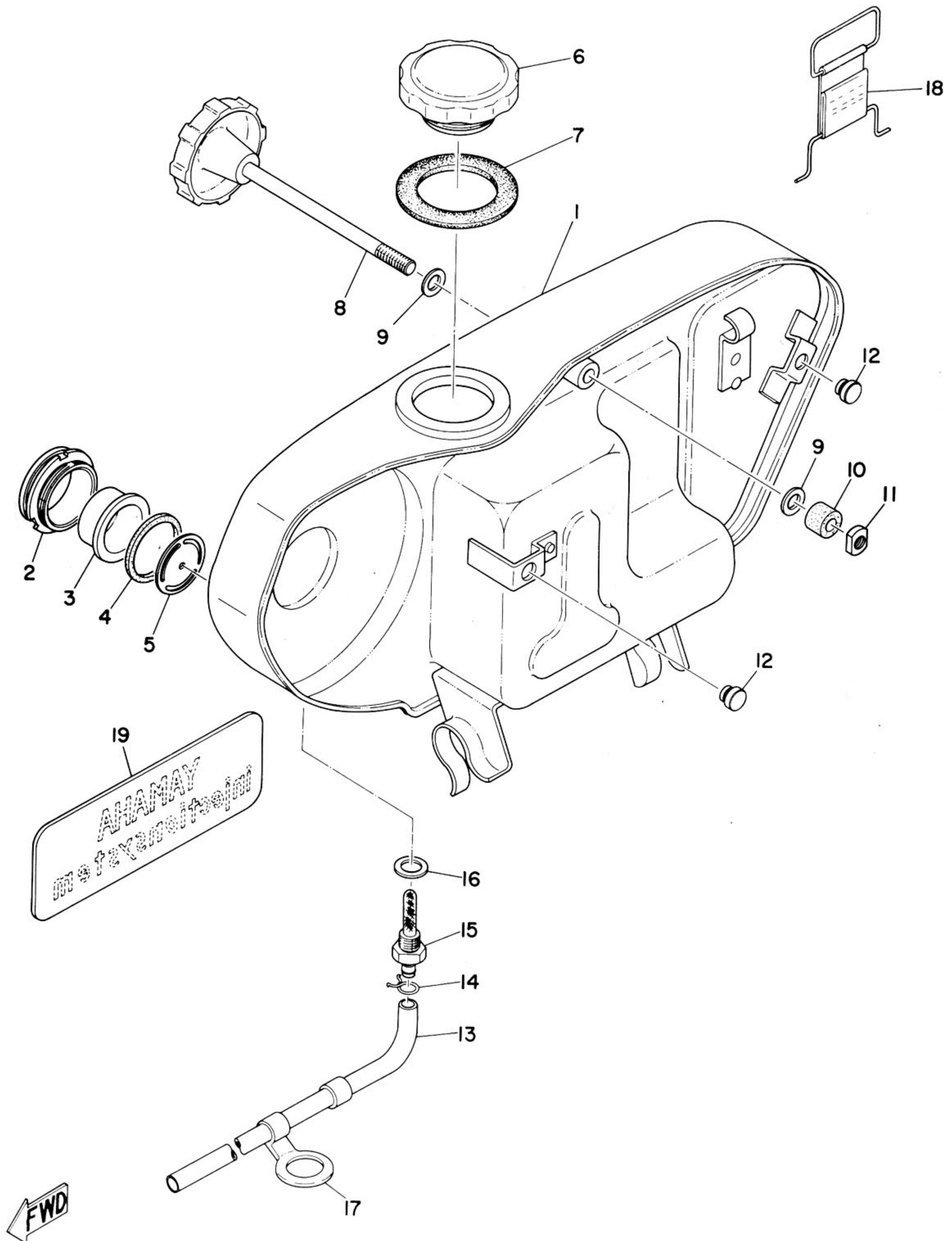


FUEL TANK

Ref No.	Parts No.	Parts Name	Description	Q'ty	S·R	Remarks
20- 1	237-24110-00-01	FUEL TANK COMP.	(ISO)	1		Californian Orange
	237-24110-00-02	FUEL TANK COMP.	(ISO)	1		Adrian Blue
	237-24110-00-03	FUEL TANK COMP.	(ISO)	1		Brilliant Red
20- 2	237-24171-00	GRIP, knee (L.H)		1		
20- 3	237-24172-00	GRIP, knee (R.H)		1		
20- 4	227-24161-00	EMBLEM		2		
20- 5	98501-04008	SCREW, pan head	(ISO)	4		
20- 6	156-24181-00	DAMPER, tank locating		2		
20- 7	168-24176-00	BOLT, tank fitting		1		
20- 8	156-24186-00	WASHER, special 1	8-26-2	1		
20- 9	156-24182-01	DAMPER, fuel tank		2		
20-10	156-24187-00	WASHER, special 2	6-26-2	1		
20-11	92801-06100	NUT		1		
20-12	168-24312-00	PIPE, fuel 2		1		
20-13	101-24356-00	CLIP, pipe		6		
20-14	122-24610-01	TANK CAP ASS'Y		1		
20-15	132-24500-02	FUEL COCK ASS'Y	(ISO)	1		
20-16	132-24511-02	. BODY, fuel cock	(ISO)	1		△
20-17	132-24521-00	. CUP, filter		1		
20-18	132-24522-00	. GASKET, filter		1		
20-19	132-24515-00	. NET, filter		1		
20-20	132-24531-00	. NUT		1		
20-21	132-24532-00	. GASKET, nut		1		
20-22	137-24523-00	. VALVE		1		
20-23	168-24524-00	. LEVER, cock		1		
20-24	132-24518-00	. WASHER, wave		1		
20-25	132-24525-00	. PLATE, lever fitting		1		
20-26	98501-03006	. SCREW, pan head	(ISO)	2		
20-27	132-24312-00	PIPE, fuel (L.H)		1		
20-28	174-24312-00	PIPE, fuel (R.H)		1		



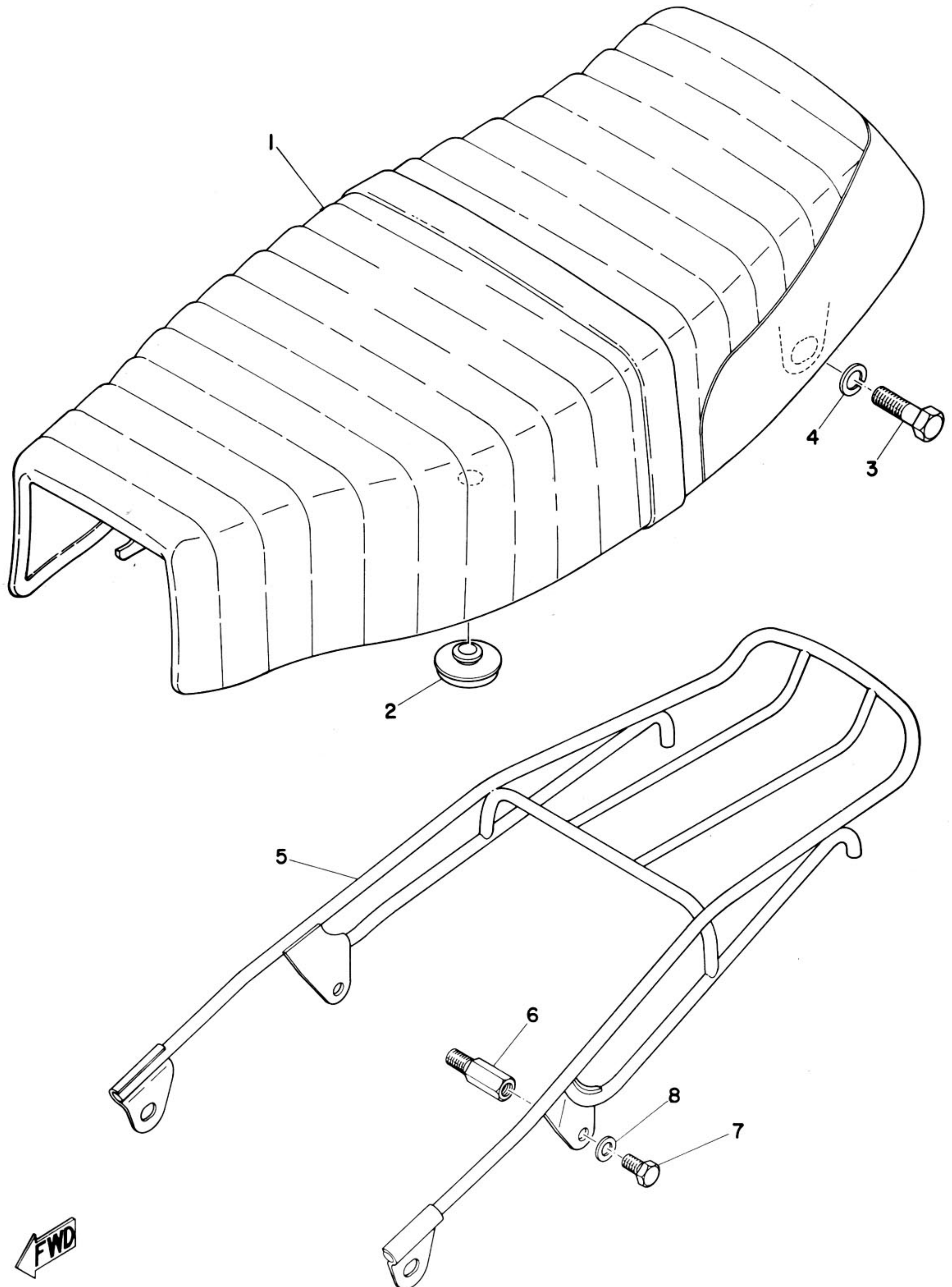
Fig. 21 OIL TANK



OIL TANK

Ref No.	Parts No.	Parts Name	Description	Q'ty	S·R	Remarks
21- 1	193-21751-00-01	TANK, oil		1		Californian Orange Adrian Blue Brilliant Red
	193-21751-00-02	TANK, oil		1		
	193-21751-00-03	TANK, oil		1		
21- 2	137-21762-00	NUT, level gauge		1		
21- 3	137-21764-00	LENS, level gauge		1		
21- 4	137-21763-00	GASKET, level gauge		1		
21- 5	137-21761-00	GAUGE, level		1		
21- 6	137-21771-61	CAP, oil tank		1		
21- 7	137-21772-02	GASKET, cap		1		
21- 8	168-21714-00	KNOB, side cover		1		
21- 9	92901-08200	WASHER, plain		2		
21-10	168-21729-00	CLAMP, damper		1		
21-11	168-21713-00	NUT, latch clamp		1		
21-12	137-21778-00	DAMPER, oil tank		2		
21-13	174-21766-00	PIPE, oil		1		
21-14	101-24356-00	CLIP, pipe		1		
21-15	137-21768-01	SCREW, union		1		
21-16	137-21767-00	GASKET, union	10.2-15-1.5	1		
21-17	183-24369-00	CLAMP, pipe		1		
21-18	174-21776-00	BAND, tank fitting		1		
21-19	117-21782-00	EMBLEM, injection		1		

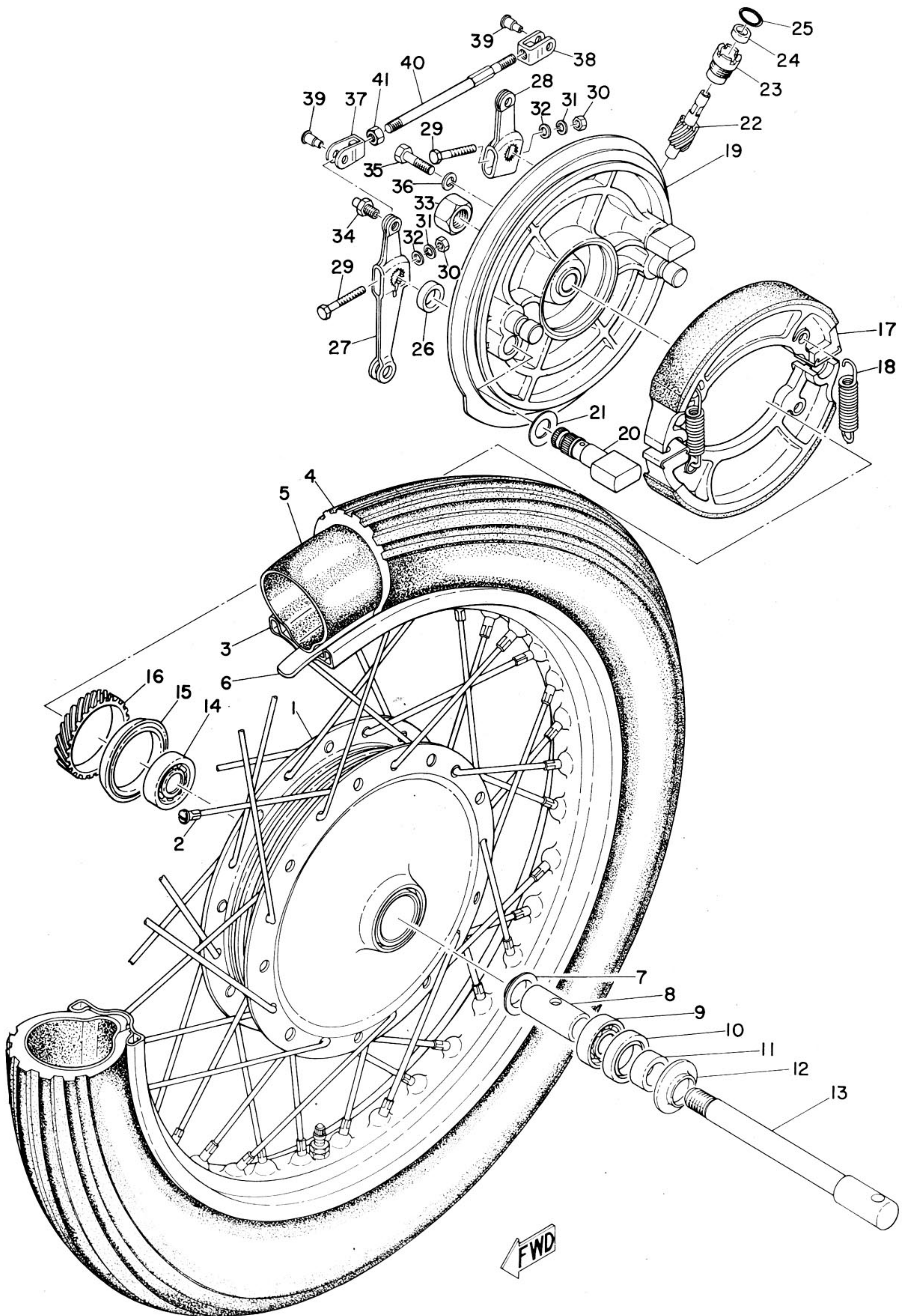
Fig. 22 SEAT & CARRIER



SEAT & CARRIER

Ref No.	Parts No.	Parts Name	Description	Q'ty	S·R	Remarks
22- 1	237-24730-00	DOUBLE SEAT ASS'Y		1		
22- 1-1	237-24731-00	. COVER, double seat		1		
22- 2	174-24741-00	. PAD, seat		2		
22- 3	91203-10030	BOLT		2		
22- 4	92901-10100	WASHER, spring		2		
OPTIONAL PARTS						
22- 5	174-24830-00	SUB-CARRIER ASS'Y		1		
22- 6	173-24717-00	BOLT, seat fitting		2		
22- 7	97203-08015	BOLT	(ISO)	2		
22- 8	92901-08100	WASHER, spring		2		

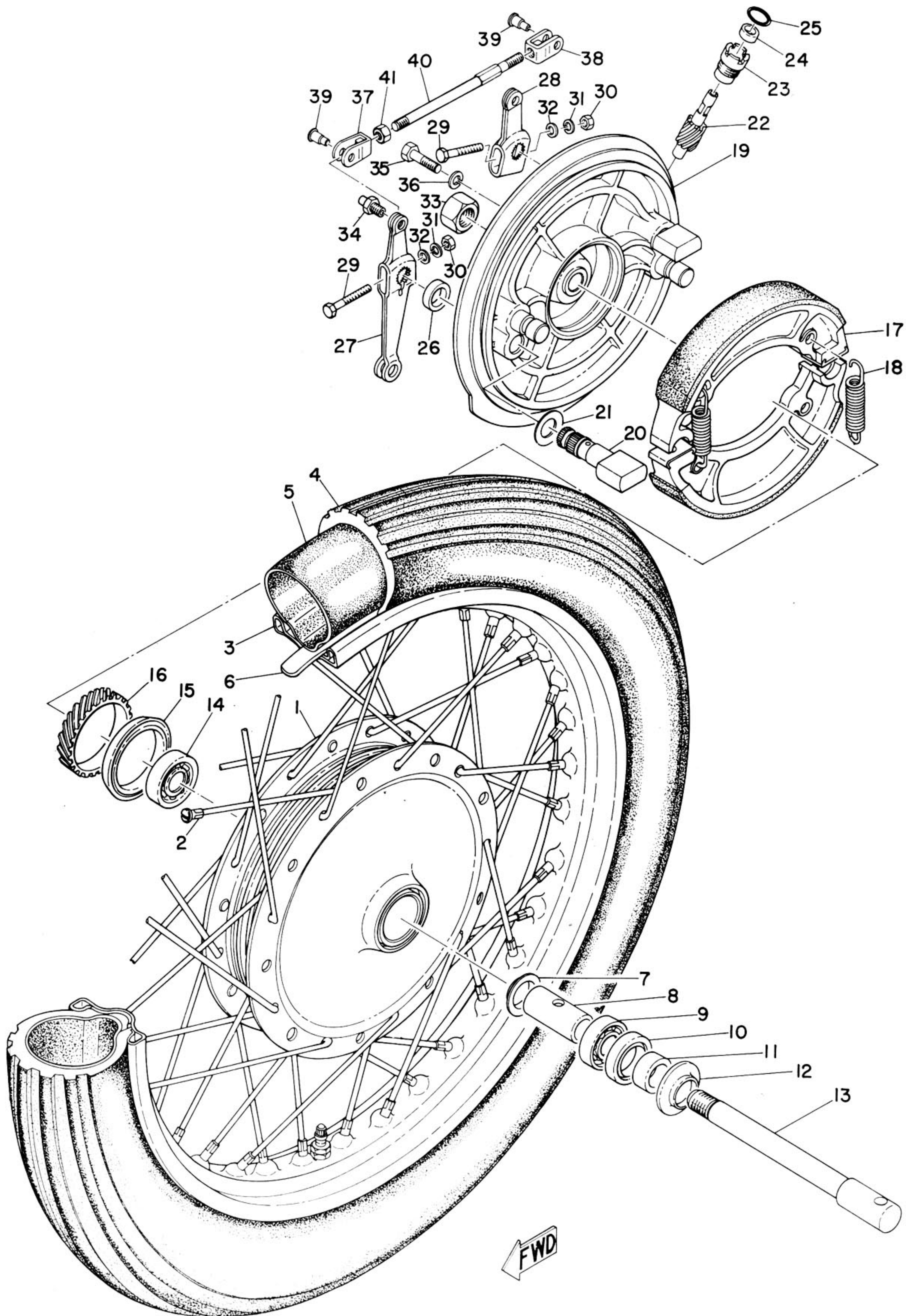
Fig. 23 FRONT WHEEL



FRONT WHEEL

Ref No.	Parts No.	Parts Name	Description	Q'ty	S·R	Remarks
23- 1	174-25111-00	HUB		1		
23- 2	174-25104-00	SPOKE SET		1s		
23- 3	94416-18039	RIM	1.60A-18	1		
23- 4	94127-18024	TIRE, front	2.75-18-4PR	1		☆
23- 5	94227-18009	TUBE	2.75-18	1		☆
23- 6	94327-18007	BAND, rim	2.75-18	1		
23- 7	148-25115-00	FLANGE, spacer		1		
23- 8	136-25317-00	SPACER, bearing		1		
23- 9	93306-30203	BEARING	6302Z	1		
23-10	93102-22027	OIL SEAL	SD-22-35-7	1		
23-11	174-25183-00	COLLAR, wheel shaft		1		
23-12	174-25118-00	COVER, hub dust		1		
23-13	141-25181-00	SHAFT, wheel		1		
23-14	93306-20204	BEARING	6204Z	1		
23-15	93107-50003	OIL SEAL	OS-50-64-7	1		
23-16	174-25135-00	GEAR, drive		1		
23-17	168-25130-00	BRAKE SHOE COMP.		2		
23-18	156-25333-00	SPRING, return		2		
23-19	174-25121-00	PLATE, brake shoe		1		
23-20	168-25151-00	CAM SHAFT		2		
23-21	148-25353-00	SHIM, cam shaft		2		
23-22	152-25138-00	GEAR, meter		1		
23-23	109-25136-00	BUSHING		1		
23-24	93104-07003	OIL SEAL	SO-7-14-4	1		
23-25	93210-14104	O-RING	2.4-13.8	1		
23-26	148-25359-00	SEAL, cam shaft		2		
23-27	168-25155-00	LEVER, cam shaft 1		1		
23-28	168-25156-00	LEVER, cam shaft 2		1		
23-29	91203-06035	BOLT		2		
23-30	92803-06100	NUT		2		
23-31	92901-06100	WASHER, spring		2		
23-32	92901-06200	WASHER, plain		2		
23-33	98803-14200	NUT	(ISO)	1		
23-34	93700-06001	NIPPLE, grease		1		
23-35	91201-06025	BOLT		1		
23-36	92901-06100	WASHER, spring		1		
23-37	174-25163-00	END, rod 1		1		
23-38	174-25164-00	END, rod 2		1		

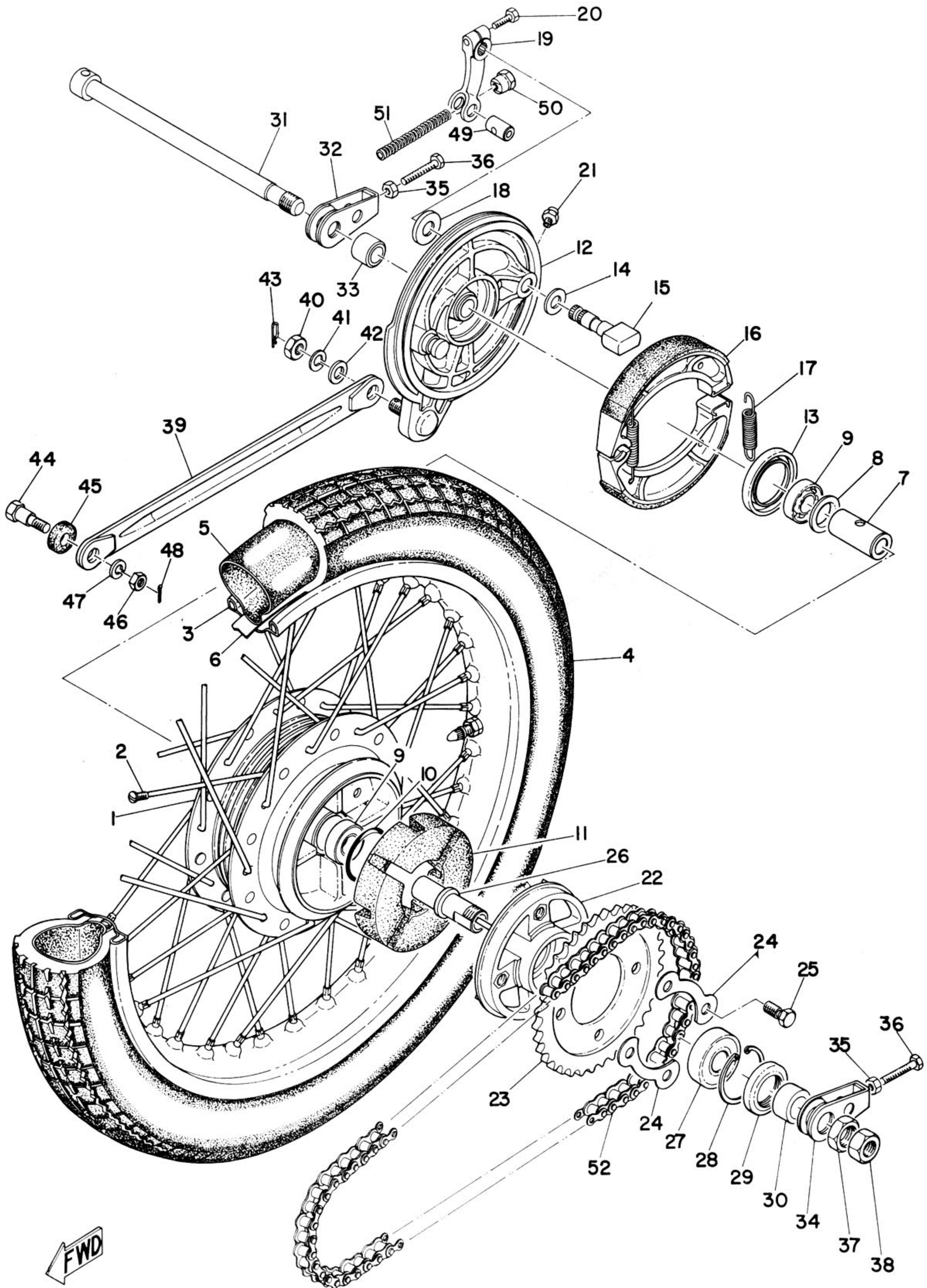
Fig. 23 FRONT WHEEL



FRONT WHEEL

Ref No.	Parts No.	Parts Name	Description	Q'ty	S·R	Remarks
23-39	174-25165-00	PIN, rod end		2		
23-40	152-25161-00	ROD, connecting		1		
23-41	*92803-06300	NUT		1		

Fig. 24 REAR WHEEL



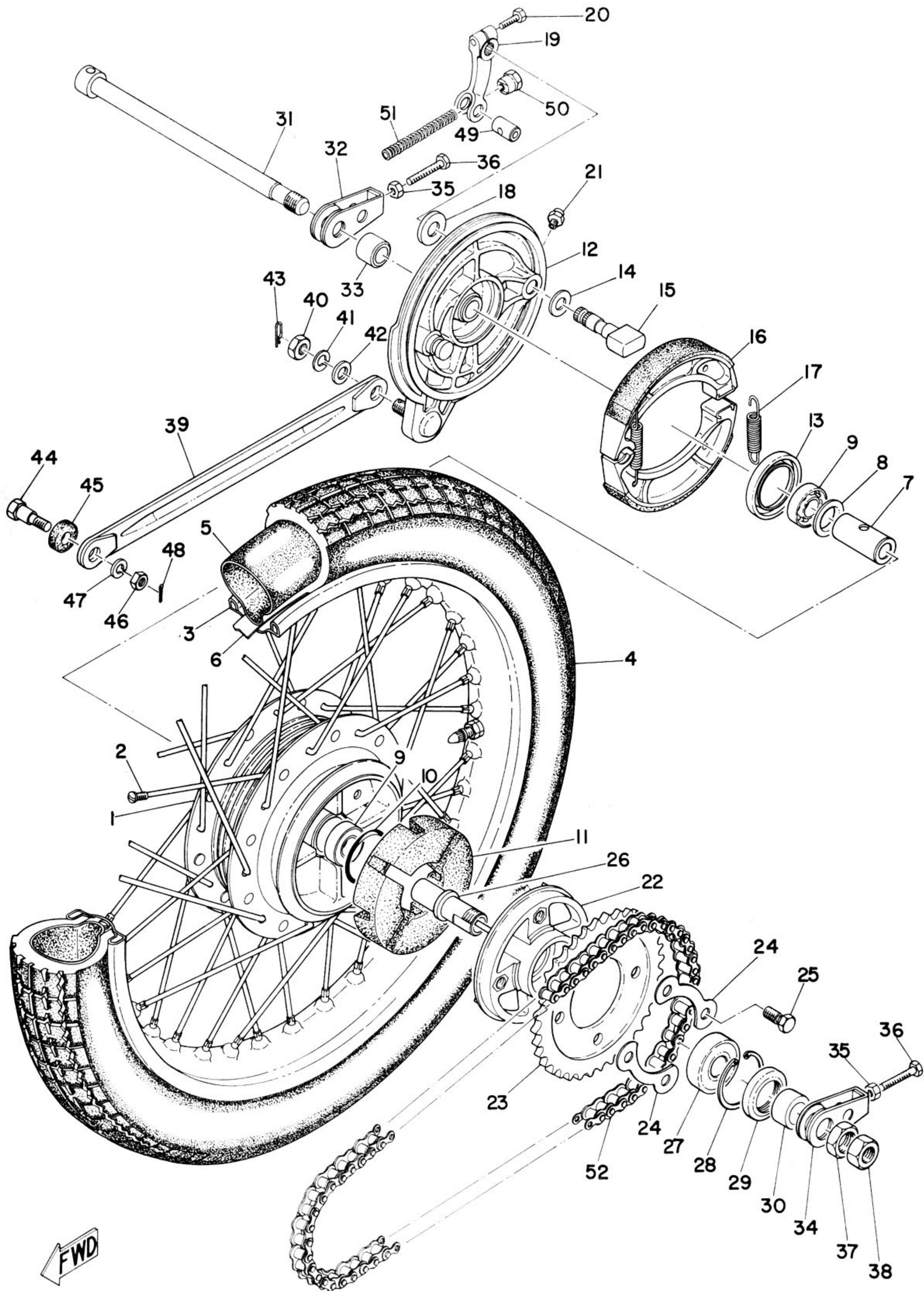
FWD

REAR WHEEL

Ref No.	Parts No.	Parts Name	Description	Q'ty	S·R	Remarks
24- 1	174-25311-00	HUB		1		
24- 2	141-25304-00	SPOKE SET		1s		
24- 3	94416-18039	RIM	1.60A-18	1		
24- 4	94130-18065	TIRE	3.00-18-4PR	1		☆
24- 5	94230-18012	TUBE	3.00-18	1		☆
24- 6	94330-18010	BAND, rim	3.00-18	1		
24- 7	136-25317-00	SPACER, bearing		1		
24- 8	136-25115-00	FLANGE, spacer		1		
24- 9	93306-20204	BEARING	6202Z	2		
24-10	93210-43043	O-RING	42.5-3.0	1		
24-11	174-25364-00	DAMPER		1		
24-12	136-25321-01	PLATE, brake shoe		1		
24-13	93101-42018	OIL SEAL	S-42-56-6	1		
24-14	136-25153-00	SHIM, cam shaft		1		
24-15	136-25351-01	CAM SHAFT		1		
24-16	174-25330-00	BRAKE SHOE COMP.		2		
24-17	137-25133-00	SPRING, return		2		
24-18	137-25159-00	SEAL, cam shaft	12-17-2	1		
24-19	137-25355-60	LEVER, cam shaft		1		
24-20	91203-06020	BOLT		1		
24-21	93700-06001	NIPPLE, grease		1		
24-22	174-25366-01	CLUTCH, hub		1		
24-23	174-25435-20	GEAR, sprocket wheel	35T	} U.R 1		
	174-25437-20	GEAR, sprocket wheel	37T			
	174-25439-20	GEAR, sprocket wheel	39T			
24-24	148-25412-00	WASHER, lock		2		
24-25	141-25411-00	BOLT, fitting		4		
24-26	174-25387-00	SHAFT, sprocket wheel		1		
24-27	93306-20404	BEARING	6204Z	1		
24-28	93420-47008	CIRCLIP	R47	1		
24-29	93106-30008	OIL SEAL	DD-30-47-5	1		
24-30	174-25386-01	COLLAR, sprocket shaft		1		
24-31	174-25381-00	SHAFT, wheel		1		
24-32	174-25389-00	PULLER, chain (R.H)		1		
24-33	174-25383-00	COLLAR, wheel shaft		1		
24-34	174-25388-00	PULLER, chain (L.H)		1		
24-35	92801-06300	NUT		2		
24-36	167-25379-00	BOLT, chain puller		2		



Fig. 24 REAR WHEEL

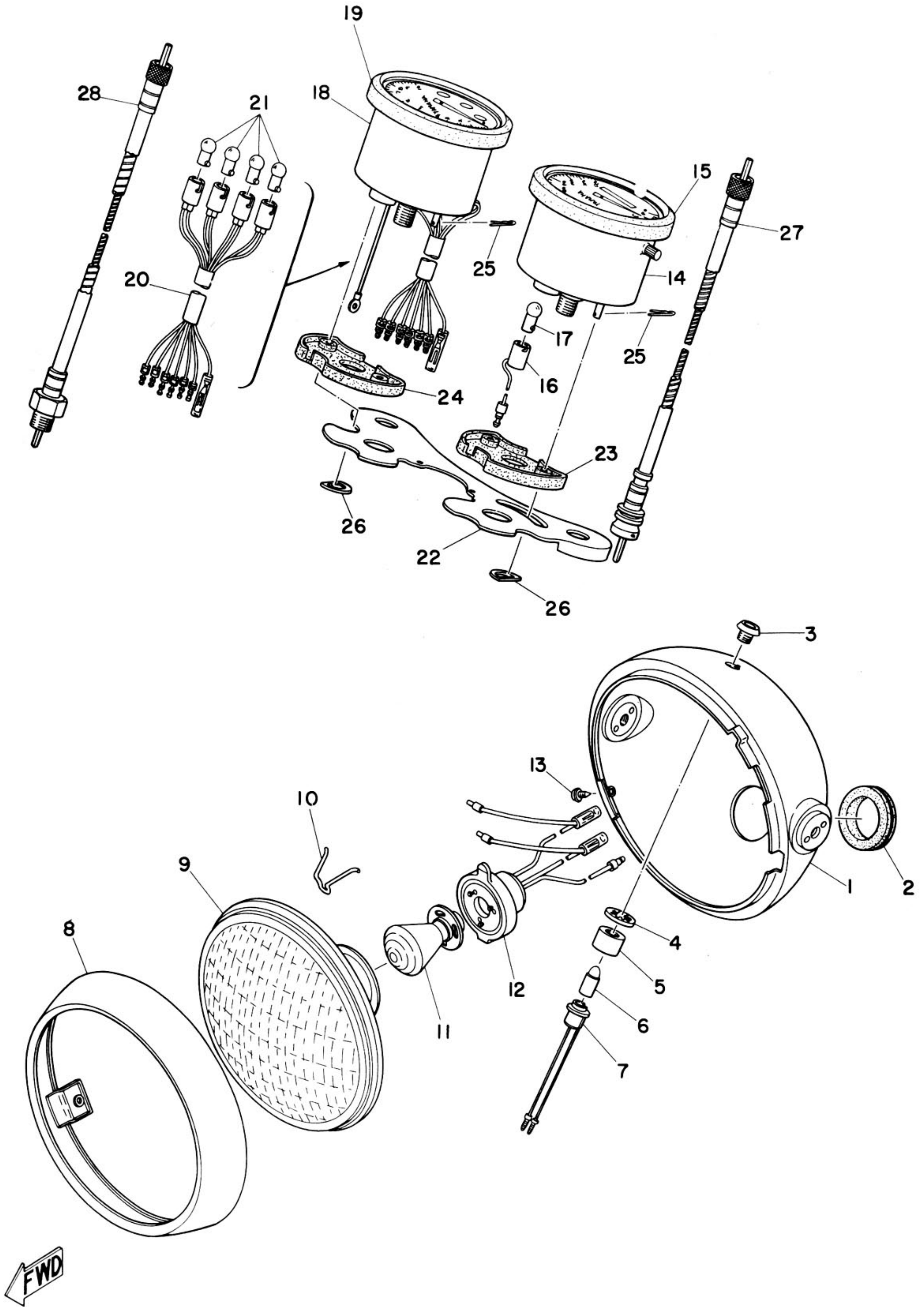


FWD

REAR WHEEL

Ref No.	Parts No.	Parts Name	Description	Q'ty	S·R	Remarks
24-37	137-25385-00	NU T, sprocket shaft		1		
24-38	98803-14200	NU T	(ISO)	1		
24-39	174-25371-00	. BAR, tension		1		
24-40	92801-10300	NU T		1		
24-41	92901-12100	WASHER, spring		1		
24-42	92901-10200	WASHER, plain		1		
24-43	136-25375-00	CLIP, tension bar		1		
24-44	174-25373-00	BOLT, tension bar		1		
24-45	174-25374-00	SPRING, tension bar		1		
24-46	98801-08100	NU T	(ISO)	1		
24-47	92901-08100	WASHER, spring		1		
24-48	91401-20012	PIN, cotter		1		
24-49	156-27237-00	PIN, clevis		1		
24-50	206-27238-00	NU T, adjusting	(ISO)	1		
24-51	180-27236-00	SPRING, rod		1		
24-52	94514-28106	CHAIN	428 T-106P	1		
24-52-1	94614-28001	. JOINT, chain		1		

Fig. 25 HEAD LAMP, SPEEDOMETER & TACHOMETER

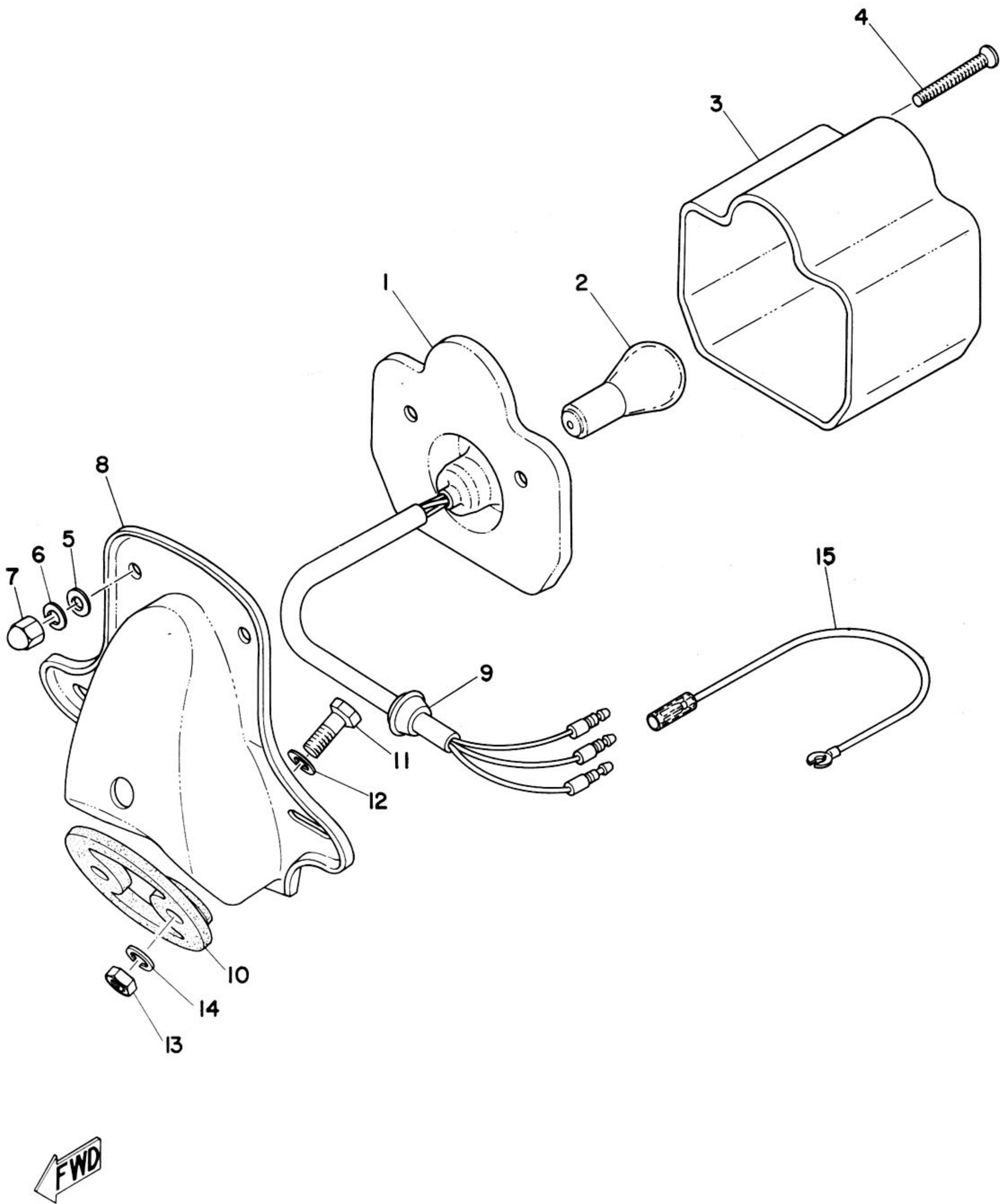


FWD

HEAD LAMP, SPEEDOMETER & TACHOMETER

Ref No.	Parts No.	Parts Name	Description	Q'ty	S·R	Remarks
25- 1	237-84330-60-62	BODY ASS'Y		1		Adrian Blue
	237-84330-60-63	BODY ASS'Y		1		Brilliant Red
	237-84330-60-65	BODY ASS'Y		1		Carifornian Orange
25- 2	214-84153-60	. GROMMET		1		
25- 0-1	235-84301-60	PILOT LAMP ASS'Y		1		
25- 3	214-84157-60	. BODY, pilot lamp		1		
25- 4	92901-12300	. WASHER, tooth		1		
25- 5	214-84158-60	. NUT, pilot lamp		1		
25- 6	235-84346-00	. BULB	12V 1.5W	1		☆
25- 7	214-84150-60	. SOCKET CORD ASS'Y		1		
25- 0-2	237-84310-00	HEAD LAMP UNIT ASS'Y	(ISO)	1		
25- 8	237-84315-00	. RIM, head lamp	(ISO)	1		
25- 9	237-84320-00	. LENS ASS'Y		1		
25-10	195-84324-00	. SPRING, reflector set		4		
25-11	235-84314-00	. BULB, head lamp	12V 35/25W	1		☆
25-12	235-84312-60	. SOCKET		1		
25-13	195-84325-00	SCREW, rim fitting	(ISO)	1		
25-14	237-83510-20	SPEEDOMETER ASS'Y		1		Km/H
	237-83510-40	SPEEDOMETER ASS'Y		1		Mile/H
25-15	214-83513-00	. DAMPER, speedometer		1		
25-16	214-83536-30	. SOCKET, meter		1		
25-17	123-83516-20	. BULB	15V 3W	1		☆
25-18	237-83540-00	TACHOMETER ASS'Y		1		
25-19	214-83513-00	. DAMPER, speedometer		1		
25-20	235-83520-00	. SOCKET ASS'Y		1		
25-21	123-83516-20	. BULB, pilot	15V 3W	4		☆
25-22	237-83519-00-33	BRACKET, meter	(ISO)	1		
25-23	214-83523-00	DAMPER		1		
25-24	237-83523-00	DAMPER		1		
25-25	156-83525-00	CLIP		4		
25-26	214-83524-00	WASHER, special		4		
25-27	237-83550-00	SPEEDOMETER CABLE ASS'Y		1		
25-28	237-83560-00	TACHOMETER CABLE ASS'Y		1		

Fig. 26 TAIL LAMP

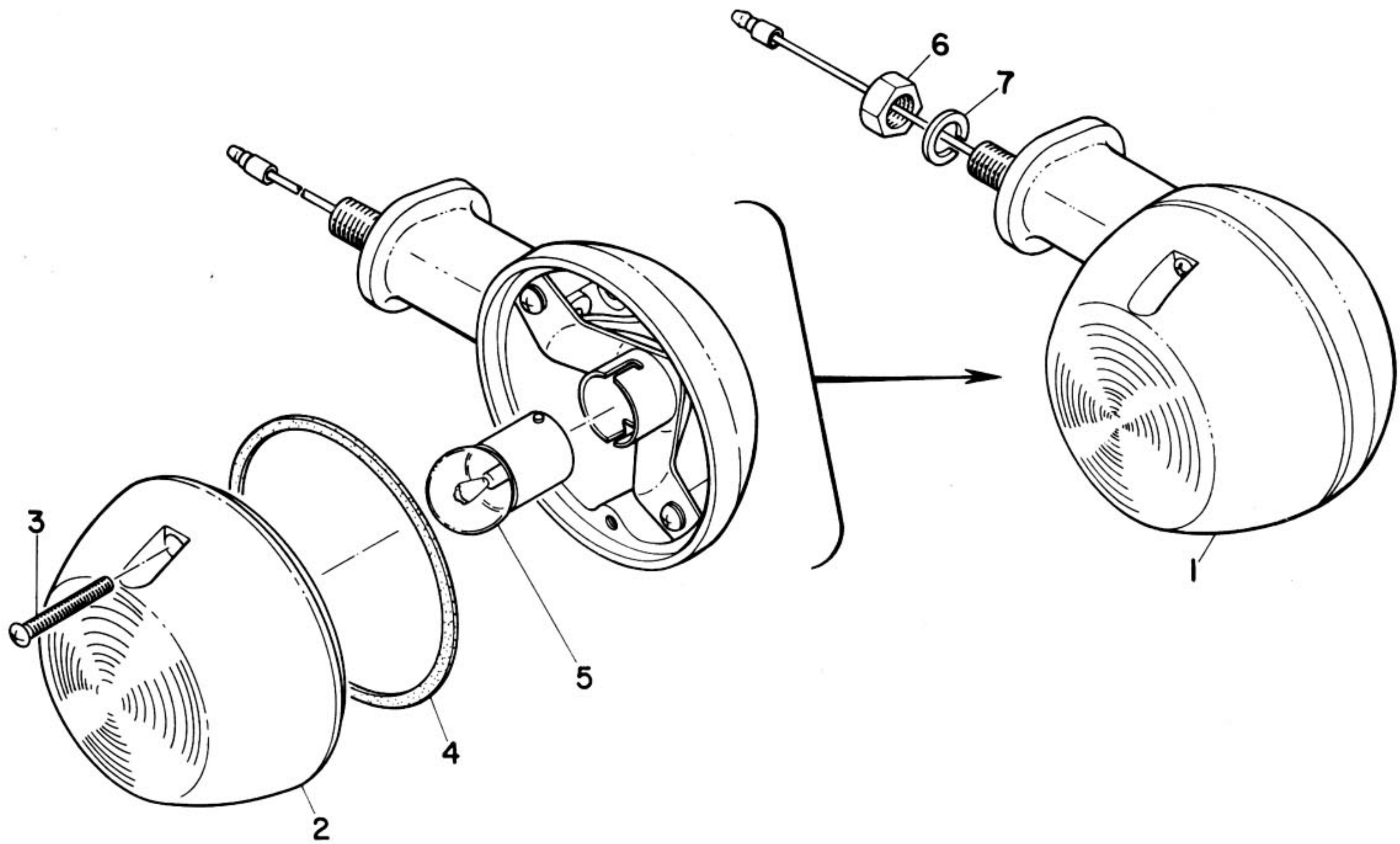


TAIL LAMP

Ref No.	Parts No.	Parts Name	Description	Q'ty	S·R	Remarks
26- 0-1	193-84710-00	TAIL LAMP UNIT ASS'Y	ISO	1		
26- 1	193-84711-00	. BASE, tail lamp	ISO	1		
26- 2	168-84714-00	. BULB, tail lamp	12V 23/7W	1		☆
26- 3	168-84721-00	. LENS, tail lamp		1		
26- 4	193-84724-00	. SCREW, lens fitting	ISO	2		
26- 5	92901-06200	. WASHER, plain		2		
26- 6	92901-06100	. WASHER, spring		2		
26- 7	92803-06700	. NUT, crown		2		
26- 8	164-84751-60-35	BRACKET, licence		1		
26- 9	152-84518-00	GROMMET, tail lamp		2		
26-10	174-84753-00	DAMPER		1		
26-11	168-21738-00	BOLT, fitting		2		
26-12	156-24186-00	WASHER, special		2		
26-13	92801-06100	NUT		2		
26-14	92901-06100	WASHER, spring		2		
26-15	173-84756-00	WIRE, earth lead		1		



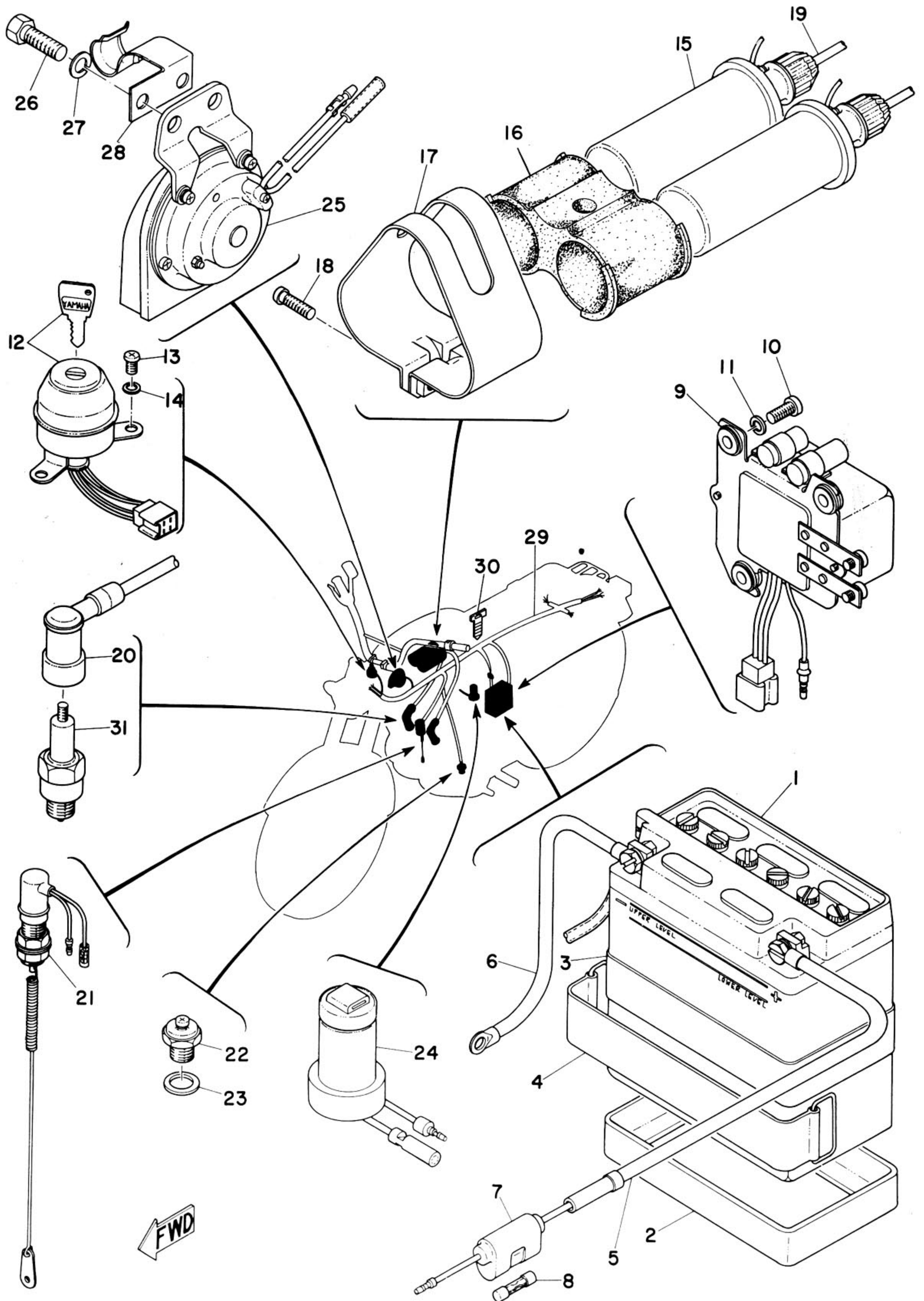
Fig. 27 FLASHER LAMP



FLASHER LAMP

Ref No.	Parts No.	Parts Name	Description	Q'ty	S·R	Remarks
27- 1	193-83310-21	FRONT FLASHER LAMP ASS'Y	(ISO)	2		
	193-83330-21	REAR FLASHER LAMP ASS'Y	(ISO)	2		
27- 2	183-83332-20	. LENS, flasher		4		
27- 3	183-83333-21	. SCREW, lens fitting	(ISO)	8		
27- 4	183-83313-20	. GASKET, flasher lens		4		
27- 5	136-83311-20	. BULB, flasher	12V 8W	4		☆
27- 6	98801-08200	NUT	(ISO)	4		
27- 7	92901-08100	WASHER, spring		4		

Fig. 28 ELECTRICAL



ELECTRICAL

Ref No.	Parts No.	Parts Name	Description	Q'ty	S·R	Remarks
28- 1	173-82110-70	BATTERY ASS'Y		1		
28- 1-1	104-82111-20	. CAP, battery		6		
28- 2	173-82122-00	SEAT, battery		1		
28- 3	165-82124-00	BAND, battery		1		
28- 4	137-82131-01	BAND, battery		1		
28- 5	173-82115-00	WIRE, plus lead		1		
28- 6	173-82116-00	WIRE, minus lead		1		
28- 7	164-82150-00	FUSE HOLDER ASS'Y		1		
28- 8	148-82151-00	. FUSE		2		
28- 9	173-81910-10	VOLTAGE REGULATOR ASS'Y		1		HITACHI
	173-81910-20	VOLTAGE REGULATOR ASS'Y		1		mitsubishi
28-10	92501-06015	SCREW, pan head		3		
28-11	92901-06100	WASHER, spring		3		
28-12	237-82510-10	MAIN SWITCH ASS'Y		1		
28-12-1	235-82511-10	. KEY, main switch		2		
28-13	98501-05008	SCREW, pan head	(ISO)	2		
28-14	92901-05100	WASHER, spring		2		
28-15	174-82310-60	IGNITION COIL ASS'Y		2		
	174-82310-70	IGNITION COIL ASS'Y		2		
28-16	168-82317-00	HOLDER, coil fitting		1		
28-17	237-82311-00	BAND, coil fitting		1		
28-18	92501-06020	SCREW, pan head		2		
28-19	183-82341-00	CORD, high tension		2		
28-20	166-82370-20	PLUG CAP ASS'Y		2		
28-21	193-82530-01	STOP SWITCH ASS'Y		1		HITACHI
28-22	136-82540-00	NEUTRAL SWITCH ASS'Y		1		mitsubishi
28-23	136-82543-00	GASKET		1		
28-24	183-83350-20	FLASHER RELAY ASS'Y		1		
28-25	227-83371-20	HORN		1		
28-26	97201-08025	BOLT	(ISO)	2		
28-27	92901-08100	WASHER, spring		2		
28-28	237-21337-00	CLAMP, wire		1		
28-29	237-82590-10	WIRE HARNESS ASS'Y		1		
28-30	150-82591-00	BAND		1		
28-31	94700-00004	PLUG, spark	B7HZ	2		



NUMERICAL INDEX





NUMERICAL INDEX

Ref No.	Parts No.	Ref No.	Parts No.	Ref No.	Parts No.
20-13	101-24356-00	10-31	132-14173-00	20-17	132-24521-00
21-14	101-24356-00	10-30	132-14174-00	20-18	132-24522-00
5-27	102-17462-00	11- 9	132-14613-00	20-25	132-24525-00
4-24	102-17463-00	11-10	132-14713-00	20-20	132-24531-00
5-30	102-17463-00	11-11	132-14714-00	20-21	132-24532-00
4-23	102-17464-00	1-11	132-15351-00	17-18	132-27416-00
5-29	102-17464-00	1-12	132-15353-00	14- 3	132-81221-10
11-14	102-27114-00	1-13	132-15371-00	14- 8	132-81225-10
23-23	109-25136-00	7- 0-1	132-15610-01	14- 7	132-81226-10
15-36	116-28317-00	7-11	132-15611-01	14-24	132-81231-10
7- 4	117-15644-00	7-14	132-15616-00	14-12	133-81132-10
21-19	117-21782-00	7-15	132-15617-00	15-17	135-22245-00
15-30	118-21787-00	5-24	132-15653-00	3-24	136-11561-00-05
16- 7	120-27430-02	7- 6	132-15664-00	3-24	136-11561-00-06
16- 7-1	120-27431-00	7- 7	132-15665-00	3-24	136-11561-00-07
7-12	122-15612-01	7- 8	132-15676-00	3-24	136-11561-00-08
18-25	122-23119-01	4- 8	132-16321-00	15-18	136-22243-00
18-26	122-23129-00	4-10	132-16333-00	18-33	136-23415-00
18-20	122-23346-00	4-21	132-16345-00	24- 8	136-25115-00
18-53	122-23483-00	4-22	132-16346-00	24-14	136-25153-00
20-14	122-24610-01	5- 3	132-17216-00	23- 8	136-25317-00
17-23	122-27317-01	5-21	132-17216-00	24- 7	136-25317-00
17-19	122-27413-00	5- 4	132-17414-00	24-12	136-25321-01
25-17	123-83516-20	5-22	132-17414-00	24-15	136-25351-01
25-21	123-83516-20	6-33	132-18113-01	24-43	136-25375-00
12- 1	126-13116-00	6-25	132-18123-00	28-22	136-82540-00
10- 4	127-14190-15	6-26	132-18124-00	28-23	136-82543-00
10- 5	127-14195-00	6-27	132-18133-00	27- 5	136-83311-20
1-22	131-11175-00	6-30	132-18137-00	12-15	137-13128-00
3-20	131-11633-00	6-23	132-18143-00	12-10	137-13137-00
3-21	131-11634-00	6-21	132-18148-01	12-11	137-13138-01
13-19	131-81213-20	6-22	132-18177-00	12-20	137-13165-00
28- 1-1	131-82111-70	6-16	132-18533-01	12-19	137-13167-00
3- 9	132-11561-00	20-27	132-24312-00	12-23	137-13167-00
12-24	132-13166-00	20-15	132-24500-02	12-18	137-13169-00
12-27	132-13174-00	20-16	132-24511-02	12- 4	137-13176-00
10-28	132-14135-00	20-19	132-24515-00	12-21	137-13187-00
10-38	132-14146-00	20-24	132-24518-00	10-12	137-14125-00

NUMERICAL INDEX

Ref No.	Parts No.	Ref No.	Parts No.	Ref No.	Parts No.
10-21	137-14136-00	18-39	141-23427-00	19-33	156-27229-00
10- 3	137-14143-11	23-13	141-25181-00	24-49	156-27237-00
10- 3-1	137-14143-12	24- 2	141-25304-00	18-42	156-83525-00
10- 3-2	137-14143-13	24-25	141-25411-00	25-25	156-83525-00
10- 3-3	137-14143-14	14-23	141-81113-10	3-22	164-11601-01
10- 3-4	137-14143-15	14-41	141-81152-10	3-22-1	164-11601-11
10- 7	137-14186-00	3-23	146-11545-00	3-22-2	164-11601-21
6-19	137-15353-00	23- 7	148-25115-00	10-20	164-14137-00
4- 6	137-16324-00	23-21	148-25353-00	10- 9	164-14184-00
4-11	137-16337-01	23-26	148-25359-00	2- 7	164-15415-00
4- 9	137-16351-00	24-24	148-25412-00	3-34	164-16119-00
4- 7	137-16367-00	28- 8	148-82151-00	5- 8	164-17427-00-06
3-33	137-16377-00	17-25	150-27316-00	5- 8	164-17427-00-08
21- 5	137-21761-00	28-30	150-82591-00	5- 8	164-17427-00-10
21- 2	137-21762-00	10-22	152-14131-00	6- 5	164-18552-01
21- 4	137-21763-00	23-22	152-25138-00	6-10	164-18561-00
21- 3	137-21764-00	23-40	152-25161-00	6-14	164-18571-00
21-16	137-21767-00	26- 9	152-84518-00	6-13	164-18572-00
21-15	137-21768-00	3-27	156-11562-00-05	16- 6	164-22216-00
21- 7	137-21772-02	3-27	156-11562-00-06	15-20	164-22241-00
21- 6	137-21772-61	3-27	156-11562-00-07	18-28	164-23462-00
15-32	137-21778-00	10-19	156-14116-10	17-15	164-27414-00
21-12	137-21778-00	7-17	156-15618-01	17-17	164-27417-00
18-18	137-23111-00	18-27	156-23411-00	13- 8	164-81226-20
18-17	137-23112-00	18-30	156-23412-00	28- 7	164-82150-00
18-16	137-23114-00	18-40	156-23418-00	26- 8	164-84751-60-35
18- 5	137-23125-00	18-52	156-23480-00	13-16	165-81111-20
18- 8	137-23143-00	20- 6	156-24181-00	13- 9	165-81126-20
18- 7	137-23145-00	20- 9	156-24182-01	28- 3	165-82124-00
18- 4	137-23147-00	20- 8	156-24186-00	1-21	166-11171-60
18-34	137-23454-00	26-12	156-24186-00	28-20	166-82370-20
20-22	137-24523-00	20-10	156-24187-00	24-36	167-25379-00
24-17	137-25133-00	23-18	156-26333-01	15-29	168-21713-00
24-18	137-25159-00	19-23	156-26361-01	21-11	168-21713-00
24-19	137-25355-60	19-28	156-26341-01	15-27	168-21714-00
24-37	137-25385-00	19-31	156-26346-00	21- 8	168-21714-00
17- 5	137-27219-00	19-32	156-26347-00	15-28	168-21715-00
28- 4	137-82131-01	19-34	156-27226-00	21-10	168-21729-00

NUMERICAL INDEX

Ref No.	Parts No.	Ref No.	Parts No.	Ref No.	Parts No.
26-11	168-21738-00	1-18	174-11181-00	7-15	174-15363-00
20- 7	168-24176-00	1-15	174-11351-00	5-11	174-15389-00
20-12	168-24312-00	1-14	174-11361-00	2-18	174-15416-00
20-23	168-24524-00	3- 0-1	174-11400-00	2- 2	174-15418-01
23-17	168-25130-00	3- 1	174-11412-00	4-13	174-15631-00
23-20	168-25151-00	3- 2	174-11422-00	4- 1	174-16105-00
23-27	168-25155-00	3- 3	174-11432-00	3-32	174-16111-00
23-28	168-25156-00	3- 4	174-11442-00	4- 4	174-16154-00
19-29	168-26337-00	3-13	174-11511-01	4-14	174-16164-00
19-30	168-26344-00	3-14	174-11512-01	4-12	174-16176-00
13- 3	168-81221-21	3-11	174-11515-00	4- 0-1	174-16301-01
13- 4	168-81222-21	3-30	174-11523-00	4-25	174-16356-00
13-20	168-81231-20	3-16	174-11541-01	4-15	174-16357-00
28-16	168-82317-00	3- 5	174-11651-00	4- 5	174-16371-01
26- 2	168-84714-00	3- 8	174-11681-00	5- 7	174-17121-00
26- 3	168-84721-00	3- 7	174-11685-00	5- 6	174-17131-00
9-21	169-26290-00	12- 2	174-13175-00	5- 5	174-17141-00
6-32	173-18111-01	12- 6	174-13178-00	5- 2	174-17151-00
16- 5	173-22151-00	9-13	174-13556-01	5-20	174-17211-00
22- 6	173-24717-00	10-14	174-14122-00	5-16	174-17221-00
17-14	173-27412-00-33	10-16	174-14123-00	5-17	174-17231-00
14-19	173-81111-10	10-15	174-14134-00	5-18	174-17241-00
13-12	173-81132-20	10-17	174-14134-00	5-19	174-17251-00
13-33	173-81152-20	10- 2	174-14141-26	5- 0-1	174-17401-00
14-38	173-81153-10	10-26	174-14169-01	5- 0-2	174-17402-00
13-31	173-81153-20	10-27	174-14171-00	5- 1	174-17411-00
14- 1	173-81155-10	10-35	174-14177-00	5-15	174-17421-00
13- 1	173-81155-20	10-29	174-14178-00	5-28	174-17461-00
14-39	173-81162-10	10- 8	174-14181-01	5-28	174-17461-50
28- 9	173-81910-10	9- 1	174-14411-01-33	5-28	174-17461-60
38- 9	173-81910-20	9- 3	174-14412-00-33	6-24	174-18101-01
28- 1	173-82110-70	9- 4	174-14428-00	6- 0-1	174-18301-02
28- 5	173-82115-00	9- 2	174-14451-00	6- 2	174-18511-00
28- 6	173-82116-00	9- 9	174-14456-01	6- 3	174-18512-00
28- 2	173-82122-00	11- 6	174-14611-00	6- 4	174-18513-00
28-15	173-84756-00	11- 8	174-14612-01	6- 1	174-18541-02
1-19	174-11111-00	11- 7	174-14621-00	6- 7	174-18544-00
1-20	174-11121-00	11- 1	174-14710-01	6-18	174-18558-00

NUMERICAL INDEX

Ref No.	Parts No.	Ref No.	Parts No.	Ref No.	Parts No.
6-20	174-18578-00	20-28	174-24312-00	17- 3	174-27216-00
15- 2	174-21315-00-33	22- 2	174-24741-00	17-11	174-27231-01
15- 3	174-21316-00-33	22- 5	174-24830-00	17-16	174-27411-01-33
15- 7	174-21481-00	23- 2	174-25104-00	15-39	174-28100-01
15- 8	174-21482-00	23- 1	174-25111-00	15-35	174-28316-00
15- 9	174-21483-00	23-12	174-25118-00	28-15	174-82310-60
15- 4	174-21484-00	23-19	174-25121-00	28-15	174-82310-70
18-57	174-21518-00	23-16	174-25135-00	26-10	174-84753-00
15-12	174-21610-00	23-37	174-25163-00	7- 3	180-15641-00
15-13	174-21626-00	23-38	174-25164-00	5-23	180-15651-01
15-33	174-21717-00	23-39	174-25165-00	7- 1	180-15661-00
15-34	174-21746-00	23-11	174-25183-00	7- 2	180-15687-00
21-13	174-21766-00	24- 1	174-25311-00	10-39	183-14196-00
21-18	174-21776-00	24-16	174-25330-00	10-37	183-14197-01
15-31	174-21786-00	24-11	174-25364-00	2- 3	183-15438-00
15-38	174-21797-00-33	24-22	174-25366-01	18-22	183-23318-00
16- 1	174-22110-02-33	24-39	174-25371-00	18-31	183-23411-00
16- 3	174-22123-00	24-44	174-25373-00	18-32	183-23419-00
16- 2	174-22141-00	24-45	174-25374-00	18-41	183-23419-00
15-16	174-22210-00-62	24-31	174-25381-00	21-17	183-24369-00
15-16	174-22210-00-63	24-33	174-25383-00	24-51	180-27236-00
15-16	174-22210-00-65	24-30	174-25386-01	14-37	183-81435-00
16- 9	174-22311-00	24-26	174-25387-00	28-19	183-82341-00
18-13	174-23116-00	24-34	174-25388-00	27- 4	183-83313-20
18-11	174-23123-00-62	24-32	174-25389-00	27- 2	183-83332-20
18-11	174-23123-00-63	24-23	174-25435-20	27- 3	183-83333-21
18-11	174-23123-00-65	24-23	174-25437-20	28-24	183-83350-20
18- 1	174-23126-00	24-23	174-25437-20	1-16	193-11311-00
18- 2	174-23136-00	19- 1	174-26111-00	1-17	193-11321-00
18- 9	174-23141-00	19- 1	174-26111-10	3-19	193-11631-01-01
18-10	174-23142-00	19- 1	174-26111-20	3-19	193-11631-01-96
18-46	174-23421-00	19-26	174-26321-00	3-19	193-11631-01-97
18-49	174-23422-00	19-28	174-26341-10	3-19	193-11631-01-98
18-50	174-23425-00	19-28	174-26341-20	3-19	193-11631-01-99
18-35	174-23435-00	17- 2	174-27112-00	3-19-1	193-11631-11
18-43	174-23441-00	17- 7	174-27115-00	3-19-2	193-11631-21
18-37	174-23443-00	17- 8	174-27116-00	12- 0-1	193-13101-01
18-51	174-23453-00	17- 4	174-27211-00	9-11	193-13555-60

NUMERICAL INDEX

Ref No.	Parts No.	Ref No.	Parts No.	Ref No.	Parts No.
9-12	193-13565-60	26- 0-1	193-84710-00	19- 2	235-26241-00
10- 0-1	193-14101-61	26- 1	193-84711-00	19-19	235-26241-00
10- 0-2	193-14102-61	26- 4	193-84724-00	28-12-1	235-82511-10
10-18	193-14112-25	9-10	194-14455-00	28-19	235-82511-10
10-18-1	193-14113-25	25-10	195-84324-00	25-20	235-83520-00
10-25	193-14124-26	25-13	195-84325-00	25- 0-1	235-84301-60
10-24	193-14133-00	14-16	199-81133-10	25-12	235-84312-60
10- 1	193-14142-30	11- 3	201-14753-01	25-11	235-84314-00
10-23	193-14158-00	24-50	206-27238-00	25- 6	235-84346-00
10-32	193-14175-01	16- 8	206-27436-00	12-25	237-13161-00
10-34	193-14176-00	7-13	214-15625-00	12-26	237-13171-00
10- 6	193-14185-00	4-18	241-16341-00	1- 1	237-15111-00
10-33	193-14486-00	4-16	241-16342-00	1- 2	237-15121-00
9- 8	193-14453-00	8- 4	214-17811-01	2-13	237-15324-00
11- 2	193-14720-00	8-10	214-17812-00	2- 1	237-15410-00
15-21	193-21170-00-33	8- 9	214-17815-00	2-14	237-15421-00
18-54	193-21510-00	8- 2	214-17837-00	2-10	237-15425-00
15-26	193-21711-60-01	8- 8	214-17847-00	8- 1	237-17861-00
15-26	193-21711-60-02	19-20	214-26243-00	15- 1	237-21110-00-33
15-26	193-21711-60-03	19- 4	214-82911-00	28-28	237-21337-00
21- 1	193-21751-00-01	19- 0-1	214-82910-00	18- 0-1	237-23100-00-62
21- 1	193-21751-00-02	25-15	214-83513-00	18- 0-1	237-23100-00-63
21- 1	193-21751-00-03	25-19	214-83513-00	18- 0-1	237-23100-00-65
15-37	193-21787-60	25-23	214-83523-00	18-14	237-23121-00-62
18- 6	193-23127-00	25-26	214-83524-00	18-14	237-23121-00-63
18-12	193-23163-00	25-16	214-83536-30	18-14	237-23121-00-65
19-24	103-26312-00	19- 5	214-83912-00	18- 3	237-23124-00
19-25	193-26313-00	19- 6	214-83915-00	18-15	237-23131-00-62
17- 1	193-27111-00-33	19-14	214-83915-00	18-15	237-23131-00-63
17-22	193-27311-00-33	25- 7	214-84150-60	18-15	237-23131-00-65
14- 0-1	193-81100-10	25- 2	214-84153-60	18-19	237-23340-00-33
13- 0-1	193-81100-20	25- 3	214-84157-60	20- 1	237-24110-00-01
14- 2	193-81110-10	25- 5	214-84158-60	20- 1	237-24110-00-02
13- 2	193081110-20	20- 4	227-24161-00	20- 1	237-24110-00-03
13-30	193-81135-20	28-25	227-83371-20	20- 2	237-24171-00
28-21	193-82530-01	19- 0-2	233-82920-00	20- 3	237-24172-00
27- 1	193-83310-21	19-12	233-82921-30	22- 1	237-24730-00
27- 1	193-83330-21	19-13	233-83922-31	22- 1-1	237-24731-00
				19-22	237-26311-00

NUMERICAL INDEX

Ref No.	Parts No.	Ref No.	Parts No.	Ref No.	Parts No.
19-22	237-26311-10	23-29	91203-06035	15- 5	92801-10100
19-22	237-26311-20	22- 3	91203-10030	24-40	92801-10300
19-27	237-26335-00	19- 8	91401-12015	19- 7	92802-06500
19-27	237-26335-10	19-16	91401-12015	19-15	92802-06500
19-27	237-26335-20	12-16	91401-12018	9- 5	92803-06100
28-17	237-82311-00	17-10	91401-20012	23-30	92803-06100
28-12	237-82510-10	17-13	91401-20012	23-41	92803-06300
28-29	237-82590-10	19-35	91401-20012	26- 7	92803-06700
25-14	237-83510-20	24-48	91401-20012	15-19	92803-10700
25-14	237-83510-40	6- 6	91401-25020	10-11	92901-04100
25-22	237-83519-00-33	10-36	91405-12006	17- 9	92901-04200
25-24	237-83523-00			6-12	92901-05100
25-18	237-83540-00	1- 8	91810-03014	12-12	92901-05100
25-27	237-83550-00	2-12	91810-03014	28-14	92901-05100
25-28	237-83560-00	1- 3	91810-08016	11- 5	92901-05200
19- 3	237-83972-10	2-19	92501-06010	8-12	92901-06100
19-11	237-83972-10	8-11	92501-06010	9-15	92901-06100
25- 0-2	237-84310-00	16-10	92501-06010	16-12	92901-06100
25- 8	237-84315-00	28-10	92501-06015	18-48	92901-06100
25- 9	237-84320-00	2- 9	92501-06020	18-59	92901-06100
25- 1	237-84330-60-62	28-18	92501-06020	19-10	92901-06100
25- 1	237-84330-60-63	2-17	92501-06035	19-18	92901-06100
25- 1	237-84330-60-65	2- 5	92501-06040	23-31	92901-06100
1-10	241-15357-00	2- 8	92501-06040	23-36	92901-06100
4-20	241-16343-00	2-16	92501-06040	26- 6	92901-06100
18-38	246-23428-00	1- 4	92501-06050	26-14	92901-06100
5-13	248-17471-00	2- 4	92501-06050	28-11	92901-06100
8- 3	248-17830-00	1- 5	92501-06060	17-12	92901-06200
8- 5	248-17841-00	1- 6	92501-06085	23-32	92901-06200
		1- 7	92501-06100	26- 5	92901-06200
18-47	91101-06010	2- 6	92501-06140	11-13	92901-08100
6-34	91101-06020	16-11	92503-06012	15-11	92901-08100
7-16	91101-06200	10-13	92801-06100	15-15	92901-08100
9-14	91201-06015	18-58	92801-06100	15-24	92901-08100
23-35	91201-06025	20-11	92801-06100	17-21	92901-08100
19- 9	91203-06020	26-13	92801-06100	18-24	92901-08100
19-17	91203-06020	24-35	92801-06300	18-45	92901-08100
24-20	91203-06020	4-19	92801-06300	18-56	92901-08100
				22- 8	92901-08100





YAMA
PARTS



YAMAHA MOTOR CO., LTD.

PRINTED IN JAPAN