



YAMA
PARTS



YAMAHA

PARTS LIST

MODEL CS5E

YAMAHA MOTOR CO., LTD.



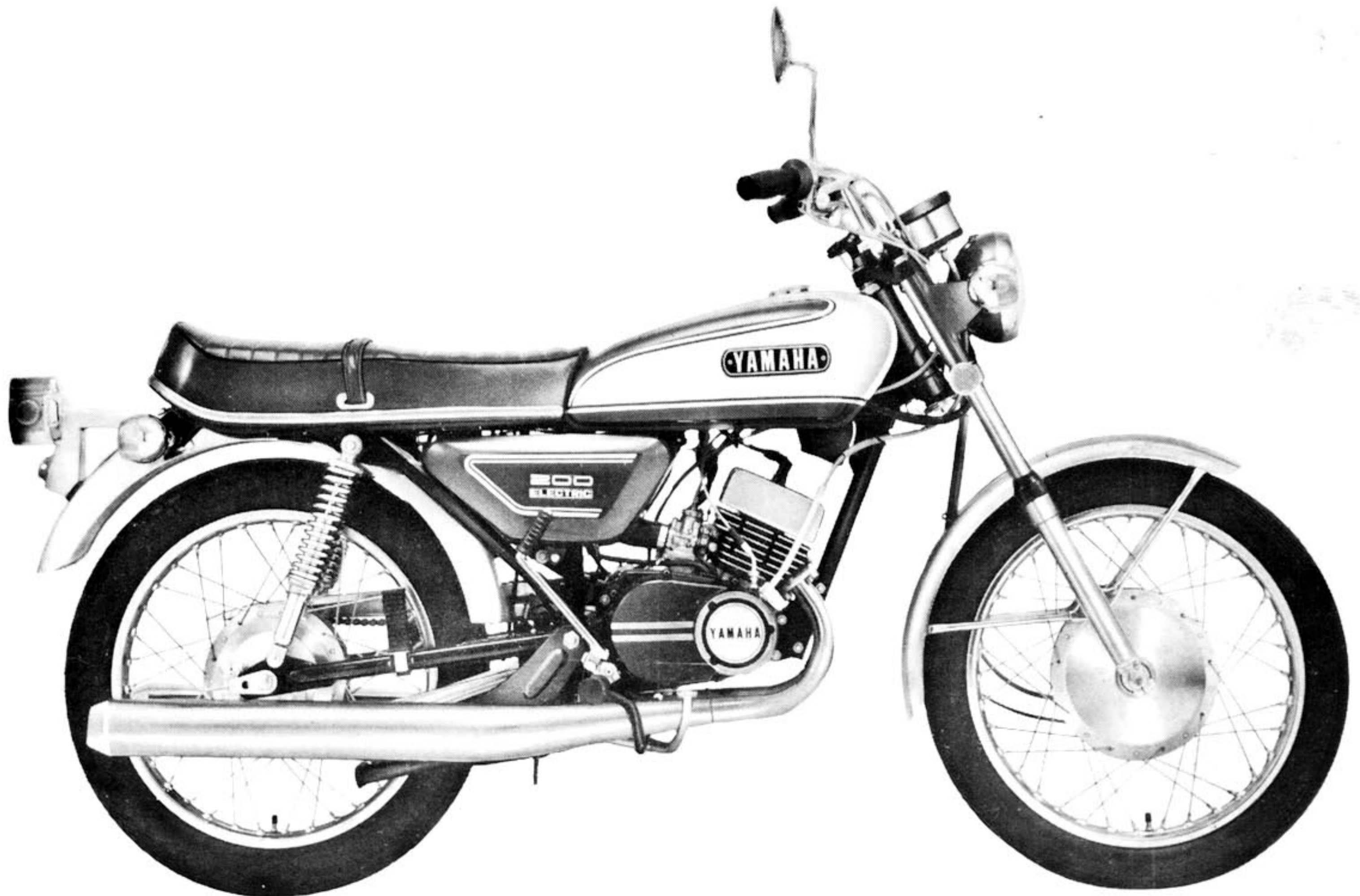


YAMAHA

PARTS LIST

MODEL CS5E





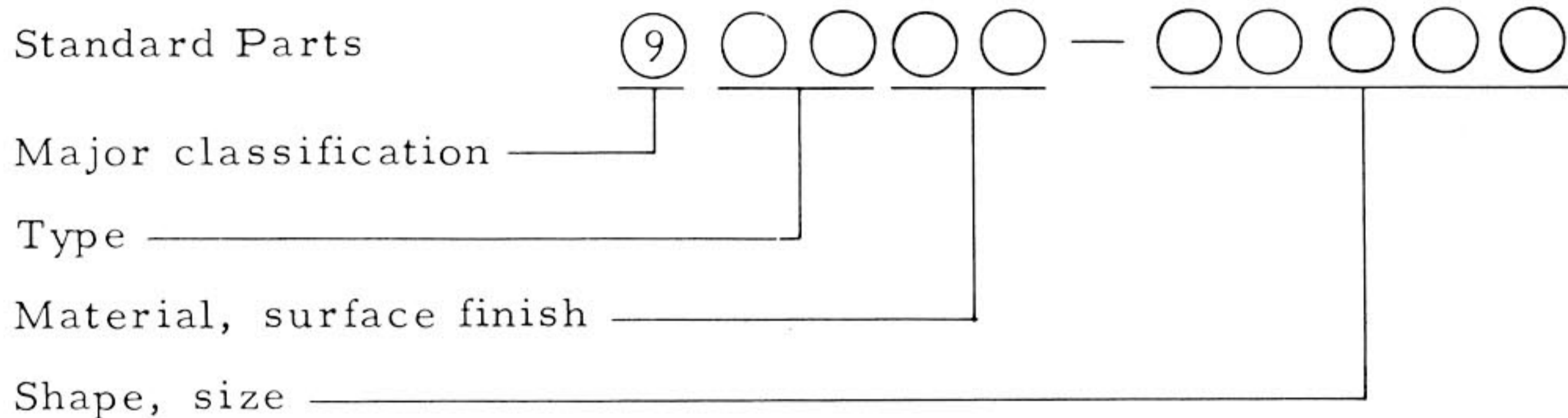
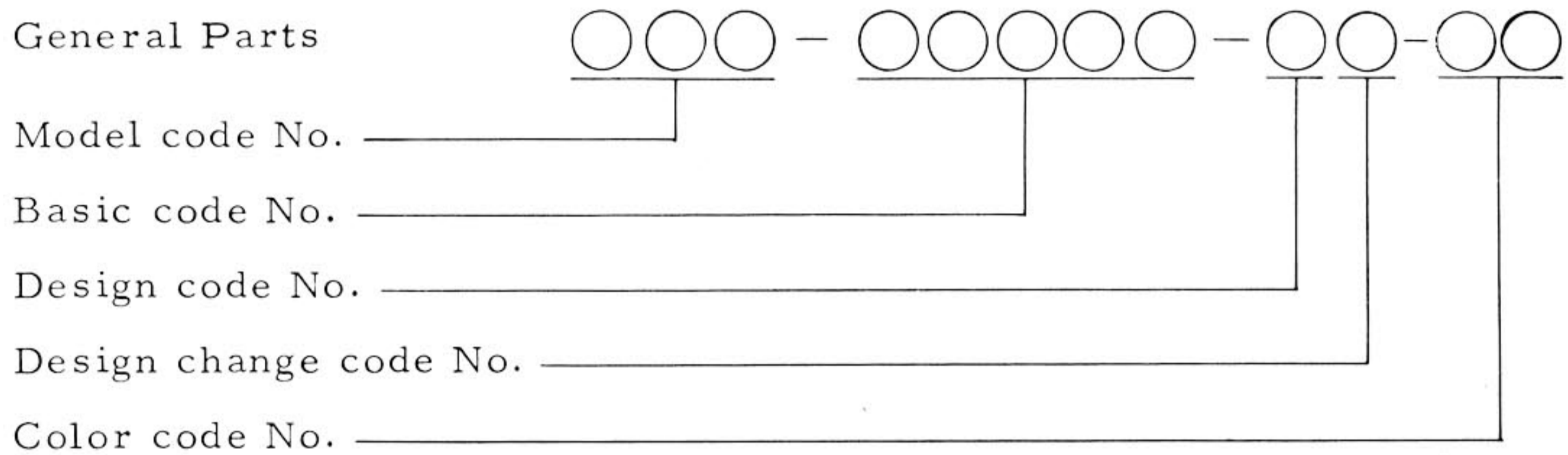


FOREWORD

This Parts List relates to the parts in use for the Yamaha CS5E. When you are ordering replacement parts for the CS5E, refer to this Parts List and quote both part numbers and part names correctly.

1. Structure of Part No.

Yamaha parts are divided largely into two categories; general parts and standard parts, and each part No. has the following structure:



Note: Every standard No. begins with 9.

2. How to Use this Parts List

(1) Except for steel balls (whose size is indicated in inches), the size of all parts is indicated in millimeters in the following manner.

Pipe (rubber or vinyl) Inside diameter - length

O-ring Section area - inside diameter

Washer, shim, collar Inside diameter - outside diameter - thickness (length)

(2) Parts, which are to be supplied in the form of assemblies, are listed with an indentation of one letter's space, and a dot (.) is put

against the name of each part. If any two different assemblies (e.g., right and left side components) consist of almost the same type components, these two assemblies are listed in two lines, and then the names of component parts are listed in the subsequent lines with an indentation as mentioned earlier. The quantity of parts is given in the following manner; that is, in the case of parts being the same in type between the right and left, a total quantity of parts is given. On the other hand, if the right and left side parts are different in type, the quantity of part(s) on each side is given.

Example

Description	Q'ty
CARBURETOR ASS'Y, left	1
CARBURETOR ASS'Y, right	1
. JET, pilot	2
. NOZZLE, main	2
.	
.	
.	
. LEVER, starter, left	1
. LEVER, starter, right	1

(3) Key to Symbols

- U. R. Use size (thickness) and/or number as required
- T Number of teeth in a gear
- V Voltage for light bulbs
- S "S" type oil seal or "S" type circlip
- SD "SD" type oil seal
- SO "SO" type oil seal
- SW "SW" type oil seal
- E "E" type circlip
- R "R" type circlip
- F/No. Frame No. (Applicable machine No.)



- (4) The right and left in relation to parts are determined on the basis of the rider facing toward the front.
- (5) This Parts List is based on the model in the production line on Oct . 1, 1971. Accordingly, if any modifications which have been made to parts will be announced in the Yamaha Parts News. It is advisable that according to the Yamaha Parts News, You will make necessary corrections to the Parts List on hand to keep it up-to dated.



CONTENTS

ENGINE

Fig. 1	Cylinder · Crankcase	1
Fig. 2	Crankcase Cover	5
Fig. 3	Crank · Piston	7
Fig. 4	Clutch	11
Fig. 5	Transmission	13
Fig. 6	Shifter A	17
Fig. 7	Shifter B	21
Fig. 8	Starter	23
Fig. 9	Tachometer Gear	25
Fig. 10	Intake	27
Fig. 11	Carburetor	29
Fig. 12	Exhaust	33
Fig. 13	Oil Pump	35
Fig. 14	Starter Generator	39

CHASSIS

Fig. 15	Frame	45
Fig. 16	Side Cover · Box	47
Fig. 17	Rear Arm · Rear Cushion · Chain Case	49
Fig. 18	Stand · Footrest · Brake Pedal	51
Fig. 19	Front Fender · Rear Fender	55
Fig. 20	Front Fork	59
Fig. 21	Steering	63
Fig. 22	Handle Wire	67
Fig. 23	Fuel Tank	73
Fig. 24	Oil Tank	77
Fig. 25	Seat	79
Fig. 26	Front Wheel	81
Fig. 27	Rear Wheel	85
Fig. 28	Head Lamp	91

Fig. 29	Head Lamp (W. Germany)	93
Fig. 30	Head Lamp (England)	95
Fig. 31	Head Lamp (France)	97
Fig. 32	Speedometer · Tachometer	99
Fig. 33	Tail Lamp 1	101
Fig. 34	Tail Lamp 2	103
Fig. 35	Flasher Lamp	105
Fig. 36	Electrical	107

NUMERICAL INDEX



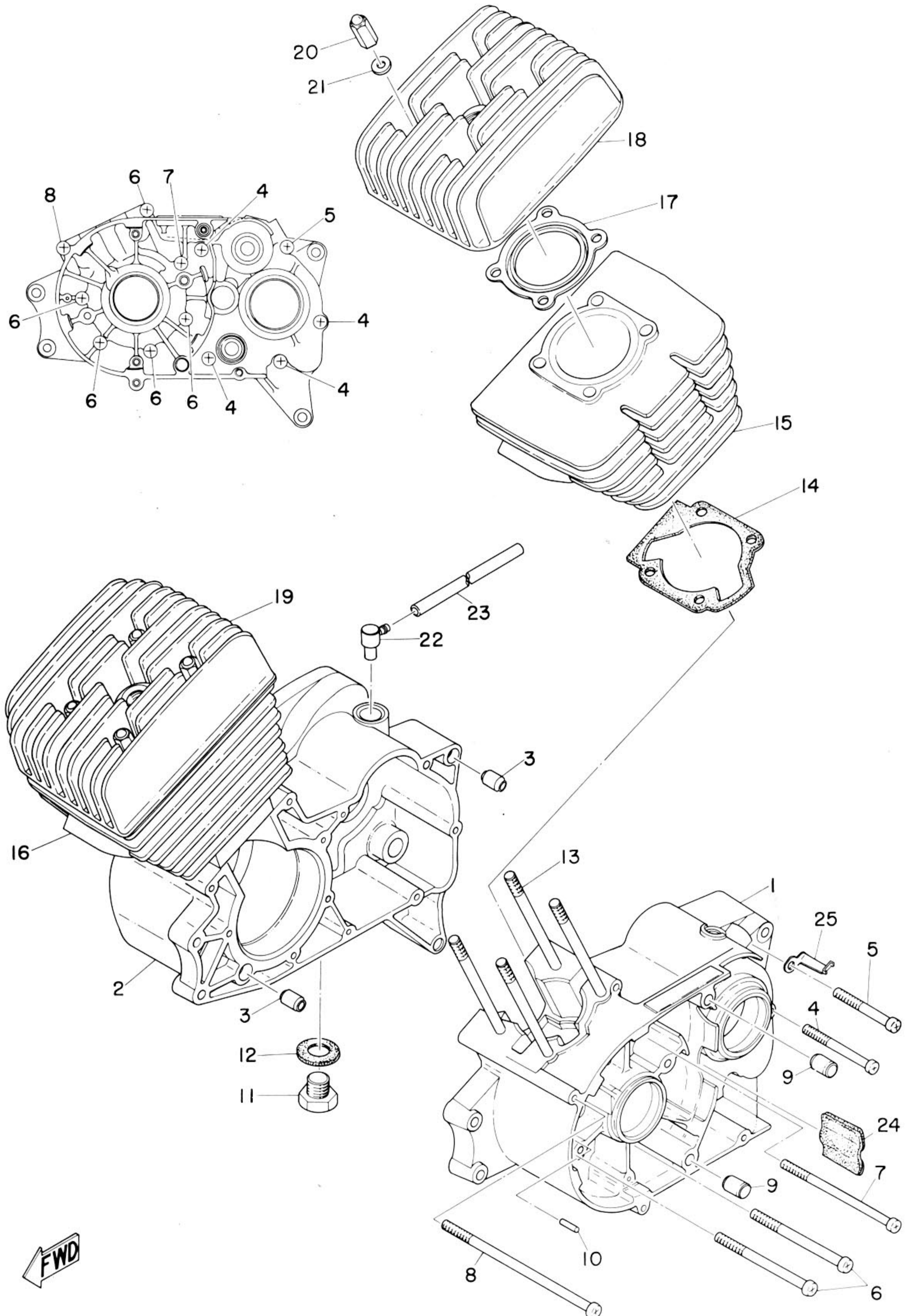
ENGINE







Fig. 1 CYLINDER HEAD · CYLINDER

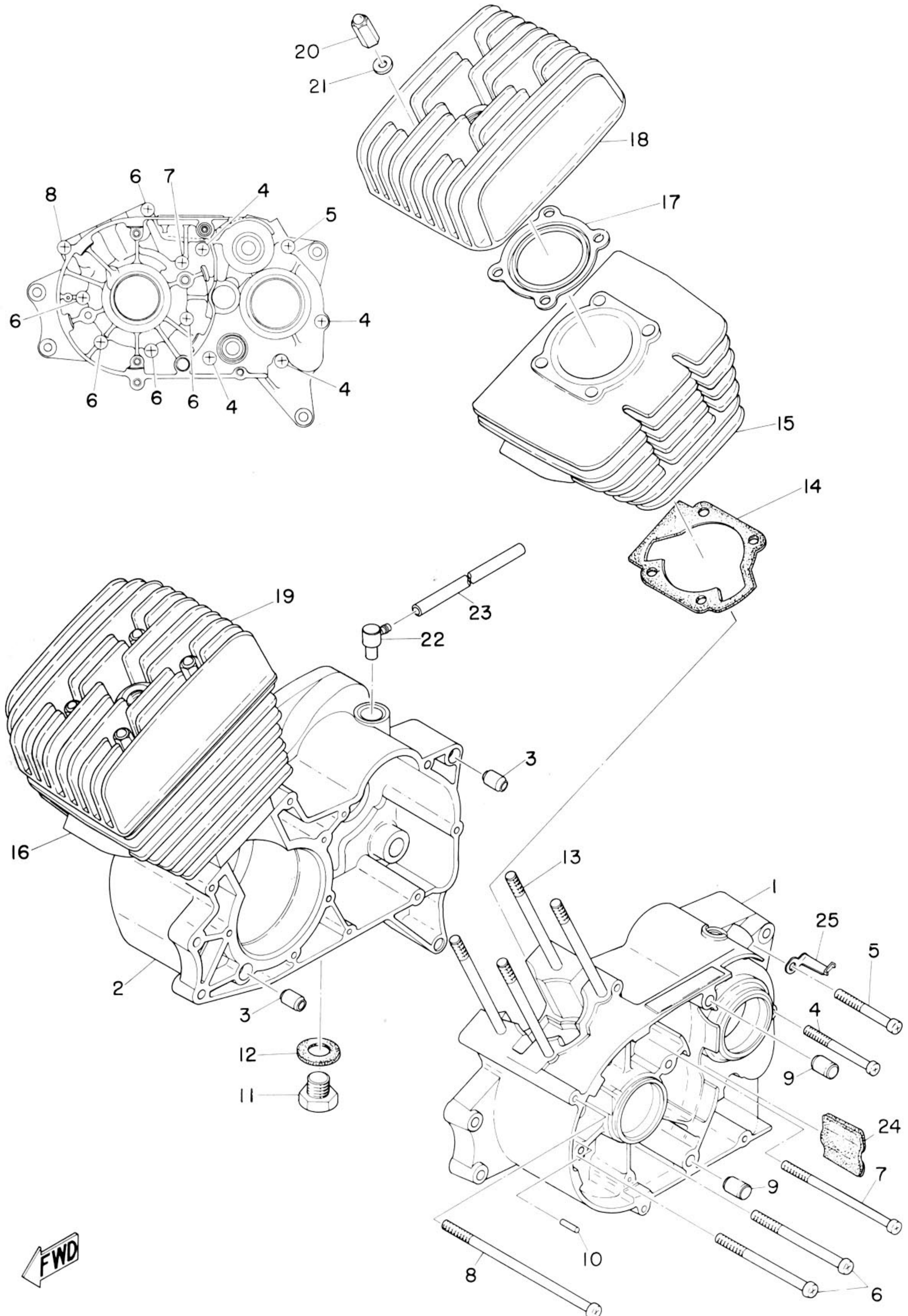


FWD

CYLINDER · CRANKCASE

Ref. No.	Parts No.	Description	Q'ty	Applicable Machine No.	Remarks
1- 1	237-15111-00	CASE, crank left	1		
1- 2	237-15121-01	CASE, crank right	1		
1- 3	91810-08016	PIN, dowel (9.8-12-16)	2		
1- 4	92501-06060	SCREW, pan head	4		
1- 5	92501-06050	SCREW, pan head	1		
1- 6	92506-06085	SCREW, pan head	5		
1- 7	92501-06100	SCREW, pan head	1		
1- 8	92506-06140	SCREW, pan head	1		
1- 9	91810-03014	PIN, dowel (8.4-10-14)	2		
1-10	93603-14026	PIN, dowel (3-14)	1		
1-11	132-15351-00	PLUG, drain	1		
1-12	132-15353-00	GASKET, drain plug (12.5-19-1.5).	1		
1-13	174-11361-00	BOLT, cylinder holding	8		
1-14	174-11351-00	GASKET, cylinder	2		
1-15	337-11311-00	CYLINDER, left	1		
1-16	337-11321-00	CYLINDER, right	1		
1-17	237-11181-00	GASKET, cylinder head	2		
1-18	337-11111-00	HEAD, cylinder left	1		
1-19	337-11121-00	HEAD, cylinder right	1		
1-20	166-11171-60	NUT, holding	8		
1-21	131-11175-00	WASHER, holding	8		
1-22	120-15371-00	BREATHER	1		

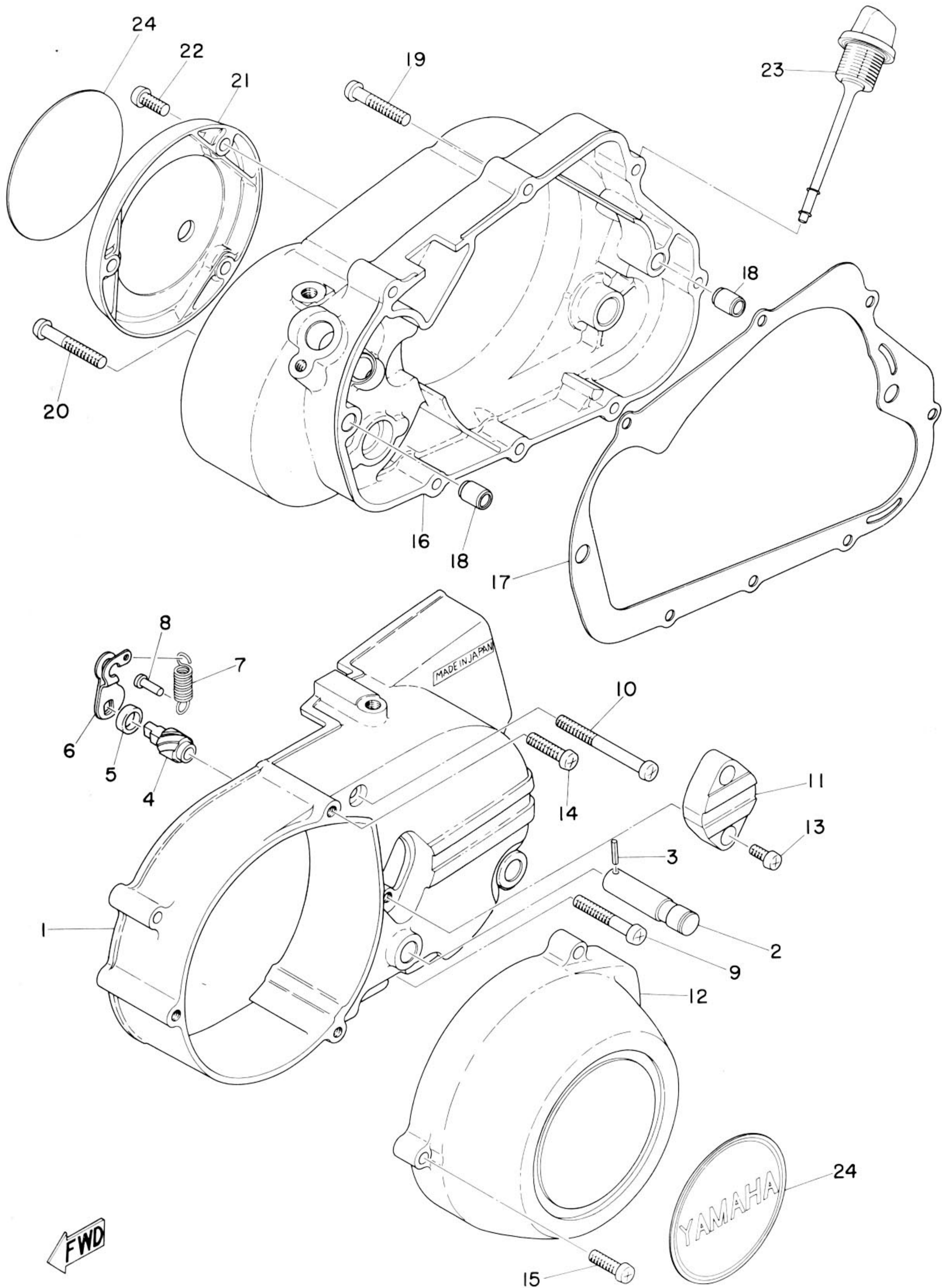
Fig. 1 CYLINDER HEAD · CYLINDER



CYLINDER · CRANKCASE

Ref. No.	Parts No.	Description	Q'ty	Applicable Machine No.	Remarks
1-23	248-15373-00	PIPE, breather	1		
1-24	241-15357-00	GROMMET	1		
1-25	337-81328-00	CLAMP	1		

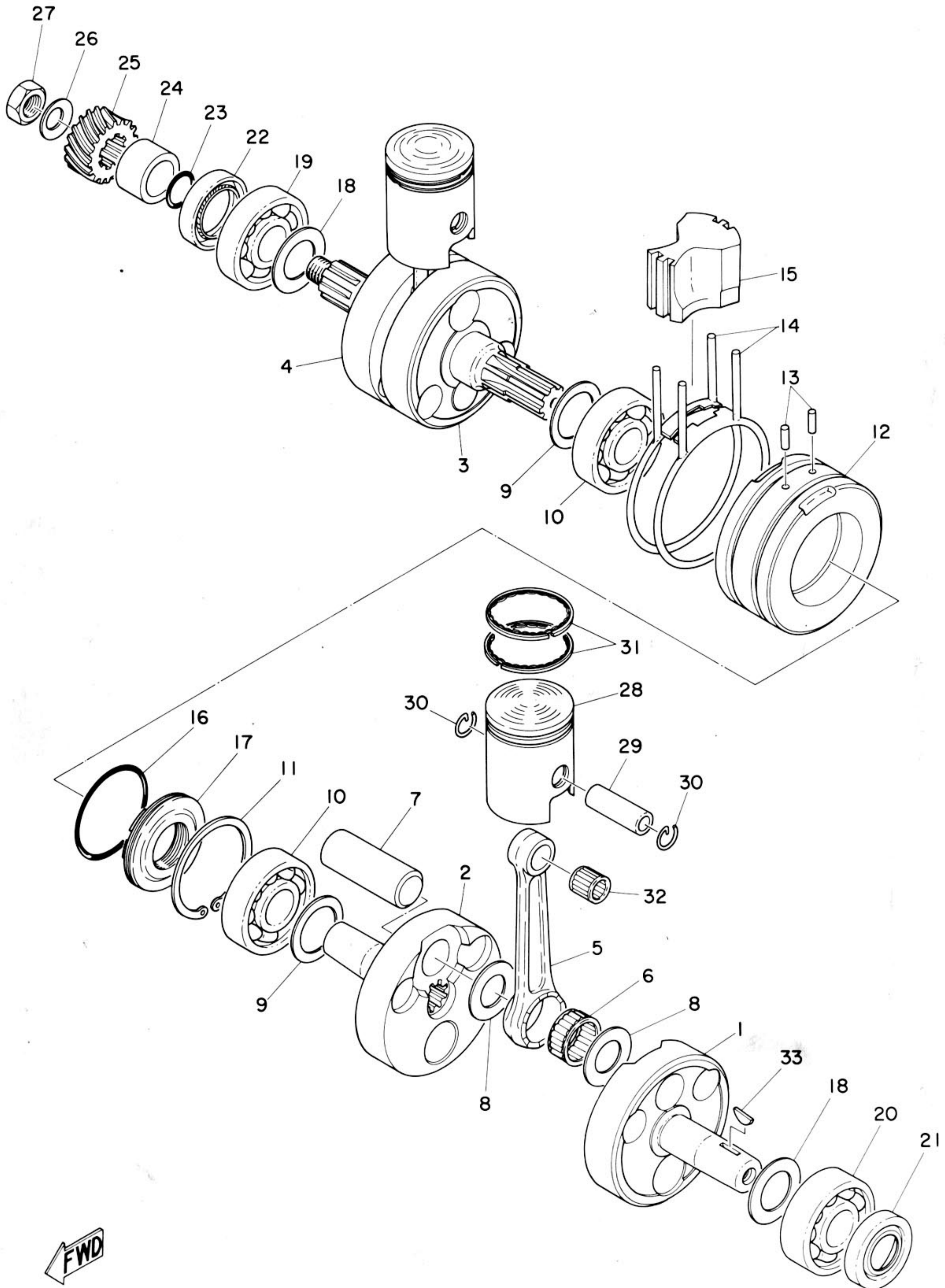
Fig. 2 CRANKCASE COVER



CRANKCASE COVER

Ref. No.	Parts No.	Description	Q'ty	Applicable Machine No.	Remarks
2- 1	337-15410-00	CRANKCASE COVER ASSY, left	1		
2- 2	307-18188-00	. SHAFT	1		
2- 3	91609-30022	. PIN, spring	1		
2- 4	241-16341-01	. SCREW, push	1		
2- 5	93104-11028	. OIL SEAL (SO-10.5-15-3)	1		
2- 6	241-16342-00	. LEVER, push	1		
2- 7	132-16345-00	. SPRING, lever return	1		
2- 8	132-16346-00	. HOOK, spring	1		
2- 9	92506-06040	SCREW, pan head	2		
2-10	92506-06060	SCREW, pan head	1		
2-11	337-15417-00	COVER, cap	1		
2-12	337-15415-00	COVER, generator	1		
2-13	98506-05012	SCREW, pan head	2		
2-14	92506-06025	SCREW, pan head	1		
2-15	92506-06020	SCREW, pan head	2		
2-16	337-15421-00	COVER, crankcase right	1		
2-17	237-15324-00	GASKET, crankcase cover right	1		
2-18	91810-03014	PIN, dowel (8.4-10-14)	2		
2-19	92506-06035	SCREW, pan head	7		
2-20	92506-06040	SCREW, pan head	1		
2-21	337-15416-00	COVER, oil pump	1		
2-22	92506-06015	SCREW, pan head	3		
2-23	307-15363-00	PLUG, oil	1		
2-24	307-15425-00	COVER	2		

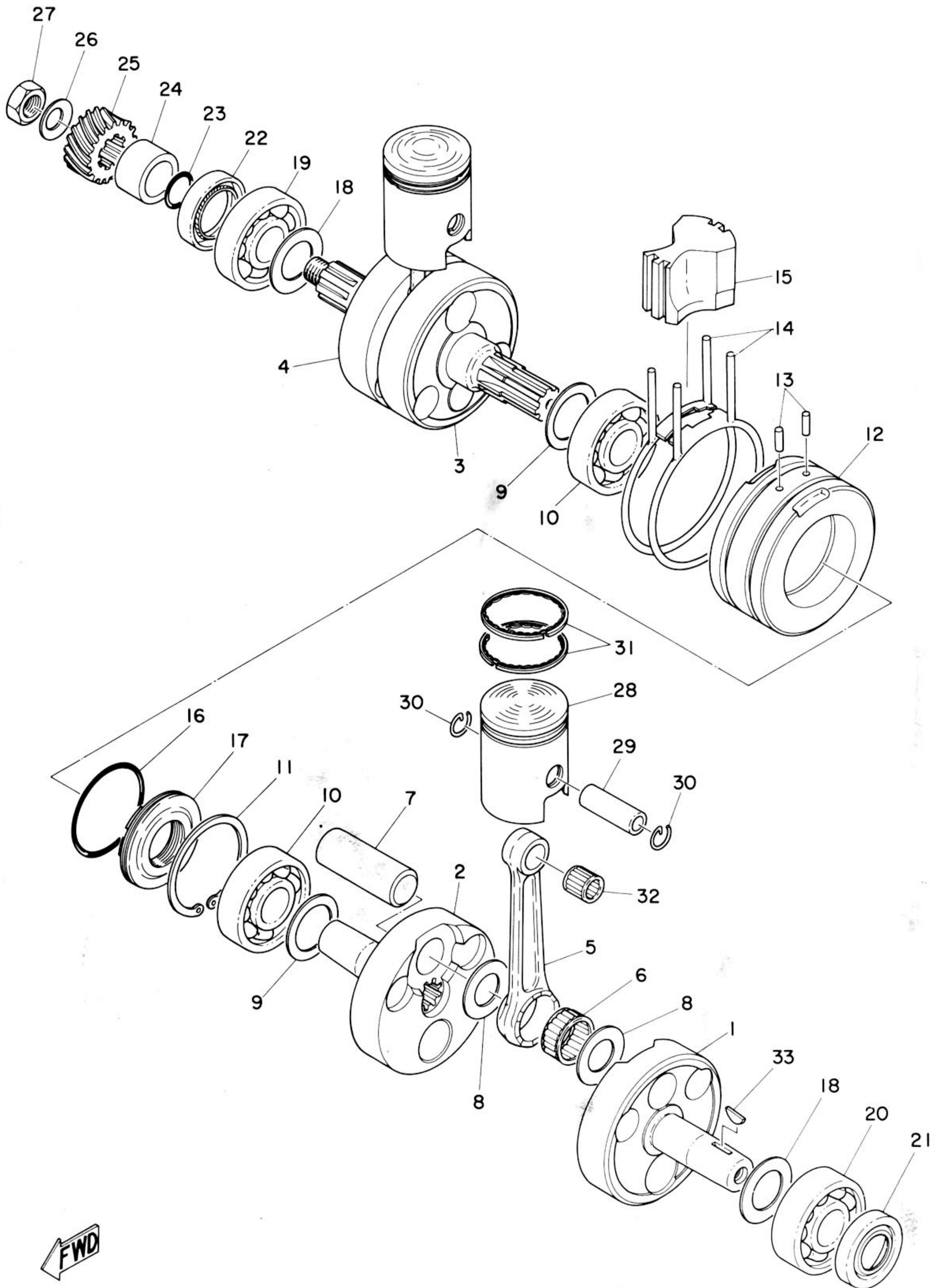
Fig. 3 CRANK · PISTON



CRANK · PISTON

Ref. No.	Parts No.	Description	Q'ty	Applicable Machine No.	Remarks
3- 0-1	174-11400-02	CRANK ASS'Y	1		
3- 1	174-11412-02	. CRANK 1, left	1		
3- 2	174-11422-01	. CRANK 1, right	1		
3- 3	174-11432-01	. CRANK 2, left	1		
3- 4	174-11442-01	. CRANK 2, right	1		
3- 5	174-11651-00	. ROD, connecting	2		
3- 6	93310-42012	. BEARING	2		
3- 7	174-11681-00	. PIN, crank	2		
3- 8	174-11685-00	. WASHER, crank pin	4		
3- 9	132-11561-00-03	. WASHER, crank inside (25.5-35-0.3)	} U.R 2		
	132-11561-00-05	. WASHER, crank inside (25.5-35-0.5)			
3-10	93306-20513	. BEARING (6205C 3 special)	2		
3-11	93450-52010	. CIRCLIP (52φ)	1		
3-12	174-11511-01	. COVER, crank	1		
3-13	93604-18058	. PIN, dowel (4-17.8)	2		
3-14	174-11512-02	. SEAL, crank cover	2		
3-15	174-11541-01	. METAL, filler	1		
3-16	93210-46044	. O-RING (3-46.2)	1		
3-17	174-11515-00	. SEAL, labyrinth	1		
3-18	132-11561-00-03	SHIM, crank outside (25.5-35-0.3)	} U.R 2		
	132-11561-00-05	SHIM, crank outside (25.5-35-0.5)			
3-19	93306-30509	BEARING (6305C3 special)	1		
3-20	93306-20513	BEARING (6205C3 special)	1		

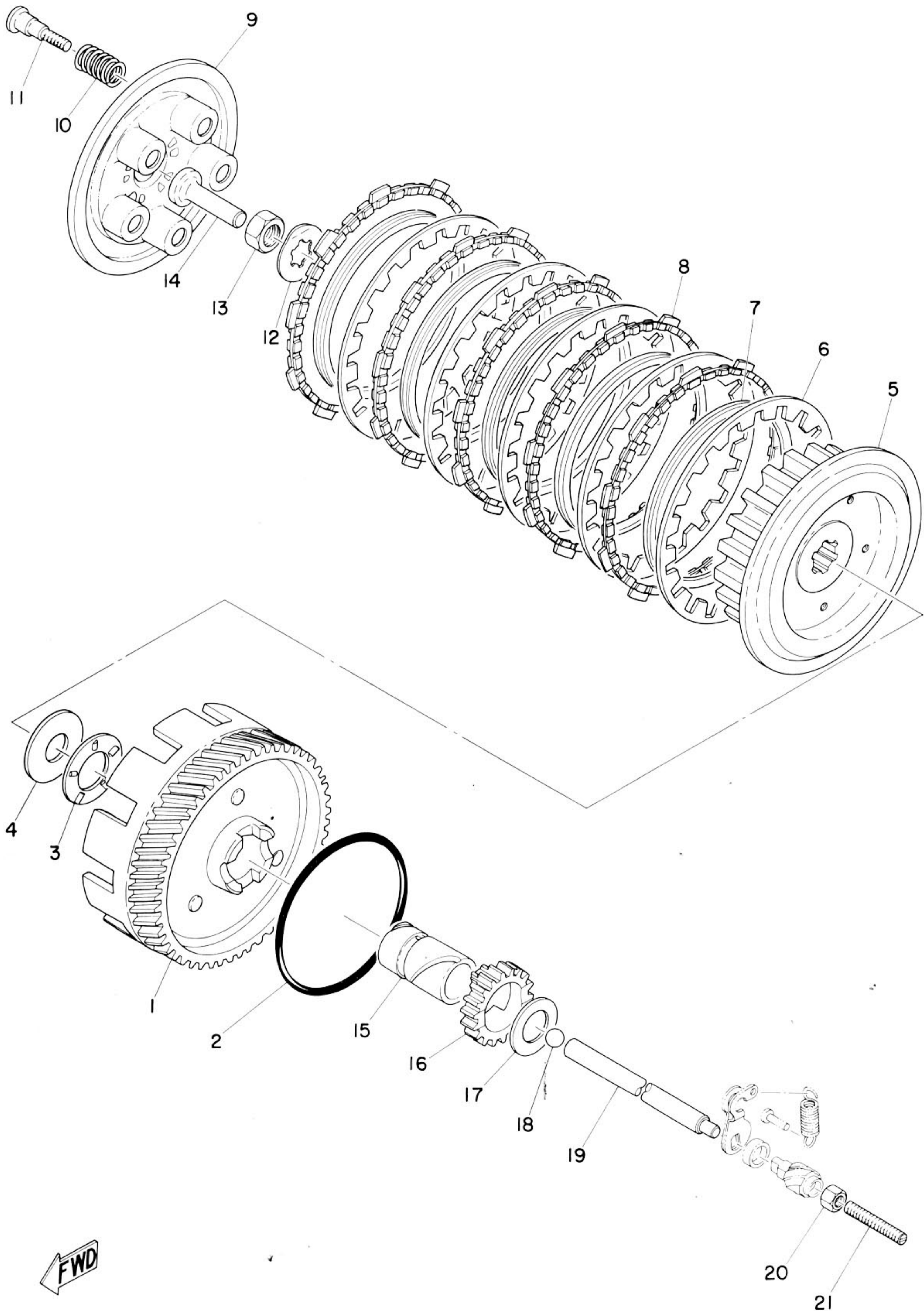
Fig. 3 CRANK · PISTON



CRANK · PISTON

Ref. No.	Parts No.	Description	Q'ty	Applicable Machine No.	Remarks
3-21	93102-20010	OIL SEAL (SD-20-40-8)	1		
3-22	93103-32031	OIL SEAL (SW-32-48-8)	1		
3-23	93210-18023	O-RING (1.2-17.6)	1		
3-24	174-11523-00	COLLAR, distance	1		
3-25	174-16111-00	GEAR, primary drive (16T)	1		
3-26	164-16119-00	SPRING, bellevile	1		
3-27	137-16377-00	NUT, clutch boss	1		
3-28	273-11631-61-97	PISTON (STD 51.97mm)	} U.R 2		
	273-11631-61-98	PISTON (STD 51.98mm)			
	273-11631-61-99	PISTON (STD 51.99mm)			
	273-11635-61	PISTON (1st O.S 52.25mm)	2		Alternate Parts
	273-11636-61	PISTON (2nd O.S 52.50mm)	2		Alternate Parts
3-29	131-11633-00	PIN, piston	2		
3-30	131-11634-00	CLIP, piston pin	4		
3-31	273-11601-00	PISTON RING SET (STD)	2s		<i>CS3 RINGS</i>
	273-11601-10	PISTON RING SET (1st O.S)	2s		Alternate Parts
	273-11601-20	PISTON RING SET (2nd O.S)	2s		Alternate Parts
3-32	93310-21403	BEARING	2		<i>PT NO</i>
3-33	146-11545-00	KEY, woodruff	1		<i>237-11601-00 STD</i>

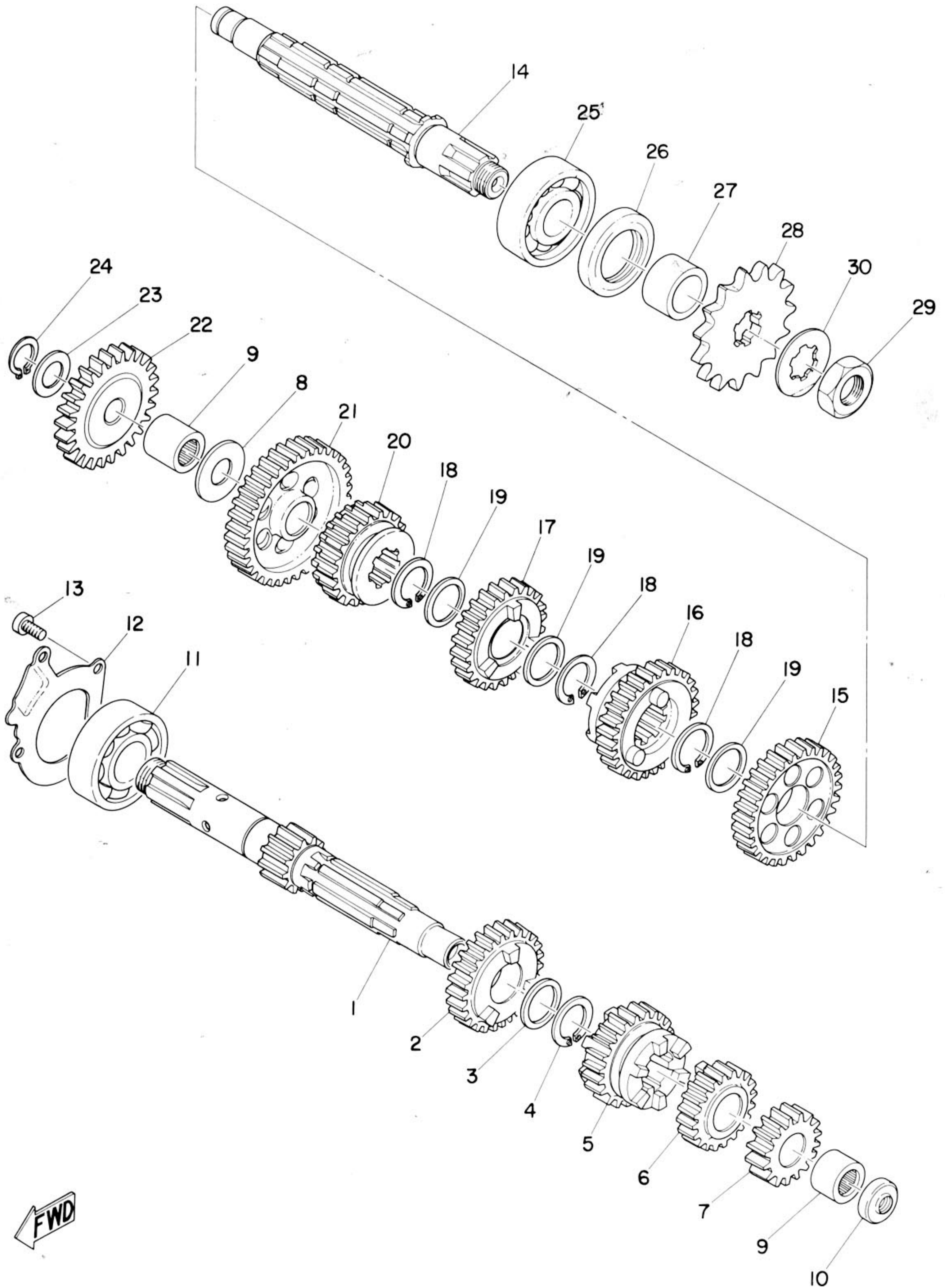
Fig. 4 CLUTCH



CLUTCH

Ref. No.	Parts No.	Description	Q'ty	Applicable Machine No.	Remarks
4- 0-1	174-16301-02	CLUTCH ASS'Y	1		
4- 1	174-16105-01	. PRIMARY DRIVEN GEAR COMP. (53T)	1		
4- 2	93210-85075	. O-RING	1		
4- 3	93341-22603	. BEARING, thrust	1		
4- 4	174-16154-00	. PLATE, thrust (20-38-2.0)	1		
4- 5	174-16371-01	. BOSS, clutch	1		
4- 6	137-16324-00	. PLATE, clutch	5		
4- 7	137-16367-00	. RING, cushion	5		
4- 8	132-16321-00	. PLATE, friction	5		
4- 9	132-16351-00	. PLATE, pressure	1		
4-10	137-16333-00	. SPRING, clutch	5		
4-11	137-16337-01	. SCREW, spring	5		
4-12	102-17464-00	WASHER, lock	1		
4-13	102-17463-00	NUT, lock	1		
4-14	174-16356-00	ROD, push 1	1		
4-15	174-16176-01	COLLAR, distance	1		
4-16	251-15631-01	GEAR, kick pinion (18T)	1		
4-17	174-16164-00	PLATE, thrust (20.2-31-2.0)	1		
4-18	93505-16006	BALL (5/16 inch)	1		
4-19	237-16357-01	ROD, push 2	1		
4-20	98801-06300	NUT	1		
4-21	241-16343-00	SCREW, adjusting	1		

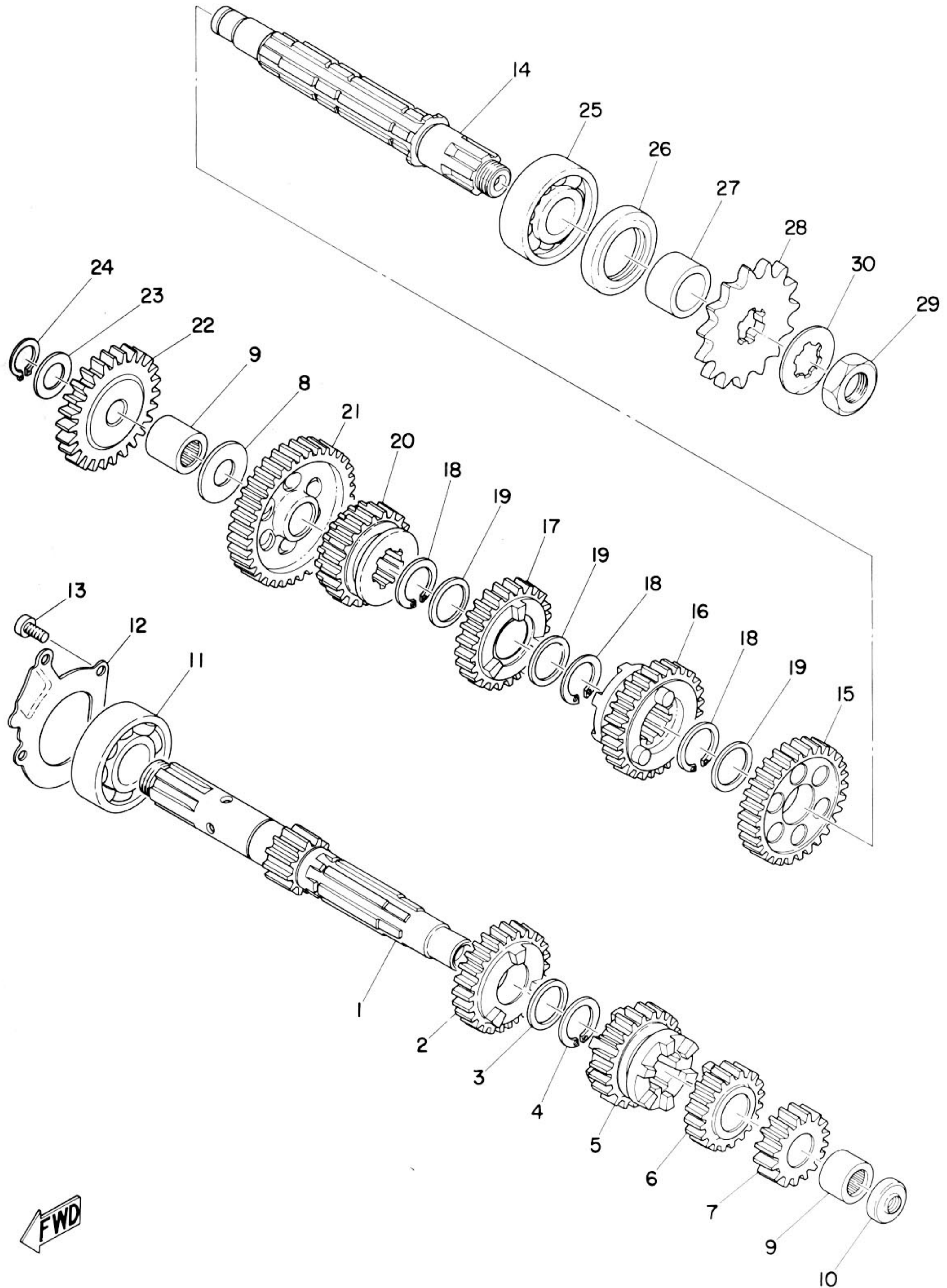
Fig. 5 TRANSMISSION



TRANSMISSION

Ref. No.	Parts No.	Description	Q'ty	Applicable Machine No.	Remarks
5- 1	174-17411-01	AXLE, main (12T)	1		
5- 2	174-17151-00	GEAR, 5th pinion (25T)	1		
5- 3	132-17216-00	WASHER, gear hold (20-25-1.0) ..	1		
5- 4	132-17414-00	CLIP, main axle	1		
5- 5	174-17141-00	GEAR, 4th pinion (22T)	1		
5- 6	174-17131-00	GEAR, 3rd pinion (19T)	1		
5- 7	174-17121-00	GEAR, 2nd pinion (16T)	1		
5- 8	164-17427-00-08	SHIM, drive axle (15.2-30-0.8) ..	}	U.R	
	164-17427-00-10	SHIM, drive axle (15.2-30-1.0) ..			
	164-17427-00-12	SHIM, drive axle (15.2-30-1.2) ..			
5- 9	93315-31502	BEARING	2		
5-10	237-15389-00	SEAL, push rod	1		
5-11	93306-30408	BEARING (6304Z)	1		
5-12	248-17471-01	PLATE, bearing cover	1		
5-13	98501-05012	SCREW, pan head	3		
5-14	174-17421-00	AXLE, drive	1		
5-15	174-17221-00	GEAR, 2nd wheel (30T)	1		
5-16	174-17231-00	GEAR, 3rd wheel (27T)	1		
5-17	174-17241-00	GEAR, 4th wheel (23T)	1		
5-18	132-17414-00	CLIP, main axle	3		
5-19	132-17216-00	WASHER, gear hold	3		
5-20	174-17251-00	GEAR, 5th wheel (21T)	1		
5-21	174-17211-00	GEAR, 1st wheel (34T)	1		
5-22	251-15651-01	GEAR, kick idle (26T)	1		

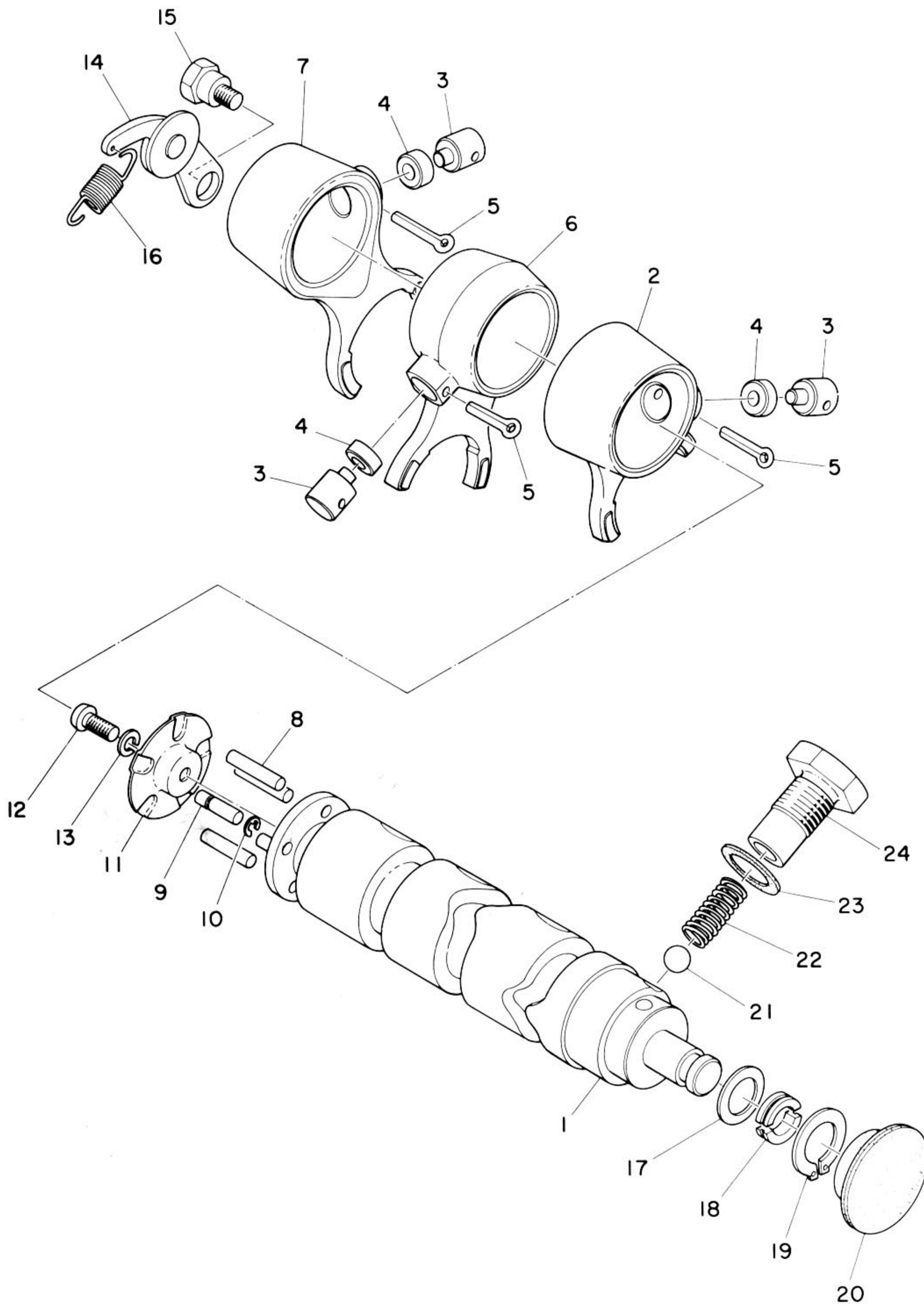
Fig. 5 TRANSMISSION



TRANSMISSION

Ref. No.	Parts No.	Description	Q'ty	Applicable Machine No.	Remarks
5-23	132-15653-00	WASHER, thrust	1		
5-24	93410-13004	CIRCLIP (S-13)	1		
5-25	93306-30401	BEARING (6304)	1		
5-26	93102-28021	OIL SEAL (SD-28-44-7)	1		
5-27	102-17462-00	COLLAR, distance (29-28-15.1) ...	1		
5-28	174-17461-30	SPROCKET, drive (13T)	1		
	174-17461-40	SPROCKET, drive (14T)	1		STD
	174-17461-50	SPROCKET, drive (15T)	1		
	174-17461-60	SPROCKET, drive (16T)	1		
5-29	102-17463-00	NUT, lock	1		
5-30	102-17464-00	WASHER, lock	1		

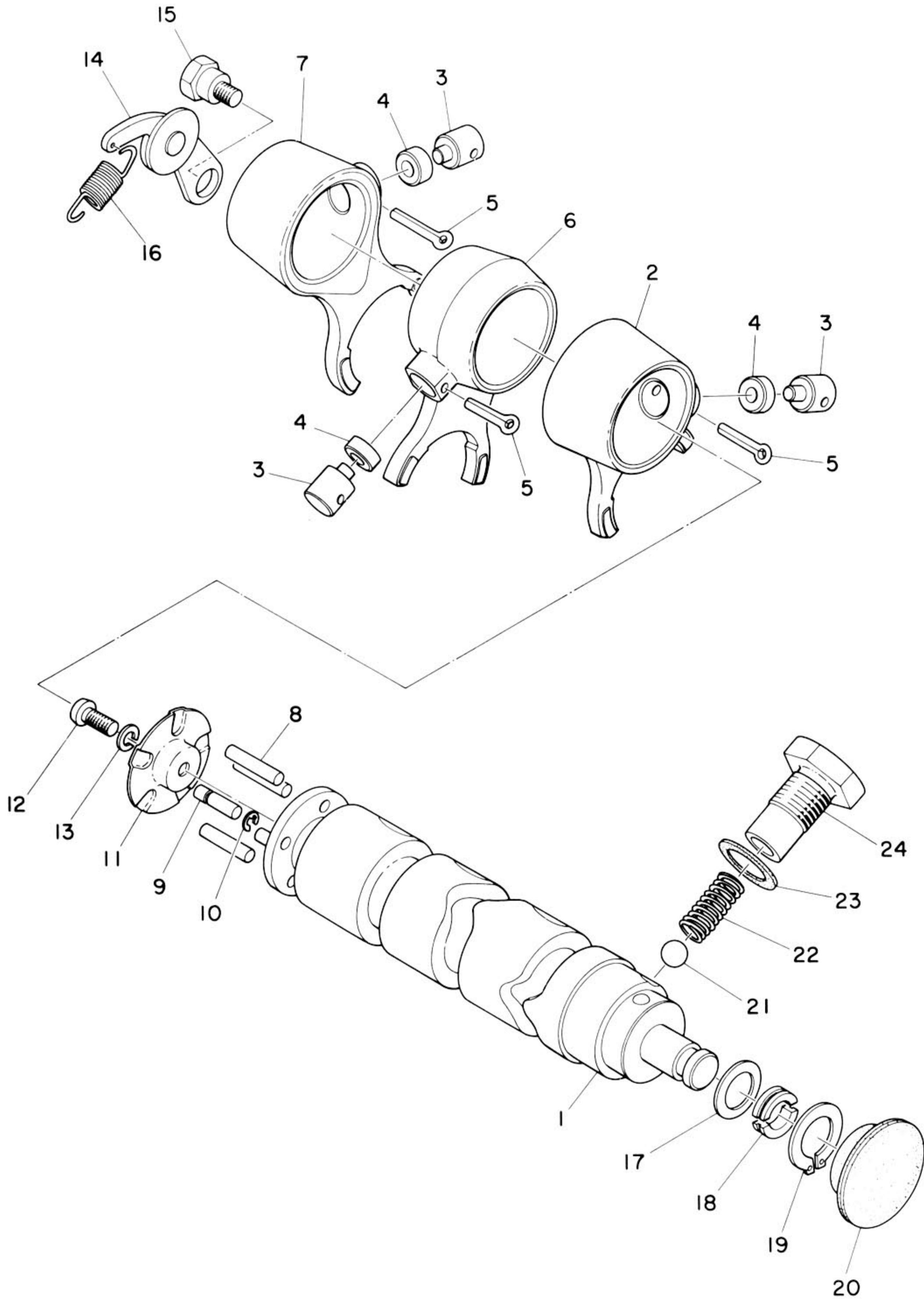
Fig. 6 SHIFTER A



SHIFTER A

Ref. No.	Parts No.	Description	Q'ty	Applicable Machine No.	Remarks
6- 0-1	174-18500-02	SHIFTER ASS'Y	1		
6- 1	174-18541-02	. CAM, shift	1		
6- 2	174-18511-00	. FORK, shift 1	1		
6- 3	164-18552-00	. PIN, cam follower	3		
6- 4	164-18551-00	. ROLLER, cam follower	3		
6- 5	91401-25020	. PIN, cotter	3		
6- 6	174-18512-00	. FORK, shift 2	1		
6- 7	174-18513-00	. FORK, shift 3	1		
6- 8	93604-22050	. PIN, dowel (4-21.8)	4		
6- 9	174-18544-00	. PIN, locating	1		
6-10	93430-03014	. CIRCLIP (E-2.5)	1		
6-11	164-18561-00	. PLATE, side	1		
6-12	98501-05012	. SCREW, pan head	1		
6-13	92901-05100	. WASHER, spring	1		
6-14	132-18140-00	STOPPER LEVER ASS'Y	1		
6-15	132-18177-00	BOLT, stopper	1		
6-16	132-18143-00	SPRING, stopper	1		
6-17	164-18572-00	WASHER, plain (12.1-18-1.0)	1		
6-18	164-18571-00	HOLDER, shift cam	2		
6-19	93440-15012	CIRCLIP	1		
6-20	132-18533-01	PLUG, blind	1		
6-21	93505-16006	BALL (5/16 inch)	1		

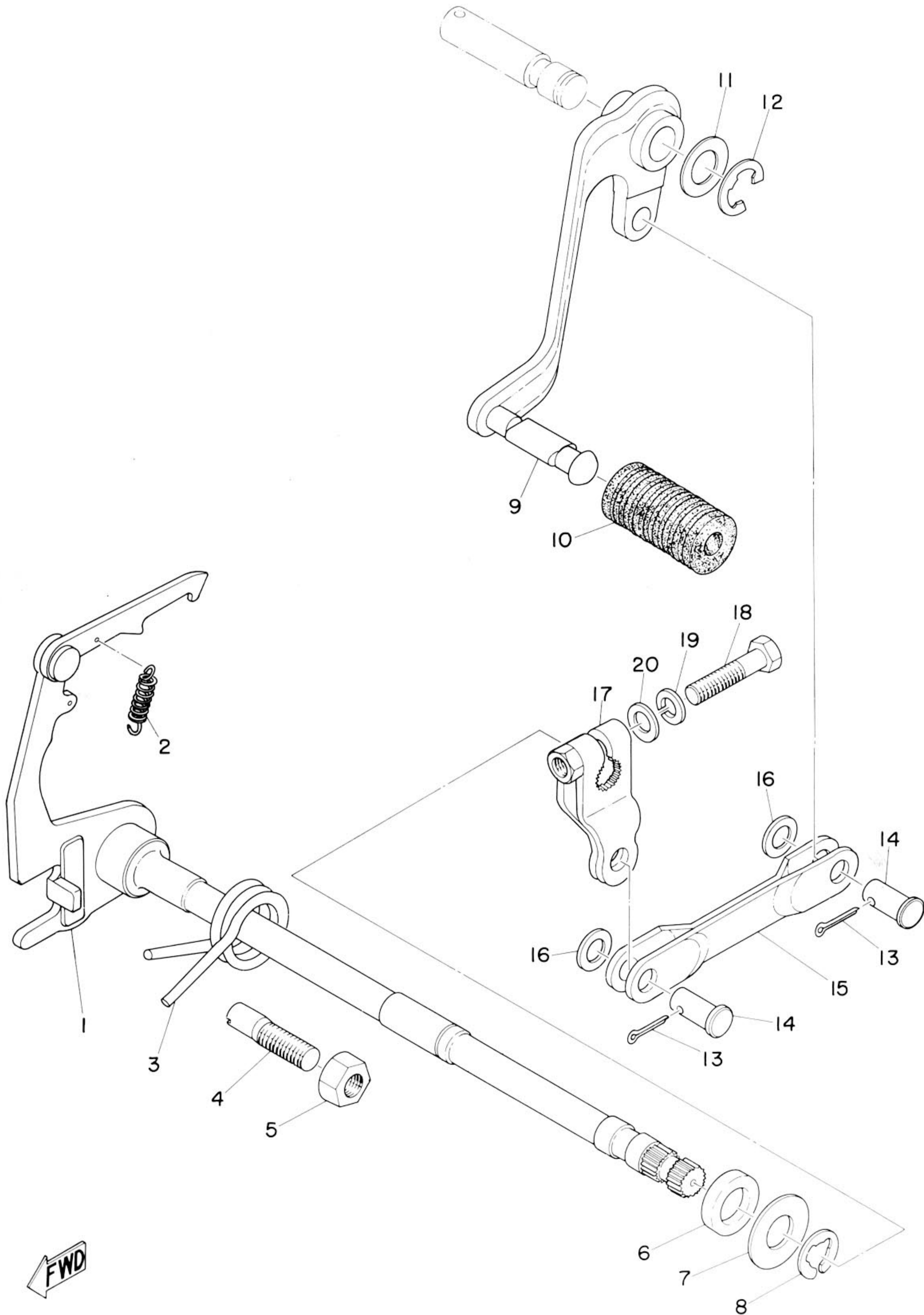
Fig. 6 SHIFTER A



SHIFTER A

Ref. No.	Parts No.	Description	Q'ty	Applicable Machine No.	Remarks
6-22	174-18558-00	SPRING, neutral	1		
6-23	137-15353-00	GASKET (14.5-21-1.5)	1		
6-24	174-18578-00	SCREW, spring	1		

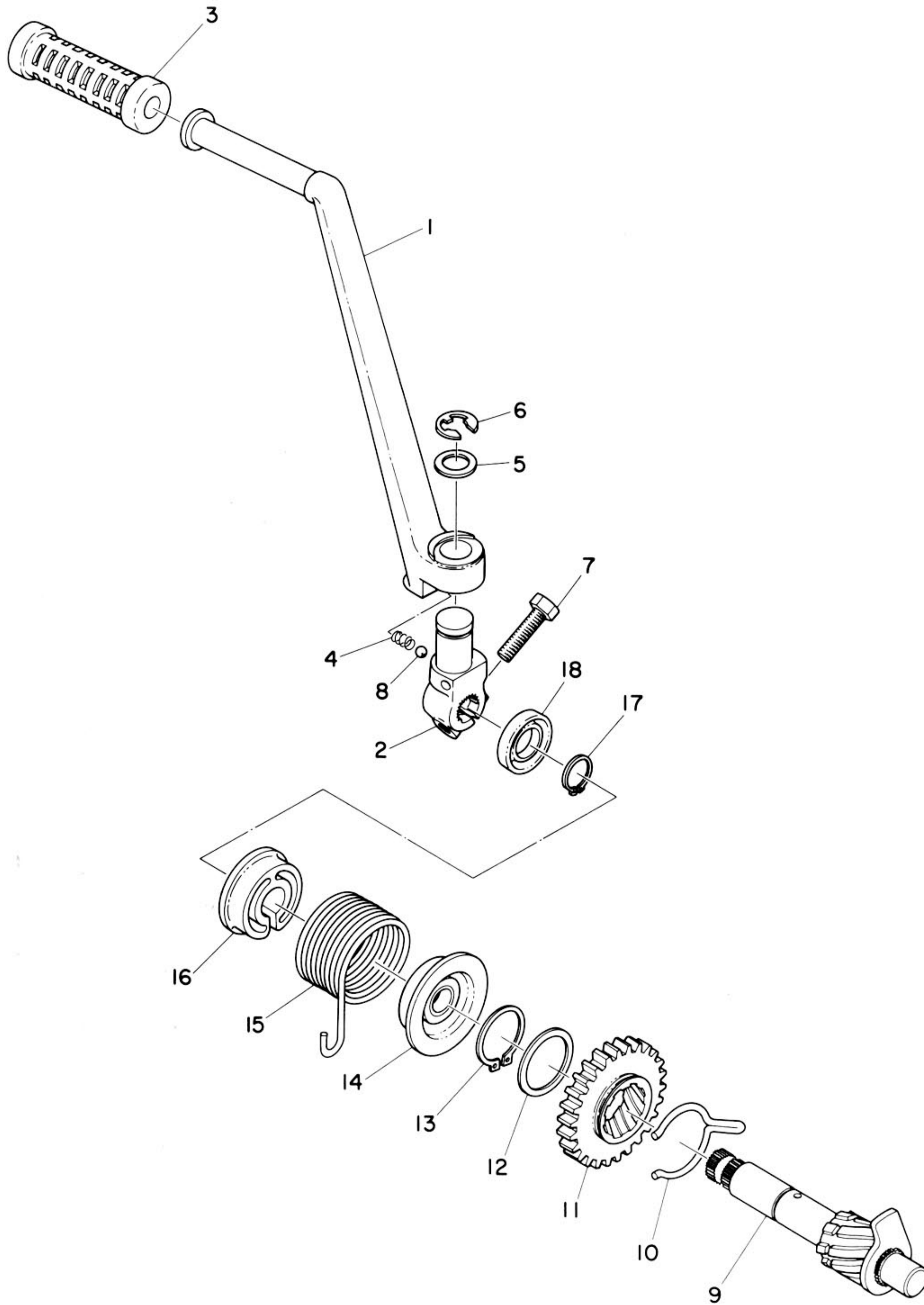
Fig. 7 SHIFTER B



SHIFTER B

Ref. No.	Parts No.	Description	Q'ty	Applicable Machine No.	Remarks
7- 1	174-18101-01	CHANGE SHAFT ASS'Y	1		
7- 2	132-18123-00	. SPRING, shift arm	1		
7- 3	132-18124-00	SPRING, shaft return	1		
7- 4	132-18133-00	SCREW, adjusting	1		
7- 5	98801-08200	NUT	1		
7- 6	93101-12004	OIL SEAL (S-12-22-5)	1		
7- 7	132-18137-00	WASHER, change axle (12.1-26-1.6)	1		
7- 8	93430-10016	CIRCLIP (E-10)	1		
7- 9	337-18111-00-93	PEDAL, change	1		
7-10	132-18113-01	COVER, change pedal	1		
7-11	183-22142-10	WASHER (12.5-22-1.6)	1		
7-12	93430-10016	CIRCLIP (E-10)	1		
7-13	91401-16012	PIN, cotter	2		
7-14	307-18118-00	PIN, joint	2		
7-15	307-18115-00-93	ROD, change	1		
7-16	141-18139-00	WASHER (8.2-14-1.0)	2		
7-17	307-18112-00-93	ARM, change	1		
7-18	91201-06030	BOLT	1		
7-19	92901-06100	WASHER, spring	1		
7-20	92901-06200	WASHER, plain	1		

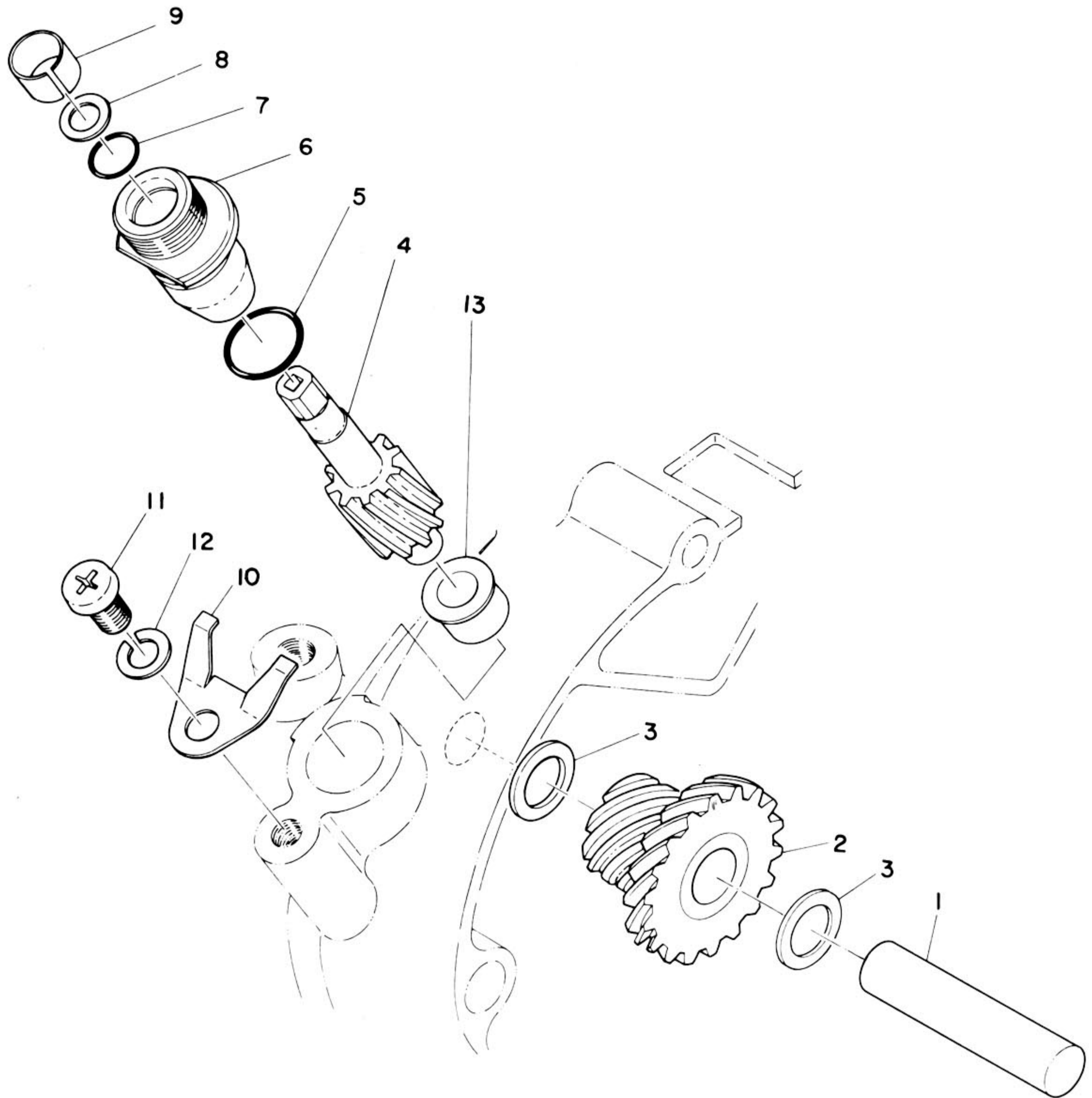
Fig. 8 STARTER



STARTER

Ref. No.	Parts No.	Description	Q'ty	Applicable Machine No.	Remarks
8- 1	278-15611-00	CRANK, kick	1		
8- 2	337-15621-00	BOSS, kick crank	1		
8- 3	156-15618-01	COVER, kick lever	1		
8- 4	278-15622-00	SPRING, boss stopper	1		
8- 5	278-15613-00	WASHER (15.5-24-1.5)	1		
8- 6	93430-10016	CIRCLIP (E-10)	1		
8- 7	91101-06025	BOLT	1		
8- 8	93507-32009	BALL (7/32 inch)	1		
8- 9	337-15660-00	KICK AXLE ASS'Y	1		
8-10	251-15687-00	CLIP, kick	1		
8-11	251-15641-01	GEAR, kick (26T)	1		
8-12	117-15644-00	SHIM (25.1-32-1.0)	1		
8-13	93410-25017	CIRCLIP (S-25)	1		
8-14	132-15664-00	GUIDE, kick spring	1		
8-15	304-15665-00	SPRING, kick	1		
8-16	132-15676-00	COVER, kick spring	1		
8-17	93410-15005	CIRCLIP (S-15)	1		
8-18	93109-15001	OIL SEAL (SDO-15-26-6)	1		

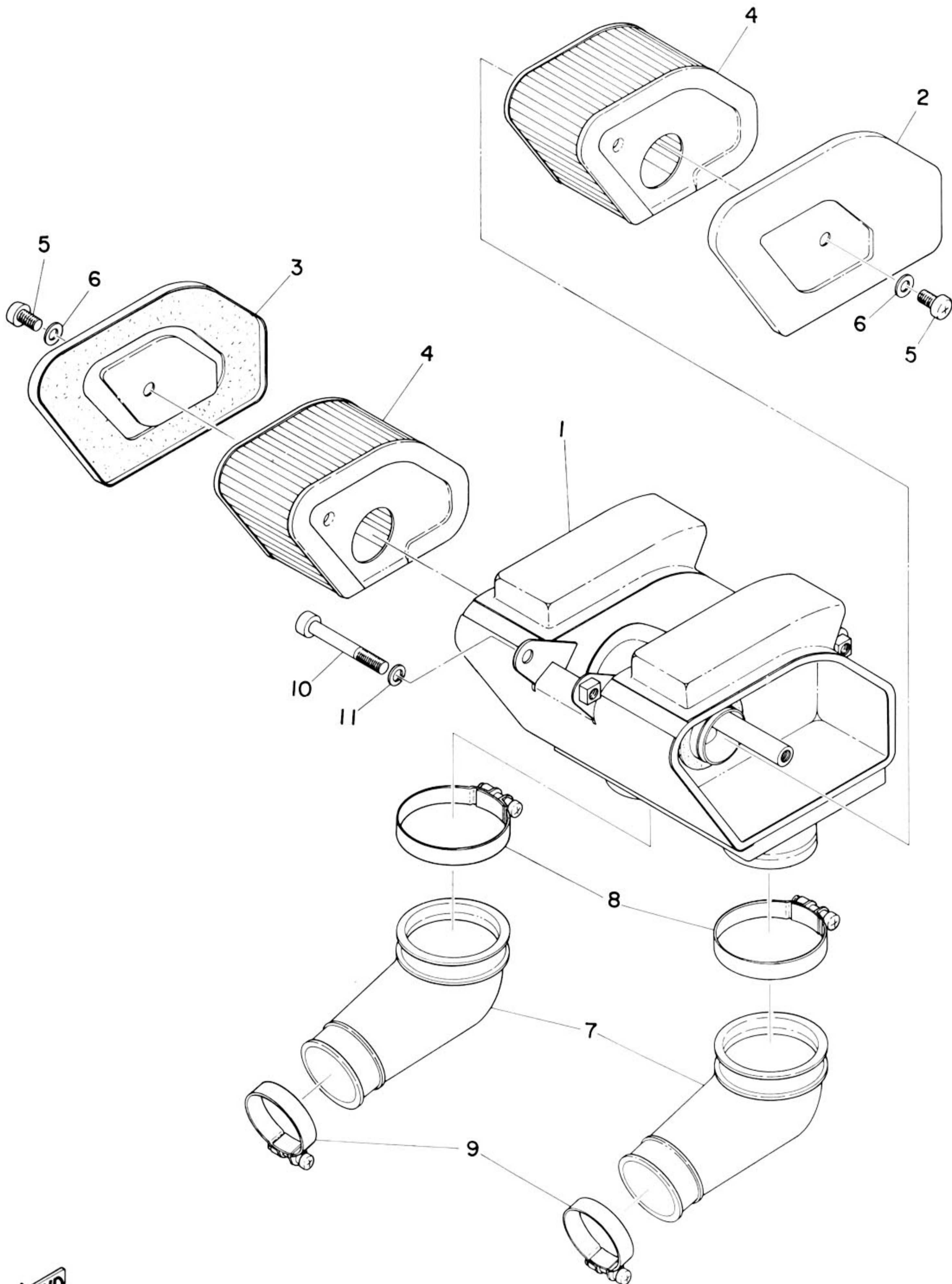
Fig. 9 TACHOMETER GEAR



TACHOMETER GEAR

Ref. No.	Parts No.	Description	Q'ty	Applicable Machine No.	Remarks
9- 1	237-17861-00	AXLE, drive gear	1		
9- 2	237-17831-00	GEAR, drive	1		
9- 3	248-17837-00	SHIM (10.2-16-1.0)	2		
9- 4	248-17841-00	GEAR, driven	1		
9- 5	93210-13016	O-RING (1.8-13)	1		
9- 6	214-17811-01	HOUSING	1		
9- 7	93210-07100	O-RING (2 2-7.2)	1		
9- 8	214-17847-00	SHIM (7.5-10.8-0.4)	1		
9- 9	214-17815-00	BUSHING	1		
9-10	214-17812-00	STOPPER	1		
9-11	92501-06010	SCREW, pan head	1		
9-12	92901-06100	WASHER, spring	1		
9-13	214-17843-00	BUSHING	1		

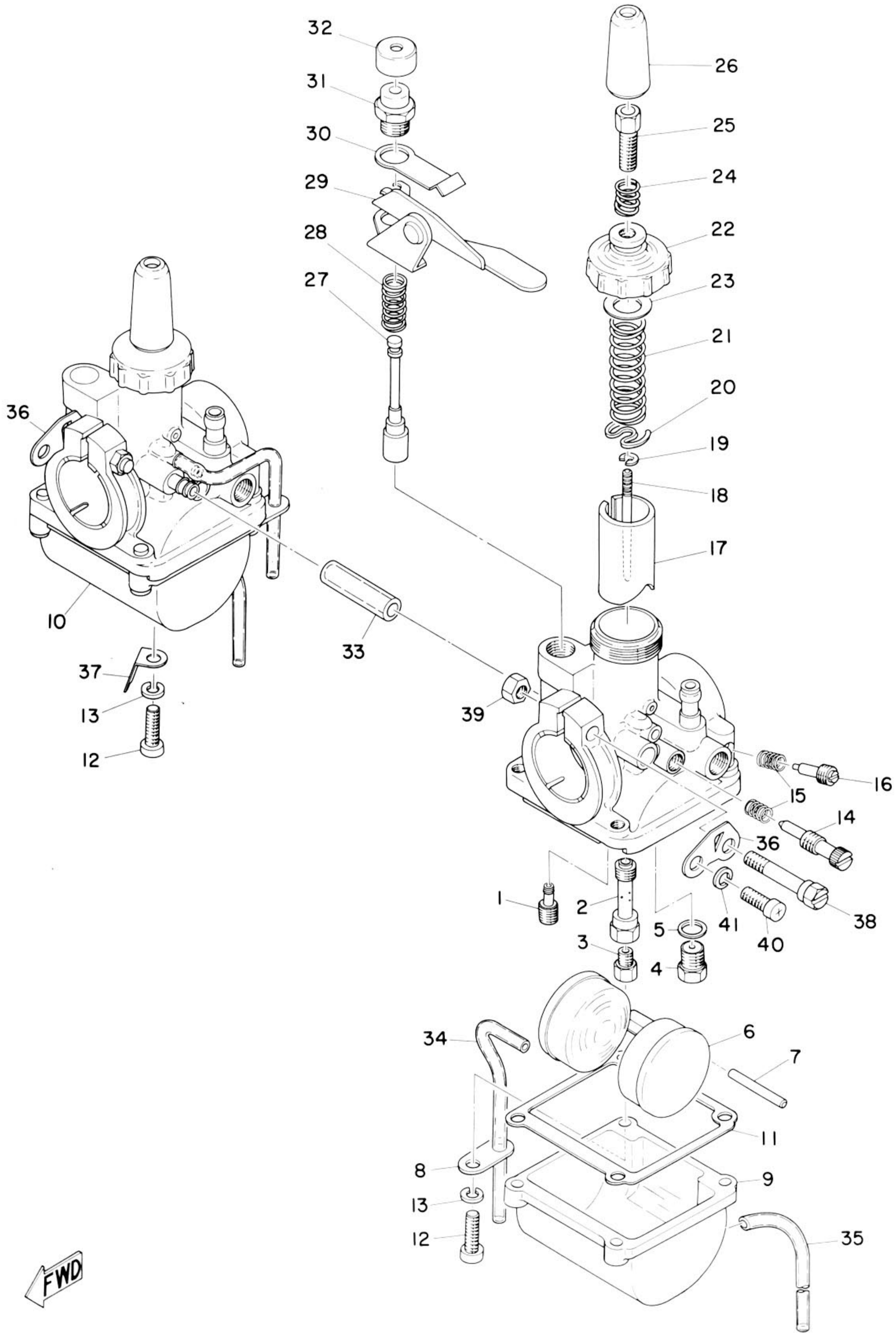
Fig. 10 INTAKE



INTAKE

Ref. No.	Parts No.	Description	Q'ty	Applicable Machine No.	Remarks
10- 1	337-14411-00-33	CASE, air cleaner	1		
10- 2	307-14412-00-33	CAP, cleaner left	1		
10- 3	307-14422-00-33	CAP, cleaner right	1		
10- 4	337-14451-00	ELEMENT, air cleaner	2		
10- 5	92501-06010	SCREW, pan head	2		
10- 6	92901-06200	WASHER, plain	2		
10- 7	337-14453-00	JOINT, air cleaner	2		
10- 8	304-14455-00	BAND	2		
10- 9	217-14456-00	BAND	2		
10-10	92501-06050	SCREW, pan head	2		
10-11	92901-06100	WASHER, spring	2		

Fig. 11 CARBURETOR

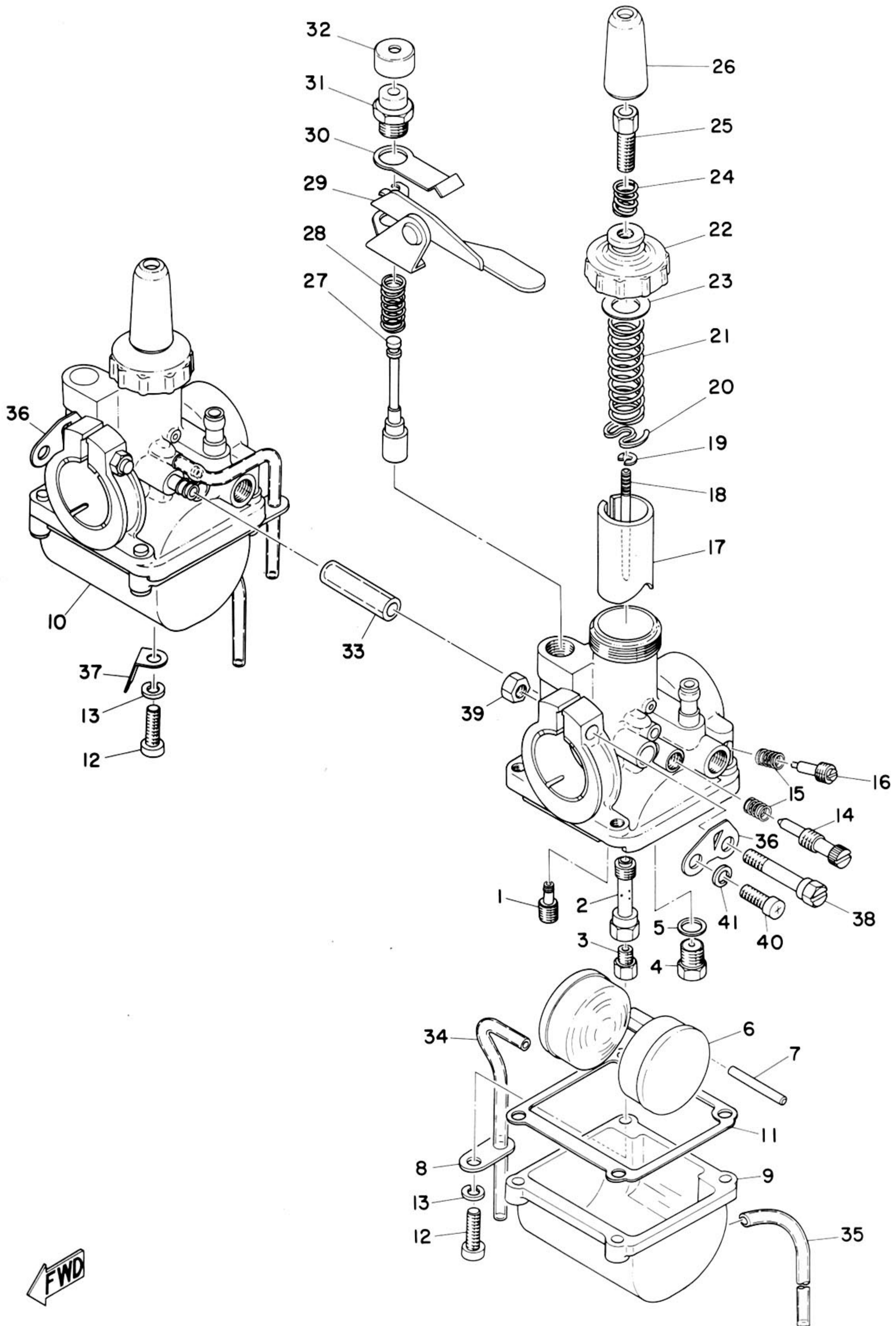


FWD

CARBURETOR

Ref. No.	Parts No.	Description	Q'ty	Applicable Machine No.	Remarks
11- 0-1	337-14101-60	CARBURETOR ASS'Y, left	1		
11- 0-2	337-14102-60	CARBURETOR ASS'Y, right	1		
11- 1	193-14142-25	. JET, pilot (#25)	2		
11- 2	174-14141-32	. NOZZLE, main (0-2)	2		
11- 3	137-14143-10	. JET, main (#50)	2		
	137-14143-11	. JET, main (#55)	2		STD
	137-14143-12	. JET, main (#60)	2		
	137-14143-13	. JET, main (#65)	2		
11- 4	127-14190-15	. VALVE SEAT ASS'Y (#1.5)	2		
11- 5	127-14195-00	. WASHER, valve seat	2		
11- 6	205-14185-00	. FLOAT	2		
11- 7	137-14186-00	. PIN, float	2		
11- 8	132-14146-00	. PLATE	2		
11- 9	174-14181-01	. BODY, float chamber left	1		
11-10	293-14183-00	. BODY, float chamber right	1		
11-11	164-14184-00	. GASKET, float chamber	2		
11-12	98501-04014	. SCREW, pan head	8		
11-13	92900-04100	. WASHER, spring	8		
11-14	174-14122-00	. SCREW, throttle	2		
11-15	174-14134-00	. SPRING, air adjusting	4		
11-16	174-14123-00	. SCREW, air adjusting	2		
11-17	193-14112-20	. VALVE, throttle left (C.A 2.0)	1		
	193-14113-20	. VALVE, throttle right (C.A. 2.0)	1		
11-18	156-14116-10	. NEEDLE (4D 10-2)	2		
11-19	164-14137-00	. CLIP	2		

Fig. 11 CARBURETOR

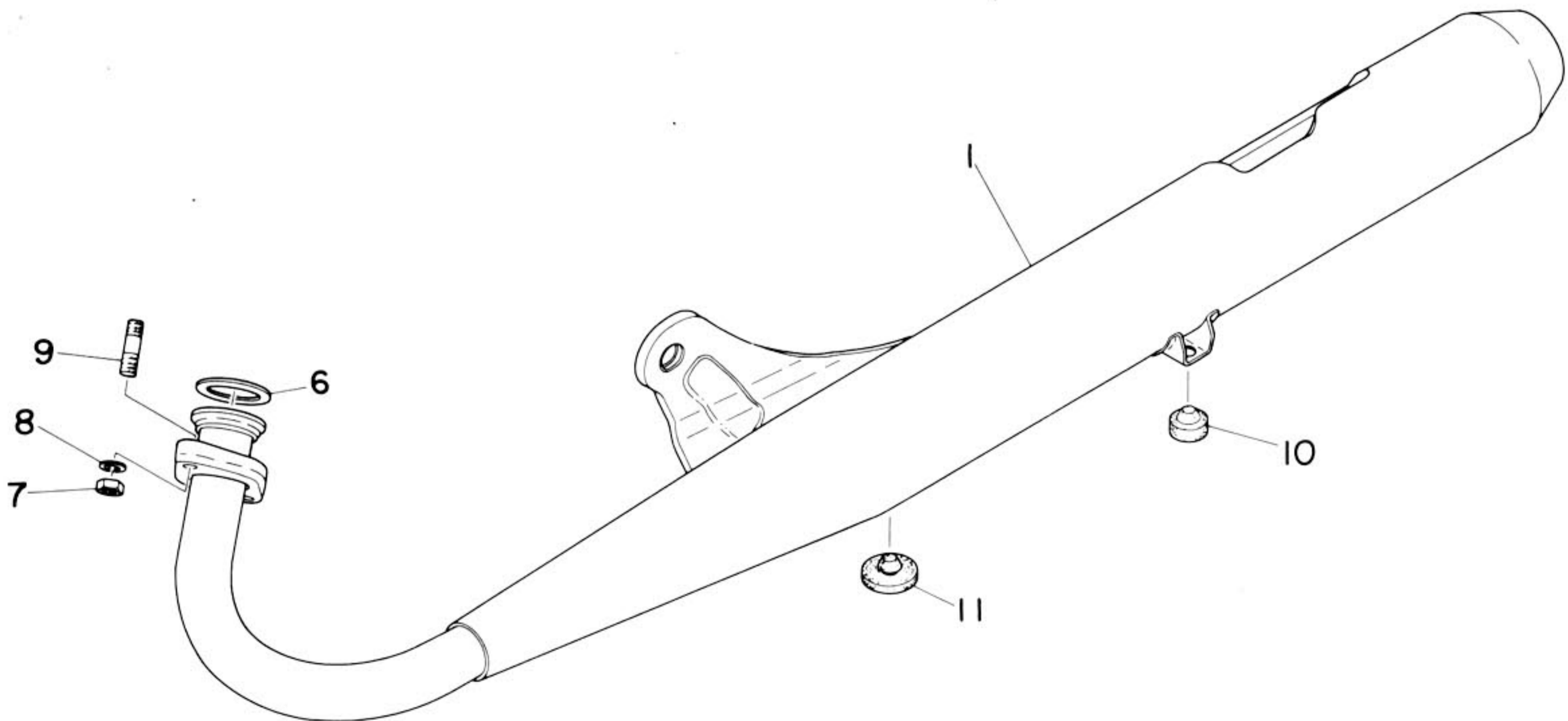
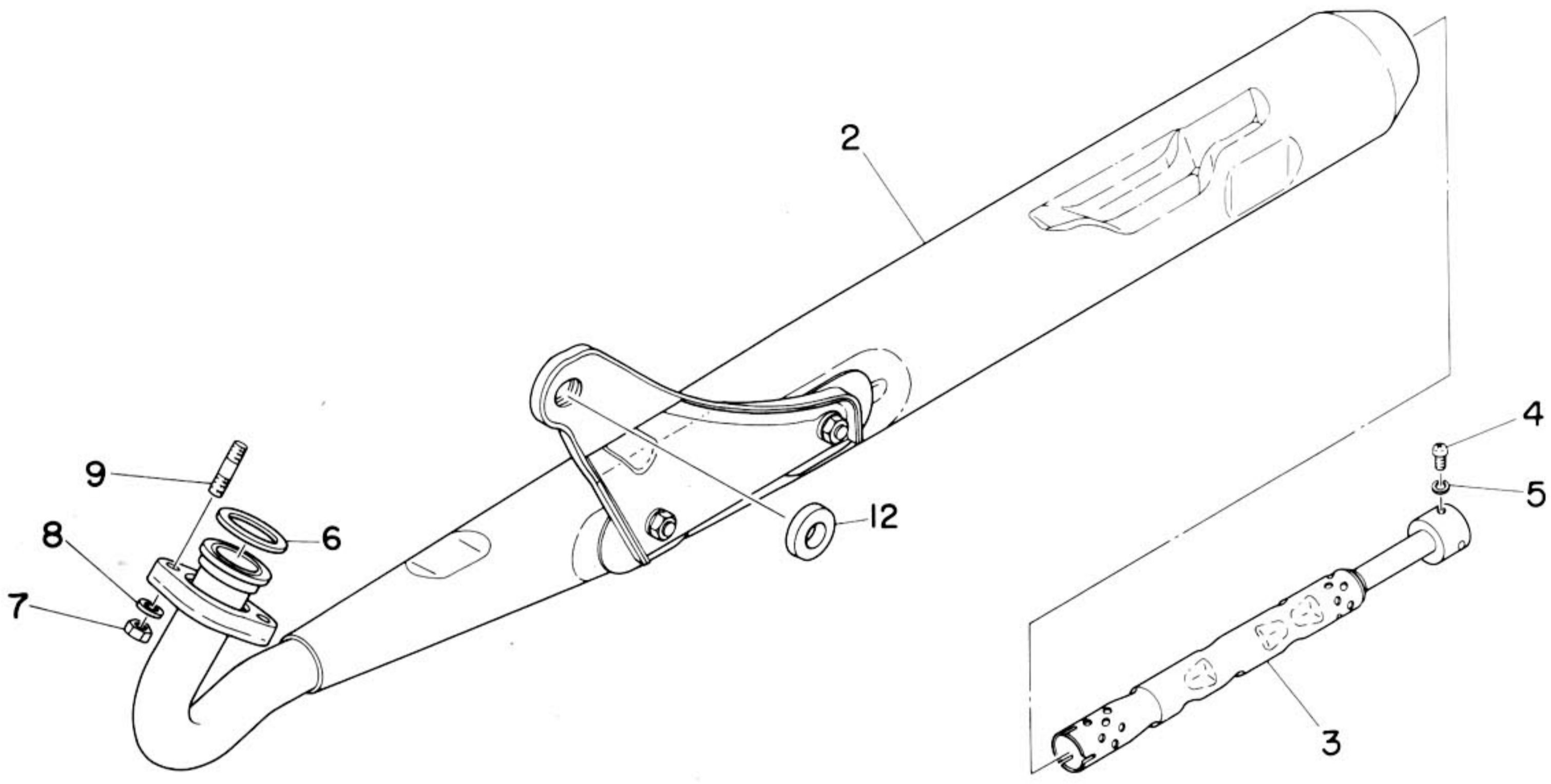


FWD

CARBURETOR

Ref. No.	Parts No.	Description	Q'ty	Applicable Machine No.	Remarks
11-20	137-14136-00	. SEAT, spring	2		
11-21	276-14131-00	. SPRING, throttle valve	2		
11-22	193-14158-00	. TOP, mixing chamber	2		
11-23	193-14126-00	. PACKING	2		
11-24	193-14133-00	. SPRING, throttle stop	2		
11-25	193-14124-26	. SCREW, wire adjusting	2		
11-26	307-14169-00	. CAP	2		
11-27	174-14171-00	. PLUNGER, starter	1		
11-28	256-14135-00	. SPRING, plunger	1		
11-29	337-14175-00	. LEVER, starter	1		
11-30	174-14178-00	. PLATE, starter lever	1		
11-31	802-14174-00	. CAP, plunger	1		
11-32	802-14173-00	. COVER, plunger	1		
11-33	293-14194-00	. PIPE, joint	1		
11-34	183-14196-00	. PIPE, over flow (3-160)	2		
11-35	183-14197-01	. PIPE, air vent (3-220)	2		
11-36	337-14247-00	. PLATE	2		
11-37	307-14248-00	. PLATE, right	1		
11-38	137-14125-00	. SCREW, body fitting	2		
11-39	98801-06100	. NUT	2		
11-40	98501-05012	SCREW, pan head	2		
11-41	92901-05100	WASHER, spring	2		

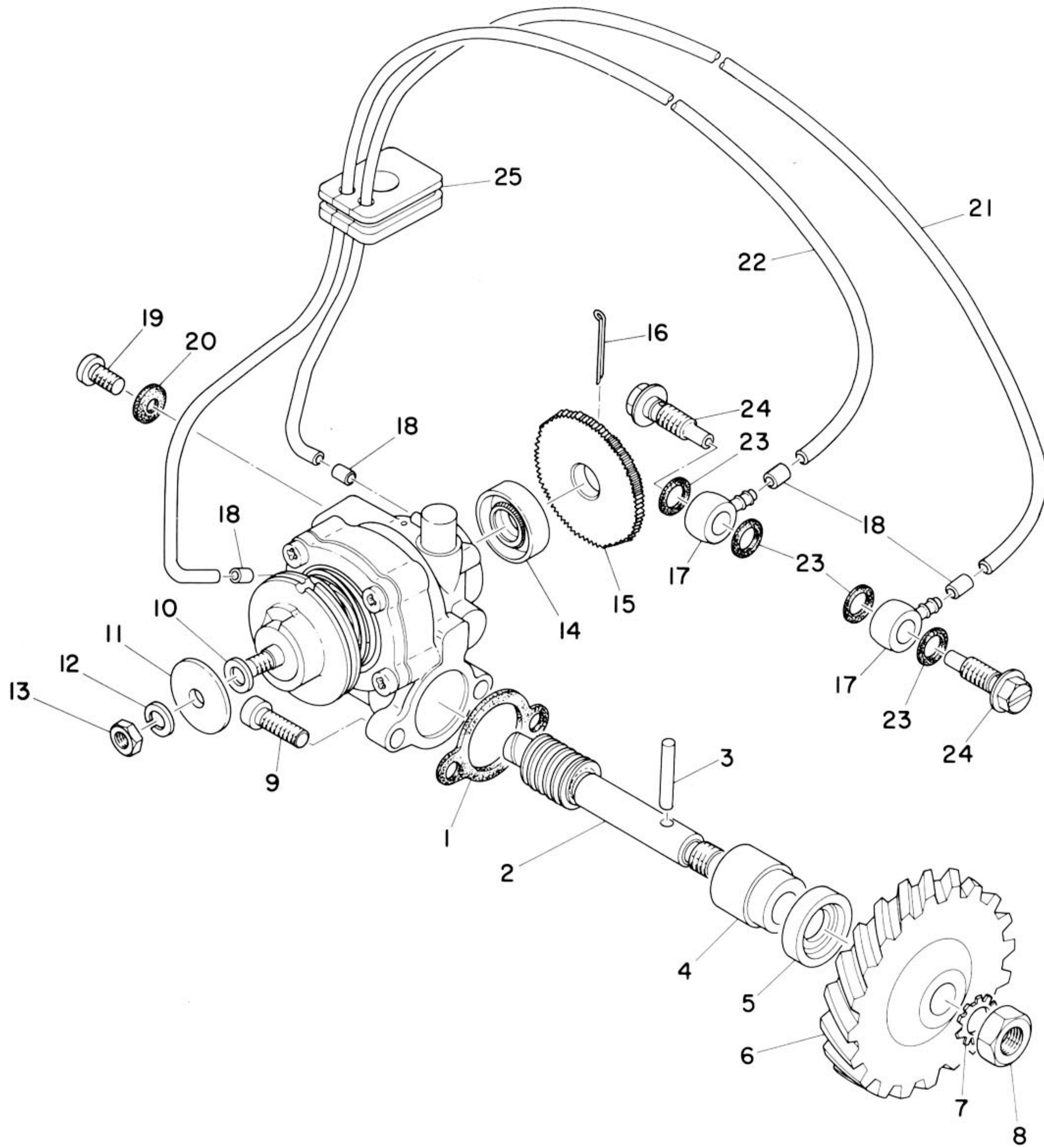
Fig. 12 EXHAUST



EXHAUST

Ref. No.	Parts No.	Description	Q'ty	Applicable Machine No.	Remarks
12- 1	337-14610-00	EXHAUST PIPE ASS'Y, left 1		
12- 2	337-14620-00	EXHAUST PIPE ASS'Y, right 1		
12- 3	293-14753-01	. SILENCER 2		
12- 4	98501-05010	. SCREW, pan head 2		
12- 5	92901-05100	. WASHER, spring 2		
12- 6	132-14613-00	GASKET, exhaust pipe 2		
12- 7	98803-08200	NUT 4		
12- 8	92901-08100	WASHER, spring 4		
12- 9	246-14651-00	STUD 4		
12-10	102-27114-00	STOPPER, main stand 1		
12-11	256-27314-00	STOPPER, side stand 1		
12-12	337-14779-00-33	COLLAR, distance (15-30-6.5) 1		

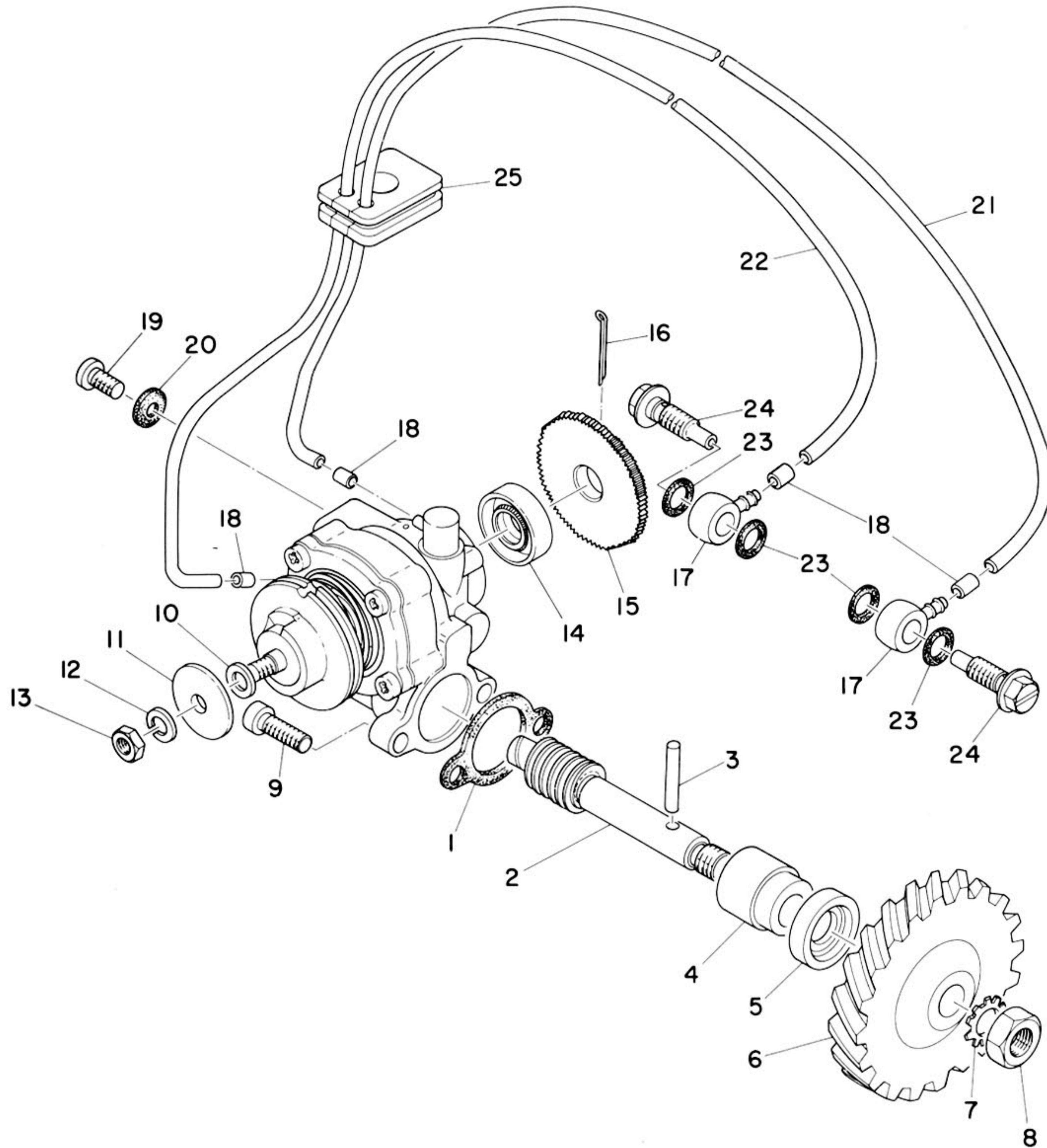
Fig. 13 OIL PUMP



OIL PUMP

Ref. No.	Parts No.	Description	Q'ty	Applicable Machine No.	Remarks
13- 1	126-13116-00	GASKET, pump case	1		
13- 2	174-13175-00	SHAFT, worm	1		
13- 3	93603-22028	PIN, dowel (3-21.8)	1		
13- 4	137-13176-00	METAL, worm shaft outer	1		
13- 5	93101-10002	OIL SEAL (S-10-22-7)	1		
13- 6	174-13178-00	GEAR, drive (20T)	1		
13- 7	92901-08400	WASHER, tooth	1		
13- 8	98801-08300	NUT	1		
13- 9	98501-05015	SCREW, pan head	2		
13- 0-1	293-13101-00	OIL PUMP ASS'Y	1		
13-10	137-13137-00	. SHIM (5.8-10-0.1)	U.R		
13-11	137-13138-01	. PLATE, adjusting	1		
13-12	92901-05100	. WASHER, spring	1		
13-13	98801-05200	. NUT	1		
13-14	93101-10001	. OIL SEAL (S-10-21-5)	1		
13-15	137-13128-00	. PLATE, starter	1		
13-16	91401-12018	. PIN, cotter	1		
13-17	214-13162-00	. BANJO, delivery pipe	2		
13-18	214-13164-00	. CLIP, delivery pipe	4		
13-19	98901-04008	. SCREW, bind	1		
13-20	137-13187-00	. GASKET, breather (4.2-8.5-0.5)	1		
13-21	278-13161-00	. PIPE, delivery (3-420)	1		
13-22	214-13161-01	. PIPE, delivery (3-240)	1		
13-23	137-13167-00	GASKET, banjo bolt 1 (6-13-0.5)	4		

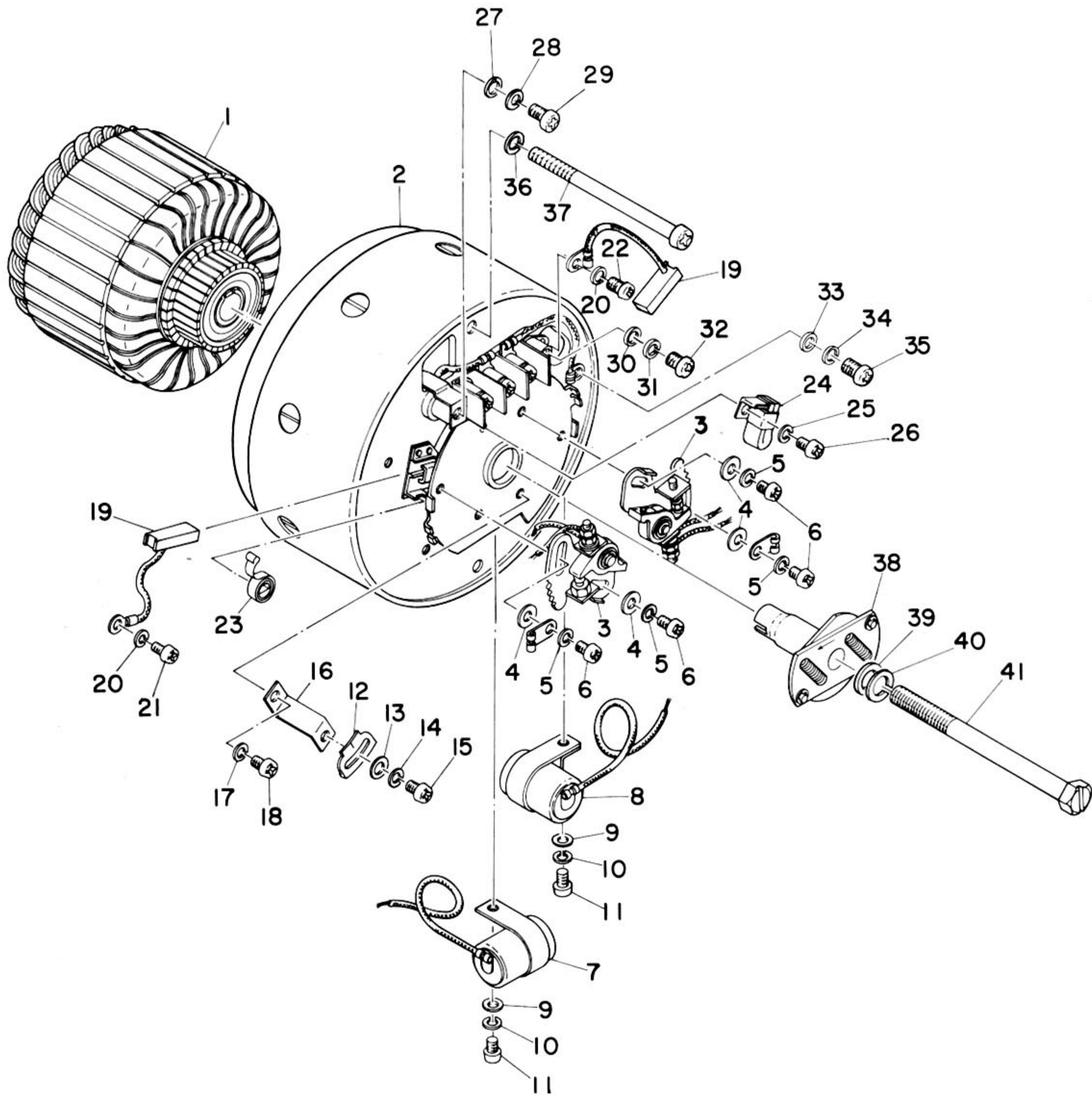
Fig. 13 OIL PUMP



OIL PUMP

Ref. No.	Parts No.	Description	Q'ty	Applicable Machine No.	Remarks
13-24	132-13166-00	BOLT, banjo 2	2		
13-25	293-13174-00	HOLDER, oil pipe	1		

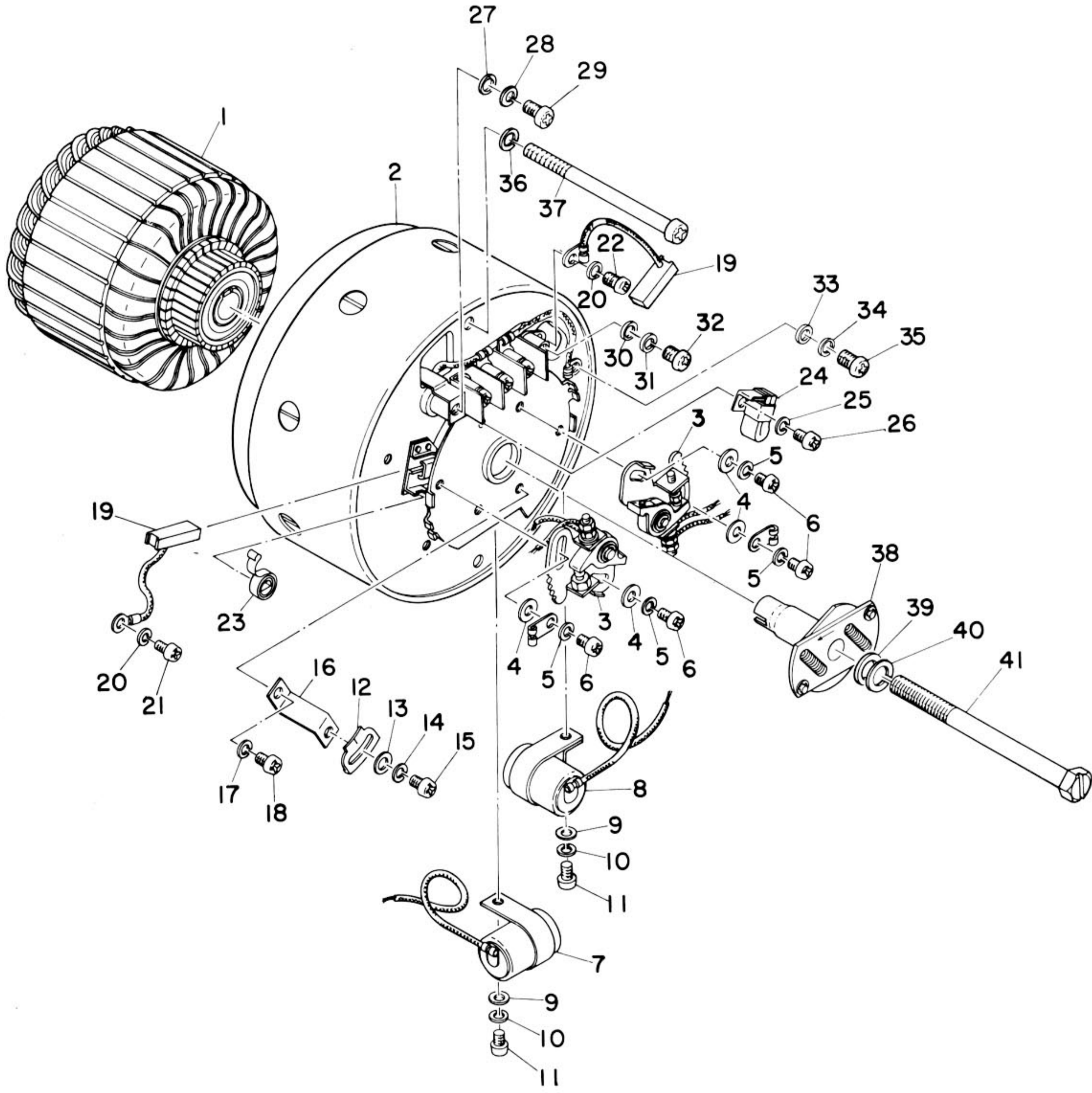
Fig. 14 STARTER GENERATOR



STARTER GENERATOR

Ref. No.	Parts No.	Description	Q'ty	Applicable Machine No.	Remarks
14- 0-1	193-81100-10	STARTER GENERATOR ASS'Y 1		HITACHI
14- 1	173-81155-10	. ARMATURE 1		
14- 2	193-81110-10	. STATOR ASS'Y 1		
14- 3	132-81221-10	. . CONTACT BREAKER ASS'Y 2		
14- 4	92901-04200	. . WASHER, plain 4		
14- 5	92901-04100	. . WASHER, spring4		
14- 6	164-81246-21	. . SCREW, cylinder head (4-8) 4		
14- 7	132-81226-10	. . CONDENSER, left 1		
14- 8	132-81225-10	. . CONDENSER, right 1		
14- 9	92901-04200	. . WASHER, plain 2		
14-10	92901-04100	. . WASHER, spring 2		
14-11	165-81145-21	. . SCREW, pan head 2		
14-12	133-81132-10	. . PLATE, timing 1		
14-13	92901-04200	. . WASHER, plain 1		
14-14	92901-04100	. . WASHER, spring 1		
14-15	164-81245-21	. . SCREW, cylinder head (4-6)	... 1		
14-16	199-81133-10	. . FIXTURE, timing plate 1		
14-17	92901-04100	. . WASHER, spring 1		
14-18	165-81145-21	. . SCREW, pan head 1		
14-19	173-81111-10	. . BRUSH 4		
14-20	92901-04100	. . WASHER, spring 4		
14-21	98501-04008	. . SCREW, pan head 3		
14-22	98501-04008	. . SCREW, pan head 1		
14-23	141-81113-10	. . SPRING, brush 4		

Fig. 14 STARTER GENERATOR



 FWD

STARTER GENERATOR

Ref. No.	Parts No.	Description	Q'ty	Applicable Machine No.	Remarks
14-24	132-81231-10	. . LUBRICATOR	1		
14-25	92901-04100	. . WASHER, spring	1		
14-26	165-81145-21	. . SCREW, pan head	1		
14-27	92901-05200	. . WASHER, plain	1		
14-28	92901-05100	. . WASHER, spring	1		
14-29	193-81146-20	. . SCREW, pan head	1		
14-30	92901-04200	. . WASHER, plain	4		
14-31	92901-04100	. . WASHER, spring	4		
14-32	165-81145-21	. . SCREW, pan head	4		
14-33	92901-04200	. . WASHER, plain	1		
14-34	92901-04100	. . WASHER, spring	1		
14-35	165-81145-21	. . SCREW, pan head	1		
14-36	92901-05100	. . WASHER, spring	2		
14-37	183-81435-10	. . SCREW, stator	2		
14-38	173-81153-10	. . GOVERNOR ASS'Y	1		
14-39	173-81162-10	. . WASHER, plain	1		
14-40	92901-08100	. . WASHER, spring	1		
14-41	141-81152-10	. . BOLT	1		





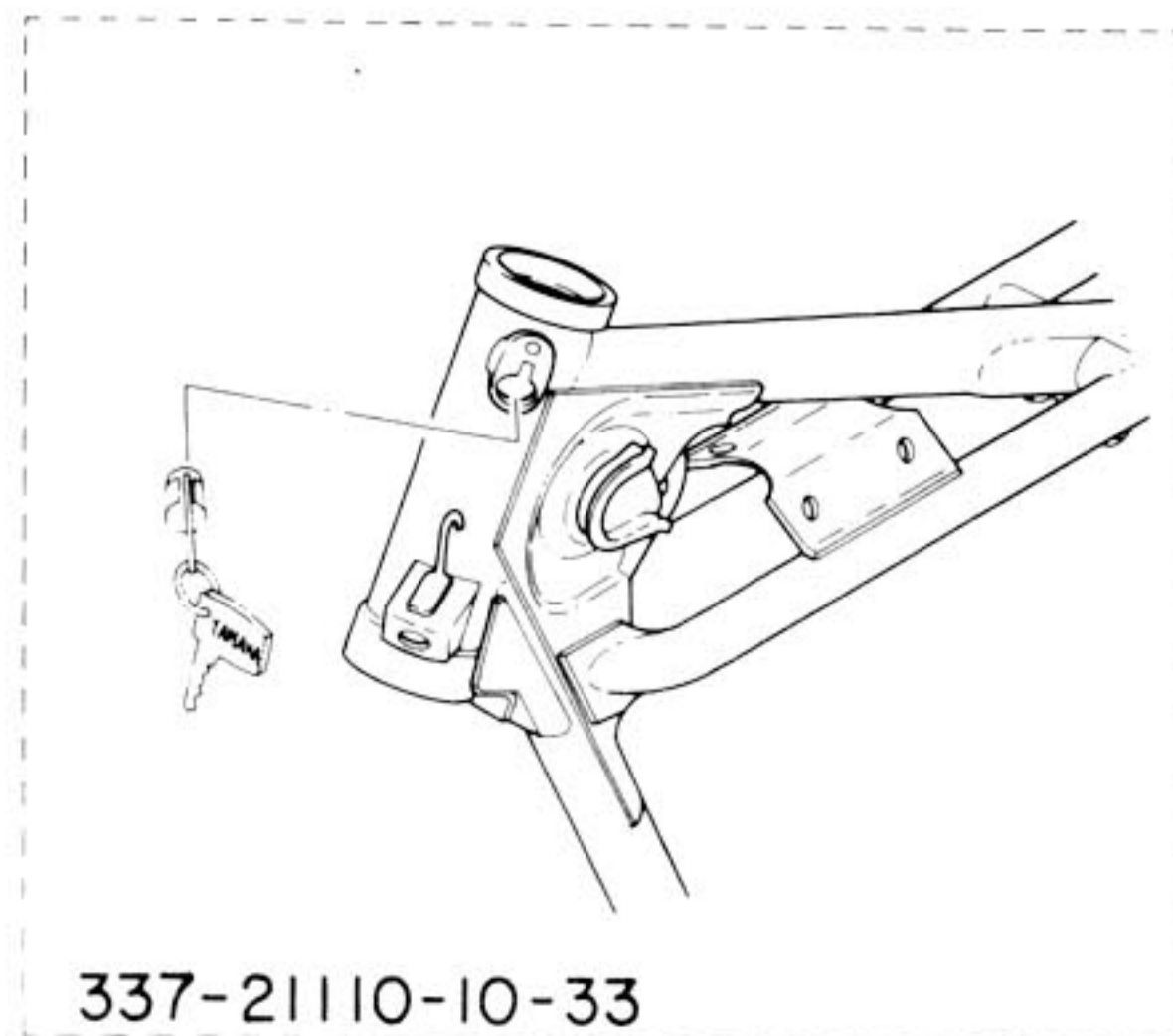
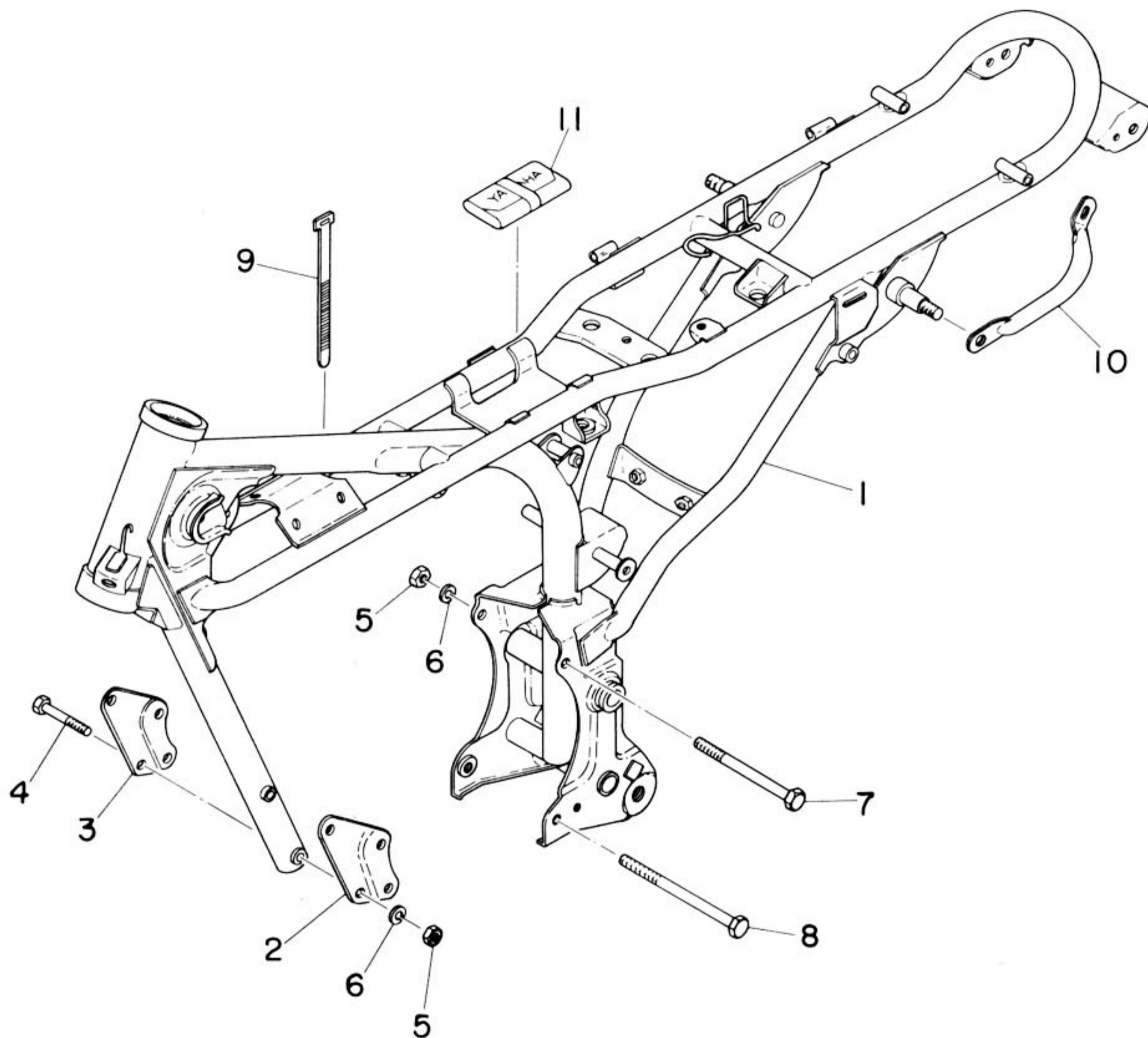
CHASSIS







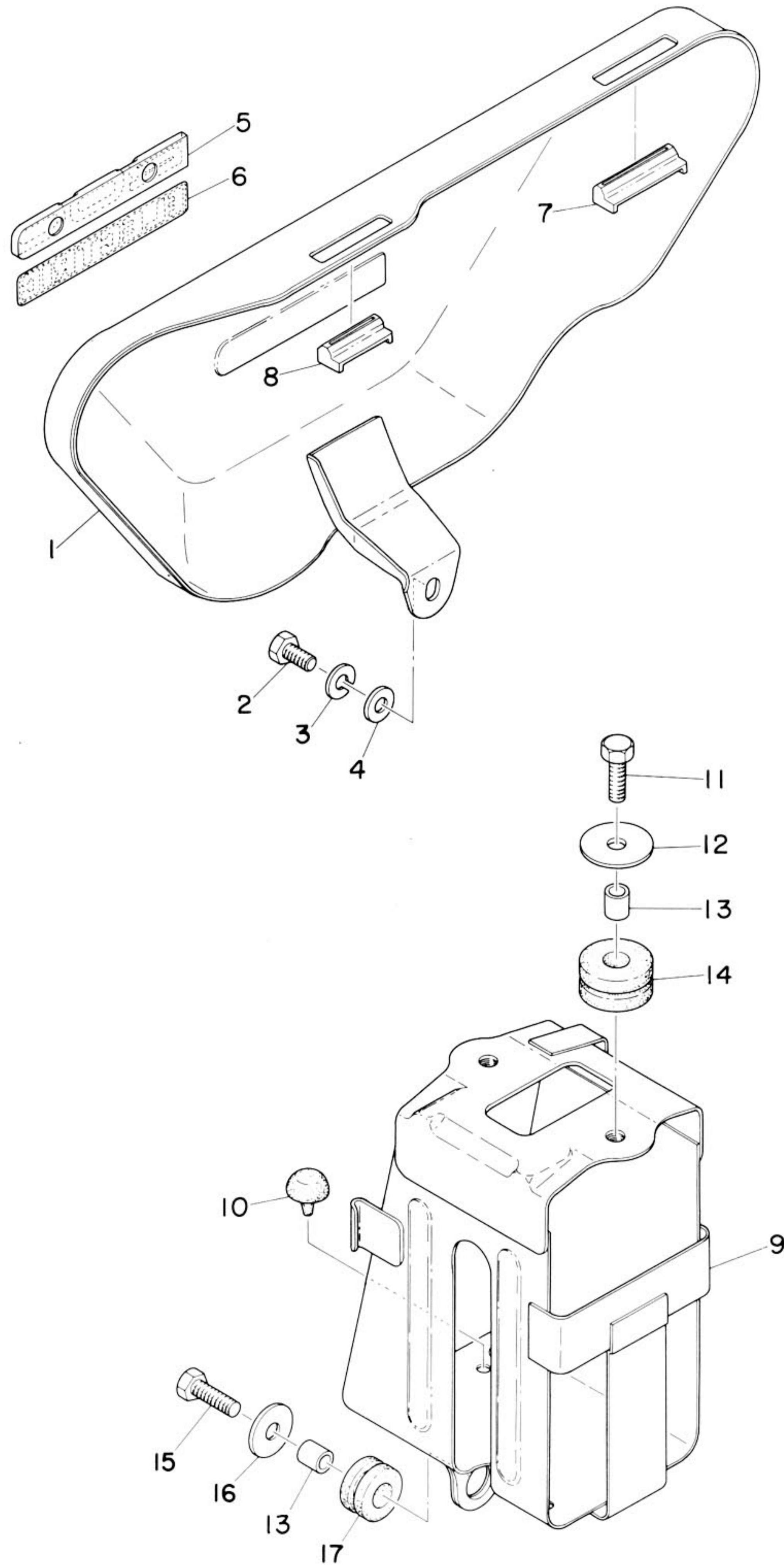
Fig. 15 FRAME



FRAME

Ref. No.	Parts No.	Description	Q'ty	Applicable Machine No.	Remarks
15- 1	337-21110-00-33	FRAME COMP.	1		
	337-21110-10-33	FRAME COMP.	1		Destined for W.Germany
15- 2	337-21315-00	STAY, engine front left	1		
15- 3	337-21316-00	STAY, engine front right	1		
15- 4	174-21481-00	BOLT, engine mounting 1	4		
15- 5	98801-08200	NUT	5		
15- 6	92901-08100	WASHER, spring	5		
15- 7	174-21482-00	BOLT, engine mounting 2	1		
15- 8	116-21483-00	BOLT, engine mounting 3	1		
15- 9	803-82591-00	BAND	2		
15-10	337-21165-00-93	HANDLE, standing	1		
15-11	174-28100-10	TOOL ASS'Y	1		

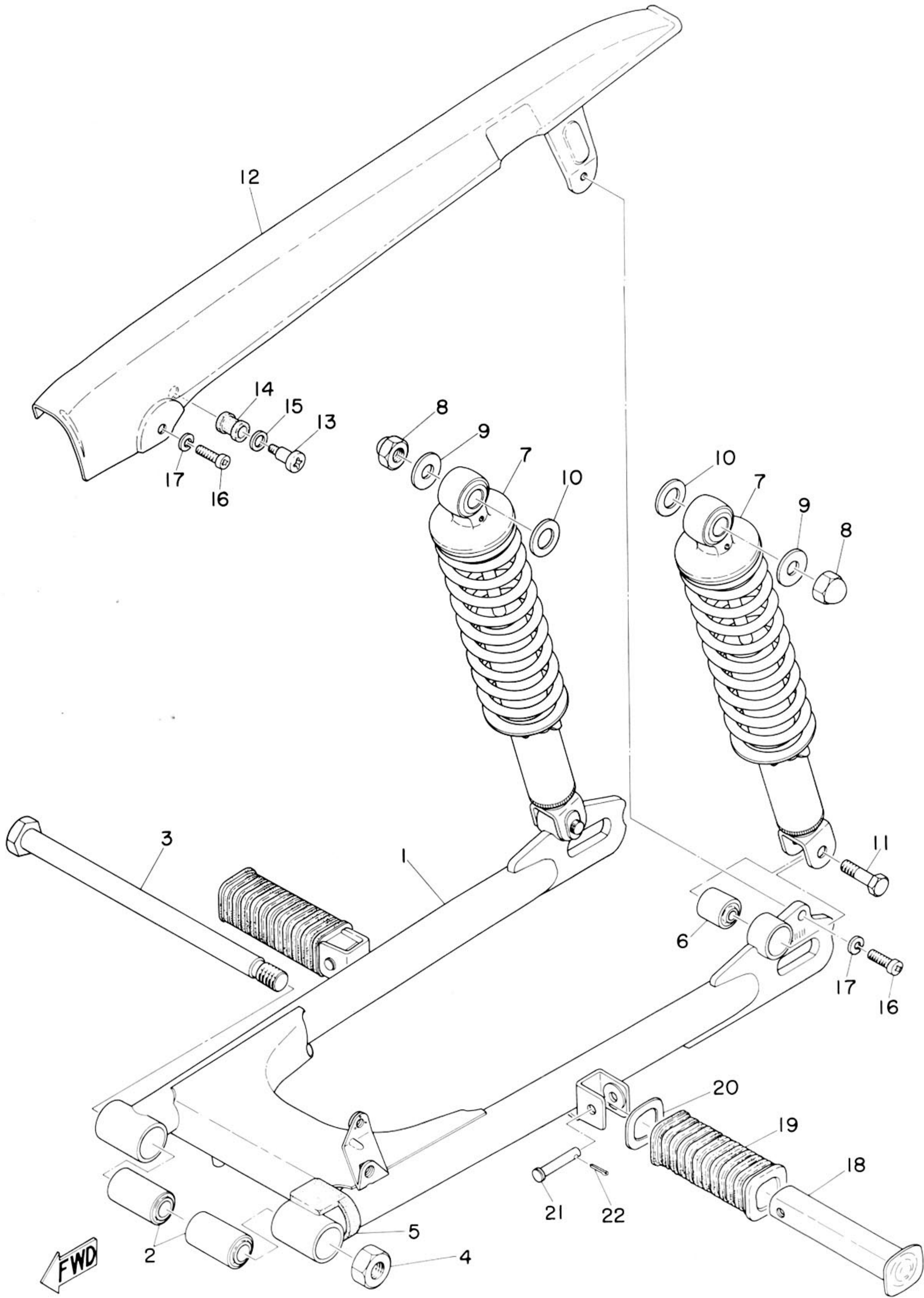
Fig. 16 SIDE COVER · BOX



SIDE COVER - BOX

Ref. No.	Parts No.	Description	Q'ty	Applicable Machine No.	Remarks
16- 1	337-21710-00-34	COVER, side	1		Metalic Purple
16- 2	91201-06012	BOLT	1		
16- 3	92901-06100	WASHER, spring	1		
16- 4	92901-06200	WASHER, plain	1		
16- 5	337-21786-00-34	EMBLEM	1		
16- 6	320-21787-00	EMBLEM, electric	1		
16- 7	326-21717-00	DAMPER, side cover	1		
16- 8	278-21717-00	DAMPER, side cover	1		
16- 9	337-21170-00	BOX COMP, battery	1		
16-10	141-21717-00	DAMPER, side cover	4		
16-11	91201-06020	BOLT	2		
16-12	248-21757-00	WASHER, special (6.5-28-1.6)	2		
16-13	214-21633-00	COLLAR, fender mount	3		
16-14	248-21717-00	DAMPER, battery box 1	2		
16-15	91201-06025	BOLT,	1		
16-16	116-28324-00	WASHER, leg shield (6.5-20-1.6) .	1		
16-17	214-21717-00	DAMPER, battery box 1	1		

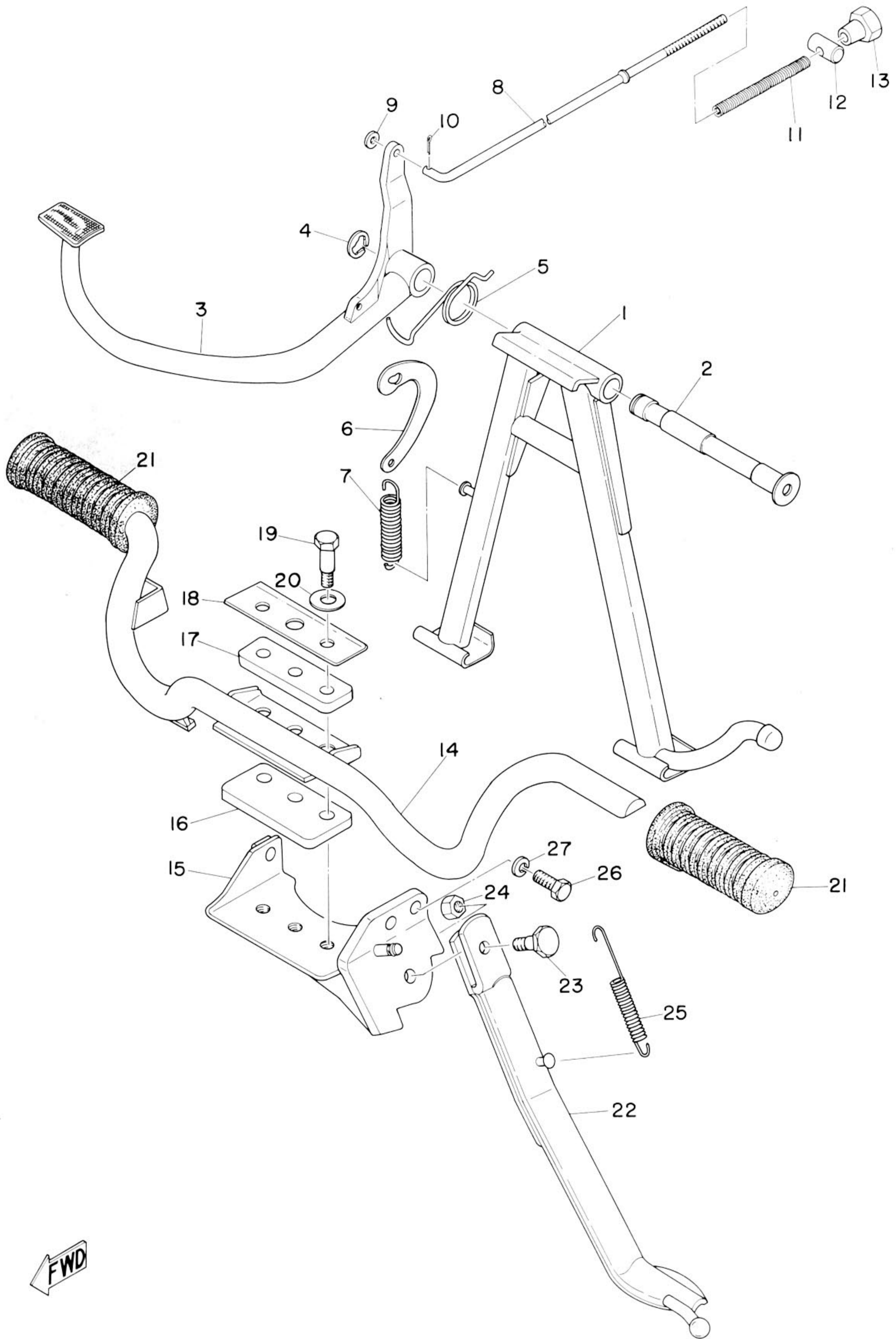
Fig. 17 REAR ARM · REAR CUSHION · CHAIN CASE



REAR ARM · REAR CUSHION · CHAIN CASE

Ref. No.	Parts No.	Description	Q'ty	Applicable Machine No.	Remarks
17- 1	337-22110-00-33	REAR ARM COMP.	1		
17- 2	174-22123-00	BUSHING, rear arm	2		
17- 3	337-22141-00	SHAFT, pivot	1		
17- 4	98801-14200	NUT	1		
17- 5	173-22151-00	SEAL, guard	1		
17- 6	164-22216-00	BUSHING, rear cushion	2		
17- 7	337-22210-20	REAR CUSHION ASS'Y	2		
17- 8	92803-10700	NUT, crown	2		
17- 9	102-22243-00	WASHER, rear cushion (10.5-27-2) .	2		
17-10	135-22243-00	WASHER, rear cushion (14.8-27-2) .	2		
17-11	164-22241-00	BOLT (8-29)	2		
17-12	337-22311-00-93	CHAIN CASE, half	1		
17-13	183-22331-01	SCREW, chain case fitting	1		
17-14	183-22332-01	DAMPER, chain case	1		
17-15	183-22316-01	WASHER, chain case (7.2-15-0.6) ..	1		
17-16	92501-06012	SCREW, pan head	2		
17-17	92901-06100	WASHER, spring	2		
17-18	307-27431-00	FOOTREST, rear	2		
17-19	307-27433-00	COVER, rear footrest	2		
17-20	307-27437-00	WASHER, special	2		
17-21	91501-06035	PIN, clevis	2		
17-22	91401-16012	PIN, cotter	2		

Fig. 18 STAND · FOOTREST · BRAKE PEDAL

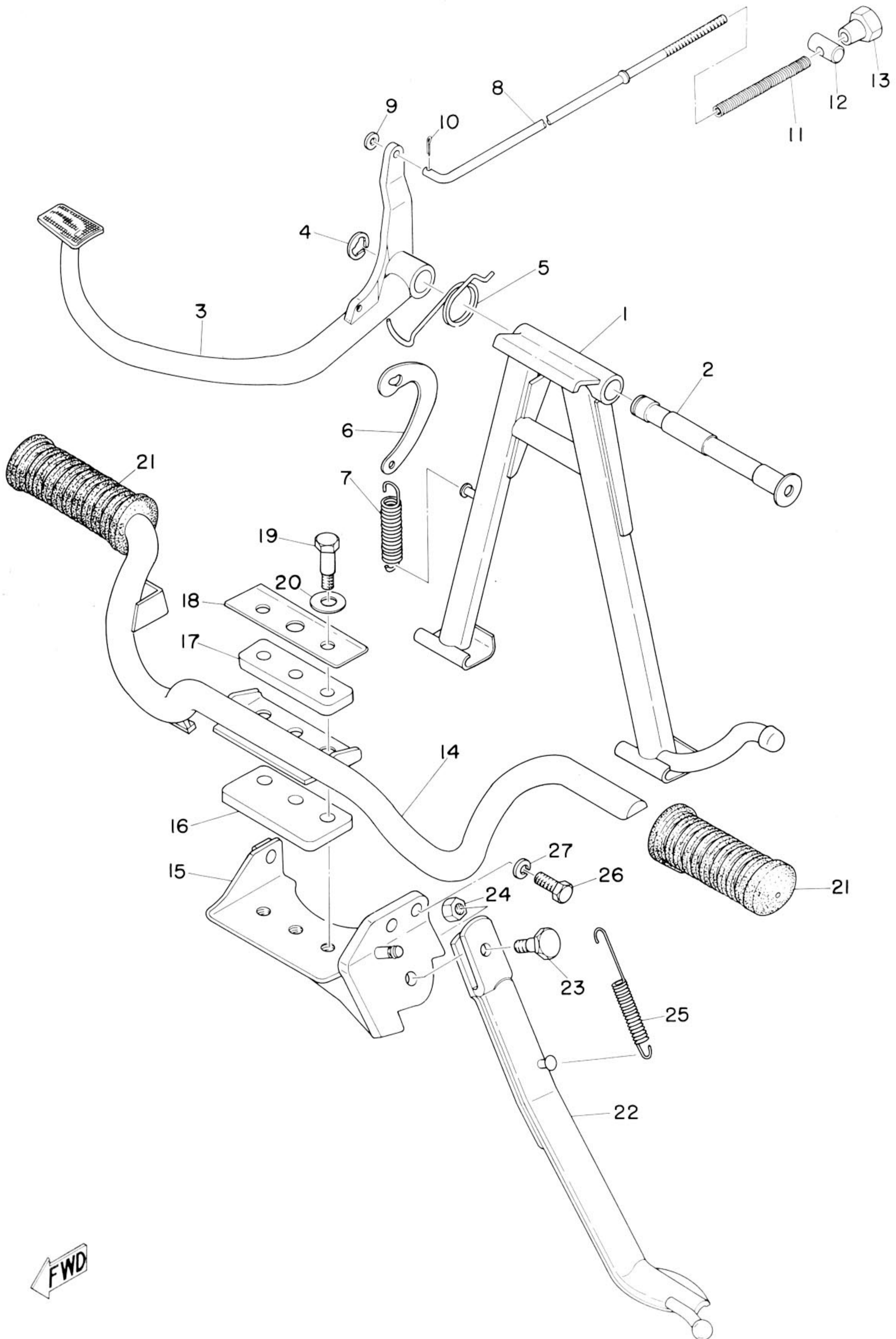


FWD

STAND · FOOTREST · BRAKE PEDAL

Ref. No.	Parts No.	Description	Q'ty	Applicable Machine No.	Remarks
18- 1	337-27111-00	STAND, main	1		
18- 2	122-27112-00	SHAFT, main stand	1		
18- 3	337-27211-00-93	PEDAL, brake	1		
18- 4	93430-12008	CIRCLIP (E-12)	1		
18- 5	183-27216-00	SPRING, return	1		
18- 6	174-27115-00	LINK	1		
18- 7	174-27116-00	SPRING, main stand	1		
18- 8	337-27231-00	ROD, brake	1		
18- 9	92901-06200	WASHER, plain	1		
18-10	91401-20012	PIN, cotter	1		
18-11	180-27236-00	SPRING, rod	1		
18-12	156-27237-00	PIN, clevis	1		
18-13	206-27238-00	NUT, adjusting	1		
18-14	337-27411-00	FOOTREST	1		
18-15	337-27412-00	BRACKET, footrest	1		
18-16	132-27442-00	DAMPER, rubber 2	1		
18-17	132-27414-00	DAMPER, rubber 1	1		
18-18	132-27417-00	WASHER, special	1		
18-19	132-27416-00	BOLT, footrest	3		
18-20	337-21491-00	WASHER, special (10.5-22-2.6) ..	3		
18-21	156-27413-00	COVER, footrest	2		
18-22	337-27311-00	STAND, side	1		
18-23	122-27317-01	BOLT, side stand	1		

Fig. 18 STAND · FOOTREST · BRAKE PEDAL

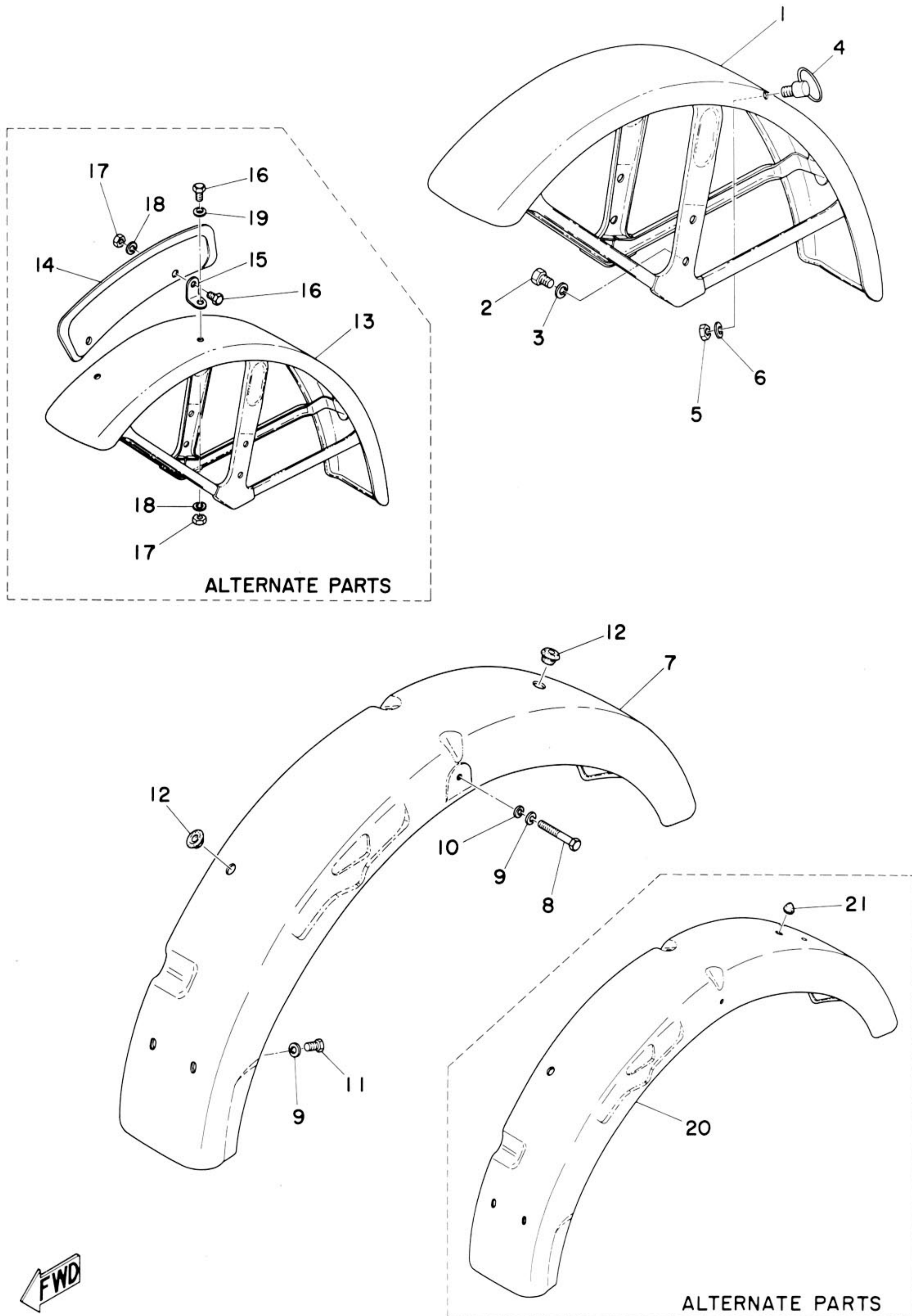


FWD

STAND ; FOOTREST · BRAKE PEDAL

Ref. No.	Parts No.	Description	Q'ty	Applicable Machine No.	Remarks
18-24	98801-08300	NUT	1		
18-25	150-27316-00	SPRING	1		
18-26	97201-08020	BOLT	1		
18-27	92901-08100	WASHER, spring	1		

Fig. 19 FRONT FENDER · REAR FENDER



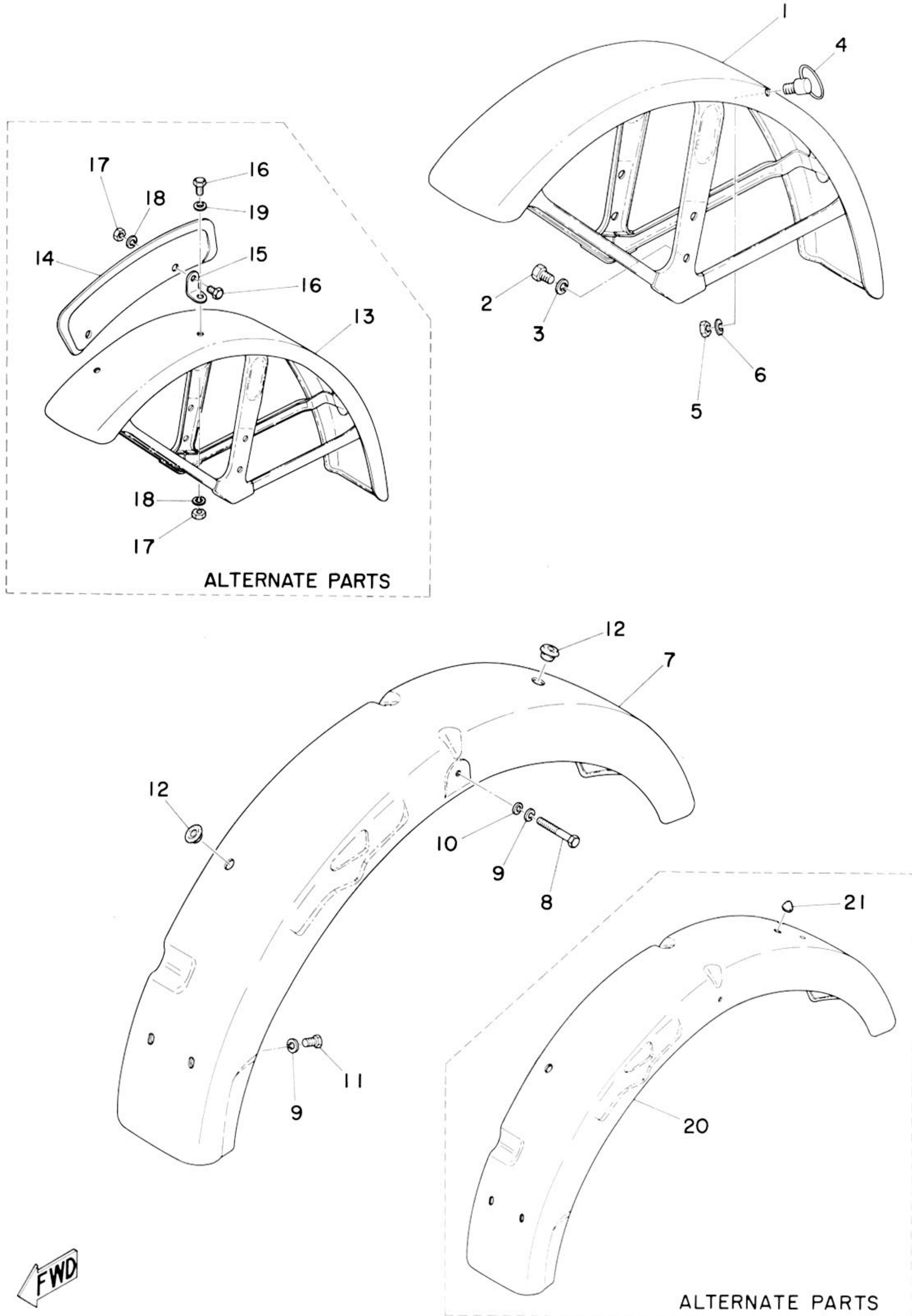
FRONT · FENDER · REAR FENDER

Ref. No.	Parts No.	Description	Q'ty	Applicable Machine No.	Remarks
19- 1	337-21510-00-93	FRONT FENDER COMP.	1		
19- 2	97201-08012	BOLT	4		
19- 3	92901-08100	WASHER, spring	4		
19- 4	174-21518-00-93	HOLDER, wire	1		
19- 5	98801-06100	NUT	1		
19- 6	92901-06100	WASHER, spring	1		
19- 7	337-21610-00-93	REAR FENDER COMP.	1		
19- 8	91101-06045	BOLT	2		
19- 9	92901-06100	WASHER, spring	4		
19-10	92901-06200	WASHER, plain	2		
19-11	91101-06012	BOLT	2		
19-12	152-84518-00	GROMMET, tail lamp	2		

ALTERNATE PARTS

19-13	337-21510-80-93	FRONT FENDER COMP.	1		
19-14	122-21582-81	PLATE, license	1		
19-15	173-21581-80-93	PLATE, fitting	2		
19-16	91203-06012	BOLT	4		
19-17	98801-06100	NUT	4		
19-18	92901-06100	WASHER, spring	4		
19-19	92901-06200	WASHER, plain	2		

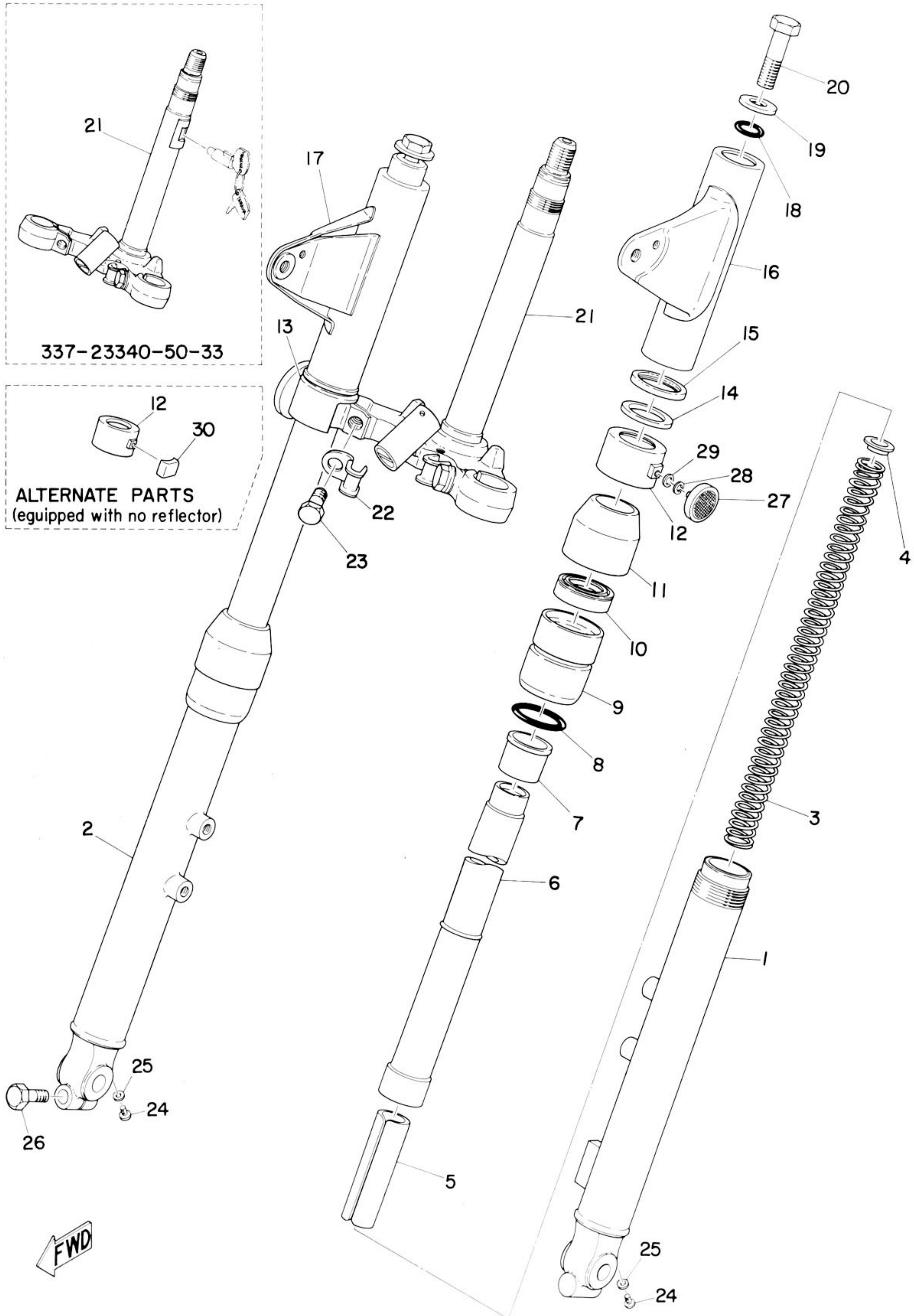
Fig. 19 FRONT FENDER · REAR FENDER



FRONT FENDER · REAR FENDER

Ref. No.	Parts No.	Description	Q'ty	Applicable Machine No.	Remarks
19-20	337-21610-30-93	REAR FENDER COMP.	1		Destined for England
19-21	170-21746-00	DAMPER, cleaner stopper	1		

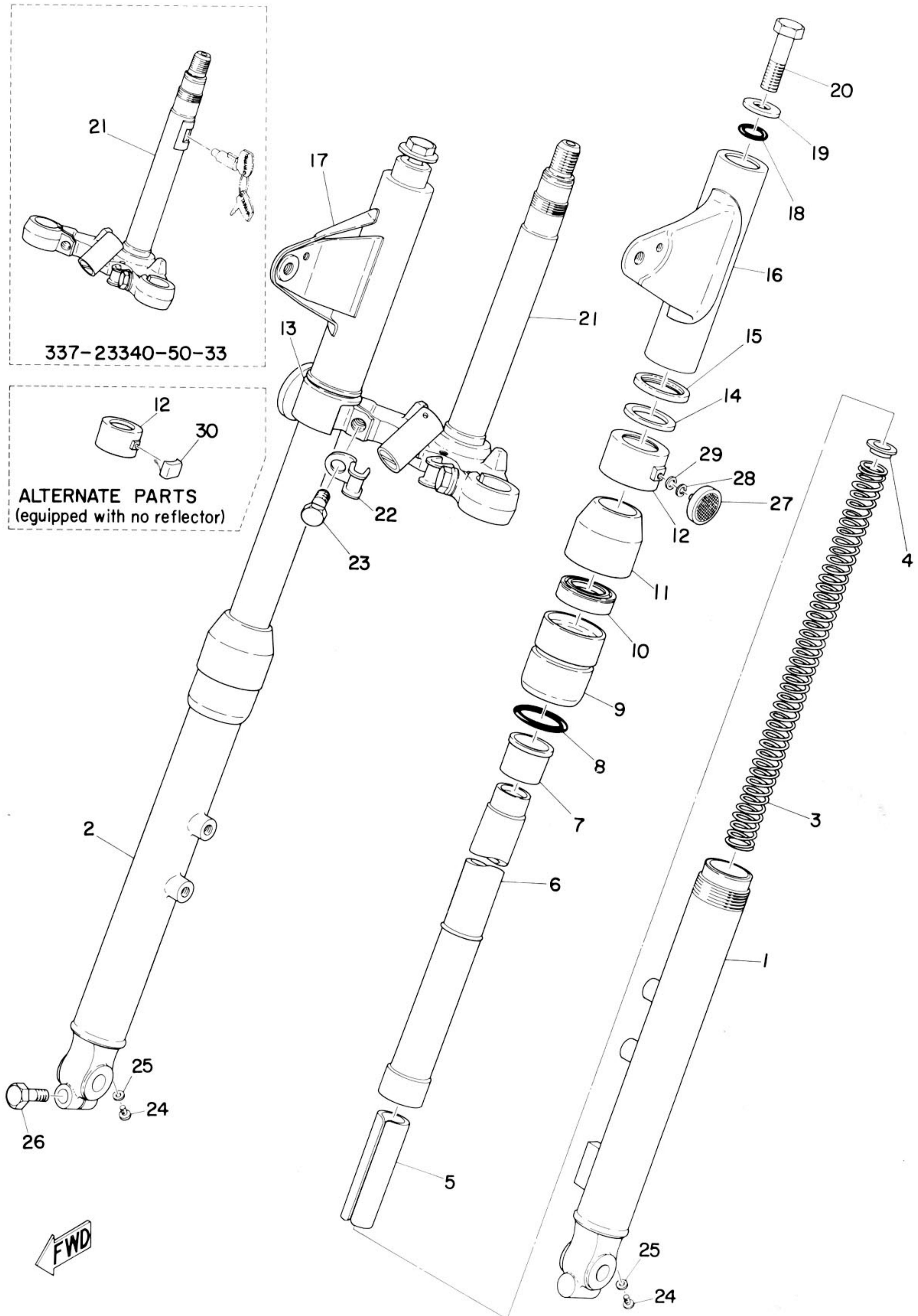
Fig. 20 FRONT FORK



FRONT FORK

Ref. No.	Parts No.	Description	Q'ty	Applicable Machine No.	Remarks
20- 0-1	337-23100-90-34	FRONT FORK ASS'Y	1		Metalic Purple
	337-23100-50-34	FRONT FORK ASS'Y (Destined for W.Germany)	1		Metalic Purple
20- 1	337-23126-60-93	. TUBE, outer left	1		
20- 2	337-23136-60-93	. TUBE, outer right	1		
20- 3	337-23141-60	. SPRING	2		
20- 4	337-23142-60	. SEAT, spring upper	2		
20- 5	248-23118-00	. SPACER	2		
20- 6	337-23124-60	. TUBE, inner	2		
20- 7	137-23125-00	. METAL, slide	2		
20- 8	137-23147-00	. O-RING	2		
20- 9	193-23150-40	. OUTER NUT COMP.	2		
20-10	137-23145-00	. . OIL SEAL	2		
20-11	248-23144-00	. SEAL, dust	2		
20-12	337-23122-50	. COVER, outer left	1		
20-13	337-23132-50	. COVER, outer right	1		
20-14	137-23163-00	. PACKING	2		
20-15	337-23116-60	. COVER, under	2		
					Metalic Purple
20-16	337-23121-60-34	. COVER, upper left	1		Metalic Purple
20-17	337-23131-60-34	. COVER, upper right	1		
20-18	337-23114-60	. PACKING (O-RING)	2		
20-19	122-23112-00	. WASHER, cap	2		
20-20	241-23111-40	. BOLT, cap	2		
20-21	337-23340-60-33	. UNDER BRACKET COMP.	1		Destind for W.Germany
	337-23340-50-33	. UNDER BRACKET COMP.	1		

Fig. 20 FRONT FORK



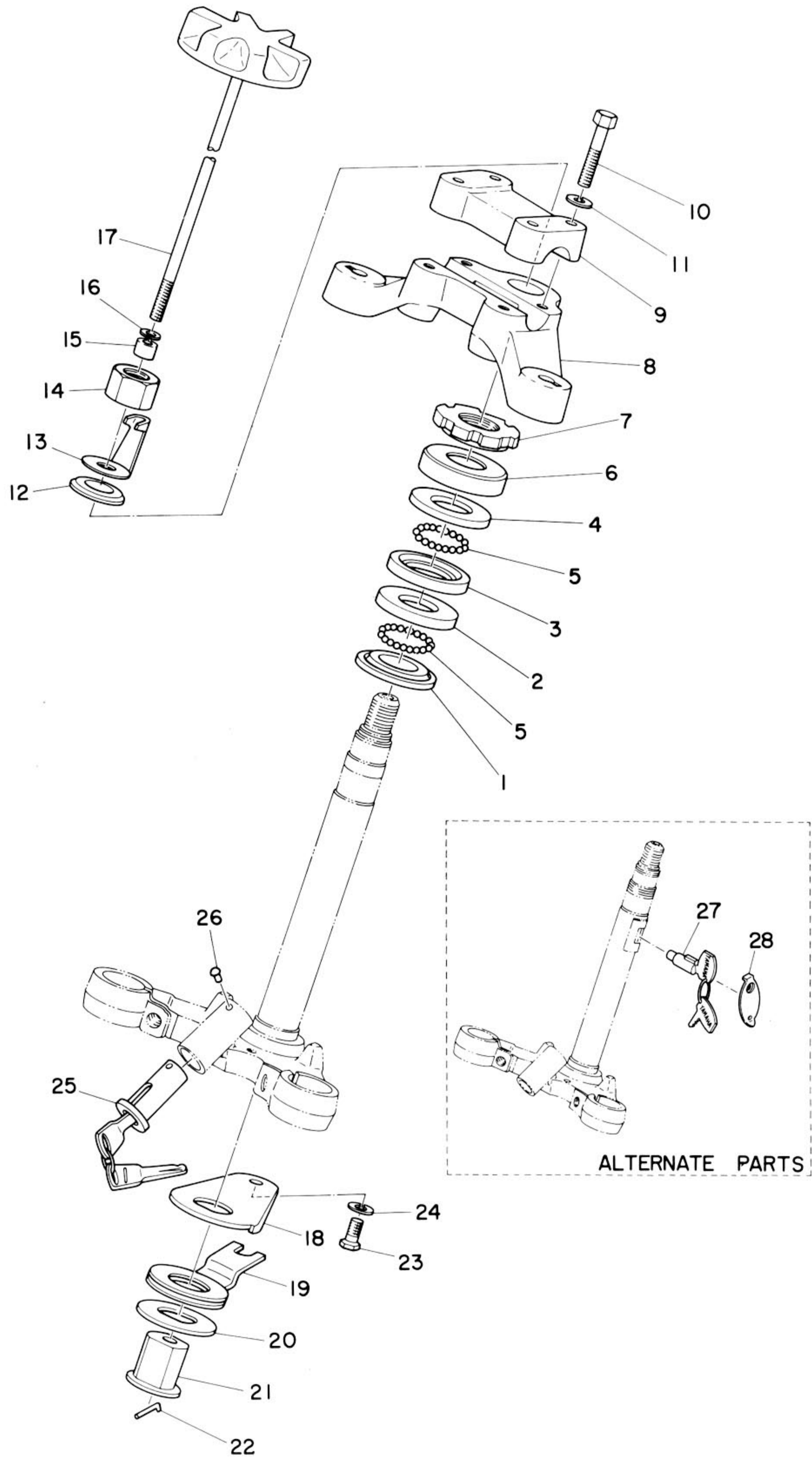
FRONT FORK

Ref. No.	Parts No.	Description	Q'ty	Applicable Machine No.	Remarks
20-22	183-23318-00	. HOLDER, wire	2		
20-23	122-23346-01	. BOLT, under bracket	2		
20-24	122-23119-01	. PLUG, drain	2		
20-25	122-23129-00	. GASKET, drain plug	2		
20-26	122-23128-00	. BOLT	1		
20-27	256-85111-10	REFLECTOR	2		
20-28	92901-05100	WASHER, spring	2		
20-29	92901-05200	WASHER, plain	2		

ALTERNATE PARTS

20-30	256-83329-00	PLUG, blind	2		
-------	--------------	-------------------	---	--	--

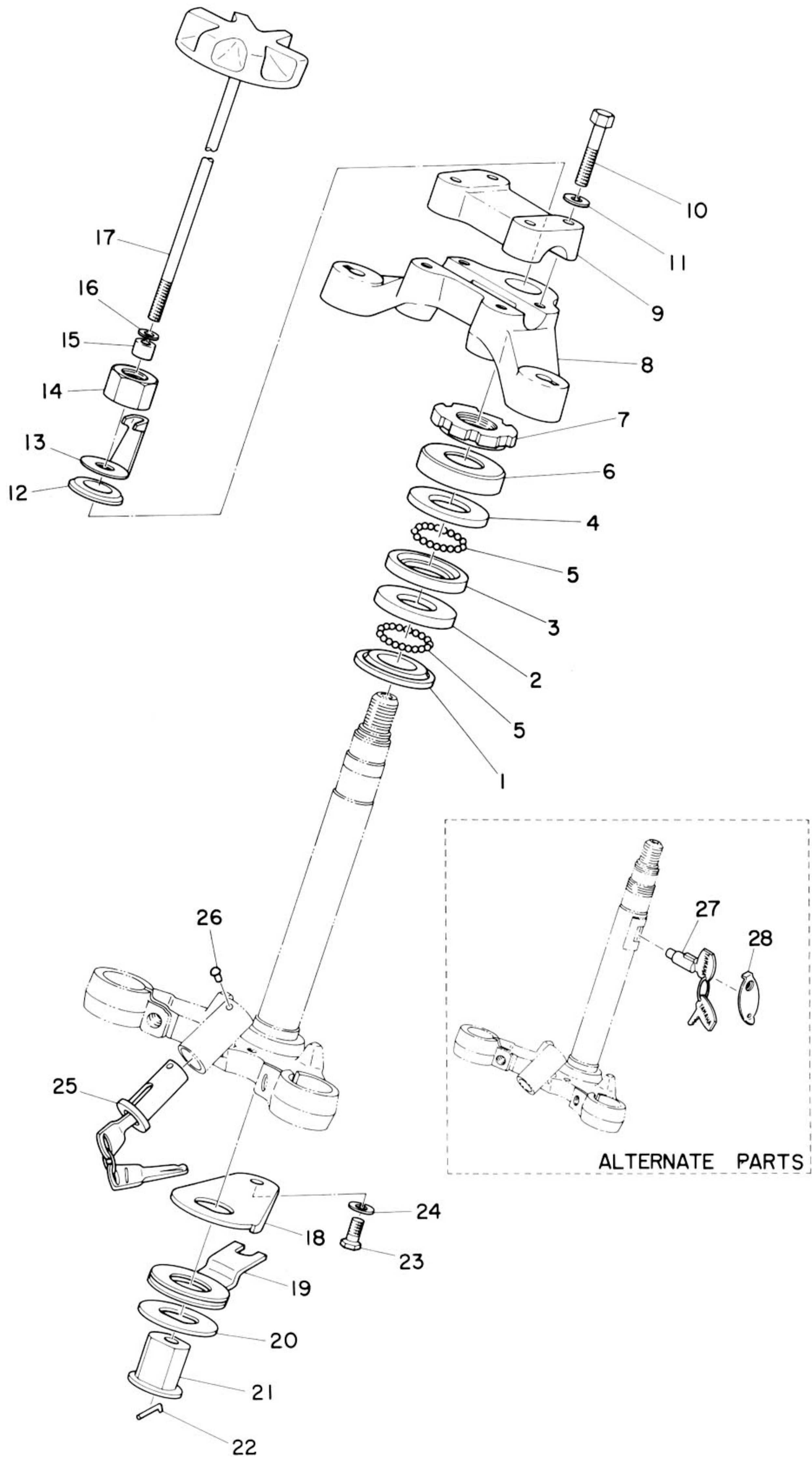
Fig. 21 STEERING



STEERING

Ref. No.	Parts No.	Description	Q'ty	Applicable Machine No.	Remarks
21- 1	156-23411-00	RACE, ball 1	1		
21- 2	156-23412-00	RACE, ball 2	1		
21- 3	183-23412-00	RACE, ball 2	1		
21- 4	183-23411-00	RACE, ball 1	1		
21- 5	93501-04011	BALL (1/4 inch)	38		
21- 6	136-23415-00	COVER, ball race	1		
21- 7	137-23454-00	NUT, fitting	1		
21- 8	337-23435-00-98	CROWN, handle	1		
21- 9	164-23441-00	HOLDER, handle upper	1		
21-10	97203-08035	BOLT	4		
21-11	92901-08100	WASHER, spring	4		
21-12	174-23443-00	WASHER, crown	1		
21-13	246-23428-00	SPRING, damper	1		
21-14	98803-16200	NUT	1		
21-15	141-23427-00	WASHER (6-18-3)	1		
21-16	156-23418-00	WASHER, special (6.5-18-0.6) ...	1		
21-17	307-23419-00	SHAFT, damper	1		
21-18	174-23421-00	PLATE, damper 1	1		
21-19	183-23422-00	PLATE, damper 2	1		
21-20	174-23425-00	DAMPER, friction	1		
21-21	174-23453-00	NUT, fitting	1		
21-22	156-83525-00	CLIP	1		
21-23	91101-06010	BOLT	1		
21-24	92901-06100	WASHER, spring	1		

Fig. 21 STEERING



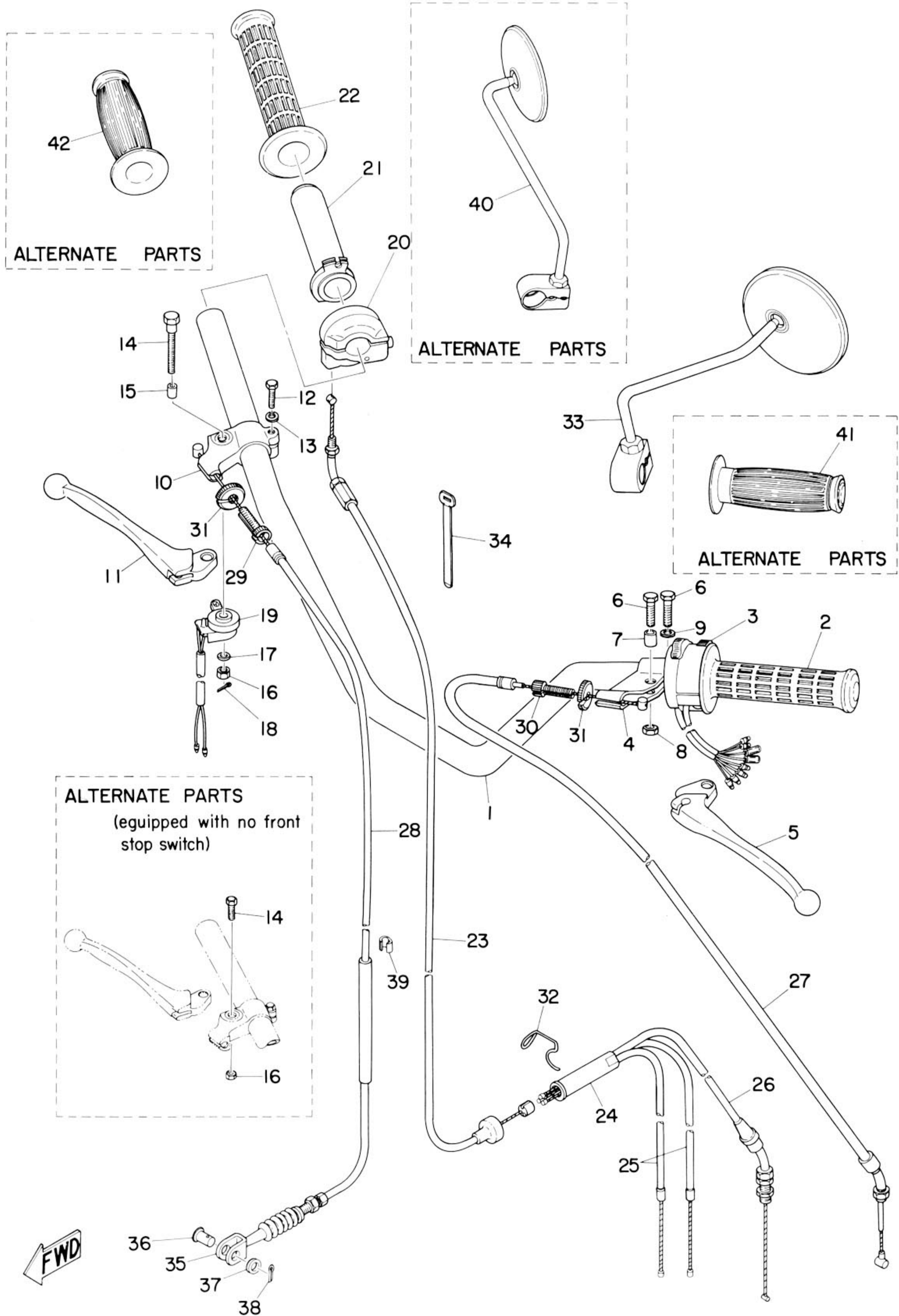
STEERING

Ref. No.	Parts No.	Description	Q'ty	Applicable Machine No.	Remarks
21-25	122-23480-00	STEERING LOCK ASS'Y 1		
21-26	122-23483-00	RIVET, screw 1		

ALTERNATE PARTS

21-27	169-23480-10	STEERING LOCK ASS'Y 1		Destined for W.Germany
21-28	134-23484-10	CAP, handle lock 1		Destined for W.Germany

Fig. 22 HANDLE · WIRE

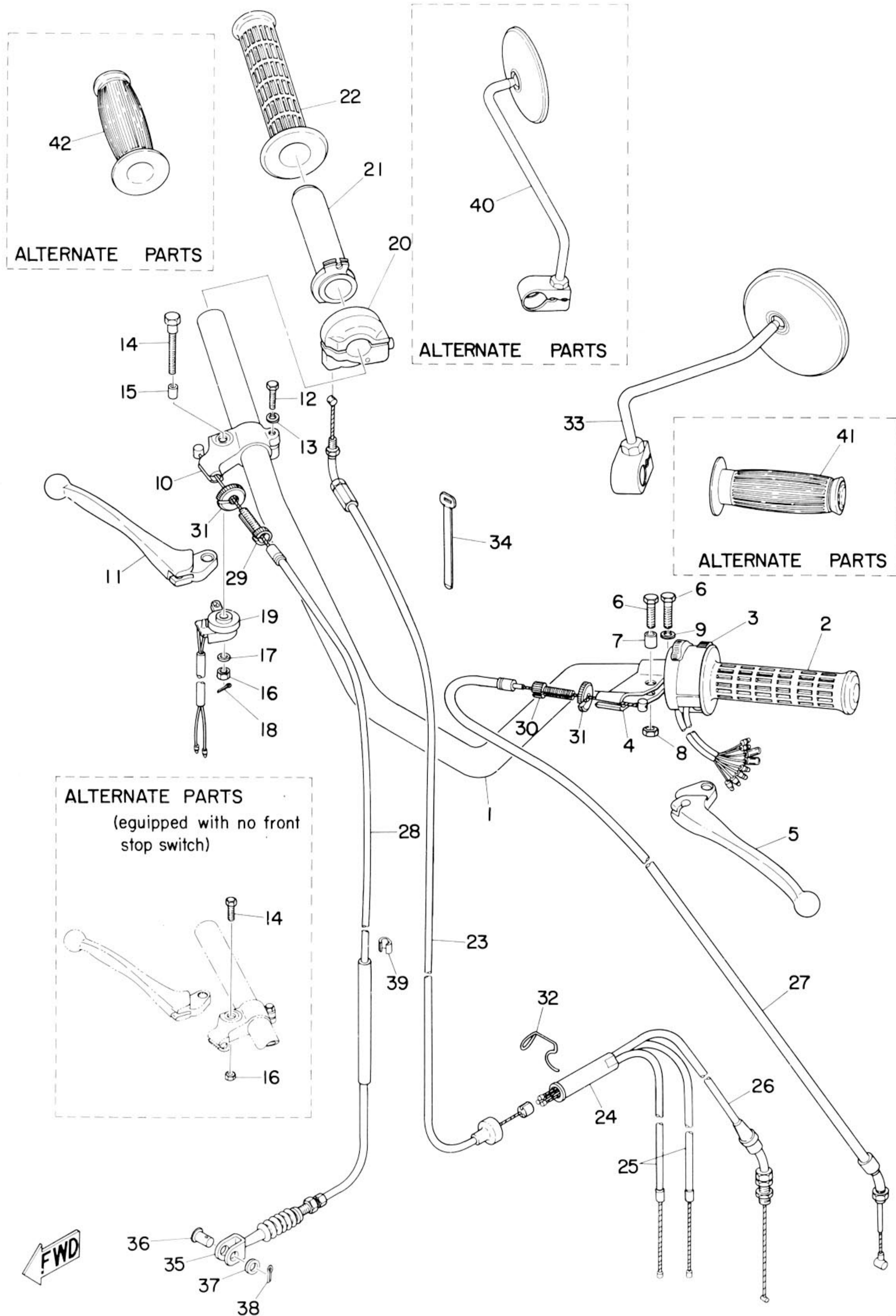


FWD

HANDLE · WIRE

Ref. No.	Parts No.	Description	Q'ty	Applicable Machine No.	Remarks
22- 1	337-26111-00	HANDLE	1		STD
	307-26111-20	HANDLE	1		Bar
	174-26111-00	HANDLE	1		Semi-Up
	212-26111-00	HANDLE	1		Bridge
22- 2	235-26241-10	GRIP, left	1		
22- 3	235-83972-00-94	SWITCH, handle 4	1		
22- 0-1	214-82910-02	LEVER HOLDER ASS'Y, left	1		
22- 4	214-82911-01	. HOLDER, lever left	1		
22- 5	214-83912-00	. LEVER, left	1		
22- 6	91203-06020	. BOLT	2		
22- 7	214-83913-00	. COLLAR, lever	1		
22- 8	98801-06300	. NUT	1		
22- 9	92901-06100	. WASHER, spring	1		
22- 0-2	233-82920-32	LEVER HOLDER ASS'Y, right	1		
22-10	233-82921-31	. HOLDER, lever right	1		
22-11	233-83922-30	. LEVER, right	1		
22-12	91203-06020	. BOLT	1		
22-13	92901-06100	. WASHER, spring	1		
22-14	233-83915-01	. SCREW, lever fitting	1		
	91203-06020	. BOLT	1		Alternate Parts
22-15	214-83913-00	. COLLAR, lever	1		
22-16	98801-05500	. NUT, slotted	1		
	98801-06300	. NUT	1		Alternate Parts
22-17	92901-05200	. WASHER, plain	1		

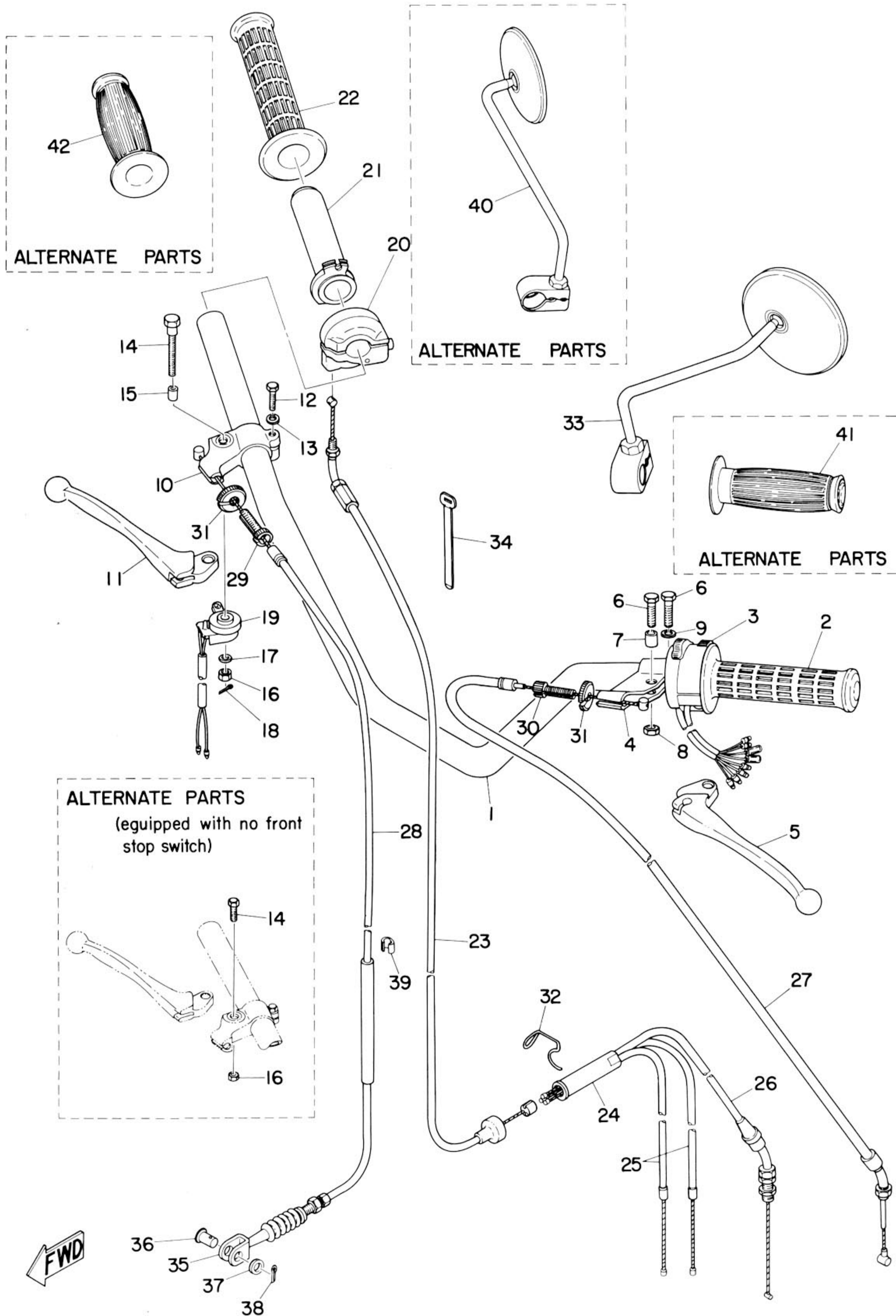
Fig. 22 HANDLE · WIRE



HANDLE · WIRE

Ref. No.	Parts No.	Description	Q'ty	Applicable Machine No.	Remarks
22-18	91401-12015	. PIN, cotter	1		
22-19	233-83980-30	FRONT STOP SWITCH ASS'Y	1		
22-20	337-83976-00	SWITCH, handle 1	1		
22-21	214-26243-00	TUBE, guide	1		
22-22	235-26242-10	GRIP, right	1		
22-23	337-26311-00	WIRE, throttle 1	1		STD,Bridge
	337-26311-20	WIRE, throttle 1	1		Bar
	337-26311-30	WIRE, throttle 1	1		Semi-Up
22-24	156-26261-01	CYLINDER	1		
22-25	337-26312-00	WIRE, throttle 2	2		
22-26	337-26321-00	WIRE, pump	1		
22-27	337-26335-00	WIRE, clutch	1		STD,Bridge
	337-26335-20	WIRE, clutch	1		Bar
	337-26335-30	WIRE, clutch	1		Semi-Up
22-28	337-26341-00	WIRE, brake	1		STD,Bridge
	337-26341-20	WIRE, brake	1		Bar
	337-26341-30	WIRE, brake	1		Smi-Up
22-29	156-26346-00	BOLT, wire adjusting	1		
22-30	168-26337-00	BOLT, wire adjusting	1		
22-31	168-26344-00	NUT, wire adjusting	2		
22-32	307-26278-00	CLIP, wire	1		
22-33	253-26290-10	BACK MIRROR ASS'Y, left	1		
22-34	168-83936-01	BAND, switch cord	2		
22-35	156-26347-00	JOINT, wire	1		

Fig. 22 HANDLE · WIRE



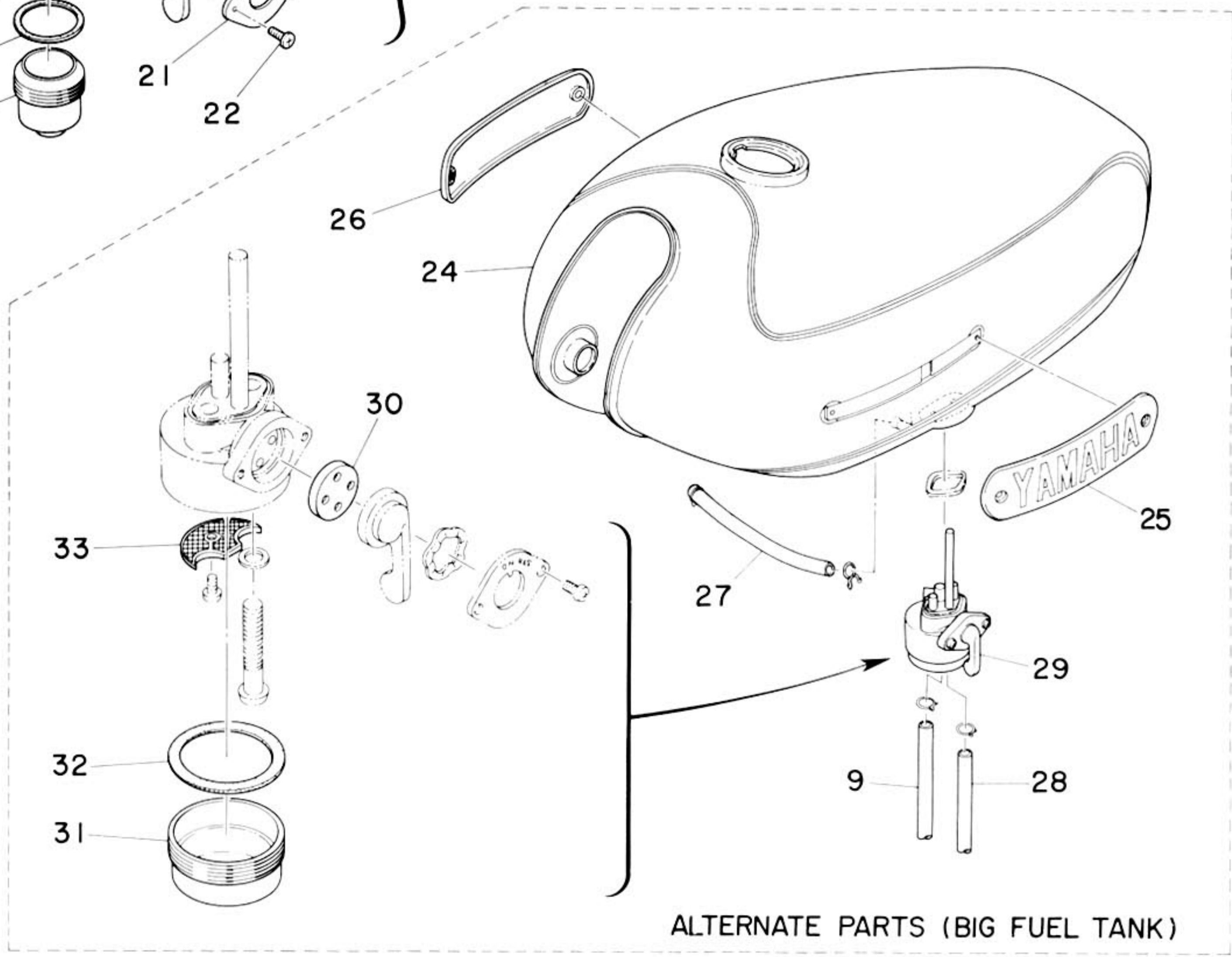
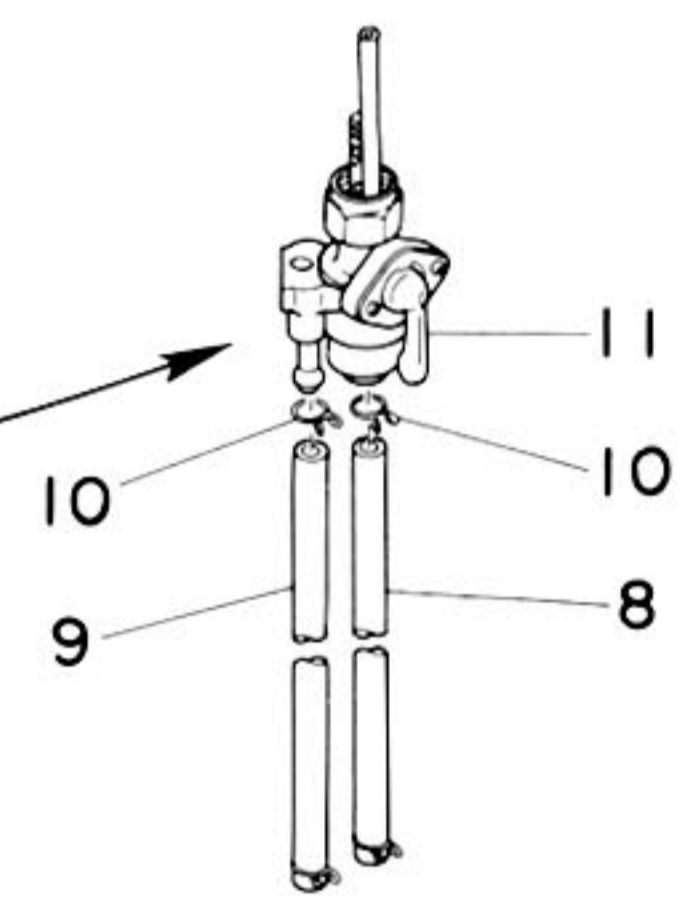
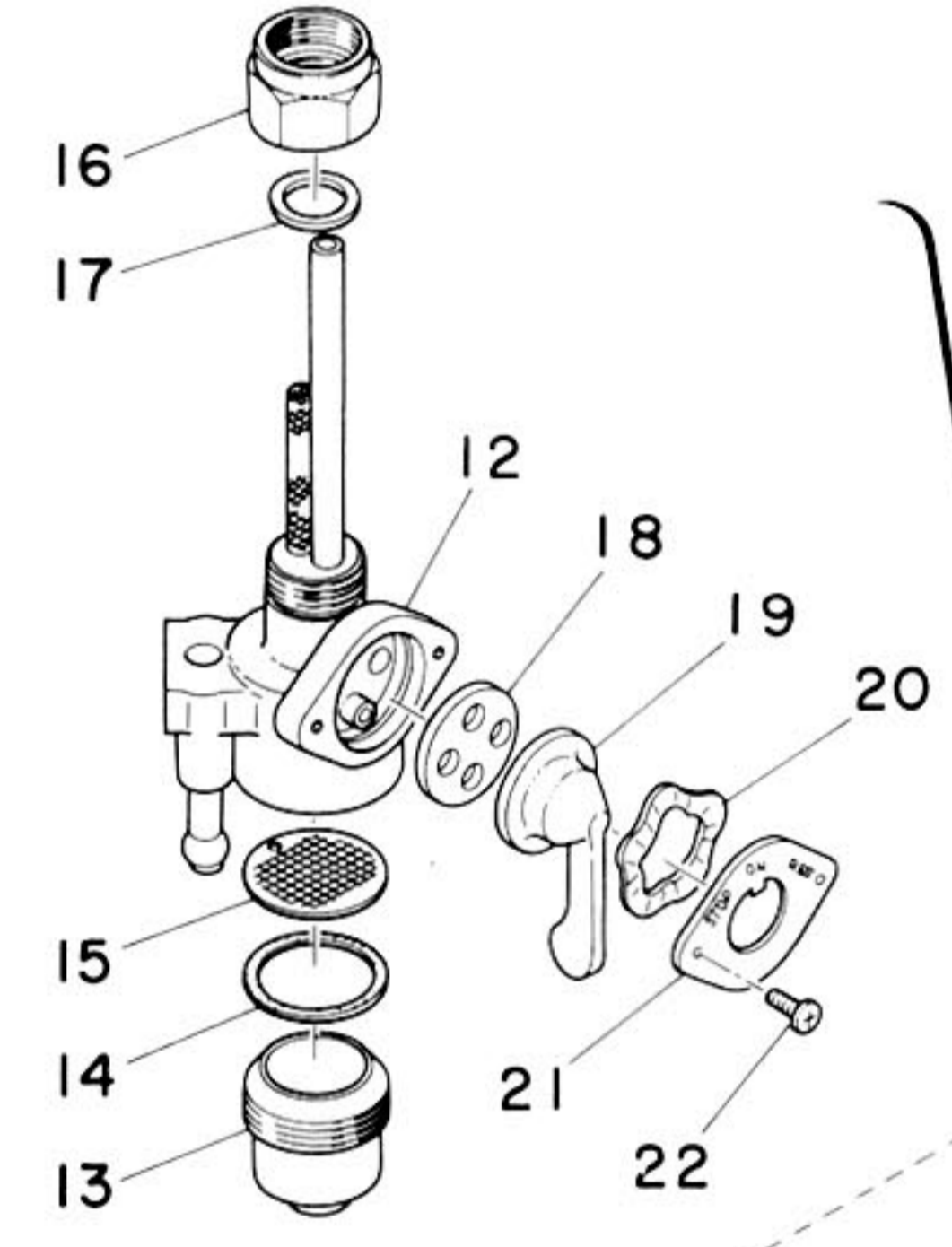
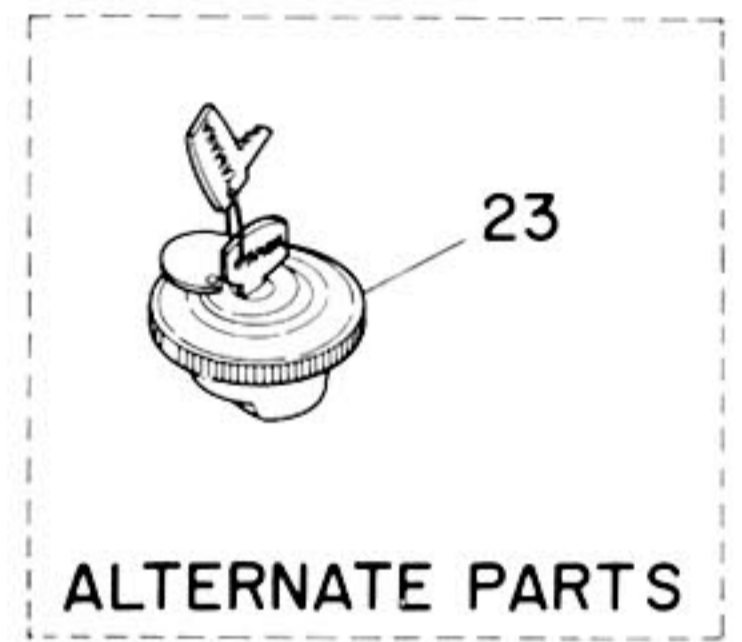
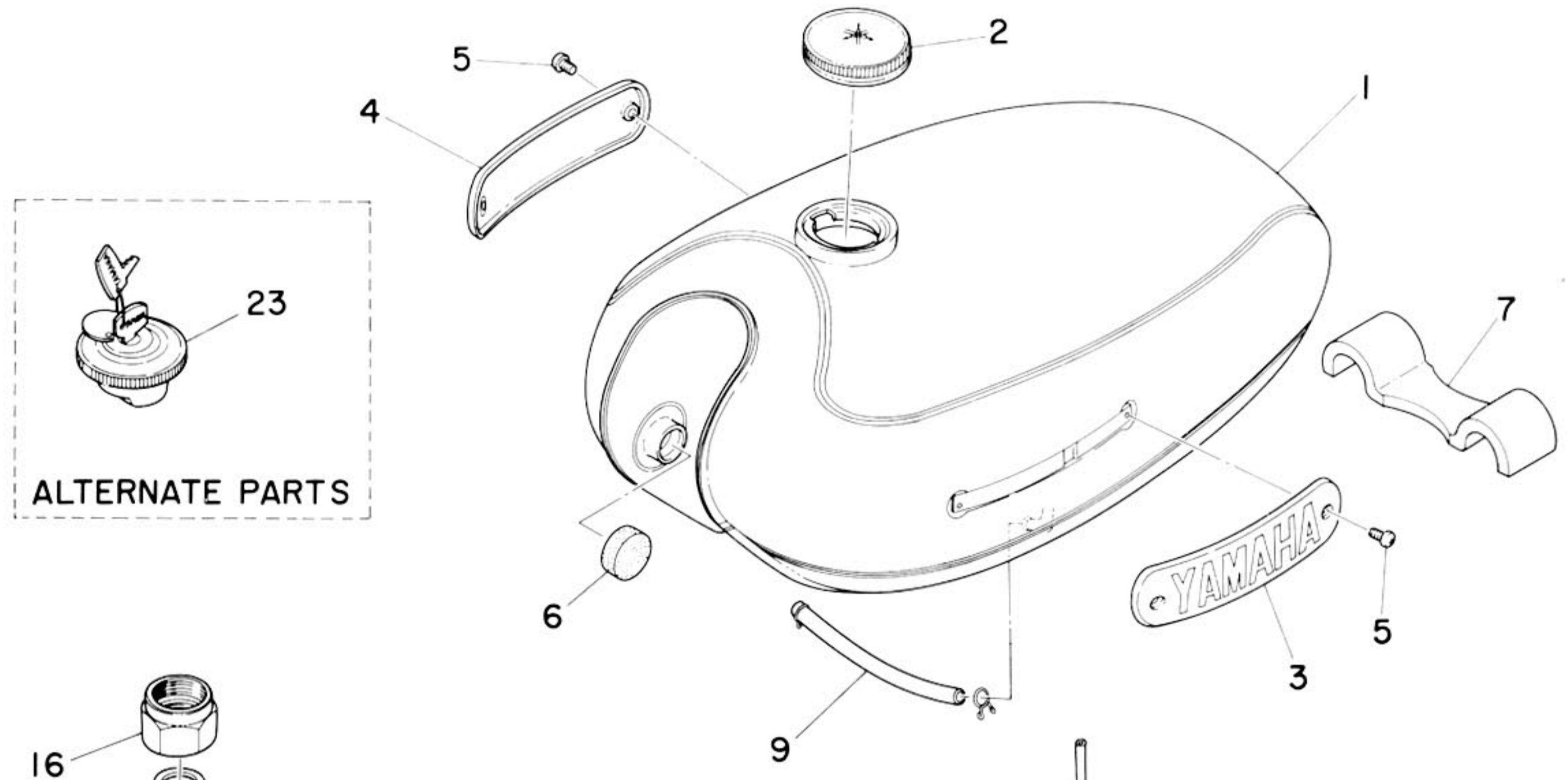
HANDLE · WIRE

Ref. No.	Parts No.	Description	Q'ty	Applicable Machine No.	Remarks
22-36	156-27229-00	PIN, link joint 2	1		
22-37	156-27226-00	WASHER, pedal link	1		
22-38	91401-20012	PIN, cotter	1		
22-39	256-26391-00	CLIP, wire	1		

ALTERNATE PARTS

22-40	253-26290-00	BACK MIRROR ASS'Y, right	1		
22-41	235-26241-00	GRIP, left	1		
22-42	235-26242-00	GRIP, right	1		

Fig. 23 FUEL TANK



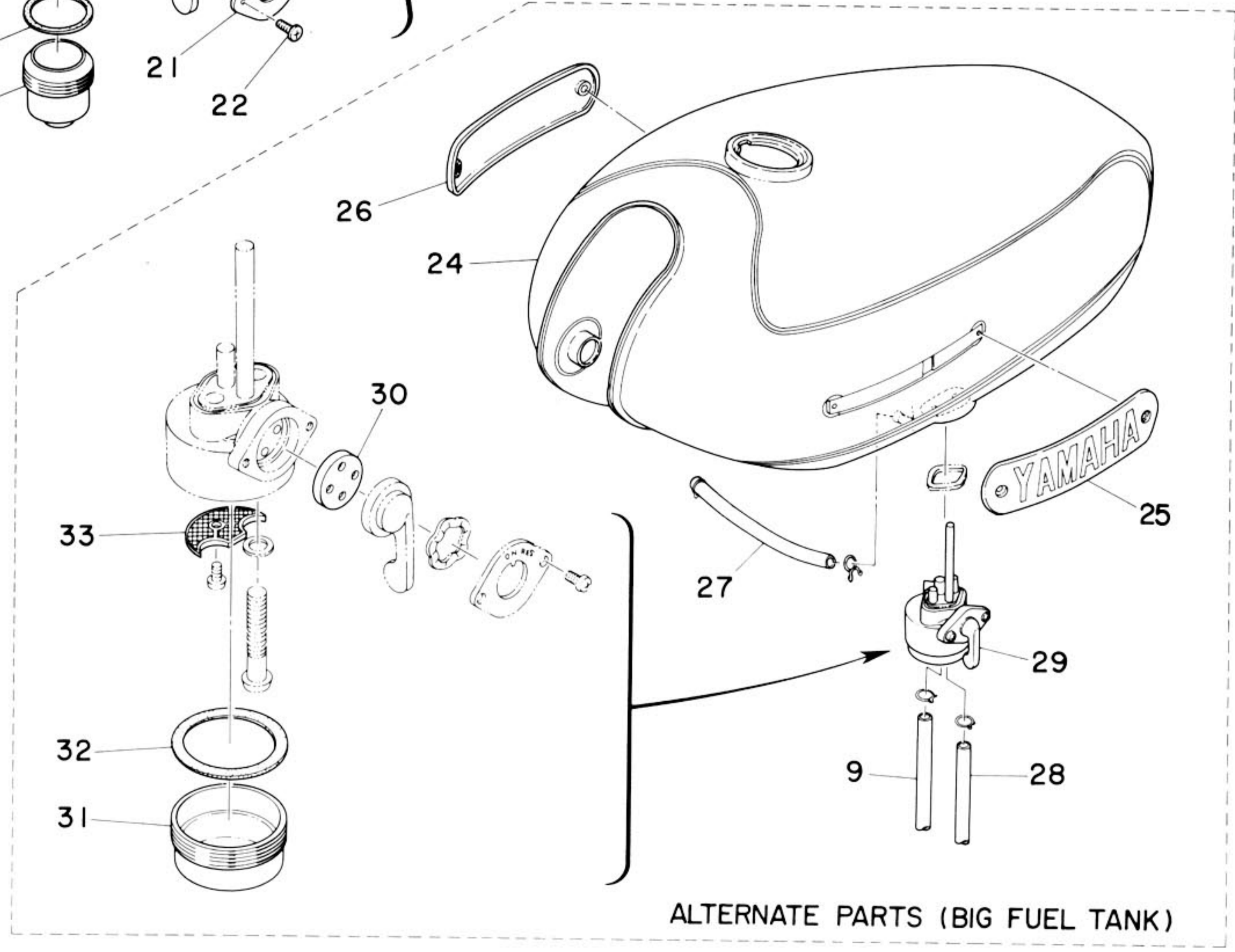
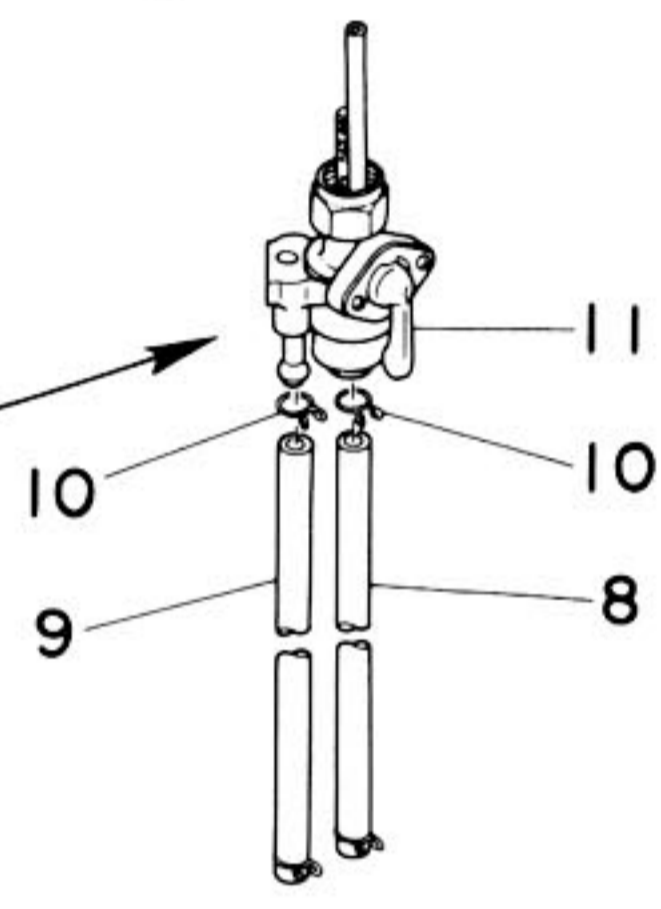
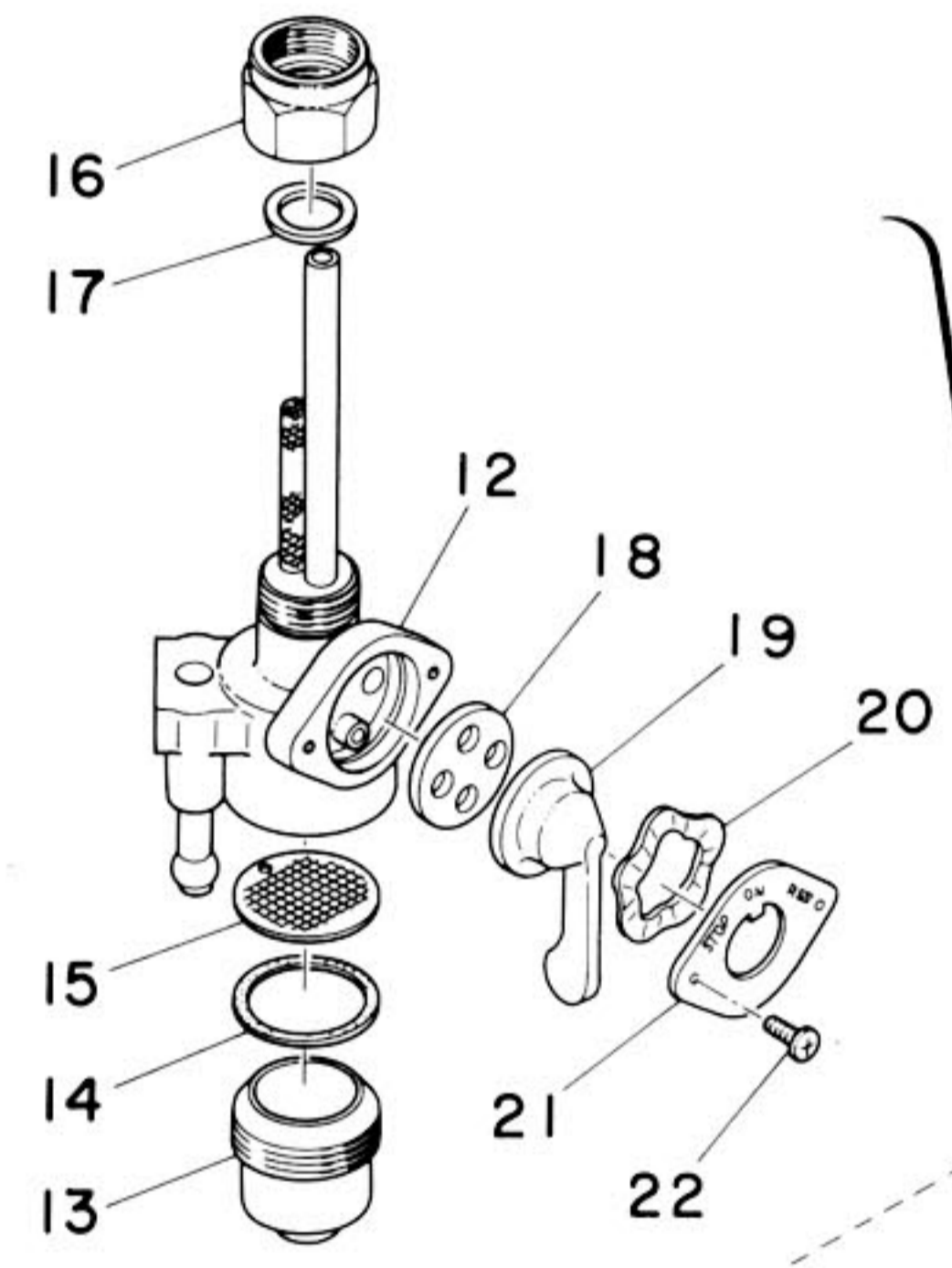
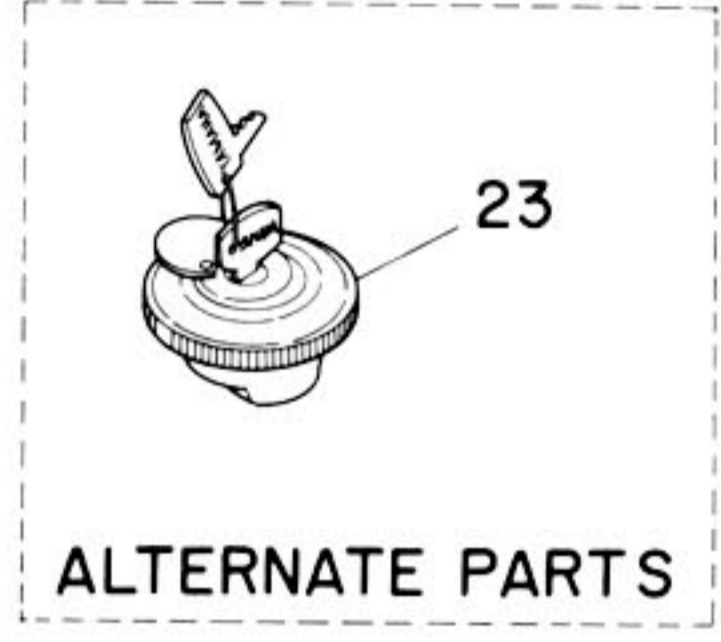
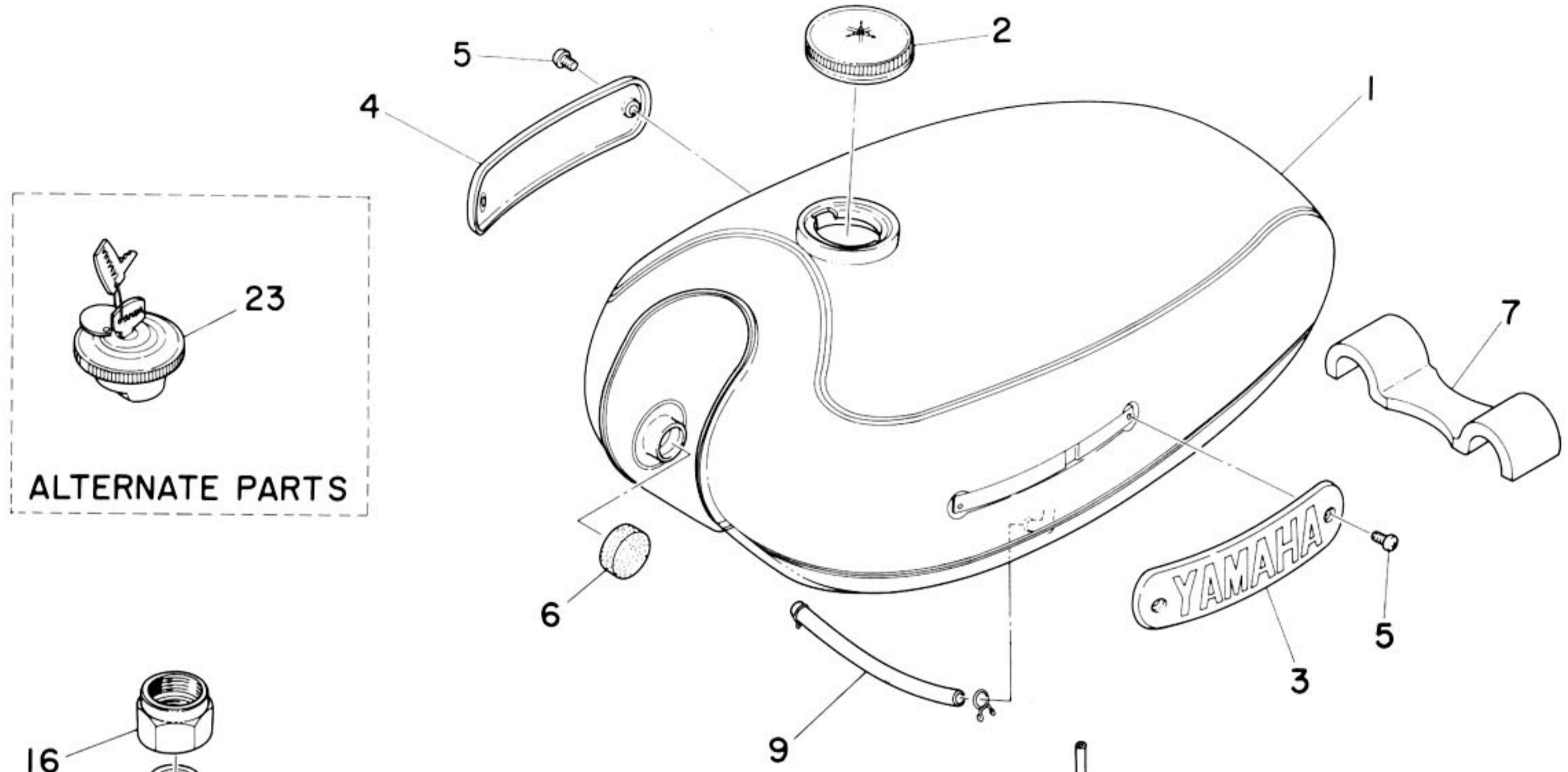
FWD

FUEL TANK

1E109LAND.

Ref. No.	Parts No.	Description	Q'ty	Applicable Machine No.	Remarks
23- 1	307-24110-00-04	FUEL TANK COMP.	1		Metalic Purple
23- 2	122-24610-01	CAP ASS'Y	1		
23- 3	307-24161-00	EMBLEM, fuel tank left	1		
23- 4	307-24162-00	EMBLEM, fuel tank right	1		
23- 5	98501-04008	SCREW, pan head	4		
23- 6	122-24181-00	DAMPER, locating	2		
23- 7	307-24182-00	DAMPER, locating	1		
23- 8	174-24331-00	PIPE, lever (5-120)	1		
23- 9	174-24312-00	PIPE, fuel (5-170)	2		
23-10	101-24356-00	CLIP, pipe	6		
23-11	132-24500-02	FUEL COCK ASS'Y	1		
23-12	132-24511-02	. BODY, fuel cock	1		Not for sale
23-13	132-24521-00	. CUP, filter	1		
23-14	132-24522-00	. GASKET, filter	1		
23-15	132-24515-00	. NET, filter	1		
23-16	132-24531-00	. NUT	1		
23-17	132-24532-00	. GASKET, nut	1		
23-18	137-24523-00	. VALVE	1		
23-19	168-24524-00	. LEVER, cock	1		
23-20	132-24518-00	. WASHER, wave	1		
23-21	132-24525-00	. PLATE, lever fitting	1		
23-22	98501-03006	. SCREW, pan head	2		

Fig. 23 FUEL TANK

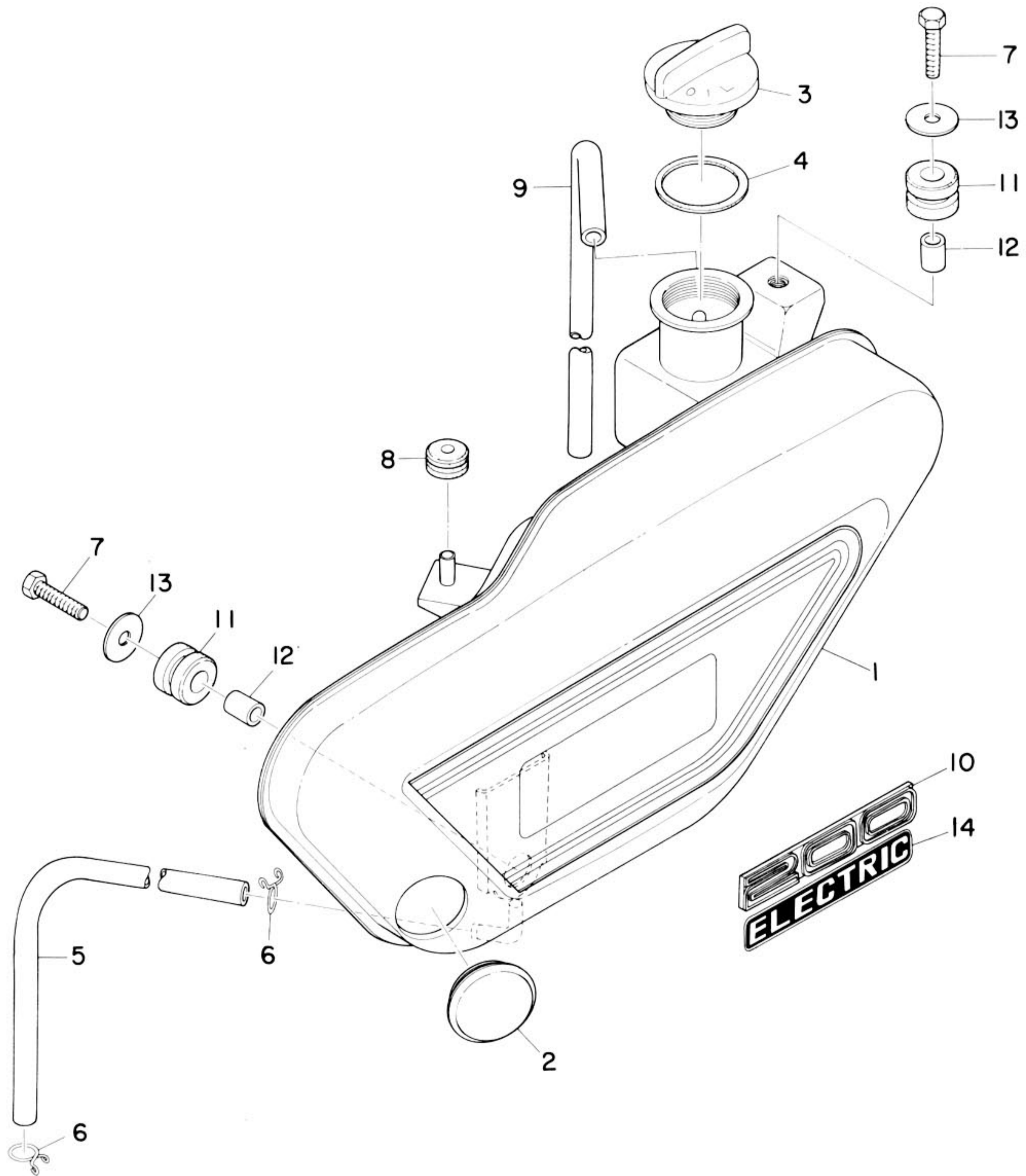


ALTERNATE PARTS (BIG FUEL TANK)

FUEL TANK

Ref. No.	Parts No.	Description	Q'ty	Applicable Machine No.	Remarks
ALTERNATE PARTS					
23-23	127-24650-00	CAP ASS'Y	1		
23-24	337-24110-10-01	FUEL TANK COMP. (Metalic purple)	1		Distined for Europe
23-25	337-24161-10	EMBLEM, fuel tank left	1		Distined for Europe
23-26	337-24162-10	EMBLEM, fuel tank right	1		Distined for Europe
23-27	137-24331-00	PIPE, level (5-155)	1		Distined for Europe
23-28	132-24312-00	PIPE, fuel (5-135)	1		Distined for Europe
23-29	168-24500-01	FUEL COOK ASS'Y	1		Distined for Europe
23-30	132-24523-00	. VALVE	1		Distined for Europe
23-31	168-24521-00	. CUP, filter	1		Distined for Europe
23-32	168-24522-00	. GASKET, filter	1		Distined for Europe
23-33	168-24515-00	. NET, filter	1		Distined for Europe

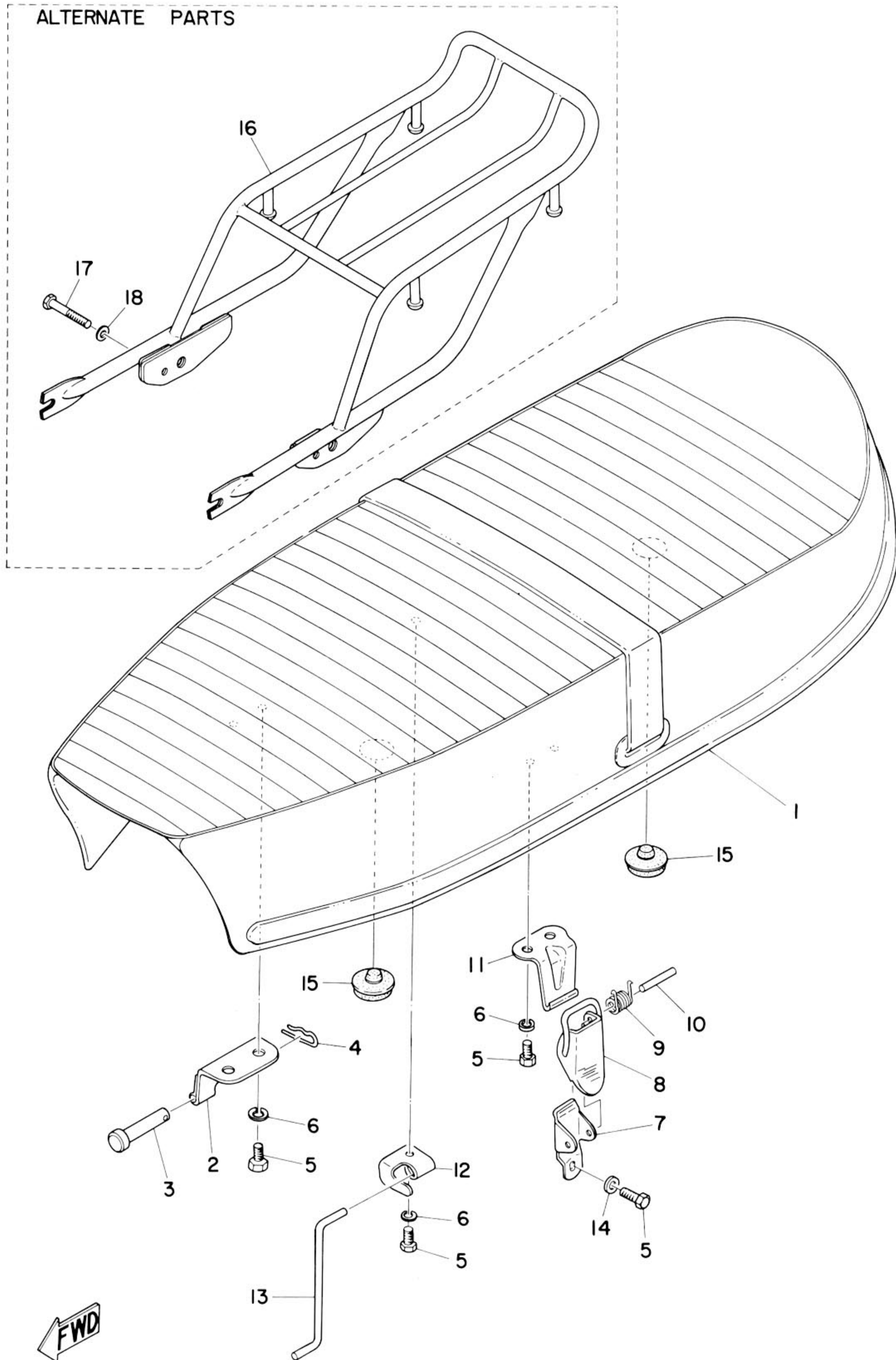
Fig. 24 OIL TANK



OIL TANK

Ref. No.	Parts No.	Description	Q'ty	Applicable Machine No.	Remarks
24- 1	337-21705-00-34	OIL TANK ASS'Y	1		Metalic Purple
24- 2	214-21761-00	. GAUGE, level	1		
24- 3	214-21771-00	CAP, oil tank	1		
24- 4	214-21772-00	GASKET, cap	1		
24- 5	337-24319-00	PIPE, oil (5-420)	1		
24- 6	101-24356-00	CLIP, pipe	2		
24- 7	91201-06025	BOLT	2		
24- 8	214-21746-00	DAMPER, tool box	1		
24- 9	168-82112-00	PIPE, breather (5-580)	1		
24-10	337-21786-00-34	EMBLEM 200	1		
24-11	214-21717-00	DAMPER, battery box 1	2		
24-12	214-21633-00	COLLAR, fender mount	2		
24-13	116-28324-00	WASHER, leg shield 2	2		
24-14	320-21787-00	EMBLEM, electric	1		

Fig. 25 SEAT



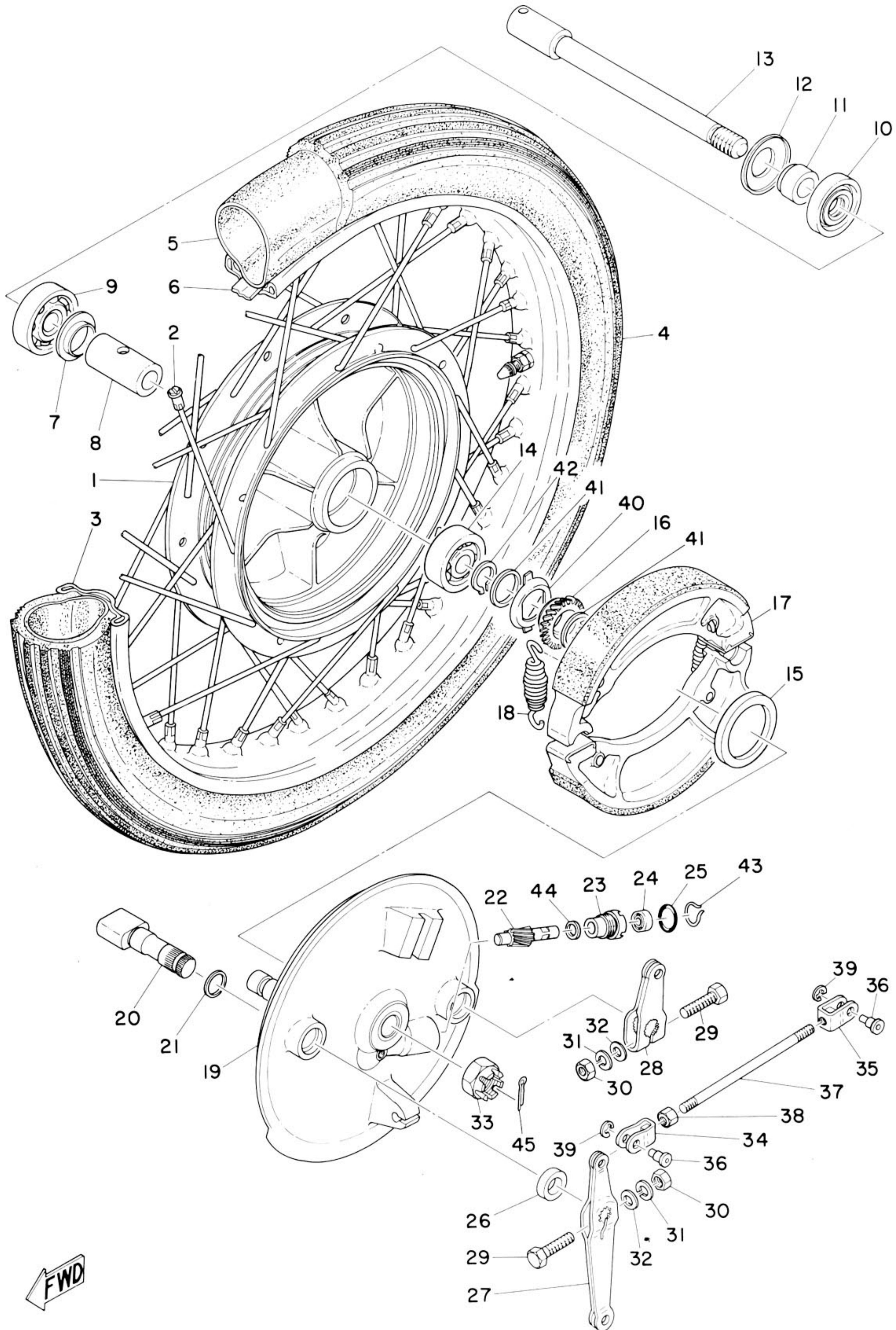
SEAT

Ref. No.	Parts No.	Description	Q'ty	Applicable Machine No.	Remarks
25- 1	337-24730-00	DOUBLE SEAT ASS'Y	1		
	337-24730-10	DOUBLE SEAT ASS'Y	1		Distined for Europe
25- 2	307-24726-00-33	HINGE, seat	2		
25- 3	91501-05055	PIN, clevis	2		
25- 4	156-83525-00	CLIP	2		
25- 5	91201-06012	BOLT	8		
25- 6	92901-06100	WASHER, spring	7		
25- 7	214-24718-00	BRACKET, seat under	1		
25- 8	214-24776-00-33	LEVER, seat	1		
25- 9	214-24758-00	SPRING	1		
25-10	214-24727-00	PIN, seat fitting	1		
25-11	278-24728-00-33	BRACKET, seat	1		
25-12	276-24748-00-33	BRACKET, seat stopper	1		
25-13	337-24768-00	STOPPER, seat	1		
25-14	92901-06200	WASHER, plain	1		
25-15	174-24741-00	PAD, seat	5		

ALTERNATE PARTS

25-16	337-24830-00	SUB CARRIER ASS'Y	1		
25-17	91101-06050	BOLT	2		
25-18	92901-06200	WASHER, plain	2		

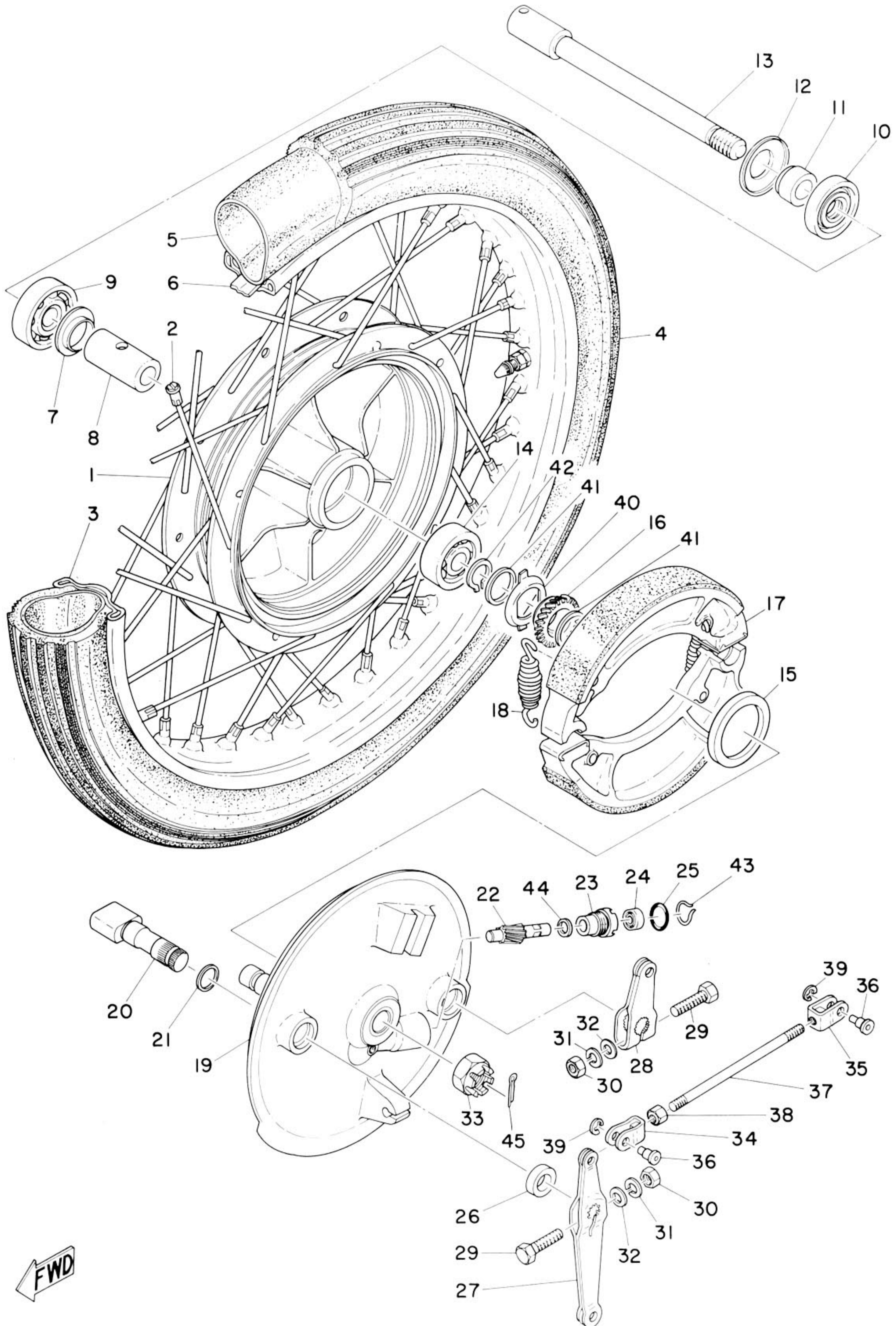
Fig. 26 FRONT WHEEL



FRONT WHEEL

Ref. No.	Parts No.	Description	Q'ty	Applicable Machine No.	Remarks
26- 1	246-25111-00	HUB	1		
26- 2	174-25104-00	SPOKE SET	1s		
26- 3	94416-18039	RIM (1.60A-18)	1		
26- 4	94127-18024	TIRE, front (2.75-18-4PR)	1		
26- 5	94227-18009	TUBE (2.75-18)	1		
26- 6	94327-18007	BAND, rim (2.75-18)	1		
26- 7	148-25115-00	FLANGE, spacer	1		
26- 8	136-25317-00	SPACER, bearing	1		
26- 9	93306-30203	BEARING (6302Z)	1		
26-10	93102-22014	OIL SEAL (SD-22-42-7)	1		
26-11	174-25183-00	COLLAR, wheel shaft	1		
26-12	246-25118-00	COVER, hub dust	1		
26-13	246-25181-00	SHAFT, wheel	1		
26-14	93306-30201	BEARING (6302)	1		
26-15	93105-53013	OIL SEAL (SDD-53-65-7)	1		
26-16	246-25135-00	GEAR, drive	1		
26-17	168-25130-00	BRAKE SHOE COMP.	2		
26-18	246-25333-00	SPRING, return	2		
26-19	337-25121-00	PLATE, brake shoe	1		
26-20	246-25151-00	CAM SHAFT	2		
26-21	148-25353-00	SHIM, cam shaft	2		
26-22	214-25138-00	GEAR, meter	1		
26-23	109-25136-00	BUSHING	1		
26-24	93104-07003	OIL SEAL (SO-7-14-4)	1		

Fig. 26 FRONT WHEEL

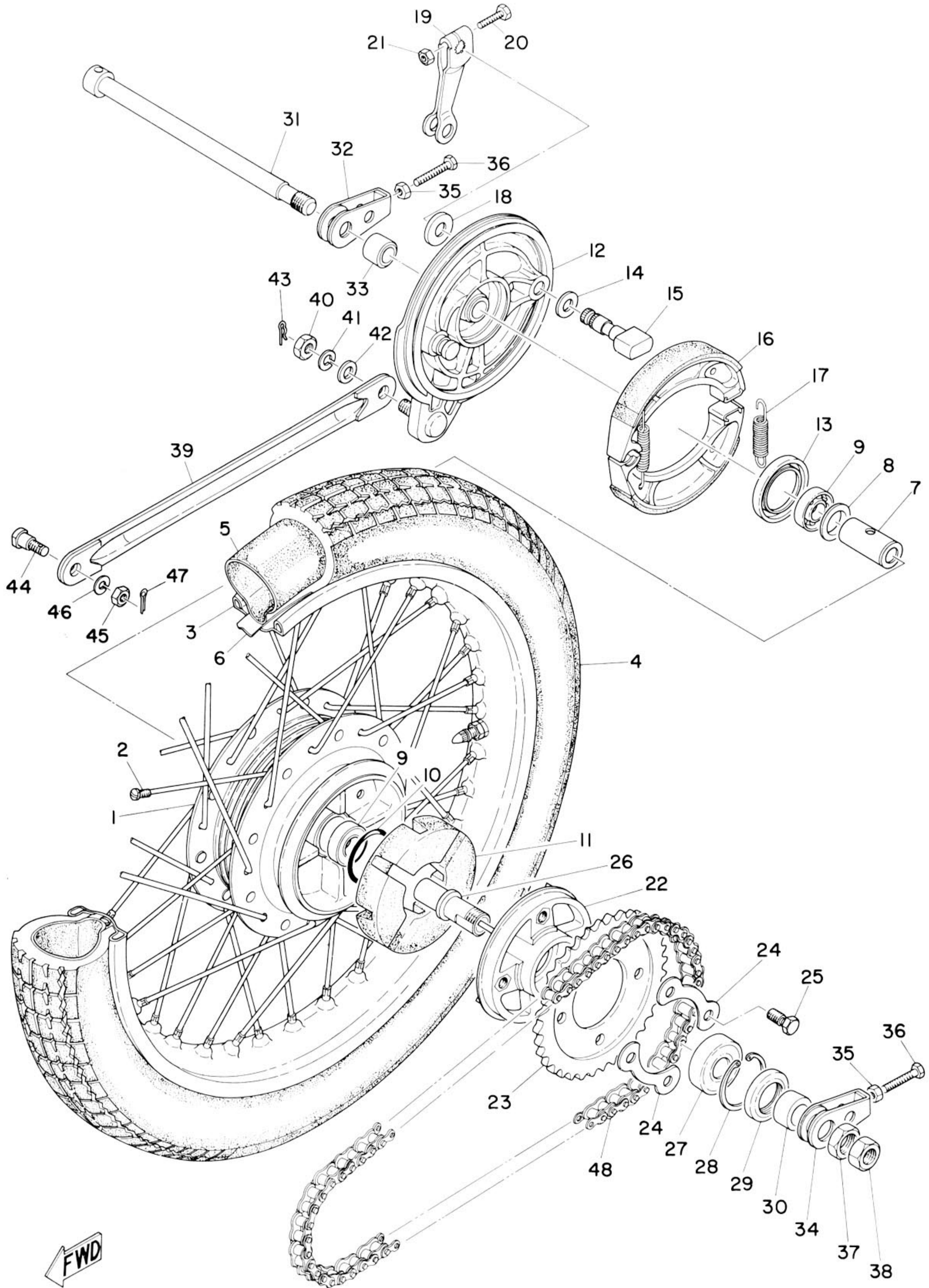


FWD

FRONT WHEEL

Ref. No.	Parts No.	Description	Q'ty	Applicable Machine No.	Remarks
26-25	93210-14104	O-RING (2.4-13.8)	1		
26-26	148-25359-00	SEAL, cam shaft	2		
26-27	337-25155-00	LEVER, cam shaft 1	1		
26-28	337-25156-00	LEVER, cam shaft 2	1		
26-29	91103-06030	BOLT	2		
26-30	92803-06200	NUT	2		
26-31	92901-06100	WASHER, spring	2		
26-32	92901-06200	WASHER, plain	2		
26-33	214-25182-01	NUT, wheel shaft	1		
26-34	152-25163-00	END, rod 1	1		
26-35	152-25164-00	END, rod 2	1		
26-36	152-25165-00	PIN, rod end	2		
26-37	152-25161-00	ROD, connecting	1		
26-38	92803-06300	NUT	1		
26-39	93430-04003	CIRCLIP	2		
26-40	246-25149-00	CLUTCH, meter	1		
26-41	214-25147-00	WASHER, thrust 2	2		
26-42	93410-22014	CIRCLIP	1		
26-43	102-25137-00	RING, stop	1		
26-44	183-25146-00	WASHER, thrust 1	1		
26-45	91401-30030	PIN, cotter	1		

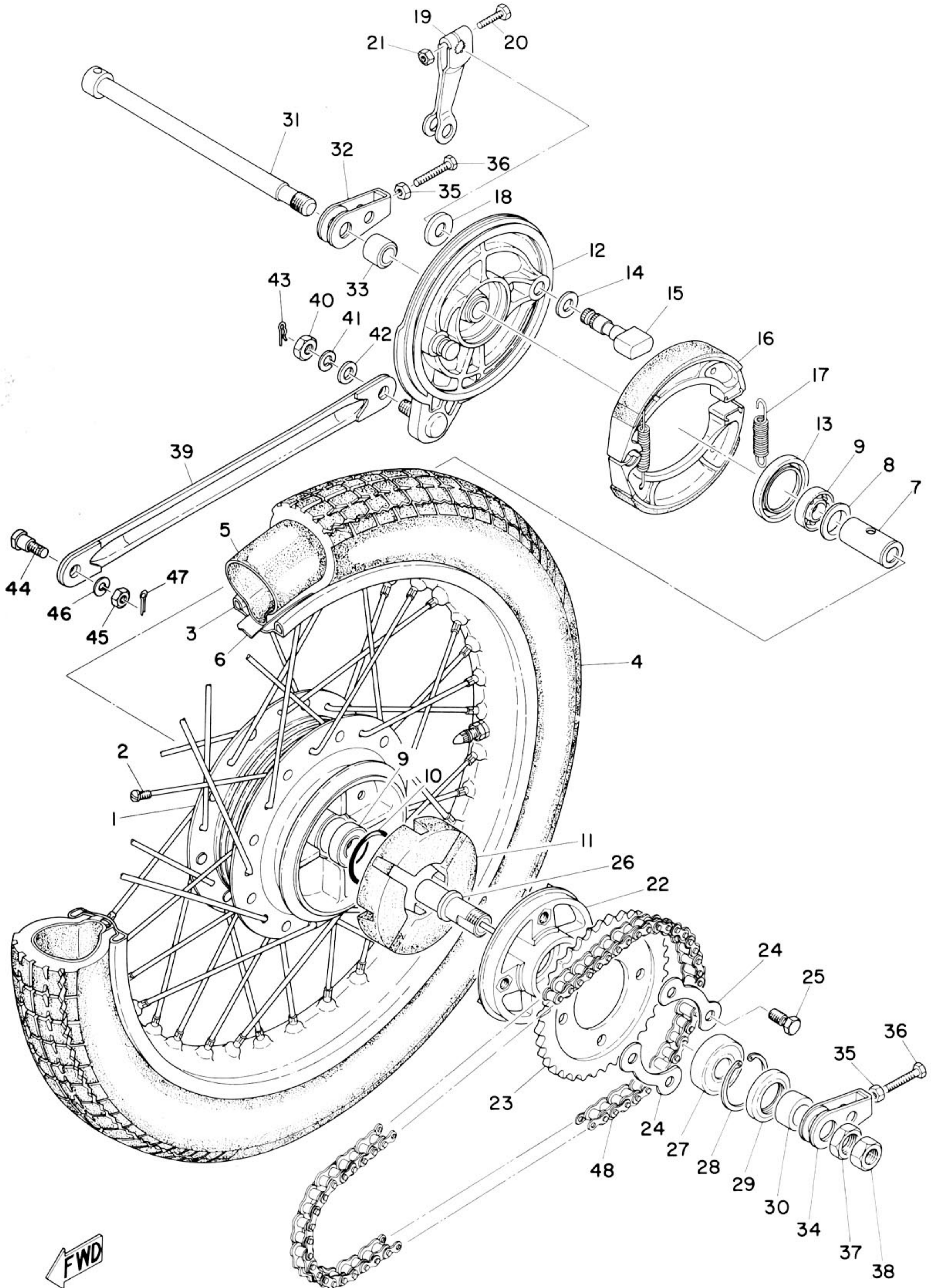
Fig. 27 REAR WHEEL



REAR WHEEL

Ref. No.	Parts No.	Description	Q'ty	Applicable Machine No.	Remarks
27- 1	174-25311-00	HUB	1		
27- 2	141-25304-00	SPOKE SET	1s		
27- 3	94416-18039	RIM (1.60A-18)	1		
27- 4	94130-18065	TIRE (3.00-18-4PR)	1		
27- 5	94230-18012	TUBE (3.00-18)	1		
27- 6	94330-18010	BAND, rim (3.00-18)	1		
27- 7	136-25317-00	SPACER, bearing	1		
27- 8	136-25115-00	FLANGE, spacer	1		
27- 9	93306-20204	BEARING (6202Z)	2		
27-10	93210-43043	O-RING (42.5-3.0)	1		
27-11	174-25634-00	DAMPER	1		
27-12	136-25321-01	PLATE, brake shoe	1		
27-13	93101-42018	OIL SEAL (S-42-56-6)	1		
27-14	136-25153-00	SHIM, cam shaft	1		
27-15	136-25351-01	CAM SHAFT	1		
27-16	174-25330-00	BRAKE SHOE COMP.	2		
27-17	137-25133-00	SPRING, return	2		
27-18	137-25159-00	SEAL, cam shaft (12-17-2)	1		
27-19	337-25355-00	LEVER, cam shaft	1		
27-20	91203-06030	BOLT	1		
27-21	98801-06200	NUT	1		
27-22	174-25366-01	CLUTCH, hub	1		

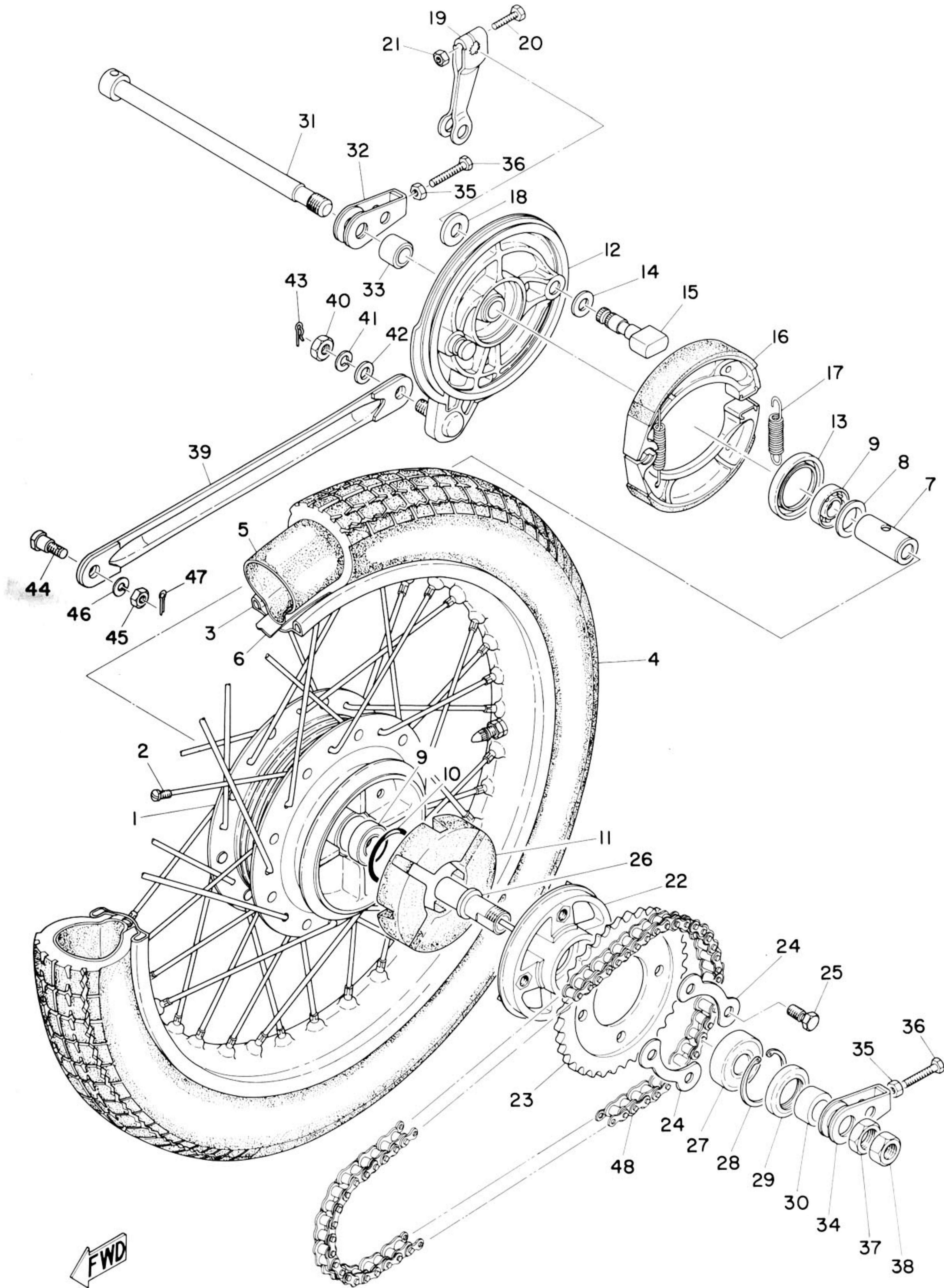
Fig. 27 REAR WHEEL



REAR WHEEL

Ref. No.	Parts No.	Description	Q'ty	Applicable Machine No.	Remarks
27-23	174-25437-20	GEAR, sprocket wheel (37T)	} U.R 1		STD
	174-25439-20	GEAR, sprocket wheel (39T)			
	174-25440-20	GEAR, sprocket wheel (40T)			
27-24	148-25412-00	WASHER, lock	2		
27-25	141-25411-00	BOLT, fitting	4		
27-26	174-25387-00	SHAFT, sprocket wheel	1		
27-27	93306-20404	BEARING (6204Z)	1		
27-28	93420-47008	CIRCLIP (R47)	1		
27-29	93106-30008	OIL SEAL (DD-30-47-5)	1		
27-30	174-25386-01	COLLAR, sprocket shaft	1		
27-31	174-25381-00	SHAFT, wheel	1		
27-32	174-25389-00	PULLER, chain right	1		
27-33	174-25383-00	COLLAR, wheel shaft	1		
27-34	174-25388-00	PULLER, chain left	1		
27-35	98801-06200	NUT	2		
27-36	167-25379-00	BOLT, chain puller	2		
27-37	137-25385-00	NUT, sprocket shaft	1		
27-38	98803-14200	NUT	1		
27-39	256-25371-00	BAR, tension	1		
27-40	92801-10300	NUT	1		
27-41	92901-12100	WASHER, spring	1		
27-42	92901-10200	WASHER, plain	1		
27-43	136-25375-00	CLIP, tension bar	1		
27-44	168-25373-00	BOLT, tension bar	1		

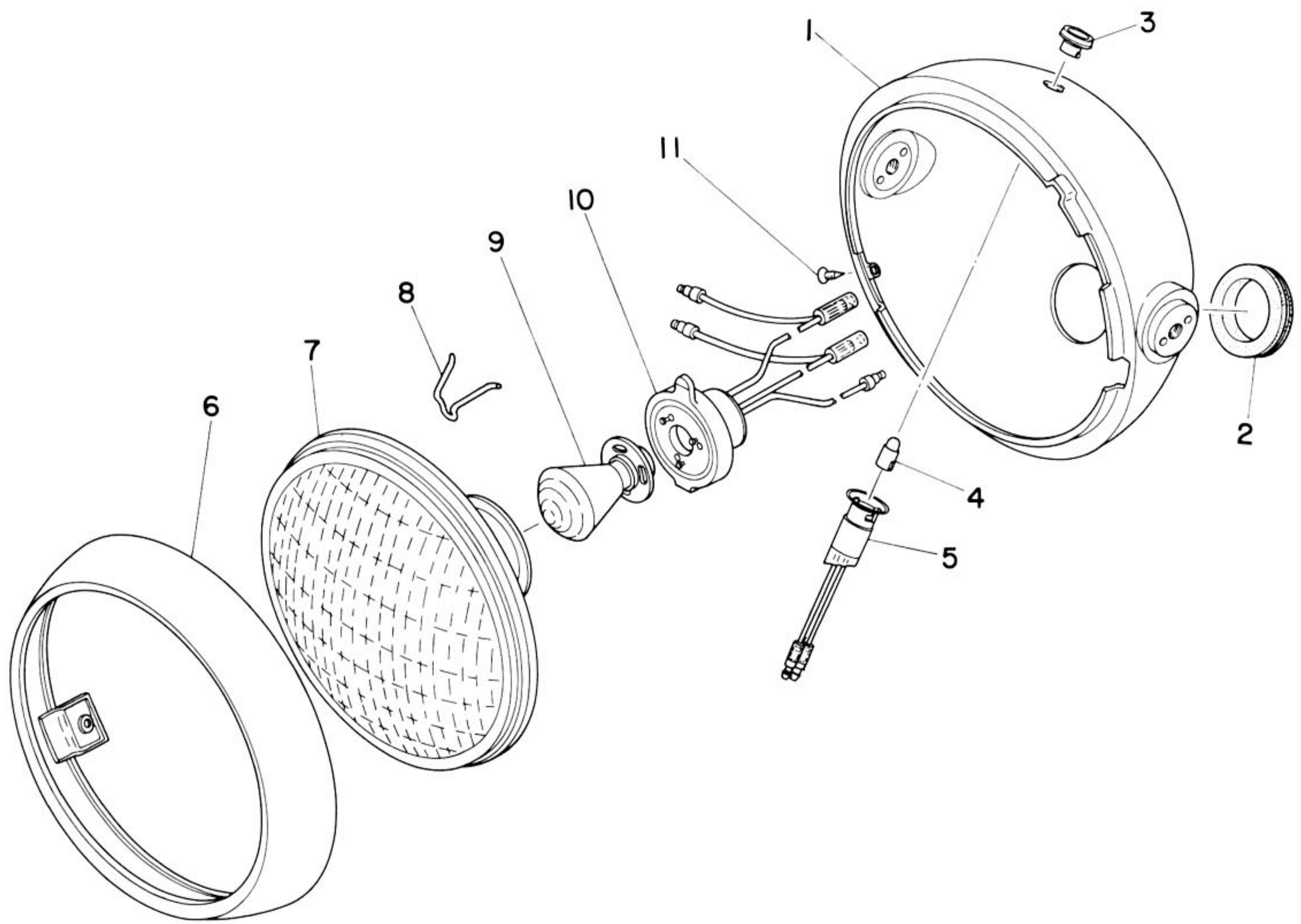
Fig. 27 REAR WHEEL



REAR WHEEL

Ref. No.	Parts No.	Description	Q'ty	Applicable Machine No.	Remarks
27-45	98801-08200	NUT	1		
27-46	92901-08100	WASHER, spring	1		
27-47	91401-20012	PIN, cotter	1		
27-48	94514-28112	CHAIN	1		
27-48-1	94614-28001	. JOINT, chain	1		

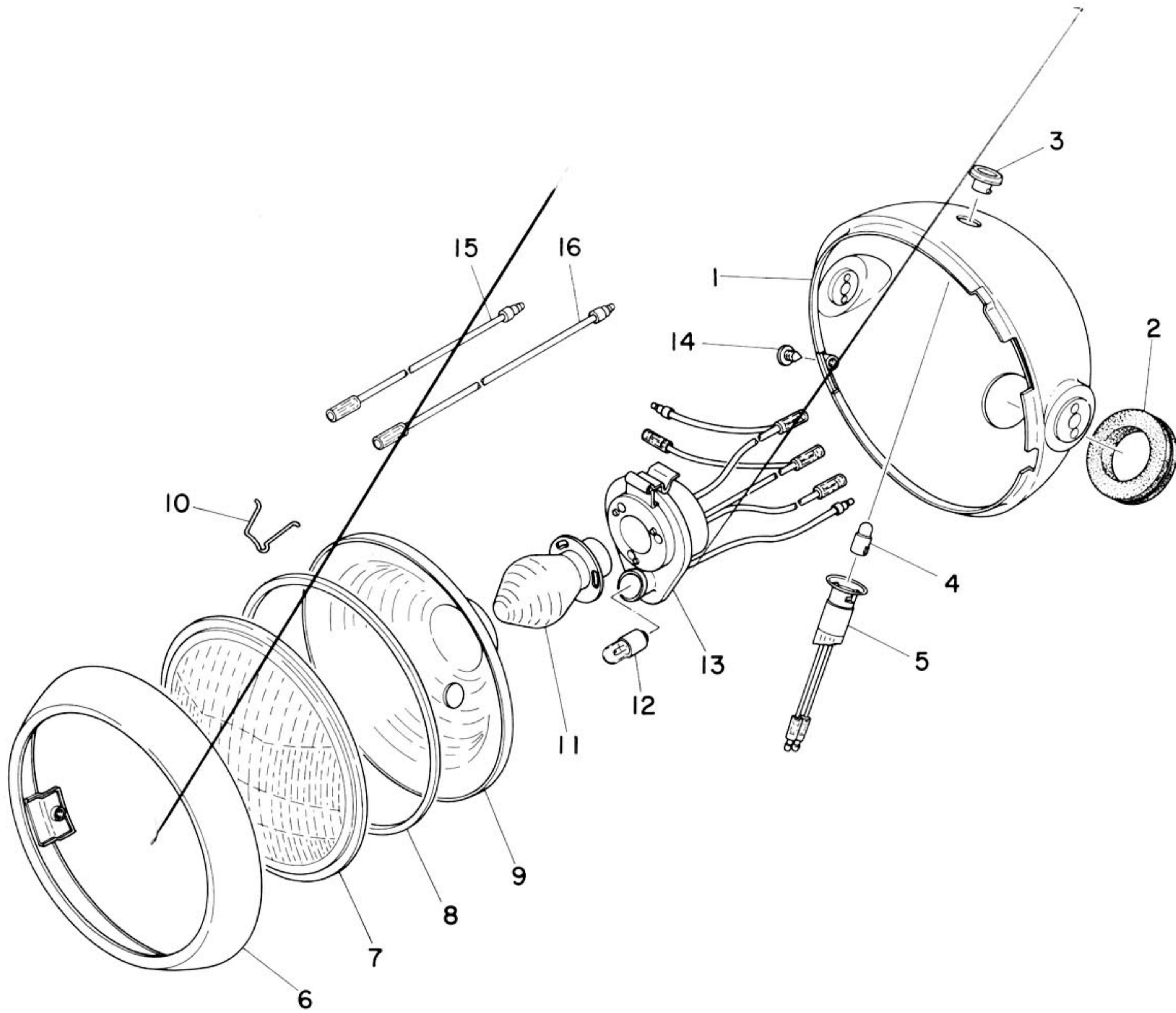
Fig. 28 HEAD LAMP



HEAD LAMP

Ref. No.	Parts No.	Description	Q'ty	Applicable Machine No.	Remarks
28- 1	237-84330-60-34	BODY ASS'Y	1		Metalic Purple
28- 2	214-84153-60	. GROMMET	1		
28- 0-1	256-84301-61	PILOT LAMP ASS'Y	1		
28- 3	256-84357-61	. BODY, pilot lamp	1		
28- 4	256-84347-00	. BULB (12V 2W)	1		
28- 5	256-84350-61	. SOCKET CORD ASS'Y	1		
28- 0-2	237-84310-00	HEAD LAMP UNIT ASS'Y	1		
28- 6	237-84315-00	. RIM, head lamp	1		
28- 7	237-84320-00	. LENS ASS'Y	1		
28- 8	195-84324-00	. SPRING, reflector	4		
28- 9	235-84314-00	. BULB, head lamp (12V 35-25W) ..	1		
28-10	235-84312-60	. SOCKET	1		
28-11	195-84325-00	SCREW, rim fitting	1		

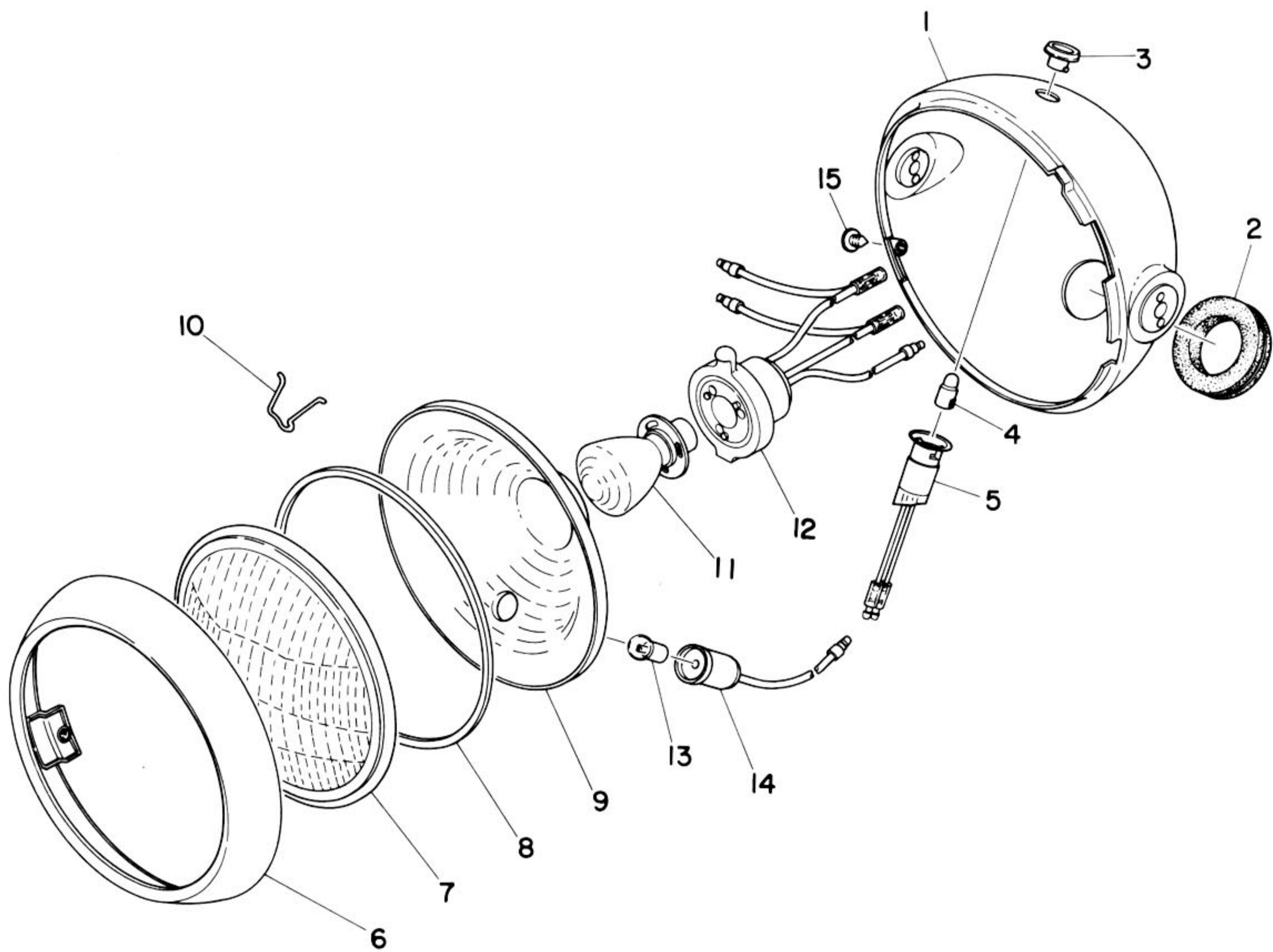
Fig. 29 HEAD LAMP (W,GERMANY)



HEAD LAMP (W,GERMANY)

Ref. No.	Parts No.	Description	Q'ty	Applicable Machine No.	Remarks
29- 1	237-84330-60-34	BODY ASS'Y	1		Metalic Purple
29- 2	214-84153-60	. GROMMET	1		
29- 0-1	256-84301-61	PILOT LAMP ASS'Y	1		
29- 3	256-84357-61	. BODY, pilot lamp	1		
29- 4	256-84347-00	. BULB (12V 2W)	1		
29- 5	256-84350-61	. SOCKET CORD ASS'Y	1		
29- 0-2	252-84310-40	HEAD LAMP UNIT ASS'Y	1		
29- 6	237-84315-00	. RIM, head lamp	1		
29- 7	183-84321-40	. LENS, head lamp	1		
29- 8	136-84322-00	. GASKET, head lamp	1		
29- 9	183-84323-41	. REFLECTOR, head lamp	1		
29-10	195-84324-00	. SPRING, reflector seat	4		
29-11	169-84314-10	. BULB (12V .35-35W)	1		
29-12	169-84346-10	. BULB (12V 4W)	1		
29-13	252-84312-40	. SOCKET CORD ASS'Y	1		
29-14	195-84325-00	SCREW, rim fitting	1		
29-15	337-84348-00	WIRE, lead 1	1		
29-16	337-84349-00	WIRE, lead 2	1		

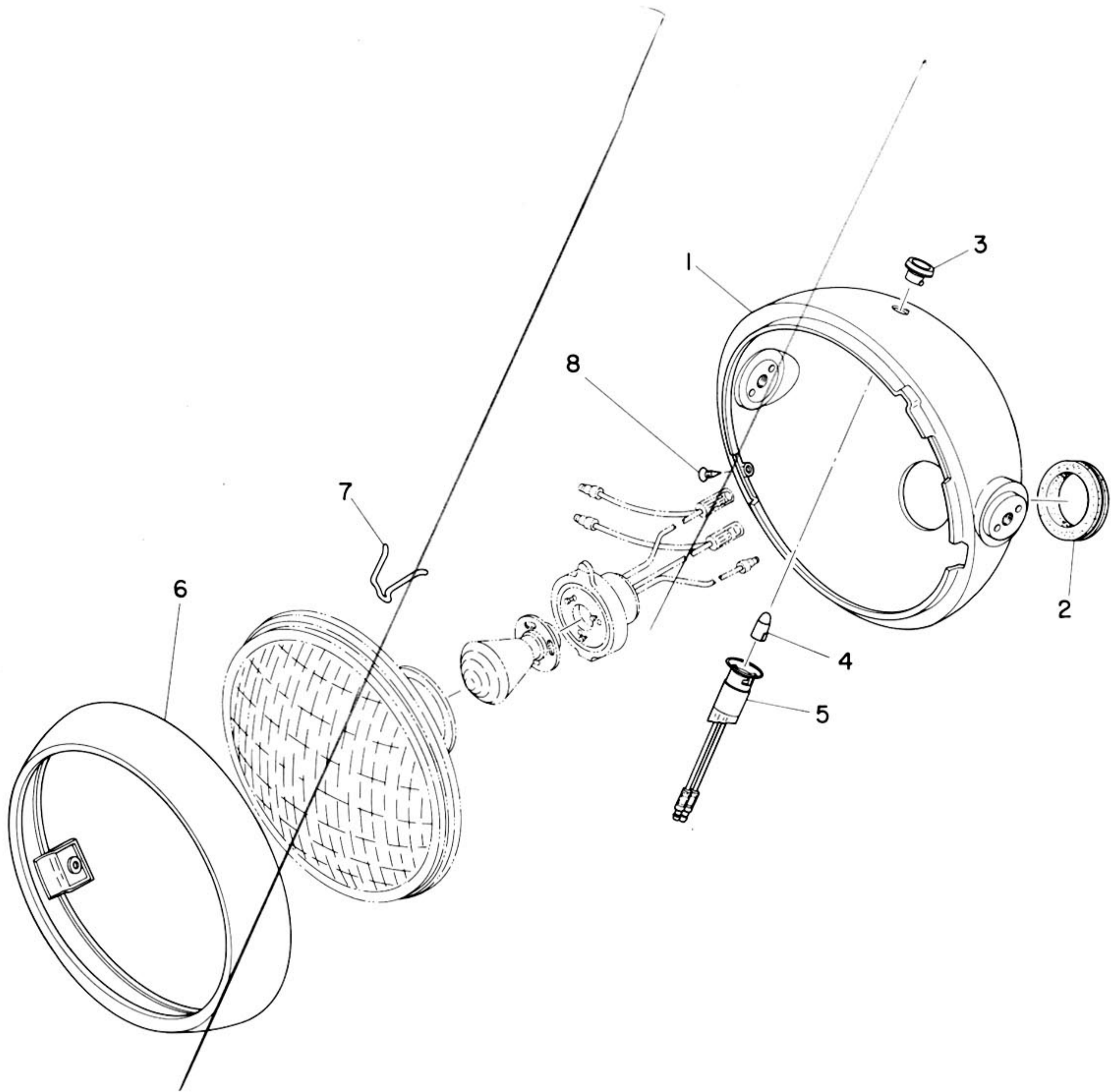
Fig. 30 HEAD LAMP (ENGLAND)



HEAD LAMP (ENGLAND)

Ref. No.	Parts No.	Description	Q'ty	Applicable Machine No.	Remarks
30- 1	237-84330-60-34	BODY ASS'Y	1		Metalic Purple
30- 2	214-84153-60	. GROMMET	1		
30- 0-1	256-84301-61	PILOT LAMP ASS'Y	1		
30- 3	256-84357-61	. BODY, pilot lamp	1		
30- 4	256-84347-00	. BULB (12V 2W)	1		
30- 5	256-84350-61	. SOCKET CORD ASS'Y	1		
30- 0-2	237-84310-30	HEAD LAMP UNIT ASS'Y	1		
30- 6	237-84315-30	. RIM, head lamp	1		
30- 7	136-84321-00	. LENS, head lamp	1		
30- 8	136-84322-00	. GASKET, head lamp	1		
30- 9	137-84323-30	. REFLECTOR	1		
30-10	195-84324-00	. SPRING, reflector set	4		
30-11	235-84314-00	. BULB (12V 35-25W)	1		
30-12	237-84312-30	. SOCKET ASS'Y	1		
30-13	123-83516-20	. BULB (12V 3W)	1		
30-14	183-84345-30	. SOCKET ASS'Y	1		
30-15	195-84325-00	SCRE W, rim fitting	1		

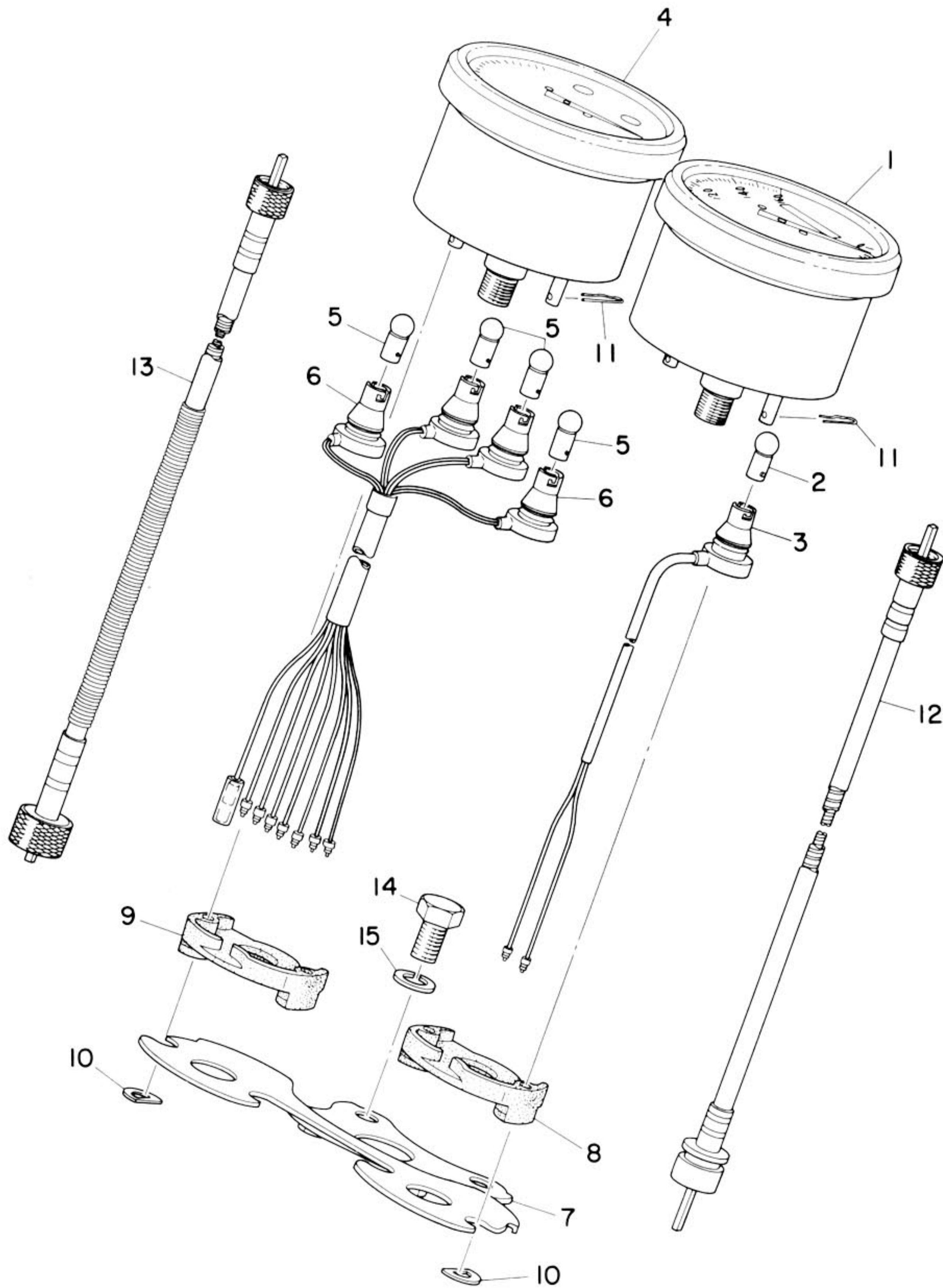
Fig. 31 HEAD LAMP (FRANCE)



HEAD LAMP (FRANCE)

Ref. No.	Parts No.	Description	Q'ty	Applicable Machine No.	Remarks
31- 1	237-84330-60-34	BODY ASS'Y	1		Metalic Purple
31- 2	214-84153-60	. GROMMET	1		
31- 0-1	256-84301-61	PILOT LAMP ASS'Y	1		
31- 3	256-84357-61	. BODY, pilot lamp	1		
31- 4	256-84347-00	. BULB (12V 2W)	1		
31- 5	256-84350-61	. SOCKET CORD ASS'Y	1		
31- 6	237-84315-00	RIM, head lamp	1		
31- 7	195-84324-00	SPRING, reflector set	4		
31- 8	195-84325-00	SCREW, rim fitting	1		

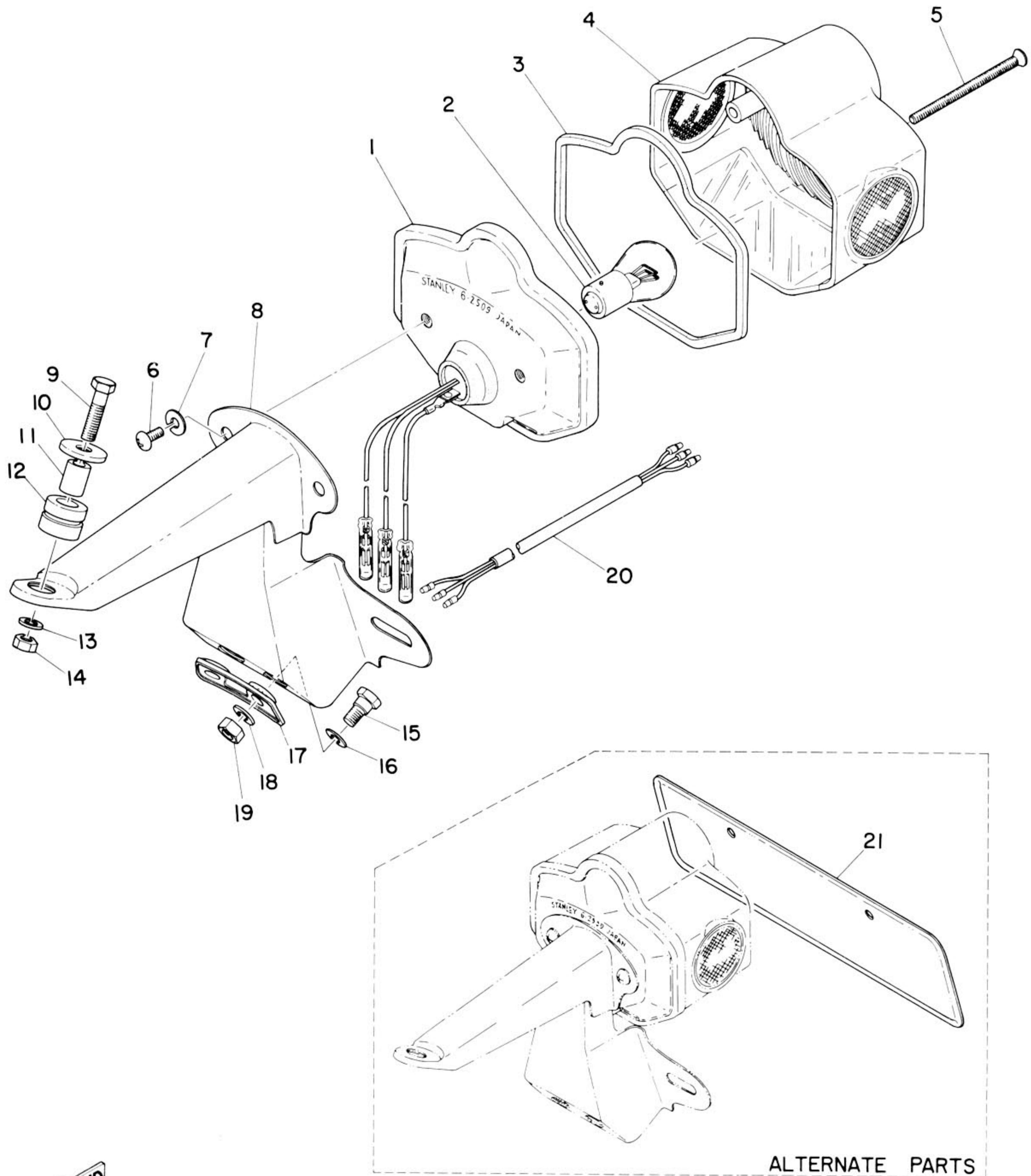
Fig. 32 SPEEDOMETER · TACHOMETER



SPEEDOMETER · TACHOMETER

Ref. No.	Parts No.	Description	Q'ty	Applicable Machine No.	Remarks
32- 1	307-83510-40	SPEEDOMETER ASS'Y	1		Mile/h
	307-83510-20	SPEEDOMETER ASS'Y	1		Km/h
32- 2	123-83516-20	. BULB (12V 3W)	1		
32- 3	235-83536-21	. SOCKET, meter	1		
32- 4	337-83540-00	TACHOMETER ASS'Y	1		
32- 5	123-83516-20	. BULB (12V 3W)	4		
32- 6	337-83520-00	. SOCKET ASS'Y	1		
32- 7	337-83519-00-33	BRACKET, meter	1		
32- 8	214-83523-00	DAMPER	1		
32- 9	237-83523-00	DAMPER	1		
32-10	214-83524-00	WASHER, special	4		
32-11	156-83525-00	CLIP	4		
32-12	246-83550-00	SPEEDOMETER CABLE ASS'Y ...	1		
32-13	307-83560-00	TACHOMETER CABLE ASS'Y	1		
32-14	97201-08015	BOLT	2		
32-15	92901-08100	WASHER, spring	2		

Fig. 33 TAIL LAMP 1



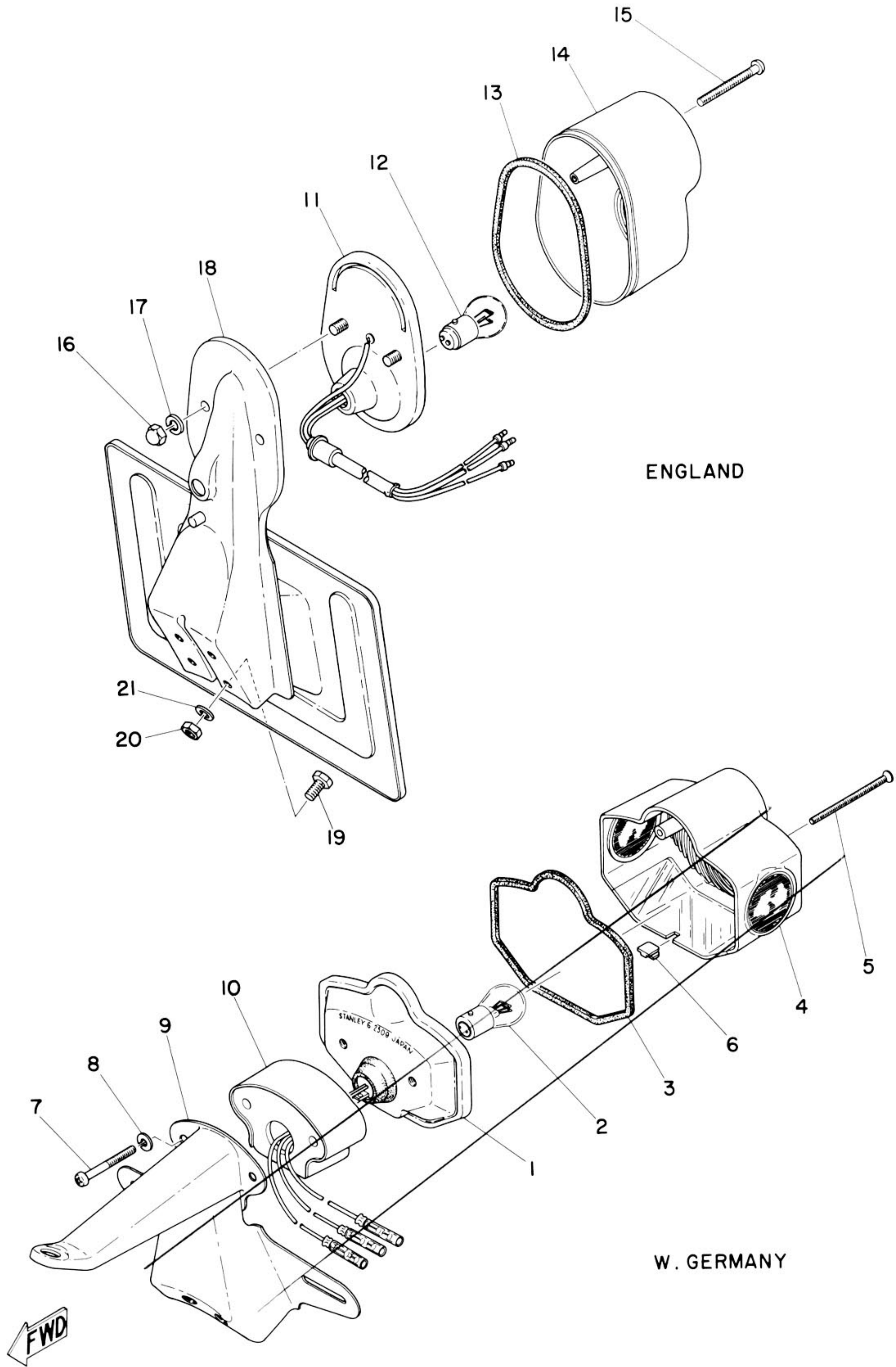
TAIL LAMP 1

Ref. No.	Parts No.	Description	Q'ty	Applicable Machine No.	Remarks
33- 0-1	256-84710-00	TAIL LAMP UNIT ASS'Y	1		
33- 1	256-84711-60	. BASE, tail lamp	1		
33- 2	137-84714-60	. BULB, tail lamp (12V 23/8W)	1		
33- 3	256-84723-60	. GASKET, tail lens	1		
33- 4	256-84721-00	. LENS, tail lamp	1		
33- 5	256-84724-60	. SCREW, lens fitting	2		
33- 6	98503-06010	. SCREW, pan head	2		
33- 7	92901-06100	. WASHER, spring	2		
33- 8	256-84751-60-35	BRACKET, license	1		
33- 9	91203-06020	BOLT	1		
33-10	102-28323-00	WASHER, leg shield	1		
33-11	214-21633-00	COLLAR, fender mount 1	1		
33-12	214-21717-00	DAMPER, battery box 1	1		
33-13	92901-06100	WASHER, spring	1		
33-14	98801-06200	NUT	1		
33-15	337-84752-00	BOLT, fitting	2		
33-16	92901-08200	WASHER, plain	2		
33-17	337-84753-00	DAMPER, license bracket	1		
33-18	92901-06100	WASHER, spring	2		
33-19	98801-06200	NUT	2		
33-20	214-84517-00	CORD, tail lamp	1		

ALTERNATE PARTS

33-21	202-21681-00-33	PLATE, license rear	1		
-------	-----------------	---------------------	---	--	--

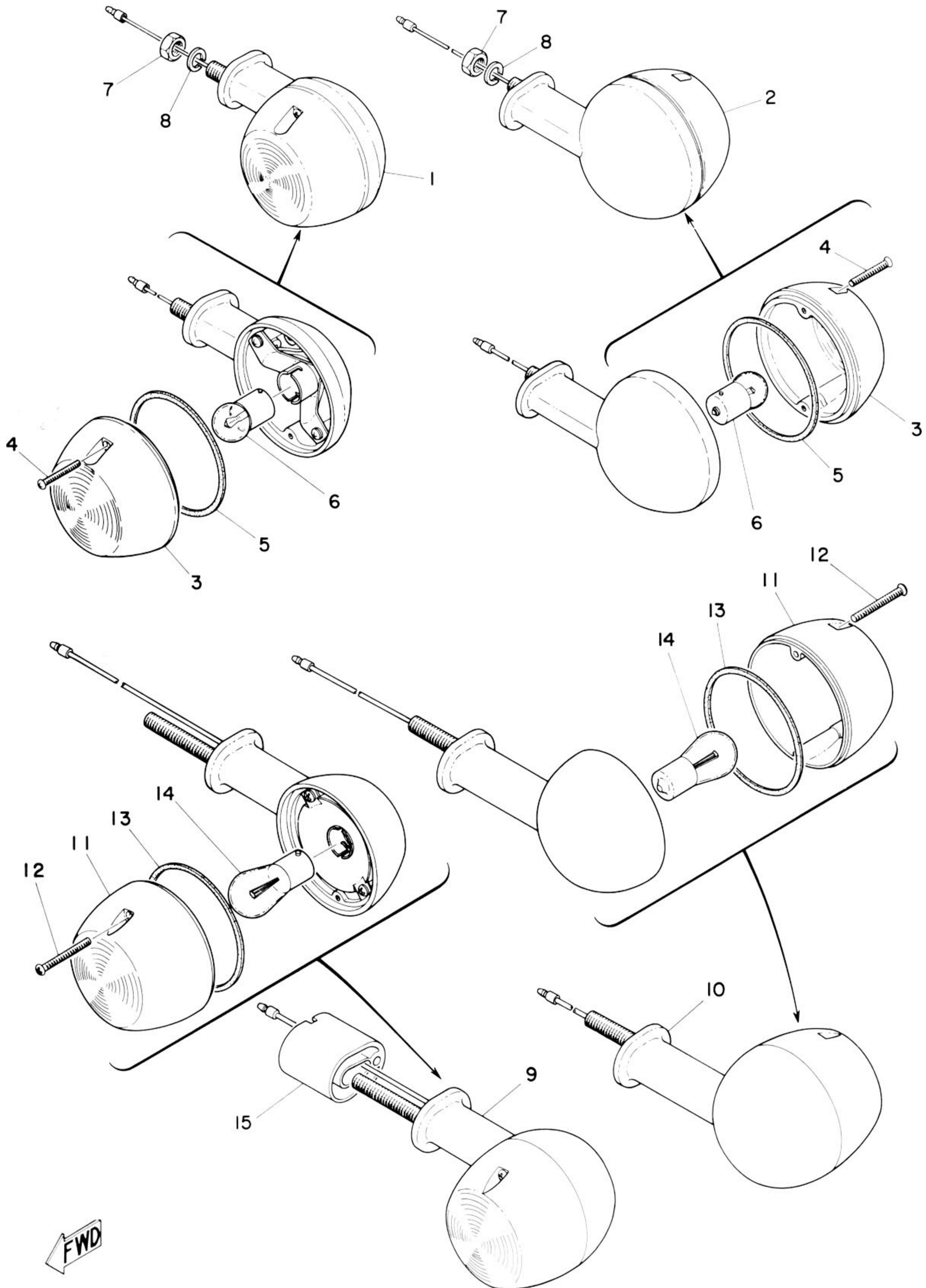
Fig. 34 TAIL LAMP 2



TAIL LAMP 2

Ref. No.	Parts No.	Description	Q'ty	Applicable Machine No.	Remarks
34- 0-1	278-84710-40	TAIL LAMP UNIT ASS'Y	1		Destined for W.Germany
34- 1	278-84711-40	BASE, tail lamp	1		
34- 2	137-84714-60	. BULB, tail lamp (12V 23/8W) ..	1		
34- 3	256-84723-60	. GASKET, tail lens	1		
34- 4	278-84721-40	. LENS, tail lamp	1		
34- 5	256-84724-60	. SCREW, lens fitting	2		
34- 6	278-84718-40	. BUSHING	1		
34- 7	98503-06045	SCREW, pan head	2		
34- 8	92901-06100	WASHER, spring	2		
34- 9	256-84751-60-35	BRACKET, license	1		
34-10	278-84729-40	HOLDER	1		
<hr/>					
34- 0-1	307-84710-30	TAIL LAMP UNIT ASS'Y	1		Destined for England
34-11	307-84711-30	. BASE, tail lamp	1		
34-12	168-84714-00	. BULB, tail lamp (12V 23/7W)	1		
34-13	122-84523-30	. GASKET, tail lens	1		
34-14	127-84521-31	. LENS, tail lamp	1		
34-15	127-84524-30	. SCREW, lens fitting	2		
34-16	92801-06700	NUT, crown	2		
34-17	92901-06100	WASHER, spring	2		
34-18	168-84751-30-35	BRACKET, license	1		
34-19	91201-06012	BOLT	4		
34-20	98801-06100	NUT	1		
34-21	92901-06100	WASHER, spring	1		

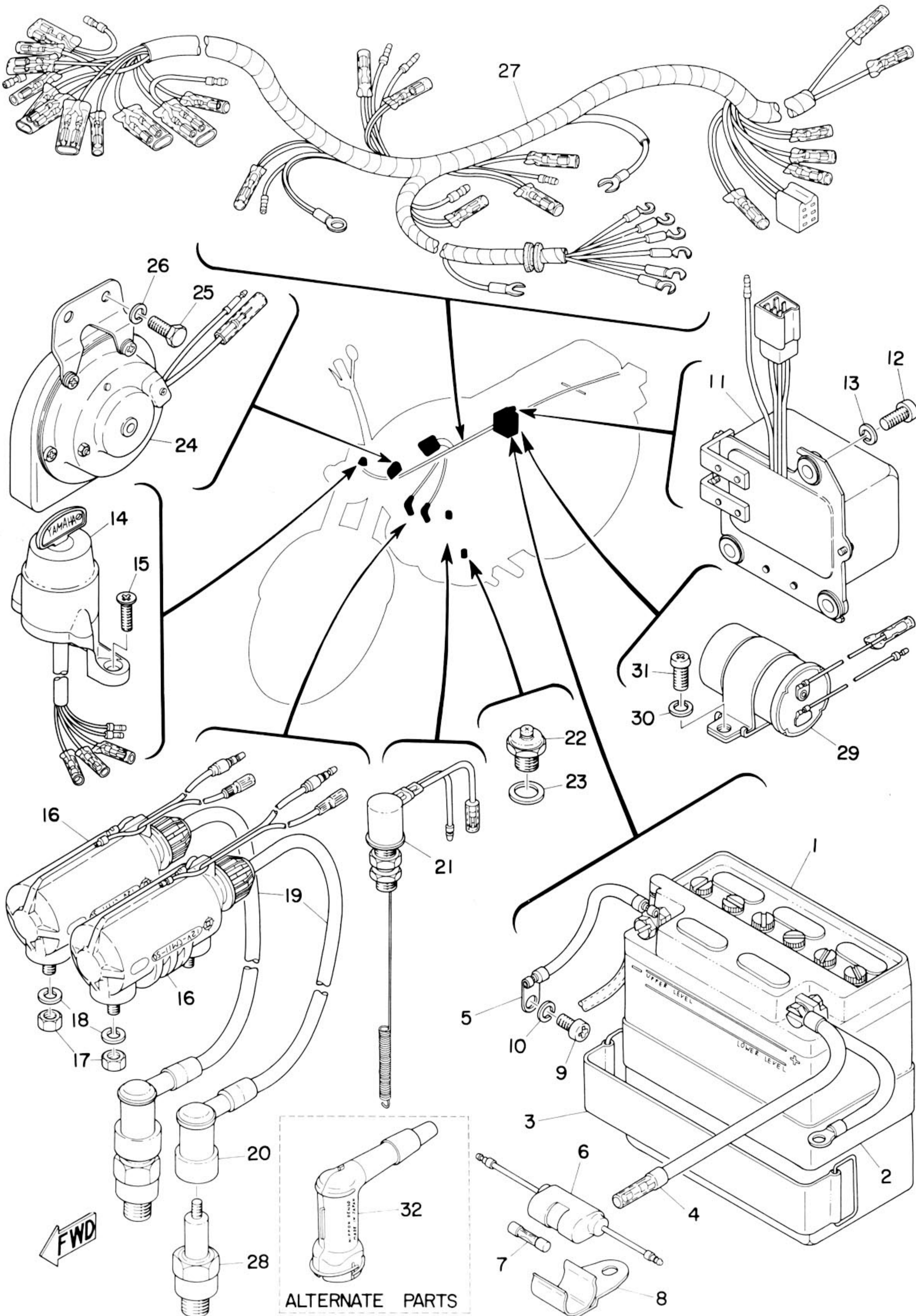
Fig. 35 FLASHER LAMP



FLASHER LAMP

Ref. No.	Parts No.	Description	Q'ty	Applicable Machine No.	Remarks
35- 1	278-83310-45-93	FRONT FLASHER LAMP ASS'Y	2		
	235-83310-95-93	FRONT FLASHER LAMP ASS'Y	2		Destined for Australia
35- 2	337-83330-20-93	REAR FLASHER LAMP ASS'Y	2		
	235-83330-95-93	REAR FLASHER LAMP ASS'Y	2		Destined for Australia
35- 3	183-83332-20	. LENS, flasher	4		
35- 4	183-83333-21	. SCREW, lens fitting	8		
35- 5	183-83313-70	. GASKET, flasher lens	4		
35- 6	136-83311-20	. BULB, flasher (12V 8W)	4		
35- 7	98801-08200	NUT	4		
35- 8	92901-08100	WASHER, spring	4		
35- 9	337-83310-40-93	FRONT FLASHER LAMP ASS'Y, left	1		Destined for W.Germany
	337-83320-40-93	FRONT FLASHER LAMP ASS'Y, right	1		Destined for W.Germany
35-10	337-83330-40-93	REAR FLASHER LAMP ASS'Y	2		Destined for W.Germany
35-11	183-83312-70	. LENS, flasher	4		
35-12	183-83333-71	. SCREW, lens fitting	8		
35-13	183-83313-70	. GASKET, flasher lens	4		
35-14	256-83311-70	. BULB, flasher (12V 32CP)	4		
35-15	260-83316-30	COLLAR, flasher 1 left	1		Destined for W.Germany
	260-83326-30	COLLAR, flasher 2 right	1		Destined for W.Germany

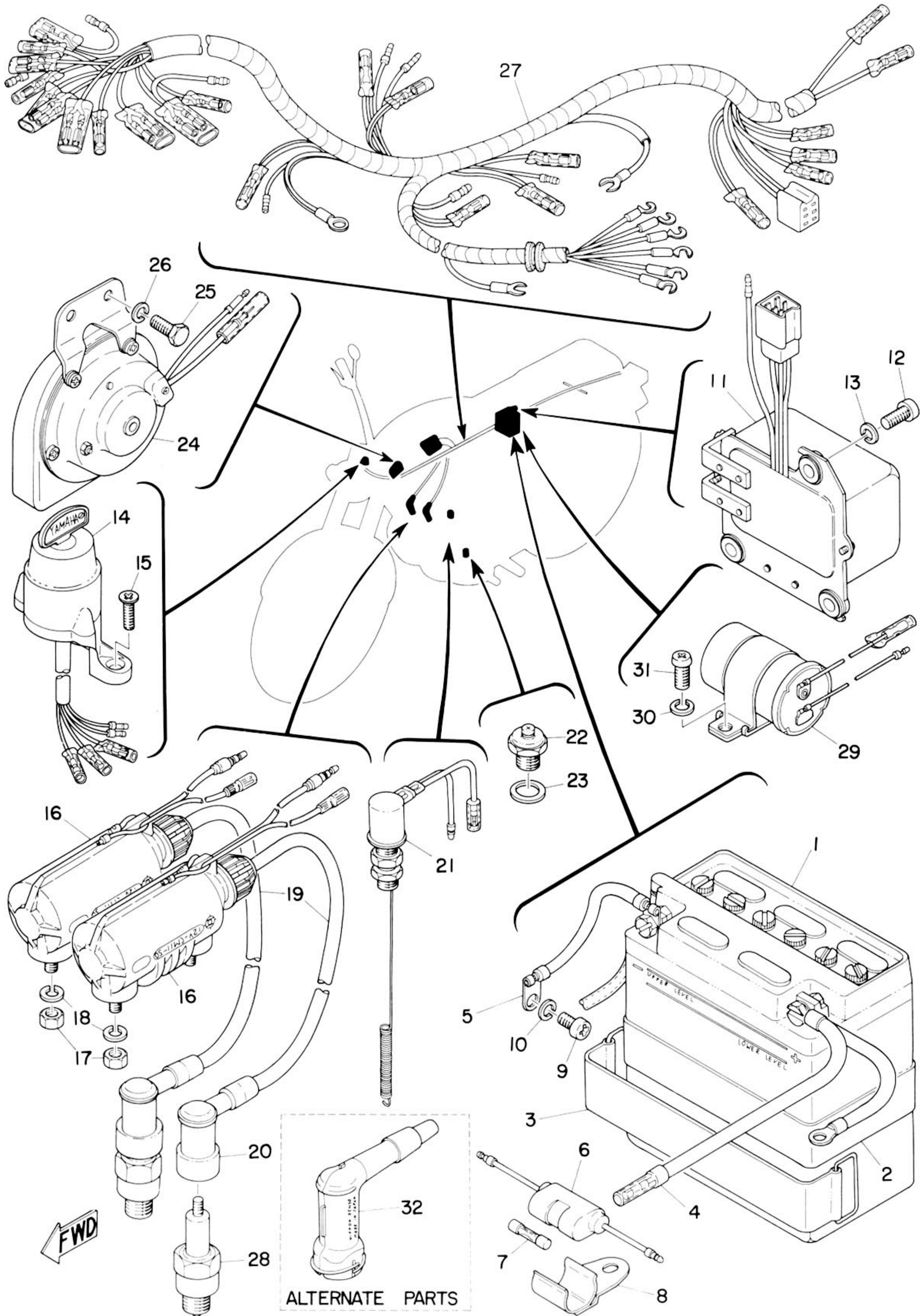
Fig. 36 ELECTRICAL



ELECTRICAL

Ref. No.	Parts No.	Description	Q'ty	Applicable Machine No.	Remarks
36- 1	173-82110-70	BATTERY ASS'Y	1		Furukawa
36- 1-1	104-82111-20	. CAP, battery	6		
36- 2	165-82124-00	BAND, battery	1		
36- 3	337-82131-00	BAND, battery	1		
36- 4	337-82115-00	WIRE, plus lead	1		
36- 5	337-82116-00	WIRE, minus lead	1		
36- 6	164-82150-00	FUSE HOLDER ASS'Y	1		
36- 7	148-82151-00	. FUSE	2		
36- 8	337-82152-00	HOLDER, fuse	1		
36- 9	92501-06010	SCREW, pan head	1		
36-10	92901-06100	WASHER, spring	1		
36-11	337-81910-10	VOLTAGE REGULATOR ASS'Y	1		Hitachi
36-12	92501-06015	SCREW, pan head	3		
36-13	92901-06100	WASHER, spring	3		
36-14	337-82508-10	MAIN SWITCH ASS'Y	1		
	337-82508-80	MAIN SWITCH ASS'Y	1		Destined for W.Germany England & France
36-15	98701-05015	SCREW, flat head	2		
36-16	254-82310-60	IGNITION COIL ASS'Y	2		Hitachi
36-17	98801-06200	NUT	4		
36-18	92901-06100	WASHER, spring	4		
36-19	183-82341-00	CORD, high-tension	2		
36-20	166-82370-20	PLUG CAP ASS'Y	2		
36-21	307-82530-00	STOP SWITCH ASS'Y	1		
36-22	136-82540-00	NEUTRAL SWITCH ASS'Y	1		

Fig. 36 ELECTRICAL



ELECTRICAL

Ref. No.	Parts No.	Description	Q'ty	Applicable Machine No.	Remarks
36-23	136-82543-00	GASKET	1		
36-24	183-83371-20	HORN	1		
36-25	91101-06015	BOLT	2		
36-26	92901-06100	WASHER, spring	2		
36-27	337-82590-10	WIRE HARNESS ASS'Y	1		
36-28	94701-00042	PLUG, spark (B-9HS)	2		
36-29	337-83350-20	FLASHER RELAY ASS'Y	1		
	173-83350-70	FLASHER RELAY ASS'Y	1		Destined for W.Germany
36-30	92901-06100	WASHER, spring	1		
36-31	92501-06015	SCREW, pan head	1		

ALTERNATE PARTS

36-32	808-82370-10	PLUG CAP ASS'Y (with Noise Surpressor)	2		
-------	--------------	---	---	--	--





NUMERICAL INDEX





NUMERICAL INDEX

Ref No.	Parts No.	Ref No.	Parts No.	Ref No.	Parts No.
23-10	101-24356-00	34-14	127-84521-31	23-20	132-24518-00
24- 6	101-24356-00	34-15	127-84524-30	23-13	132-24521-00
5-27	102-17462-00	1-21	131-11175-00	23-14	132-24522-00
4-13	102-17463-00	3-29	131-11633-00	23-30	132-24523-00
5-29	102-17463-00	3-30	131-11634-00	23-21	132-24525-00
4-12	102-17464-00	3- 9	132-11561-00-03	23-16	132-24531-00
5-30	102-17464-00	3-18	132-11561-00-03	23-17	132-24532-00
17- 9	102-22243-00	3- 9	132-11561-00-05	18-17	132-27414-00
26-43	102-25137-00	3-18	132-11561-00-05	18-19	132-27416-00
12-10	102-27114-00	13-24	132-13166-00	18-18	132-27417-00
33-10	102-28323-00	11- 8	132-14146-00	18-16	132-27442-00
36- 1-1	104-82111-20	12- 6	132-14613-00	14- 3	132-81221-10
26-23	109-25136-00	1-11	132-15351-00	14- 8	132-81225-10
15- 8	116-21483-00	1-12	132-15353-00	14- 7	132-81226-10
16-16	116-28324-00	5-23	132-15653-00	14-24	132-81231-10
24-13	116-28324-00	8-14	132-15664-00	14-12	133-81132-10
8-12	117-15644-00	8-16	132-15676-00	21-28	134-23484-10
1-22	120-15371-00	4- 8	132-16321-00	17-10	135-22243-00
19-14	122-21582-81	2- 7	132-16345-00	21- 6	136-23415-00
20-19	122-23112-00	2- 8	132-16346-00	27- 8	136-25115-00
20-24	122-23119-01	4- 9	132-16351-00	27-14	136-25153-00
20-26	122-23128-00	5- 3	132-17216-00	26- 8	136-25317-00
20-25	122-23129-00	5-19	132-17216-00	27- 7	136-25317-00
20-23	122-23346-01	5- 4	132-17414-00	27-12	136-25321-01
21-25	122-23480-00	5-18	132-17414-00	27-15	136-25351-01
21-26	122-23483-00	7-10	132-18113-01	27-43	136-25375-00
23- 6	122-24181-00	7- 2	132-18123-00	36-22	136-82540-00
23- 2	122-24610-01	7- 3	132-18124-00	36-23	136-82543-00
18- 2	122-27112-00	7- 4	132-18133-00	35- 6	136-83311-20
18-23	122-27317-01	7- 7	132-18137-00	30- 7	136-84321-00
34-13	122-84523-30	6-14	132-18140-00	29- 8	136-84322-00
30-13	123-83516-20	6-16	132-18143-00	30- 8	136-84322-00
32- 2	123-83516-20	6-15	132-18177-00	13-15	137-13128-00
32- 5	123-83516-20	6-20	132-18533-01	13-10	137-13137-00
13- 1	126-13116-00	23-28	132-24312-00	13-11	137-13138-01
11- 4	127-14190-15	23-11	132-24500-02	13-23	137-13167-00
11- 5	127-14195-00	23-12	132-24511-02	13- 4	137-13176-00
23-23	127-24650-00	23-15	132-24515-00	13-20	137-13187-00

NUMERICAL INDEX

Ref No.	Parts No.	Ref No.	Parts No.	Ref No.	Parts No.
11-38	137-14125-00	36- 7	148-82151-00	36- 6	164-82150-00
11-20	137-14136-00	18-25	150-27316-00	14-11	165-81145-21
11- 3	137-14143-10	26-37	152-25161-00	14-18	165-81145-21
11- 3	137-14143-11	26-34	152-25163-00	14-26	165-81145-21
11- 3	137-14143-12	26-35	152-25164-00	14-32	165-81145-21
11- 3	137-14143-13	26-36	152-25165-00	14-35	165-81145-21
11- 7	137-14186-00	19-12	152-84518-00	36- 2	165-82124-00
6-23	137-15353-00	11-18	156-14116-10	1-20	166-11171-60
4- 6	137-16324-00	8- 3	156-15618-01	36-20	166-82370-20
4-10	137-16333-00	21- 1	156-23411-00	37-36	167-25379-00
4-11	137-16337-01	21- 2	156-23412-00	23-29	168-24500-01
4- 7	137-16367-00	21-16	156-23418-00	23-33	168-24515-00
3-27	137-16377-00	22-24	156-26261-01	23-31	168-24521-00
20- 7	137-23125-00	22-29	156-26346-00	23-32	168-24522-00
20-10	137-23145-00	22-35	156-26347-00	23-19	168-24524-00
20- 8	137-23147-00	22-37	156-27226-00	26-17	168-25130-00
20-14	137-23163-00	22-36	156-27229-00	27-44	168-25373-00
21- 7	137-23454-00	18-12	156-27237-00	22-30	168-26337-00
23-27	137-24331-00	18-21	156-27413-00	22-31	168-26344-00
23-18	137-24523-00	21-22	156-83525-00	24- 9	168-82112-00
27-17	137-25133-00	25- 4	156-83525-00	22-34	168-83936-01
27-18	137-25159-00	32-11	156-83525-00	34-12	168-84714-00
27-37	137-25385-00	11-19	164-14137-00	34-18	168-84751-30-35
30- 9	137-84323-30	11-11	164-14184-00	21-27	169-23480-10
33- 2	137-84714-60	3-26	164-16119-00	29-11	169-84314-10
34- 2	137-84714-60	5- 8	164-17427-00-08	29-12	169-84346-10
7-16	141-18139-00	5- 8	164-17427-00-10	19-21	170-21746-00
16-10	141-21717-00	5- 8	164-17427-00-12	19-15	173-21581-80-93
21-15	141-23427-00	6- 4	164-18551-00	17- 5	173-22151-00
27- 2	141-25304-00	6- 3	164-18552-00	14-19	173-81111-10
27-25	141-25411-00	6-11	164-18561-00	14-38	173-81153-10
14-23	141-81113-10	6-18	164-18571-00	14- 1	173-81155-10
14-41	141-81152-10	6-17	164-18572-00	14-39	173-81162-10
3-33	146-11545-00	17- 6	164-22216-00	36- 1	173-82110-70
26- 7	148-25115-00	17-11	164-22241-00	36-29	173-83350-70
26-21	148-25353-00	21- 9	164-23441-00	1-14	174-11351-00
26-26	148-25359-00	14-15	164-81245-21	1-13	174-11361-00
27-24	148-25412-00	14- 6	164-81246-21	3- 0-1	174-11400-02

NUMERICAL INDEX

Ref No.	Parts No.	Ref No.	Parts No.	Ref No.	Parts No.
3- 1	174-11412-02	5- 1	174-17411-01	27-23	174-25439-20
3- 2	174-11422-01	5-14	174-17421-00	27-23	174-25440-20
3- 3	174-11432-01	5-28	174-17461-30	27-11	174-25634-00
3- 4	174-11442-01	5-28	174-17461-40	22- 1	174-26111-00
3-12	174-11511-01	5-28	174-17461-50	18- 6	174-27115-00
3-14	174-11512-02	5-28	174-17461-60	18- 7	174-27116-00
3-17	174-11515-00	7- 1	174-18101-01	15-11	174-28100-10
3-24	174-11523-00	6- 0-1	174-18500-02	18-11	180-27236-00
3-15	174-11541-01	6- 2	174-18511-00	11-34	183-14196-00
3- 5	174-11651-00	6- 6	174-18512-00	11-35	183-14197-01
3- 7	174-11681-00	6- 7	174-18513-00	7-11	183-22142-10
3- 8	174-11685-00	6- 1	174-18541-02	17-15	183-22316-01
13- 2	174-13175-00	6- 9	174-18544-00	17-13	183-22331-01
13- 6	174-13178-00	6-22	174-18558-00	17-14	183-22332-01
11-14	174-14122-00	6-24	174-18578-00	20-22	183-23318-00
11-16	174-14123-00	15- 4	174-21481-00	21- 4	183-23411-00
11-15	174-14134-00	15- 7	174-21482-00	21- 3	183-23412-00
11- 2	174-14141-32	19- 4	174-21518-00-93	21-19	183-23422-00
11-27	174-14171-00	17- 2	174-22123-00	26-44	183-25146-00
11-30	174-14178-00	21-18	174-23421-00	18- 5	183-27216-00
11- 9	174-14181-01	21-20	174-23425-00	14-37	183-81435-10
4- 1	174-16105-01	21-12	174-23443-00	36-19	183-82341-00
3-25	174-16111-00	21-21	174-23453-00	35-11	183-83312-70
4- 4	174-16154-00	23- 9	174-24312-00	35- 5	183-83313-70
4-17	174-16164-00	23- 8	174-24331-00	35-13	183-83313-70
4-15	174-16176-01	25-15	174-24741-00	35- 3	183-83332-20
4- 0-1	174-16301-02	26- 2	174-25104-00	35- 4	183-83333-21
4-14	174-16356-00	26-11	174-25183-00	35-12	183-83333-71
4- 5	174-16371-01	27- 1	174-25311-00	36-24	183-83371-20
5- 7	174-17121-00	27-16	174-25330-00	29- 7	183-84321-40
5- 6	174-17131-00	27-22	174-25366-01	29- 9	183-84323-41
5- 5	174-17141-00	27-31	174-25381-00	30-14	183-84345-30
5- 2	174-17151-00	27-33	174-25383-00	11-17	193-14112-20
5-21	174-17211-00	27-30	174-25386-00	11-17	193-14113-20
5-15	174-17221-00	27-26	174-25387-00	11-25	193-14124-26
5-16	174-17231-00	27-34	174-25388-00	11-23	193-14126-00
5-17	174-17241-00	27-32	174-25389-00	11-24	193-14133-00
5-20	174-17251-00	27-23	174-25437-20	11- 1	193-14142-25

NUMERICAL INDEX

Ref No.	Parts No.	Ref No.	Parts No.	Ref No.	Parts No.
11-22	193-14158-00	25- 9	214-24758-00	2-17	237-15324-00
20- 9	193-23150-40	25- 8	214-24776-00-33	5-10	237-15389-00
14- 0-1	193-81100-10	26-22	214-25138-00	4-19	237-16357-01
14- 2	193-81110-10	26-41	214-25147-00	9- 2	237-17831-00
14-29	193-81146-20	26-33	214-25182-01	9- 1	237-17861-00
28- 8	195-84324-00	22-21	214-26243-00	32- 9	237-83523-00
29-10	195-84324-00	22- 0-1	214-82910-02	28- 0-2	237-84310-00
30-10	195-84324-00	22- 4	214-82911-01	30- 0-2	237-84310-30
31- 7	195-84324-00	32- 8	214-83523-00	30-12	237-84312-30
28-11	195-84325-00	32-10	214-83524-00	28- 6	237-84315-00
29-14	195-84325-00	22- 5	214-83912-00	29- 6	237-84315-00
30-15	195-84325-00	22- 7	214-83913-00	31- 6	237-84315-00
31- 8	195-84325-00	22-15	214-83913-00	30- 6	237-84315-30
14-16	199-81133-10	28- 2	214-84153-60	28- 7	237-84320-00
33-21	202-21681-00-33	29- 2	214-84153-60	28- 1	237-84330-60-34
11- 6	205-14185-00	30- 2	214-84153-60	29- 1	237-84330-60-34
18-13	206-27238-00	31- 2	214-84153-60	30- 1	237-84330-60-34
22- 1	212-26111-00	33-20	214-84517-00	31- 1	237-84330-60-34
13-22	214-13161-01	10- 9	217-14456-00	1-24	241-15357-00
13-17	214-13162-00	22- 0-2	233-82920-32	2- 4	241-16341-01
13-18	214-13164-00	22-10	233-82921-31	2- 6	241-16342-00
9- 6	214-17811-01	22-14	233-83915-01	4-21	241-16343-00
9-10	214-17812-00	22-11	233-83922-30	20-20	241-23111-40
9- 9	214-17815-00	22-19	233-83980-30	12- 9	246-14651-00
9-13	214-17843-00	22-41	235-26241-00	21-13	246-23428-00
9- 8	214-17847-00	22- 2	235-26241-10	26- 1	246-25111-00
16-13	214-21633-00	22-42	235-26242-00	26-12	246-25118-00
24-12	214-21633-00	22-22	235-26242-10	26-16	246-25135-00
33-11	214-21633-00	35- 1	235-83310-95-93	26-40	246-25149-00
16-17	214-21717-00	35- 2	235-83330-95-93	26-20	246-25151-00
24-11	214-21717-00	32- 3	235-83536-21	26-13	246-25181-00
33-12	214-21717-00	22- 3	235-83972-00-94	26-18	246-25333-00
24- 8	214-21746-00	28-10	235-84312-60	32-12	246-83550-00
24- 2	214-21761-00	28- 9	235-84314-00	1-23	248-15373-00
24- 3	214-21771-00	30-11	235-84314-00	5-12	248-17471-01
24- 4	214-21772-00	1-17	237-11181-00	9- 3	248-17837-00
25- 7	214-24718-00	1- 1	237-15111-00	9- 4	248-17841-00
25-10	214-24727-00	1- 2	237-15121-01	16-14	248-21717-00

NUMERICAL INDEX

Ref No.	Parts No.	Ref No.	Parts No.	Ref No.	Parts No.
16-12	248-21757-00	34- 3	256-84723-60	11-37	307-14248-00
20- 5	248-23118-00	33- 5	256-84724-60	10- 2	307-14412-00-33
20-11	248-23144-00	34- 5	256-84724-60	10- 3	308-14422-00-33
4-16	251-15631-01	33- 8	256-84751-60-35	2-23	307-15363-00
8-11	251-15641-01	34- 9	256-84751-60-35	2-24	307-15425-00
5-22	251-15651-10	20-27	256-85111-10	7-17	307-18112-00-93
8-10	251-15687-00	35-15	260-83316-30	7-15	307-18115-00-93
29- 0-2	252-84310-40	35-15	260-83326-30	7-14	307-18118-00
29-13	252-84312-40	3-31	273-11601-00	2- 2	307-18188-00
22-40	253-26290-00	3-31	273-11601-10	21-17	307-23419-00
22-33	253-26290-10	3-31	273-11601-20	23- 1	307-24110-00-01
36-16	254-82310-60	3-28	273-11631-61-97	23- 3	307-24161-00
11-28	256-14135-00	3-28	273-11631-61-98	23- 4	307-24162-00
27-39	256-25371-00	3-28	273-11631-61-99	23- 7	307-24182-00
22-39	256-26391-00	3-28	273-11635-61	25- 2	307-24726-00-33
12-11	256-27314-00	3-28	273-11636-61	22- 1	307-26111-20
35-14	256-83311-70	11-21	276-14131-00	22-32	307-26278-00
20-30	256-83329-00	25-12	276-24748-00-33	17-18	307-27431-00
28- 0-1	256-84301-61	13-21	278-13161-00	17-19	307-27433-00
29- 0-1	256-84301-61	8- 1	278-15611-00	17-20	307-27437-00
30- 0-1	256-84301-61	8- 5	278-15613-00	36-21	307-82530-00
31- 0-1	256-84301-61	8- 4	278-15622-00	32- 1	307-83510-20
28- 4	256-84347-00	16- 8	278-21717-00	32- 1	307-83510-40
29- 4	256-84347-00	25-11	278-24728-00-33	32-13	307-83560-00
30- 4	256-84347-00	35- 1	278-83310-45-93	34- 0-1	307-84710-30
31- 4	256-84347-00	34- 0-1	278-84710-40	34-11	307-84711-30
28- 5	256-84350-61	34- 1	278-84711-40	16- 6	320-21787-00
29- 5	256-84350-61	34- 6	278-84718-40	24-14	320-21787-00
30- 5	256-84350-61	34- 4	278-84721-40	16- 7	326-21717-00
31- 5	256-84350-61	34-10	278-84729-40	1-18	337-11111-00
28- 3	256-84357-61	13- 0-1	293-13101-00	1-19	337-11121-00
29- 3	256-84357-61	13-25	293-13174-00	1-15	337-11311-00
30- 3	256-84357-61	11-10	293-14183-00	1-16	337-11321-00
31- 3	256-84357-61	11-33	293-14194-00	11- 0-1	337-14101-60
33- 0-1	256-84710-00	12- 3	293-14753-01	11- 0-2	337-14102-60
33- 1	256-84711-60	10- 8	304-14455-00	11-29	337-14175-00
33- 4	256-84721-00	8-15	304-15665-00	11-36	337-14247-00
33- 3	256-84723-60	11-26	307-14169-00	10- 1	337-14411-00-33

NUMERICAL INDEX

Ref No.	Parts No.	Ref No.	Parts No.	Ref No.	Parts No.
10- 4	337-14451-00	20- 6	337-23124-60	18-14	337-27411-00
10- 7	337-14453-00	20- 1	337-23126-60-93	18-15	337-27412-00
12- 1	337-14610-00	20-17	337-23131-60-34	1-25	337-81328-00
12- 2	337-14620-00	20-13	337-23132-50	36-11	337-81910-10
12-12	337-14779-00-33	20- 2	337-23136-60-93	36- 4	337-82115-00
2- 1	337-15410-00	20- 3	337-23141-60	36- 5	337-82116-00
2-12	337-15415-00	20- 4	337-23142-60	36- 3	337-82131-00
2-21	337-15416-00	20-21	337-23340-50-33	36- 8	337-82152-00
2-11	337-15417-00	20-21	337-23340-60-33	36-14	337-82508-10
2-16	337-15421-00	21- 8	337-23435-00-98	36-14	337-82508-80
8- 2	337-15621-00	23-24	337-24110-10-01	36-27	337-82590-10
8- 9	337-15660-00	23-25	337-24161-10	35- 9	337-83310-40-93
7- 9	337-18111-00-93	23-26	337-24162-10	35- 9	337-83320-40-93
15- 1	337-21110-00-33	24- 5	337-24319-00	35- 2	337-83330-20-93
15- 1	337-21110-10-33	25- 1	337-24730-00	35-10	337-83330-40-93
15-10	337-21165-00-93	25- 1	337-24730-10	36-29	337-83350-20
16- 9	337-21170-00	25-13	337-24768-00	32- 7	337-83518-00-33
15- 2	337-21315-00	25-16	337-24830-00	32- 6	337-83520-00
15- 3	337-21316-00	26-19	337-25121-00	32- 4	337-83540-00
18-20	337-21491-00	26-27	337-25155-00	22-20	337-83976-00
19- 1	337-21510-00-93	26-28	337-25156-00	29-15	337-84348-00
19-13	337-21510-80-93	27-19	337-25355-00	29-16	337-84349-00
19- 7	337-21610-00-93	22- 1	337-26111-00	33-15	337-84752-00
19-20	337-21610-30-93	22-23	337-26311-00	33-17	337-84753-00
24- 1	337-21705-00-34	22-23	337-26311-20	11-32	802-14173-00
16- 1	337-21710-00-34	22-23	337-26311-30	11-31	802-14174-00
16- 5	337-21786-00-34	22-25	337-26312-00	15- 9	803-82591-00
24-10	337-21786-00-34	22-26	337-26321-00	36-32	808-82370-10
17- 1	337-22110-00-33	22-27	337-26335-00	21-23	91101-06010
17- 3	337-22141-00	22-27	337-26335-20	19-11	91101-06012
17- 7	337-22210-20	22-27	337-26335-30	36-25	91101-06015
17-12	337-22311-00-93	22-28	337-26341-00	8- 7	91101-06025
20- 0-1	337-23100-50-34	22-28	337-26341-20	19- 8	91101-06045
20- 0-1	337-23100-90-34	22-28	337-26341-30	25-17	91101-06050
20-18	337-23114-60	18- 1	337-27111-00	26-29	91103-06030
20-15	337-23116-60	18- 3	337-27211-00-93	16- 2	91201-06012
20-16	337-23121-60-34	18- 8	337-27231-00	25- 5	91201-06012
20-12	337-23122-50	18-22	337-27311-00	34-19	91201-06012

NUMERICAL INDEX

Ref No.	Parts No.	Ref No.	Parts No.	Ref No.	Parts No.
16-11	91201-06020	2-19	92506-06035	16- 3	92901-06100
16-15	91201-06025	2- 9	92506-06040	17-17	92901-06100
24- 7	91201-06025	2-20	92506-06040	19- 6	92901-06100
7-18	91201-06030	2-10	92506-06060	19- 9	92901-06100
19-16	91203-06012	1- 6	92506-06085	19-18	92901-06100
22- 6	91203-06020	1- 8	92506-06140	21-24	92901-06100
22-12	91203-06020	34-16	92801-06700	22- 9	92901-06100
22-14	91203-06020	27-40	92801-10300	22-13	92901-06100
33- 9	91203-06020	26-30	92803-06200	25- 6	92901-06100
27-20	91203-06030	26-38	92803-06300	26-31	92901-06100
22-18	91401-12015	17- 8	92803-10700	33- 7	92901-06100
13-16	91401-12018	11-13	92900-04100	33-13	92901-06100
7-13	91401-16012	14- 5	92901-04100	33-18	92901-06100
17-22	91401-16012	14-10	92901-04100	34- 8	92901-06100
18-10	91401-20012	14-14	92901-04100	34-17	92901-06100
22-38	91401-20012	14-17	92901-04100	34-21	92901-06100
27-47	91401-20012	14-20	92901-04100	36-10	92901-06100
6- 5	91401-25020	14-25	92901-04100	36-13	92901-06100
26-45	91401-30030	14-31	92901-04100	36-18	92901-06100
25- 3	91501-05055	14-34	92901-04100	36-26	92901-06100
17-21	91501-06035	14- 4	92901-04200	36-30	92901-06100
2- 3	91609-30022	14- 9	92901-04200	7-20	92901-06200
1- 9	91810-03014	14-13	92901-04200	10- 6	92901-06200
2-18	91810-03014	14-30	92901-04200	16- 4	92901-06200
1- 3	91810-08016	14-33	92901-04200	18- 9	92901-06200
9-11	92501-06010	6-13	92901-05100	19-10	92901-06200
10- 5	92501-06010	11-41	92901-05100	19-19	92901-06200
36- 9	92501-06010	12- 5	92901-05100	25-14	92901-06200
17-16	92501-06012	13-12	92901-05100	25-18	92901-06200
36-12	92501-06015	14-28	92901-05100	26-32	92901-06200
36-31	92501-06015	14-36	92901-05100	12- 8	92901-08100
1- 5	92501-06050	20-28	92901-05100	14-40	92901-08100
10-10	92501-06050	14-27	92901-05200	15- 6	92901-08100
1- 4	92501-06060	20-29	92901-05200	18-27	92901-08100
1- 7	92501-06100	22-17	92901-05200	19- 3	92901-08100
2-22	92506-06015	7-19	92901-06100	21-11	92901-08100
2-15	92506-06020	9-12	92901-06100	27-46	92901-08100
2-14	92506-06025	10-11	92901-06100	32-15	92901-08100

NUMERICAL INDEX

Ref No.	Parts No.	Ref No.	Parts No.	Ref No.	Parts No.
35- 8	92901-08100	5-24	93410-13004	14-22	98501-04008
33-16	92901-08200	8-17	93410-15005	23- 5	98501-04008
13- 7	92901-08400	26-42	93410-22014	11-12	98501-04014
27-42	92901-10200	8-13	93410-25017	12- 4	98501-05010
27-41	92901-12100	27-28	93420-47008	5-13	98501-05012
13-14	93101-10001	6-10	93430-03014	6-12	98501-05012
13- 5	93101-10002	26-39	93430-04003	11-40	98501-05012
7- 6	93101-12004	7- 8	93430-10016	13- 9	98501-05015
27-13	93101-42018	7-12	93430-10016	33- 6	98503-06010
3-21	93102-20010	8- 6	93430-10016	34- 7	98503-06045
26-10	93102-22014	18- 4	93430-12008	2-13	98506-05012
5-26	93102-28021	6-19	93440-15012	36-15	98701-05015
3-22	93103-32031	3-11	93450-52010	13-13	98801-05200
26-24	93104-07003	21- 5	93501-04011	22-16	98801-05500
2- 5	93104-11028	4-18	93505-16006	11-39	98801-06100
26-15	93105-53013	6-21	93505-16006	19- 5	98801-06100
27-29	93106-30008	8- 8	93507-32009	19-17	98801-06100
8-18	93109-15001	1-10	93603-14026	34-30	98801-06100
9- 7	93210-07100	13- 3	93603-22028	27-21	98801-06200
9- 5	93210-13016	3-13	93604-18058	27-35	98801-06200
26-25	93210-14104	6- 8	93604-22050	33-14	98801-06200
3-23	93210-18023	26- 4	94127-18024	33-19	98801-06200
27-10	93210-43043	27- 4	94130-18065	36-17	98801-06200
3-16	93210-46044	26- 5	94227-18009	4-20	98801-06300
4- 2	93210-85075	27- 5	94230-18012	22- 8	98801-06300
27- 9	93306-20204	26- 6	94327-18007	22-16	98801-06300
27-27	93306-20404	27- 6	94330-18010	7- 5	98801-08200
3-10	93306-20513	26- 3	94416-18039	15- 5	98801-08200
3-20	93306-20513	27- 3	94416-18039	27-45	98801-08200
26-14	93306-30201	27-48	94514-28112	35- 7	98801-08200
26- 9	93306-30203	27-48-1	94614-28001	13- 8	98801-08300
5-25	93306-30401	36-28	94701-00042	18-24	98801-08300
5-11	93306-30408	19- 2	97201-08012	17- 4	98801-14200
3-19	93306-30509	32-14	97201-08015	12- 7	98803-08200
3-32	93310-21403	18-26	97201-08020	27-38	98803-14200
3- 6	93310-42012	21-10	97203-08035	21-14	98803-16200
5- 9	93315-31502	23-22	98501-03006	13-19	98901-04008
4- 3	93341-22603	14-21	98501-04008		





YAMAHA MOTOR CO., LTD.

PRINTED IN JAPAN

First edition Oct. 1971

(337-00)