



# YAMAHA

## PARTS LIST

1970  
900  
MODEL **HS1**

**ISO**

SOME OF THE PARTS IN THIS  
BOOK HAVE ISO-THREADING.  
PLEASE MAKE SURE TO CONSULT  
THIS BOOK WHEN ORDERING  
PARTS FOR THE MOTORCYCLE  
DESCRIBED HEREIN.

**YAMAHA MOTOR CO., LTD.**



# YAMAHA HS1





# Instructions on Parts List

## YAMAHA HS1

1. DIMENSIONS: All dimensions are given in millimeters with the exception of steel balls which are given in inches.
2. KEY TO SYMBOLS:
  - R.H. . . . . Right hand side (Viewed from the rider's seat facing forward)
  - L.H. . . . . Left hand side (Viewed from the rider's seat facing forward)
  - S.R. . . . . Suggested retail price
  - UR . . . . . Use size (thickness) and/or numbers as required
  - ☆ . . . . . Government inspected parts
  - △ . . . . . Not supplied as a single part
  - T . . . . . Number of teeth in a gear
  - V . . . . . Voltage for light bulbs
  - W . . . . . Wattage for light bulbs
  - S . . . . . "S" type oil seal
  - SD . . . . . "SD" type oil seal
  - SO . . . . . "SO" type oil seal
  - SW . . . . . "SW" type oil seal
3. COMPONENT PARTS: Component parts of an assembly are preceded by a dot (.) as follows:

### CARBURETOR ASS'Y

|                |   |                 |
|----------------|---|-----------------|
| . JET, pilot   | } | Component parts |
| . NOZZLE, main |   |                 |
| . JET, main    |   |                 |

Component parts which are mounted on either side of the m/c. are listed in the sequence:

- 3a).- Parts to be mounted on "LEFT SIDE" are listed first.-
- 3b).- Parts to be mounted on "RIGHT SIDE" are listed second.-
- 3c).- Parts which can be mounted on "EITHER SIDE" are listed next to the parts.-

You are requested to be very careful, when ordering, not to make a mistake in stating the part numbers, since only a single wrong figure will entirely change the contents and will cause you to receive quite a different part.

We believe that this introduction will prove a great help to you, but if you have any ambiguous point, please do not hesitate to contact us.

# CONTENTS

## ENGINE

|         |                            |    |
|---------|----------------------------|----|
| Fig. 1  | Crankcase .....            | 1  |
| Fig. 2  | Crankcase Cover .....      | 3  |
| Fig. 3  | Crank & Piston .....       | 5  |
| Fig. 4  | Clutch .....               | 7  |
| Fig. 5  | Transmission .....         | 9  |
| Fig. 6  | Shifter .....              | 11 |
| Fig. 7  | Kick .....                 | 13 |
| Fig. 8  | Tachometer Gear .....      | 15 |
| Fig. 9  | Air Cleaner .....          | 17 |
| Fig. 10 | Carburetor .....           | 19 |
| Fig. 11 | Muffler .....              | 23 |
| Fig. 12 | Oil Pump .....             | 25 |
| Fig. 13 | A.C Magnet Generator ..... | 27 |

## CHASSIS

|         |   |    |
|---------|---|----|
| Fig. 14 | Frame .....                               | 31 |
| Fig. 15 | Rear Arm & Chain Case .....               | 33 |
| Fig. 16 | Stand, Footrest & Rear Brake Pedal .....  | 35 |
| Fig. 17 | Front Fork & Front Fender .....           | 37 |
| Fig. 18 | Handle & Wire .....                       | 41 |
| Fig. 19 | Fuel Tank .....                           | 45 |
| Fig. 20 | Oil Tank .....                            | 47 |
| Fig. 21 | Seat & Carrier .....                      | 49 |
| Fig. 22 | Front Wheel .....                         | 51 |
| Fig. 23 | Rear Wheel .....                          | 53 |
| Fig. 24 | Head Lamp, Speedometer & Tachometer ..... | 55 |
| Fig. 25 | Tail Lamp .....                           | 61 |
| Fig. 26 | Electrical .....                          | 63 |
| Fig. 27 | Flasher Lamp (Alternate Parts) .....      | 65 |

## NUMERICAL INDEX



# ENGINE

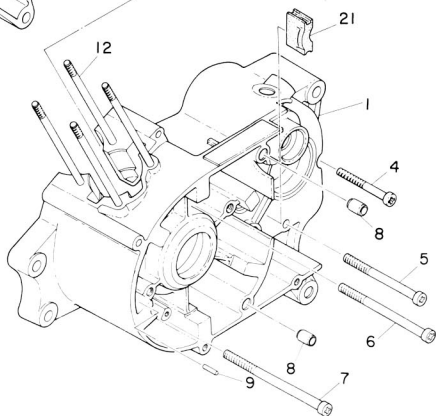
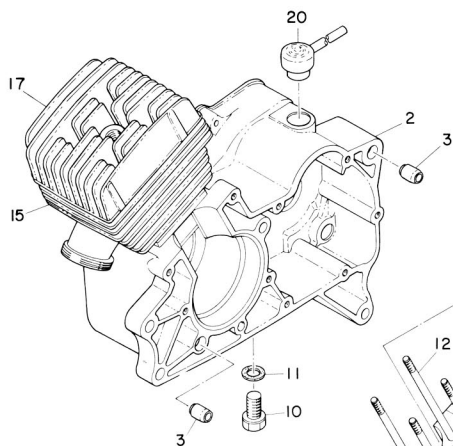
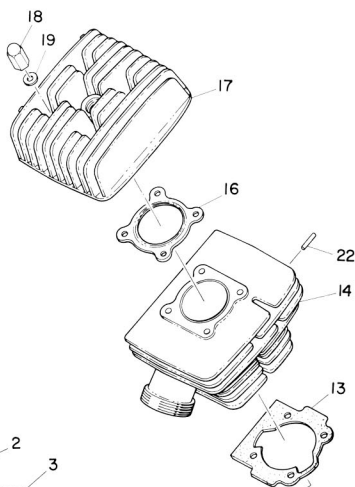
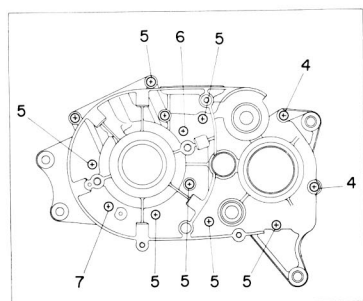








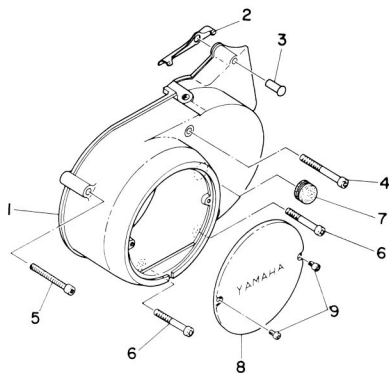
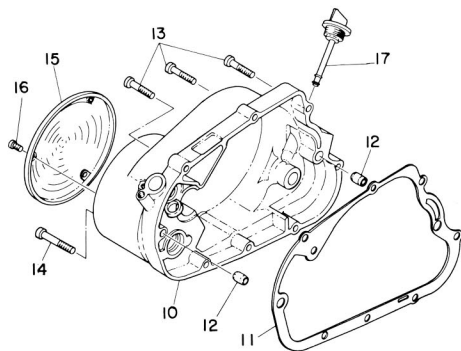
Fig. 1 CRANKCASE



# CRANKCASE

| Ref No. | Parts No.    | Parts Name             | Description | Q'ty | S·R | Remarks |
|---------|--------------|------------------------|-------------|------|-----|---------|
| 1- 1    | 241-15111-00 | CASE, crank (L.H)      |             | 1    |     |         |
| 1- 2    | 241-15121-01 | CASE, crank (R.H)      |             | 1    |     |         |
| 1- 3    | 91810-08016  | PIN, dowel             | 9.8-12-16   | 2    |     |         |
| 1- 4    | 92501-06055  | SCREW, pan head        |             | 2    |     |         |
| 1- 5    | 92501-06060  | SCREW, pan head        |             | 7    |     |         |
| 1- 6    | 92501-06070  | SCREW, pan head        |             | 1    |     |         |
| 1- 7    | 92501-06080  | SCREW, pan head        |             | 1    |     |         |
| 1- 8    | 91810-03014  | PIN, dowel             | 8.4-10-14   | 2    |     |         |
| 1- 9    | 93603-14026  | PIN, dowel             | 3-14        | 1    |     |         |
| 1-10    | 132-15351-00 | PLUG, drain            |             | 1    |     |         |
| 1-11    | 132-15353-00 | GASKET, drain plug     | 12.5-19-1.5 | 1    |     |         |
| 1-12    | 109-11361-00 | BOLT, cylinder holding |             | 8    |     |         |
| 1-13    | 195-11351-00 | GASKET, cylinder       |             | 2    |     |         |
| 1-14    | 241-11311-00 | CYLINDER (L.H)         |             | 1    |     |         |
| 1-15    | 241-11321-00 | CYLINDER (R.H)         |             | 1    |     |         |
| 1-16    | 134-11181-01 | GASKET, cylinder head  |             | 2    |     |         |
| 1-17    | 132-11111-00 | HEAD, cylinder         |             | 2    |     |         |
| 1-18    | 126-11171-60 | NUT                    |             | 8    |     |         |
| 1-19    | 92901-06200  | WASHER, plain          |             | 8    |     |         |
| 1-20    | 132-15371-00 | BREATHER               |             | 1    |     |         |
| 1-21    | 241-15357-00 | GROMMET                |             | 1    |     |         |
| 1-22    | 93602-10061  | PIN, dowel             | 2-9.8       | 2    |     |         |

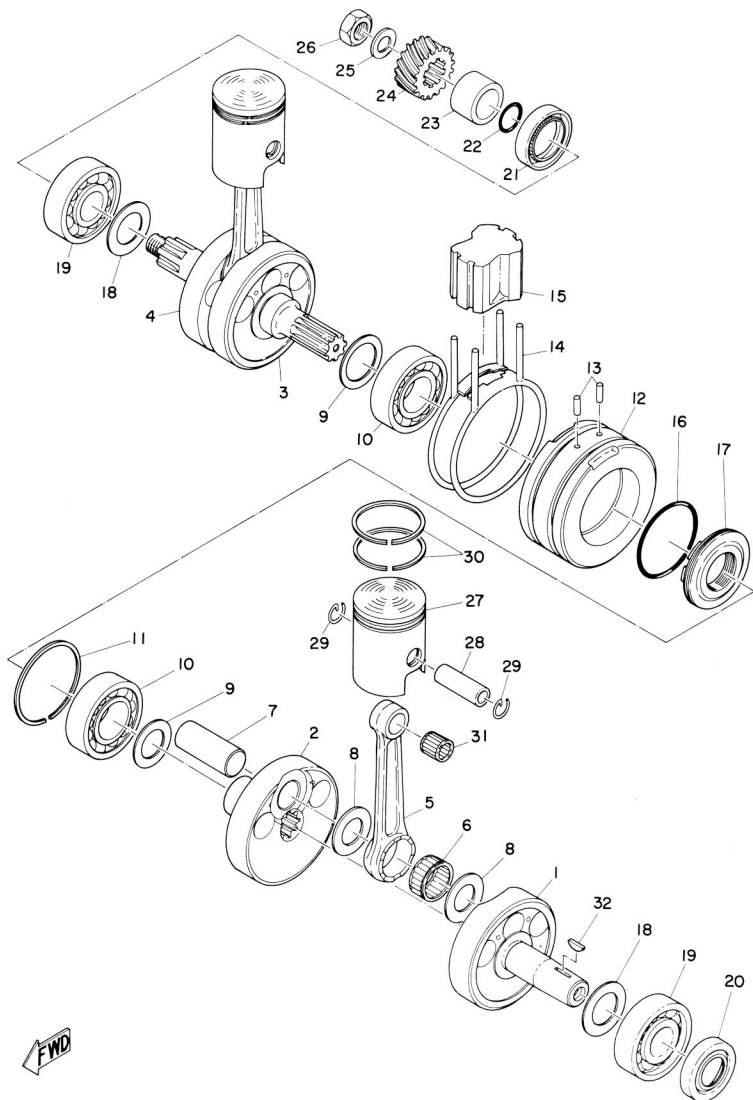
Fig. 2 CRANKCASE COVER



## CRANKCASE COVER

| Ref No. | Parts No.    | Parts Name                    | Description | Q'ty | S·R | Remarks |
|---------|--------------|-------------------------------|-------------|------|-----|---------|
| 2- 1    | 241-15410-00 | CRANKCASE COVER ASS'Y (L.H)   |             | 1    |     |         |
| 2- 2    | 183-15418-01 | . COVER, chain case           |             | 1    |     |         |
| 2- 3    | 183-15448-00 | . RIVET                       |             | 1    |     |         |
| 2- 4    | 92501-06055  | SCREW, pan head               |             | 1    |     |         |
| 2- 5    | 92501-06140  | SCREW, pan head               |             | 1    |     |         |
| 2- 6    | 92501-06045  | SCREW, pan head               |             | 2    |     |         |
| 2- 7    | 241-15417-00 | COVER, cap                    |             | 1    |     |         |
| 2- 8    | 141-15415-00 | COVER, generator (1)          |             | 1    |     |         |
| 2- 9    | 98501-04005  | SCREW, pan head               | (ISO)       | 2    |     |         |
| 2-10    | 252-15421-00 | COVER, crankcase (R.H)        |             | 1    |     |         |
| 2-11    | 252-15451-00 | GASKET, crankcase cover (R.H) |             | 1    |     |         |
| 2-12    | 91810-03014  | PIN, dowel                    | 8.4-10-14   | 2    |     |         |
| 2-13    | 92501-06030  | SCREW, pan head               |             | 7    |     |         |
| 2-14    | 92501-06040  | SCREW, pan head               |             | 1    |     |         |
| 2-15    | 252-15416-00 | COVER, oil pump               |             | 1    |     |         |
| 2-16    | 98501-04010  | SCREW, pan head               |             | 3    |     |         |
| 2-17    | 174-15363-00 | PLUG, oil                     |             | 1    |     |         |

Fig. 3 CRANK & PISTON

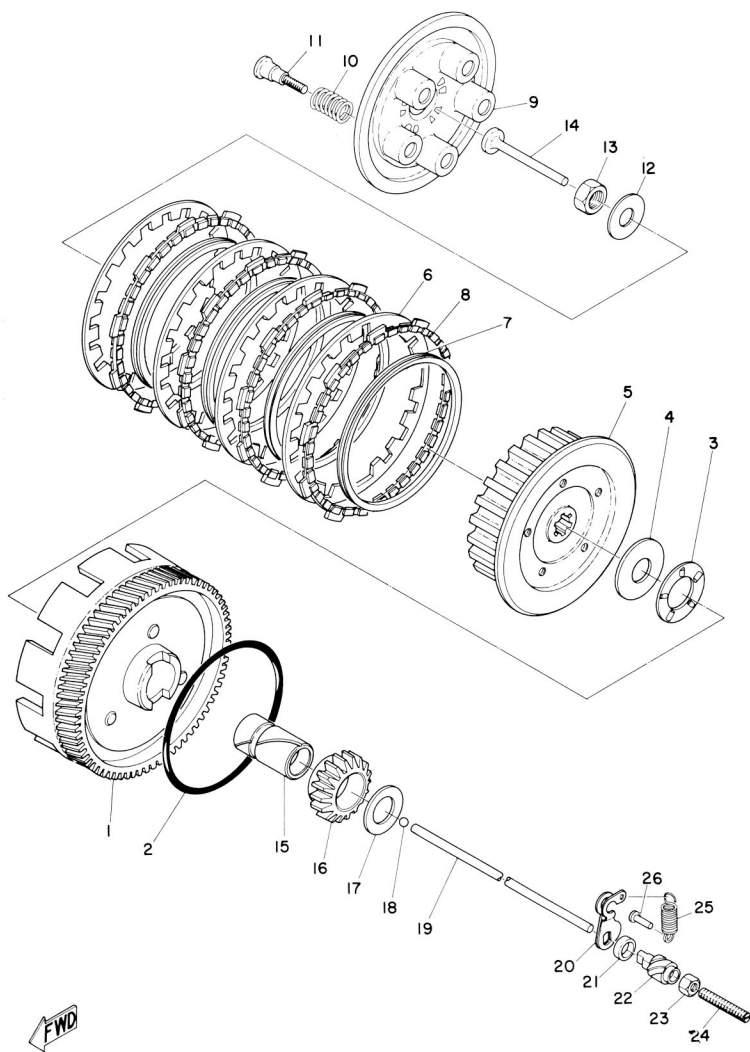


## CRANK & PISTON

| Ref No. | Parts No.    | Parts Name                | Description                           | Q'ty | S · R | Remarks |
|---------|--------------|---------------------------|---------------------------------------|------|-------|---------|
| 3- 0-1  | 241-11400-00 | CRANK ASS'Y               |                                       | 1    |       |         |
| 3- 1    | 183-11412-02 | . CRANK (1) (L.H)         |                                       | 1    |       |         |
| 3- 2    | 132-11422-03 | . CRANK (1) (R.H)         |                                       | 1    |       |         |
| 3- 3    | 132-11432-03 | . CRANK (2) (L.H)         |                                       | 1    |       |         |
| 3- 4    | 183-11442-02 | . CRANK (2) (R.H)         |                                       | 1    |       |         |
| 3- 5    | 183-11651-00 | . ROD, connecting         |                                       | 2    |       |         |
| 3- 6    | 93310-41809  | . BEARING                 |                                       | 2    |       |         |
| 3- 7    | 122-11681-00 | . PIN, crank              | 18-42.6                               | 2    |       |         |
| 3- 8    | 132-11685-00 | . WASHER, crank pin       | 18.2-31-1.0                           | 4    |       |         |
| 3- 9    | 132-11561-00 | . SHIM, crank             | 20.5-35 <sup>0.3</sup> <sub>0.8</sub> | 2    |       |         |
| 3-10    | 93306-20513  | . BEARING                 | 6205C3                                | 2    |       |         |
| 3-11    | 93450-52010  | . CIRCLIP                 |                                       | 1    |       |         |
| 3-12    | 132-11511-02 | . COVER, crank            |                                       | 1    |       |         |
| 3-13    | 93604-18058  | . PIN, dowel              | 4-17.8                                | 2    |       |         |
| 3-14    | 183-11512-00 | . SEAL, crank cover       |                                       | 2    |       |         |
| 3-15    | 195-11541-00 | . METAL, filler           |                                       | 1    |       |         |
| 3-16    | 93210-48045  | . O-RING                  | 1.8-48                                | 1    |       |         |
| 3-17    | 132-11515-01 | . SEAL, labyrinth         |                                       | 1    |       |         |
| 3-18    | 136-11561-00 | SHIM, crank               |                                       | 2    |       |         |
| 3-19    | 93306-30405  | BEARING                   | 6304C3                                | 2    |       |         |
| 3-20    | 93102-20010  | OIL SEAL                  | SD-20-40-8                            | 1    |       |         |
| 3-21    | 93103-28011  | OIL SEAL                  | SW-28-40-8                            | 1    |       |         |
| 3-22    | 93210-18023  | O-RING                    | 1.2-17.6                              | 1    |       |         |
| 3-23    | 183-16136-00 | COLLAR, distance          | 20-28-16.5                            | 1    |       |         |
| 3-24    | 183-16111-00 | GEAR, primary drive       | 19T                                   | 1    |       |         |
| 3-25    | 164-16119-00 | SPRING, Bellevil          |                                       | 1    |       |         |
| 3-26    | 137-16377-00 | NUT, lock (1)             |                                       | 1    |       |         |
| 3-27    | 241-11631-01 | PISTON                    |                                       | 2    |       |         |
|         | 241-11635-01 | PISTON (1st O.S)          |                                       | 2    |       |         |
|         | 241-11636-01 | PISTON (2nd O.S)          |                                       | 2    |       |         |
| 3-28    | 132-11633-00 | PIN, piston               |                                       | 2    |       |         |
| 3-29    | 132-11634-00 | CLIP, piston pin          |                                       | 4    |       |         |
| 3-30    | 132-11610-01 | PISTON RING SET           |                                       | 2s   |       |         |
|         | 132-11610-11 | PISTON RING SET (1st O.S) |                                       | 2s   |       |         |
|         | 132-11610-21 | PISTON RING SET (2nd O.S) |                                       | 2s   |       |         |
| 3-31    | 93310-11201  | BEARING                   |                                       | 2    |       |         |
| 3-32    | 146-11545-00 | KEY, woodruff             |                                       | 1    |       |         |



Fig. 4 CLUTCH

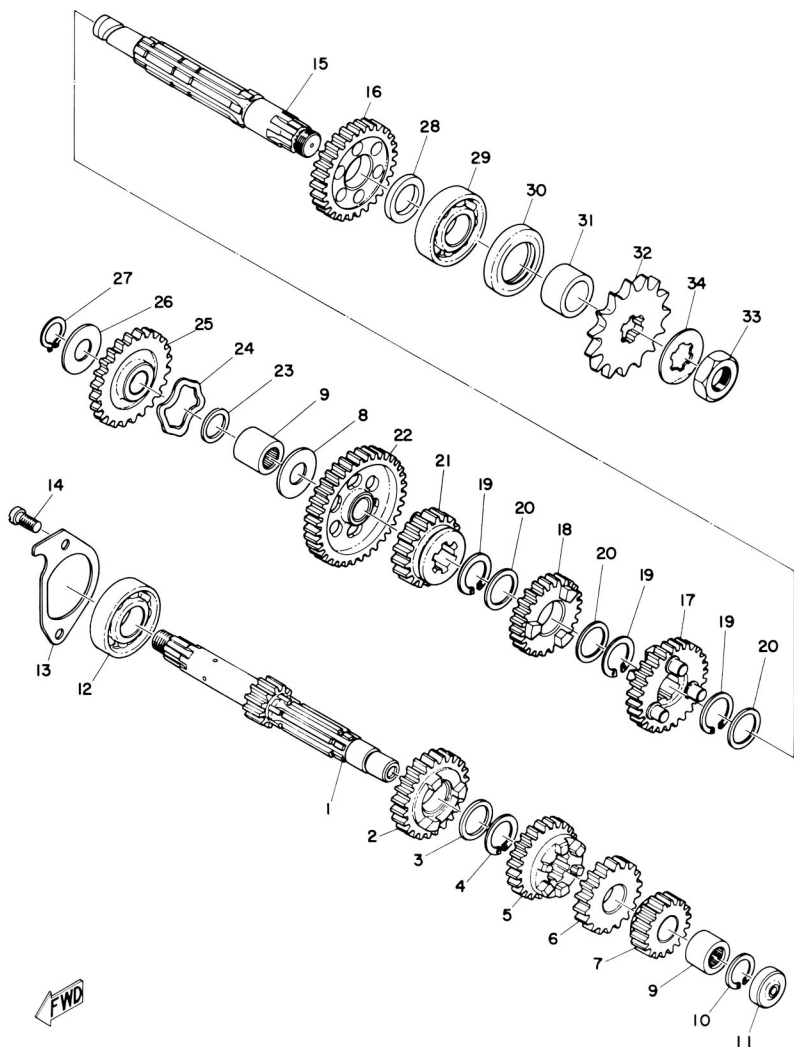




# CLUTCH

| Ref No. | Parts No.    | Parts Name            | Description  | Q'ty | S·R | Remarks |
|---------|--------------|-----------------------|--------------|------|-----|---------|
| 4- 0-1  | 183-16301-01 | CLUTCH ASS'Y          |              | 1    |     |         |
| 4- 1    | 183-16150-00 | . PRIMARY DRIVEN GEAR |              | 1    |     |         |
| 4- 2    | 132-16369-00 | . RING, friction      | COMP.        | 1    |     |         |
| 4- 3    | 93341-22302  | . BEARING, thrust     |              | 1    |     |         |
| 4- 4    | 131-16154-00 | . PLATE, thrust       | 17.2-37-2.0  | 1    |     |         |
| 4- 5    | 132-16371-02 | . BOSS, clutch        |              | 1    |     |         |
| 4- 6    | 137-16324-00 | . PLATE, clutch       |              | 5    |     |         |
| 4- 7    | 137-16367-00 | . RING, cushion       |              | 4    |     |         |
| 4- 8    | 132-16321-00 | . PLATE, friction     |              | 4    |     |         |
| 4- 9    | 132-16351-00 | . PLATE, pressure     |              | 1    |     |         |
| 4-10    | 132-16333-00 | . SPRING, clutch      |              | 5    |     |         |
| 4-11    | 137-16337-01 | . SCREW, spring       | ISO          | 5    |     |         |
| 4-12    | 137-16378-00 | WASHER, clutch boss   |              | 1    |     |         |
| 4-13    | 137-16377-00 | NUT, clutch boss      |              | 1    |     |         |
| 4-14    | 137-16356-00 | ROD, push (1)         |              | 1    |     |         |
| 4-15    | 183-16181-00 | SPACER                | 17-23-44.25  | 1    |     |         |
| 4-16    | 132-15631-00 | GEAR, kick pinion     | 19T          | 1    |     |         |
| 4-17    | 122-16164-00 | PLATE, thrust         | 17.2-30-2.0  | 1    |     |         |
| 4-18    | 93501-04004  | BALL                  | 1/4"         | 1    |     |         |
| 4-19    | 183-16357-00 | ROD, push             | 183.5g       | 1    |     |         |
| 4-20    | 241-16342-00 | LEVER, push           |              | 1    |     |         |
| 4-21    | 93104-11028  | OIL SEAL              | SO-10.5-10-3 | 1    |     |         |
| 4-22    | 241-16341-01 | SCREW, push           |              | 1    |     |         |
| 4-23    | 92801-06300  | NUT, lock             |              | 1    |     |         |
| 4-24    | 241-16343-00 | SCREW, adjusting      |              | 1    |     |         |
| 4-25    | 132-16345-00 | SCREW, lever return   |              | 1    |     |         |
| 4-26    | 132-16346-00 | HOOK, spring          |              | 1    |     |         |

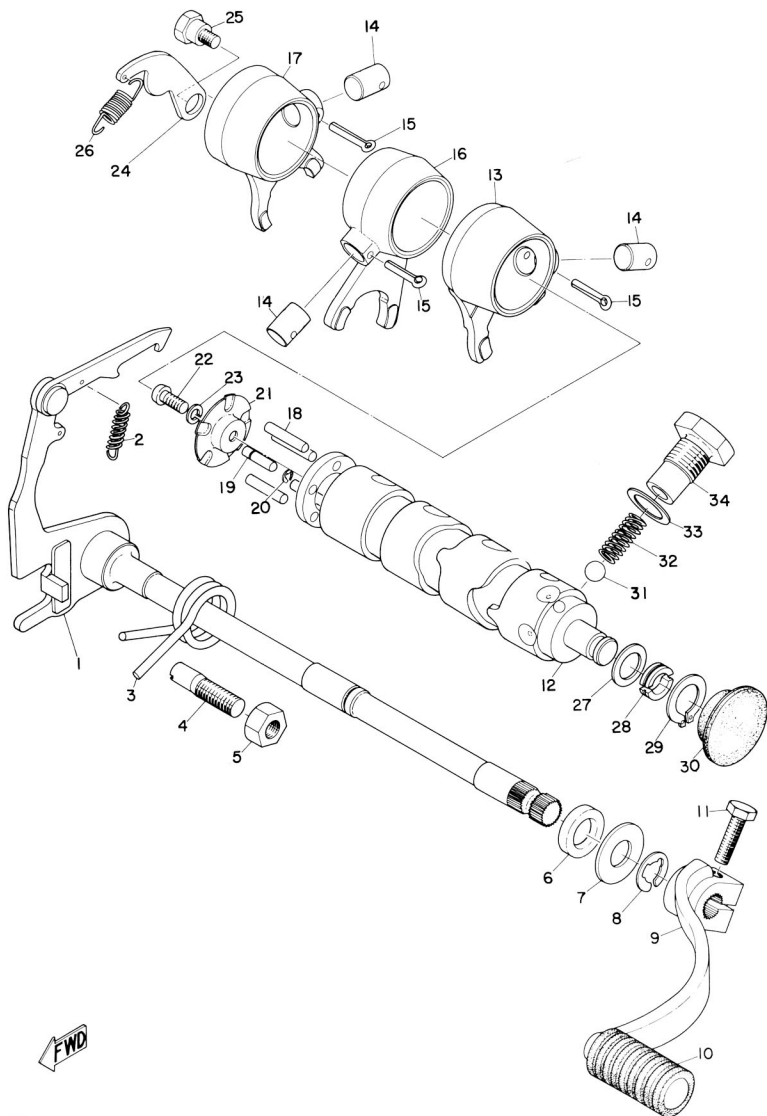
Fig. 5 TRANSMISSION



| Ref No. | Parts No.    | Parts Name           | Description                                   | Q'ty | S·R | Remarks |
|---------|--------------|----------------------|---|------|-----|---------|
| 5- 1    | 183-17411-00 | AXLE, main           | 11T   | 1    |     |         |
| 5- 2    | 183-17151-00 | GEAR, 5th pinion     | 25T   | 1    |     |         |
| 5- 3    | 132-17216-00 | WASHER, gear hold    | 20-25-1.0                                     | 1    |     |         |
| 5- 4    | 132-17414-00 | CLIP, main axle      |   | 1    |     |         |
| 5- 5    | 183-17141-00 | GEAR, 4th pinion     | 22T   | 1    |     |         |
| 5- 6    | 183-17131-00 | GEAR, 3rd pinion     | 20T   | 1    |     |         |
| 5- 7    | 183-17121-01 | GEAR, 2nd pinion     | 16T   | 1    |     |         |
| 5- 8    | 164-17417-00 | SHIM, drive axle     | 15.2-20- <sup>0.8</sup> <sub>1.0</sub><br>1.2 | 1    |     |         |
| 5- 9    | 93315-31501  | BEARING              |   | 2    |     |         |
| 5-10    | 93420-22026  | CIRCLIP              |   | 1    |     |         |
| 5-11    | 132-15389-00 | SEAL, push rod       |   | 1    |     |         |
| 5-12    | 93306-30301  | BEARING              | 6303  | 1    |     |         |
| 5-13    | 132-17471-02 | PLATE, bearing cover |   | 1    |     |         |
| 5-14    | 92501-06012  | SCREW, pan head      |   | 2    |     |         |
| 5-15    | 183-17421-00 | AXLE, drive          |   | 1    |     |         |
| 5-16    | 183-17221-01 | GEAR, 2nd wheel      | 29T   | 1    |     |         |
| 5-17    | 183-17231-00 | GEAR, 3rd wheel      | 26T   | 1    |     |         |
| 5-18    | 183-17241-00 | GEAR, 4th wheel      | 23T   | 1    |     |         |
| 5-19    | 132-17414-00 | CLIP, main axle      |   | 3    |     |         |
| 5-20    | 132-17216-00 | WASHER, gear hold    | 20-25-1.0                                     | 3    |     |         |
| 5-21    | 183-17251-00 | GEAR, 5th wheel      | 21T   | 1    |     |         |
| 5-22    | 183-17211-00 | GEAR, 1st wheel      | 35T   | 1    |     |         |
| 5-23    | 131-15653-00 | WASHER, plain        | 15.3-22-1.0                                   | 1    |     |         |
| 5-24    | 131-15643-00 | WASHER, wave         |   | 1    |     |         |
| 5-25    | 183-15651-00 | GEAR, kick idle      | 28T   | 1    |     |         |
| 5-26    | 164-17427-00 | SHIM, drive axle     | 15.2-30-1.0                                   | 1    |     |         |
| 5-27    | 93410-15005  | CIRCLIP              |   | 1    |     |         |
| 5-28    | 248-17429-00 | SPACER               |   | 1    |     |         |
| 5-29    | 93306-30401  | BEARING              | 6304  | 1    |     |         |
| 5-30    | 93102-28021  | OIL SEAL             | SD-28-44-7                                    | 1    |     |         |
| 5-31    | 102-17462-00 | COLLAR, distance     | 20-28-14.4                                    | 1    |     |         |
| 5-32    | 122-17461-30 | SPROCKET, drive      | 13T   | 1    |     | S. T. D |
|         | 122-17461-40 | SPROCKET, drive      | 14T   | 1    |     |         |
|         | 122-17461-50 | SPROCKET, drive      | 15T   | 1    |     |         |
| 5-33    | 102-17463-00 | NUT, sprocket        |   | 1    |     |         |
| 5-34    | 102-17464-00 | WASHER, sprocket     |   | 1    |     |         |

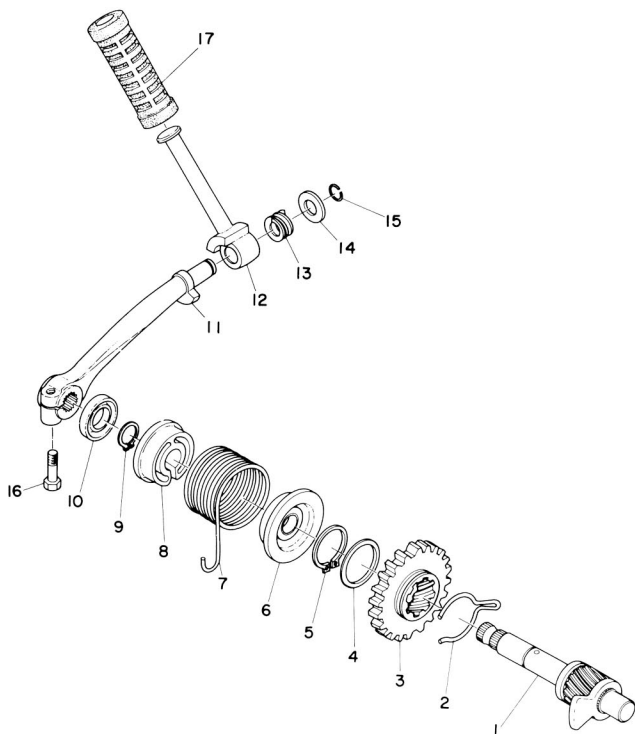


Fig. 6 SHIFTER



| Ref No. | Parts No.    | Parts Name           | Description | Q'ty | S·R | Remarks |
|---------|--------------|----------------------|-------------|------|-----|---------|
| 6- 1    | 183-18101-00 | CHANGE SHAFT ASS'Y   |             | 1    |     |         |
| 6- 2    | 132-18123-00 | SPRING, shift arm    |             | 1    |     |         |
| 6- 3    | 132-18124-00 | SPRING, shaft return |             | 1    |     |         |
| 6- 4    | 132-18133-00 | SCREW, adjusting     |             | 1    |     |         |
| 6- 5    | 98801-08100  | NUT                  | (ISO)       | 1    |     |         |
| 6- 6    | 93101-12004  | OIL SEAL             | S-12-22-5   | 1    |     |         |
| 6- 7    | 132-18137-00 | WASHER, change axle  | 12.1-26-1.6 | 1    |     |         |
| 6- 8    | 93430-10016  | CIRCLIP              |             | 1    |     |         |
| 6- 9    | 241-18111-00 | PEDAL, change        |             | 1    |     |         |
| 6-10    | 132-18113-01 | COVER, change pedal  |             | 1    |     |         |
| 6-11    | 91201-06020  | BOLT                 |             | 1    |     |         |
| 6- 0-1  | 241-18500-00 | SHIFTER ASS'Y        |             | 1    |     |         |
| 6-12    | 183-18541-01 | . CAM, shift         |             | 1    |     |         |
| 6-13    | 183-18511-00 | . FORK, shift (1)    |             | 1    |     |         |
| 6-14    | 164-18552-01 | . PIN, cam follower  |             | 3    |     |         |
| 6-15    | 91401-25020  | . PIN, cotter        |             | 3    |     |         |
| 6-16    | 183-18512-00 | . FORK, shift (2)    |             | 1    |     |         |
| 6-17    | 183-18513-00 | . FORK, shift (3)    |             | 1    |     |         |
| 6-18    | 93604-22050  | . PIN, dowel         | 4-21.8      | 4    |     |         |
| 6-19    | 174-18544-00 | . PIN, locating      |             | 1    |     |         |
| 6-20    | 93430-03014  | . CIRCLIP            |             | 1    |     |         |
| 6-21    | 164-18561-00 | . PLATE, side        |             | 1    |     |         |
| 6-22    | 98501-05012  | . SCREW, pan head    | (ISO)       | 1    |     |         |
| 6-23    | 92901-05100  | . WASHER, spring     |             | 1    |     |         |
| 6-24    | 132-18140-00 | STOPPER LEVER ASS'Y  |             | 1    |     |         |
| 6-25    | 132-18177-00 | BOLT, stopper        |             | 1    |     |         |
| 6-26    | 132-18143-00 | SPRING, stopper      |             | 1    |     |         |
| 6-27    | 164-18572-00 | WASHER, plain        | 12.1-18-1.0 | 1    |     |         |
| 6-28    | 164-18571-00 | HOLDER, shift cam    |             | 2    |     |         |
| 6-29    | 93440-15012  | CIRCLIP              |             | 1    |     |         |
| 6-30    | 132-18533-01 | PLUG, blind          |             | 1    |     |         |
| 6-31    | 93505-16006  | BALL                 | 1/16"       | 1    |     |         |
| 6-32    | 174-18558-00 | SPRING, neutral      | 14.5-21-15  | 1    |     |         |
| 6-33    | 137-15353-00 | GASKET               | 14.5-21-15  | 1    |     |         |
| 6-34    | 174-18578-00 | SCREW, spring        |             | 1    |     |         |

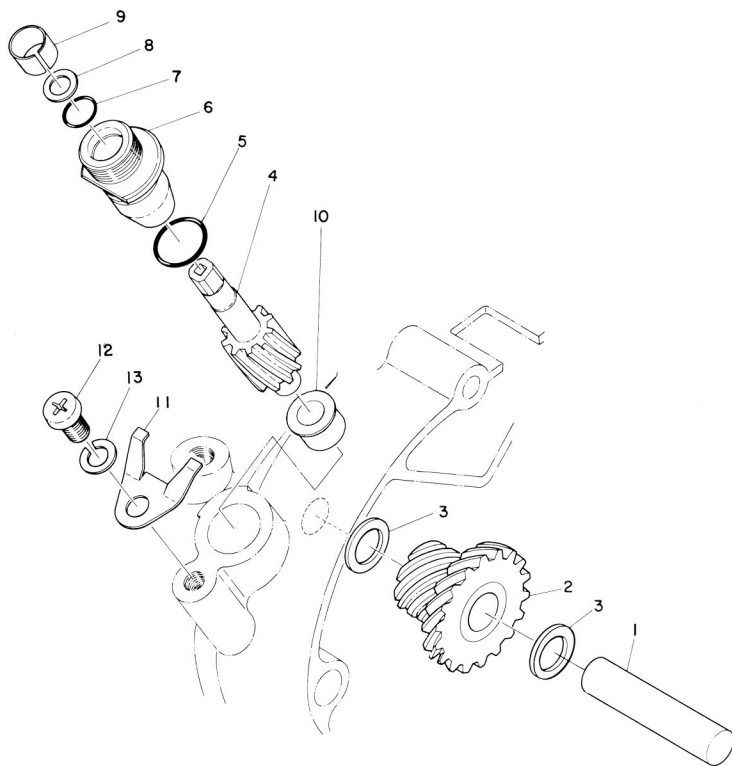
Fig. 7 KICK



| Ref No. | Parts No.       | Parts Name               | Description | Q'ty | S·R | Remarks |
|---------|-----------------|--------------------------|-------------|------|-----|---------|
| 7- 1    | 180-15660-00    | AXLE, kick               |             | 1    |     |         |
| 7- 2    | 180-15687-00    | CLIP, kick roller        |             | 1    |     |         |
| 7- 3    | 180-15641-00    | GEAR, kick               | 28T         | 1    |     |         |
| 7- 4    | 117-15644-00    | SHIM                     | 25.1-32-1.0 | 1    |     |         |
| 7- 5    | 93410-25017     | CIRCLIP                  | S25         | 1    |     |         |
| 7- 6    | 132-15664-00    | GUIDE, kick spring       |             | 1    |     |         |
| 7- 7    | 132-15665-00    | SPRING, kick             |             | 1    |     |         |
| 7- 8    | 132-15676-00    | COVER, kick spring       |             | 1    |     |         |
| 7- 9    | 93410-15005     | CIRCLIP                  | S15         | 1    |     |         |
| 7-10    | 93109-15001     | OIL SEAL                 | SDO-15-26-6 | 1    |     |         |
| 7- 0-1  | 132-15610-01-93 | KICK CRANK ASS'Y         |             | 1    |     |         |
| 7-11    | 132-15611-01    | . CRANK, kick            |             | 1    |     |         |
| 7-12    | 122-15612-01    | . LEVER, kick            |             | 1    |     |         |
| 7-13    | 214-15625-00    | . SPRING, kick crank (1) |             | 1    |     |         |
| 7-14    | 132-15616-00    | . WASHER, kick lever     | 10-18.2-2   | 1    |     |         |
| 7-15    | 132-15617-00    | . CLIP, kick lever       |             | 1    |     |         |
| 7-16    | 91101-06020     | BOLT                     |             | 1    |     |         |
| 7-17    | 156-15618-01    | COVER, kick lever        |             | 1    |     |         |



Fig. 8 TACHOMETER GEAR

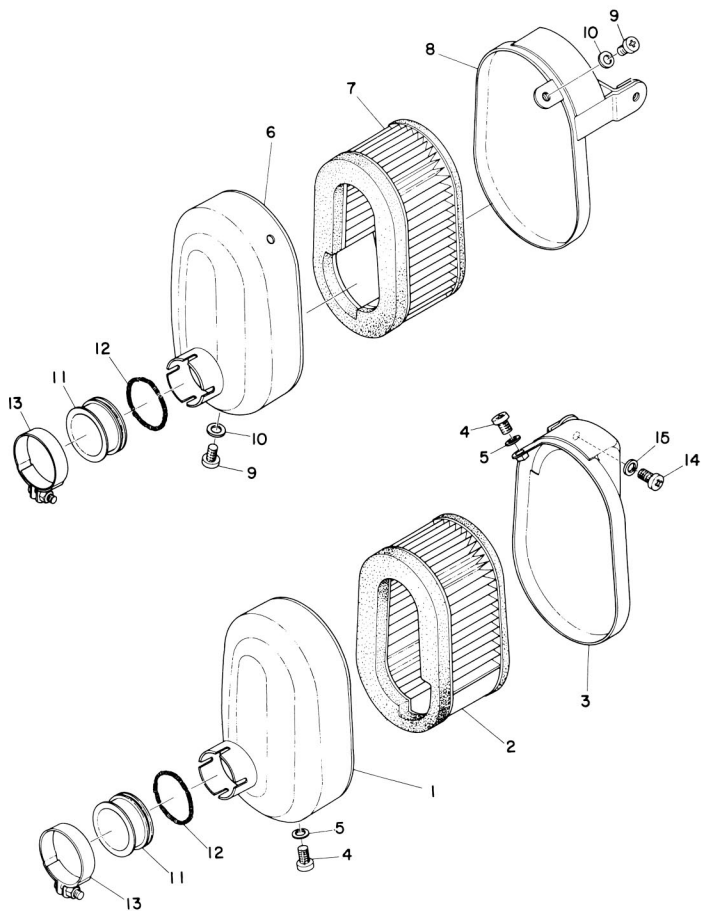




## TACHOMETER GEAR

| Ref No. | Parts No.    | Parts Name       | Description  | Q'ty | S-R | Remarks |
|---------|--------------|------------------|--------------|------|-----|---------|
| 8- 1    | 237-17861-00 | AXLE, drive gear |              | 1    |     |         |
| 8- 2    | 248-17831-01 | GEAR, drive      |              | 1    |     |         |
| 8- 3    | 248-17837-00 | SHIM             | 10.2-16-1.0  | 2    |     |         |
| 8- 4    | 248-17841-00 | GEAR, driven     |              | 1    |     |         |
| 8- 5    | 93210-13016  | O-RING           | 1.8-13       | 1    |     |         |
| 8- 6    | 214-17811-01 | HOUSING          |              | 1    |     |         |
| 8- 7    | 93210-07100  | O-RING           | 2.2-7.2      | 1    |     |         |
| 8- 8    | 214-17847-00 | SHIM             | 7.5-10.8-0.4 | 1    |     |         |
| 8- 9    | 214-17815-00 | BUSHING          |              | 1    |     |         |
| 8-10    | 214-17843-00 | BUSHING          |              | 1    |     |         |
| 8-11    | 214-17812-00 | STOPPER          |              | 1    |     |         |
| 8-12    | 92501-06010  | SCREW, pan head  |              | 1    |     |         |
| 8-13    | 92901-06100  | WASHER, spring   |              | 1    |     |         |

Fig. 9 AIR CLEANER

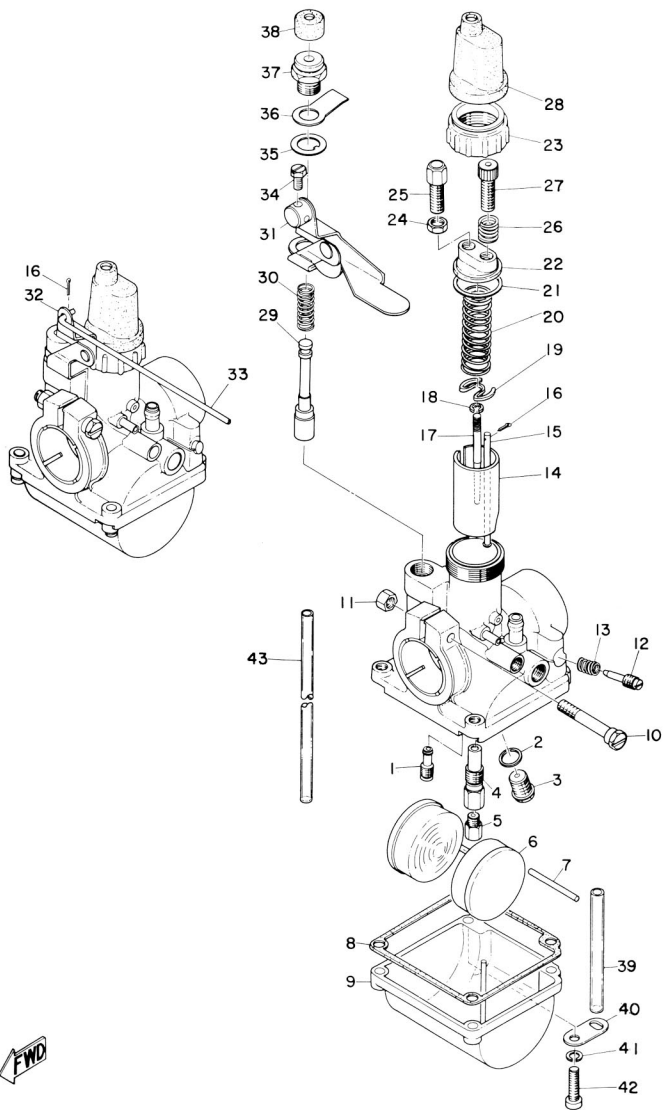


# AIR CLEANER

| Ref No. | Parts No.    | Parts Name                 | Description | Q'ty | S·R | Remarks |
|---------|--------------|----------------------------|-------------|------|-----|---------|
| 9- 1    | 241-14411-00 | CASE, air cleaner (L.H)    |             | 1    |     |         |
| 9- 2    | 241-14451-00 | ELEMENT, air cleaner (L.H) |             | 1    |     |         |
| 9- 3    | 241-14412-00 | CAP, case (L.H)            |             | 1    |     |         |
| 9- 4    | 92501-06008  | SCREW, pan head            |             | 2    |     |         |
| 9- 5    | 92901-06200  | WASHER, plain              |             | 2    |     |         |
| 9- 6    | 241-14421-00 | CASE, air cleaner (R.H)    |             | 1    |     |         |
| 9- 7    | 241-14461-00 | ELEMENT, air cleaner (R.H) |             | 1    |     |         |
| 9- 8    | 241-14422-00 | CAP, case (R.H)            |             | 1    |     |         |
| 9- 9    | 92501-06008  | SCREW, pan head            |             | 2    |     |         |
| 9-10    | 92901-06200  | WASHER, plain              |             | 2    |     |         |
| 9-11    | 241-14453-00 | JOINT                      |             | 2    |     |         |
| 9-12    | 241-14456-00 | BAND                       |             | 2    |     |         |
| 9-13    | 132-14455-00 | BAND, cleaner (1)          |             | 2    |     |         |
| 9-14    | 92501-06010  | SCREW, pan head            |             | 1    |     |         |
| 9-15    | 92901-06100  | WASHER, spring             |             | 1    |     |         |

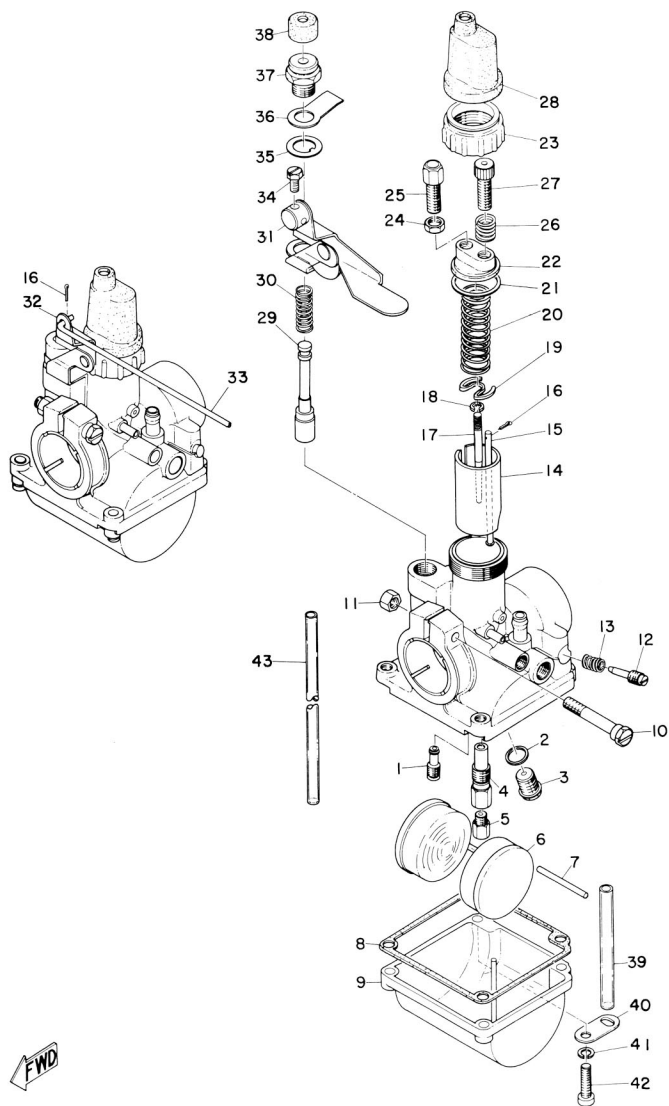


Fig. 10 CARBURETOR



| Ref No. | Parts No.    | Parts Name               | Description | Qty | S · R | Remarks |
|---------|--------------|--------------------------|-------------|-----|-------|---------|
| 10- 0-1 | 287-14101-60 | CARBURETOR ASS'Y (L.H)   | ISO         | 1   |       |         |
| 10- 0-2 | 287-14102-60 | CARBURETOR ASS'Y (R.H)   | ISO         | 1   |       |         |
| 10- 1   | 193-14142-20 | . JET, pilot             | #20 ISO     | 2   |       |         |
| 10- 2   | 127-14195-00 | . WASHER, valve seat     |             | 2   |       |         |
| 10- 3   | 127-14190-12 | . VALVE SEAT ASS'Y       | #1.2        | 2   |       |         |
| 10- 4   | 132-14141-10 | . NOZZLE, main           | E-0         | 2   |       |         |
| 10- 5   | 127-14143-12 | . JET, main              | #60         | 2   |       |         |
|         | 127-14143-14 | . JET, main              | #70         | 2   |       |         |
|         | 127-14143-16 | . JET, main              | #80         | 2   |       |         |
| 10- 6   | 102-14185-00 | . FLOAT                  |             | 2   |       |         |
| 10- 7   | 127-14186-00 | . PIN, float             |             | 2   |       |         |
| 10- 8   | 127-14184-00 | . GASKET, float chamber  |             | 2   |       |         |
| 10- 9   | 195-14181-00 | . BODY, float chamber    |             | 2   |       |         |
| 10-10   | 127-14125-00 | . SCREW, body fitting    |             | 2   |       |         |
| 10-11   | 127-14164-00 | . NUT                    |             | 2   |       |         |
| 10-12   | 127-14123-00 | . SCREW, air adjusting   |             | 2   |       |         |
| 10-13   | 127-14134-00 | . SPRING, air adjusting  |             | 2   |       |         |
| 10-14   | 287-14112-15 | . VALVE, throttle        | #1.5        | 2   |       |         |
| 10-15   | 127-14114-00 | . BAR, throttle          |             | 2   |       |         |
| 10-16   | 91405-12006  | . PIN, cotter            |             | 3   |       |         |
| 10-17   | 127-14116-09 | . NEEDLE                 | 3G9-4       | 2   |       |         |
| 10-18   | 127-14137-00 | . CLIP                   |             | 2   |       |         |
| 10-19   | 127-14136-00 | . SEAT, spring           |             | 2   |       |         |
| 10-20   | 287-14131-00 | . SPRING, throttle valve |             | 2   |       |         |
| 10-21   | 241-14126-00 | . PACKING                |             | 2   |       |         |
| 10-22   | 134-14158-00 | . TOP, mixing chamber    |             | 2   |       |         |
| 10-23   | 134-14168-00 | . CAP, mixing chamber    |             | 2   |       |         |
| 10-24   | 127-14161-00 | . NUT, wire adjusting    |             | 2   |       |         |
| 10-25   | 127-14124-23 | . SCREW, wire adjusting  | 23f         | 2   |       |         |
| 10-26   | 127-14133-00 | . SPRING, throttle stop  |             | 2   |       |         |
| 10-27   | 127-14121-00 | . SCREW, throttle        |             | 2   |       |         |
| 10-28   | 132-14169-00 | . CAP                    |             | 2   |       |         |
| 10-29   | 132-14171-00 | . PLUNGER, starter       |             | 2   |       |         |
| 10-30   | 132-14135-00 | . SPRING, plunger        |             | 2   |       |         |
| 10-31   | 196-14175-00 | . LEVER, starter (L.H)   |             | 1   |       |         |
| 10-32   | 132-14176-00 | . LEVER, starter (R.H)   |             | 1   |       |         |
| 10-33   | 132-14177-00 | . ROD, starter lever     |             | 1   |       |         |
| 10-34   | 193-14486-00 | . SCREW, rod             | ISO         | 1   |       |         |

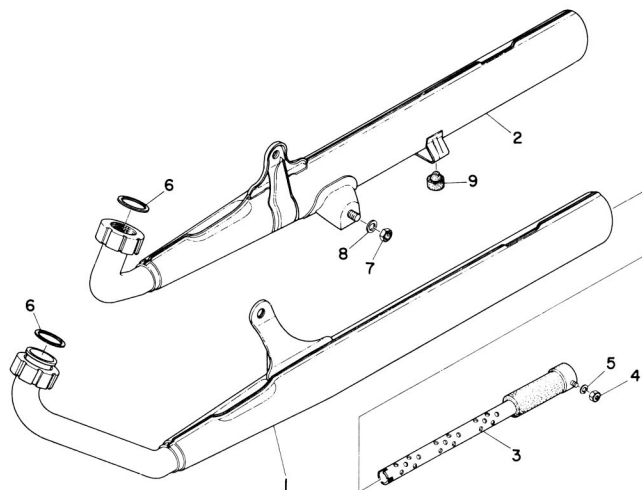
Fig. 10 CARBURETOR



| Ref No. | Parts No.    | Parts Name              | Description | Q'ty | S·R | Remarks |
|---------|--------------|-------------------------|-------------|------|-----|---------|
| 10-35   | 132-14179-00 | . WASHER, starter lever |             | 2    |     |         |
| 10-36   | 132-14178-00 | . PLATE, starter lever  |             | 1    |     |         |
| 10-37   | 132-14174-00 | . CAP, plunger          |             | 2    |     |         |
| 10-38   | 132-14173-00 | . COVER, plunger cap    |             | 2    |     |         |
| 10-39   | 183-14197-01 | . PIPE, air vent        | 220mm       | 2    |     |         |
| 10-40   | 132-14146-00 | . PLATE                 |             | 2    |     |         |
| 10-41   | 92901-04100  | . WASHER, spring        |             | 8    |     |         |
| 10-42   | 98501-04018  | . SCREW, pan head       | (ISO)       | 8    |     |         |
| 10-43   | 183-14196-00 | . PIPE, over flow       | 160mm       | 2    |     |         |



Fig. 11 MUFLER

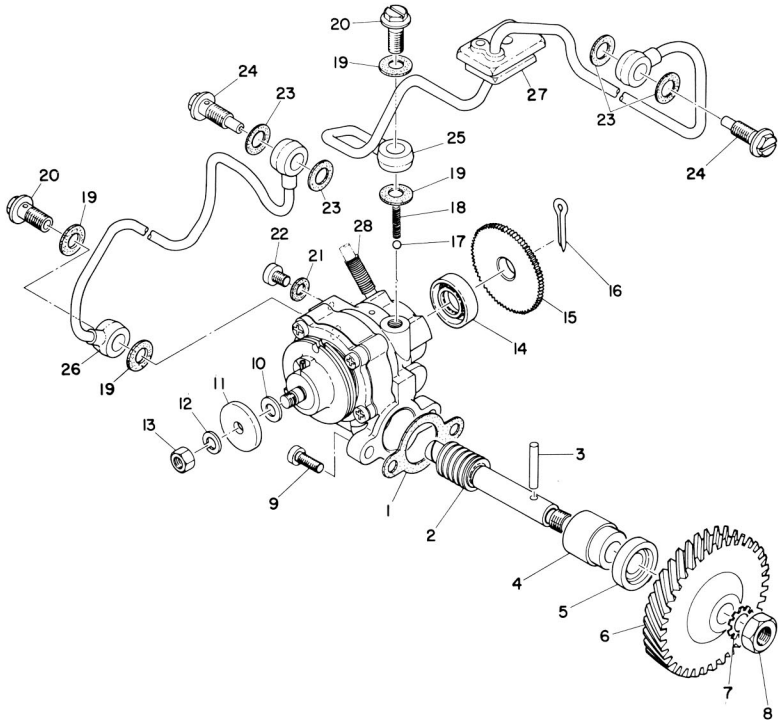




# MUFFLER

| Ref No. | Parts No.    | Parts Name               | Description | Q'ty | S·R | Remarks |
|---------|--------------|--------------------------|-------------|------|-----|---------|
| 11- 1   | 241-14610-00 | EXHAUST PIPE ASS'Y (L,H) |             | 1    |     |         |
| 11- 2   | 241-14620-00 | EXHAUST PIPE ASS'Y (R,H) |             | 1    |     |         |
| 11- 3   | 201-14753-01 | . SILENCER               |             | 2    |     |         |
| 11- 4   | 98801-05100  | . NUT                    | (ISO)       | 2    |     |         |
| 11- 5   | 92901-05100  | . WASHER, spring         |             | 2    |     |         |
| 11- 6   | 132-14613-00 | GASKET, exhaust pipe     |             | 2    |     |         |
| 11- 7   | 98801-08100  | NUT                      | (ISO)       | 2    |     |         |
| 11- 8   | 92901-08100  | WASHER, spring           |             | 2    |     |         |
| 11- 9   | 102-27114-00 | STOPPER, main stand      |             | 1    |     |         |

Fig. 12 OIL PUMP

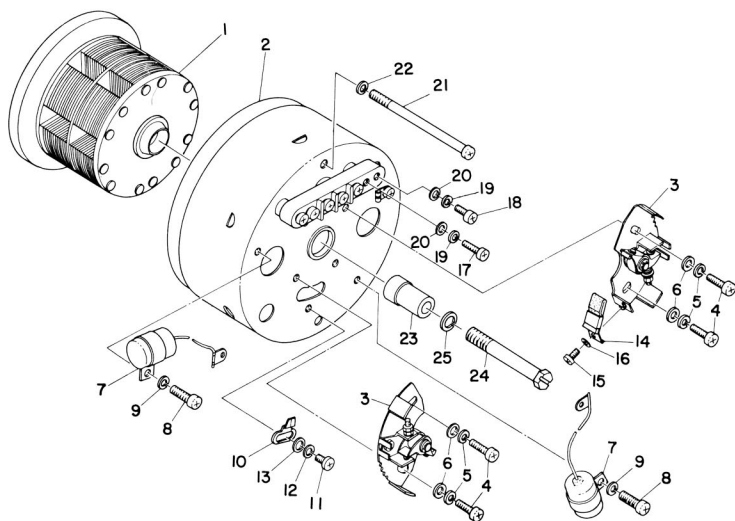


# OIL PUMP

| Ref No. | Parts No.    | Parts Name               | Description | Q'ty | S·R | Remarks |
|---------|--------------|--------------------------|-------------|------|-----|---------|
| 12- 1   | 126-13116-00 | GASKET, pump case        |             | 1    |     |         |
| 12- 2   | 132-13175-01 | SHAFT, worm              |             | 1    |     |         |
| 12- 3   | 93603-22028  | PIN, dowel               | 3-22        | 1    |     |         |
| 12- 4   | 137-13176-00 | METAL, worm shaft outer  |             | 1    |     |         |
| 12- 5   | 93101-10002  | OIL SEAL                 | S10-22-7    | 1    |     |         |
| 12- 6   | 132-13178-01 | GEAR, drive              |             | 1    |     |         |
| 12- 7   | 92901-08400  | WASHER, tooth            |             | 1    |     |         |
| 12- 8   | 98801-08300  | NUT                      | (ISO)       | 1    |     |         |
| 12- 9   | 98501-05015  | SCREW, pan head          | (ISO)       | 2    |     |         |
| 12- 0-1 | 132-13101-01 | OIL PUMP ASS'Y           | (ISO)       | 1    |     |         |
| 12-10   | 137-13147-00 | . SHIM (2)               | 5,8-10-0.1  | 1    |     |         |
| 12-11   | 137-13138-01 | . PLATE, adjusting       |             | 1    |     |         |
| 12-12   | 92901-05100  | . WASHER, spring         |             | 1    |     |         |
| 12-13   | 98801-05200  | . NUT                    | (ISO)       | 1    |     |         |
| 12-14   | 93101-10001  | . OIL SEAL               | S10-21-5    | 1    |     |         |
| 12-15   | 137-13128-00 | . PLATE, starter         |             | 1    |     |         |
| 12-16   | 91401-12018  | . PIN, cotter            |             | 1    |     |         |
| 12-17   | 93505-32002  | . BALL                   | 5/32"       | 2    |     |         |
| 12-18   | 137-13169-00 | . SPRING, check ball     |             | 2    |     |         |
| 12-19   | 137-13167-00 | . GASKET, banjo bolt (1) | 6-13-0.5    | 4    |     |         |
| 12-20   | 137-13165-00 | . BOLT, banjo (1)        |             | 2    |     |         |
| 12-21   | 137-13187-00 | . GASKET, breather       |             | 1    |     |         |
| 12-22   | 98901-04008  | . SCREW, bind            | (ISO)       | 1    |     |         |
| 12-23   | 137-13167-00 | GASKET, banjo bolt (1)   |             | 4    |     |         |
| 12-24   | 132-13166-00 | BOLT, banjo (2)          |             | 2    |     |         |
| 12-25   | 252-13161-00 | PIPE, delivery (L,H)     |             | 1    |     |         |
| 12-26   | 252-13171-00 | PIPE, delivery (R,H)     |             | 1    |     |         |
| 12-27   | 132-13174-00 | HOLDER, oil pipe         |             | 1    |     |         |
| 12-28   | 126-13184-00 | SPRING, oil pipe         |             | 1    |     |         |



Fig. 13 A. C. MAGNETO GENERATOR



# A. C. MAGNETO GENERATOR

| Ref No. | Parts No.    | Parts Name              | Description | Q'ty | S·R | Remarks |
|---------|--------------|-------------------------|-------------|------|-----|---------|
| 13- 0-1 | 241-81400-11 | A. C MAGNET GENERATOR   |             | 1    |     |         |
| 13- 1   | 241-81450-11 | . ROTOR ASS'Y           | ASS'Y       | 1    |     |         |
| 13- 2   | 183-81410-12 | . STATOR ASS'Y          |             | 1    |     |         |
| 13- 3   | 183-81421-10 | . CONTACT BREAKER ASS'Y |             | 2    |     |         |
| 13- 4   | 98501-04008  | . . SCREW, pan head     | (ISO)       | 4    |     |         |
| 13- 5   | 92901-04100  | . . WASHER, spring      |             | 4    |     |         |
| 13- 6   | 92901-04200  | . . WASHER, plain       |             | 4    |     |         |
| 13- 7   | 183-81425-10 | . . CONDENSER           |             | 2    |     |         |
| 13- 8   | 98501-04008  | . . SCREW, pan head     | (ISO)       | 2    |     |         |
| 13- 9   | 92901-04100  | . . WASHER, spring      |             | 2    |     |         |
| 13-10   | 183-81432-10 | . . PLATE, timing       |             | 1    |     |         |
| 13-11   | 98501-04008  | . . SCREW, pan head     | (ISO)       | 1    |     |         |
| 13-12   | 92901-04100  | . . WASHER, spring      |             | 1    |     |         |
| 13-13   | 92901-04200  | . . WASHER, plain       |             | 1    |     |         |
| 13-14   | 183-81431-10 | . . LUBRICATOR          |             | 1    |     |         |
| 13-15   | 98501-04008  | . . SCREW, pan head     | (ISO)       | 1    |     |         |
| 13-16   | 92901-04100  | . . WASHER, spring      |             | 1    |     |         |
| 13-17   | 98501-04015  | . . SCREW, pan head     | (ISO)       | 2    |     |         |
| 13-18   | 98501-04010  | . . SCREW, pan head     | (ISO)       | 5    |     |         |
| 13-19   | 92901-04100  | . . WASHER, spring      |             | 7    |     |         |
| 13-20   | 92901-04200  | . . WASHER, plain       |             | 7    |     |         |
| 13-21   | 183-81435-10 | . SCREW, stator         | 5-82 (ISO)  | 2    |     |         |
| 13-22   | 92901-05100  | . WASHER, spring        |             | 2    |     |         |
| 13-23   | 183-81451-12 | . CAM                   |             | 1    |     |         |
| 13-24   | 183-81452-10 | . BOLT                  | 7d          | 1    |     |         |
| 13-25   | 92901-08100  | . WASHER, spring        |             | 1    |     |         |



# CHASSIS

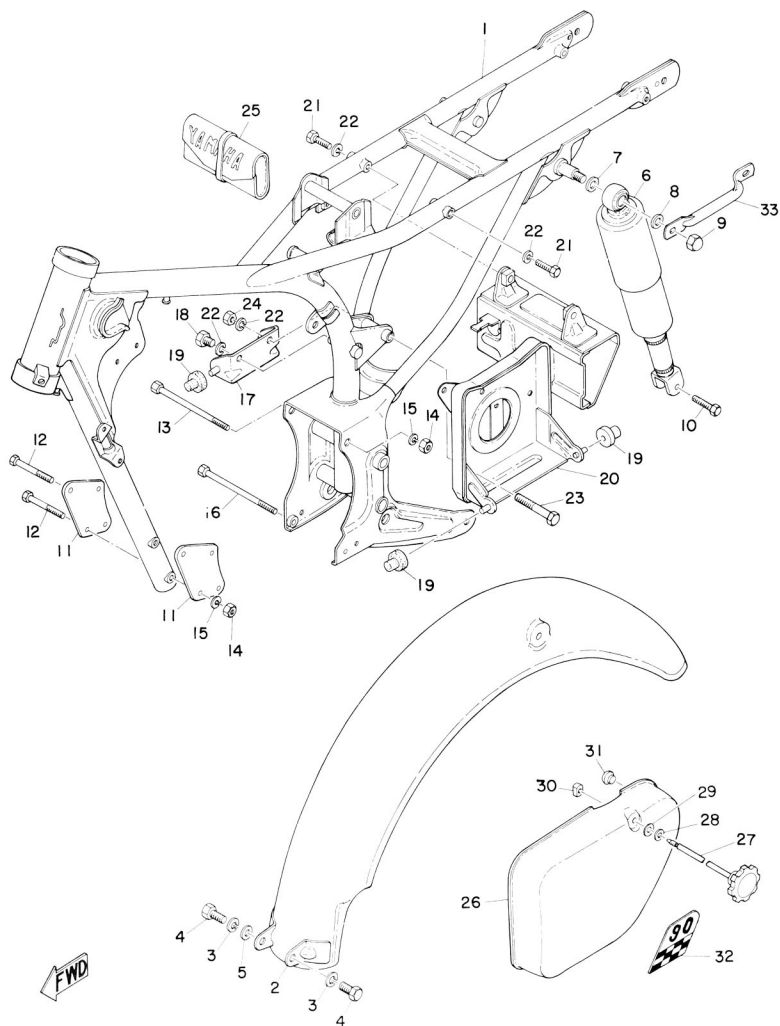








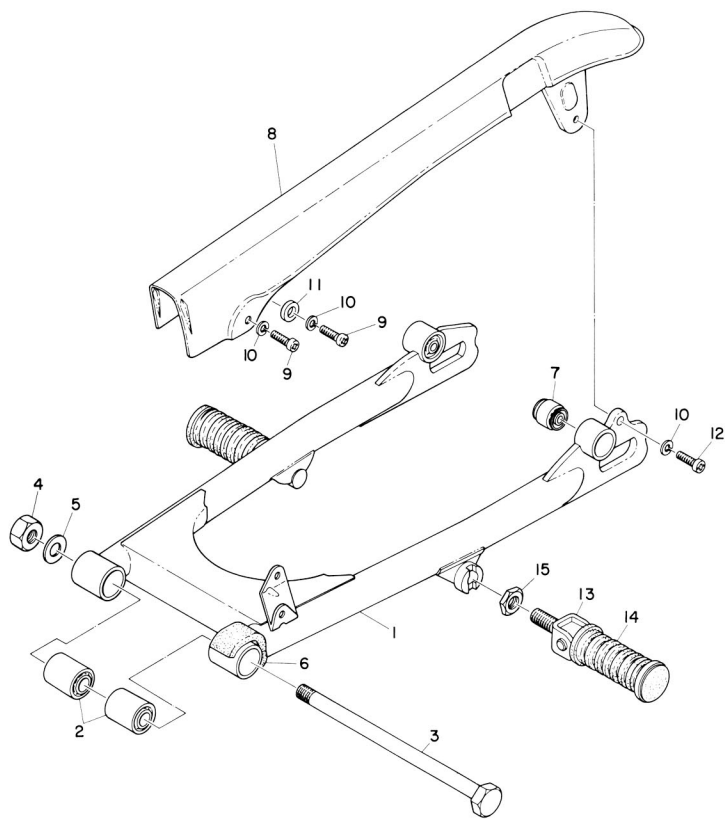
Fig. 14 FRAME



| Ref No. | Parts No.       | Parts Name                | Description | Q'ty | S·R | Remarks            |
|---------|-----------------|---------------------------|-------------|------|-----|--------------------|
| 14- 1   | 241-21110-00-33 | FRAME COMP.               |             | 1    |     |                    |
| 14- 2   | 183-21610-00-93 | REAR FENDER COMP.         |             | 1    |     |                    |
| 14- 3   | 92901-08100     | WASHER, spring            |             | 2    |     |                    |
| 14- 4   | 97201-08012     | BOLT                      | (ISO)       | 2    |     |                    |
| 14- 5   | 92901-08200     | WASHER, plain             |             | 1    |     |                    |
| 14- 6   | 287-22210-30-65 | REAR CUSHION ASS'Y        |             | 2    |     | Californian Orange |
| 14- 7   | 135-2243-00     | WASHER, rear cushion      | 14.8-27-2   | 2    |     |                    |
| 14- 8   | 136-22243-00    | WASHER, rear cushion      | 10.5-27-2   | 2    |     |                    |
| 14- 9   | 92803-10700     | NUT, crown                |             | 2    |     |                    |
| 14-10   | 164-22241-00    | BOLT, rear cushion        |             | 2    |     |                    |
| 14-11   | 183-21315-00    | STAY, engine front        |             | 2    |     |                    |
| 14-12   | 97101-08050     | BOLT                      | (ISO)       | 4    |     |                    |
| 14-13   | 97101-08110     | BOLT                      | (ISO)       | 1    |     |                    |
| 14-14   | 98801-08100     | NUT                       | (ISO)       | 5    |     |                    |
| 14-15   | 92901-08100     | WASHER, spring            |             | 5    |     |                    |
| 14-16   | 116-21483-00    | BOLT, engine mounting (3) | 8-130       | 1    |     |                    |
| 14-17   | 183-21797-00    | HINGE, oil tank           |             | 1    |     |                    |
| 14-18   | 97201-08010     | BOLT                      | (ISO)       | 1    |     |                    |
| 14-19   | 174-21746-00    | BUSHING, rubber           |             | 4    |     |                    |
| 14-20   | 183-21170-01-33 | BOX COMP.                 |             | 1    |     |                    |
| 14-21   | 97201-08040     | BOLT                      | (ISO)       | 2    |     |                    |
| 14-22   | 92901-08100     | WASHER, spring            |             | 4    |     |                    |
| 14-23   | 97201-08060     | BOLT                      | (ISO)       | 1    |     |                    |
| 14-24   | 98801-08100     | NUT                       | (ISO)       | 1    |     |                    |
| 14-25   | 206-28100-00    | TOOL ASS'Y                |             | 1    |     |                    |
| 14-26   | 241-21711-00-65 | COVER, side               |             | 1    |     | Californian Orange |
| 14-27   | 183-21714-00    | KNOB, side cover          |             | 1    |     |                    |
| 14-28   | 241-21715-00    | WASHER, special           |             | 1    |     |                    |
| 14-29   | 92901-06200     | WASHER, plain             |             | 1    |     |                    |
| 14-30   | 136-21713-00    | NUT, latch                |             | 1    |     |                    |
| 14-31   | 137-21778-00    | DAMPER, oil tank          |             | 1    |     |                    |
| 14-32   | 241-21787-00    | EMBLEM                    |             | 1    |     |                    |
| 14-33   | 183-21165-00    | HANDLE, standing          |             | 1    |     |                    |



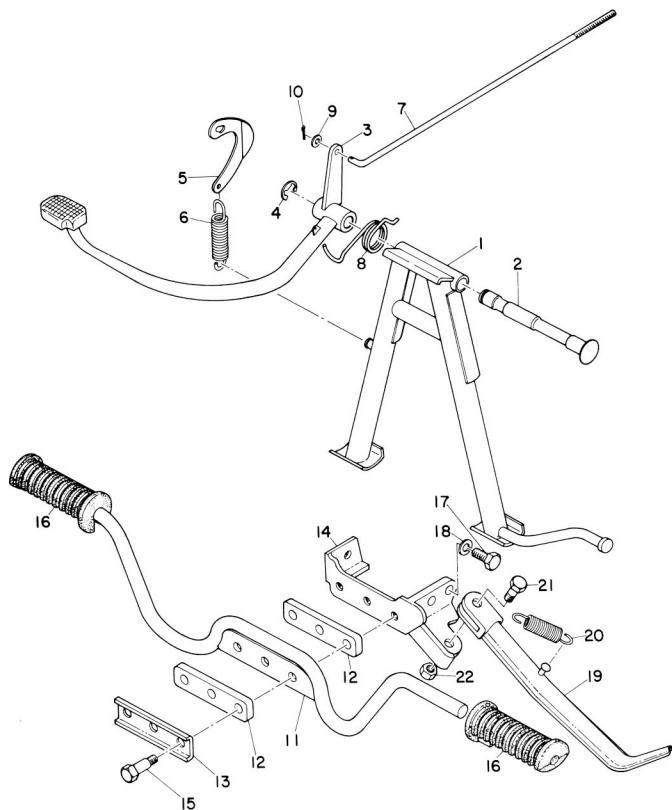
Fig. 15 REAR ARM & CHAIN CASE



## REAR ARM & CHAIN CASE

| Ref No. | Parts No.       | Parts Name             | Description | Q'ty | S·R | Remarks |
|---------|-----------------|------------------------|-------------|------|-----|---------|
| 15- 1   | 241-22110-00-33 | REAR ARM COMP.         |             | 1    |     |         |
| 15- 2   | 102-22123-00    | BUSHING, rear arm      |             | 2    |     |         |
| 15- 3   | 241-22141-00    | SHAFT, pivot           |             | 1    |     |         |
| 15- 4   | 92801-10200     | NUT                    |             | 1    |     |         |
| 15- 5   | 92901-10200     | WASHER, plain          |             | 1    |     |         |
| 15- 6   | 183-22151-00    | SEAL, guard            |             | 1    |     |         |
| 15- 7   | 164-22216-00    | BUSHING, rear cushion  |             | 2    |     |         |
| 15- 8   | 183-22311-01-93 | CASE, chain (1)        |             | 1    |     |         |
| 15- 9   | 92501-06010     | SCREW, pan head        |             | 2    |     |         |
| 15-10   | 92901-06100     | WASHER, spring         |             | 3    |     |         |
| 15-11   | 136-22316-00    | WASHER, chain case     | 6.5-15-1.2  | 1    |     |         |
| 15-12   | 92501-06012     | SCREW, pan head        |             | 1    |     |         |
| 15-13   | 120-27430-02    | REAR FOOTREST ASS'Y    | (ISO)       | 2    |     |         |
| 15-14   | 120-27433-00    | . COVER, rear footrest |             | 2    |     |         |
| 15-15   | 206-27436-00    | NUT, rear footrest     | (ISO)       | 2    |     |         |

Fig. 16 STAND, FOOT REST & REAR BRAKE PEDAL

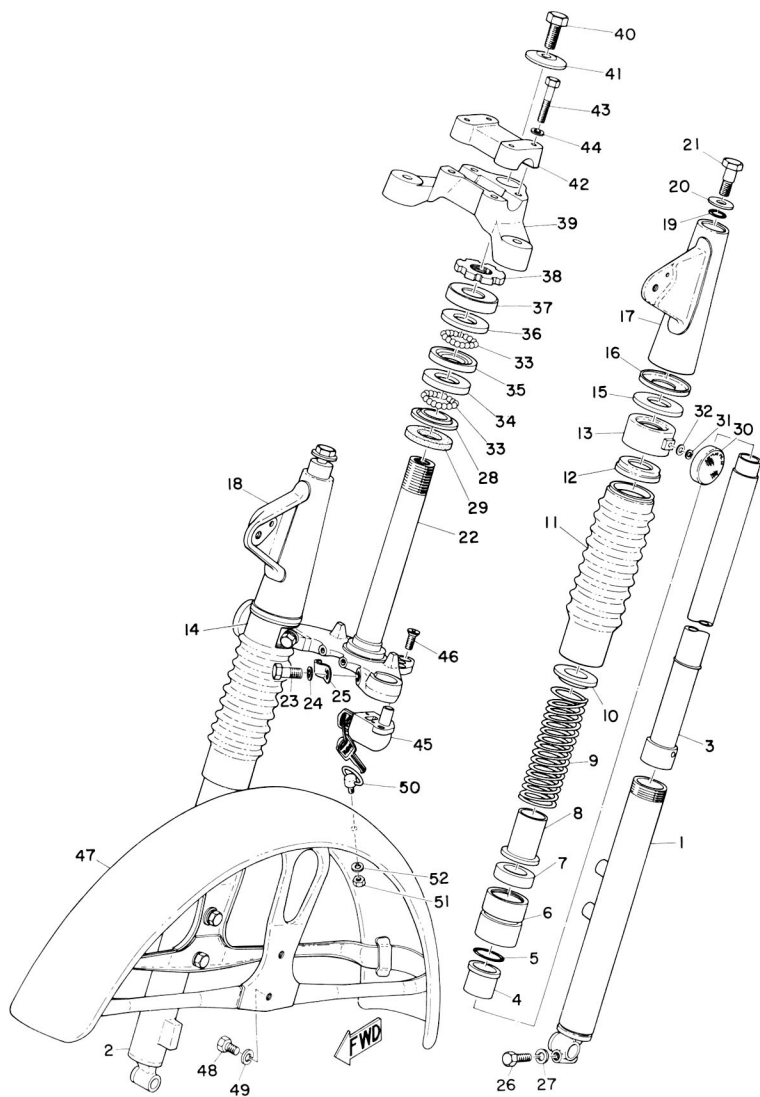


# STAND, FOOT REST & REAR BRAKE PEDAL

| Ref No. | Parts No.    | Parts Name         | Description | Q'ty | S·R | Remarks |
|---------|--------------|--------------------|-------------|------|-----|---------|
| 16- 1   | 183-27111-00 | STAND, main        |             | 1    |     |         |
| 16- 2   | 122-27112-00 | SHAFT, main stand  |             | 1    |     |         |
| 16- 3   | 183-27211-00 | PEDAL, brake       |             | 1    |     |         |
| 16- 4   | 93430-12008  | CIRCLIP            |             | 1    |     |         |
| 16- 5   | 183-27115-00 | LINK, main stand   |             | 1    |     |         |
| 16- 6   | 122-27116-00 | SPRING, main stand |             | 1    |     |         |
| 16-17   | 241-27231-00 | ROD, brake         |             | 1    |     |         |
| 16- 8   | 183-27216-00 | SPRING, return     |             | 1    |     |         |
| 16- 9   | 92901-06200  | WASHER, plain      |             | 1    |     |         |
| 16-10   | 91401-20012  | PIN, cotter        |             | 1    |     |         |
| 16-11   | 183-27411-00 | FOOTREST           |             | 1    |     |         |
| 16-12   | 164-27414-00 | DAMPER, footrest   |             | 2    |     |         |
| 16-13   | 164-27417-00 | WASHER, footrest   |             | 1    |     |         |
| 16-14   | 183-27412-01 | BRACKET, footrest  |             | 1    |     |         |
| 16-15   | 132-27416-00 | BOLT, footrest     |             | 3    |     |         |
| 16-16   | 122-27413-00 | COVER, footrest    |             | 2    |     |         |
| 16-17   | 97201-08020  | BOLT               | (ISO)       | 1    |     |         |
| 16-18   | 92901-08100  | WASHER, spring     |             | 1    |     |         |
| 16-19   | 183-27311-01 | STAND, side        |             | 1    |     |         |
| 16-20   | 150-27316-00 | SPRING, side stand |             | 1    |     |         |
| 16-21   | 122-27317-01 | BOLT, side stand   |             | 1    |     |         |
| 16-22   | 98801-08300  | NUT                | (ISO)       | 1    |     |         |



Fig. 17 FRONT FORK & FRONT FENDER

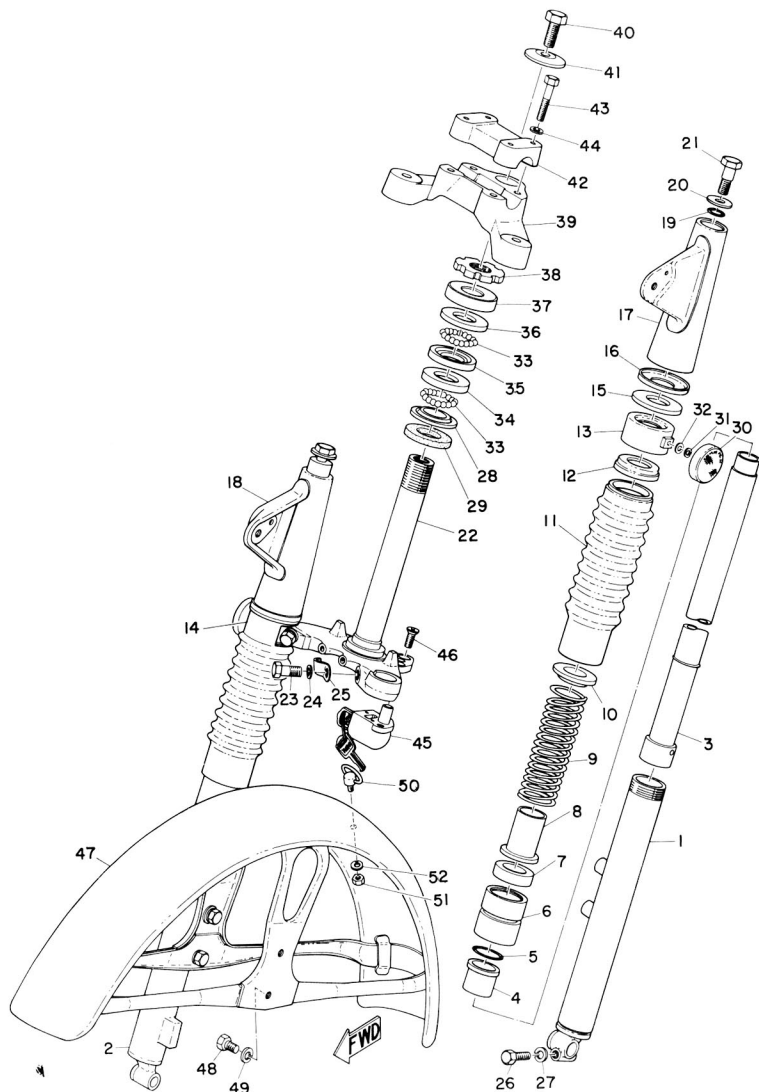




## FRONT FORK & FRONT FENDER

| Ref No. | Parts No.       | Parts Name            | Description | Q'ty | S-R | Remarks            |
|---------|-----------------|-----------------------|-------------|------|-----|--------------------|
| 17- 0-1 | 287-23100-60-65 | FRONT FORK ASS'Y      |             | 1    |     | Californian Orange |
| 17- 1   | 241-23126-40-35 | . TUBE, outer (L.H)   |             | 1    |     | Silver             |
| 17- 2   | 241-23136-40-35 | . TUBE, outer (R.H)   |             | 2    |     | Silver             |
| 17- 3   | 241-23124-40    | . TUBE, inner         |             | 2    |     |                    |
| 17- 4   | 122-23125-00    | . METAL, slide        |             | 2    |     |                    |
| 17- 5   | 122-23147-00    | . O-RING              |             | 2    |     |                    |
| 17- 6   | 212-23150-40    | . OUTER NUT COMP.     |             | 2    |     |                    |
| 17- 7   | 122-23145-00    | . . OIL SEAL          |             | 2    |     |                    |
| 17- 8   | 122-23143-00    | . SEAT, spring under  |             | 2    |     |                    |
| 17- 9   | 241-23141-40    | . SPRING, fork        |             | 2    |     |                    |
| 17-10   | 124-23142-00    | . SEAT, spring upper  |             | 2    |     |                    |
| 17-11   | 183-23191-40    | . BOOT                |             | 2    |     |                    |
| 17-12   | 183-23193-40    | . GUIDE               |             | 2    |     |                    |
| 17-13   | 245-23122-60    | . COVER, outer (L.H)  |             | 1    |     |                    |
| 17-14   | 245-23132-60    | . COVER, outer (R.H)  |             | 1    |     |                    |
| 17-15   | 183-23163-00    | . PACKING             |             | 2    |     |                    |
| 17-16   | 183-23116-00    | . GUIDE, cover under  |             | 2    |     |                    |
| 17-17   | 241-23121-40-65 | . COVER, upper (L.H)  |             | 1    |     | Californian Orange |
| 17-18   | 241-23131-40-65 | . COVER, upper (R.H)  |             | 1    |     | Californian Orange |
| 17-19   | 122-23114-00    | . PACKING (O-RING)    |             | 2    |     |                    |
| 17-20   | 241-23112-40    | . WASHER, cap         |             | 2    |     |                    |
| 17-21   | 241-23111-40    | . BOLT, cap           |             | 2    |     |                    |
| 17-22   | 241-23340-40    | . UNDER BRACKET COMP. |             | 1    |     |                    |
| 17-23   | 122-23346-00    | . BOLT, under bracket |             | 2    |     |                    |
| 17-24   | 92901-10100     | . WASHER, spring      |             | 2    |     |                    |
| 17-25   | 183-23318-00    | . HOLDER, wire        |             | 1    |     |                    |
| 17-26   | 97201-08025     | . BOLT                | (ISO)       | 1    |     |                    |
| 17-27   | 92901-08100     | . WASHER, spring      |             | 1    |     |                    |
| 17-28   | 156-23411-00    | . RACE, ball (1)      |             | 1    |     |                    |
| 17-29   | 164-23462-00    | SEAL, dust            |             | 1    |     |                    |
| 17-30   | 233-85111-00    | REFLECTOR (1)         | (ISO)       | 2    |     |                    |
| 17-31   | 92901-05100     | WASHER, spring        |             | 2    |     |                    |
| 17-32   | 92901-05200     | WASHER, plain         |             | 2    |     |                    |
| 17-33   | 93501-04004     | BALL                  | 1/4"        | 38   |     |                    |
| 17-34   | 156-23412-00    | RACE, ball (2)        |             | 1    |     |                    |
| 17-35   | 183-23412-00    | RACE, ball (2)        |             | 1    |     |                    |
| 17-36   | 183-23411-00    | RACE, ball (1)        |             | 1    |     |                    |
| 17-37   | 136-23415-00    | COVER, ball race      |             | 1    |     |                    |

Fig. 17 FRONT FORK & FRONT FENDER

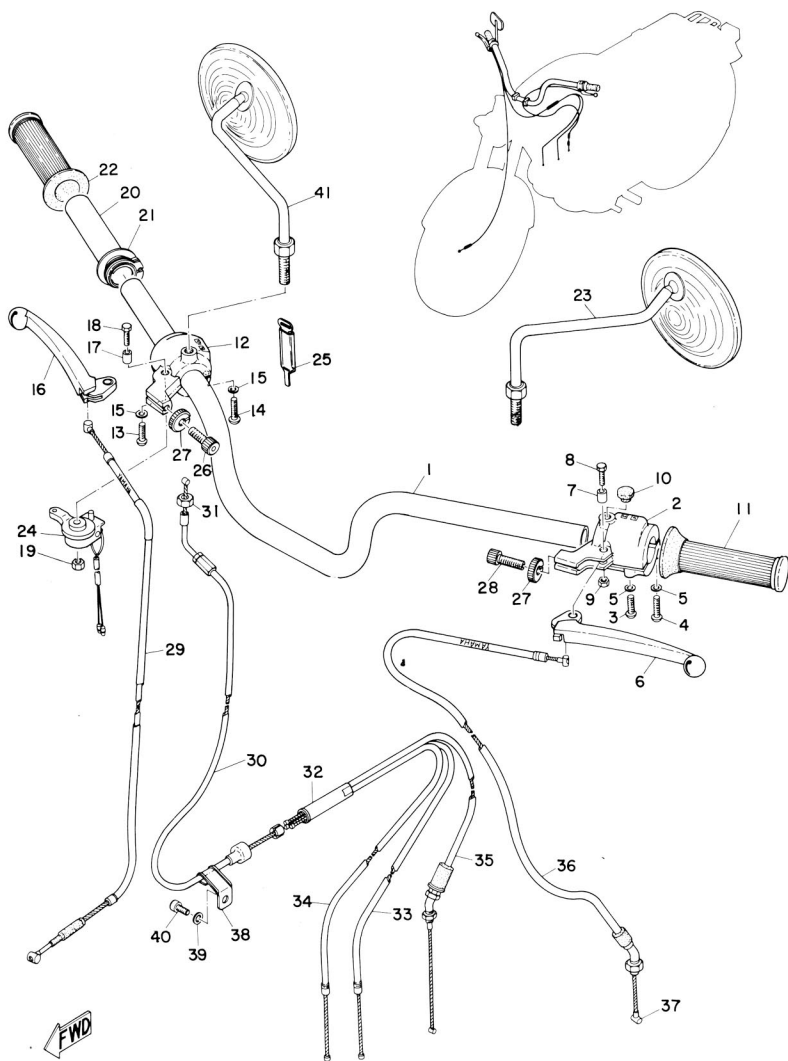


# FRONT FORK & FRONT FENDER

| Ref No. | Parts No.       | Parts Name           | Description | Q'ty | S·R | Remarks |
|---------|-----------------|----------------------|-------------|------|-----|---------|
| 17-38   | 138-23454-00    | NUT, fitting         |             | 1    |     |         |
| 17-39   | 183-23435-00    | CROWN, handle        |             | 1    |     |         |
| 17-40   | 122-23451-00    | BOLT, fitting        |             | 1    |     |         |
| 17-41   | 122-23443-00    | WASHER, crown        |             | 1    |     |         |
| 17-42   | 164-23441-00    | HOLDER, handle upper |             | 1    |     |         |
| 17-43   | 97203-08035     | BOLT                 | (ISO)       | 4    |     |         |
| 17-44   | 92901-08100     | WASHER, spring       |             | 4    |     |         |
| 17-45   | 137-23480-00    | STEERING LOCK ASS'Y  |             | 1    |     |         |
| 17-46   | 92701-06015     | SCREW, flat head     |             | 2    |     |         |
| 17-47   | 183-21510-00-93 | FRONT FENDER COMP.   |             | 1    |     |         |
| 17-48   | 97201-08010     | BOLT                 | (ISO)       | 4    |     |         |
| 17-49   | 92901-08100     | WASHER, spring       |             | 4    |     |         |
| 17-50   | 174-21518-00    | HOLDER, wire         |             | 1    |     |         |
| 17-51   | 92801-06100     | NUT                  |             | 1    |     |         |
| 17-52   | 92901-06100     | WASHER, spring       |             | 1    |     |         |



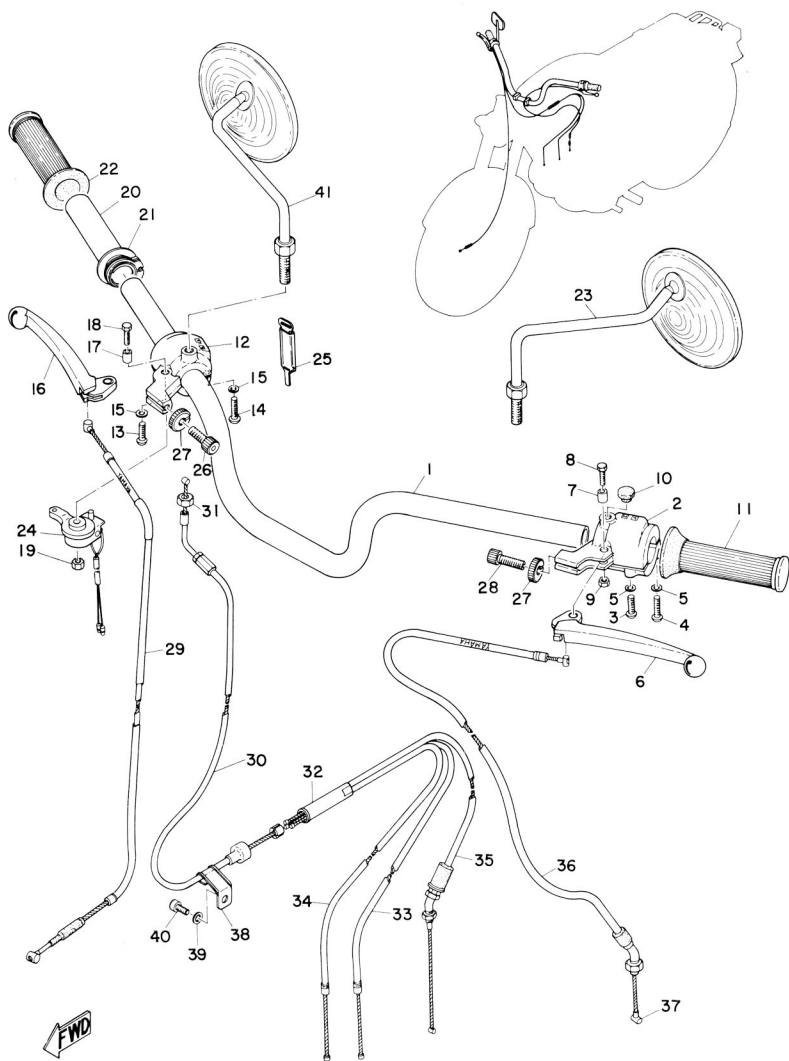
Fig. 18 HANDLE & WIRE



| Ref No. | Parts No.       | Parts Name               | Description | Q'ty | S·R | Remarks |
|---------|-----------------|--------------------------|-------------|------|-----|---------|
| 18- 1   | 167-26111-01    | HANDLE                   | STD         | 1    |     |         |
|         | 183-26111-10    | HANDLE                   | UP          | 1    |     |         |
|         | 183-26111-20    | HANDLE                   | BAR         | 1    |     |         |
| 18- 2   | 218-82910-00-94 | LEVER HOLDER ASS'Y (L.H) |             | 1    |     |         |
| 18- 3   | 98501-05020     | . SCREW, pan head        | (ISO)       | 1    |     |         |
| 18- 4   | 98501-05025     | . SCREW, pan head        | (ISO)       | 2    |     |         |
| 18- 5   | 92901-05100     | . WASHER, spring         |             | 3    |     |         |
| 18- 6   | 150-83912-00-38 | . LEVER (L.H)            |             | 1    |     |         |
| 18- 7   | 168-83913-00    | . COLLAR, lever          |             | 1    |     |         |
| 18- 8   | 91203-06020     | . BOLT                   |             | 1    |     |         |
| 18- 9   | 92801-06300     | . NUT                    |             | 1    |     |         |
| 18-10   | 116-83931-00    | PLUG, blind              |             | 1    |     |         |
| 18-11   | 136-26241-00    | GRIP (L.H)               |             | 1    |     |         |
| 18-12   | 218-82920-30-94 | LEVER HOLDER ASS'Y (R.H) |             | 1    |     |         |
| 18-13   | 98501-05020     | . SCREW, pan head        | (ISO)       | 1    |     |         |
| 18-14   | 98501-05025     | . SCREW, pan head        | (ISO)       | 2    |     |         |
| 18-15   | 92901-05100     | . WASHER, spring         |             | 3    |     |         |
| 18-16   | 218-83922-30-38 | . LEVER (R.H)            |             | 1    |     |         |
| 18-17   | 168-83913-00    | . COLLAR, lever          |             | 1    |     |         |
| 18-18   | 218-83915-00    | . SCREW, lever           |             | 1    |     |         |
| 18-19   | 98801-06300     | . NUT                    | (ISO)       | 1    |     |         |
| 18-20   | 137-26243-60    | TUBE, guide              |             | 1    |     |         |
| 18-21   | 150-26249-00    | RING, leaf               |             | 1    |     |         |
| 18-22   | 137-26242-60    | GRIP (R.H)               |             | 1    |     |         |
| 18-23   | 252-26290-10    | BACK MIRROR ASS'Y (L.H)  |             | 1    |     |         |
| 18-24   | 232-83980-30    | FRONT STOP SWITCH ASS'Y  |             | 1    |     |         |
| 18-25   | 168-83936-01    | BAND, switch cord        |             | 2    |     |         |
| 18-26   | 156-26346-00    | BOLT, adjusting          |             | 1    |     |         |
| 18-27   | 168-26344-00    | NUT, wire adjusting      |             | 2    |     |         |
| 18-28   | 168-26337-00    | BOLT, wire adjusting     |             | 1    |     |         |
| 18-29   | 183-26341-00    | WIRE, brake              | STD         | 1    |     |         |
|         | 183-26341-10    | WIRE, brake              | UP          | 1    |     |         |
|         | 183-26341-20    | WIRE, brake              | BAR         | 1    |     |         |
| 18-30   | 218-26311-00    | WIRE, throttle (1)       | STD         | 1    |     |         |
|         | 183-26311-10    | WIRE, throttle (1)       | UP          | 1    |     |         |
|         | 183-26311-20    | WIRE, throttle (1)       | BAR         | 1    |     |         |
| 18-31   | 169-26251-00    | NUT, adjusting           |             | 1    |     |         |
| 18-32   | 156-26261-01    | CYLINDER                 |             | 1    |     |         |



Fig. 18 HANDLE & WIRE

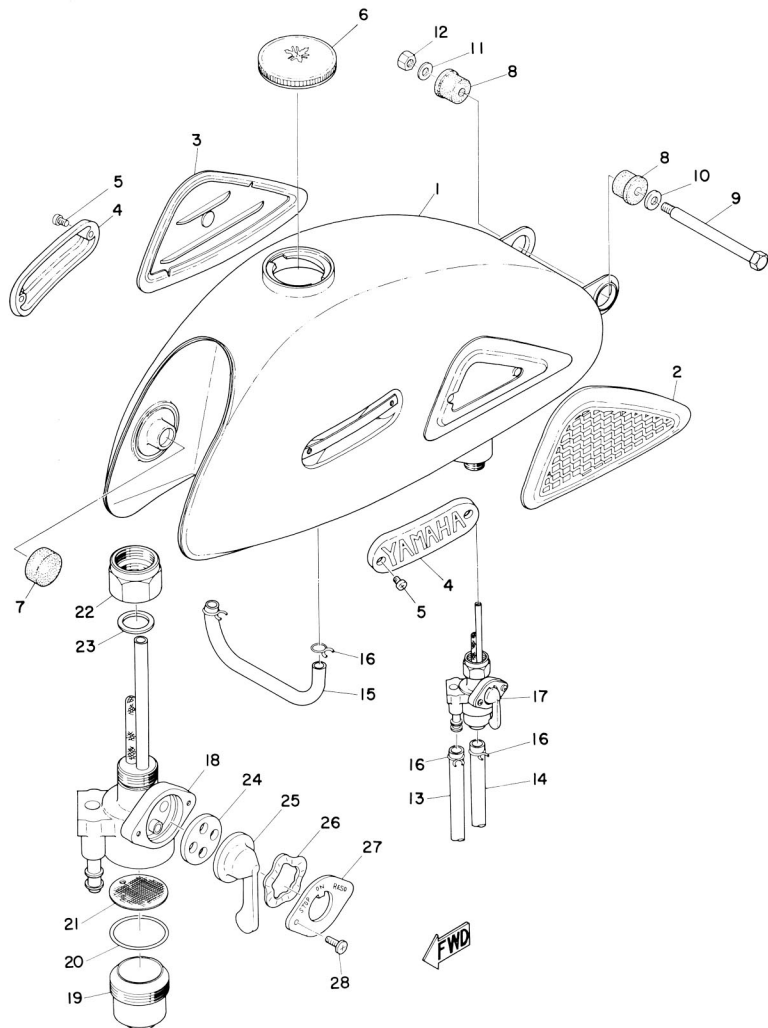


# HANDLE & WIRE

| Ref No. | Parts No.    | Parts Name              | Description | Qty | S·R | Remarks   |
|---------|--------------|-------------------------|-------------|-----|-----|-----------|
| 18-33   | 241-26312-00 | WIRE, throttle (2)      |             | 1   |     |           |
| 18-34   | 241-26313-00 | WIRE, throttle (3)      |             | 1   |     |           |
| 18-35   | 252-26321-00 | WIRE, pump              |             | 1   |     |           |
| 18-36   | 241-26335-41 | WIRE, clutch            | STD         | 1   |     |           |
|         | 241-26335-11 | WIRE, clutch            | UP          | 1   |     |           |
|         | 241-26335-21 | WIRE, clutch            | BAR         | 1   |     |           |
| 18-37   | 164-26363-00 | END, wire               |             | 1   |     |           |
| 18-38   | 183-26278-00 | CLIP, wire              |             | 1   |     |           |
| 18-39   | 92501-06012  | SCREW, pan head         |             | 1   |     |           |
| 18-40   | 92901-06100  | WASHER, spring          |             | 1   |     |           |
| 18-41   | 252-26290-00 | BACK MIRROR ASS'Y (R.H) |             | 1   |     | ALTERNATE |



Fig. 19 FUEL TANK



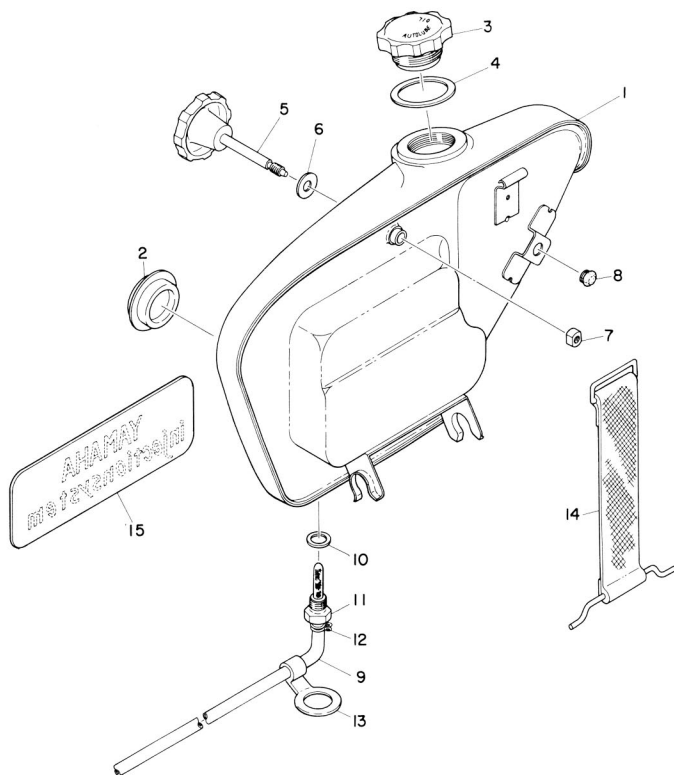


# FUEL TANK

| Ref No. | Parts No.       | Parts Name              | Description | Q'ty    | S-R | Remarks            |
|---------|-----------------|-------------------------|-------------|---------|-----|--------------------|
| 19- 1   | 241-24110-00-04 | FUEL TANK COMP.         |             | (ISO) 1 |     | Californian Orange |
| 19- 2   | 241-24171-00    | GRIP, knee (L.H)        |             | 1       |     |                    |
| 19- 3   | 241-24172-00    | GRIP, knee (R.H)        |             | 1       |     |                    |
| 19- 4   | 132-24161-00    | EMBLEM                  |             | 2       |     |                    |
| 19- 5   | 98501-04008     | SCREW, pan head         |             | (ISO) 4 |     |                    |
| 19- 6   | 122-24110-01    | CAP ASS'Y               |             | 1       |     |                    |
| 19- 7   | 122-24181-00    | DAMPER, locating (1)    |             | 2       |     |                    |
| 19- 8   | 137-24181-00    | DAMPER, tank locating   |             | 2       |     |                    |
| 19- 9   | 168-24176-00    | BOLT, tank fitting      |             | 1       |     |                    |
| 19-10   | 137-24186-00    | WASHER, special 8.5     | 8.5-23-2.0  | 1       |     |                    |
| 19-11   | 137-24187-00    | WASHER, special 6.5     | 6.5-23-2.0  | 1       |     |                    |
| 19-12   | 92801-06100     | NUT                     |             | 1       |     |                    |
| 19-13   | 132-24311-00    | PIPE, fuel              | 190L        | 1       |     | (R.H)              |
| 19-14   | 132-24331-00    | PIPE, level (fuel pipe) | 150L        | 1       |     | (L.H)              |
| 19-15   | 137-24331-00    | PIPE, level             |             | 1       |     |                    |
| 19-16   | 101-24356-00    | CLIP, pipe              |             | 6       |     |                    |
| 19-17   | 132-24500-02    | FUEL COCK ASS'Y         |             | (ISO) 1 |     |                    |
| 19-18   | 132-24511-02    | . BODY, fuel cock       |             | 1       |     | △                  |
| 19-19   | 132-24521-00    | . CUP, filter           |             | 1       |     |                    |
| 19-20   | 132-24522-00    | . GASKET, filter        |             | 1       |     |                    |
| 19-21   | 132-24515-00    | . NUT, filter           |             | 1       |     |                    |
| 19-22   | 132-24531-00    | . NUT                   |             | 1       |     |                    |
| 19-23   | 132-24532-00    | . GASKET, nut           |             | 1       |     |                    |
| 19-24   | 137-24523-00    | . VALVE                 |             | 1       |     |                    |
| 19-25   | 168-24524-00    | . LEVER, cock           |             | 1       |     |                    |
| 19-26   | 132-24518-00    | . WASHER, wave          |             | 1       |     |                    |
| 19-27   | 132-24525-00    | . PLATE, lever fitting  |             | 1       |     |                    |
| 19-28   | 98501-03006     | . SCREW, pan head       |             | (ISO) 2 |     |                    |



Fig. 20 OIL TANK

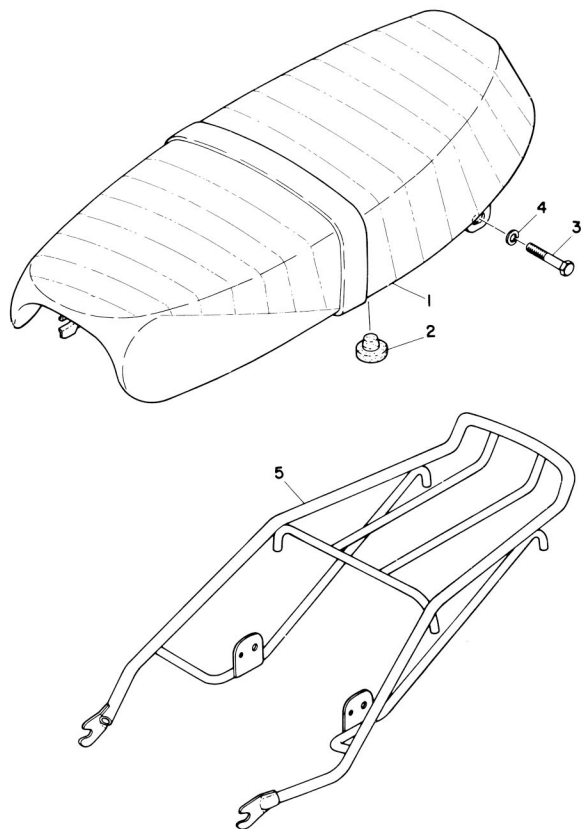


# OIL TANK

| Ref No. | Parts No.       | Parts Name               | Description | Q'ty | S·R | Remarks            |
|---------|-----------------|--------------------------|-------------|------|-----|--------------------|
| 20- 1   | 241-21705-00-65 | OIL TANK ASS'Y           |             | 1    |     | Californian Orange |
| 20- 2   | 214-21761-00    | . GAUGE, level           |             | 1    |     |                    |
| 20- 3   | 183-21770-11    | OIL TANK CAP ASS'Y       |             | 1    |     |                    |
| 20- 4   | 214-21772-00    | GASKET, cap              |             | 1    |     |                    |
| 20- 5   | 183-21714-00    | KNOB, side cover         |             | 1    |     |                    |
| 20- 6   | 122-21725-00    | WASHER, side cover (R.H) | 7-16-1      | 1    |     |                    |
| 20- 7   | 136-21713-00    | NUT, latch clamp         |             | 1    |     |                    |
| 20- 8   | 137-21778-00    | DAMPER, oil tank         |             | 1    |     |                    |
| 20- 9   | 132-24319-01    | PIPE, oil                |             | 1    |     |                    |
| 20-10   | 227-21767-00    | GASKET, union            |             | 1    |     |                    |
| 20-11   | 137-21768-01    | SCREW, union             |             | 1    |     |                    |
| 20-12   | 101-24356-00    | CLIP, pipe               |             | 2    |     |                    |
| 20-13   | 183-24369-00    | CLAMP, pipe              |             | 1    |     |                    |
| 20-14   | 174-21776-00    | BAND, tank fitting       |             | 1    |     |                    |
| 20-15   | 117-21782-00    | EMBLEM, injection        |             | 1    |     |                    |



Fig. 21 SEAT & CARRIER

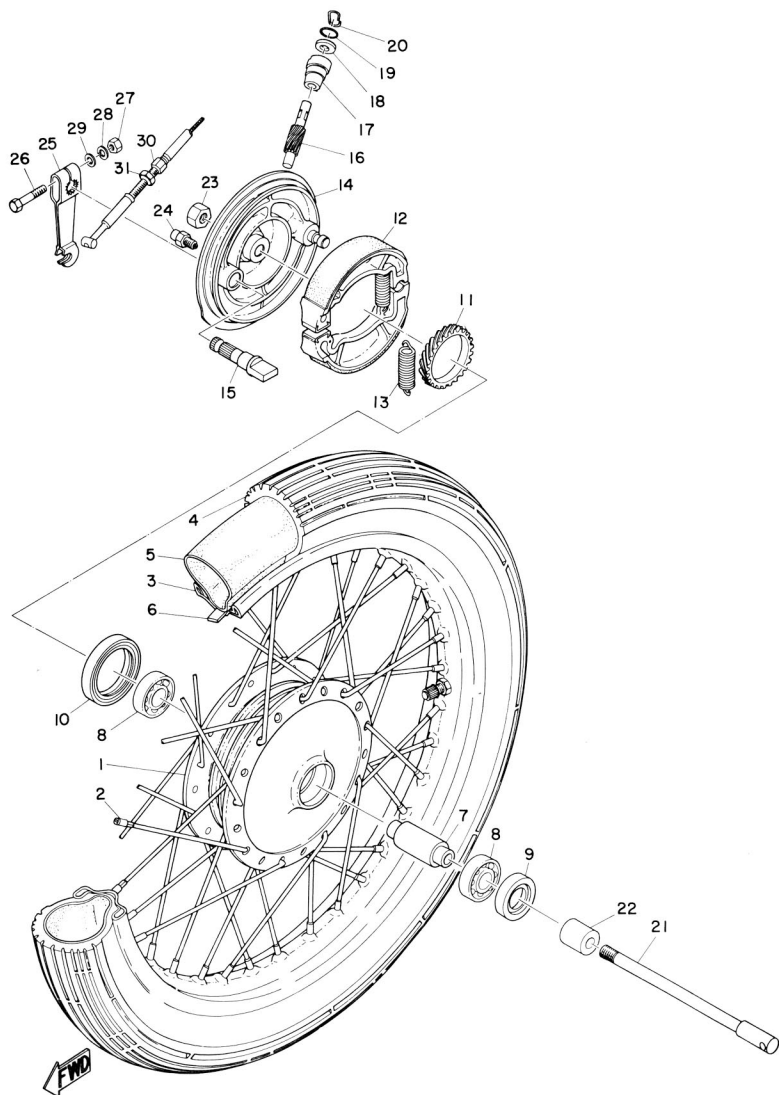


## SEAT & CARRIER

| Ref No.                | Parts No.    | Parts Name        | Description | Qty | S·R | Remarks |
|------------------------|--------------|-------------------|-------------|-----|-----|---------|
| 21- 1                  | 241-24730-01 | DOUBLE SEAT ASS'Y |             | 1   |     |         |
| 21- 2                  | 174-24741-00 | . PAD, seat       |             | 2   |     |         |
| 21- 3                  | 97201-08050  | BOLT              | (ISO)       | 2   |     |         |
| 21- 4                  | 92901-08100  | WASHER, spring    |             | 2   |     |         |
| <b>ALTERNATE PARTS</b> |              |                   |             |     |     |         |
| 21- 5                  | 183-24830-00 | SUB-CARRIER ASS'Y |             | 1   |     |         |



Fig. 22 FRONT WHEEL

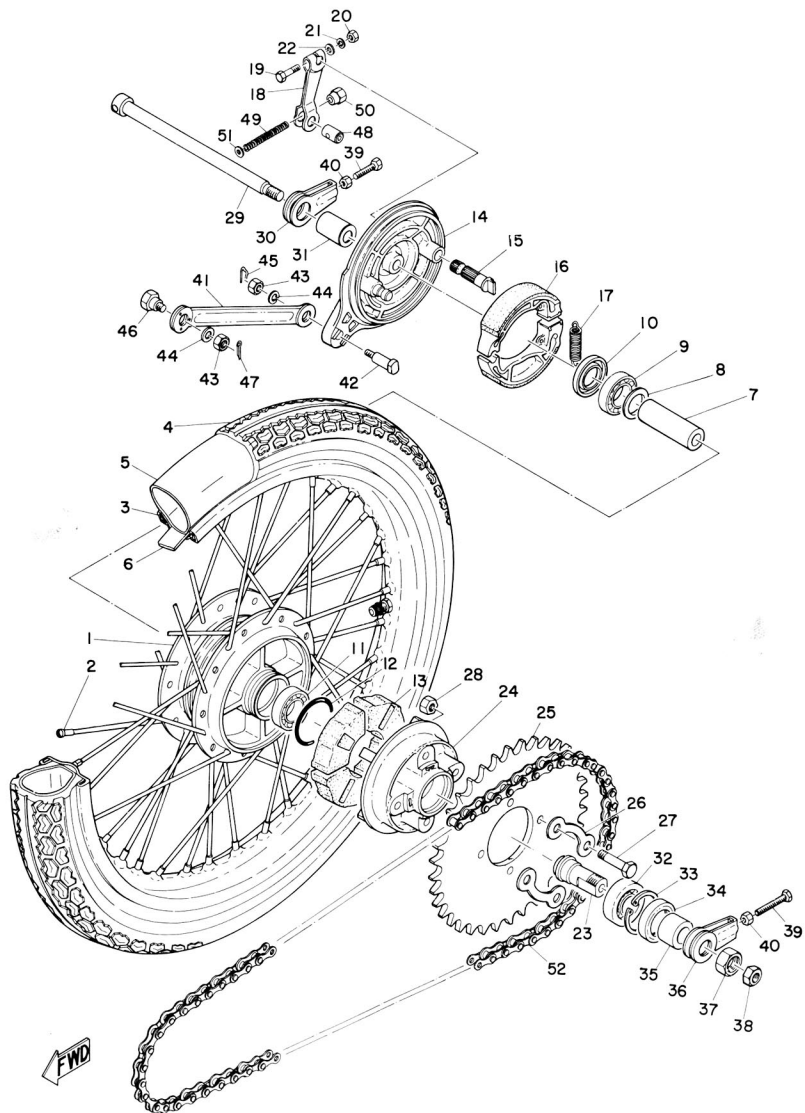


## FRONT WHEEL

| Ref No. | Parts No.       | Parts Name           | Description | Q'ty | S · R | Remarks |
|---------|-----------------|----------------------|-------------|------|-------|---------|
| 22- 1   | 102-25111-01-38 | HUB, front           |             | 1    |       |         |
| 22- 2   | 164-25104-00    | SPOKE SET            |             | 1s   |       |         |
| 22- 3   | 94414-18006     | RIM                  | 1,4-18      | 1    |       |         |
| 22- 4   | 94125-18019     | TIRE, front          | 2,50-18-4PR | 1    |       |         |
| 22- 5   | 94225-18006     | TUBE                 | 2,50-18     | 1    |       |         |
| 22- 6   | 94325-18005     | BAND, rim            | 2,50-18     | 1    |       |         |
| 22- 7   | 102-25117-00    | SPACER, bearing      |             | 1    |       |         |
| 22- 8   | 93306-20204     | BEARING              | 6202Z       | 2    |       |         |
| 22- 9   | 93106-20001     | OIL SEAL             | DD-20-35-7  | 1    |       |         |
| 22-10   | 93107-42001     | OIL SEAL             | OS-42-52,57 | 1    |       |         |
| 22-11   | 164-25135-00    | GEAR, drive          |             | 1    |       |         |
| 22-12   | 122-25330-00    | BRAKE SHOE COMP.     |             | 2    |       |         |
| 22-13   | 102-25333-00    | SPRING, return       |             | 2    |       |         |
| 22-14   | 122-25121-02    | PLATE, brake shoe    |             | 1    |       |         |
| 22-15   | 122-25351-01    | CAM SHAFT            |             | 1    |       |         |
| 22-16   | 164-25138-00    | GEAR, meter          |             | 1    |       |         |
| 22-17   | 109-25136-00    | BUSHING              |             | 1    |       |         |
| 22-18   | 93104-07003     | OIL SEAL             | SO-7-14-4   | 1    |       |         |
| 22-19   | 93210-14104     | O-RING               |             | 1    |       |         |
| 22-20   | 102-25137-00    | RING, stop           |             | 1    |       |         |
| 22-21   | 122-25181-00    | SHAFT, wheel         |             | 1    |       |         |
| 22-22   | 102-25183-00    | COLLAR, wheel shaft  | 10-20-23,5  | 1    |       |         |
| 22-23   | 92801-10100     | NUT                  |             | 1    |       |         |
| 22-24   | 93700-06100     | NIPPLE, grease       |             | 1    |       |         |
| 22-25   | 109-25155-00    | LEVER, cam shaft     |             | 1    |       |         |
| 22-26   | 91201-06030     | BOLT                 |             | 1    |       |         |
| 22-27   | 92801-06100     | NUT                  |             | 1    |       |         |
| 22-28   | 92901-06100     | WASHER, spring       |             | 1    |       |         |
| 22-29   | 92901-06200     | WASHER, plain        |             | 1    |       |         |
| 22-30   | 109-26345-00    | BOLT, wire adjusting |             | 1    |       |         |
| 22-31   | 109-26344-00    | NUT, wire adjusting  |             | 1    |       |         |



Fig. 23 REAR WHEEL

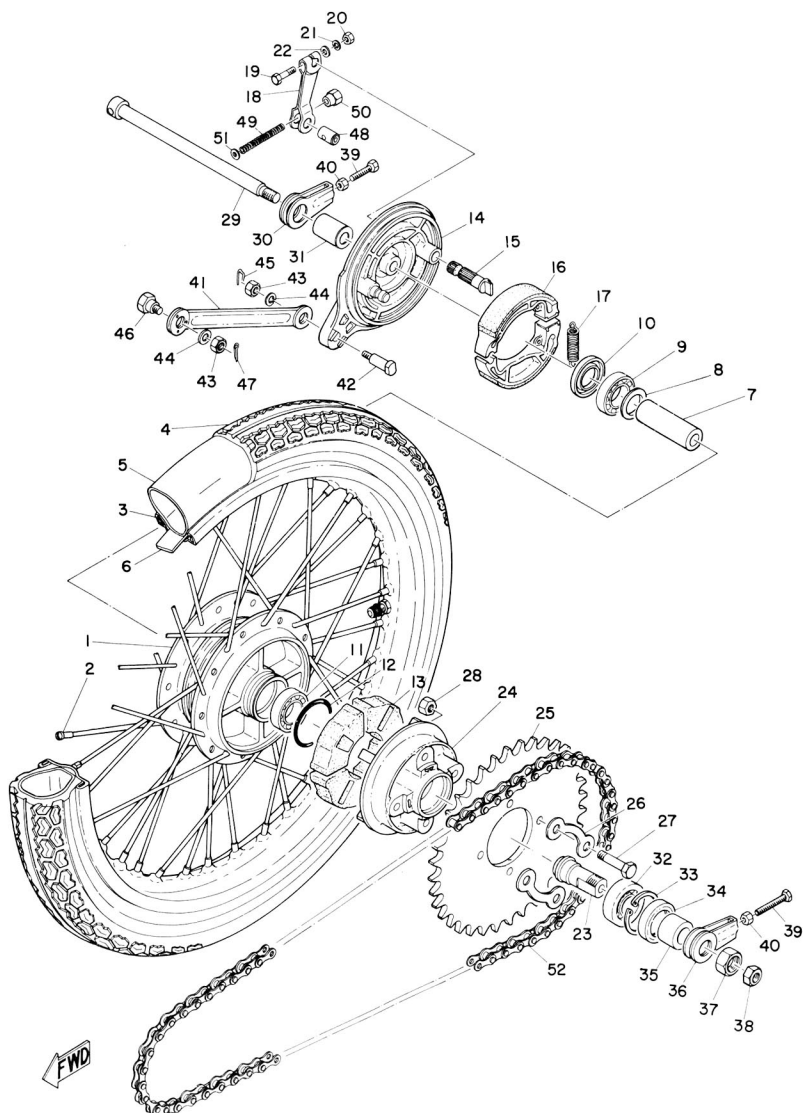




## REAR WHEEL

| Ref No. | Parts No.       | Parts Name             | Description | Qty | S·R | Remarks |
|---------|-----------------|------------------------|-------------|-----|-----|---------|
| 23- 1   | 132-25311-00-38 | HUB, rear              |             | 1   |     |         |
| 23- 2   | 164-25304-00    | SPOKE SET              |             | 1s  |     |         |
| 23- 3   | 94414-18007     | RIM                    |             | 1   |     |         |
| 23- 4   | 94125-18020     | TIRE, rear             | 2.50-18-4PR | 1   |     |         |
| 23- 5   | 94225-18006     | TUBE                   |             | 1   |     |         |
| 23- 6   | 94325-18005     | BAND, rim              |             | 1   |     |         |
| 23- 7   | 102-25317-00    | SPACER, bearing        | 12-18-59    | 1   |     |         |
| 23- 8   | 102-25315-00    | FLANGE, spacer         |             | 1   |     |         |
| 23- 9   | 93306-30101     | BEARING                | 6301        | 1   |     |         |
| 23-10   | 93104-21016     | OIL SEAL               | SO-21-37-7  | 1   |     |         |
| 23-11   | 93306-30103     | BEARING                | 6301Z       | 1   |     |         |
| 23-12   | 93210-41041     | O-RING                 | 4-40.5      | 1   |     |         |
| 23-13   | 132-25364-00    | DAMPER, clutch         |             | 4   |     |         |
| 23-14   | 102-25321-00    | PLATE, brake shoe      |             | 1   |     |         |
| 23-15   | 122-25351-01    | CAM SHAFT              |             | 1   |     |         |
| 23-16   | 122-25330-00    | BRAKE SHOE COMP.       |             | 2   |     |         |
| 23-17   | 102-25333-00    | SPRING, return         |             | 2   |     |         |
| 23-18   | 122-25355-00    | LEVER, cam shaft       |             | 1   |     |         |
| 23-19   | 91201-06030     | BOLT                   |             | 1   |     |         |
| 23-20   | 92801-06100     | NUT                    |             | 1   |     |         |
| 23-21   | 92901-06100     | WASHER, spring         |             | 1   |     |         |
| 23-22   | 92901-06200     | WASHER, plain          |             | 1   |     |         |
| 23-23   | 167-25387-00    | SHAFT, sprocket        |             | 1   |     |         |
| 23-24   | 132-25366-01    | CLUTCH, hub            |             | 1   |     |         |
| 23-25   | 122-25440-11    | GEAR, sprocket wheel   |             | 1   |     |         |
| 23-26   | 102-25412-00    | WASHER, lock           |             | 2   |     |         |
| 23-27   | 207-25411-00    | BOLT, fitting          |             | 4   |     |         |
| 23-28   | 98801-08200     | NUT                    | ISO         | 4   |     |         |
| 23-29   | 241-25381-00    | SHAFT, rear wheel      |             | 1   |     |         |
| 23-30   | 241-25389-00    | PULLER, chain (R.H)    |             | 1   |     |         |
| 23-31   | 195-25383-00    | COLLAR, wheel shaft    | 12.2-23-33  | 1   |     |         |
| 23-32   | 93306-00406     | BEARING                | 6004Z       | 1   |     |         |
| 23-33   | 93420-42007     | CIRCLIP                |             | 1   |     |         |
| 23-34   | 93106-30004     | OIL SEAL               | DD-30-42-8  | 1   |     |         |
| 23-35   | 167-25386-00    | COLLAR, sprocket shaft | 18-30-20.4  | 1   |     |         |
| 23-36   | 241-25388-00    | PULLER, chain (L.H)    |             | 1   |     |         |
| 23-37   | 102-25385-01    | NUT, sprocket shaft    |             | 1   |     |         |
| 23-38   | 92901-10200     | NUT                    |             | 1   |     |         |

Fig. 23 REAR WHEEL

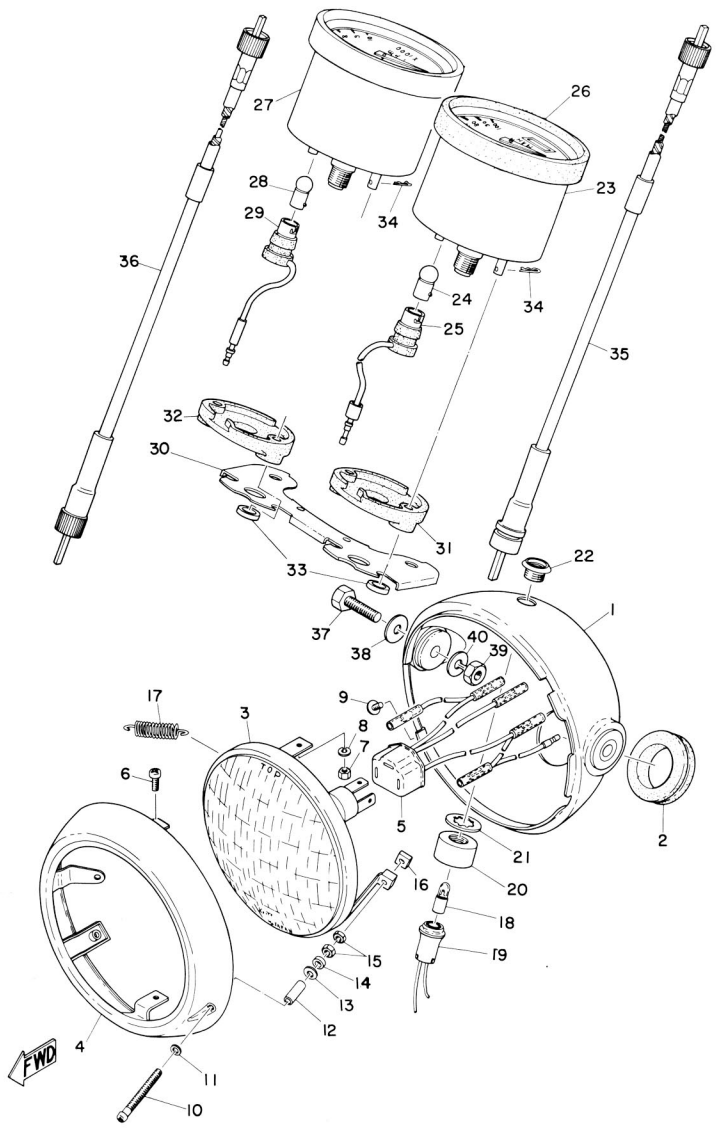


## REAR WHEEL

| Ref No. | Parts No.    | Parts Name         | Description | Qty | S · R | Remarks |
|---------|--------------|--------------------|-------------|-----|-------|---------|
| 23-39   | 167-25379-00 | BOLT, chain puller | 6d-4.5      | 2   |       |         |
| 23-40   | 92801-06300  | NUT                |             | 2   |       |         |
| 23-41   | 183-25371-00 | BAR, tension       |             | 1   |       |         |
| 23-42   | 102-25373-00 | BOLT, tension bar  |             | 1   |       |         |
| 23-43   | 98801-08300  | NUT                | (ISO)       | 2   |       |         |
| 23-44   | 92901-08100  | WASHER, spring     |             | 2   |       |         |
| 23-45   | 102-25375-00 | CLIP, tension bar  |             | 1   |       |         |
| 23-46   | 183-25378-00 | BOLT               |             | 1   |       |         |
| 23-47   | 91401-20012  | PIN, cotter        |             | 1   |       |         |
| 23-48   | 156-27237-00 | PIN, clevis        |             | 1   |       |         |
| 23-49   | 180-27236-00 | SPRING, rod        |             | 1   |       |         |
| 23-50   | 206-27238-00 | NUT, adjusting     |             | 1   |       |         |
| 23-51   | 92901-06200  | WASHER, plain      |             | 1   |       |         |
| 23-52   | 94504-20104  | CHAIN              |             | 1   |       |         |
| 23-52-1 | 94604-20001  | . JOINT, chain     |             | 1   |       |         |



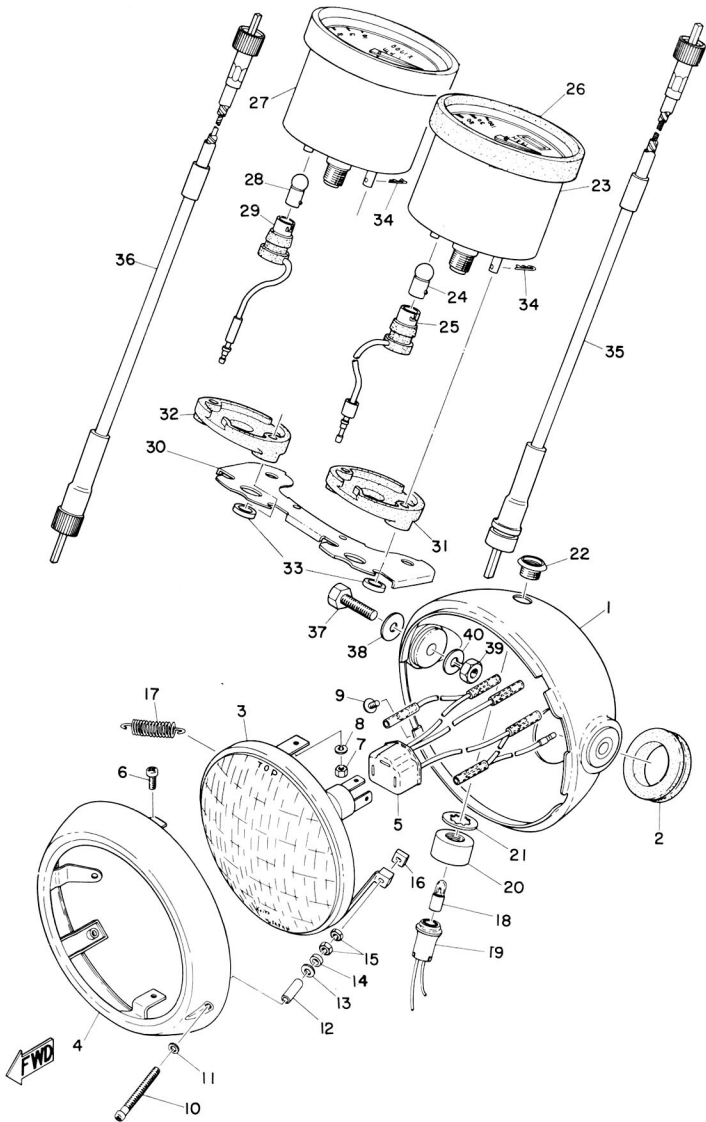
Fig. 24 HEAD LAMP, SPEEDOMETER & TACHOMETER



# HEAD LAMP, SPEEDOMETER & TACHOMETER

| Ref No. | Parts No.       | Parts Name              | Description | Q'ty | S·R | Remarks           |
|---------|-----------------|-------------------------|-------------|------|-----|-------------------|
| 24- 1   | 261-84330-60-65 | BODY ASS'Y              |             | 1    |     | California Orange |
| 24- 2   | 214-84153-60    | . GROMMET               |             | 1    |     |                   |
| 24- 0-1 | 261-84310-61    | HEAD LAMP UNIT ASS'Y    | (ISO)       | 1    |     |                   |
| 24- 3   | 261-84320-61    | . LENS ASS'Y            |             | 1    |     |                   |
| 24- 4   | 261-84315-61    | . RIM, head lamp        | (ISO)       | 1    |     |                   |
| 24- 5   | 261-84312-61    | . SOCKET                |             | 1    |     |                   |
| 24- 6   | 98501-04010     | . SCREW, pan head       | (ISO)       | 2    |     |                   |
| 24- 7   | 802-84126-00    | . NUT                   | (ISO)       | 2    |     |                   |
| 24- 8   | 92901-04100     | . WASHER, spring        |             | 2    |     |                   |
| 24- 9   | 195-84325-00    | . SCREW, rim fitting    | (ISO)       | 1    |     |                   |
| 24-10   | 198-84331-60    | . SCREW, rim adjuster   | (ISO)       | 1    |     |                   |
| 24-11   | 233-84127-60    | . WASHER, special       |             | 1    |     |                   |
| 24-12   | 233-84133-60    | . COLLAR, adjust screw  |             | 1    |     |                   |
| 24-13   | 92901-04200     | . WASHER, plain         |             | 1    |     |                   |
| 24-14   | 132-84328-60    | . SPACER                |             | 1    |     |                   |
| 24-15   | 802-84126-00    | . NUT                   | (ISO)       | 2    |     |                   |
| 24-16   | 198-84334-60    | . NUT, adjust           | (ISO)       | 1    |     |                   |
| 24-17   | 132-84335-60    | . SPRING, lens adjust   |             | 1    |     |                   |
| 24- 0-2 | 235-84301-60    | PILOT LAMP ASS'Y        |             | 1    |     |                   |
| 24-18   | 235-84347-00    | . BULB, pilot           | 12V 2W      | 1    |     | ☆                 |
| 24-19   | 256-84350-60    | . SOCKET CORD ASS'Y     |             | 1    |     |                   |
| 24-20   | 214-84158-60    | . NUT, pilot lamp       |             | 1    |     |                   |
| 24-21   | 92901-12300     | . WASHER, tooth         |             | 1    |     |                   |
| 24-22   | 214-84157-60    | . BODY, high beam       |             | 1    |     |                   |
| 24-23   | 287-83510-40    | SPEEDOMETER ASS'Y       |             | 1    |     |                   |
| 24-24   | 123-83516-20    | . BULB                  | 15V-3W      | 4    |     | ☆                 |
| 24-25   | 287-83520-40    | . SOCKET ASS'Y          |             | 1    |     |                   |
| 24-26   | 214-83513-00    | . DAMPER, speedometer   |             | 1    |     |                   |
| 24-27   | 287-83540-00    | TACHOMETER ASS'Y        |             | 1    |     |                   |
| 24-28   | 123-83516-20    | . BULB                  | 15V-3W      | 1    |     | ☆                 |
| 24-29   | 287-83536-00    | . SOCKET, meter         |             | 1    |     |                   |
| 24-30   | 252-83519-00    | BRACKET, meter          |             | 1    |     |                   |
| 24-31   | 214-83523-00    | DAMPER                  |             | 1    |     |                   |
| 24-32   | 237-83523-00    | DAMPER                  |             | 1    |     |                   |
| 24-33   | 214-83524-00    | WASHER, special         |             | 4    |     |                   |
| 24-34   | 156-83525-00    | CLIP                    |             | 4    |     |                   |
| 24-35   | 252-83550-00    | SPEEDOMETER CABLE ASS'Y |             | 1    |     |                   |
| 24-36   | 252-83560-00    | TACHOMETER CABLE ASS'Y  |             | 1    |     |                   |

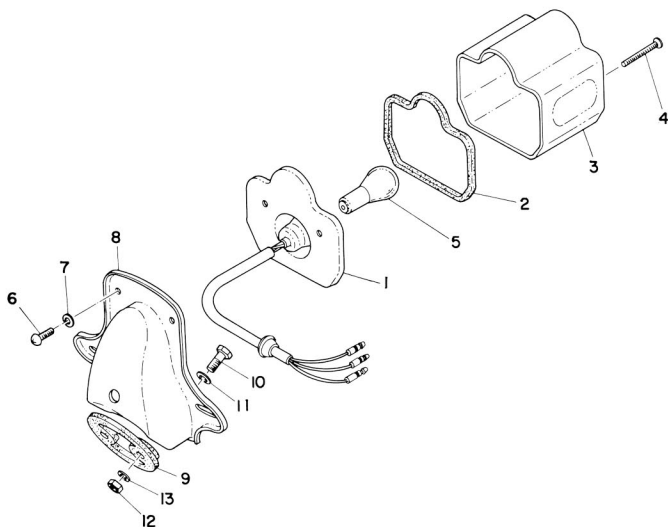
Fig. 24 HEAD LAMP, SPEEDOMETER & TACHOMETER



| Ref No. | Parts No.   | Parts Name     | Description | Q'ty | S·R | Remarks |
|---------|-------------|----------------|-------------|------|-----|---------|
| 24-37   | 97203-08025 | BOLT           | ISO         | 2    |     |         |
| 24-38   | 92903-08200 | WASHER, plain  |             | 2    |     |         |
| 24-39   | 98801-08100 | NUT            | ISO         | 2    |     |         |
| 24-40   | 92901-08100 | WASHER, spring |             | 2    |     |         |



Fig. 25 TAIL LAMP



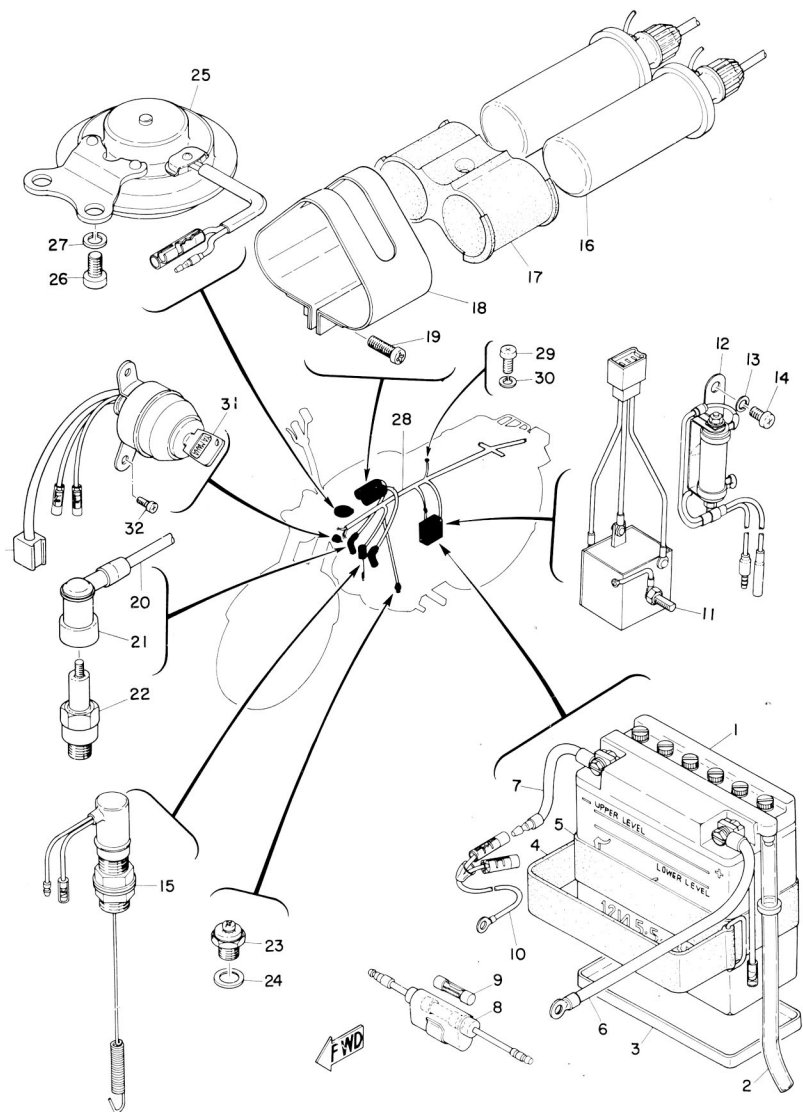


# TAIL LAMP

| Ref No. | Parts No.       | Parts Name            | Description | Q'ty | S·R | Remarks |
|---------|-----------------|-----------------------|-------------|------|-----|---------|
| 25- 0-1 | 202-84710-60    | TAIL LAMP UNIT ASS'Y  |             | 1    |     |         |
| 25- 1   | 202-84711-60    | . BASE, tail lamp     | ISO         | 1    |     |         |
| 25- 2   | 168-84712-60    | . SEAT, base          |             | 1    |     |         |
| 25- 3   | 168-84721-60    | . LENS, tail lamp     |             | 1    |     |         |
| 25- 4   | 193-84724-00    | . SCREW, lens fitting | ISO         | 2    |     |         |
| 25- 5   | 168-84714-00    | . BULB, tail lamp     | 12V 2317W   | 1    |     | ☆       |
| 25- 6   | 92503-06012     | . SCREW, pan head     |             | 2    |     |         |
| 25- 7   | 92901-06100     | WASHER, spring        |             | 2    |     |         |
| 25- 8   | 164-84751-60-35 | BRACKET, license      |             | 1    |     | Silver  |
| 25- 9   | 164-84753-60    | DAMPER                |             | 1    |     |         |
| 25-10   | 168-21738-00    | BOLT, fitting         |             | 2    |     |         |
| 25-11   | 156-24186-00    | WASHER, special       |             | 2    |     |         |
| 25-12   | 92801-06100     | NUT                   |             | 2    |     |         |
| 25-13   | 92901-06100     | WASHER, spring        |             | 2    |     |         |



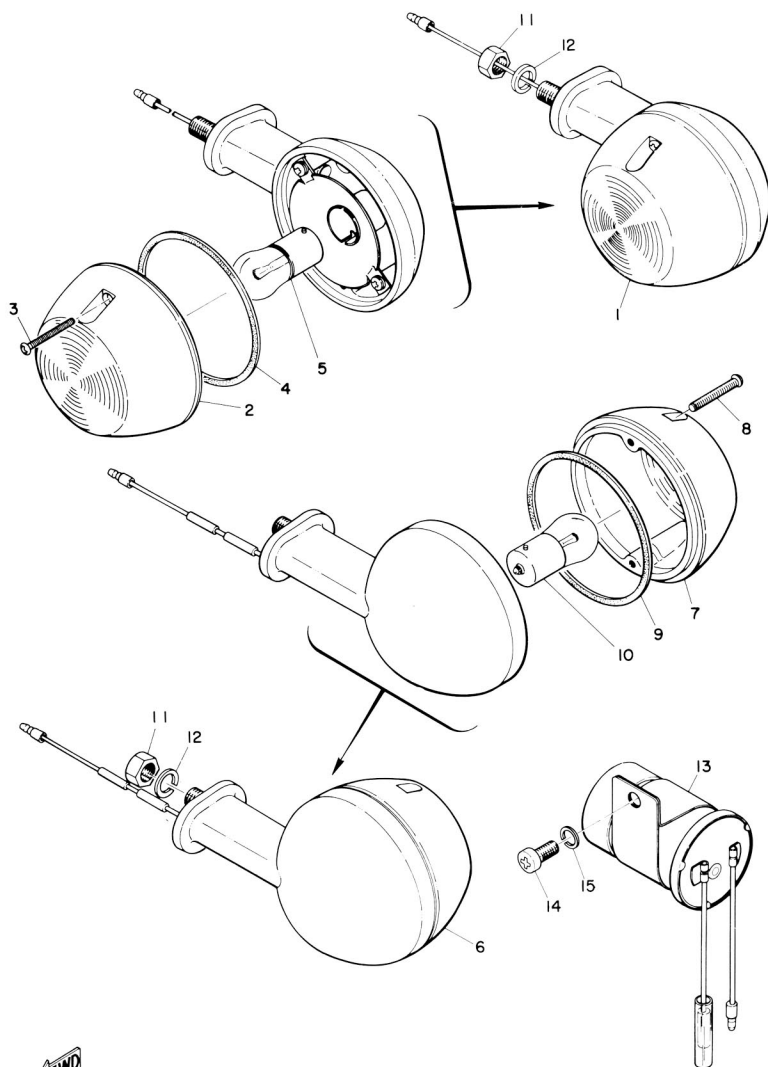
Fig. 26 ELECTRICAL



| Ref No. | Parts No.    | Parts Name           | Description | Q'ty | S·R | Remarks |
|---------|--------------|----------------------|-------------|------|-----|---------|
| 26- 1   | 131-82110-60 | BATTERY ASS'Y        |             | 1    |     |         |
| 26- 2   | 183-82112-00 | PIPE, breather       |             | 1    |     |         |
| 26- 3   | 102-82122-00 | SEAT, battery        |             | 1    |     |         |
| 26- 4   | 137-82131-01 | BAND, battery        |             | 1    |     |         |
| 26- 5   | 164-82124-00 | BAND, battery        |             | 1    |     |         |
| 26- 6   | 183-82115-00 | WIRE, plus lead      |             | 1    |     |         |
| 26- 7   | 183-82116-00 | WIRE, minus lead     |             | 1    |     |         |
| 26- 8   | 164-82150-00 | FUSE HOLDER ASS'Y    |             | 1    |     |         |
| 26- 9   | 148-82151-00 | . FUSE               |             | 2    |     |         |
| 26-10   | 183-84756-00 | WIRE, earth lead     |             | 1    |     |         |
| 26-11   | 195-81970-10 | RECTIFIER            |             | 1    |     |         |
| 26-12   | 287-81911-10 | RESISTOR ASS'Y       |             | 1    |     |         |
| 26-13   | 92901-06100  | WASHER, spring       |             | 2    |     |         |
| 26-14   | 92501-06010  | SCREW, pan head      |             | 2    |     |         |
| 26-15   | 183-82530-01 | STOP SWITCH ASS'Y    |             | 1    |     |         |
| 26-16   | 174-82310-60 | IGNITION COIL ASS'Y  |             | 2    |     |         |
| 26-17   | 168-82312-00 | HOLDER, coil fitting |             | 1    |     |         |
| 26-18   | 168-82311-00 | BAND, coil fitting   |             | 1    |     |         |
| 26-19   | 92501-06020  | SCREW, pan head      |             | 2    |     |         |
| 26-20   | 183-82341-00 | CORD, high-tension   |             | 2    |     |         |
| 26-21   | 166-82370-20 | PLUG CAP ASS'Y       |             | 2    |     |         |
| 26-22   | 94700-00033  | PLUG, spark          | B-9HC       | 2    |     |         |
| 26-23   | 136-82540-00 | NEUTRAL SWITCH ASS'Y |             | 1    |     |         |
| 26-24   | 136-82543-00 | GASKET               |             | 1    |     |         |
| 26-25   | 241-83371-20 | HORN                 |             | 1    |     |         |
| 26-26   | 92501-06010  | SCREW, pan head      |             | 2    |     |         |
| 26-27   | 92901-06100  | WASHER, spring       |             | 2    |     |         |
| 26-28   | 287-82590-30 | WIRE HARNESS ASS'Y   |             | 1    |     |         |
| 26-29   | 92501-06012  | SCREW, pan head      |             | 1    |     |         |
| 26-30   | 92901-06100  | WASHER, spring       |             | 1    |     |         |
| 26-31   | 287-82508-30 | MAIN SWITCH ASS'Y    |             | 1    |     |         |
| 26-32   | 98501-05010  | SCREW, pan head      | ISO         | 2    |     |         |



Fig. 27 FLASHER LAMP (ALTERNATE PARTS)



## FLASHER LAMP (ALTERNATE PARTS)

| Ref No. | Parts No.       | Parts Name               | Description | Q'ty | S·R | Remarks |
|---------|-----------------|--------------------------|-------------|------|-----|---------|
| 27- 1   | 287-83310-70-93 | FRONT FLASHER LAMP ASS'Y | (ISO)       | 2    |     | Amber   |
| 27- 2   | 183-83312-70    | . LENS, flasher          |             | 2    |     | Amber   |
| 27- 3   | 183-83333-71    | . SCREW, lens fitting    | (ISO)       | 4    |     |         |
| 27- 4   | 183-83313-70    | . GASKET, flasher lens   |             | 2    |     |         |
| 27- 5   | 183-83311-70    | . BULB, flasher          | 12V 32CP    | 2    |     | ☆       |
| 27- 6   | 235-83330-70-93 | REAR FLASHER LAMP ASS'Y  | (ISO)       | 2    |     | Amber   |
|         | 235-83330-75-93 | REAR FLASHER LAMP ASS'Y  | (ISO)       | 2    |     | Red     |
| 27- 7   | 211-83332-75    | . LENS, flasher          |             | 2    |     | Red     |
|         | 183-83312-70    | . LENS, flasher          |             | 2    |     | Amber   |
| 27- 8   | 183-83333-71    | . SCREW, lens fitting    | (ISO)       | 4    |     | Amber   |
| 27- 9   | 183-83313-70    | . GASKET, flasher lens   |             | 2    |     |         |
| 27-10   | 183-83311-70    | . BULB, flasher          | 12V 32CP    | 2    |     | ☆       |
| 27-11   | 98801-08300     | NUT                      | (ISO)       | 4    |     |         |
| 27-12   | 92901-08100     | WASHER, spring           |             | 4    |     |         |
| 27-13   | 173-83350-70    | FLASHER RELAY ASS'Y      |             | 1    |     |         |
| 27-14   | 91201-06012     | BOLT                     |             | 1    |     |         |
| 27-15   | 92901-06100     | WASHER, spring           |             | 1    |     |         |







# NUMERICAL INDEX







# NUMERICAL INDEX

| Ref No. | Parts No.       | Ref No. | Parts No.    | Ref No. | Parts No.    |
|---------|-----------------|---------|--------------|---------|--------------|
| 14-38   | 101-21279-00    | 5-32    | 122-17461-40 | 10-19   | 127-14136-00 |
| 19-16   | 101-24356-00    | 5-32    | 122-17461-50 | 10-18   | 127-14137-00 |
| 20-12   | 101-24356-00    | 20-6    | 122-21725-00 | 10-5    | 127-14143-12 |
| 10-6    | 102-14185-00    | 17-19   | 122-23114-00 | 10-5    | 127-14143-14 |
| 5-31    | 102-17462-00    | 17-4    | 122-23125-00 | 10-5    | 127-14143-16 |
| 5-33    | 102-17463-00    | 17-8    | 122-23143-00 | 10-24   | 127-14161-00 |
| 5-34    | 102-17464-00    | 17-7    | 122-23145-00 | 10-11   | 127-14164-00 |
| 15-2    | 102-22123-00    | 17-5    | 122-23147-00 | 10-8    | 127-14184-00 |
| 22-1    | 102-25111-01-38 | 17-23   | 122-23346-00 | 10-7    | 127-14186-00 |
| 22-7    | 102-25117-00    | 17-41   | 122-23443-00 | 10-3    | 127-14190-12 |
| 22-20   | 102-25137-00    | 17-40   | 122-23451-00 | 10-2    | 127-14195-00 |
| 22-22   | 102-25183-00    | 19-7    | 122-24181-00 | 5-24    | 131-15643-00 |
| 23-8    | 102-25315-00    | 19-6    | 122-24610-01 | 5-23    | 131-15653-00 |
| 23-7    | 102-25317-00    | 22-14   | 122-25121-02 | 4-4     | 131-16154-00 |
| 23-14   | 102-25321-00    | 22-21   | 122-25181-00 | 26-1    | 131-82110-60 |
| 22-13   | 102-25333-00    | 22-12   | 122-25330-00 | 1-17    | 132-11111-00 |
| 23-17   | 102-25333-00    | 23-16   | 122-25330-00 | 3-2     | 132-11422-03 |
| 23-42   | 102-25373-00    | 23-25   | 122-25440-11 | 3-3     | 132-11432-03 |
| 23-45   | 102-25375-00    | 22-15   | 122-25351-01 | 3-12    | 132-11511-02 |
| 23-37   | 102-25385-01    | 23-15   | 122-25351-01 | 3-17    | 132-11515-01 |
| 23-26   | 102-25412-00    | 23-18   | 122-25355-00 | 3-9     | 132-11561-00 |
| 11-9    | 102-27114-00    | 16-2    | 122-27112-00 | 3-30    | 132-11610-01 |
| 26-3    | 102-82122-00    | 16-6    | 122-27116-00 | 3-30    | 132-11610-11 |
| 1-12    | 109-11361-00    | 16-21   | 122-27317-01 | 3-30    | 132-11610-21 |
| 22-17   | 109-25136-00    | 16-16   | 122-27413-00 | 3-28    | 132-11633-00 |
| 22-25   | 109-25155-00    | 24-24   | 123-83516-20 | 3-29    | 132-11634-00 |
| 22-31   | 109-26344-00    | 24-28   | 123-83516-20 | 3-8     | 132-11685-00 |
| 22-30   | 109-26345-00    | 17-10   | 124-23142-00 | 12-0-1  | 132-13101-01 |
| 14-16   | 116-21483-00    | 1-18    | 126-11171-00 | 12-24   | 132-13166-00 |
| 18-10   | 116-83931-00    | 12-1    | 126-13116-00 | 12-27   | 132-13174-00 |
| 7-4     | 117-15644-00    | 12-28   | 126-13184-00 | 12-2    | 132-13175-01 |
| 20-15   | 117-21782-00    | 10-15   | 127-14114-00 | 12-6    | 132-13178-01 |
| 15-13   | 120-27430-02    | 10-17   | 127-14116-09 | 10-30   | 132-14135-00 |
| 15-14   | 120-27433-00    | 10-27   | 127-14121-00 | 10-4    | 132-14141-10 |
| 3-7     | 122-11681-00    | 10-12   | 127-14123-00 | 10-40   | 132-14146-00 |
| 7-12    | 122-15612-01    | 10-25   | 127-14124-23 | 10-28   | 132-14169-00 |
| 4-17    | 122-16164-00    | 10-10   | 127-14125-00 | 10-29   | 132-14171-00 |
| 5-32    | 122-17461-30    | 10-26   | 127-14133-00 | 10-38   | 132-14173-00 |
|         |                 | 10-13   | 127-14134-00 |         |              |

# NUMERICAL INDEX

| Ref No. | Parts No.       | Ref No. | Parts No.       | Ref No. | Parts No.       |
|---------|-----------------|---------|-----------------|---------|-----------------|
| 10-37   | 132-14174-00    | 6-25    | 132-18177-00    | 12-19   | 137-13167-00    |
| 10-32   | 132-14176-00    | 6-30    | 132-18533-01    | 12-23   | 137-13167-00    |
| 10-33   | 132-14177-00    | 19- 4   | 132-24161-00    | 12-18   | 137-13169-00    |
| 10-36   | 132-14178-00    | 19-13   | 132-24311-00    | 12- 4   | 137-13176-00    |
| 10-35   | 132-14179-00    | 20- 9   | 132-24319-01    | 12-21   | 137-13187-00    |
| 9-13    | 132-14455-00    | 19-14   | 132-24331-00    | 6-33    | 137-15353-00    |
| 11- 6   | 132-14613-00    | 19-17   | 132-24500-02    | 4- 6    | 137-16324-00    |
| 1-10    | 132-15351-00    | 19-18   | 132-24511-02    | 4-11    | 137-16337-01    |
| 1-11    | 132-15353-00    | 19-21   | 132-24515-00    | 4-14    | 137-16356-00    |
| 1-20    | 132-15371-00    | 19-26   | 132-24518-00    | 4- 7    | 137-16367-00    |
| 5-11    | 132-15389-00    | 19-19   | 132-24521-00    | 3-26    | 137-16377-00    |
| 7- 0-1  | 132-15610-01-93 | 19-20   | 132-24522-00    | 4-13    | 137-16377-00    |
| 7-11    | 132-15611-01    | 19-27   | 132-24525-00    | 4-12    | 137-16378-00    |
| 7-14    | 132-15616-00    | 19-22   | 132-24531-00    | 14-31   | 137-21778-00    |
| 7-15    | 132-15617-00    | 19-23   | 132-24532-00    | 20-11   | 137-21768-01    |
| 4-16    | 132-15631-00    | 23- 1   | 132-25311-00-38 | 20- 8   | 137-21778-00    |
| 7- 6    | 132-15664-00    | 23-13   | 132-25364-00    | 17-45   | 137-23480-00    |
| 7- 7    | 132-15665-00    | 23-24   | 132-25366-01    | 19- 8   | 137-24181-00    |
| 7- 8    | 132-15676-00    | 16-15   | 132-27416-00    | 19-10   | 137-24186-00    |
| 5- 3    | 132-17216-00    | 24-14   | 132-84328-60    | 19-11   | 137-24187-00    |
| 5-20    | 132-17216-00    | 24-17   | 132-84335-60    | 19-15   | 137-24331-00    |
| 4- 8    | 132-15321-00    | 1-16    | 134-11181-01    | 19-24   | 137-24523-00    |
| 4-10    | 132-16333-00    | 10-22   | 134-14158-00    | 18-22   | 137-26242-60    |
| 4-25    | 132-16345-00    | 10-23   | 134-14168-00    | 18-20   | 137-26243-60    |
| 4-26    | 132-16346-00    | 14- 7   | 135-2243-00     | 26- 4   | 137-82131-01    |
| 4- 9    | 132-16351-00    | 3-18    | 136-11561-00    | 2- 8    | 141-15415-00    |
| 4- 2    | 132-16369-00    | 14-30   | 136-21713-00    | 3-32    | 146-11545-00    |
| 4- 5    | 132-16371-02    | 20- 7   | 136-21713-00    | 26- 9   | 148-82151-00    |
| 5- 4    | 132-17414-00    | 14- 8   | 136-22243-00    | 18-21   | 150-26249-00    |
| 5-19    | 132-17414-00    | 15-11   | 136-22316-00    | 16-20   | 150-27316-00    |
| 5-13    | 132-17471-02    | 17-37   | 136-23415-00    | 18- 6   | 150-83912-00-38 |
| 6-10    | 132-18113-01    | 18-11   | 136-26241-00    | 7-17    | 156-15618-01    |
| 6- 2    | 132-18123-00    | 26-23   | 136-82540-00    | 17-28   | 156-23411-00    |
| 6- 3    | 132-18124-00    | 26-24   | 136-82543-00    | 17-34   | 156-23412-00    |
| 6- 4    | 132-18133-00    | 12-15   | 137-13128-00    | 25-11   | 156-24186-00    |
| 6- 7    | 132-18137-00    | 12-11   | 137-13138-01    | 18-32   | 156-26261-01    |
| 6-24    | 132-18140-00    | 12-10   | 137-13147-00    | 18-26   | 156-26346-00    |
| 6-26    | 132-18143-00    | 12-20   | 137-13165-00    | 23-48   | 156-27237-00    |

# NUMERICAL INDEX

| Ref No. | Parts No.       | Ref No. | Parts No.    | Ref No. | Parts No.       |
|---------|-----------------|---------|--------------|---------|-----------------|
| 24-34   | 156-83525-00    | 25- 2   | 168-84712-60 | 5-16    | 183-17221-01    |
| 3-25    | 164-16119-00    | 25- 5   | 168-84714-00 | 5-17    | 183-17231-00    |
| 5- 8    | 164-17417-00    | 25- 3   | 168-84721-60 | 5-18    | 183-17241-00    |
| 5-26    | 164-17427-00    | 18-31   | 169-26251-00 | 5-21    | 183-17251-00    |
| 6-14    | 164-18552-01    | 27-13   | 173-83350-70 | 5- 1    | 183-17411-00    |
| 6-21    | 164-18561-00    | 2-17    | 174-15363-00 | 5-15    | 183-17421-00    |
| 6-28    | 164-18571-00    | 6-19    | 174-18544-00 | 6- 1    | 183-18101-00    |
| 6-27    | 164-18572-00    | 6-32    | 174-18558-00 | 6-13    | 183-18511-00    |
| 15- 7   | 164-22216-00    | 6-34    | 174-18578-00 | 6-16    | 183-18512-00    |
| 14-10   | 164-22241-00    | 17-50   | 174-21518-00 | 6-17    | 183-18513-00    |
| 17-42   | 164-23441-00    | 14-19   | 174-21746-00 | 6-12    | 183-18541-01    |
| 17-29   | 164-23462-00    | 20-14   | 174-21776-00 | 14-37   | 183-21165-00    |
| 22- 2   | 164-25104-00    | 21- 2   | 174-24741-00 | 14-20   | 183-21170-01-33 |
| 22-11   | 164-25135-00    | 26-16   | 174-82310-60 | 14-11   | 183-21315-00    |
| 22-16   | 164-25138-00    | 7- 3    | 180-15641-00 | 17-47   | 183-21510-00-93 |
| 23- 2   | 164-25304-00    | 7- 1    | 180-15660-00 | 14- 2   | 183-21610-00-93 |
| 18-37   | 164-26363-00    | 7- 2    | 180-15687-00 | 14-27   | 183-21714-00    |
| 16-12   | 164-27414-00    | 23-49   | 180-27236-00 | 20- 5   | 183-21714-00    |
| 16-13   | 164-27417-00    | 3- 1    | 183-11412-02 | 20- 3   | 183-21770-11    |
| 26- 5   | 164-82124-00    | 3- 4    | 183-11442-02 | 14-17   | 183-21797-00    |
| 27- 8   | 164-82150-00    | 3-14    | 183-11512-00 | 15- 6   | 183-22151-00    |
| 25- 8   | 164-84751-60-35 | 3- 5    | 183-11651-00 | 15- 8   | 183-22311-01-93 |
| 25- 9   | 164-84753-60    | 10-43   | 183-14196-00 | 17-16   | 183-23116-00    |
| 26-21   | 166-82370-20    | 10-39   | 183-14197-01 | 17-15   | 183-23163-00    |
| 23-35   | 167-25386-00    | 5-25    | 183-15651-00 | 17-11   | 183-23191-40    |
| 23-23   | 167-25387-00    | 2- 2    | 183-15418-00 | 17-12   | 183-23193-40    |
| 23-39   | 167-25379-00    | 2- 3    | 183-15448-00 | 17-25   | 183-23318-00    |
| 18- 1   | 167-26111-01    | 3-24    | 183-16111-00 | 23-41   | 183-25371-00    |
| 25-10   | 168-21738-00    | 3-23    | 183-16136-00 | 23-46   | 183-25378-00    |
| 19- 9   | 168-24176-00    | 4- 1    | 183-16150-00 | 17-36   | 183-23411-00    |
| 19-25   | 168-24524-00    | 4-15    | 183-16181-00 | 17-35   | 183-23412-00    |
| 18-28   | 168-26337-00    | 4- 0-1  | 183-16301-01 | 17-39   | 183-23435-00    |
| 18-27   | 168-26344-00    | 4-19    | 183-16357-00 | 20-13   | 183-24869-00    |
| 26-18   | 168-82311-00    | 5- 7    | 183-17121-01 | 21- 5   | 183-24830-00    |
| 26-17   | 168-82312-00    | 5- 2    | 183-17151-00 | 18- 1   | 183-26111-10    |
| 18- 7   | 168-83913-00    | 5- 6    | 183-17131-00 | 18- 1   | 183-26111-20    |
| 18-17   | 168-83913-00    | 5- 5    | 183-17141-00 | 18-38   | 183-26278-00    |
| 18-25   | 168-83936-01    | 5-22    | 183-17211-00 | 18-30   | 183-26311-10    |

| Ref No. | Parts No.    | Ref No. | Parts No.       | Ref No. | Parts No.       |
|---------|--------------|---------|-----------------|---------|-----------------|
| 18-30   | 183-26311-20 | 10- 9   | 195-14181-00    | 17-30   | 233-85111-00    |
| 18-29   | 183-26341-00 | 23-31   | 195-25383-00    | 27- 6   | 235-83330-70-93 |
| 18-29   | 183-26341-10 | 26-11   | 195-81970-10    | 27- 7   | 235-83330-75-93 |
| 18-29   | 183-26341-20 | 24- 9   | 195-84325-00    | 24- 0-2 | 235-84301-60    |
| 16- 1   | 183-27111-00 | 10-31   | 196-14175-00    | 24-18   | 235-84347-00    |
| 16- 5   | 183-27115-00 | 24-10   | 198-84331-60    | 8- 1    | 237-17861-00    |
| 16- 3   | 183-27211-00 | 24-16   | 198-84334-60    | 24-32   | 237-83523-00    |
| 16- 8   | 183-27216-00 | 11- 3   | 201-14753-01    | 1-14    | 241-11311-00    |
| 16-19   | 183-27311-01 | 25- 0-1 | 202-84710-60    | 1-15    | 241-11321-00    |
| 16-11   | 183-27411-00 | 25- 1   | 202-84711-60    | 3- 0-1  | 241-11400-00    |
| 16-14   | 183-27412-01 | 23-50   | 206-27238-00    | 3-27    | 241-11631-01    |
| 13- 2   | 183-81410-12 | 15-15   | 206-27436-00    | 3-27    | 241-11635-01    |
| 13- 3   | 183-81421-10 | 14-25   | 206-28100-00    | 3-27    | 241-11636-01    |
| 13- 7   | 183-81425-10 | 23-27   | 207-25411-00    | 10-21   | 241-14126-00    |
| 13-14   | 183-81431-10 | 27- 7   | 211-83332-75    | 9- 1    | 241-14411-00    |
| 13-10   | 183-81432-10 | 17- 6   | 212-23150-40    | 9- 3    | 241-14412-00    |
| 13-21   | 183-81435-10 | 7-13    | 214-15625-00    | 9- 6    | 241-14421-00    |
| 13-23   | 183-81451-12 | 8- 6    | 214-17811-01    | 9- 8    | 241-14422-00    |
| 13-24   | 183-81452-10 | 8-11    | 214-17812-00    | 9- 2    | 241-14451-00    |
| 26- 2   | 183-82112-00 | 8- 9    | 214-17815-00    | 9-11    | 241-14453-00    |
| 26- 6   | 183-82115-00 | 8-10    | 214-17843-00    | 11- 1   | 241-14610-00    |
| 26- 7   | 183-82116-00 | 8- 8    | 214-17847-00    | 11- 2   | 241-14620-00    |
| 26-20   | 183-82341-00 | 20- 2   | 214-21761-00    | 9-12    | 241-14456-00    |
| 26-15   | 183-82530-01 | 24-26   | 214-83513-00    | 9- 7    | 241-14461-00    |
| 27- 5   | 183-83311-70 | 24-31   | 214-83523-00    | 1- 1    | 241-15111-00    |
| 27-10   | 183-83311-70 | 24-33   | 214-83524-00    | 1- 2    | 241-15121-01    |
| 27- 2   | 183-83312-70 | 24- 2   | 214-84153-60    | 1-21    | 241-15357-00    |
| 27- 4   | 183-83313-70 | 24-22   | 214-84157-60    | 2- 1    | 241-15410-00    |
| 27- 9   | 183-83313-70 | 24-20   | 214-84158-60    | 2- 7    | 241-15417-00    |
| 27- 3   | 183-83333-71 | 18-30   | 218-26311-00    | 4-22    | 241-16341-01    |
| 27- 8   | 183-83333-71 | 18- 2   | 218-82910-00-94 | 4-20    | 241-16342-00    |
| 26-10   | 183-84756-00 | 18-12   | 218-82920-30-94 | 4-24    | 241-16343-00    |
| 14-39   | 185-83319-00 | 18-18   | 218-83915-00    | 6- 9    | 241-18111-00    |
| 10-34   | 193-14486-00 | 18-16   | 218-83922-30-38 | 6- 0-1  | 241-18500-00    |
| 10- 1   | 193-14142-20 | 20-10   | 227-21767-00    | 14- 1   | 241-21110-00-33 |
| 25- 4   | 193-84724-00 | 18-24   | 232-83980-30    | 20- 1   | 241-21705-00-65 |
| 1-13    | 195-11351-00 | 24-11   | 233-84127-60    | 14-26   | 241-21711-00-65 |
| 3-15    | 195-11541-00 | 24-12   | 233-84133-60    | 14-28   | 241-21715-00    |

# NUMERICAL INDEX

| Ref No. | Parts No.       | Ref No. | Parts No.       | Ref No. | Parts No.   |
|---------|-----------------|---------|-----------------|---------|-------------|
| 20- 4   | 214-21772-00    | 12-26   | 252-13171-00    | 12-16   | 91401-12018 |
| 14-32   | 241-21787-00    | 2-15    | 252-15416-00    | 16-10   | 91401-20012 |
| 15- 1   | 241-22110-00-33 | 2-10    | 252-15421-00    | 23-47   | 91401-20012 |
| 15- 3   | 241-22141-00    | 2-11    | 252-15451-00    | 6-15    | 91401-25020 |
| 17-21   | 241-23111-40    | 18-35   | 252-26321-00    | 10-16   | 91405-12006 |
| 17-20   | 241-23112-40    | 18-41   | 252-26290-00    | 1- 8    | 91810-03014 |
| 17-17   | 241-23121-40-65 | 18-23   | 252-26290-10    | 2-12    | 91810-03014 |
| 17- 3   | 241-23124-40    | 24-30   | 252-83519-00    | 1- 3    | 91810-08016 |
| 17- 1   | 241-23126-40-35 | 24-35   | 252-83550-00    | 9- 4    | 92501-06008 |
| 17-18   | 241-23131-40-65 | 24-36   | 252-83560-00    | 9- 9    | 92501-06008 |
| 17- 2   | 241-23136-40-35 | 24-19   | 256-84350-60    | 8-12    | 92501-06010 |
| 17- 9   | 241-23141-40    | 24- 0-1 | 261-84310-61    | 9-14    | 92501-06010 |
| 17-22   | 241-23340-40    | 24- 5   | 261-84312-61    | 15- 9   | 92501-06010 |
| 19- 1   | 241-24110-00-04 | 24- 4   | 261-84315-61    | 26-14   | 92501-06010 |
| 19- 2   | 241-24171-00    | 24- 3   | 261-84320-61    | 26-26   | 92501-06010 |
| 19- 3   | 241-24172-00    | 24- 1   | 261-84330-60-65 | 5-14    | 92501-06012 |
| 21- 1   | 241-24730-01    | 10- 0-1 | 287-14101-60    | 15-12   | 92501-06012 |
| 23-29   | 241-25381-00    | 10- 0-2 | 287-14102-60    | 18-39   | 92501-06012 |
| 23-36   | 241-25388-00    | 10-14   | 287-14112-15    | 26-29   | 92501-06012 |
| 23-30   | 241-25389-00    | 10-20   | 287-14131-00    | 26-19   | 92501-06020 |
| 18-33   | 241-26312-00    | 14- 6   | 287-22210-30-65 | 2-13    | 92501-06030 |
| 18-34   | 241-26313-00    | 17- 0-1 | 287-23100-60-65 | 2-14    | 92501-06040 |
| 18-36   | 241-26335-41    | 26-12   | 287-81911-10    | 2- 6    | 92501-06045 |
| 18-36   | 241-26335-11    | 26-31   | 287-82508-30    | 1- 4    | 92501-06055 |
| 18-36   | 241-26335-21    | 26-28   | 287-82590-30    | 2- 4    | 92501-06055 |
| 16-17   | 241-27231-00    | 27- 1   | 287-83310-70-93 | 1- 5    | 92501-06060 |
| 13- 0-1 | 241-81400-11    | 24-29   | 287-83536-00    | 1- 6    | 92501-06070 |
| 13- 1   | 241-81450-11    | 24-23   | 287-83510-40    | 1- 7    | 92501-06080 |
| 26-25   | 241-83371-20    | 24-25   | 287-83520-40    | 2- 5    | 92501-06140 |
|         |                 | 24-27   | 287-83540-00    | 25- 6   | 92503-06012 |
|         |                 | 24- 7   | 802-84126-00    | 17-46   | 92702-06015 |
| 17-13   | 245-23122-60    | 24-15   | 802-84126-00    | 17-51   | 92801-06100 |
| 17-14   | 245-23132-60    | 7-16    | 91101-06020     | 19-12   | 92801-06100 |
| 5-28    | 248-17429-00    | 27-14   | 91201-06012     | 22-27   | 92801-06100 |
| 8- 2    | 248-17831-01    | 6-11    | 91201-06020     | 23-20   | 92801-06100 |
| 8- 3    | 248-17837-00    | 18- 8   | 91203-06020     | 25-12   | 92801-06100 |
| 8- 4    | 248-17841-00    | 22-26   | 91201-06030     | 4-23    | 92801-06300 |
| 12-25   | 252-13161-00    | 23-19   | 91201-06030     | 18- 9   | 92801-06300 |

# NUMERICAL INDEX

| Ref No. | Parts No.   | Ref No. | Parts No.   | Ref No. | Parts No.   |
|---------|-------------|---------|-------------|---------|-------------|
| 23-40   | 92801-06300 | 1-19    | 92901-06200 | 3-20    | 93102-20010 |
| 22-23   | 92801-10100 | 9- 5    | 92901-06200 | 3-21    | 93103-28011 |
| 15- 4   | 92801-10200 | 9-10    | 92901-06200 | 23-10   | 93104-21016 |
| 14- 9   | 92803-10700 | 14-29   | 92901-06200 | 8- 7    | 93210-07100 |
| 10-41   | 92901-04100 | 16- 9   | 92901-06200 | 8- 5    | 93210-13016 |
| 13- 5   | 92901-04100 | 22-29   | 92901-06200 | 22-19   | 93210-14104 |
| 13- 9   | 92901-04100 | 23-22   | 92901-06200 | 3-22    | 93210-18023 |
| 13-12   | 92901-04100 | 23-51   | 92901-06200 | 23-12   | 93210-41041 |
| 13-16   | 92901-04100 | 11- 8   | 92901-08100 | 3-16    | 93210-48045 |
| 13-19   | 92901-04100 | 13-25   | 92901-08100 | 23-32   | 93306-00406 |
| 24- 8   | 92901-04100 | 14- 3   | 92901-08100 | 22- 8   | 93306-20204 |
| 13- 6   | 92901-04200 | 14-15   | 92901-08100 | 3-10    | 93306-20513 |
| 13-13   | 92901-04200 | 14-22   | 92901-08100 | 23- 9   | 93306-30101 |
| 13-20   | 92901-04200 | 16-18   | 92901-08100 | 23-11   | 93306-30103 |
| 24-13   | 92901-04200 | 17-27   | 92901-08100 | 5-12    | 93306-30301 |
| 6-23    | 92901-05100 | 17-44   | 92901-08100 | 5-29    | 93306-30401 |
| 11- 5   | 92901-05100 | 17-49   | 92901-08100 | 3-19    | 93306-30405 |
| 12-12   | 92901-05100 | 21- 4   | 92901-08100 | 3-31    | 93310-11201 |
| 13-22   | 92901-05100 | 23-44   | 92901-08100 | 4- 3    | 93341-22302 |
|         |             | 24-40   | 92901-08100 | 5- 9    | 93315-31501 |
| 17-31   | 92901-05100 | 27-12   | 92901-08100 | 3- 6    | 93310-41809 |
| 18- 5   | 92901-05100 | 14- 5   | 92901-08200 | 5-27    | 93410-15005 |
| 18-15   | 92901-05100 | 12- 7   | 92901-08400 | 7- 9    | 93410-15005 |
|         |             | 17-24   | 92901-10100 | 7- 5    | 93410-25017 |
| 17-32   | 92901-05200 | 15- 5   | 92901-10200 | 5-10    | 93420-22026 |
| 8-13    | 92901-06100 | 23-38   | 92901-10200 | 23-33   | 93420-42007 |
| 9-15    | 92901-06100 | 24-21   | 92901-12300 | 6-20    | 93430-03014 |
| 15-10   | 92901-06100 | 24-38   | 92903-08200 | 6- 8    | 93430-10016 |
| 17-52   | 92901-06100 | 12-14   | 93101-10001 | 16- 4   | 93430-12008 |
| 18-40   | 92901-06100 | 12- 5   | 93101-10002 | 6-29    | 93440-15012 |
| 22-28   | 92901-06100 | 6- 6    | 93101-12004 | 3-11    | 93450-52010 |
| 23-21   | 92901-06100 | 5-30    | 93102-28021 | 4-18    | 93501-04004 |
| 25- 7   | 92901-06100 | 22-18   | 93104-07003 | 17-33   | 93501-04004 |
| 25-13   | 92901-06100 | 4-21    | 93104-11028 | 12-17   | 93505-32002 |
| 26-13   | 92901-06100 | 22- 9   | 93106-20001 | 1-22    | 93602-10061 |
| 26-27   | 92901-06100 | 23-34   | 93106-30004 | 6-31    | 93505-16006 |
| 26-30   | 92901-06100 | 22-10   | 93107-42001 | 1- 9    | 93603-14026 |
| 27-15   | 92901-06100 | 7-10    | 93109-15001 | 3-13    | 93604-18058 |

| Ref. No. | Parts No.   | Ref. No. | Parts No.   | Ref. No. | Parts No. |
|----------|-------------|----------|-------------|----------|-----------|
| 6-18     | 93604-22050 | 26-32    | 98501-05010 |          |           |
| 12- 3    | 93603-22028 | 6-22     | 98501-05012 |          |           |
| 22-24    | 93700-06100 |          |             |          |           |
| 22- 4    | 94125-18019 | 12- 9    | 98501-05015 |          |           |
| 23- 4    | 94125-18020 | 18- 3    | 98501-05020 |          |           |
| 22- 5    | 94225-18006 | 18-13    | 98501-05020 |          |           |
| 23- 5    | 94225-18006 | 18- 4    | 98501-05025 |          |           |
| 22- 6    | 94325-18005 | 18-14    | 98501-05025 |          |           |
| 23- 6    | 94325-18005 | 11- 4    | 98801-05100 |          |           |
| 22- 3    | 94414-18006 | 12-13    | 98801-05200 |          |           |
| 23- 3    | 94414-18007 | 18-19    | 98801-06300 |          |           |
| 23-52    | 94504-20104 | 6- 5     | 98801-08100 |          |           |
| 23-52-1  | 94604-20001 | 11- 7    | 98801-08100 |          |           |
| 26-22    | 94700-00033 | 14-14    | 98801-08100 |          |           |
| 14-12    | 97101-08050 | 14-24    | 98801-08100 |          |           |
| 14-13    | 97101-08110 | 24-39    | 98801-08100 |          |           |
| 14-18    | 97201-08010 | 23-28    | 98801-08200 |          |           |
| 14- 4    | 97201-08012 | 12- 8    | 92801-08300 |          |           |
| 16-17    | 97201-08020 | 16-22    | 98801-08300 |          |           |
| 17-26    | 97201-08025 | 23-43    | 98801-08300 |          |           |
| 14-21    | 97201-08040 | 27-11    | 98801-08300 |          |           |
| 21- 3    | 97201-08050 | 12-22    | 98801-04008 |          |           |
| 14-23    | 97201-08060 |          |             |          |           |
| 17-48    | 97201-08100 |          |             |          |           |
| 24-37    | 97203-08025 |          |             |          |           |
| 17-43    | 97203-08035 |          |             |          |           |
| 19-28    | 98501-03006 |          |             |          |           |
| 2- 9     | 98501-04005 |          |             |          |           |
| 13- 4    | 98501-04008 |          |             |          |           |
| 13- 8    | 98501-04008 |          |             |          |           |
| 13-11    | 98501-04008 |          |             |          |           |
| 13-15    | 98501-04008 |          |             |          |           |
| 19- 5    | 98501-04008 |          |             |          |           |
| 2-16     | 98501-04010 |          |             |          |           |
| 13-18    | 98501-04010 |          |             |          |           |
| 24- 6    | 98501-04010 |          |             |          |           |
| 13-17    | 98501-04015 |          |             |          |           |
| 10-42    | 98501-04018 |          |             |          |           |







---

---

First edition, May, '70

**YAMAHA HS1**  
**PARTS LIST**

**YAMAHA MOTOR CO., LTD.**  
HAMAKITA JAPAN

---

---





# MODEL **HS1-B**

90cc

This Parts List is for the exclusive parts for the HS1-B. Please refer to HS1 Parts List for the parts not listed in this publication.

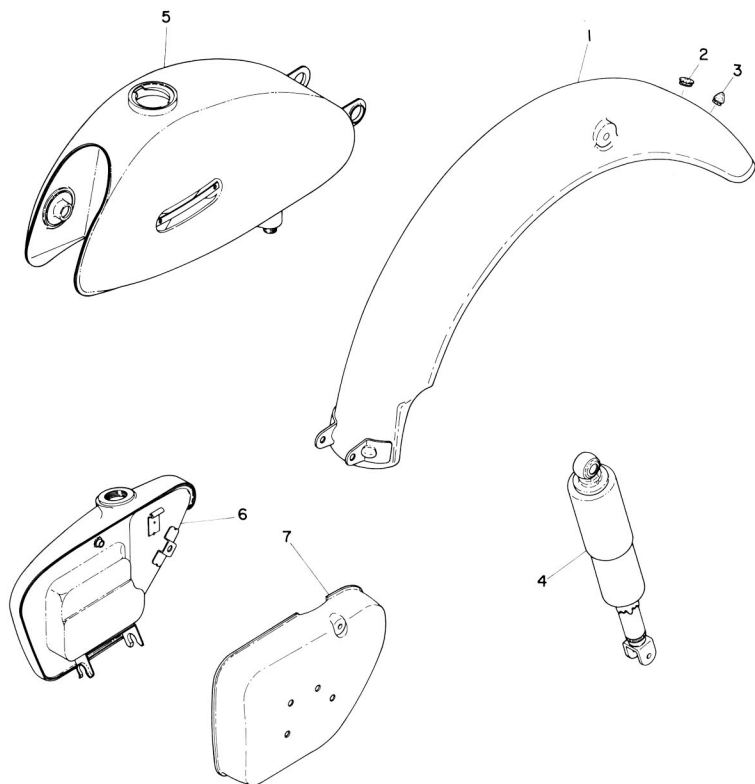


## CONTENTS

|        |                             |   |
|--------|-----------------------------|---|
| Fig. 1 | Frame .....                 | 1 |
| Fig. 2 | Front Fork .....            | 3 |
| Fig. 3 | Head Lamp & Tail Lamp ..... | 5 |
| Fig. 4 | Flasher Lamp .....          | 9 |

## NUMERICAL INDEX

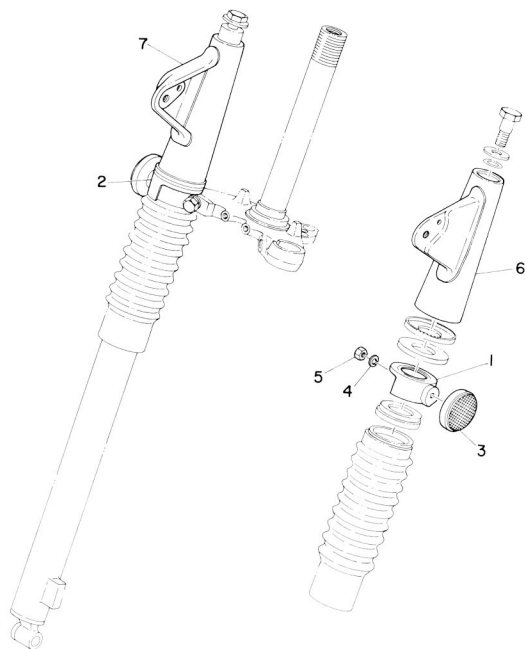
Fig. 1 FRAME



## FRAME

| Ref. No. | Part No.        | Description                | Q'ty | Applicable<br>Machine No. | Remarks               |
|----------|-----------------|----------------------------|------|---------------------------|-----------------------|
| 1- 1     | 183-21610-01-93 | REAR FENDER COMP. ....     | 1    |                           |                       |
| 1- 2     | 214-84154-60    | GROMMET .....              | 1    |                           |                       |
| 1- 3     | 170-21746-00    | DAMPER, cleaner stop ..... | 2    |                           |                       |
| 1- 4     | 287-22210-30-26 | REAR CUSHION ASS'Y .....   | 2    |                           | Competition<br>Yellow |
| 1- 5     | 245-24110-00-06 | FUEL TANK COMP. ....       | 1    |                           | Competition<br>Yellow |
| 1- 6     | 241-21705-00-01 | OIL TANK ASS'Y .....       | 1    |                           | Competition<br>Yellow |
| 1- 7     | 241-21711-00-01 | COVER, side .....          | 1    |                           | Competition<br>Yellow |

Fig. 2 FRONT FORK

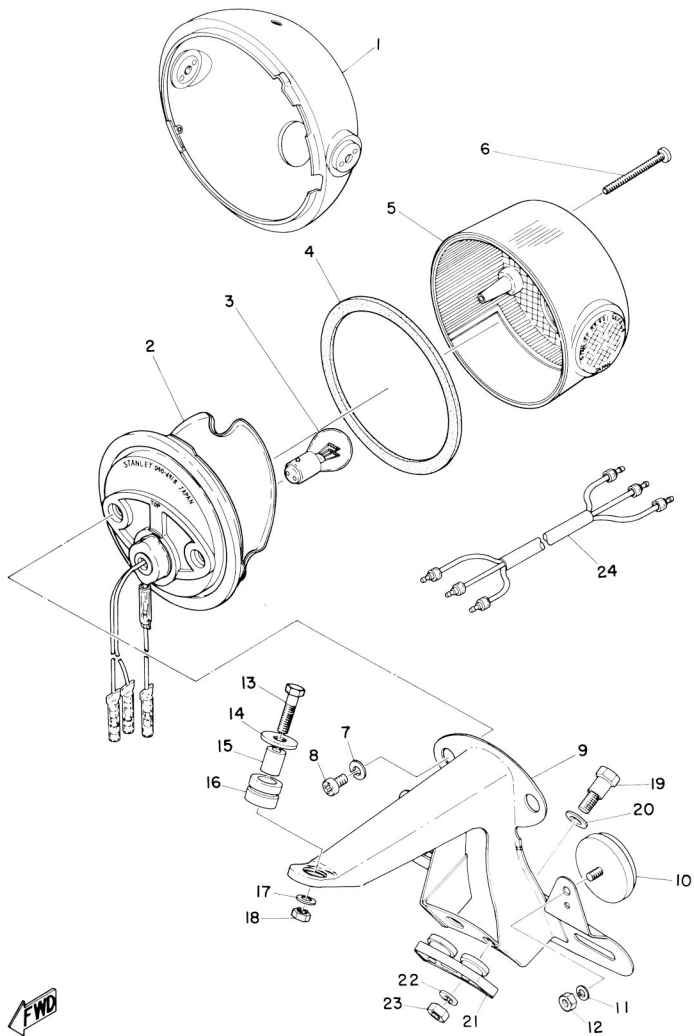




# FRONT FORK

| Ref. No. | Part No.        | Description                | Qty | Applicable<br>Machine No. | Remarks               |
|----------|-----------------|----------------------------|-----|---------------------------|-----------------------|
| 2- 0-1   | 287-23100-61-01 | FRONT FORK ASS'Y .....     | 1   |                           | Competition<br>Yellow |
| 2- 1     | 287-23122-60    | . COVER, outer left .....  | 1   |                           |                       |
| 2- 2     | 287-23132-60    | . COVER, outer right ..... | 1   |                           |                       |
| 2- 3     | 256-85111-00    | . REFLECTOR .....          | 2   |                           |                       |
| 2- 4     | 92901-05100     | . WASHER, spring .....     | 2   |                           |                       |
| 2- 5     | 98801-05100     | . NUT .....                | 2   |                           |                       |
| 2- 6     | 287-23121-60-26 | . COVER, upper left .....  | 1   |                           | Competition<br>Yellow |
| 2- 7     | 287-23131-60-26 | . COVER, upper right ..... | 1   |                           | Competition<br>Yellow |

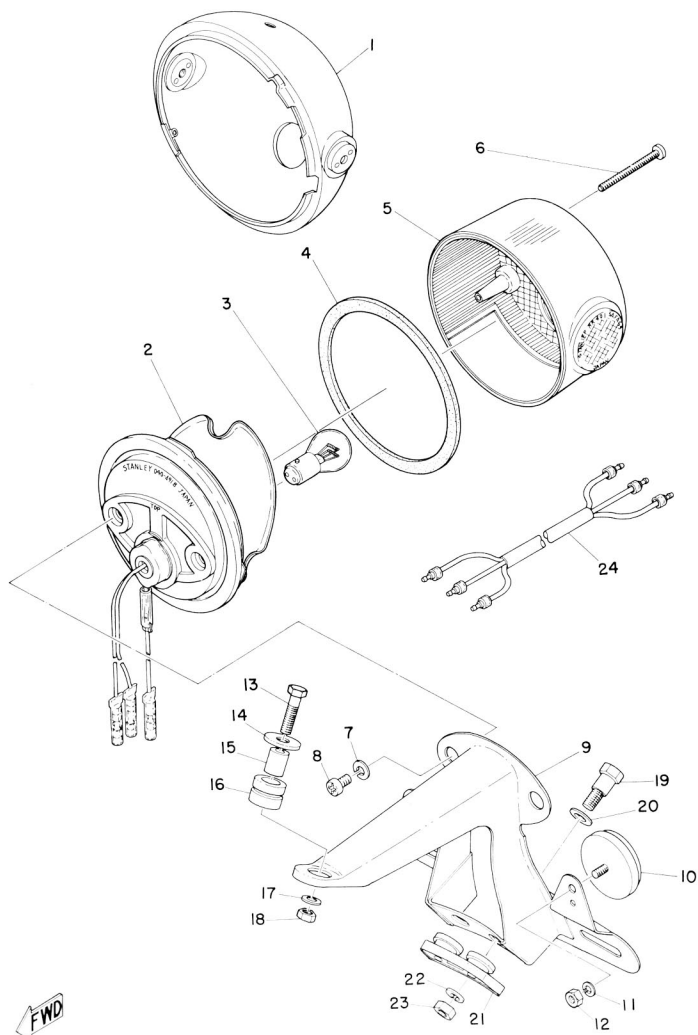
Fig. 3 HEAD LAMP & TAIL LAMP



## HEAD LAMP & TAIL LAMP

| Ref. No. | Part No.        | Description                      | Q'ty | Applicable Machine No. | Remarks               |
|----------|-----------------|----------------------------------|------|------------------------|-----------------------|
| 3- 1     | 261-84330-60-26 | BODY ASS'Y .....                 | 1    |                        | Competition<br>Yellow |
| 3- 0-1   | 256-84710-61    | TAIL LAMP UNIT ASS'Y .....       | 1    |                        |                       |
| 3- 2     | 256-84711-61    | . BASE, tail lamp .....          | 1    |                        |                       |
| 3- 3     | 256-84714-60    | . BULB, tail lamp (12V 23/8W) .. | 1    |                        |                       |
| 3- 4     | 275-84523-60    | . GASKET, tail lens .....        | 1    |                        |                       |
| 3- 5     | 275-84521-60    | . LENS, tail lamp .....          | 1    |                        |                       |
| 3- 6     | 275-84524-60    | . SCREW, lens fitting .....      | 3    |                        |                       |
| 3- 7     | 92901-06100     | WASHER, spring .....             | 2    |                        |                       |
| 3- 8     | 92503-06010     | SCREW, pan head .....            | 2    |                        |                       |
| 3- 9     | 256-84751-61-93 | BRACKET, license .....           | 1    |                        |                       |
| 3-10     | 278-85111-00    | REFLECTOR .....                  | 2    |                        |                       |
| 3-11     | 92901-05100     | WASHER, spring .....             | 2    |                        |                       |
| 3-12     | 98801-05100     | NUT .....                        | 2    |                        |                       |
| 3-13     | 91203-06025     | BOLT .....                       | 1    |                        |                       |
| 3-14     | 102-28323-00    | WASHER, leg shield .....         | 1    |                        |                       |
| 3-15     | 214-21633-00    | COLLAR, fender mount .....       | 1    |                        |                       |
| 3-16     | 214-21717-00    | DAMPER, battery box .....        | 1    |                        |                       |
| 3-17     | 92901-06100     | WASHER, spring .....             | 1    |                        |                       |
| 3-18     | 92801-06100     | NUT .....                        | 1    |                        |                       |
| 3-19     | 168-21738-00    | BOLT .....                       | 2    |                        |                       |
| 3-20     | 92901-08200     | WASHER, plain .....              | 2    |                        |                       |
| 3-21     | 214-84553-01    | DAMPER .....                     | 1    |                        |                       |
| 3-22     | 92901-06100     | WASHER, spring .....             | 2    |                        |                       |
| 3-23     | 92801-06100     | NUT .....                        | 2    |                        |                       |

Fig. 3 HEAD LAMP & TAIL LAMP



FWD

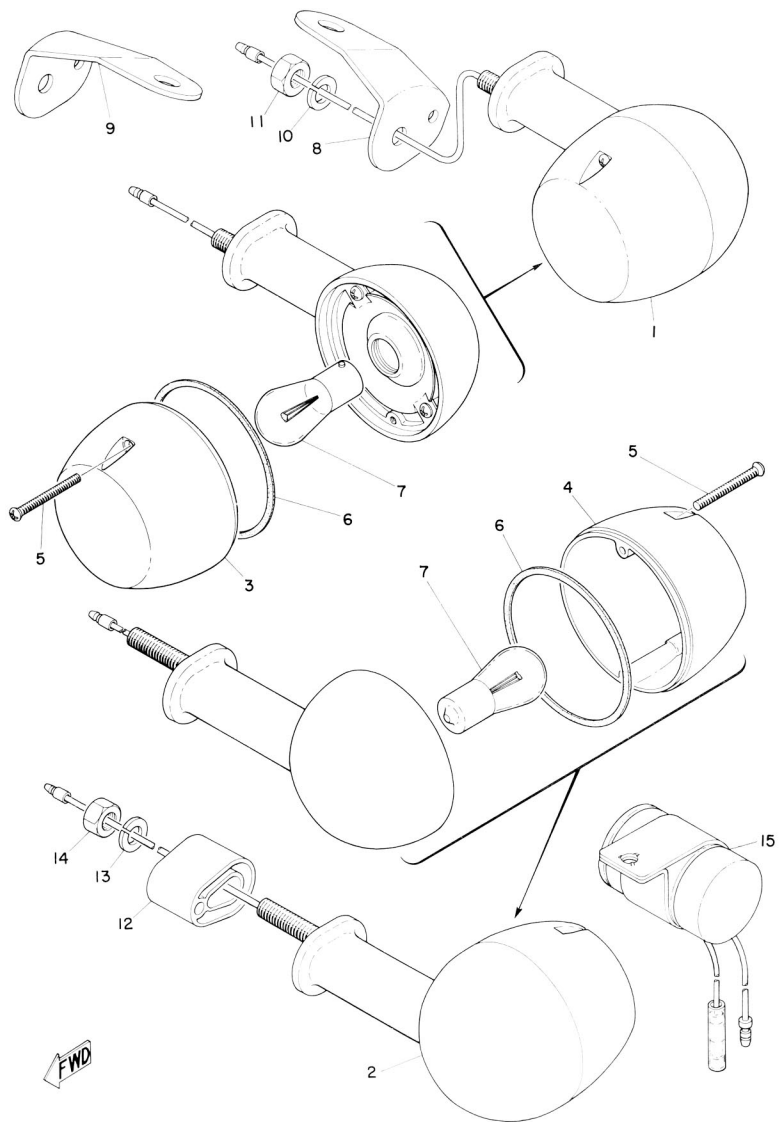
## HEAD LAMP &amp; TAIL LAMP

---

| Ref. No. | Part No.     | Description           | Qty | Applicable<br>Machine No. | Remarks |
|----------|--------------|-----------------------|-----|---------------------------|---------|
| 3-24     | 287-84717-60 | CORD, tail lamp ..... | 1   |                           |         |

---

Fig. 4 FLASHER LAMP



## FLASHER LAMP

| Ref. No. | Part No.        | Description                      | Qty | Applicable<br>Machine No. | Remarks |
|----------|-----------------|----------------------------------|-----|---------------------------|---------|
| 4- 1     | 287-83310-71-93 | FRONT FLASHER LAMP ASSY, left    | 1   |                           | Amber   |
|          | 287-83320-71-93 | FRONT FLASHER LAMP ASSY, right   | 1   |                           | Amber   |
| 4- 2     | 287-83330-75-93 | REAR FLASHER LAMP ASS'Y ...      | 2   |                           | Red     |
| 4- 3     | 183-83312-70    | . LENS, flasher .....            | 2   |                           | Amber   |
| 4- 4     | 211-83332-75    | . LENS, flasher .....            | 2   |                           | Red     |
| 4- 5     | 183-83333-71    | . SCREW, lens fitting .....      | 8   |                           |         |
| 4- 6     | 183-83313-70    | . GASKET, flasher lens .....     | 4   |                           |         |
| 4- 7     | 256-83311-70    | . BULB, flasher (12V 32CP) ..... | 4   |                           |         |
| 4- 8     | 287-83318-00    | STAY, flasher 1 .....            | 1   |                           |         |
| 4- 9     | 287-83328-00    | STAY, flasher 2 .....            | 1   |                           |         |
| 4-10     | 92901-08100     | WASHER, spring .....             | 2   |                           |         |
| 4-11     | 98801-08100     | NUT .....                        | 2   |                           |         |
| 4-12     | 249-83316-95    | COLLAR, flasher .....            | 2   |                           |         |
| 4-13     | 92901-08100     | WASHER, spring .....             | 2   |                           |         |
| 4-14     | 98801-08200     | NUT .....                        | 2   |                           |         |
| 4-15     | 278-83350-70    | FLASHER RELAY ASS'Y .....        | 1   |                           |         |





| Ref No. | Parts No.       | Ref No. | Parts No.       | Ref No. | Parts No. |
|---------|-----------------|---------|-----------------|---------|-----------|
| 3-14    | 102-28323-00    | 4- 2    | 287-83330-75-93 |         |           |
| 3-19    | 168-21738-00    | 3-24    | 287-84717-60    |         |           |
| 1- 3    | 170-21746-00    | 3-13    | 91203-06025     |         |           |
| 1- 1    | 183-21610-01-93 | 3- 8    | 92503-06010     |         |           |
| 4- 3    | 183-83312-70    | 3-18    | 92801-06100     |         |           |
| 4- 6    | 183-83313-70    | 3-23    | 92801-06100     |         |           |
| 4- 5    | 183-83333-71    | 2- 4    | 92901-05100     |         |           |
| 4- 4    | 211-83332-75    | 3-11    | 92901-05100     |         |           |
| 3-15    | 214-21633-00    | 3- 7    | 92901-06100     |         |           |
| 3-16    | 214-21717-00    | 3-17    | 92901-06100     |         |           |
| 1- 2    | 214-84154-60    | 3-22    | 92901-06100     |         |           |
| 3-21    | 214-84553-01    | 4-10    | 92901-08100     |         |           |
| 1- 6    | 241-21705-00-01 | 4-13    | 92901-08100     |         |           |
| 1- 7    | 241-21711-00-01 | 3-20    | 92901-08200     |         |           |
| 1- 5    | 245-24110-00-06 | 2- 5    | 98801-05100     |         |           |
| 4-12    | 249-83316-95    | 3-12    | 98801-05100     |         |           |
| 4- 7    | 256-83311-70    | 4-11    | 98801-08100     |         |           |
| 3- 0-1  | 256-84710-61    | 4-14    | 98801-08200     |         |           |
| 3- 2    | 256-84711-61    |         |                 |         |           |
| 3- 3    | 256-84714-60    |         |                 |         |           |
| 3- 9    | 256-84751-61-93 |         |                 |         |           |
| 2- 3    | 256-85111-00    |         |                 |         |           |
| 3- 1    | 261-84330-60-26 |         |                 |         |           |
| 3- 5    | 275-84521-60    |         |                 |         |           |
| 3- 4    | 275-84523-60    |         |                 |         |           |
| 3- 6    | 275-84524-60    |         |                 |         |           |
| 4-15    | 278-83350-70    |         |                 |         |           |
| 3-10    | 278-85111-00    |         |                 |         |           |
| 1- 4    | 287-22210-30-26 |         |                 |         |           |
| 2- 0-1  | 287-23100-61-01 |         |                 |         |           |
| 2- 6    | 287-23121-60-26 |         |                 |         |           |
| 2- 1    | 287-23122-60    |         |                 |         |           |
| 2- 7    | 287-23131-60-26 |         |                 |         |           |
| 2- 2    | 287-23132-60    |         |                 |         |           |
| 4- 1    | 287-83310-71-93 |         |                 |         |           |
| 4- 8    | 287-83318-00    |         |                 |         |           |
| 4- 1    | 287-83320-71-93 |         |                 |         |           |
| 4- 9    | 287-83328-00    |         |                 |         |           |



**YAMAHA MOTOR CO., LTD.**

**PRINTED IN JAPAN**  
First edition, Aug., 1970

For private use only, copyright Yamaparts.com



# MODEL **HT1-B**

This Parts List is for the exclusive parts for the HT1-B  
Please refer to HT1 parts List for the parts not listed in this publication.

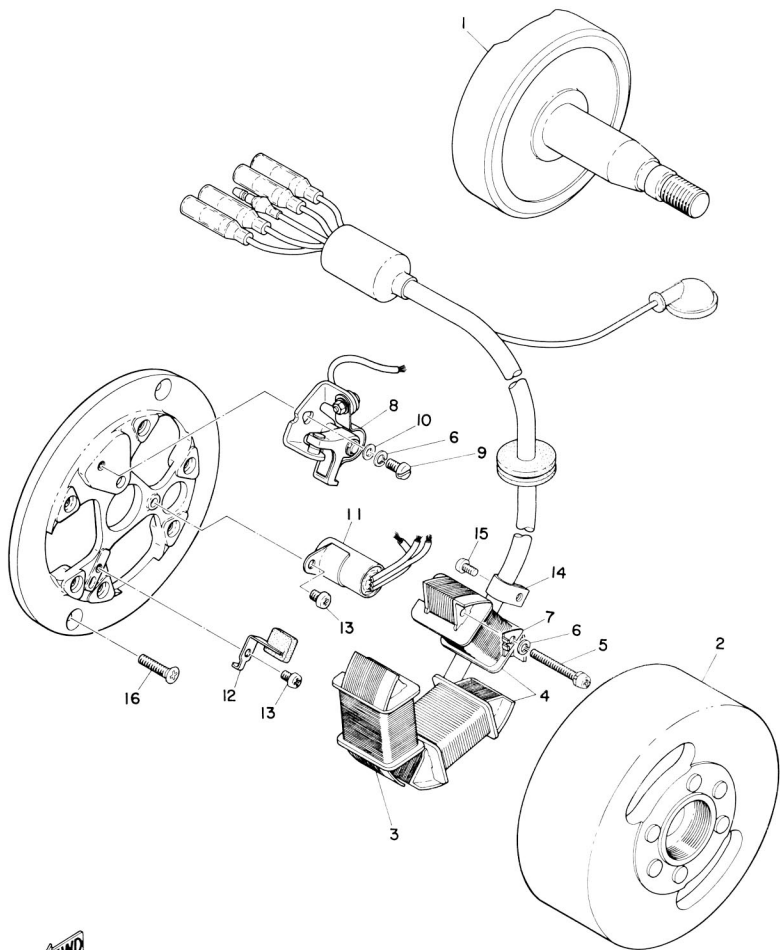


## CONTENTS

|        |  |    |
|--------|--|----|
| Fig. 1 | Crank & Flywheel Magneto .....           | 1  |
| Fig. 2 | Frame, Rear Cushion & Rear Fender.....   | 3  |
| Fig. 3 | Front Fork .....                         | 5  |
| Fig. 4 | Fuel Tank & Oil Tank .....               | 9  |
| Fig. 5 | Head Lamp, Tail Lamp & Speedometer ..... | 11 |
| Fig. 6 | Flasher Lamp .....                       | 15 |
| Fig. 7 | Electrical .....                         | 17 |

## NUMERICAL INDEX

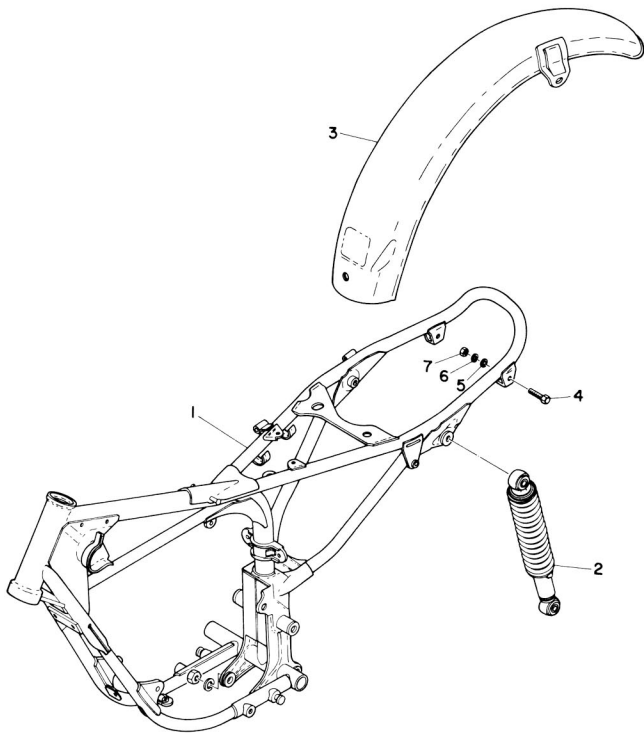
Fig. 1 CRANK & FLYWHEEL MAGNETO



## CRANK & FLYWHEEL MAGNETO

| Ref. No. | Part No.     | Description              | Qty | Applicable<br>Machine No. | Remarks |
|----------|--------------|--------------------------|-----|---------------------------|---------|
| 1- 0-1   | 276-11400-01 | CRANK ASS'Y              | 1   |                           |         |
| 1- 1     | 276-11412-01 | . CRANK , left           | 1   |                           |         |
| 1- 0-2   | 277-81300-11 | FLYWHEEL MAGNETO ASS'Y   | 1   |                           |         |
| 1- 2     | 277-81350-11 | . ROTOR ASS'Y            | 1   |                           |         |
| 1- 3     | 277-81312-10 | . COIL SOURCE            | 1   |                           |         |
| 1- 4     | 277-81313-11 | . LIGHTING COIL ASS'Y    | 1   |                           |         |
| 1- 5     | 110-81348-20 | . SCREW, pan head (4-25) | 6   |                           |         |
| 1- 6     | 92901-04100  | . WASHER, spring         | 7   |                           |         |
| 1- 7     | 277-81332-10 | . PLATE, timing          | 1   |                           |         |
| 1- 8     | 207-81321-10 | . CONTACT BREAKER ASS'Y  | 1   |                           |         |
| 1- 9     | 110-81347-20 | . SCREW, pan head (4-12) | 1   |                           |         |
| 1-10     | 92901-04200  | . WASHER, plain          | 1   |                           |         |
| 1-11     | 277-81326-10 | . CONDENSER              | 1   |                           |         |
| 1-12     | 207-81331-10 | . LUBRICATOR             | 1   |                           |         |
| 1-13     | 110-81345-20 | . SCREW, pan head (4-6)  | 2   |                           |         |
| 1-14     | 109-81328-10 | . CLAMP, lead            | 1   |                           |         |
| 1-15     | 110-81345-20 | . SCREW, pan head (4-6)  | 1   |                           |         |
| 1-16     | 98701-05015  | . SCREW, flat head       | 2   |                           |         |

Fig. 2 FRAME, REAR CUSHION & REAR FENDER

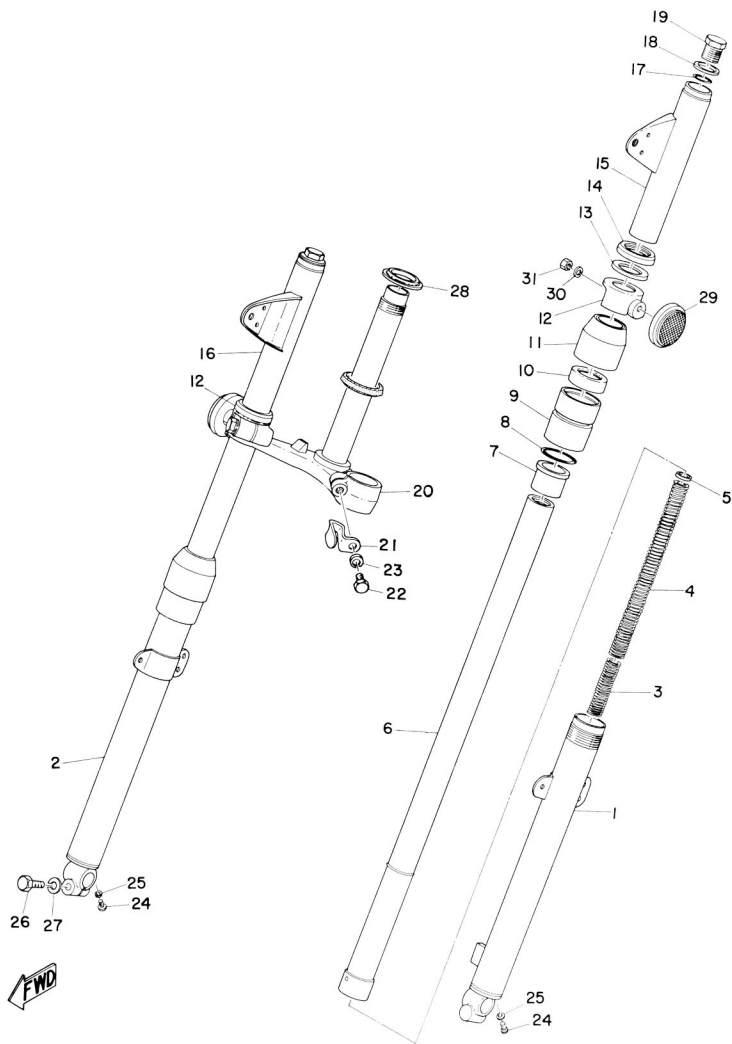




## FRAME, REAR CUSHION & REAR FENDER

| Ref. No. | Part No.        | Description             | Qty | Applicable Machine No. | Remarks |
|----------|-----------------|-------------------------|-----|------------------------|---------|
| 2- 1     | 277-21110-01-33 | FRAME COMP. ....        | 1   |                        |         |
| 2- 2     | 276-22210-21    | REAR CUSHION ASS'Y .... | 2   |                        |         |
| 2- 3     | 277-21610-00-35 | REAR FENDER COMP. ....  | 1   |                        | SILVER  |
| 2- 4     | 97201-08030     | BOLT ....               | 2   |                        |         |
| 2- 5     | 92901-08200     | WASHER, plain ....      | 2   |                        |         |
| 2- 6     | 92901-08100     | WASHER, spring ....     | 2   |                        |         |
| 2- 7     | 98801-08100     | NUT ....                | 2   |                        |         |

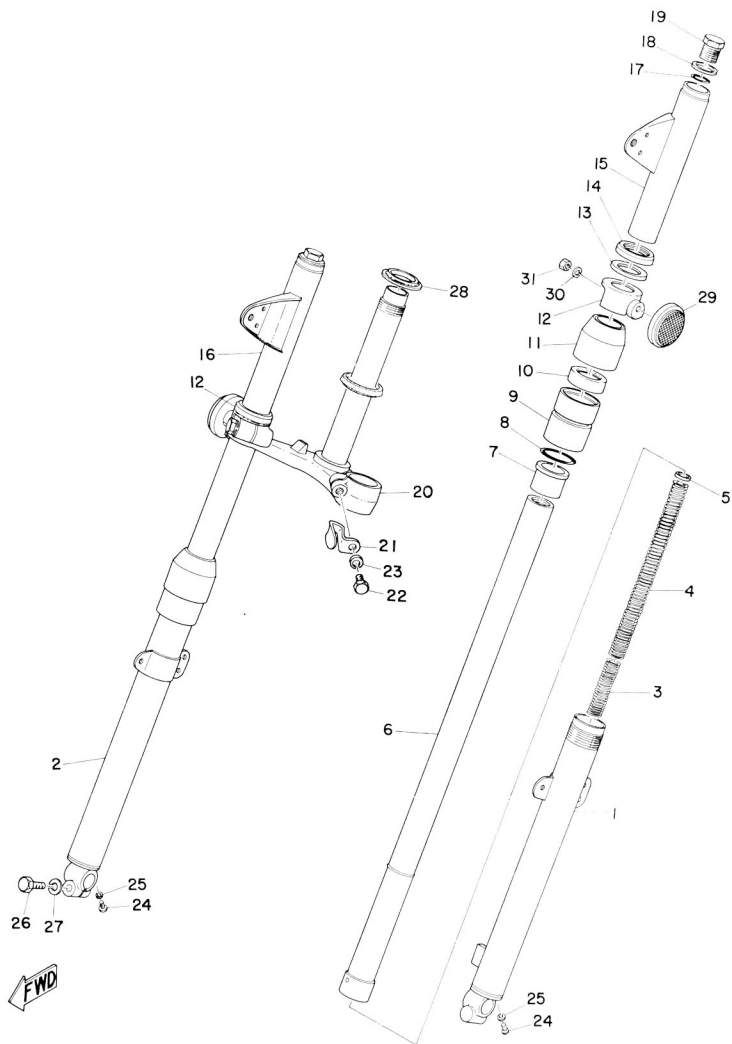
Fig. 3 FRONT FORK



# FRONT FORK

| Ref. No. | Part No.        | Description               | Qty | Applicable Machine No. | Remarks        |
|----------|-----------------|---------------------------|-----|------------------------|----------------|
| 3- 0-1   | 277-23100-61-02 | FRONT FORK ASS'Y          | 1   |                        | Metalic Purple |
| 3- 1     | 276-23126-50-35 | . TUBE, outer left        | 1   |                        | SILVER         |
| 3- 2     | 276-23136-50-35 | . TUBE, outer right       | 1   |                        | SILVER         |
| 3- 3     | 276-23151-50    | . SPRING, fork 2          | 2   |                        |                |
| 3- 4     | 276-23141-50    | . SPRING, fork 1          | 2   |                        |                |
| 3- 5     | 276-23149-50    | . WASHER, spring upper    | 2   |                        |                |
| 3- 6     | 276-23124-50    | . TUBE, inner             | 2   |                        |                |
| 3- 7     | 122-23125-00    | . METAL, slide            | 2   |                        |                |
| 3- 8     | 122-23147-00    | . O-RING                  | 2   |                        |                |
| 3- 9     | 276-23150-50    | . OUTER NUT COMP.         | 2   |                        |                |
| 3-10     | 276-23145-50    | . . OIL SEAL              | 2   |                        |                |
| 3-11     | 276-23144-50    | . SEAL, dust              | 2   |                        |                |
| 3-12     | 277-23122-61    | . COVER, outer            | 2   |                        |                |
| 3-13     | 122-23163-00    | . PACKING (lamp stay)     | 2   |                        |                |
| 3-14     | 276-23116-50    | . GUIDE, cover under      | 2   |                        |                |
| 3-15     | 276-23121-50-34 | . COVER, upper upper left | 1   |                        | Metalic Purple |
| 3-16     | 276-23131-50-34 | . COVER, upper (R.H)      | 1   |                        | Metalic Purple |
| 3-17     | 122-23114-00    | . PACKING (O-RING)        | 2   |                        |                |
| 3-18     | 276-23112-50    | . WASHER, cap bolt        | 2   |                        |                |
| 3-19     | 205-23111-40    | . BOLT, cap               | 2   |                        |                |
| 3-20     | 277-23340-60-33 | . UNDER BRACKET COMP.     | 1   |                        |                |
| 3-21     | 256-23318-60    | . HOLDER, wire            | 1   |                        |                |
| 3-22     | 122-23346-00    | . BOLT, under bracket     | 2   |                        |                |
| 3-23     | 92901-10100     | . WASHER, spring          | 2   |                        |                |

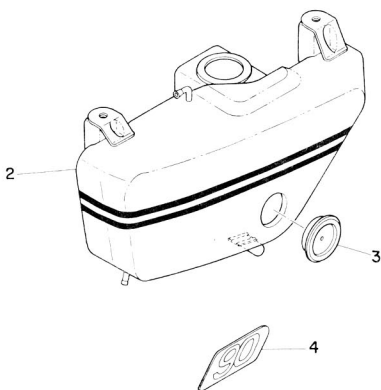
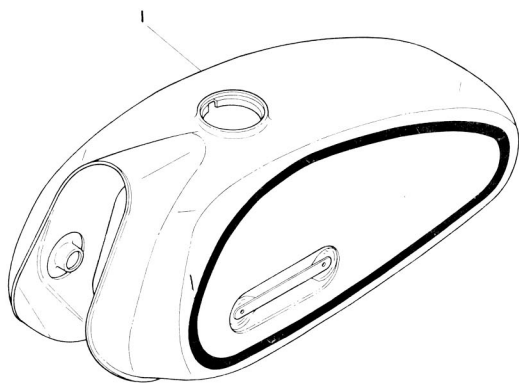
Fig. 3 FRONT FORK



## FRONT FORK

| Ref. No. | Part No.     | Description                | Qty | Applicable<br>Machine No. | Remarks |
|----------|--------------|----------------------------|-----|---------------------------|---------|
| 3-24     | 122-23119-01 | . PLUG, drain .....        | 2   |                           |         |
| 3-25     | 122-23129-00 | . GASKET, drain plug ..... | 2   |                           |         |
| 3-26     | 97201-08025  | . BOLT .....               | 1   |                           |         |
| 3-27     | 92901-08100  | . WASHER, spring .....     | 1   |                           |         |
| 3-28     | 156-23411-00 | . RACE, ball 1 .....       | 1   |                           |         |
| 3-29     | 256-85111-00 | . REFLECTOR 1 .....        | 2   |                           |         |
| 3-30     | 92901-05100  | . WASHER, spring .....     | 2   |                           |         |
| 3-31     | 98801-05100  | . NUT .....                | 2   |                           |         |

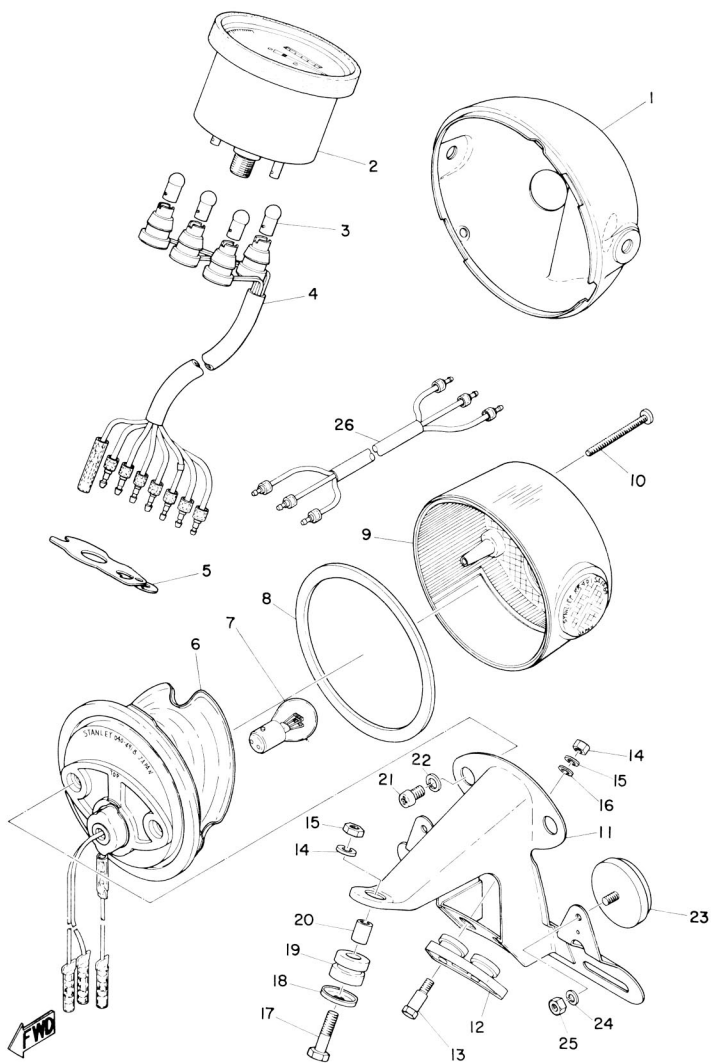
Fig. 4 FUEL TANK & OIL TANK



## FUEL TANK &amp; OIL TANK

| Ref. No. | Part No.        | Description           | Q'ty | Applicable<br>Machine No. | Remarks         |
|----------|-----------------|-----------------------|------|---------------------------|-----------------|
| 4- 1     | 276-24110-00-04 | FUEL TANK COMP. ....  | 1    |                           | Metallic Purple |
| 4- 2     | 276-21705-00-02 | OIL TANK ASS'Y ....   | 1    |                           | Metallic Purple |
| 4- 3     | 214-21761-00    | . GAUGE, level ....   | 1    |                           |                 |
| 4- 4     | 277-21787-01    | EMBLEM, oil tank .... | 1    |                           |                 |

Fig. 5 HEAD LAMP, TAIL LAMP & SPEEDOMETER

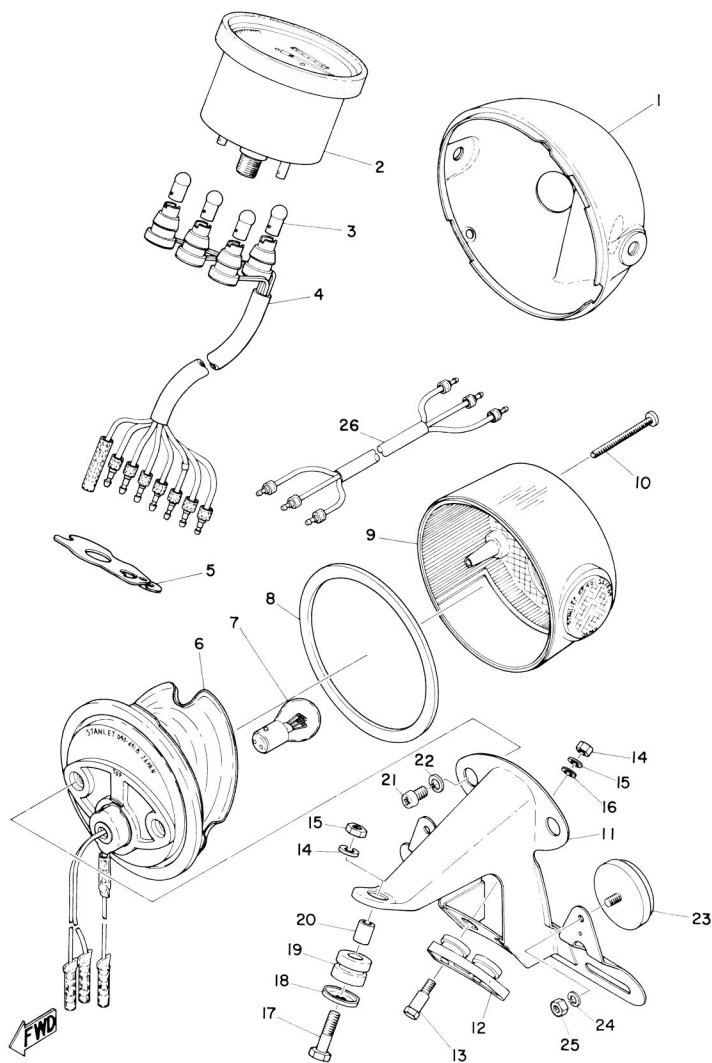




## HEAD LAMP, TAIL LAMP & SPEEDOMETER

| Ref. No. | Part No.        | Description                        | Q'ty | Applicable Machine No. | Remarks        |
|----------|-----------------|------------------------------------|------|------------------------|----------------|
| 5- 1     | 277-84130-60-34 | BODY ASS'Y .....                   | 1    |                        | Metalic Purple |
| 5- 2     | 277-83510-61    | SPEEDOMETER ASS'Y .....            | 1    |                        | mil/h          |
| 5- 3     | 122-83516-10    | . BULB (6V 17/5. 3V) .....         | 4    |                        |                |
| 5- 4     | 277-83520-61    | . SOCKET ASS'Y .....               | 1    |                        |                |
| 5- 5     | 276-83519-01-33 | BRACKET, meter .....               | 1    |                        |                |
| 5- 0-1   | 275-84510-60    | TAIL LAMP UNIT ASS'Y .....         | 1    |                        |                |
| 5- 6     | 275-84511-60    | . BASE, tail lamp .....            | 1    |                        |                |
| 5- 7     | 122-84514-30    | . BULB, tail lamp (6V 17V/5. 3W) . | 1    |                        |                |
| 5- 8     | 275-84523-60    | . GASKET, tail lens .....          | 1    |                        |                |
| 5- 9     | 275-84521-60    | . LENS, tail lamp .....            | 1    |                        |                |
| 5-10     | 275-84524-60    | . SCREW, lens fitting .....        | 3    |                        |                |
| 5-11     | 275-84551-60-35 | BRACKET, license .....             | 1    |                        |                |
| 5-12     | 214-84553-01    | DAMPER .....                       | 1    |                        |                |
| 5-13     | 168-21738-00    | BOLT .....                         | 2    |                        |                |
| 5-14     | 92801-06100     | NUT .....                          | 3    |                        |                |
| 5-15     | 92901-06100     | WASHER, spring .....               | 3    |                        |                |
| 5-16     | 92901-08200     | WASHER, plain .....                | 2    |                        |                |
| 5-17     | 91203-06025     | BOLT .....                         | 1    |                        |                |
| 5-18     | 102-28323-00    | WASHER, legshield .....            | 1    |                        |                |
| 5-19     | 214-21717-00    | DAMPER, battery box .....          | 1    |                        |                |
| 5-20     | 214-21633-00    | COLLAR, fender mount .....         | 1    |                        |                |
| 5-21     | 92501-06010     | SCREW, pan head .....              | 2    |                        |                |
| 5-22     | 92901-06100     | NUT .....                          | 2    |                        |                |
| 5-23     | 278-85111-00    | REFLECTOR 1 .....                  | 2    |                        |                |

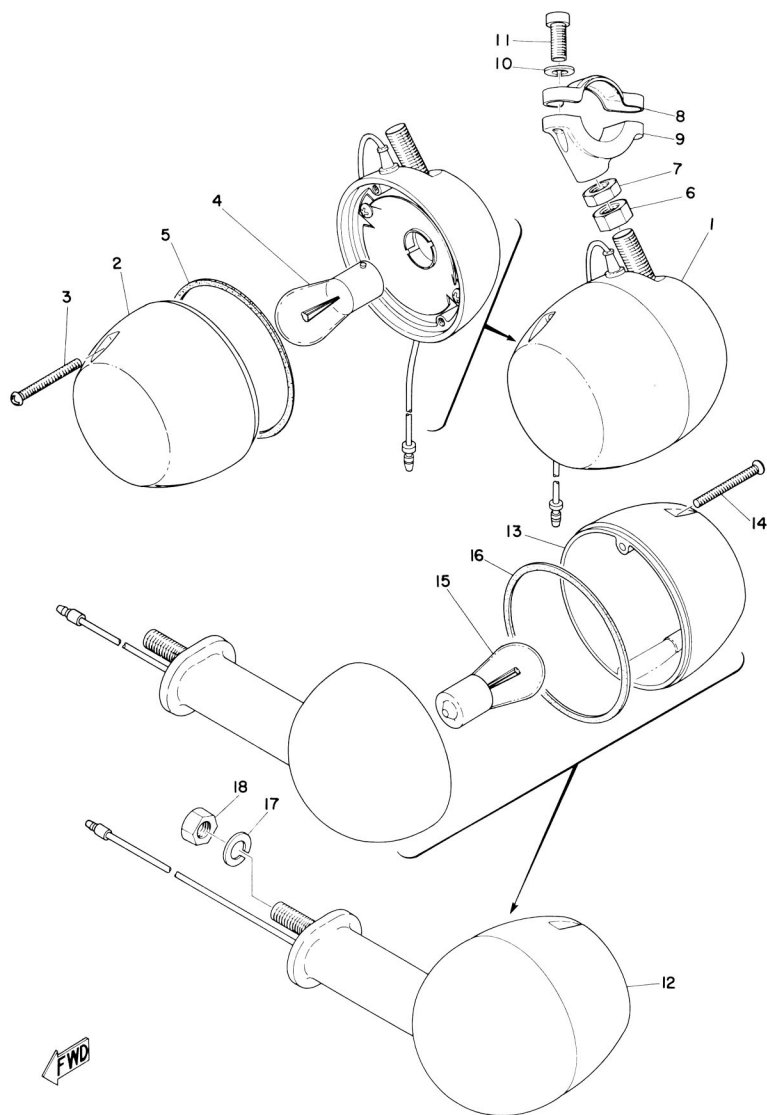
Fig. 5 HEAD LAMP, TAIL LAMP & SPEEDOMETER



## HEAD LAMP, TAIL LAMP & SPEEDOMETER

| Ref. No. | Part No.     | Description           | Q'ty | Applicable<br>Machine No. | Remarks |
|----------|--------------|-----------------------|------|---------------------------|---------|
| 5-24     | 92903-05100  | WASHER, spring .....  | 2    |                           |         |
| 5-25     | 92503-05100  | NUT .....             | 2    |                           |         |
| 5-26     | 277-84717-60 | CORD, tail lamp ..... | 1    |                           |         |

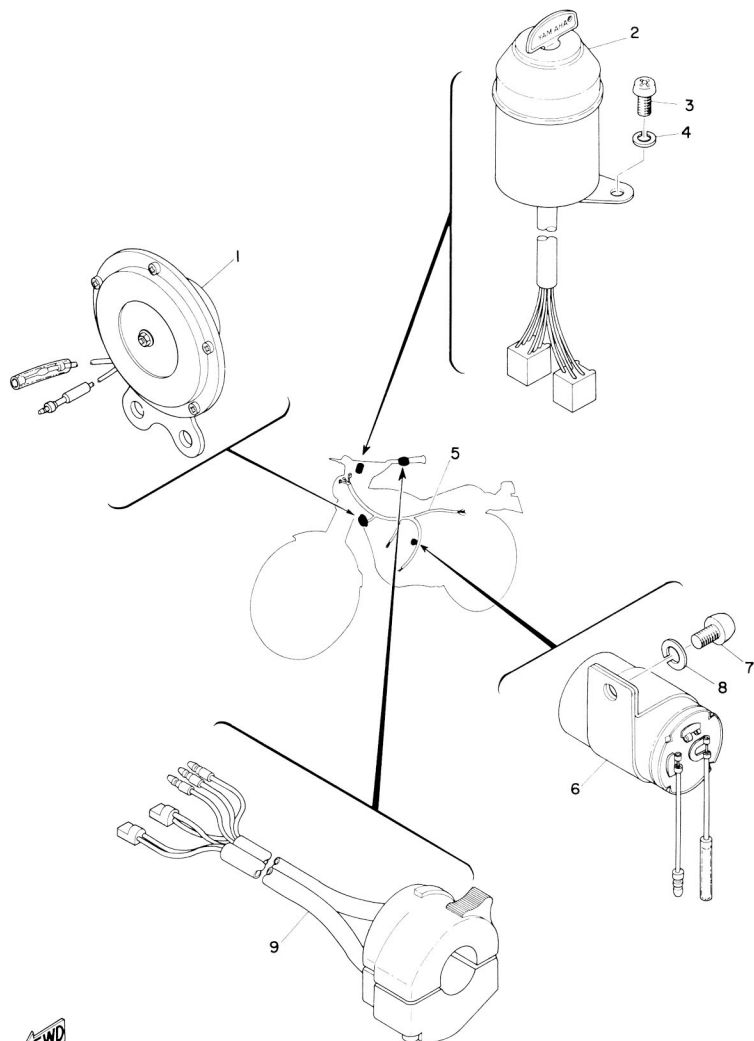
Fig. 6 FLASHER LAMP



## FLASHER LAMP

| Ref. No. | Part No.        | Description                   | Q'ty | Applicable<br>Machine No. | Remarks |
|----------|-----------------|-------------------------------|------|---------------------------|---------|
| 6- 1     | 277-83310-60-93 | FRONT FLASHER LAMP ASS'Y ...  | 2    |                           | AMBER   |
| 6- 2     | 183-83312-70    | . LENS, flasher .....         | 2    |                           |         |
| 6- 3     | 183-83333-71    | . SCREW, lens fitting .....   | 4    |                           |         |
| 6- 4     | 115-83311-60    | . BULB, (6V 21CP) .....       | 2    |                           |         |
| 6- 5     | 183-83313-70    | . GASKET, flasher lens .....  | 2    |                           |         |
| 6- 6     | 98803-08100     | . NUT .....                   | 2    |                           |         |
| 6- 7     | 98803-08300     | NUT .....                     | 2    |                           |         |
| 6- 8     | 275-83318-00    | STAY, flasher 1 .....         | 2    |                           |         |
| 6- 9     | 275-83328-00    | STAY, flasher 2 .....         | 2    |                           |         |
| 6-10     | 92901-06100     | WASHER, spring .....          | 4    |                           |         |
| 6-11     | 92503-06015     | SCREW, pan head .....         | 4    |                           |         |
| 6-12     | 277-83330-66-93 | REAR FLASHER LAMP ASS'Y left  | 1    |                           |         |
|          | 277-83340-66-93 | REAR FLASHER LAMP ASS'Y right | 1    |                           |         |
| 6-13     | 211-83332-75    | . LENS, flasher .....         | 2    |                           | RED     |
| 6-14     | 183-83333-71    | . SCREW, lens fitting .....   | 4    |                           |         |
| 6-15     | 115-83311-60    | . BULB, (6V 21CP) .....       | 2    |                           |         |
| 6-16     | 183-83313-70    | . GASKET, flasher lens .....  | 2    |                           |         |
| 6-17     | 92901-08100     | WASHER, spring .....          | 2    |                           |         |
| 6-18     | 98801-08100     | NUT .....                     | 2    |                           |         |

Fig.7 ELECTRICAL



| Ref. No. | Part No.     | Description               | Q'ty | Applicable Machine No. | Remarks |
|----------|--------------|---------------------------|------|------------------------|---------|
| 7- 1     | 214-83371-10 | HORN .....                | 1    |                        |         |
| 7- 2     | 276-82508-20 | MAIN SWITCH ASS'Y .....   | 1    |                        |         |
| 7- 3     | 92501-06010  | SCREW, pan head .....     | 1    |                        |         |
| 7- 4     | 92901-06100  | WASHER, spring .....      | 1    |                        |         |
| 7- 5     | 277-82590-21 | WIRE HARNESS ASS'Y .....  | 1    |                        |         |
| 7- 6     | 115-83350-60 | FLASHER RELAY ASS'Y ..... | 1    |                        |         |
| 7- 7     | 92501-06010  | SCREW, pan head .....     | 1    |                        |         |
| 7- 8     | 92901-06100  | WASHER, spring .....      | 1    |                        |         |
| 7- 9     | 233-83973-00 | SWITCH, handle 3 .....    | 1    |                        |         |





# NUMERICAL INDEX

| Ref No. | Parts No.    | Ref No. | Parts No.       | Ref No. | Parts No.       |
|---------|--------------|---------|-----------------|---------|-----------------|
| 5-18    | 102-28323-00 | 6- 9    | 275-83328-00    | 1- 2    | 277-81350-11    |
| 1-14    | 109-81328-10 | 5- 0-1  | 275-84510-60    | 7- 5    | 277-82590-21    |
| 1-13    | 110-81345-20 | 5- 6    | 275-84511-60    | 6- 1    | 277-83310-60-93 |
| 1-15    | 110-81345-20 | 5- 9    | 275-84521-60    | 6-12    | 277-83330-66-93 |
| 1- 9    | 110-81347-20 | 5- 8    | 275-84523-60    | 6-12    | 277-83340-66-93 |
| 1- 5    | 110-81348-20 | 5-10    | 275-84524-60    | 5- 2    | 277-83510-61    |
| 6- 4    | 115-83311-60 | 5-11    | 275-84551-60-35 | 5- 4    | 277-83520-61    |
| 6-15    | 115-83311-60 | 1- 0-1  | 276-11400-01    | 5- 1    | 277-84130-60-34 |
| 7- 6    | 115-83350-60 | 1- 1    | 276-11412-01    | 5-26    | 277-84717-60    |
| 3-17    | 122-23114-00 | 4- 2    | 276-21705-00-02 | 5-23    | 278-85111-00    |
| 3-24    | 122-23119-01 | 2- 2    | 276-22210-21    | 5-17    | 91203-06025     |
| 3- 7    | 122-23125-00 | 3-19    | 276-23112-50    | 5-21    | 92501-06010     |
| 3-25    | 122-23129-00 | 3-14    | 276-23116-50    | 7- 3    | 92501-06010     |
| 3- 8    | 122-23147-00 | 3-15    | 276-23121-50-34 | 7- 7    | 92501-06010     |
| 3-13    | 122-23163-00 | 3- 6    | 276-23124-50    | 6-11    | 92503-06015     |
| 3-22    | 122-23346-00 | 3- 1    | 276-23126-50-35 | 5-25    | 92503-05100     |
| 5- 3    | 122-83516-10 | 3-16    | 276-23131-50-34 | 5-14    | 92801-06100     |
| 5- 7    | 122-84514-30 | 3- 2    | 276-23136-50-35 | 1- 6    | 92901-04100     |
| 3-28    | 156-23411-00 | 3- 4    | 276-23141-50    | 1-10    | 92901-04200     |
| 5-13    | 168-21738-00 | 3-11    | 276-23144-50    | 3-30    | 92901-05100     |
| 6- 2    | 183-83312-70 | 3-10    | 276-23145-50    | 5-15    | 92901-06100     |
| 6- 5    | 183-83313-70 | 3- 5    | 276-23149-50    | 5-22    | 92901-06100     |
| 6-16    | 183-83313-70 | 3- 9    | 276-23150-50    | 6-10    | 92901-06100     |
| 6- 3    | 183-83333-71 | 3- 3    | 276-23151-50    | 7- 4    | 92901-06100     |
| 6-14    | 183-83333-71 | 4- 1    | 276-24110-00-04 | 7- 8    | 92901-06100     |
| 3-18    | 205-23111-40 | 7- 2    | 276-82508-20    | 2- 6    | 92901-08100     |
| 1- 8    | 207-81321-10 | 5- 5    | 276-83519-01-33 | 3-27    | 92901-08100     |
| 1-12    | 207-81331-10 | 2- 1    | 277-21110-01-33 | 6-17    | 92901-08100     |
| 6-13    | 211-83332-75 | 2- 3    | 277-21610-00-35 | 2- 5    | 92901-08200     |
| 5-20    | 214-21633-00 | 4- 4    | 277-21787-01    | 5-16    | 92901-08200     |
| 5-18    | 214-21717-00 | 3- 0-1  | 277-23100-61-02 | 3-23    | 92901-10100     |
| 4- 3    | 214-21761-00 | 3-12    | 277-23122-61    | 5-24    | 92903-05100     |
| 7- 1    | 214-83371-10 | 3-20    | 277-23340-60-33 | 3-26    | 97201-08025     |
| 5-12    | 214-84553-01 | 1- 0-2  | 277-81300-11    | 2- 4    | 97201-08030     |
| 7- 9    | 233-83973-00 | 1- 3    | 277-81312-10    | 1-16    | 98701-05015     |
| 3-21    | 256-23318-60 | 1- 4    | 277-81313-11    | 3-31    | 98801-05100     |
| 3-29    | 256-85111-00 | 1-11    | 277-81326-10    | 2- 7    | 98801-08100     |
| 6- 8    | 275-83318-00 | 1- 7    | 277-81332-10    | 6-18    | 98801-08100     |

## NUMERICAL INDEX

| Ref No. | Parts No.   | Ref No. | Parts No. | Ref No. | Parts No. |
|---------|-------------|---------|-----------|---------|-----------|
| 6- 6    | 98803-08100 |         |           |         |           |
| 6- 7    | 98803-08300 |         |           |         |           |





**YAMAHA MOTOR CO., LTD.**

**PRINTED IN JAPAN**

**First edition, Aug., 1970**

For private use only, copyright Yamaparts.com





**YAMAHA MOTOR CO., LTD.**  
PRINTED IN JAPAN

For private use only, copyright Yamaparts.com