



**YAMAHA**

**PARTS LIST**

**MODEL RD125**

**YAMAHA MOTOR CO., LTD.**



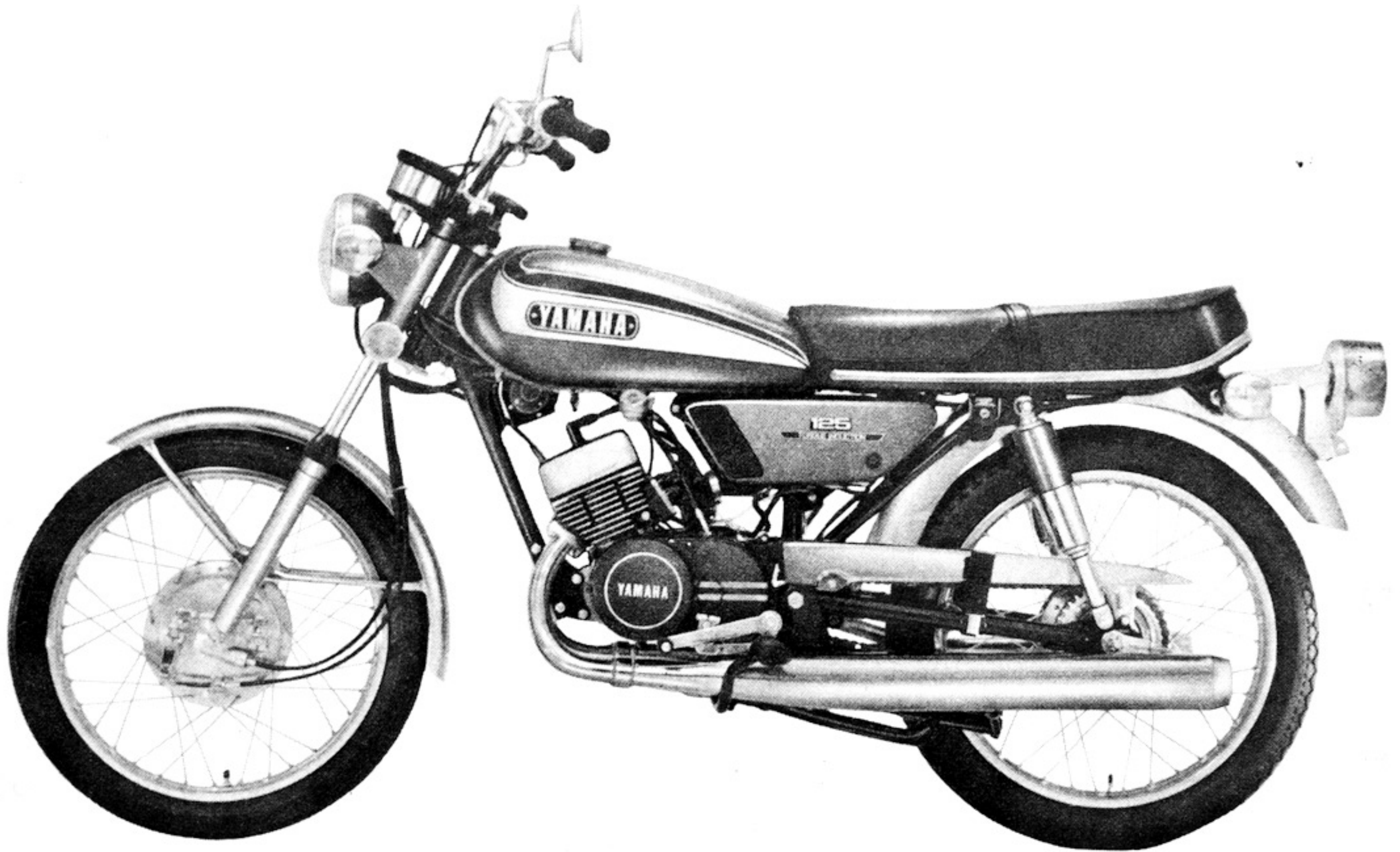


# **YAMAHA**

## **PARTS LIST**

### **MODEL RD125**





CC

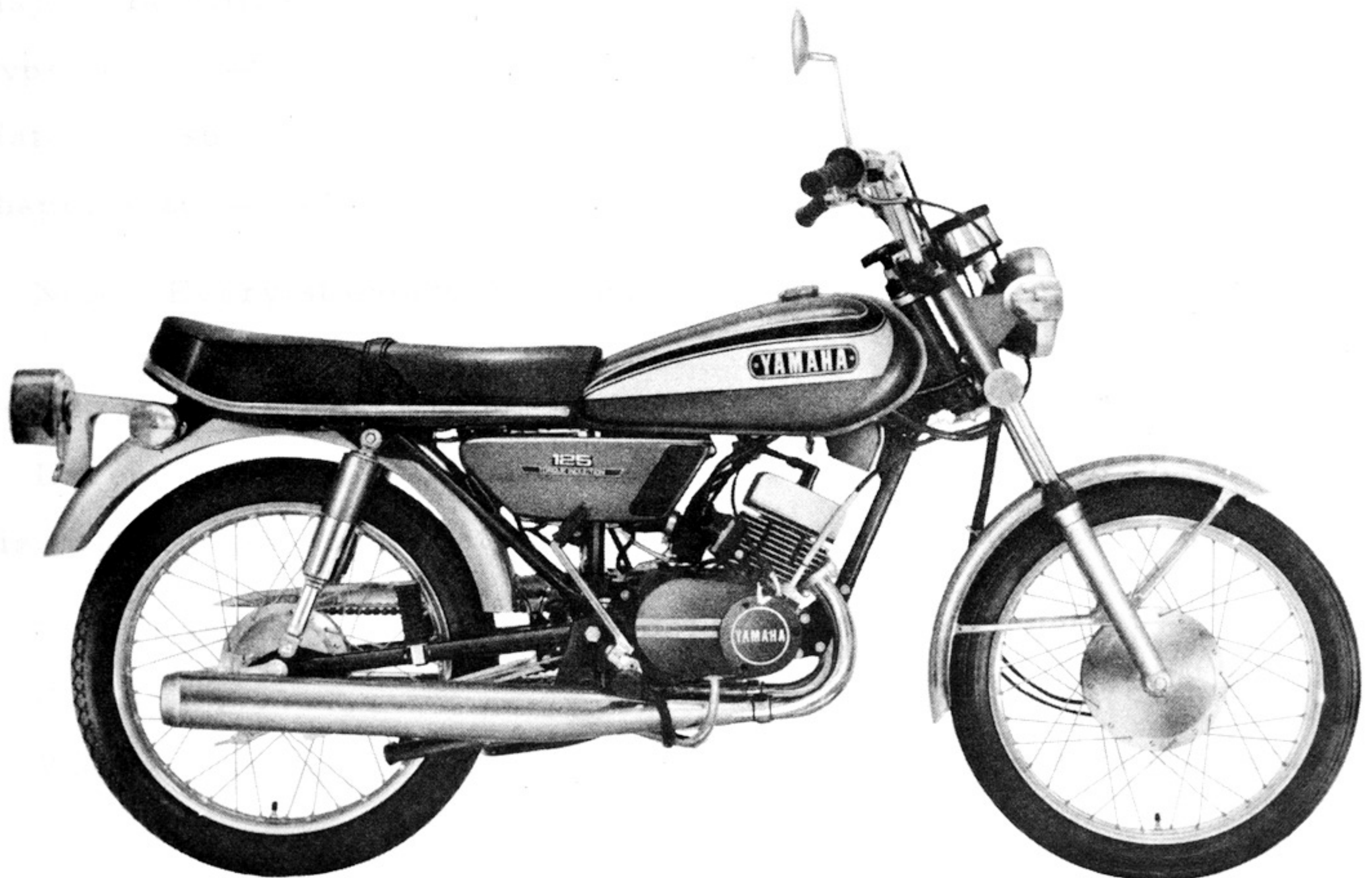
Stroke

Max. Power (PS)

Type

Max. Speed

Seat



2.

(1)

Size

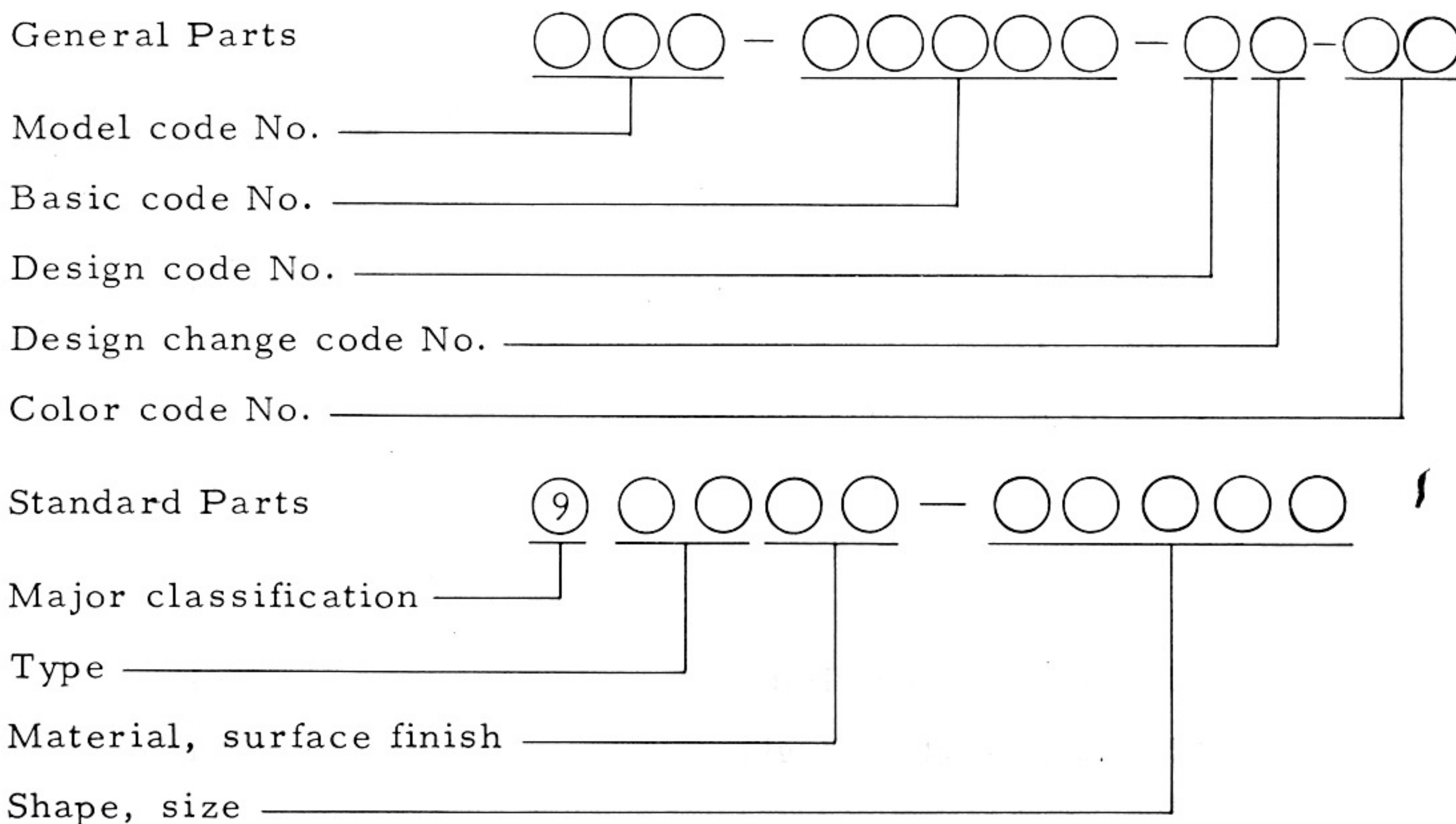


## FOREWORD

This Parts List related to the parts in use for the YAMAHA RD125. When you ordering replacement parts for the RD125, refer to this Parts List and write both part numbers and part names correctly.

### 1. Structure of Part No.

Yamaha parts are divided largely into two categories; general parts and standard parts, and each part No. has the following structure:



Note: Every standard No. begins with 9.

### 2. How to Use this Parts List

(1) Except for steel balls (whose size is indicated in inches), the size of all parts is indicated in millimeters in the following manner.

- Pipe (rubber or vinyl) . . . . Inside diameter - length
- O-ring . . . . . Section area - inside diameter
- Washer, shim, collar . . . . . Inside diameter - outside diameter - thickness (length)

(2) Parts, which are to be supplied in the form of assemblies, are listed with an indention of one letter's space, and a dot (.) is put

against the name of each part. If any two different assemblies (e.g., right and left side components) consist of almost the same type components, these two assemblies are listed in two lines, and then the names of component parts are listed in the subsequent lines with an indention as mentioned earlier. The quantity of parts is given in the following manner; that is, in the case of parts being the same in type between the right and left, a total quantity of parts is given. On the other hand, if the right and left side parts are different in type, the quantity of part(s) on each side is given.

Example

Description	Q'ty
CARBURETOR ASS'Y, left	1
CARBURETOR ASS'Y, right	1
. JET, pilot	2
. NOZZLE, main	2
⋮	
. LEVER, starter, left	1
. LEVER, starter, right	1

(3) Key to Symbols

U.R.	.....	Use size (thickness) and/or number as required
T	.....	Number of teeth in a gear
V	.....	Voltage for light bulbs
S	.....	"S" type oil seal or "S" type circlip
SD	.....	"SD" type oil seal
SO	.....	"SO" type oil seal
SW	.....	"SW" type oil seal
E	.....	"E" type circlip
R	.....	"R" type circlip
F/No.	.....	Frame No. (Applicable machine No.)





- (4) The right and left in relation to parts are determined on the basis of the rider facing toward the front.
- (5) This Parts List is based on the model in the production line on Jan., 1973. Accordingly, if any modifications which have been made to parts will be announced in the Yamaha Parts News. It is advisable that according to the Yamaha Parts News, You will make necessary corrections to the Parts List on hand to keep it up-to dated.



# CONTENTS

## ENGINE

Fig. 1	Crankcase • Cylinder .....	1
Fig. 2	Crankcase Cover .....	5
Fig. 3	Crank • Piston .....	9
Fig. 4	Clutch .....	13
Fig. 5	Transmission .....	15
Fig. 6	Shifter 1 .....	19
Fig. 7	Shifter 2 .....	23
Fig. 8	Kick Starter .....	25
Fig. 9	Tachometer Gear .....	27
Fig. 10	Intake .....	29
Fig. 11	Carburetor .....	33
Fig. 12	Exhaust .....	37
Fig. 13	Oil Pump .....	39
Fig. 14	A. C. Generator .....	43

## CHASSIS

Fig. 15	Frame .....	47
Fig. 16	Side Cover • Box .....	49
Fig. 17	Rear Arm • Rear Cushion • Chain Case .....	51
Fig. 18	Stand • Footrest • Brake Pedal .....	55
Fig. 19	Front Fender • Rear Fender .....	59
Fig. 20	Front Fork .....	61
Fig. 21	Steering .....	65
Fig. 22	Handle • Wire .....	69
Fig. 23	Fuel Tank .....	75
Fig. 24	Oil Tank .....	77
Fig. 25	Seat .....	79
Fig. 26	Front Wheel .....	81

Fig. 27	Rear Wheel	.....	85
Fig. 28	Head Lamp	.....	91
Fig. 29	Speedometer · Tachometer	.....	93
Fig. 30	Tail Lamp	.....	95
Fig. 31	Flasher Lamp	.....	99
Fig. 32	Electrical	.....	101

## NUMERICAL INDEX



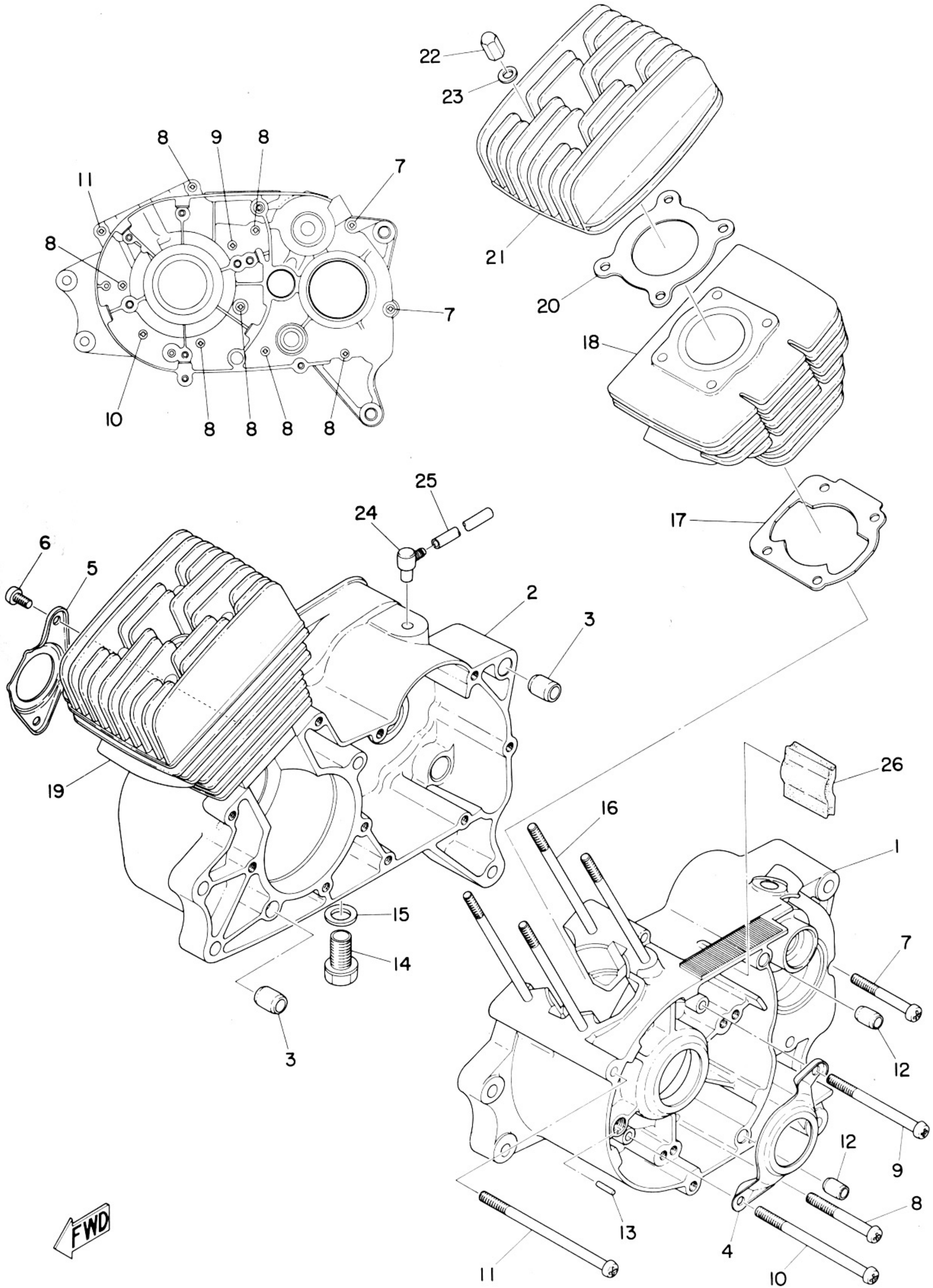
# ENGINE







Fig. 1 CRANKCASE · CYLINDER

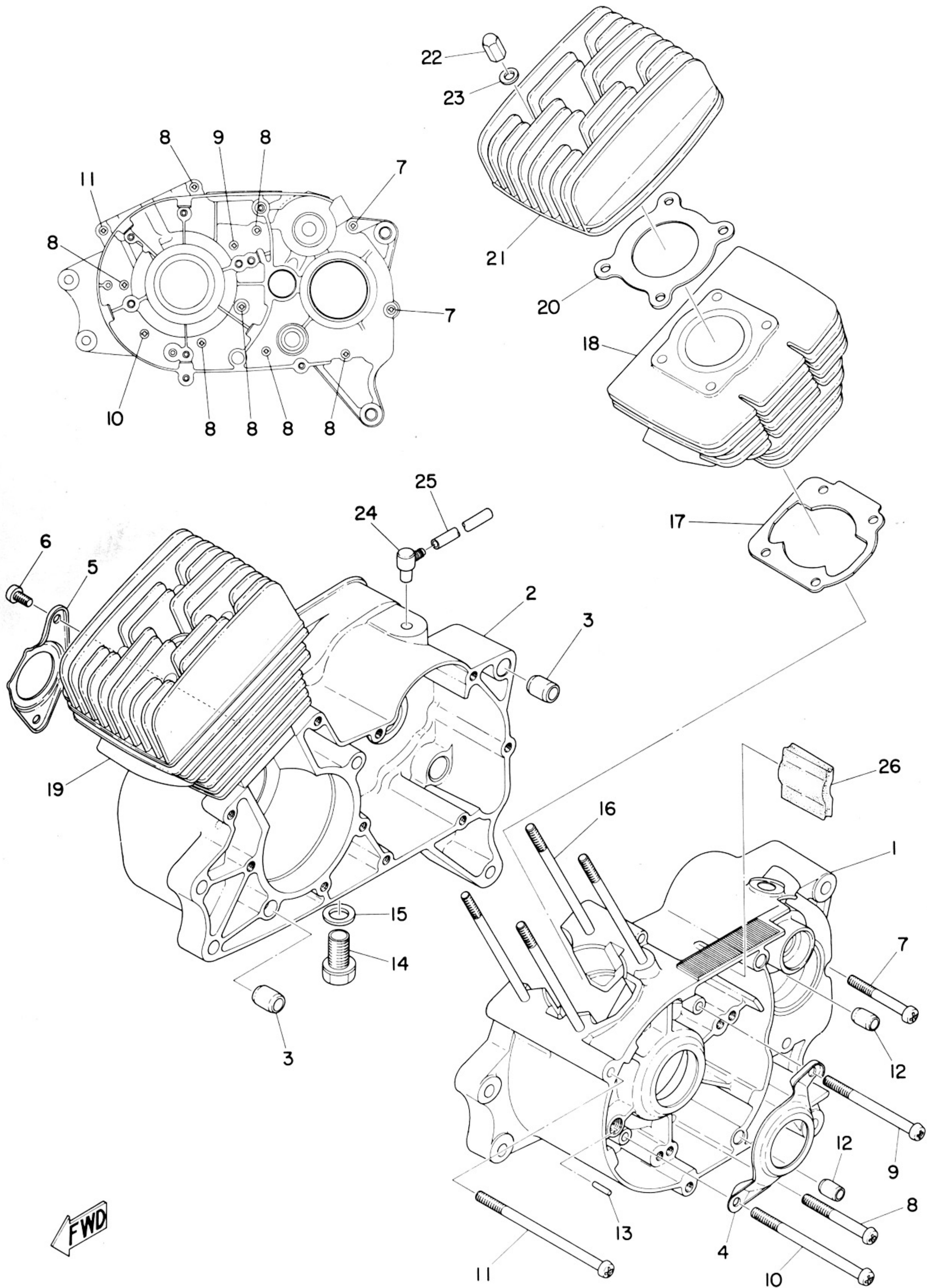




# CRANKCASE · CYLINDER

Ref. No.	Parts No.	Description	Q'ty	Applicable Machine No.	Remarks
1- 1	389-15111-00	CASE, crank left	1		
1- 2	389-15121-00	CASE, crank right	1		
1- 3	91810-05016	PIN, dowel (9.8-12-16)	2		
1- 4	389-15128-00	HOLDER	1		
1- 5	389-15118-00	HOLDER	1		
1- 6	92501-06012	SCREW, panhead	2		
1- 7	92501-06055	SCREW, panhead	2		
1- 8	92501-06060	SCREW, panhead	7		
1- 9	92501-06095	SCREW, panhead	1		
1-10	92501-06105	SCREW, panhead	1		
1-11	92501-06120	SCREW, panhead	1		
1-12	91801-03014	PIN, dowel (8.4-10-14)	2		
1-13	93603-14026	PIN, dowel (3-14)	1		
1-14	132-15351-00	PLUG, drain	1		
1-15	132-15353-00	GASKET, drain plug	1		
1-16	122-11361-00	BULT, cylinder holding	8		
1-17	396-11351-00	GASKET, cylinder	2		
1-18	396-11311-01	CYLINDER, left	1		
1-19	396-11321-01	CYLINDER, right	1		
1-20	183-11181-00	GASKET, cylinder head	2		
1-21	396-11111-00	HEAD, cylinder	2		
1-22	126-11171-60	NUT, holding	8		
1-23	92901-06200	WASHER, plain	8		

Fig. 1 CRANKCASE · CYLINDER



# CRANKCASE · CYLINDER

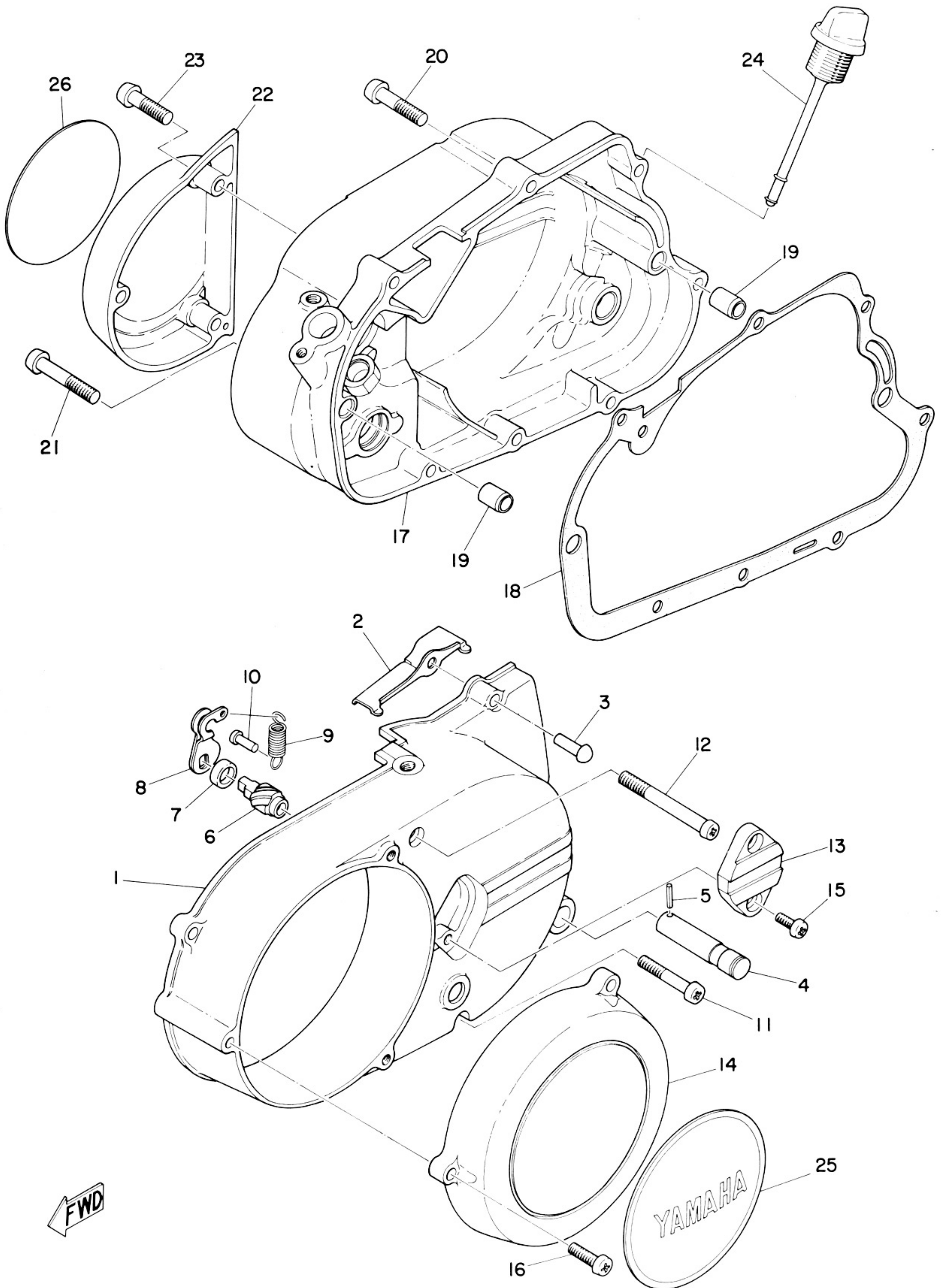
Ref. No.	Parts No.	Description	Q'ty	Applicable Machine No.	Remarks
1-24	120-15371-00	BREATHER .....	1		
1-25	248-15373-00	PIPE, breather .....	1		
1-26	241-15357-00	GROMMET .....	1		



# CRANKCASE COVER

Ref. No.	Parts No.	Description	Q'ty	Applicable Machine No.	Remarks
2- 1	396-15410-00	CRANKCASE COVER ASS'Y, left	1		
2- 2	183-15418-01	. COVER, chain case	1		
2- 3	183-15448-00	. RIVET	1		
2- 4	307-18188-00	. SHAFT	1		
2- 5	91609-30014	. PIN, spring	1		
2- 6	241-16341-01	. SCREW, bushing	1		
2- 7	93104-11028	. OIL SEAL (SO-10.5-15-3)	1		
2- 8	241-16342-00	. LEVER, push	1		
2- 9	132-16345-00	. SPRING, lever return	1		
2-10	132-16346-00	. FORK, spring	1		
2-11	92506-06035	SCREW, panhead	2		
2-12	92506-06060	SCREW, panhead	1		
2-13	396-15417-00	COVER, cap	1		
2-14	389-15415-00	COVER, generator	1		
2-15	98506-05012	SCREW, panhead	2		
2-16	92506-06020	SCREW, panhead	3		
2-17	396-15421-00	COVER, crankcase right	1		
2-18	252-15451-00	GASKET, crankcase cover right	1		
2-19	91810-02014	PIN, dowel (8.5-10-14)	2		
2-20	92506-06030	SCREW, panhead	7		
2-21	92506-06040	SCREW, panhead	1		
2-22	389-15416-00	COVER, oil pump	1		
2-23	92506-06035	SCREW, panhead	3		

Fig. 2 CRANKCASE COVER

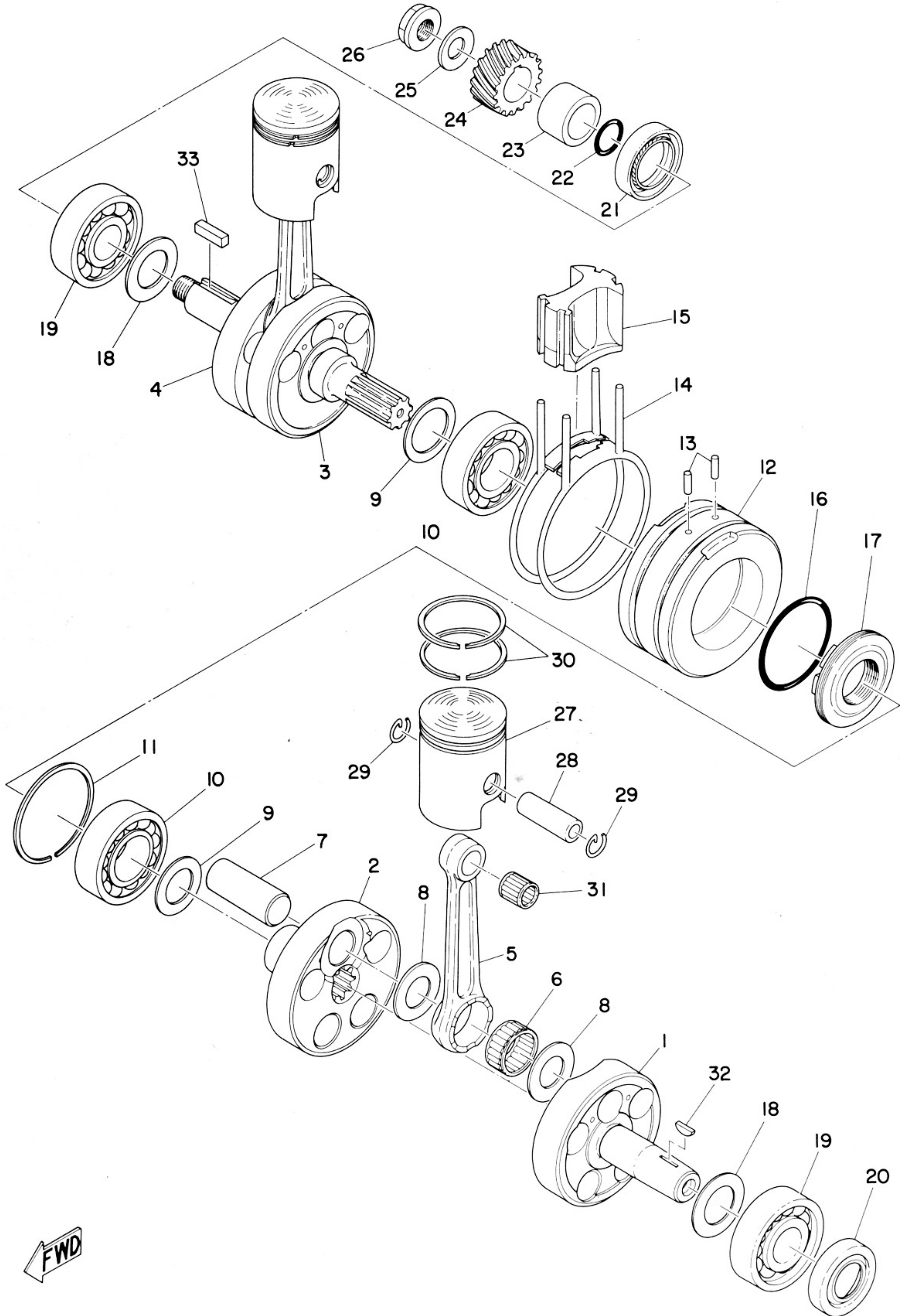


# CRANKCASE COVER

Ref. No.	Parts No.	Description	Q'ty	Applicable Machine No.	Remarks
2-24	307-15363-00	PLUG, oil .....	1		
2-25	389-15426-00	COVER .....	1		
2-26	389-15425-00	COVER .....	1		



Fig. 3 CRANK · PISTON



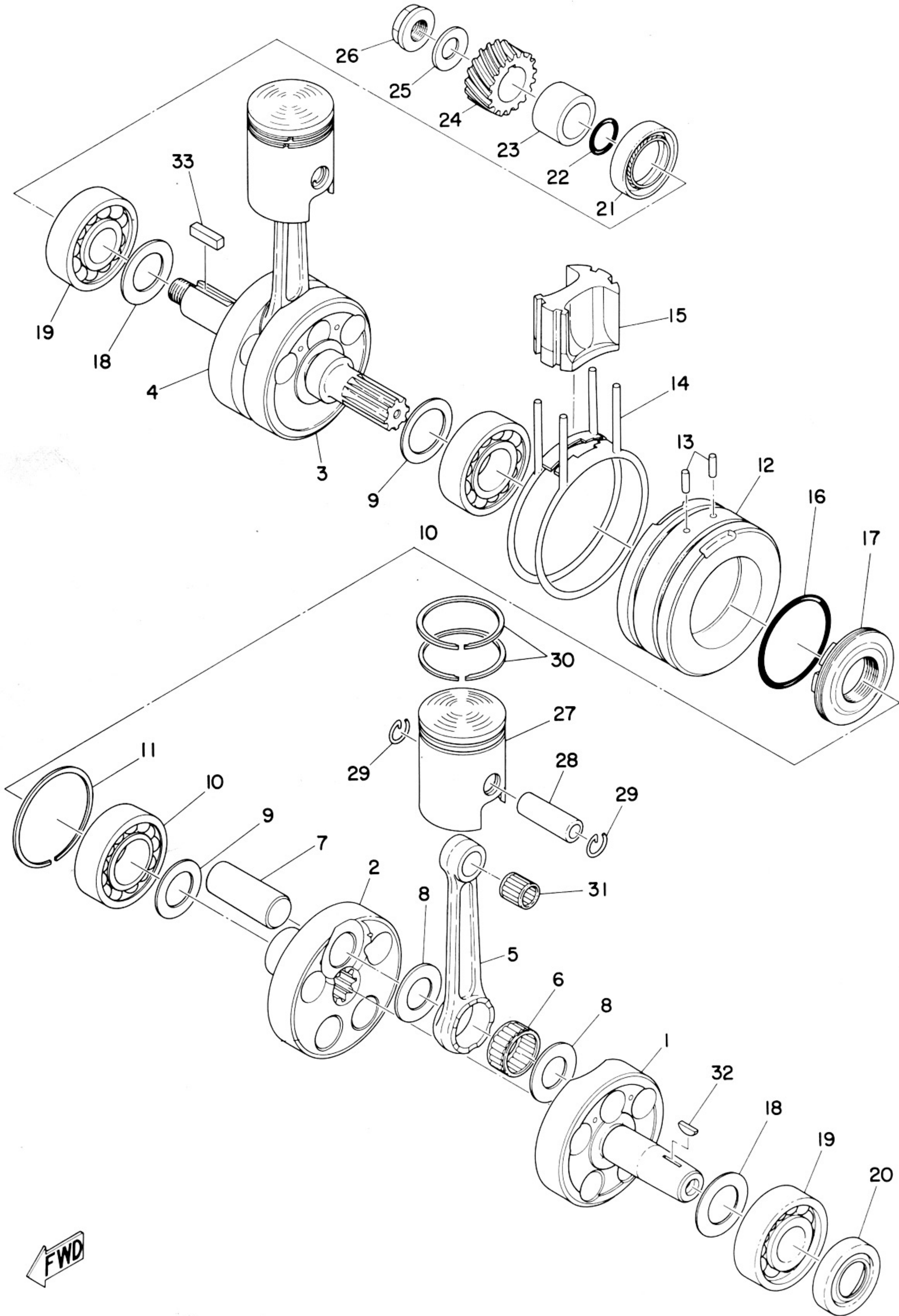
FWD



# CRANK · PISTON

Ref. No.	Parts No.	Description	Q'ty	Applicable Machine No.	Remarks
3- 0-1	389-11400-00	CRANK ASS'Y .....	1		
3- 1	183-11412-02	. CRANK 1, left .....	1		
3- 2	132-11422-03	. CRANK 1, right .....	1		
3- 3	132-11432-03	. CRANK 2, left .....	1		
3- 4	389-11442-00	. CRANK 2, right .....	1		
3- 5	183-11651-00	. ROD, connecting .....	2		
3- 6	93310-41809	. BEARING .....	2		
3- 7	122-11681-00	. PIN, crank .....	2		
3- 8	132-11685-00	. WASHER, crank pin .....	4		
3- 9	132-11561-00-03	. SHIM, crank inside (25.5-35-0.3) .....	2		
3-10	93306-20517	. BEARING (6205C4 special) ..	2		
3-11	93450-52010	. CIRCLIP (S-52) .....	1		
3-12	132-11511-02	. COVER, crank .....	1		
3-13	93604-18058	. PIN, dowel (4-17.8) .....	2		
3-14	183-11512-00	. SEAL, crankcover .....	2		
3-15	307-11541-00	. METAL, filler .....	1		
3-16	93210-48045	. O-RING (1.8-4.8) .....	1		
3-17	132-11515-01	. SEAL, labyrinth .....	1		
3-18	136-11561-00-03	SHIM, crank outside (20.5-30-0.3) .....	} U. R 2		
	136-11561-00-04	SHIM, crank outside (20.5-30-0.4) .....			
	136-11561-00-05	SHIM, crank outside (20.5-30-0.5) .....			
	136-11561-00-06	SHIM, crank outside (20.5-30-0.6) .....			

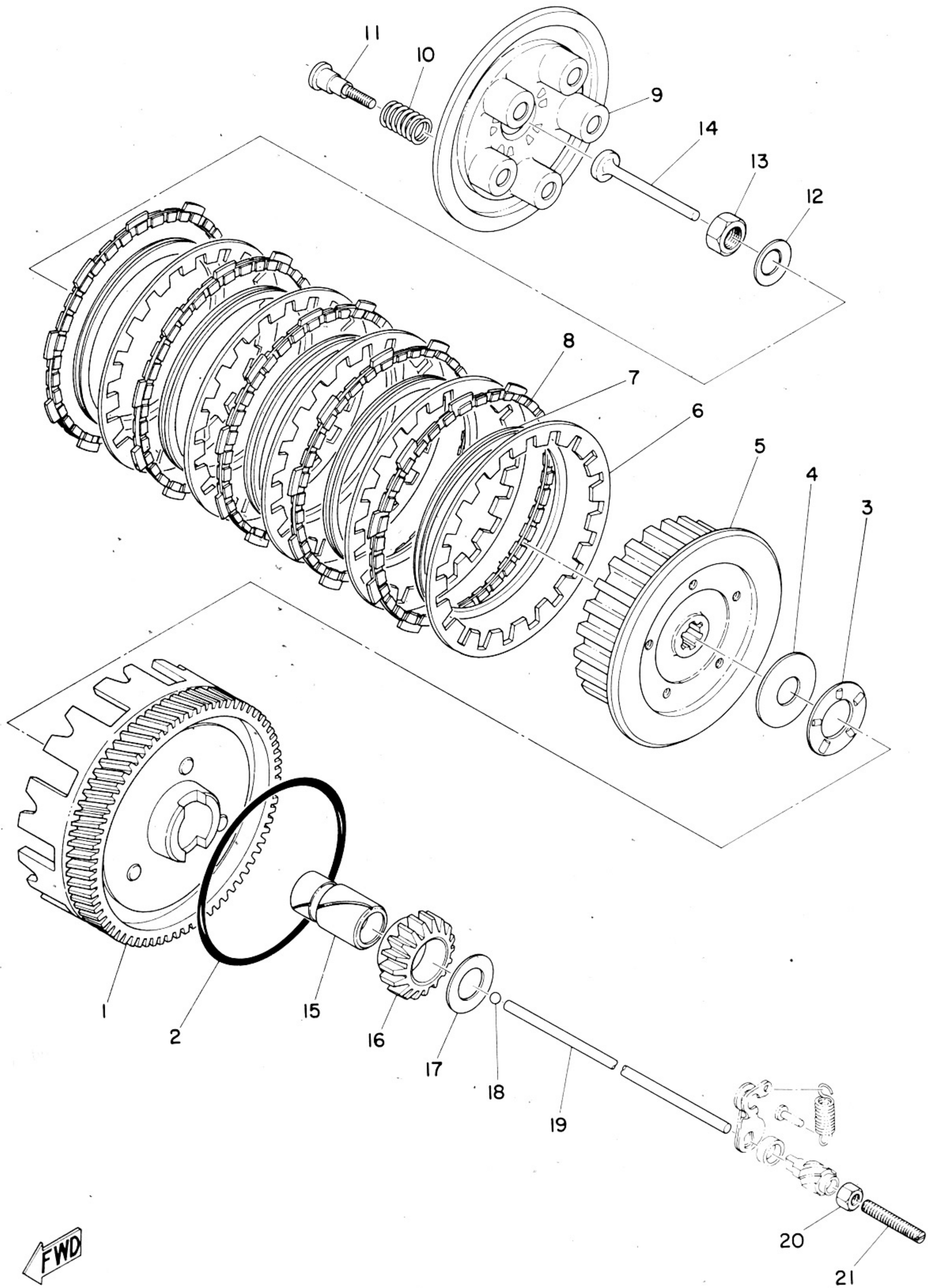
Fig. 3 CRANK · PISTON



# CRANK · PISTON

Ref. No.	Parts No.	Description	Q'ty	Applicable Machine No.	Remarks
	136-11561-00-07	SHIM, crank outside (20.5-30-0.7) .....			}
	136-11561-00-08	SHIM, crank outside (20.5-30-0.8) .....			
3-19	93306-30405	BEARING (6304C3 special) ...	2		
3-20	93102-20117	OIL SEAL (SD-20-40-8) .....	1		
3-21	93103-28011	OIL SEAL (SW-28-40-8) .....	1		
3-22	93210-18023	O-RING (1.2-17.6) .....	1		
3-23	183-16136-00	COLLAR, distance .....	1		
3-24	389-16111-00	GEAR, primary drive (19T) ...	1		
3-25	164-16119-00	SPRING, Belleville .....	1		
3-26	353-16144-00	NUT, lock .....	1		
3-27	396-11631-00-97	PISTON (42.97mm STD) .....	} U.R 2		
	396-11631-00-98	PISTON (42.98mm STD) .....			
	396-11635-00	PISTON (43.25mm 1st O.S) ...	2		
	396-11635-00	PISTON (43.50mm 2nd O.S) ...	2		
3-28	183-11633-00	PIN, piston .....	2		
3-29	132-11634-00	CLIP, piston pin .....	4		
3-30	396-11601-00	PISTON RING SET (STD) .....	2s		
	396-11601-10	PISTON RING SET (1st O.S) ..	2s		
	396-11601-20	PISTON RING SET (2nd O.S) ..	2s		
3-31	93310-11281	BEARING .....	2		
3-32	146-11545-00	KEY, woodruff .....	1		
3-33	353-11546-00	KEY .....	1		

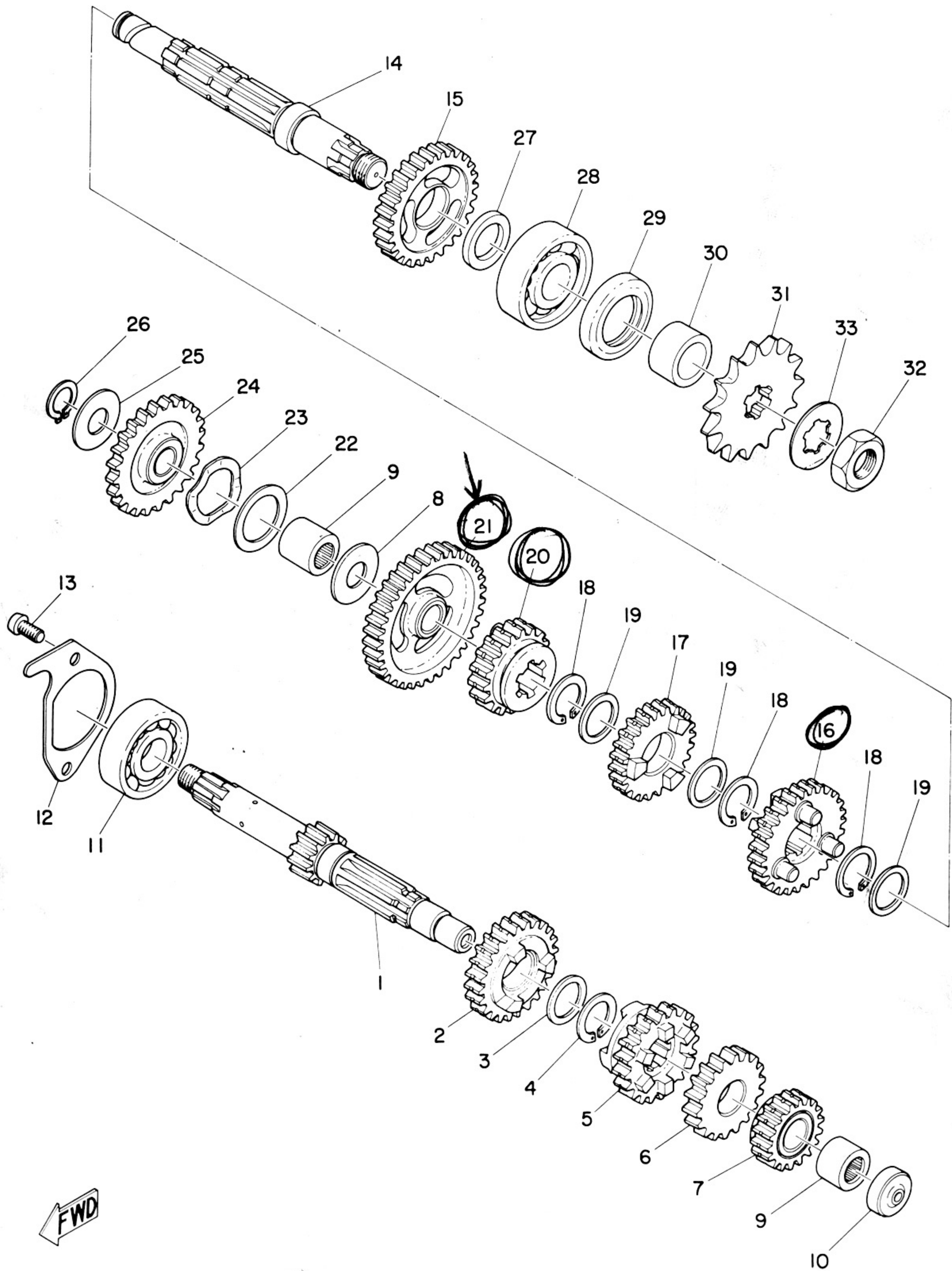
Fig. 4 CLUTCH



# CLUTCH

Ref. No.	Parts No.	Description	Q'ty	Applicable Machine No.	Remarks
4- 0-1	307-16301-00	CLUTCH ASS'Y .....	1		
4- 1	307-16150-00	. PRIMARY DRIVEN GEAR COMP. (74T) .....	1		
4- 2	132-16369-00	. RING, friction .....	1		
4- 3	93341-22302	. BEARING, thrust .....	1		
4- 4	131-16154-00	. PLATE, thrust (17.2-37-2.0)	1		
4- 5	132-16371-02	. BUSS, clutch .....	1		
4- 6	137-16324-00	. PLATE, clutch .....	5		
4- 7	307-16367-00	. RING, cushion .....	5		
4- 8	307-16321-00	. PLATE, friction .....	5		
4- 9	132-16351-00	. PLATE, pressure .....	1		
4-10	132-16333-00	. SPRING, clutch .....	5		
4-11	137-16337-01	. SCREW, spring .....	5		
4-12	164-16119-00	SPRING, Belleville .....	1		
4-13	137-16377-00	NUT, clutch boss .....	1		
4-14	137-16356-00	ROD, push 1 .....	1		
4-15	183-16181-00	SPACER (17-23-44.25) .....	1		
4-16	132-15631-00	GEAR, kick pinion (19T) .....	1		
4-17	122-16164-00	PLATE, thrust (17.2-30-2.0) ..	1		
4-18	93501-04004	BALL (1/4 inch) .....	1		
4-19	307-16357-00	ROD, push 2 .....	1		
4-20	98801-06300	NUT .....	1		
4-21	241-16343-00	SCREW, adjusting .....	1		

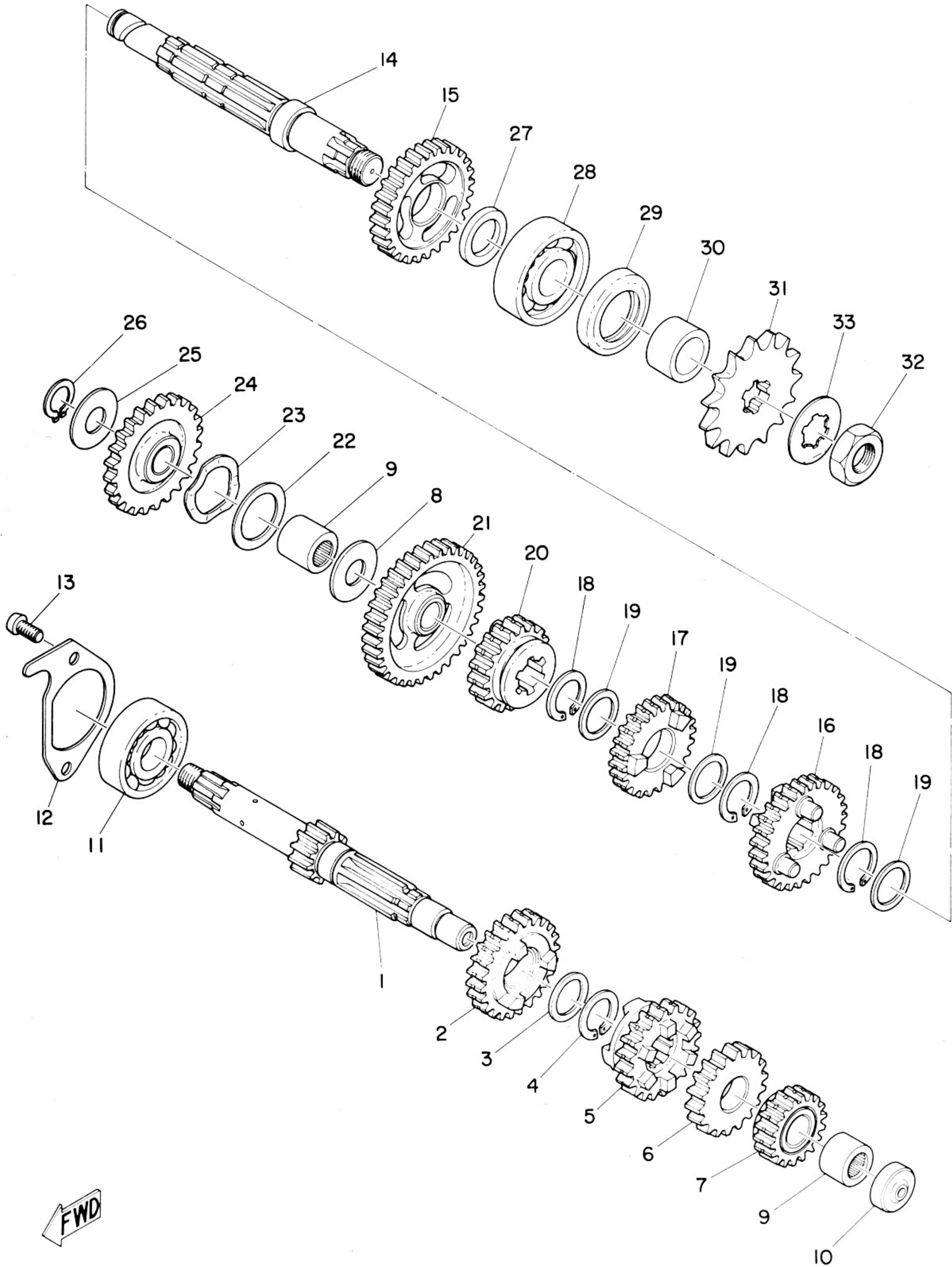
Fig. 5 TRANSMISSION



# TRANSMISSION

Ref. No.	Parts No.	Description	Q'ty	Applicable Machine No.	Remarks
5- 1	389-17411-02	AXLE MAIN (12T) .....	1		
5- 2	389-17151-00	GEAR, 5th pinion (24T) .....	1		
5- 3	132-17216-00	WASHER, gear hold (20-25-1.0)	1		
5- 4	132-17414-00	CLIP, main axle .....	1		
5- 5	389-17141-00	GEAR, 4th pinion (22T) .....	1		
5- 6	307-17131-00	GEAR, 3rd pinion (20T) .....	1		
5- 7	389-17121-01	GEAR, 2nd pinion (17T) .....	1		
5- 8	164-17427-00-08	SHIM, drive axle (15.2-30-0.8)	} U.R 1		
	164-17427-00-10	SHIM, drive axle (15.2-30-1.0)			
	164-17427-00-12	SHIM, drive axle (15.2-30-1.2)			
5- 9	93315-31502	BEARING (15000) .....	2		
5-10	132-15389-00	SEAL, push rod .....	1		
5-11	93306-30304	BEARING (6303Z) .....	1		
5-12	307-17471-00	PLATE, bearing cover .....	1		
5-13	92501-06012	SCREW, panhead .....	2		
5-14	389-17421-00	AXLE, drive .....	1		
5-15	307-17221-00	GEAR, 2nd wheel (29T) .....	1		
5-16	389-17231-01	GEAR, 3rd wheel (25T) .....	1		
5-17	389-17241-00	GEAR, 4th wheel (23T) .....	1		
5-18	132-17414-00	CLIP, main axle .....	3		
5-19	132-17216-00	WASHER, gear hold .....	3		
5-20	389-17251-00	GEAR, 5th wheel (22T) .....	1		
5-21	389-17211-00	GEAR, 1st wheel (34T) .....	1		

Fig. 5 TRANSMISSION

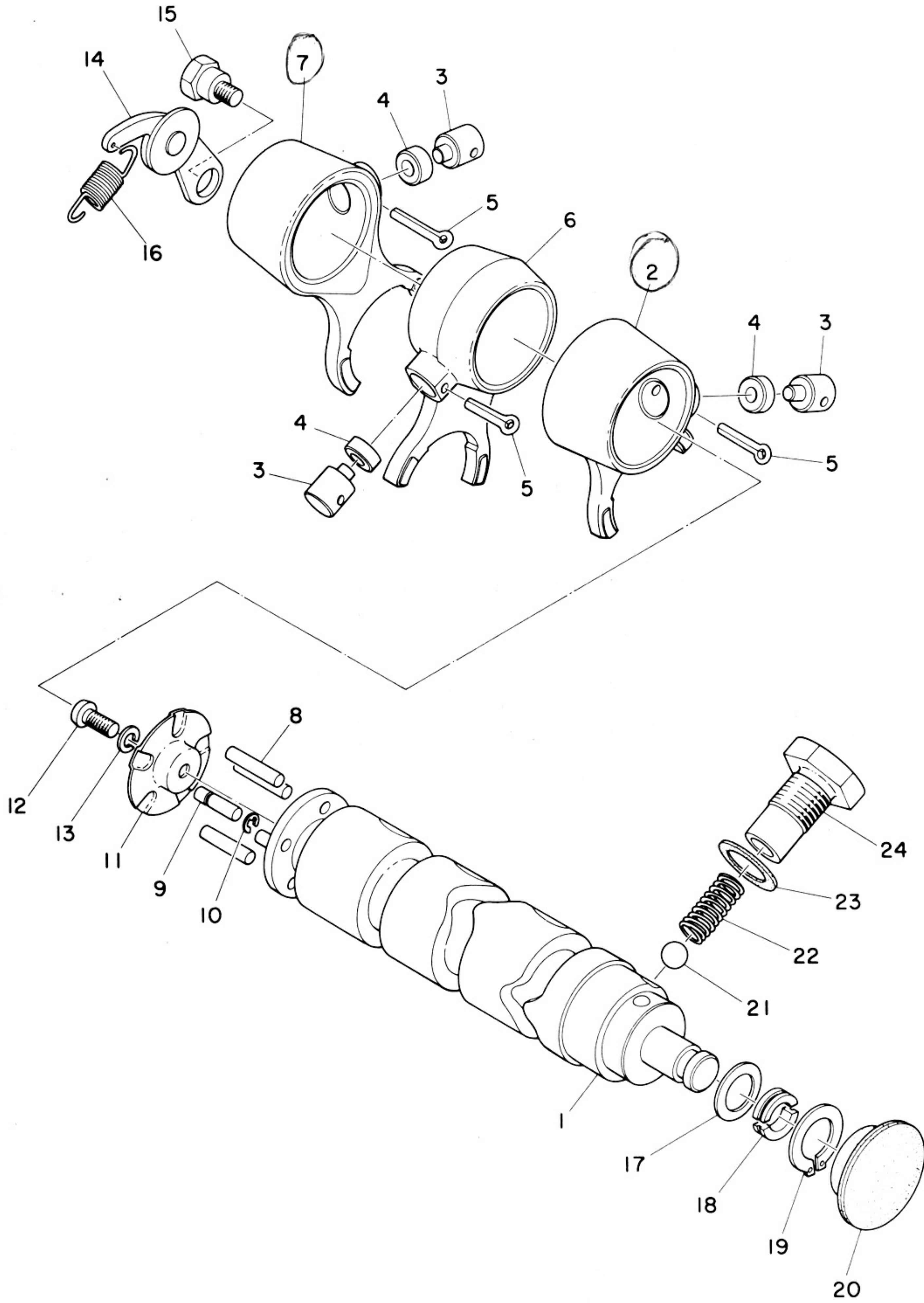




# TRANSMISSION

Ref. No.	Parts No.	Description	Q'ty	Applicable Machine No.	Remarks
5-22	131-15653-00	WASHER, plain (15.3-22-1.0)	1		
5-23	131-15643-00	WASHER, wave .....	1		
5-24	183-15651-00	GEAR, kick idle (28T) .....	1		
5-25	164-17417-00-10	SHIM, main axle (15.2-20-1.0)	1		
5-26	93410-15005	CIRCLIP (S-15) .....	1		
5-27	248-17429-00	SPACER (20-30-3) .....	1		
5-28	93306-30401	BEARING (6304) .....	1		
5-29	93102-28021	OIL SEAL (SD-28-44-7) .....	1		
5-30	102-17462-00	COLLAR, distance (20-28-15.1)	1		
5-31	174-17461-30	SPROCKET, drive (13T) ...	} U.R 1		
	174-17461-40	SPROCKET, drive (14T) ...			
	174-17461-50	SPROCKET, drive (15T) ...			
	174-17461-60	SPROCKET, drive (16T) ...			
5-32	102-17463-00	NUT, sprocket .....	1		
5-33	102-17464-00	WASHER, sprocket .....	1		

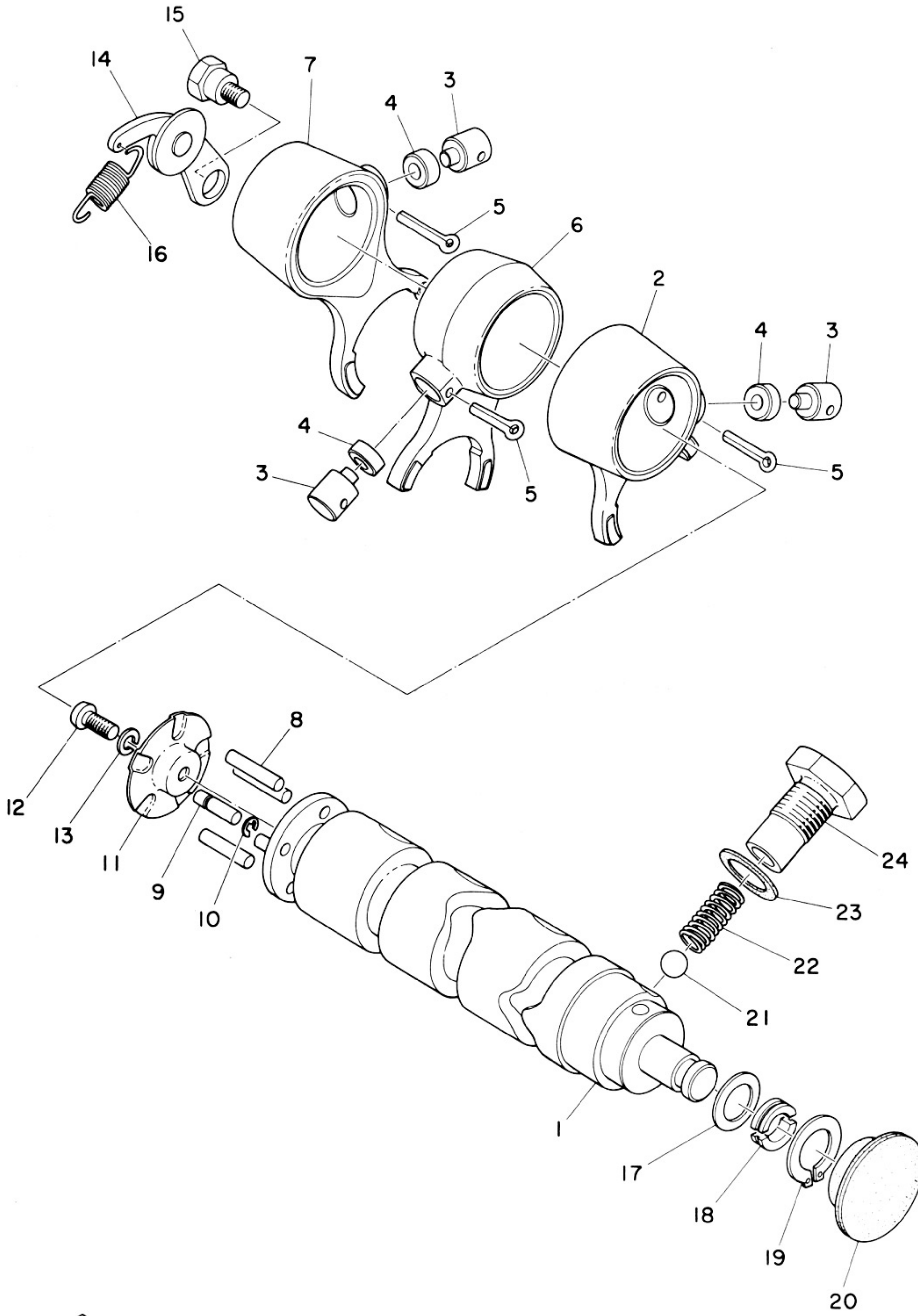
Fig. 6 SHIFTER 1



# SHIFTER 1

Ref. No.	Parts No.	Description	Q'ty	Applicable Machine No.	Remarks
6- 0-1	183-18500-02	SHIFTER ASS'Y .....	1		
6- 1	183-18541-02	. CAM, shift .....	1		
6- 2	183-18511-00	. FORK, shift 1 .....	1		
6- 3	164-18552-00	. PIN, cam follow .....	3		
6- 4	164-18551-00	. PIN, cam follow .....	3		
6- 5	91401-25020	. PIN, cotter .....	3		
6- 6	183-18512-00	. FORK, shift 2 .....	1		
6- 7	183-18513-00	. FORK, shift 3 .....	1		
6- 8	93604-22050	. PIN, dowel (4-21.8) .....	4		
6- 9	174-18544-00	. PIN, locating .....	1		
6-10	93430-03014	. CIRCLIP (E-2.5) .....	1		
6-11	164-18561-00	. PLATE, side .....	1		
6-12	98501-05012	. SCREW, panhead .....	1		
6-13	92901-05100	. WASHER, spring .....	1		
6-14	132-18140-00	STOPPER LEVER ASS'Y .....	1		
6-15	132-18177-00	BOLT, stopper .....	1		
6-16	132-18143-00	SPRING, stopper .....	1		
6-17	164-18572-00	WASHER, plain (12.1-18-1.0)	1		
6-18	164-18571-00	HOLDER, shift cam .....	2		
6-19	93440-15012	CIRCLIP .....	1		
6-20	307-18533-00	PLUG, blind .....	1		
6-21	93505-16006	BALL (5/6 inch) .....	1		
6-22	174-18558-00	SPRING, neutral .....	1		

Fig. 6 SHIFTER 1



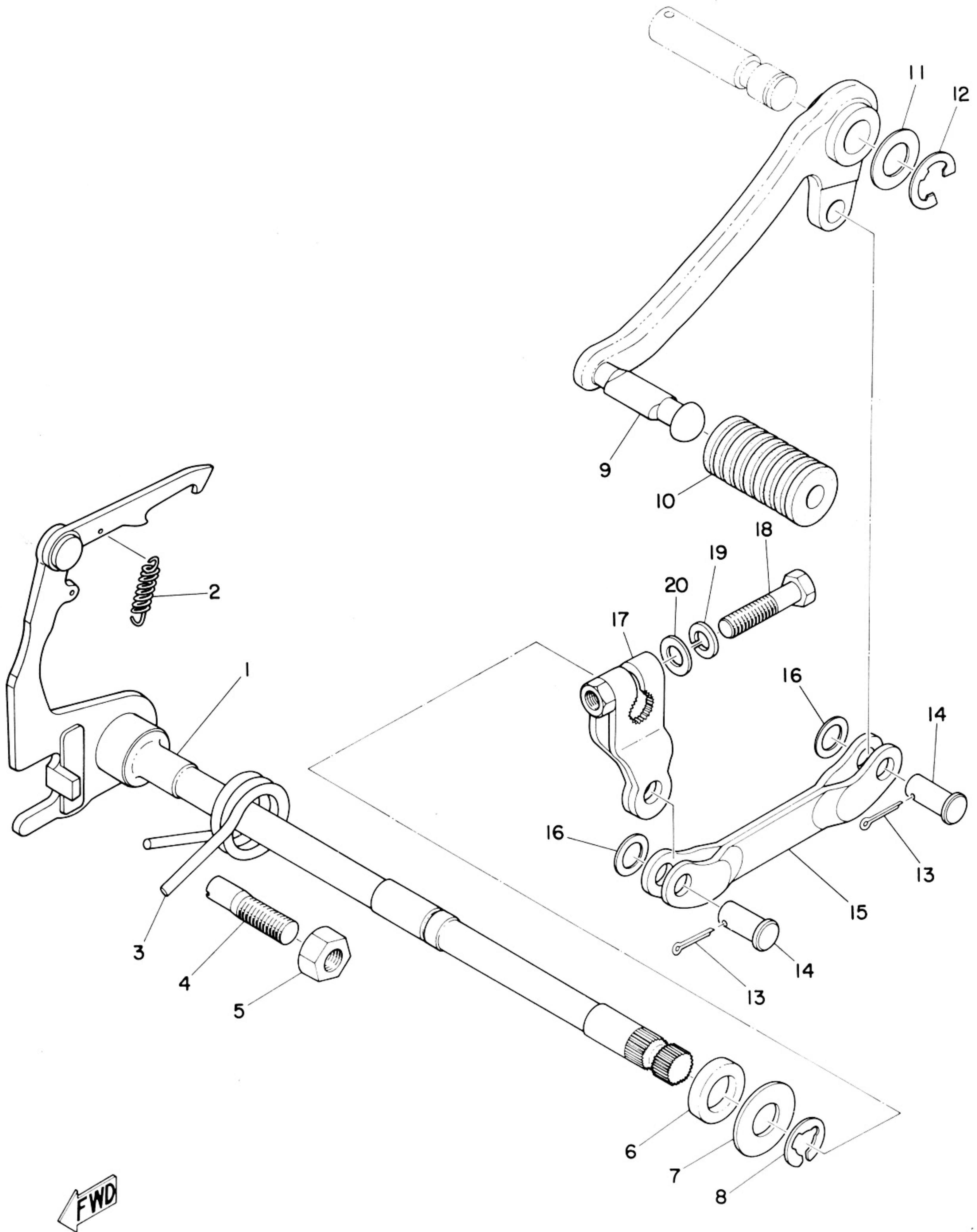
# SHIFTER 1

---

Ref. No.	Parts No.	Description	Q'ty	Applicable Machine No.	Remarks
6-23	137-15353-00	GASKET (14.5-21-15) .....	1		
6-24	174-18578-00	SCREW, spring .....	1		

---

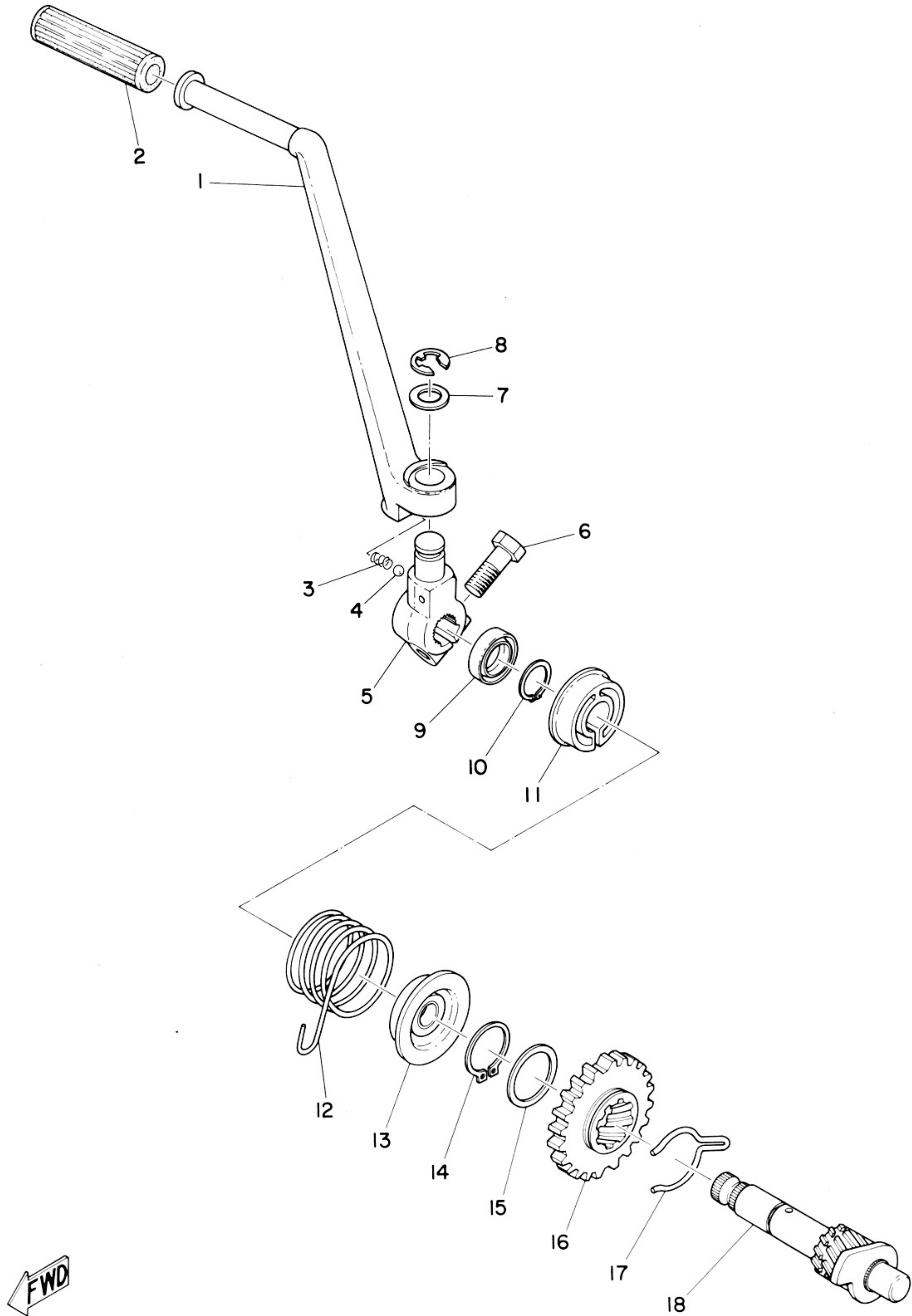
Fig. 7 SHIFTER 2



## SHIFTER 2

Ref. No.	Parts No.	Description	Q'ty	Applicable Machine No.	Remarks
7- 1	307-18101-01	CHANGE SHAFT ASS'Y	1		
7- 2	132-18123-00	. SPRING, shift arm	1		
7- 3	132-18124-00	SPRING, shaft return	1		
7- 4	132-18133-00	SCREW, adjusting	1		
7- 5	98800-08100	NUT	1		
7- 6	93101-12004	OIL SEAL (S-12-22-5)	1		
7- 7	132-18137-00	WASHER, change shift (12.1-26-1.6)	1		
7- 8	93430-10060	CIRCLIP (E-10)	1		
7- 9	307-18111-00-93	PEDAL, change	1		
7-10	132-18113-01	COVER, change pedal	1		
7-11	183-22142-10	WASHER (12.5-22-1.6)	1		
7-12	93430-10016	CIRCLIP (E-10)	1		
7-13	91401-16012	PIN, cotter	2		
7-14	307-18118-00	PIN, joint	2		
7-15	326-18115-00-93	ROD, change	1		
7-16	141-18139-00	WASHER (8.2-14-1.0)	2		
7-17	307-18112-00-93	ARM, change	1		
7-18	91101-06030	BOLT	1		
7-19	92901-06100	WASHER, spring	1		
7-20	92901-06200	WASHER, plain	1		

Fig. 8 KICK STARTER

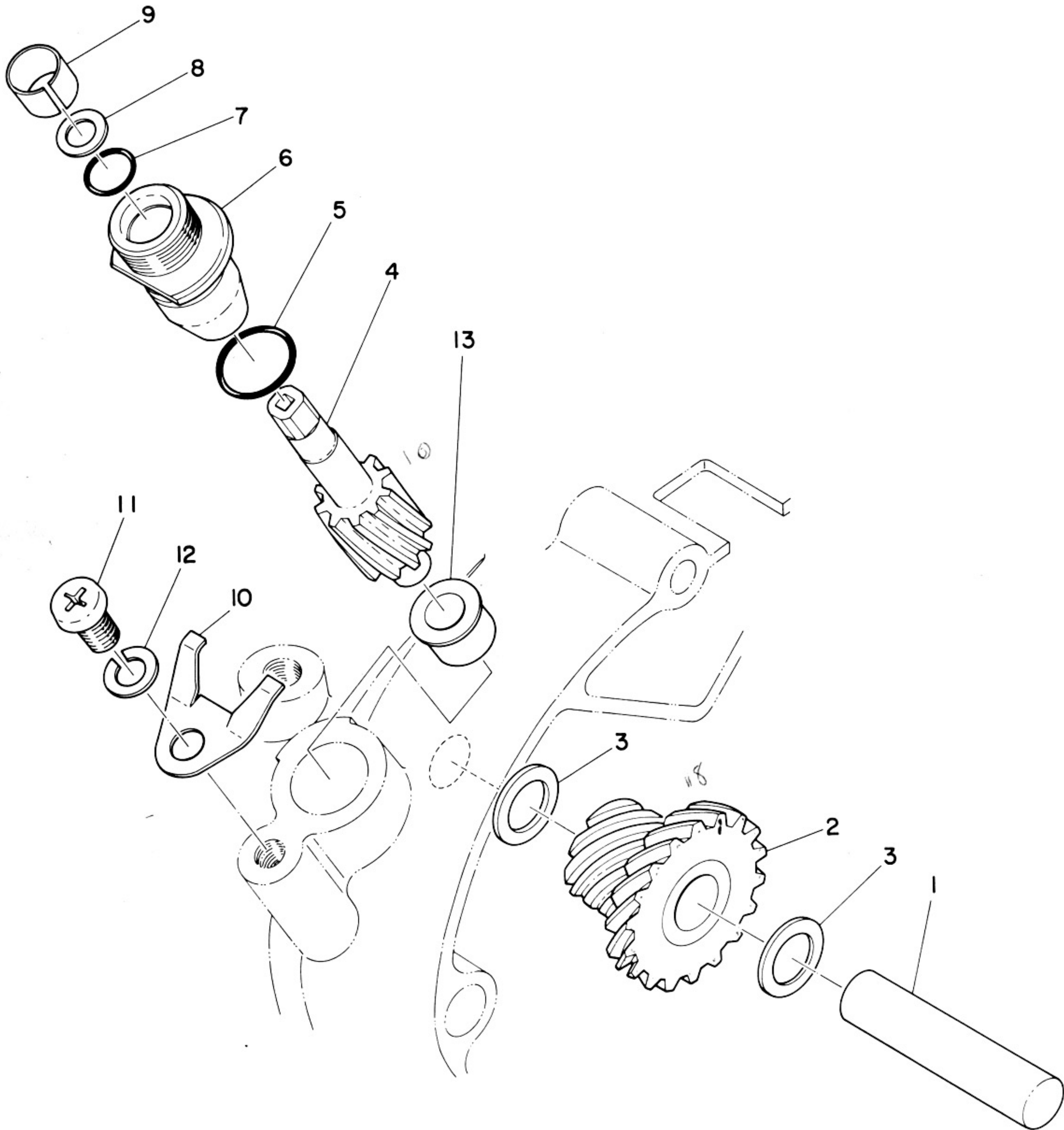




# KICK STARTER

Ref. No.	Parts No.	Description	Q'ty	Applicable Machine No.	Remarks
8- 1	278-15611-00-93	CRANK, kick .....	1		
8- 2	156-15618-01	COVER, kick lever .....	1		
8- 3	278-15622-00	SPRING, boss stopper .....	1		
8- 4	93507-32009	BALL (7/22 inch) .....	1		
8- 5	337-15621-00	BOSS, kick crank .....	1		
8- 6	91101-06020	BOLT .....	1		
8- 7	278-15613-00	WASHER (15.5-24-1.5) .....	1		
8- 8	93430-10016	CIRCLIP (E-10) .....	1		
8- 9	93109-15001	OIL SEAL (SD0-15-26-6) .....	1		
8-10	93410-15005	CIRCLIP (S-15) .....	1		
8-11	132-15676-00	COVER, kick spring .....	1		
8-12	132-15665-00	SPRING, kick .....	1		
8-13	132-15664-00	GUIDE, kick spring .....	1		
8-14	93410-25017	CIRCLIP (S-25) .....	1		
8-15	117-15644-00	SHIM (25.1-32-1.0) .....	1		
8-16	180-15641-00	GEAR, kick (28T) .....	1		
8-17	180-15687-00	CLIP, kick .....	1		
8-18	180-15660-00	KICK AXLE ASS'Y .....	1		

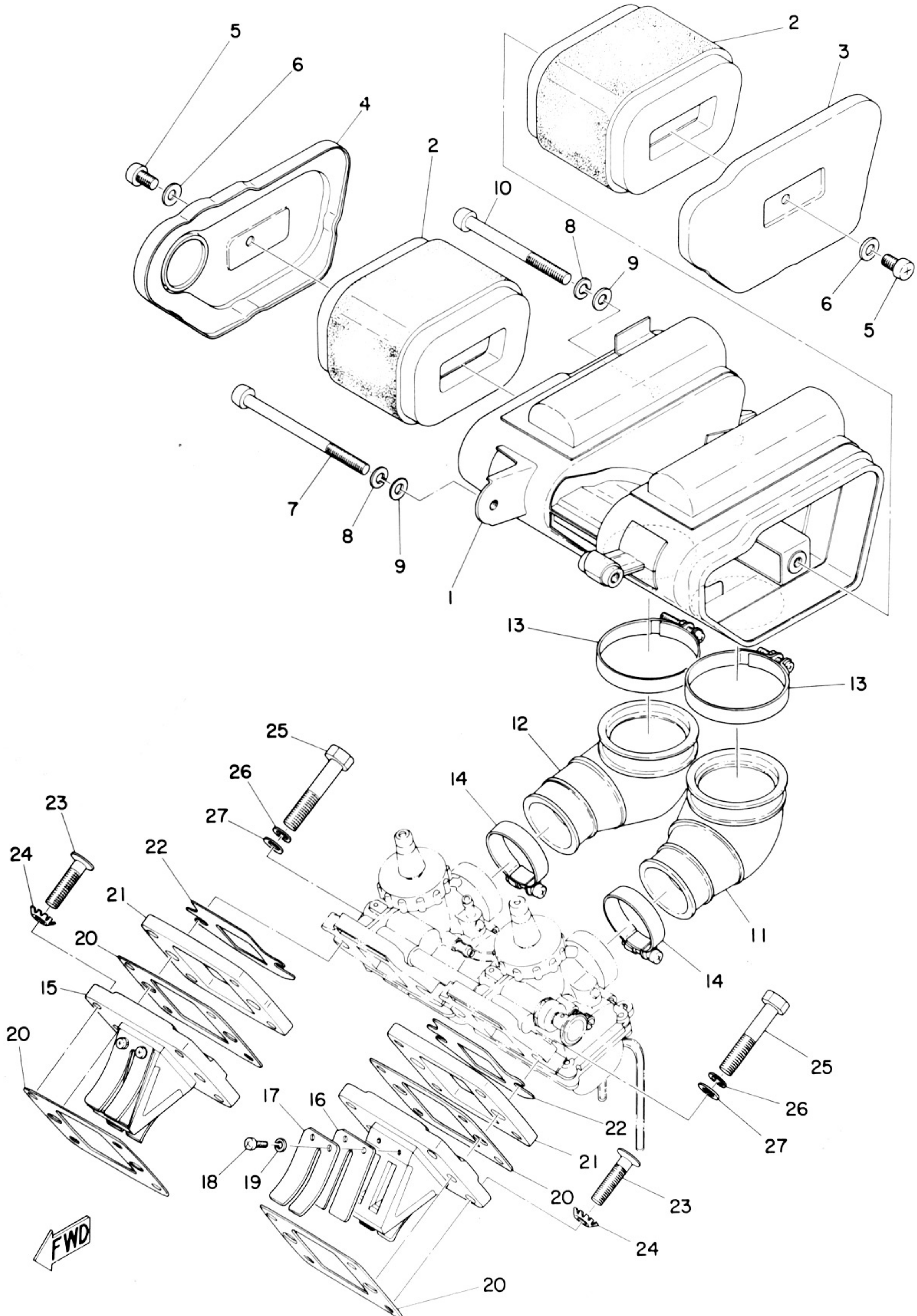
Fig. 9 TACHOMETER GEAR



# TACHOMETER GEAR

Ref. No.	Parts No.	Description	Q'ty	Applicable Machine No.	Remarks
9- 1	237-17861-00	AXLE, drive gear .....	1		
9- 2	248-17831-01	GEAR, drive .....	1		
9- 3	248-17837-00	SHIM (10.2-16-1.0) .....	2		
9- 4	248-17841-00	GEAR, driven .....	1		
9- 5	93210-13016	O-RING (1.8-13) .....	1		
9- 6	214-17811-01	HOUSING .....	1		
9- 7	93210-07100	O-RING (2.2-7.2) .....	1		
9- 8	214-17847-00	SHIM (7.5-10.8-0.4) .....	1		
9- 9	214-17815-00	BUSHING .....	1		
9-10	214-17812-00	STOPPER .....	1		
9-11	92501-06010	SCREW, panhead .....	1		
9-12	92901-06100	WASHER, spring .....	1		
9-13	214-17843-00	BUSHING .....	1		

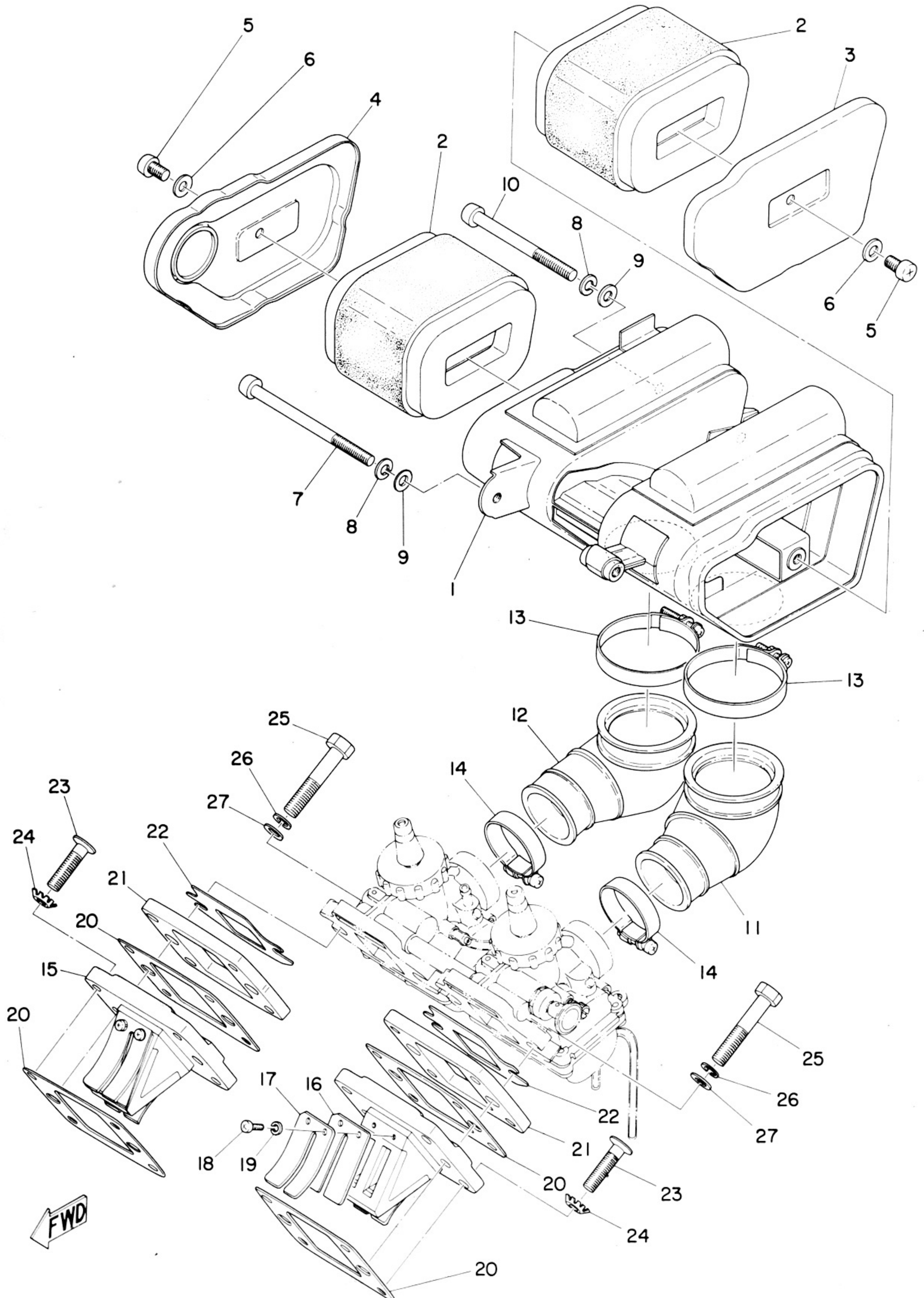
Fig. 10 INTAKE



# INTAKE

Ref. No.	Parts No.	Description	Q'ty	Applicable Machine No.	Remarks
10- 1	396-14411-01	CASE, air cleaner .....	1		
10- 2	396-14451-00	ELEMENT, air cleaner .....	2		
10- 3	389-14412-01	CAP, cleaner case left .....	1		
10- 4	389-14422-01	CAP, cleaner case right .....	1		
10- 5	92501-06010	SCREW, panhead .....	2		
10- 6	92901-06200	WASHER, plain .....	2		
10- 7	92501-06080	SCREW, panhead .....	1		
10- 8	92901-06100	WASHER, spring .....	2		
10- 9	92901-06200	WASHER, plain .....	2		
10-10	92501-06070	SCREW, panhead .....	1		
10-11	389-14453-00	JOINT, air cleaner left .....	1		
10-12	389-14463-00	JOINT, air cleaner right .....	1		
10-13	278-14455-00	BAND .....	2		
10-14	396-14456-00	BAND .....	2		
10-15	389-13610-01	REED VALVE ASS'Y .....	2		
10-16	389-13613-00	. REED VALVE .....	4		
10-17	389-13616-01	. STOPPER, reed valve .....	4		
10-18	98512-03007	. SCREW, panhead .....	8		
10-19	92901-03100	. WASHER, spring .....	8		
10-20	389-13621-00	PACKING, valve seat .....	4		
10-21	389-13555-00	JOINT .....	2		
10-22	389-13622-00	PACKING, carburetor .....	2		
10-23	92706-06025	SCREW, flathead .....	8		

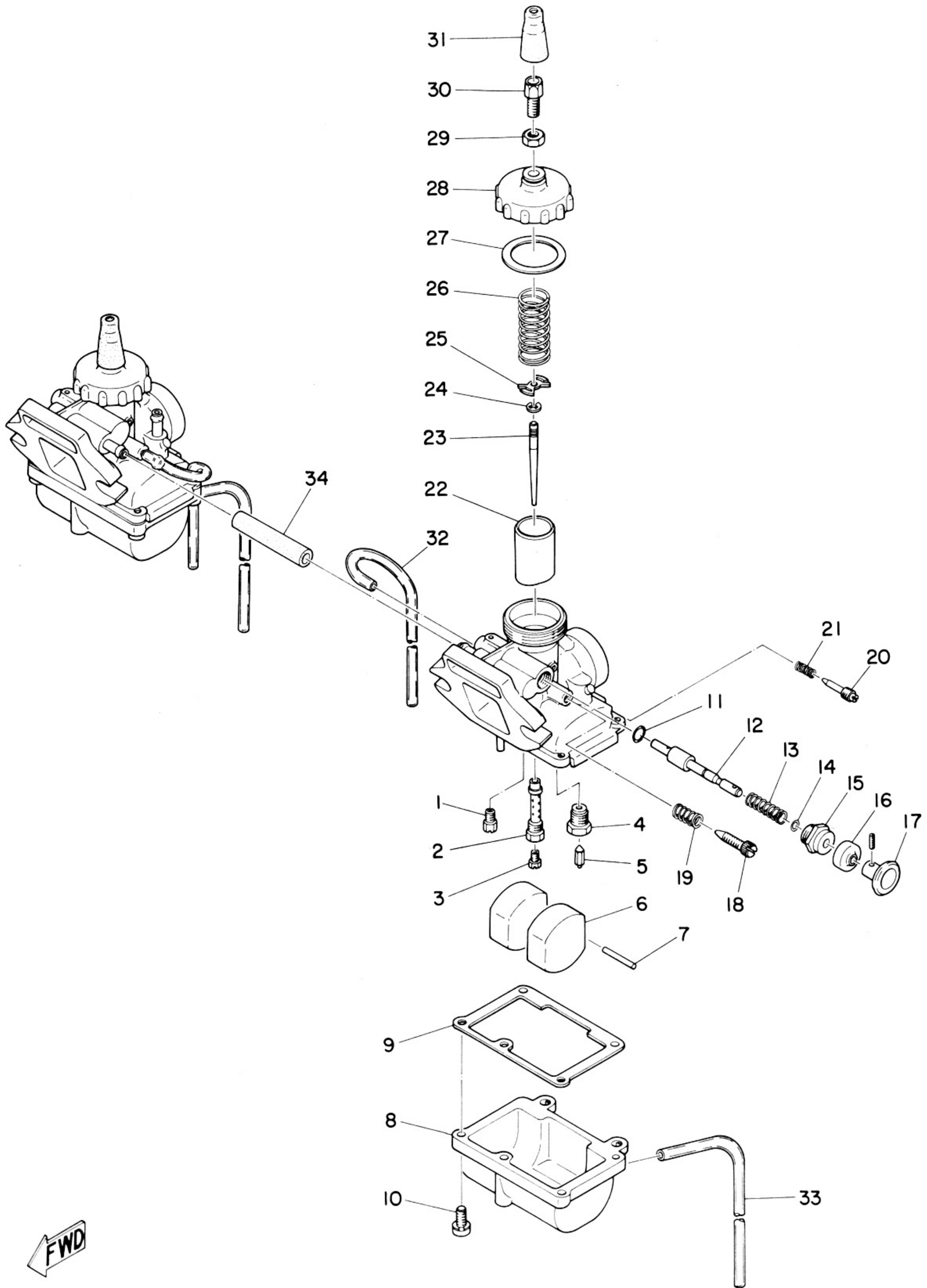
Fig. 10 INTAKE



# INTAKE

Ref. No.	Parts No.	Description	Q'ty	Applicable Machine No.	Remarks
10-24	92906-06500	WASHER, tooth .....	8		
10-25	91316-08040	BOLT .....	4		
10-26	92906-08100	WASHER, spring .....	4		
10-27	92906-08200	WASHER, plain .....	4		

Fig. 11 CARBURETOR



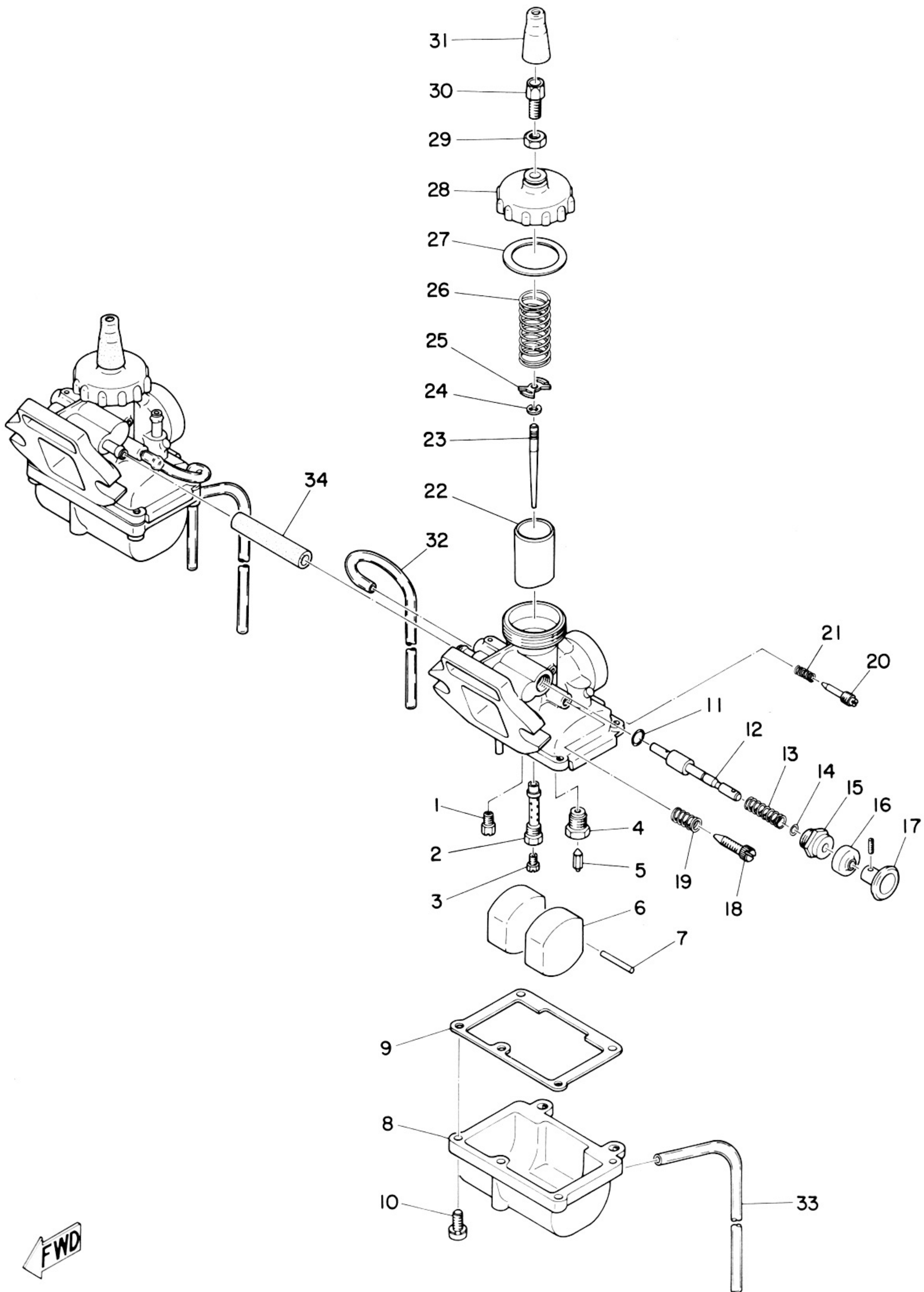
FWD



# CARBURETOR

Ref. No.	Parts No.	Description	Q'ty	Applicable Machine No.	Remarks
11- 0-1	396-14301-01-33	CARBURETOR ASS'Y, left	... 1		
11- 0-2	396-14302-01-33	CARBURETOR ASS'Y, right	.. 1		
11- 1	367-14342-22	. JET, pilot	..... 2		
11- 2	396-14341-00	. NOZZLE, main	..... 2		
11- 3	396-14343-33	. JET, main	..... 2		
11- 4	396-14390-16	. SEAT, needle	..... 2		
11- 5	367-14392-00	. VALVE, needle	..... 2		
11- 6	367-14385-00	. FLOAT	..... 1		
11- 7	367-14386-00	. PIN, float	..... 2		
11- 8	389-14381-00-33	. BODY, float chamber	..... 2		
11- 9	389-14384-00	. GASKET, float chamber	.... 2		
11-10	98506-04010	. SCREW, panhead	..... 8		
11-11	389-14147-00	. O-RING	..... 1		
11-12	389-14371-00	. PLUNGER, starter	..... 1		
11-13	389-14335-00	. SPRING, plunger	..... 1		
11-14	389-14138-00	. PIN, snap	..... 1		
11-15	389-14374-00	. CAP, plunger	..... 1		
11-16	389-14373-00	. COVER, plunger	..... 1		
11-17	389-14261-00	. KNOB, starter	..... 1		
11-18	389-14211-00	. SCREW, pilot adjusting	.... 2		
11-19	389-14212-00	. SPRING, pilot adjusting	.... 2		
11-20	396-14323-00	. SCREW, air adjusting	..... 2		
11-21	389-14333-00	. SPRING, air adjusting	.... 2		

Fig. 11 CARBURETOR

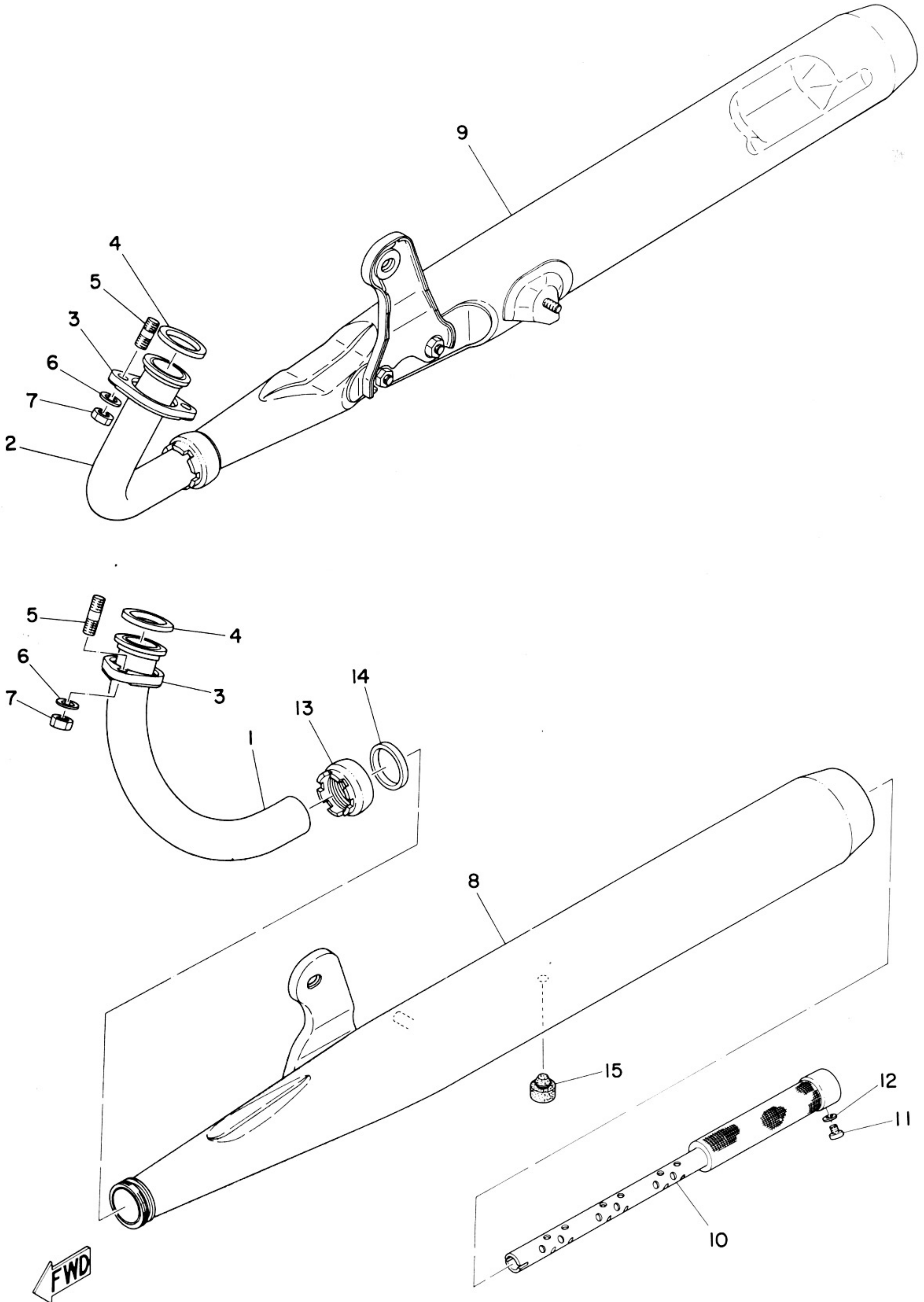


FWD

# CARBURETOR

Ref. No.	Parts No.	Description	Q'ty	Applicable Machine No.	Remarks
11-22	396-14312-25	. VALVE, throttle left	1		
	396-14313-25	. VALVE, throttle right	1		
11-23	396-14336-00	. NEEDLE	2		
11-24	389-14137-00	. CLIP, needle	2		
11-25	389-14136-00	. SEAT, spring	2		
11-26	389-14331-00	. SPRING, throttle valve	2		
11-27	389-14126-00	. PACKING	2		
11-28	389-14168-00	. CAP, mixing chamber	2		
11-29	288-14161-00	. NUT, wire adjusting	2		
11-30	288-14124-00	. SCREW, wire adjusting	2		
11-31	367-14169-00	. CAP	2		
11-32	367-14348-00	. PIPE (3-5-220)	2		
11-33	389-14396-00	. PIPE (3-5-160)	2		
11-34	389-14349-00	. PIPE (5-9-47)	1		

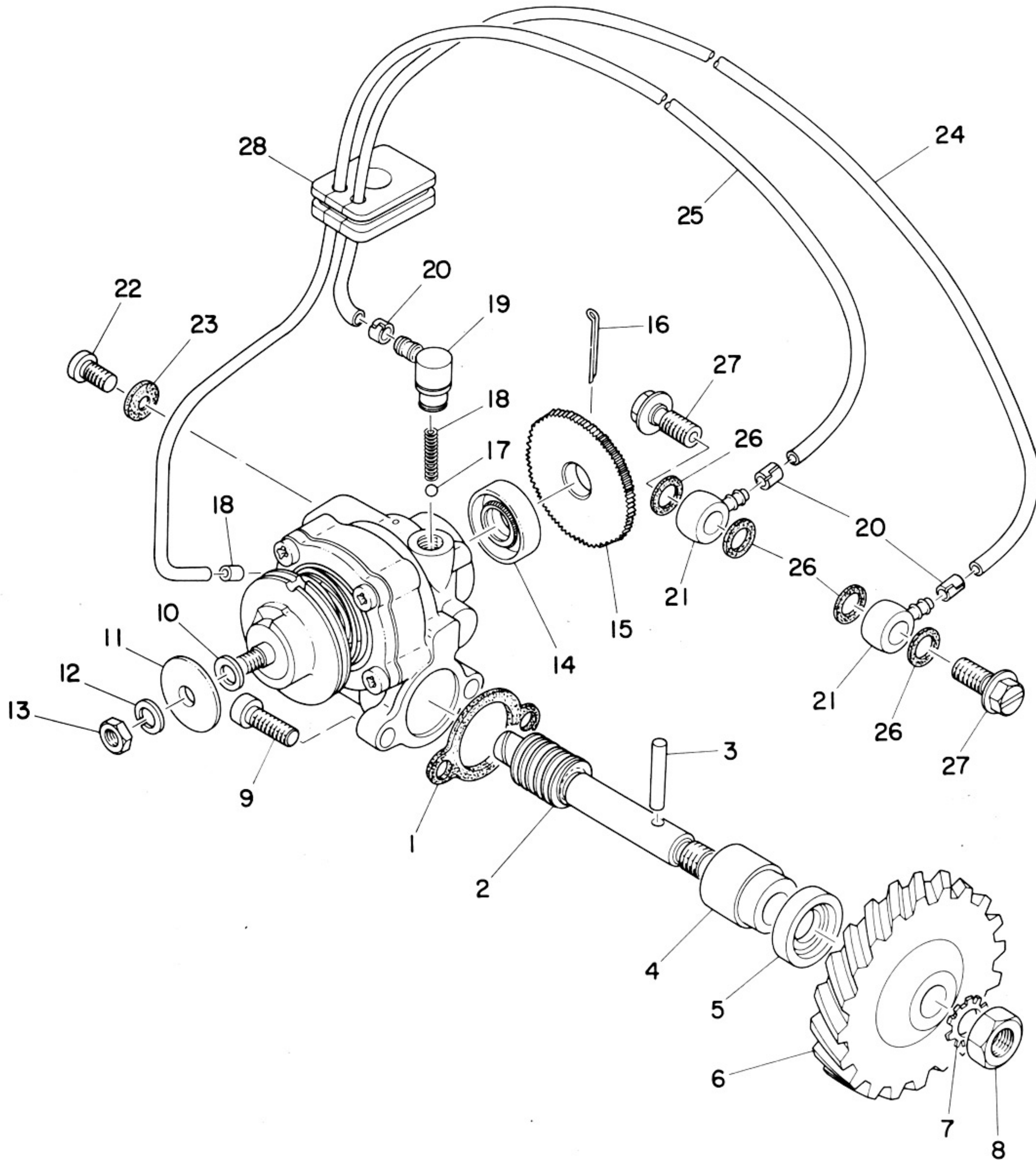
Fig. 12 EXHAUST



# EXHAUST

Ref. No.	Parts No.	Description	Q'ty	Applicable Machine No.	Remarks
12- 1	396-14611-00	PIPE, exhaust left	1		
12- 2	396-14621-00	PIPE, exhaust right	1		
12- 3	307-14612-00	NUT, ring	2		
12- 4	132-14613-00	GASKET, exhaust pipe	2		
12- 5	246-14651-00	STUD	4		
12- 6	92901-08100	WASHER, spring	4		
12- 7	98803-08100	NUT	4		
12- 8	396-14710-01	MUFFLER, left	1		
12- 9	396-14720-01	MUFFLER, right	1		
12-10	307-14753-00	. SILENCER	2		
12-11	98501-05008	. SCREW, panhead	2		
12-12	92901-05100	. WASHER, spring	2		
12-13	132-14713-00	NUT, muffler joint	2		
12-14	132-14714-01	GASKET, muffler joint	2		
12-15	102-27114-00	STOPPER, main stand	1		

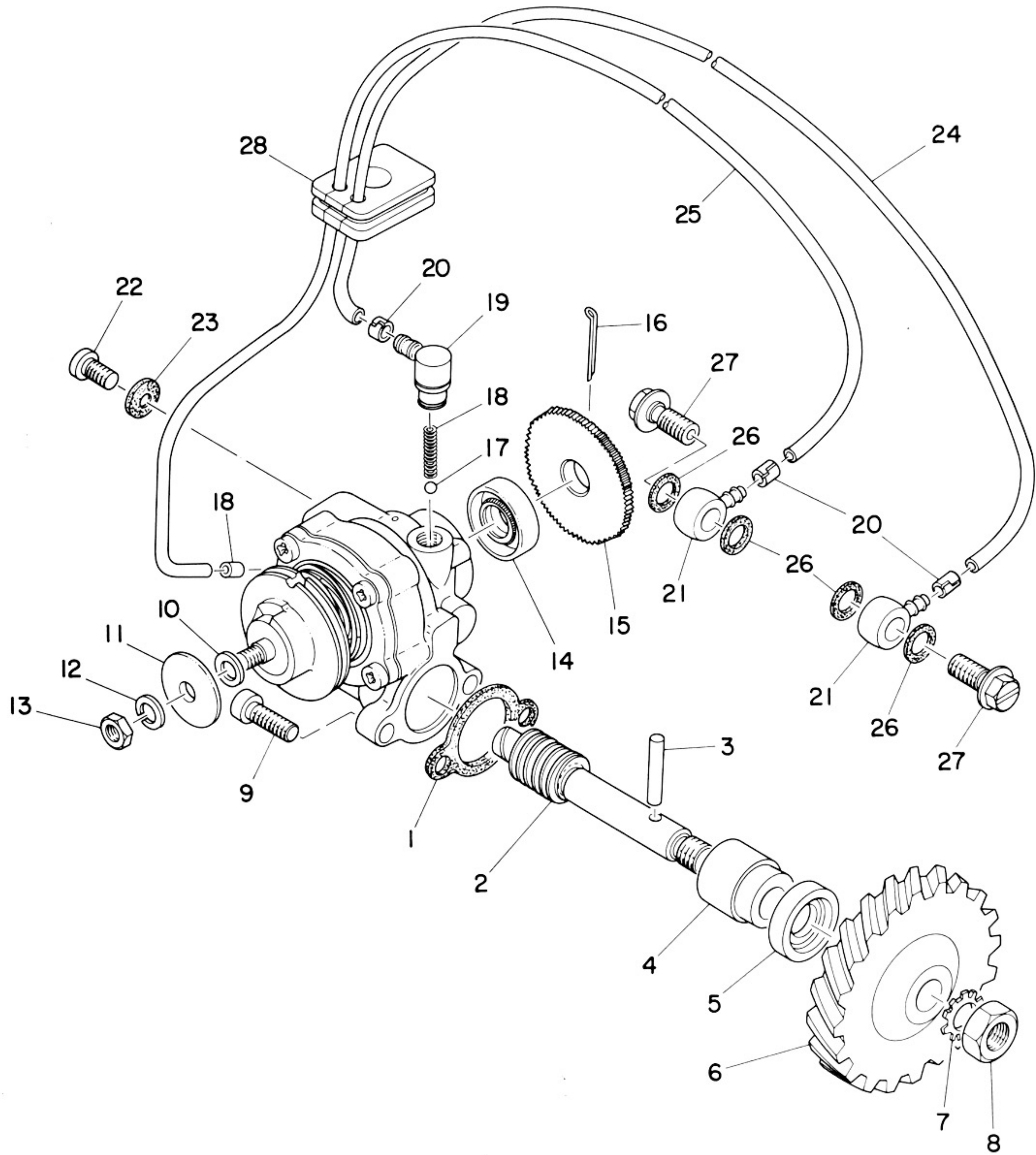
Fig. 13 OIL PUMP



# OIL PUMP

Ref. No.	Parts No.	Description	Q'ty	Applicable Machine No.	Remarks
13- 1	126-13116-00	GASKET, pump case	1		
13- 2	174-13175-00	SHAFT, worm	1		
13- 3	93603-22028	PIN, dowel (3-21.8)	1		
13- 4	137-13176-00	METAL, worm shaft outer	1		
13- 5	93101-10002	OIL SEAL (S-10-22-7)	1		
13- 6	132-13178-01	GEAR, drive (34T)	1		
13- 7	92901-08400	WASHER, tooth	1		
13- 8	98801-08300	NUT	1		
13- 9	98501-05015	SCREW, panhead	2		
13- 0-1	326-13101-00	OIL PUMP ASS'Y	1		
13-10	137-13147-00	. SHIM (5.8-10-0.1)	U.R		
13-11	137-13138-01	. PLATE, adjusting	1		
13-12	92901-05100	. WASHER, spring	1		
13-13	98801-05200	. NUT	1		
13-14	93101-10001	. OIL SEAL (S-10-21-5)	1		
13-15	137-13128-00	. PLATE, starter	1		
13-16	91401-12018	. PIN, cotter	1		
13-17	93505-32002	. BALL (5/32 inch)	1		
13-18	278-13169-00	. SPRING, check ball	1		
13-19	353-13552-00	. NOZZLE	1		
13-20	214-13162-00	. BANJO, delivery pipe	2		
13-21	214-13164-00	. CLIP, delivery pipe	4		
13-22	98901-04008	. SCREW, bind	1		

Fig. 13 OIL PUMP

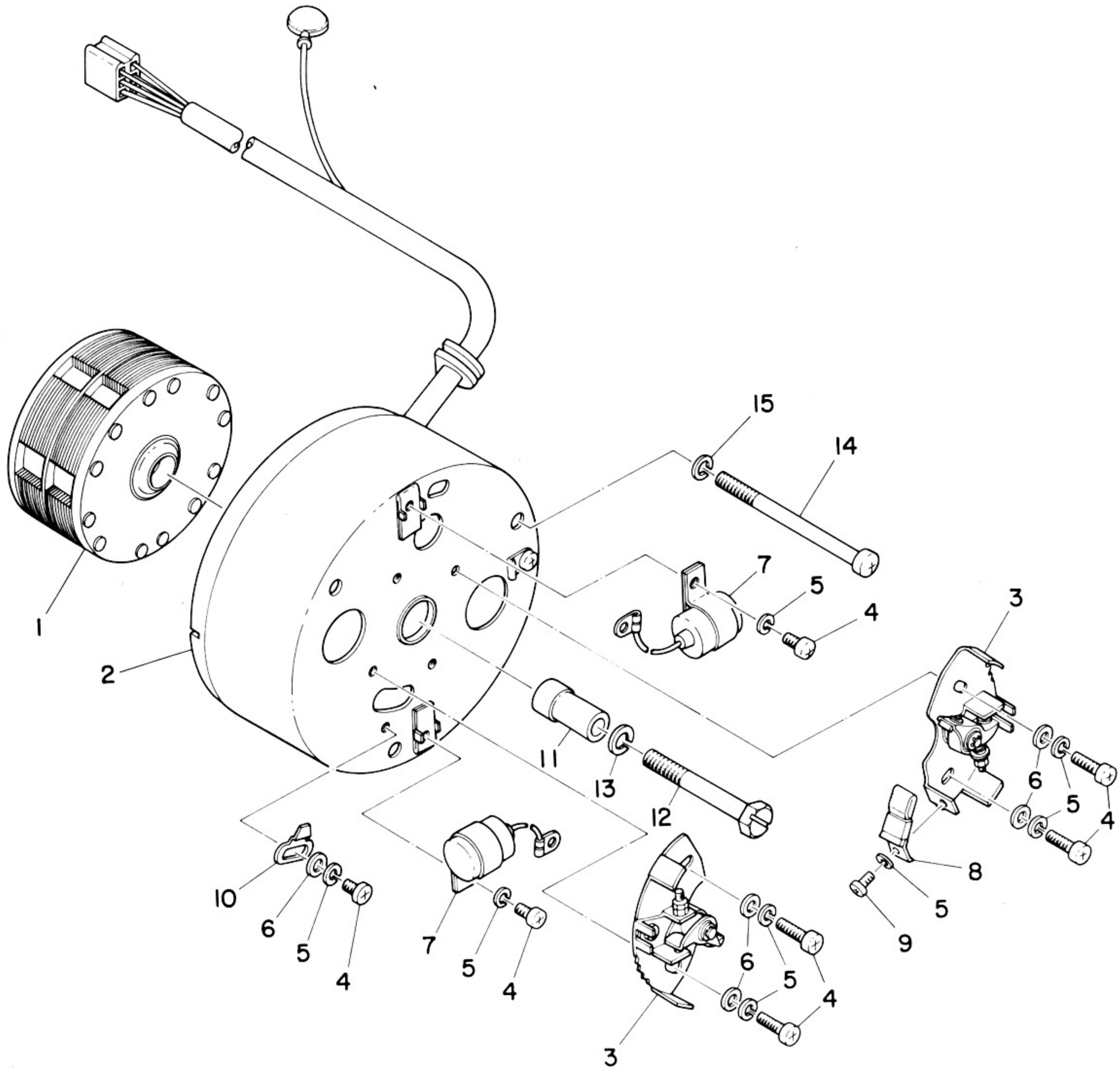




# OIL PUMP

Ref. No.	Parts No.	Description	Q'ty	Applicable Machine No.	Remarks
13-23	137-13187-00	. GASKET, breather (4.2-8.5-0.5) .....	1		
13-24	278-13161-00	. PIPE, delivery (3-420) .....	1		
13-25	248-13161-01	. PIPE, delivery (3-240) .....	1		
13-26	137-13167-00	GASKET, banjo bolt 1 (6-13-0.5) .....	4		
13-27	137-13165-00	BOLT, banjo 2 .....	2		
13-28	293-13175-00	HOLDER, oil pipe .....	1		

Fig. 14 A.C.GENERATOR



# A.C.GENERATOR

Ref. No.	Parts No.	Description	Q'ty	Applicable Machine No.	Remarks
14- 0-1	307-81400-10	A.C. MAGNETO GENERATOR ASS'Y .....	1		
14- 1	307-81450-10	. ROTOR ASS'Y .....	1		
14- 2	307-81410-10	. STATOR ASS'Y .....	1		
14- 3	183-81421-10	. . CONTACT BREAKER ASS'Y	1		
14- 4	165-81145-21	. . SCREW, panhead .....	7		
14- 5	92901-04100	. . WASHER, spring .....	8		
14- 6	92901-04200	. . WASHER, plain .....	5		
14- 7	183-81425-10	. . CONDENSER .....	2		
14- 8	183-81431-10	. . LUBRICATOR .....	1		
14- 9	110-81345-20	. . SCREW, panhead .....	1		
14-10	183-81432-10	. . PLATE, timing .....	1		
14-11	183-81451-12	. CAM .....	1		
14-12	307-81452-00	. BOLT .....	1		
14-13	92901-08100	. WASHER, spring .....	1		
14-14	92501-06075	. SCREW, panhead .....	3		
14-15	92901-06100	. WASHER, spring .....	3		





# CHASSIS







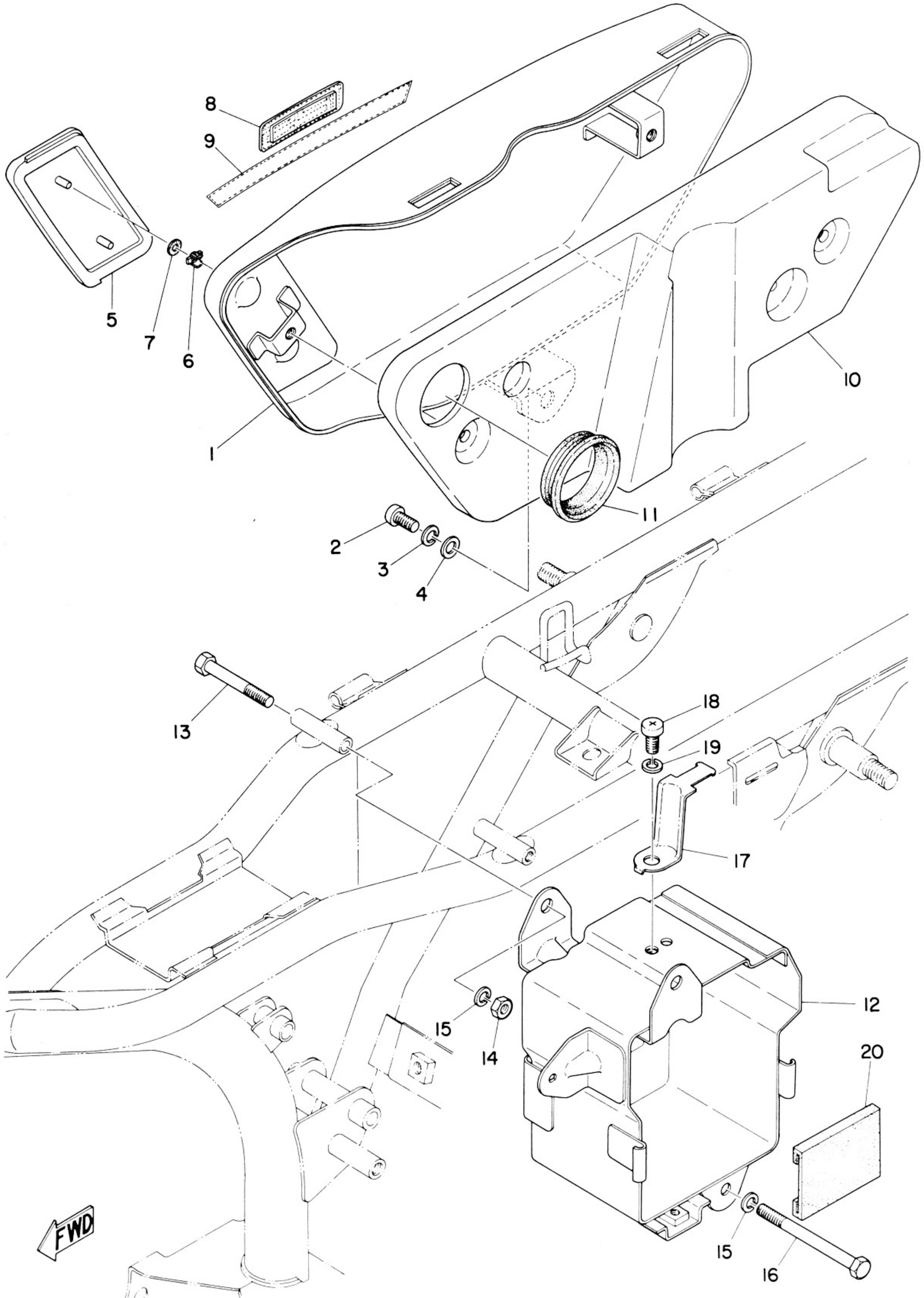




## FRAME

Ref. No.	Parts No.	Description	Q'ty	Applicable Machine No.	Remarks
15- 1	396-21110-00-33	FRAME COMP. ....	1		Yamaha Black
15- 2	307-21315-00-33	STAY, engine front .....	2		Yamaha Black
15- 3	97101-08050	BOLT .....	4		
15- 4	98801-08100	NUT .....	5		
15- 5	92901-08100	WASHER, spring .....	5		
15- 6	97101-08110	BOLT .....	1		
15- 7	116-21483-00	BOLT, engine mounting .....	1		
15- 8	803-82591-00	BAND .....	1		
15- 9	396-21165-00-33	HANDLE, standing .....	1		Yamaha Black
15-10	397-28100-00	TOOL ASS'Y .....	1		

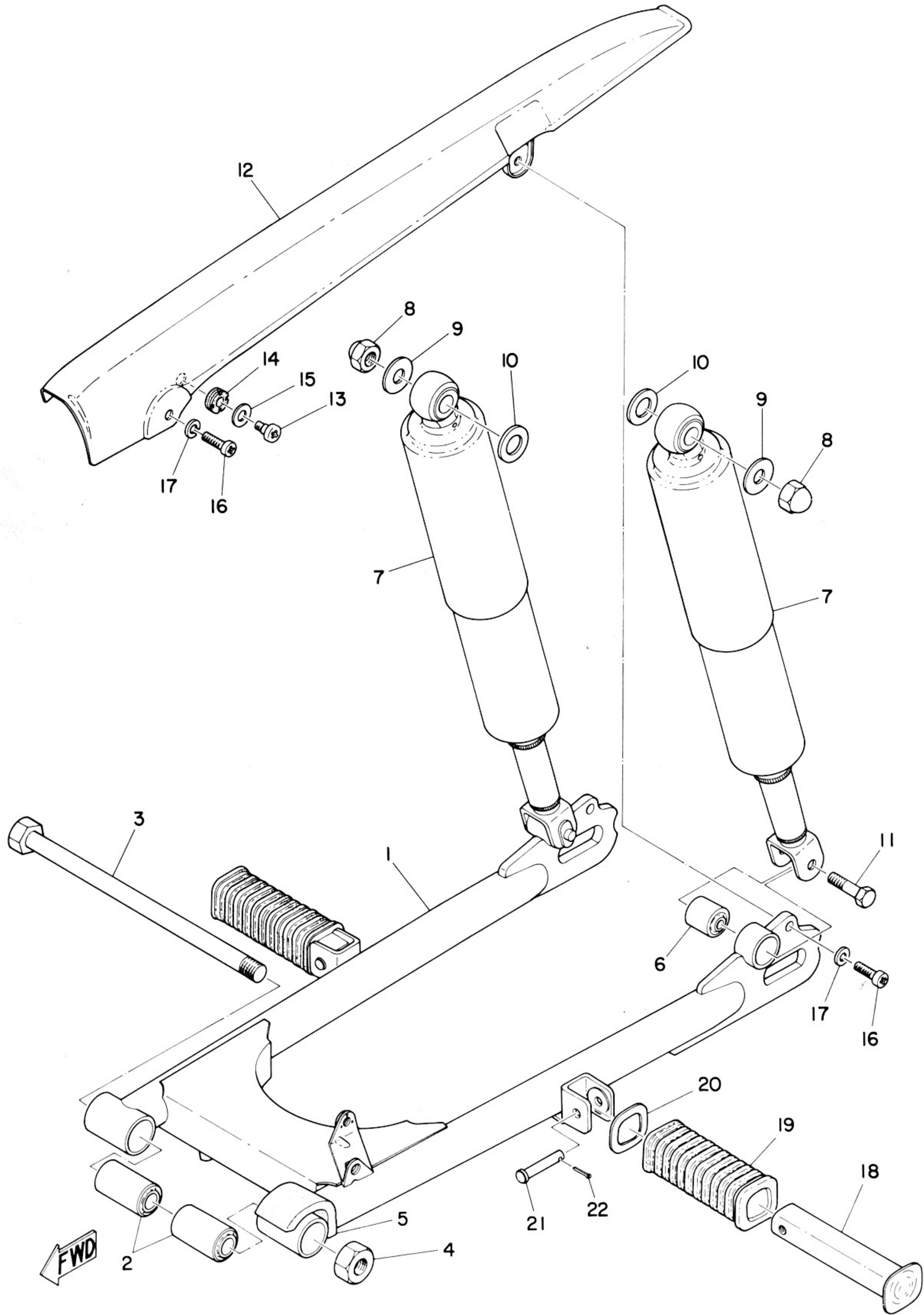
Fig.16 SIDE COVER · BOX



## SIDE COVER • BOX

Ref. No.	Parts No.	Description	Q'ty	Applicable Machine No.	Remarks
16- 1	396-21711-01-F4	COVER, side .....	1		Catalina Blue
	396-21711-01-63	COVER, side .....	1		Brilliant Red
	396-21711-01-71	COVER, side .....	1		Mandarin Orange
16- 2	92501-06015	SCREW, panhead .....	1		
16- 3	92901-06100	WASHER, spring .....	1		
16- 4	92901-06200	WASHER, plain .....	1		
16- 5	396-21782-01	MOOL, right .....	1		
16- 6	360-24143-00	NUT .....	2		
16- 7	174-28316-00	DAMPER, emblem .....	4		
16- 8	396-21786-01	EMBLEM 125 .....	1		
16- 9	360-21787-00	TORQUE, induction .....	1		
16-10	396-21732-00	PERTATION, side cover .....	1		
16-11	396-21719-00	JOINT, side cover .....	1		
16-12	396-21170-00-33	BOX COMP. ....	1		Yamaha Black
16-13	91201-06045	BOLT .....	2		
16-14	98801-06100	NUT .....	2		
16-15	92901-06100	WASHER, spring .....	3		
16-16	91201-06070	BOLT .....	1		
16-17	307-21175-00	BRACKET, flasher relay .....	1		
16-18	92501-06012	SCREW, panhead .....	1		
16-19	92901-06100	WASHER, spring .....	1		
16-20	307-82121-00	PAD, battery .....	1		

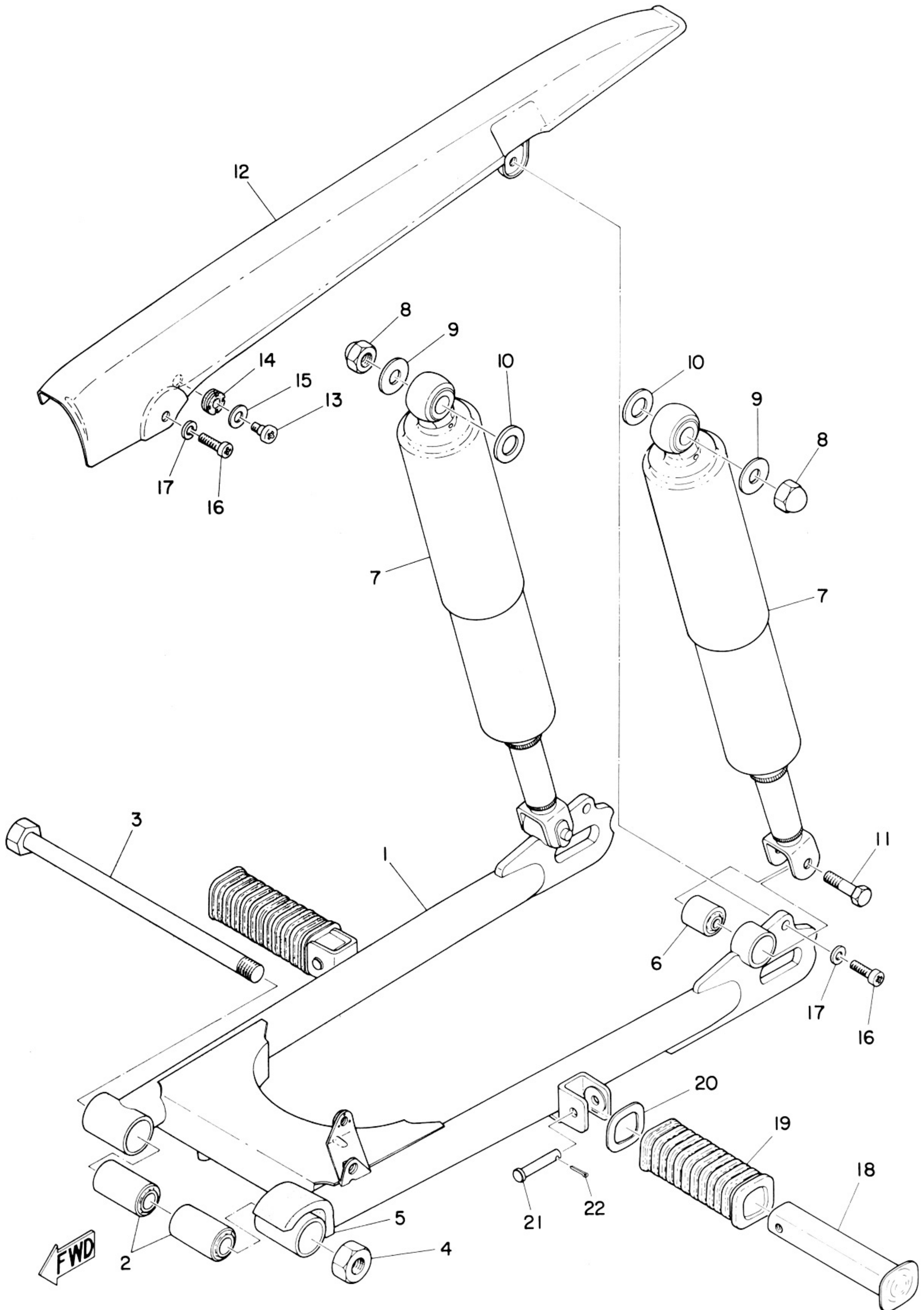
Fig. 17 REAR ARM · REAR CUSHION · CHAIN CASE



# REAR ARM · REAR CUSHION · CHAIN CASE

Ref. No.	Parts No.	Description	Q'ty	Applicable Machine No.	Remarks
17- 1	307-22110-00-33	REAR ARM COMP. ....	1		Yamaha Black
17- 2	307-22123-00	BUSHING, rear arm .....	2		
17- 3	307-22141-00	SHAFT, pivot .....	1		
17- 4	183-25182-00	NUT .....	1		
17- 5	173-22151-00	SEAL, guide .....	1		
17- 6	164-22216-00	BUSHING, rear cushion .....	2		
17- 7	307-22210-00-F4	REAR CUSHION ASS'Y .....	2		Catalina Blue
	307-22210-00-63	REAR CUSHION ASS'Y .....	2		Brilliant Red
	307-22210-00-71	REAR CUSHION ASS'Y .....	2		Mandarin Orange
17- 8	92803-10700	NUT, crown .....	2		
17- 9	102-22243-00	WASHER, rear cushion (14.8-27-2) .....	2		
17-10	135-22243-00	WASHER, rear cushion (14.8-27-2) .....	2		
17-11	164-22241-00	BOLT .....	2		
17-12	307-22311-00-93	CHAIN CASE, half .....	1		
17-13	183-22331-01	SCREW, chain case fitting ...	1		
17-14	183-22332-01	DAMPER, chain case .....	1		
17-15	183-22316-01	WASHER, chain case .....	1		
17-16	92501-06012	SCREW, panhead .....	2		
17-17	92901-06100	WASHER, spring .....	2		
17-18	307-27431-00	FOOTREST, rear .....	2		
17-19	307-27433-00	COVER, rear footrest .....	2		
17-20	307-27437-00	WASHER, special .....	2		

Fig. 17 REAR ARM · REAR CUSHION · CHAIN CASE

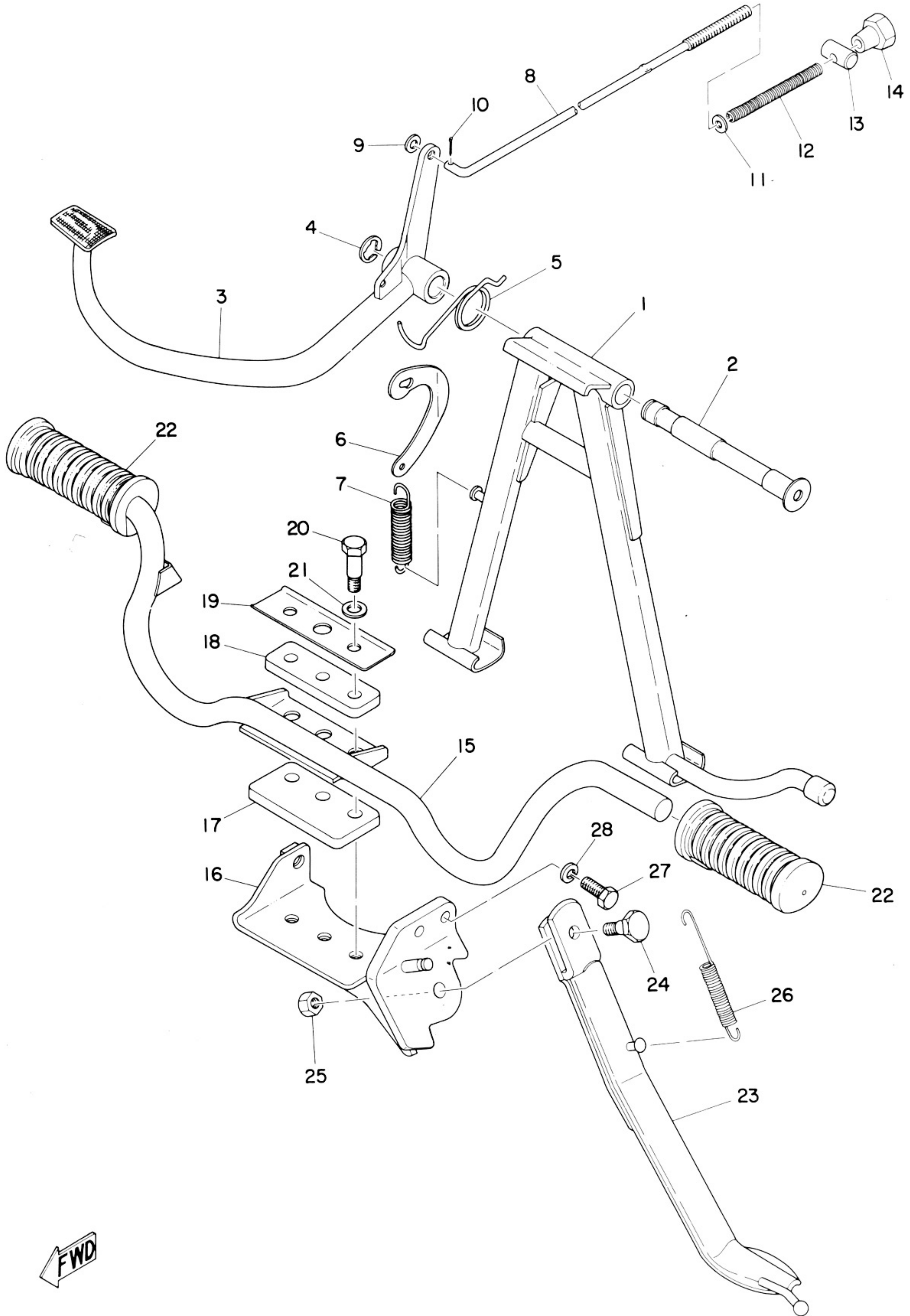




# REAR ARM · REAR CUSHION · CHAIN CASE

Ref. No.	Parts No.	Description	Q'ty	Applicable Machine No.	Remarks
17-21	91501-06035	PIN, clevis .....	2		
17-22	91401-16012	PIN, cotter .....	2		

Fig. 18 STAND · FOOTREST · BRAKE PEDAL

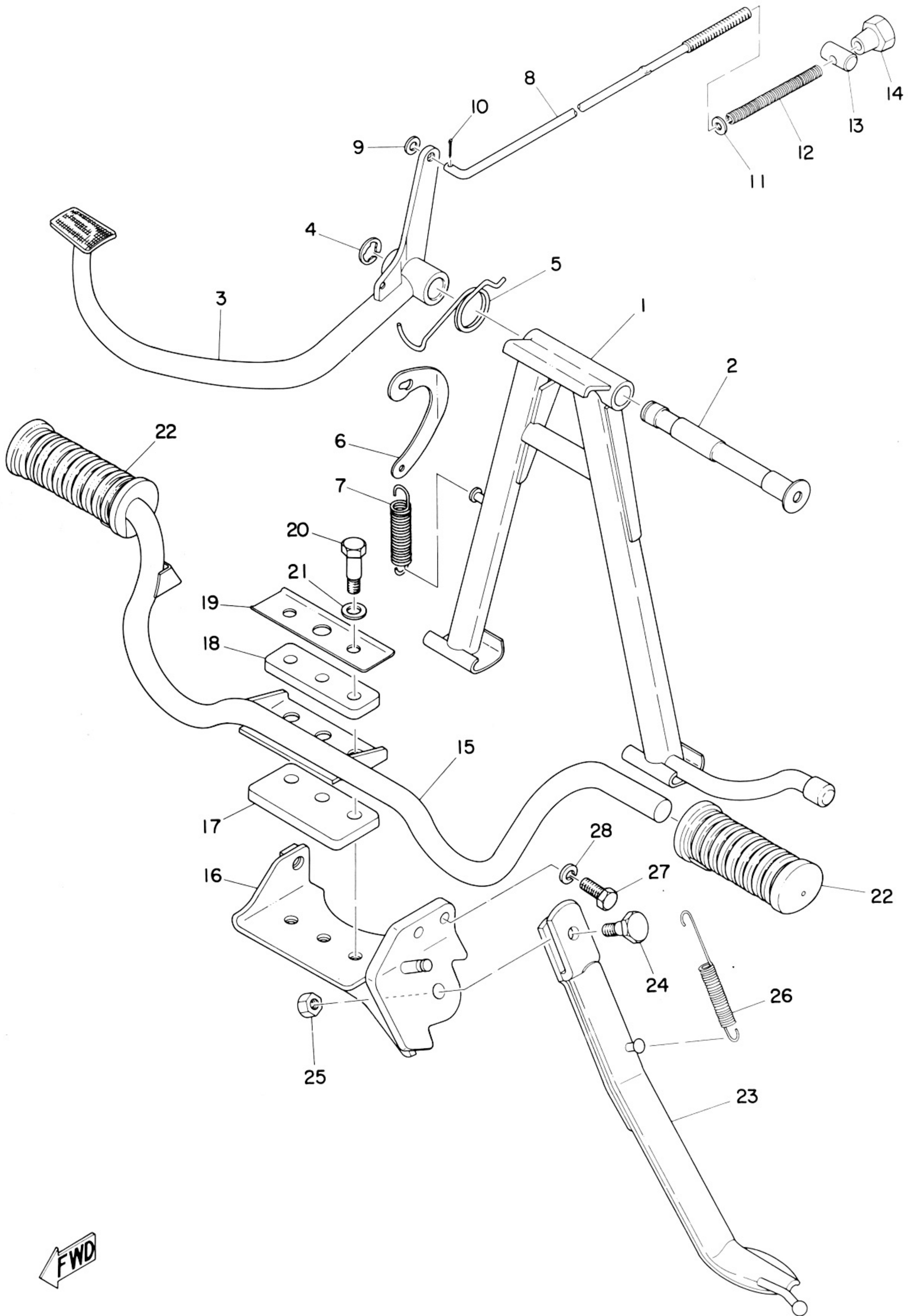




# STAND · FOOTREST · BRAKE PEDAL

Ref. No.	Parts No.	Description	Q'ty	Applicable Machine No.	Remarks
18- 1	307-27111-00	STAND, main .....	1		
18- 2	122-27112-00	SHAFT, main stand .....	1		
18- 3	307-27211-10-93	PEDAL, brake .....	1		
18- 4	93430-12008	CIRCLIP (E-12) .....	1		
18- 5	183-27216-00	SPRING, return .....	1		
18- 6	307-27115-00	LINK .....	1		
18- 7	122-27116-00	SPRING, main stand .....	1		
18- 8	307-27231-00	ROD, brake .....	1		
18- 9	92901-06200	WASHER, plain .....	1		
18-10	91401-20012	PIN, cotter .....	1		
18-11	92901-06200	WASHER, plain .....	1		
18-12	180-27236-00	SPRING, rod .....	1		
18-13	156-27237-00	PIN, clevis .....	1		
18-14	206-27238-00	NUT, adjusting .....	1		
18-15	396-27411-01	FOOTREST .....	1		
18-16	396-27412-00	BRACKET, footrest .....	1		
18-17	132-27422-00	DAMPER 2 .....	1		
18-18	132-27414-00	DAMPER 1 .....	1		
18-19	132-27417-00	WASHER, special .....	1		
18-20	132-27416-00	BOLT, footrest .....	3		
18-21	92901-10200	WASHER, plain .....	3		
18-22	307-27413-00	COVER, footrest .....	2		
18-23	307-27311-20	STAND, side .....	1		

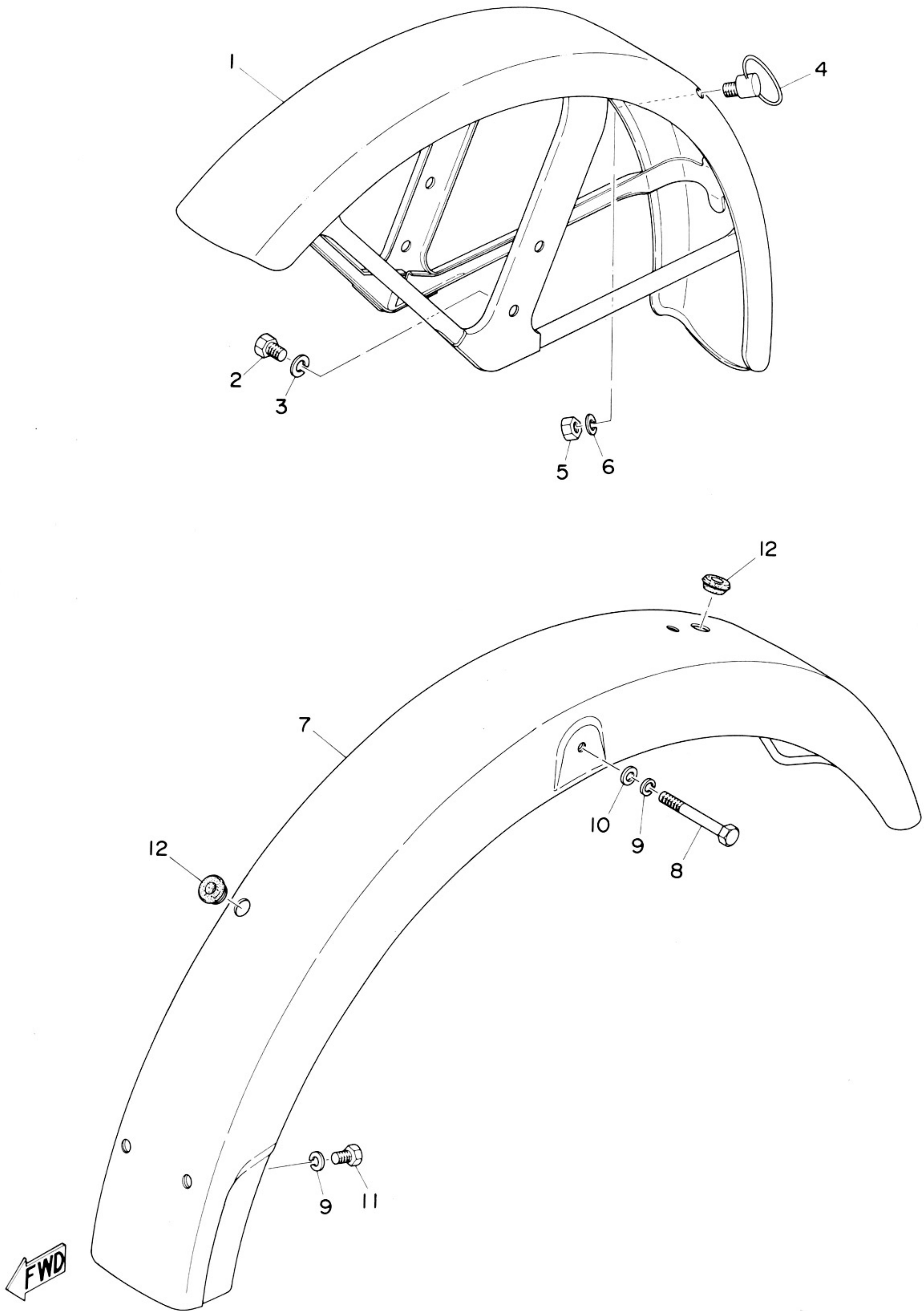
Fig. 18 STAND · FOOTREST · BRAKE PEDAL



# STAND · FOOTREST · BRAKE PEDAL

Ref. No.	Parts No.	Description	Q'ty	Applicable Machine No.	Remarks
18-24	122-27317-01	BOLT, side stand .....	1		
18-25	98801-08300	NUT .....	1		
18-26	150-27316-00	SPRING .....	1		
18-27	97201-08020	BOLT .....	1		
18-28	92901-08100	WASHER, spring .....	1		

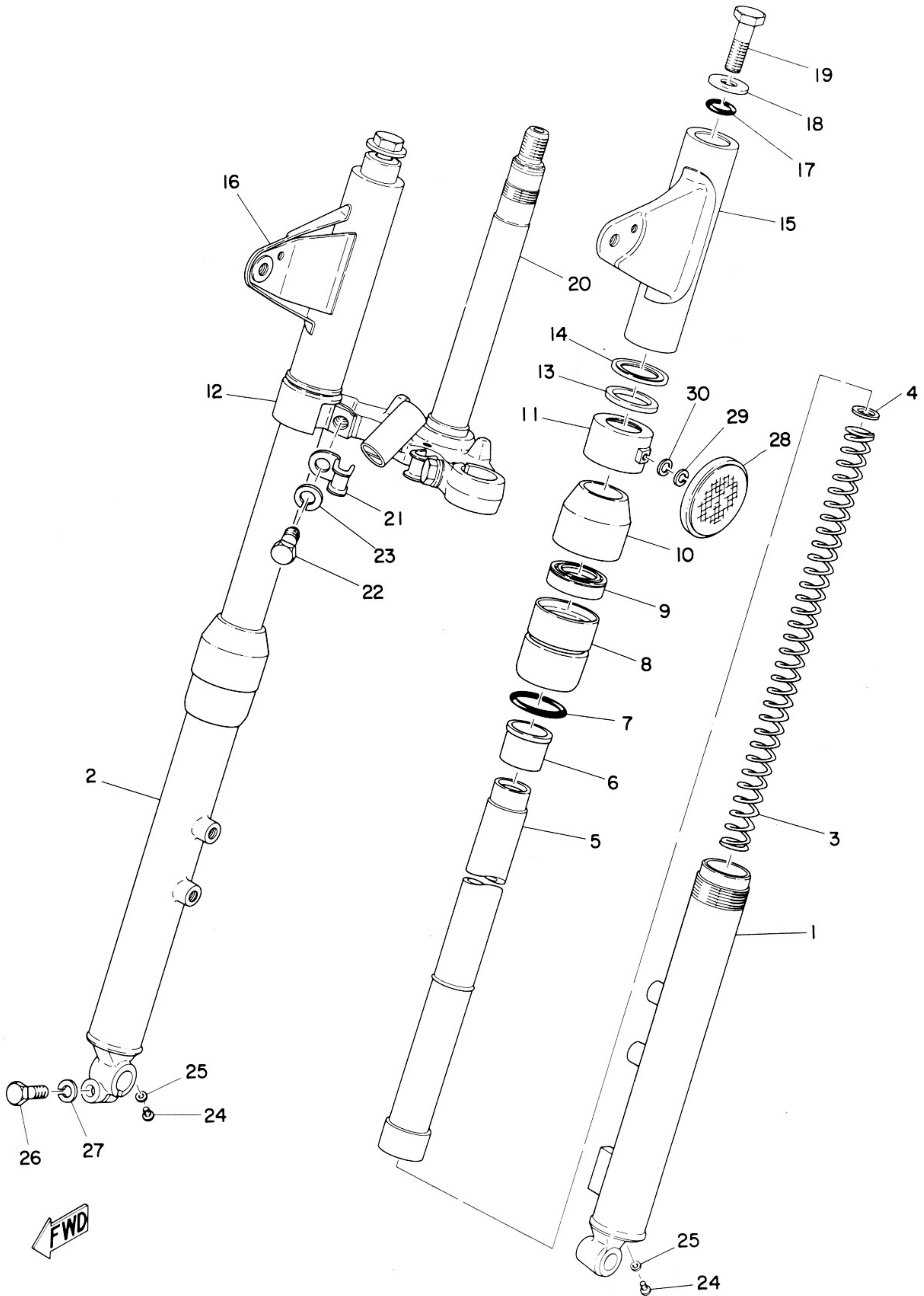
Fig. 19 FRONT FENDER · REAR FENDER



## FRONT FENDER · REAR FENDER

Ref. No.	Parts No.	Description	Q'ty	Applicable Machine No.	Remarks
19- 1	307-21510-00-93	FRONT FENDER COMP. ....	1		
19- 2	97201-08010	BOLT .....	4		
19- 3	92901-08100	WASHER, spring .....	4		
19- 4	174-21518-00-93	HOLDER, wire .....	1		
19- 5	98801-06100	NUT .....	1		
19- 6	92901-06100	WASHER, spring .....	1		
19- 7	307-21610-00-93	REAR FENDER COMP. ....	1		
19- 8	91101-06050	BOLT .....	2		
19- 9	92901-06100	WASHER, spring .....	4		
19-10	92901-06200	WASHER, plain .....	2		
19-11	91201-06012	BOLT .....	2		
19-12	152-84518-00	GROMMET, tail lamp .....	2		

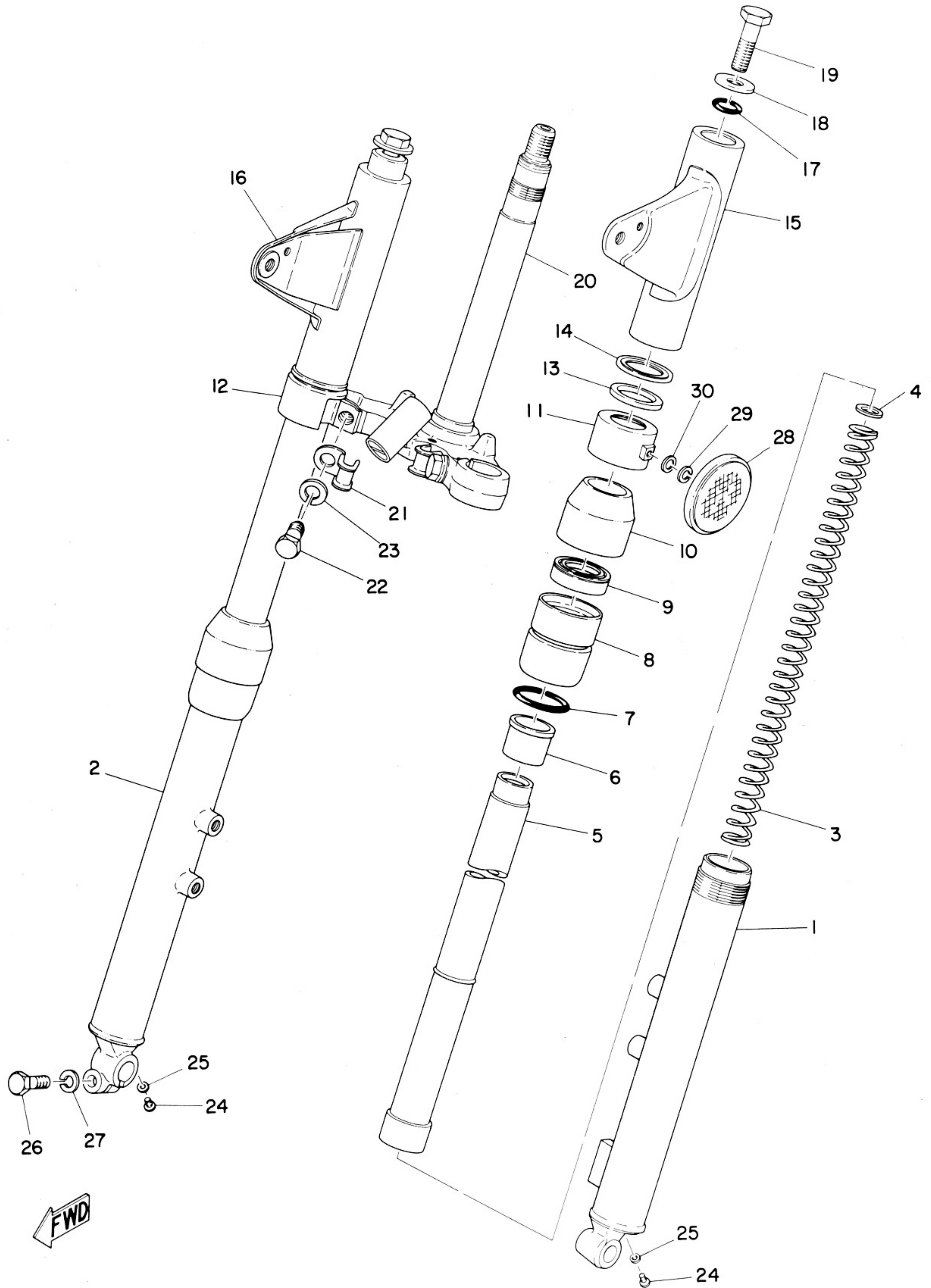
Fig. 20 FRONT FORK



# FRONT FORK

Ref. No.	Parts No.	Description	Q'ty	Applicable Machine No.	Remarks
20- 0-1	396-23101-00-00	FRONT FORK ASS'Y . . . . .	1		
20- 1	396-23126-00-35	. TUBE, outer left . . . . .	1		Silver
20- 2	307-23136-00-35	. TUBE, outer right . . . . .	1		Silver
20- 3	307-23141-00	. SPRING . . . . .	2		
20- 4	252-23149-00	. WASHER, spring upper . . . . .	2		
20- 5	252-23124-00	. TUBE, inner . . . . .	2		
20- 6	164-23125-00	. METAL, slide . . . . .	2		
20- 7	164-23147-00	. O-RING . . . . .	2		
20- 8	307-23150-00	. OUTER NUT COMP. . . . .	2		
20- 9	307-23145-00	. . OIL SEAL . . . . .	2		
20-10	252-23144-00	. SEAL, dust . . . . .	2		
20-11	307-23122-00-93	. COVER, outer . . . . .	1		
20-12	307-23132-00-93	. COVER, outer . . . . .	1		
20-13	164-23163-00	. PACKING . . . . .	2		
20-14	252-23116-00	. COVER, under . . . . .	2		
20-15	252-23121-00-F4	. COVER, upper left . . . . .	1		Catalina Blue
	252-23121-00-63	. COVER, upper left . . . . .	1		Brilliant Red
	252-23121-00-71	. COVER, upper left . . . . .	1		Mandarin Orange
20-16	252-23131-00-F4	. COVER, upper right . . . . .	1		Catalina Blue
	252-23131-00-63	. COVER, upper right . . . . .	1		Brilliant Red
	252-23131-00-71	. COVER, upper right . . . . .	1		Mandarin Orange
20-17	307-23114-00	. PACKING . . . . .	2		
20-18	183-23112-00	. WASHER, cap . . . . .	2		
20-19	307-23111-00	. BOLT, cap . . . . .	2		

Fig. 20 FRONT FORK

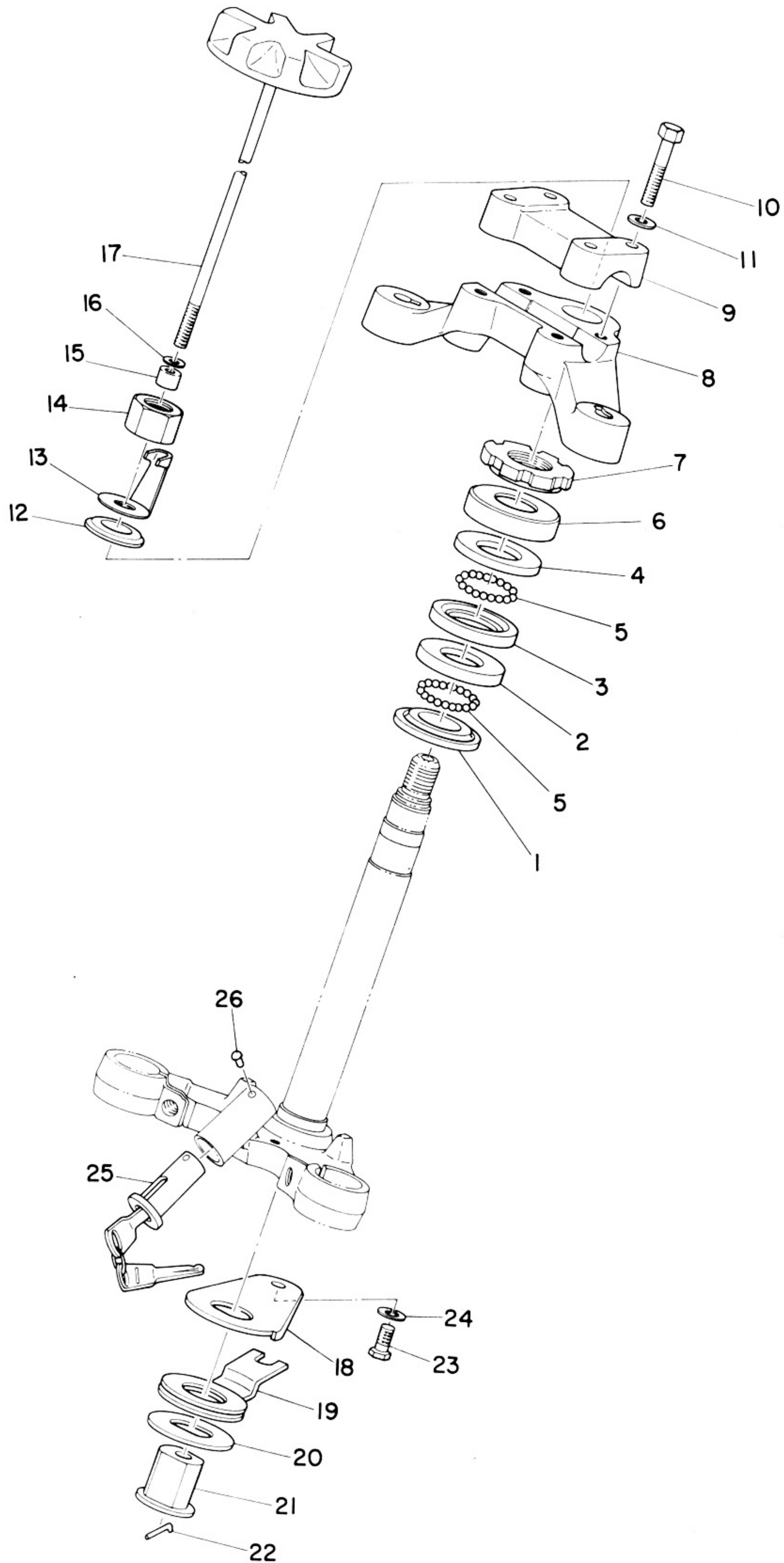




# FRONT FORK

Ref. No.	Parts No.	Description	Q'ty	Applicable Machine No.	Remarks
20-20	307-23340-00-33	. UNDER BRACKET COMP. ..	1		
20-21	183-23318-00	. HOLDER, wire .....	2		
20-22	122-23346-01	. BOLT, under bracket .....	2		
20-23	92901-10100	. WASHER, spring .....	2		
20-24	122-23119-01	. PLUG, drain .....	2		
20-25	122-23129-00	. GASKET, drain plug .....	2		
20-26	97201-08025	. BOLT .....	1		
20-27	92901-08100	. WASHER, spring .....	1		
20-28	341-85111-00	REFLECTOR .....	2		
20-29	92901-05100	WASHER, spring .....	2		
20-30	92901-05200	WASHER, plain .....	2		

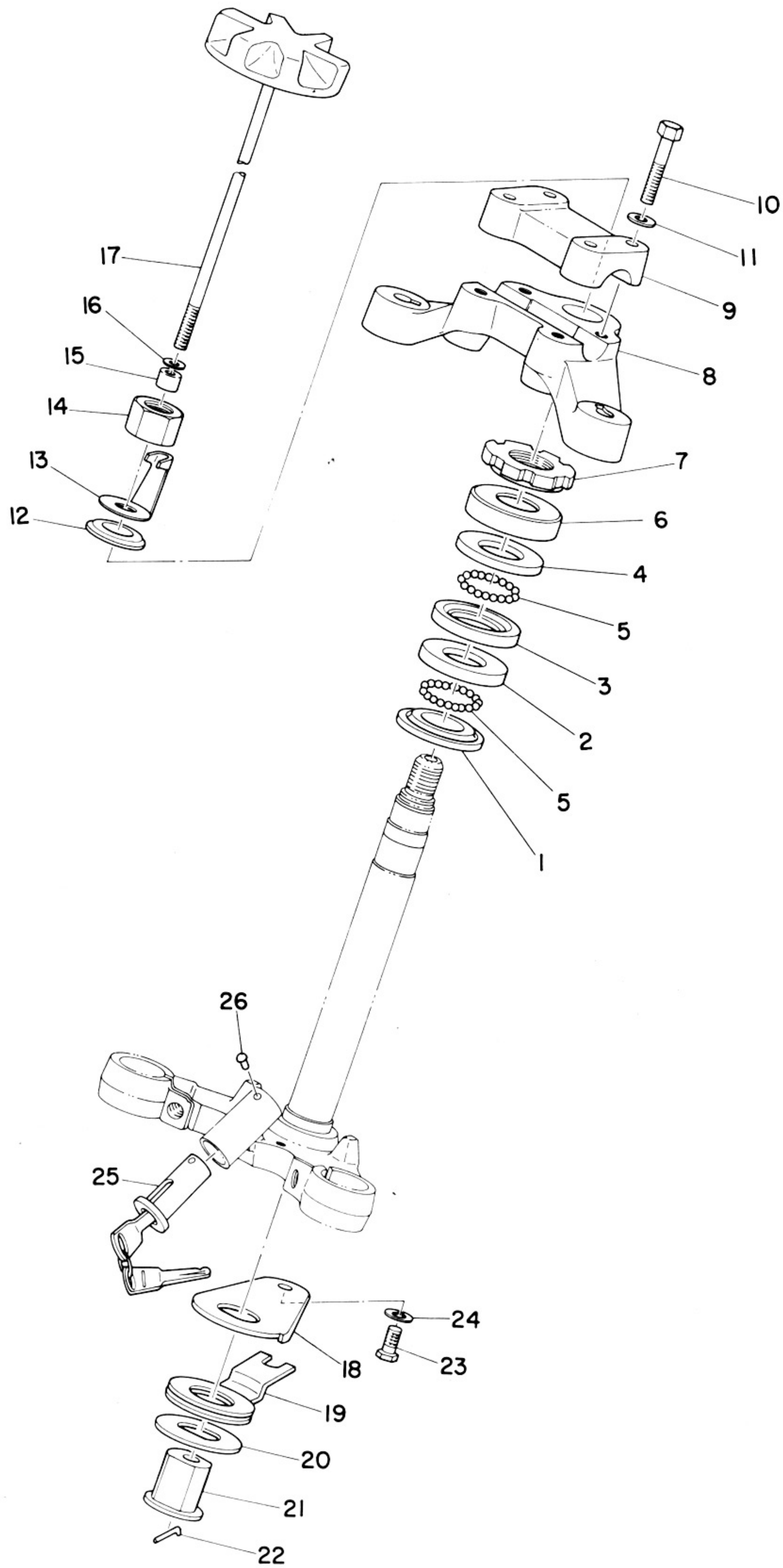
Fig. 21 STEERING



## STEERING

Ref. No.	Parts No.	Description	Q'ty	Applicable Machine No.	Remarks
21- 1	156-23411-00	RACE, ball 1 .....	1		
21- 2	156-23412-00	RACE, ball 2 .....	1		
21- 3	183-23412-00	RACE, ball 2 .....	1		
21- 4	183-23411-00	RACE, ball 1 .....	1		
21- 5	93501-04011	BALL (1/4 inch) .....	38		
21- 6	136-23415-00	COVER, ball race .....	1		
21- 7	137-23454-00	NUT, fitting .....	1		
21- 8	307-23435-00-98	CROWN, handle .....	1		
21- 9	164-23441-00	HOLDER, handle upper .....	1		
21-10	97204-08035	BOLT .....	4		
21-11	92901-08100	WASHER, spring .....	4		
21-12	174-23443-00	WASHER, crown .....	1		
21-13	246-23428-00	SPRING, danper .....	1		
21-14	98803-16200	NUT .....	1		
21-15	141-23427-00	WASHER .....	1		
21-16	156-23418-00	WASHER, special (6.5-18-0.6)	1		
21-17	307-23419-00	SHAFT, damper .....	1		
21-18	174-23421-00	PLATE, damper 1 .....	1		
21-19	183-23422-00	PLATE, damper 2 .....	1		
21-20	174-23425-00	DAMPER, friction .....	1		
21-21	174-23453-00	NUT, fitting .....	1		
21-22	156-83525-00	CLIP .....	1		
21-23	91101-06010	BOLT .....	1		

Fig. 21 STEERING



# STEERING

---

Ref. No.	Parts No.	Description	Q'ty	Applicable Machine No.	Remarks
21-24	92901-06100	WASHER, spring .....	1		
21-25	122-23480-00	STEERING LOCK ASS'Y .....	1		
21-26	122-23483-00	RIVET, screw .....	1		

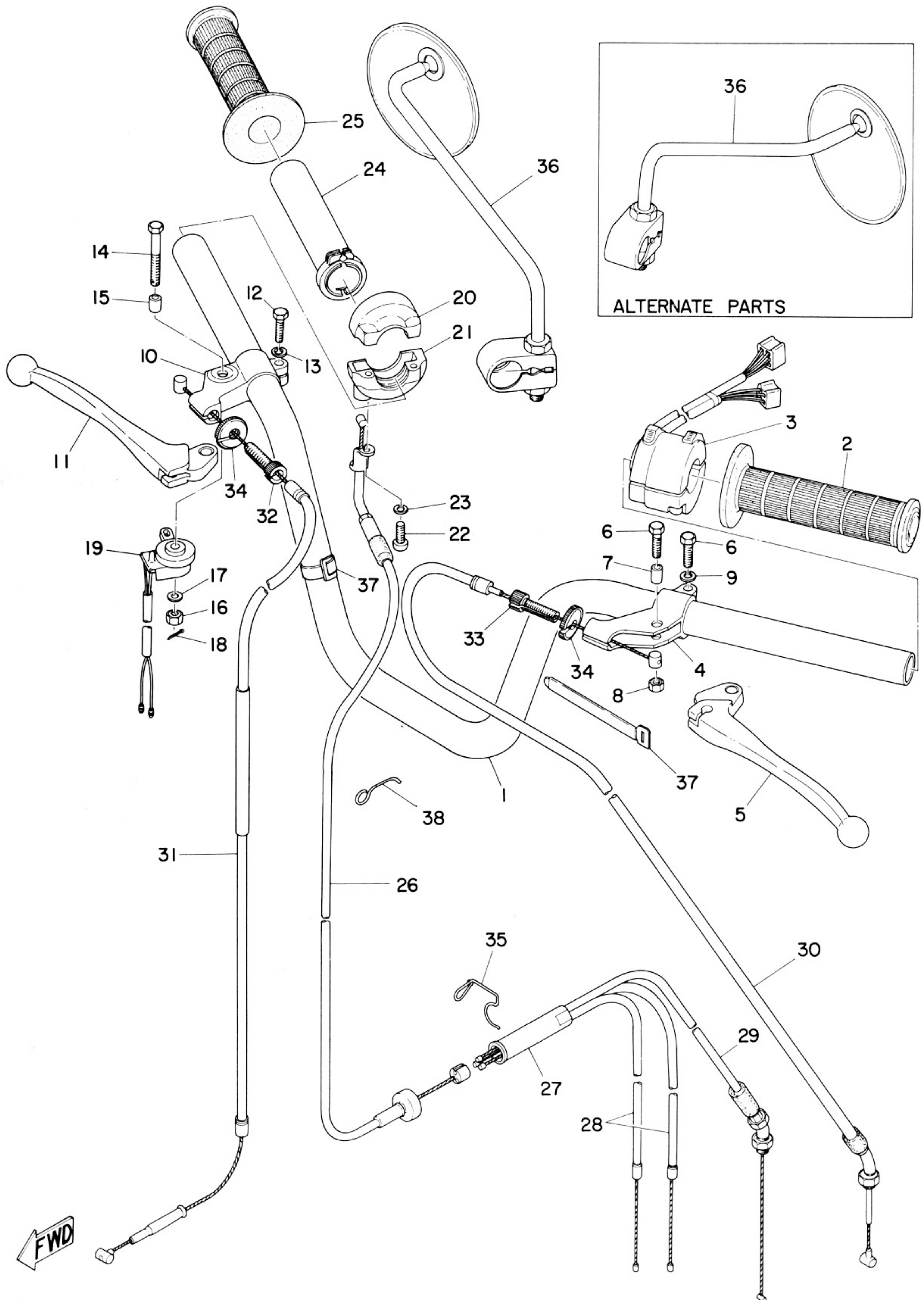
---



# HANDLE · WIRE

Ref. No.	Parts No.	Description	Q'ty	Applicable Machine No.	Remarks
22- 1	183-26111-10	HANDLE .....	1		
	307-26111-20	HANDLE .....	1		Alternate Parts
	183-26111-00	HANDLE .....	1		Alternate Parts
22- 2	235-26241-10	GRIP, left .....	1		
22- 3	396-83972-00	SWITCH HANDLE 4 .....	1		
	307-83972-20	SWITCH HANDLE 4 .....	1		
22- 0-1	214-82910-02	LEVER HOLDER ASS'Y, left ..	1		
22- 4	214-82911-01	. HOLDER, lever left .....	1		
22- 5	214-83912-00	. LEVER, left .....	1		
22- 6	91203-06020	. BOLT .....	2		
22- 7	214-83913-00	. COLLAR, lever .....	1		
22- 8	98801-06300	. NUT .....	1		
22- 9	92901-06100	. WASHER, spring .....	1		
22- 0-2	233-82920-32	LEVER HOLDER ASS'Y, right	1		
22-10	233-82921-31	. HOLDER, lever right .....	1		
22-11	233-83922-30	. LEVER, right .....	1		
22-12	91203-06020	. BOLT .....	1		
22-13	92901-06100	. WASHER, spring .....	1		
22-14	233-83915-01	. SCREW, lever fitting .....	1		
22-15	214-83913-00	. COLLAR, lever .....	1		
22-16	98801-05500	. NUT, slotted .....	1		
22-17	92901-05200	. WASHER, plain .....	1		
22-18	91401-12015	. PIN, cotter .....	1		
22-19	232-83980-30	FRONT STOP SWITCH ASS'Y ..	1		

Fig. 22 HANDLE · WIRE

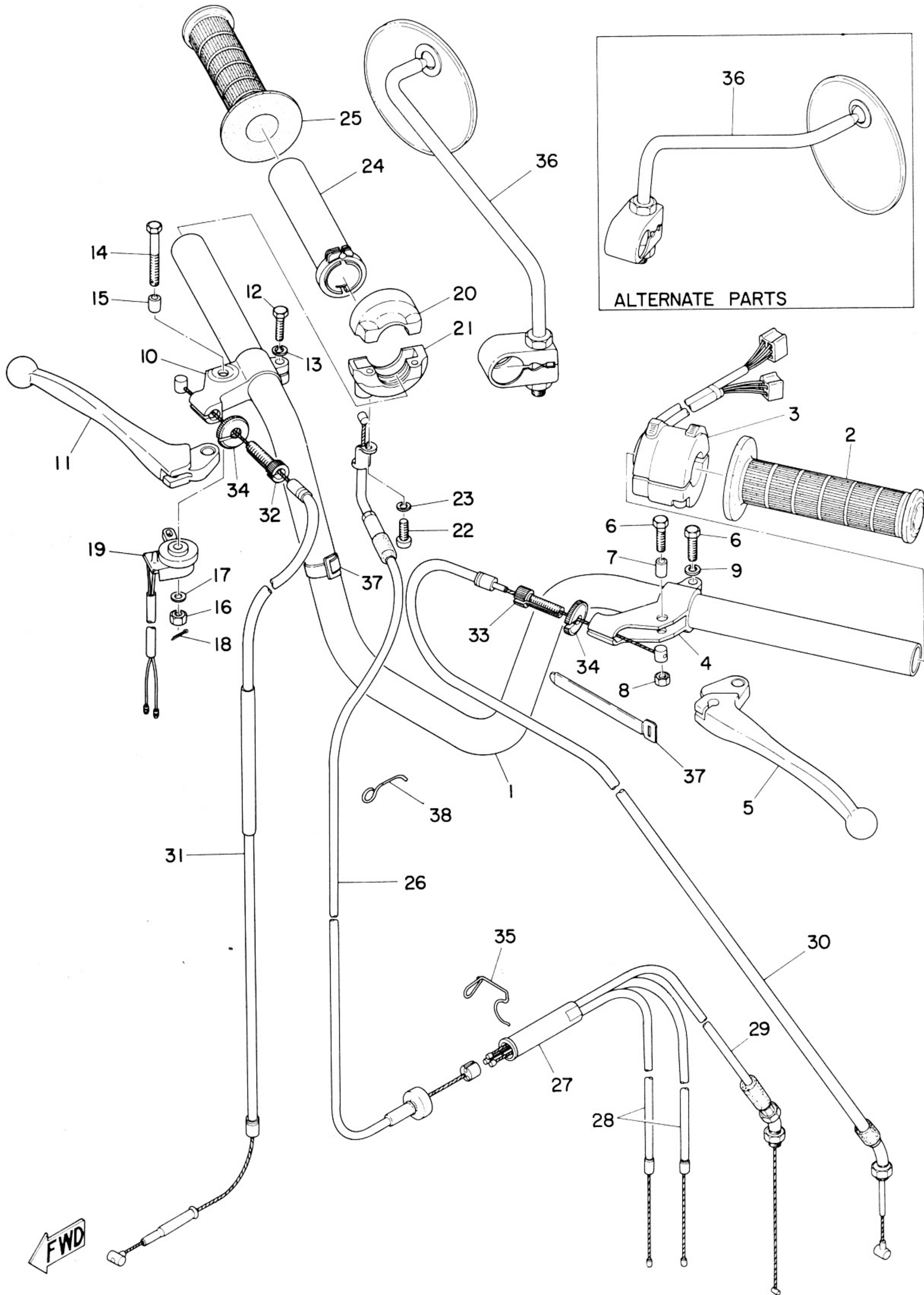




# HANDLE · WIRE

Ref. No.	Parts No.	Description	Q'ty	Applicable Machine No.	Remarks
22-20	307-26281-00	CAP, grip upper .....	1		
22-21	307-26282-00	CAP, grip under .....	1		
22-22	98501-05015	SCREW, panhead .....	2		
22-23	92901-05100	WASHER, spring .....	2		
22-24	137-26243-60	TUBE, guide .....	1		
22-25	306-26242-10	GRIP, right .....	1		
22-26	396-26311-10	WIRE, throttle 1 .....	1		
	396-26311-00	WIRE, throttle 1 .....	1		Alternate Parts
	396-26311-20	WIRE, throttle 1 .....	1		Alternate Parts
22-27	360-26261-00	CYLINDER .....	1		
22-28	396-26312-00	WIRE, throttle 2 .....	2		
22-29	396-26321-00	WIRE, pump .....	1		
22-30	396-26335-10	WIRE, clutch .....	1		
	396-26335-00	WIRE, clutch .....	1		Alternate Parts
	396-26335-20	WIRE, clutch .....	1		Alternate Parts
22-31	396-26341-10	WIRE, brake .....	1		
	396-26341-00	WIRE, brake .....	1		Alternate Parts
	396-26341-20	WIRE, brake .....	1		Alternate Parts
22-32	156-26346-00	BOLT, wire adjusting .....	1		
22-33	90123-08040	BOLT, wire adjusting .....	1		
22-34	168-26344-00	NUT, wire adjusting .....	2		
22-35	307-26278-00	CLIP, wire .....	1		

Fig. 22 HANDLE · WIRE

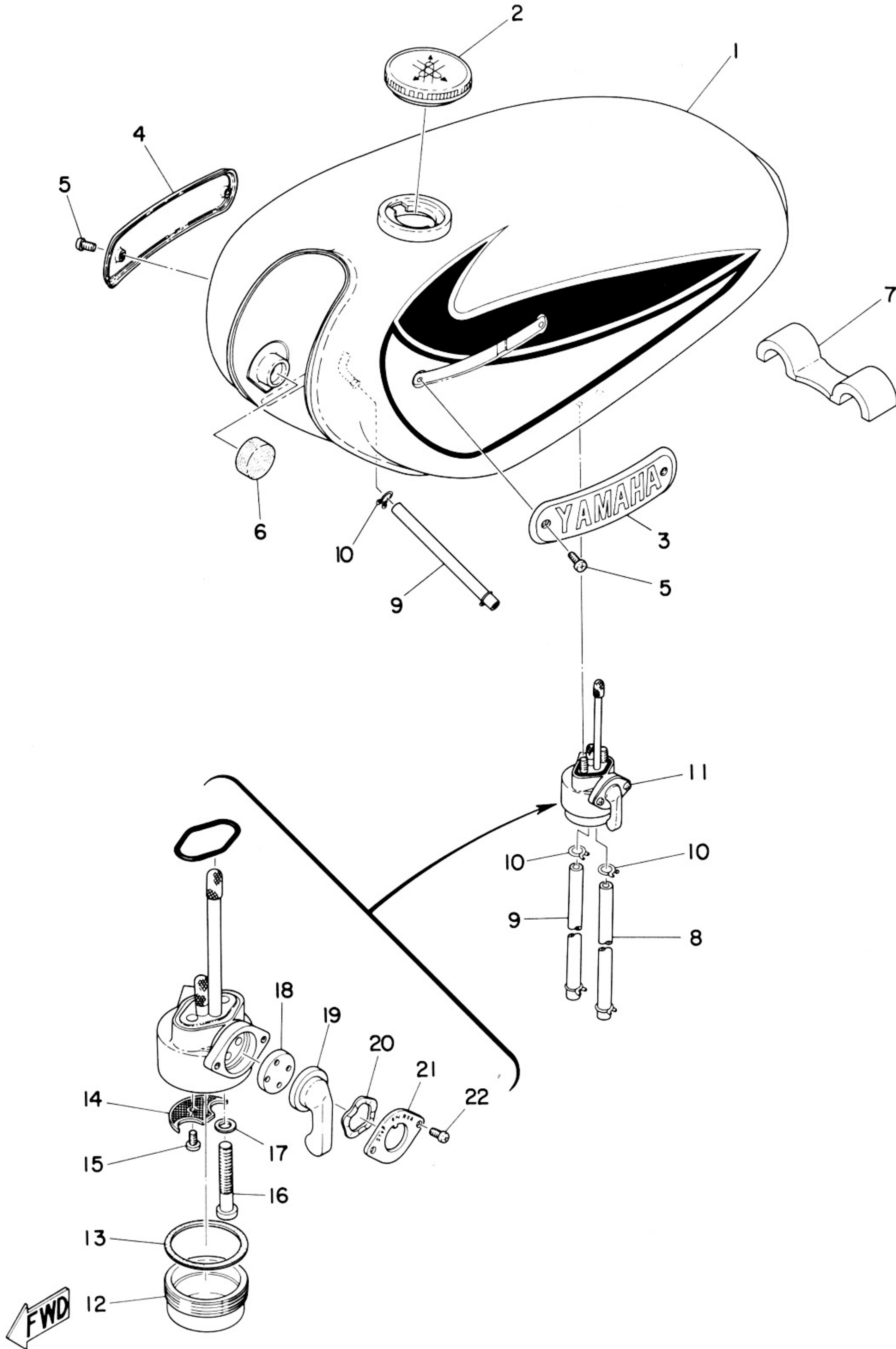


FWD

# HANDLE · WIRE

Ref. No.	Parts No.	Description	Q'ty	Applicable Machine No.	Remarks
22-36	407-26290-60	BACK MIRROR ASS'Y, right ...	1		
	382-26290-40	BACK MIRROR ASS'Y, right ...	1		Alternate Parts Flat Mirror
	407-26290-50	BACK MIRROR ASS'Y, left ...	1		Alternate Parts
	382-26290-30	BACK MIRROR ASS'Y, left ...	1		Alternate Parts Flat Mirror
22-37	168-83936-01	BAND, switch cord .....	2		
22-38	326-26328-00	GUIDE, wire .....	1		

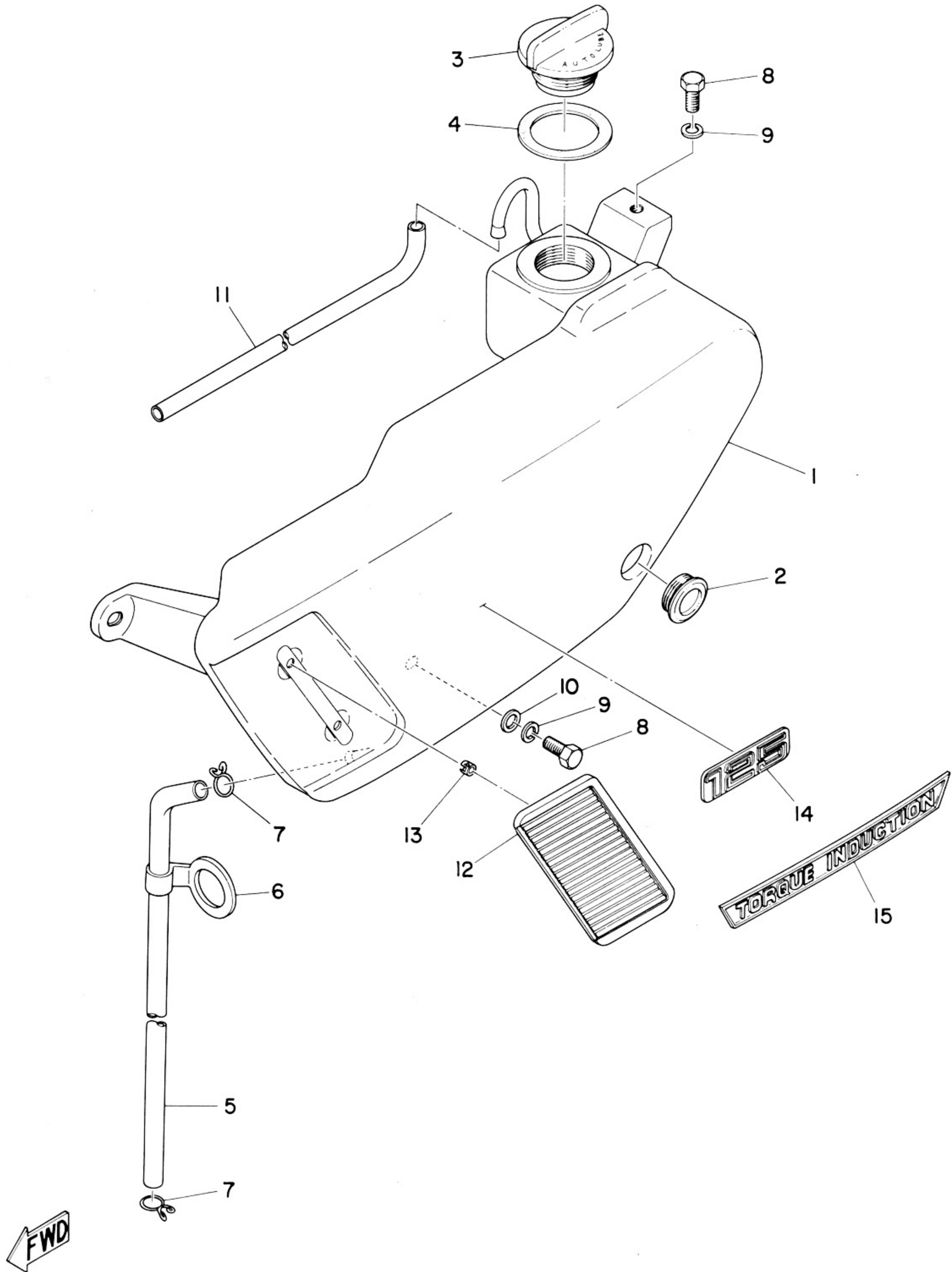
Fig. 23 FUEL TANK



# FUEL TANK

Ref. No.	Parts No.	Description	Q'ty	Applicable Machine No.	Remarks
23- 1	398-24110-10-01	FUEL TANK COMP. ....	1		Catalina Blue
	398-24110-10-02	FUEL TANK COMP. ....	1		Brilliant Red
	398-24110-10-03	FUEL TANK COMP. ....	1		Mandarin Orange
23- 2	122-24610-01	CAP ASS'Y .....	1		
23- 3	337-24161-10	EMBLEM, fuel tank left .....	1		
23- 4	337-24162-10	EMBLEM, fuel tank right .....	1		
23- 5	98501-04008	SCREW, panhead .....	4		
23- 6	122-24181-00	DAMPER, locating 1 .....	2		
23- 7	307-24182-00	DAMPER, locating 2 .....	2		
23- 8	132-24312-00	PIPE, fuel (5x135) .....	1		
23- 9	174-24312-00	PIPE, fuel (5x155) .....	1		
23-10	101-24356-00	CLIP, pipe .....	6		
23-11	168-24500-01	FUEL COCK ASS'Y .....	1		
23-12	168-24521-00	. CUP, filter .....	1		
23-13	168-24522-00	. GASKET, filter .....	1		
23-14	168-24515-00	. NUT, filter .....	1		
23-15	98501-03006	. SCREW, panhead .....	1		
23-16	92501-06035	. SCREW, panhead .....	2		
23-17	137-24513-00	. GASKET .....	2		
23-18	137-24523-00	. VALVE .....	1		
23-19	168-24524-00	. LEVER, cock .....	1		
23-20	132-24518-00	. WASHER, wave .....	1		
23-21	132-24525-00	. PLATE, lever fitting .....	1		
23-22	98501-03006	. SCREW, panhead .....	2		

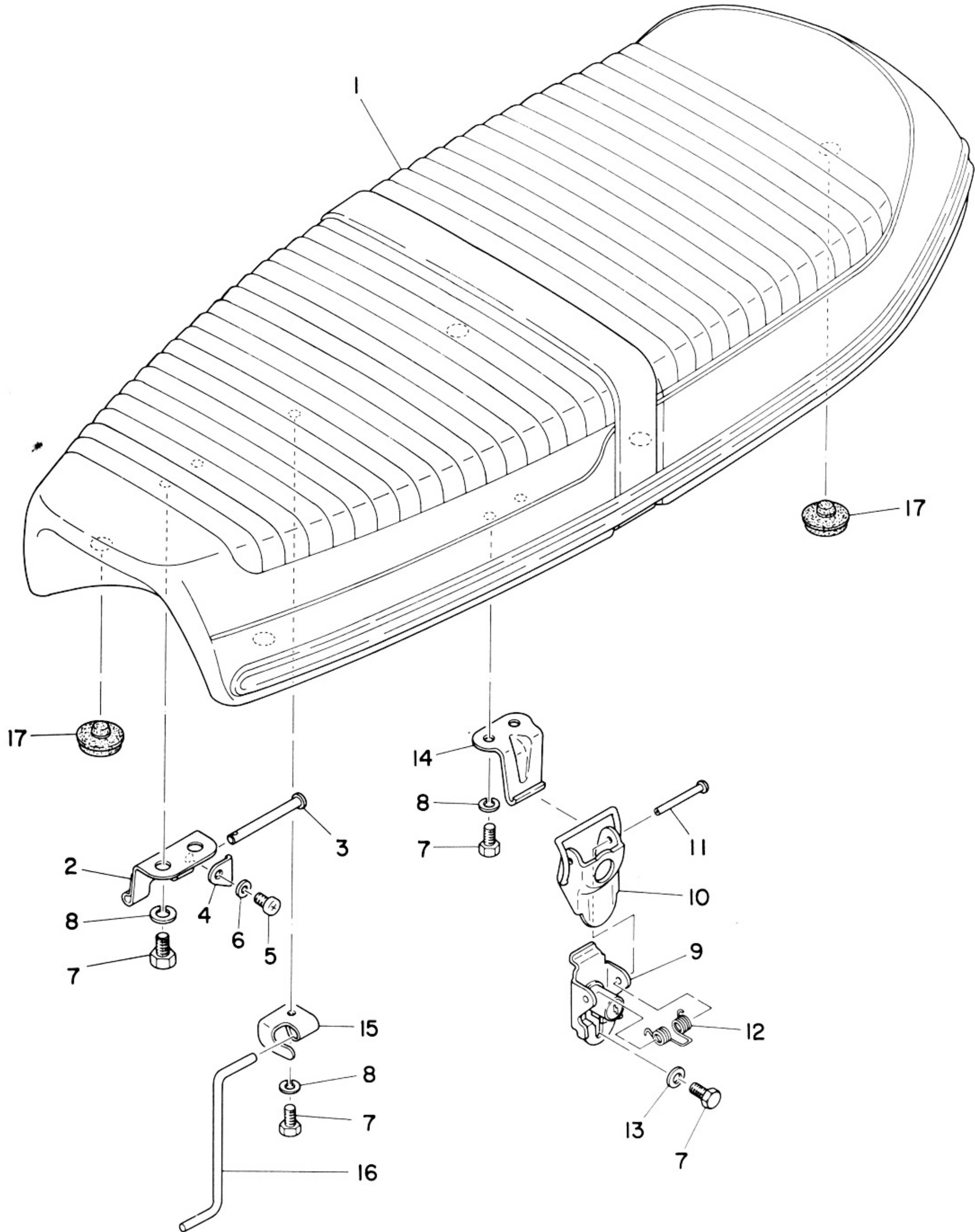
Fig. 24 OIL TANK



# OIL TANK

Ref. No.	Parts No.	Description	Q'ty	Applicable Machine No.	Remarks
24- 1	396-21705-01-F4	OIL TANK .....	1		Catalina Blue
	396-21705-01-63	OIL TANK .....	1		Brilliant Red
	396-21705-01-71	OIL TANK .....	1		Mandarin Orange
24- 2	360-21761-00	. GAUGE, level .....	1		
24- 3	214-21771-00	CAP, oil tank .....	1		
24- 4	214-21772-00	GASKET .....	1		
24- 5	307-24319-00	PIPE, oil (5-500) .....	1		
24- 6	183-24369-00	CLAMP, pipe .....	1		
24- 7	101-24356-00	CLIP, pipe .....	2		
24- 8	92501-06012	BOLT .....	3		
24- 9	92901-06100	WASHER, spring .....	2		
24-10	92901-06200	WASHER, plain .....	1		
24-11	168-82112-00	PIPE, breather (5-580) .....	1		
24-12	396-21781-01	MOOL, left .....	1		
24-13	360-24143-00	NUT .....	2		
24-14	396-21786-01	EMBLEM 125 .....	1		
24-15	360-21787-00	EMBLEM, torque induction ...	1		

Fig. 25 SEAT



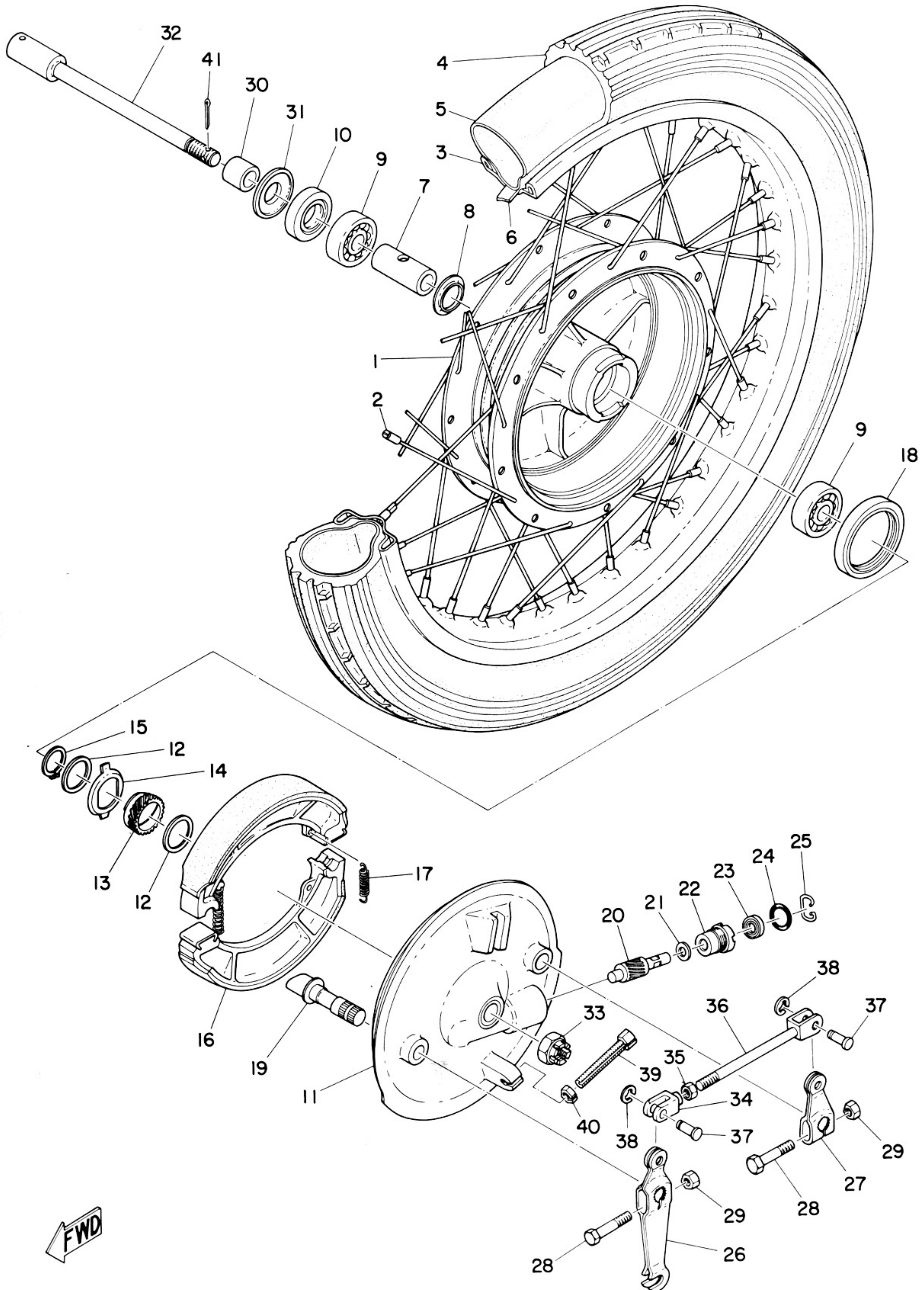
FWD



# SEAT

Ref. No.	Parts No.	Description	Q'ty	Applicable Machine No.	Remarks
25- 1	398-24730-00	DOUBLE SEAT ASS'Y .....	1		
25-1-1	398-24731-00	. COVER, double seat .....	1		
25- 2	389-24726-00-33	HINGE, seat .....	2		
25- 3	91502-05055	PIN, clevis .....	2		
25- 4	389-24756-00	STOPPER .....	2		
25- 5	92501-06010	SCREW, panhead .....	2		
25- 6	92901-06100	WASHER .....	2		
25- 7	91201-06012	BOLT .....	8		
25- 8	92901-06100	WASHER, spring .....	7		
25- 9	353-24718-01	BRACKET, seat under .....	1		
25-10	353-24776-00-33	LEVER, seat .....	1		
25-11	353-24727-00	PIN, seat fitting .....	1		
25-12	353-24758-00	SPRING, seat .....	1		
25-13	92901-06200	WASHER, plain .....	1		
25-14	278-24728-00-33	BRACKET, seat .....	1		
25-15	276-24748-00-33	BRACKET, seat stopper .....	1		
25-16	307-24768-00	STOPPER, seat .....	1		
25-17	174-24741-00	PAD, seat .....	5		

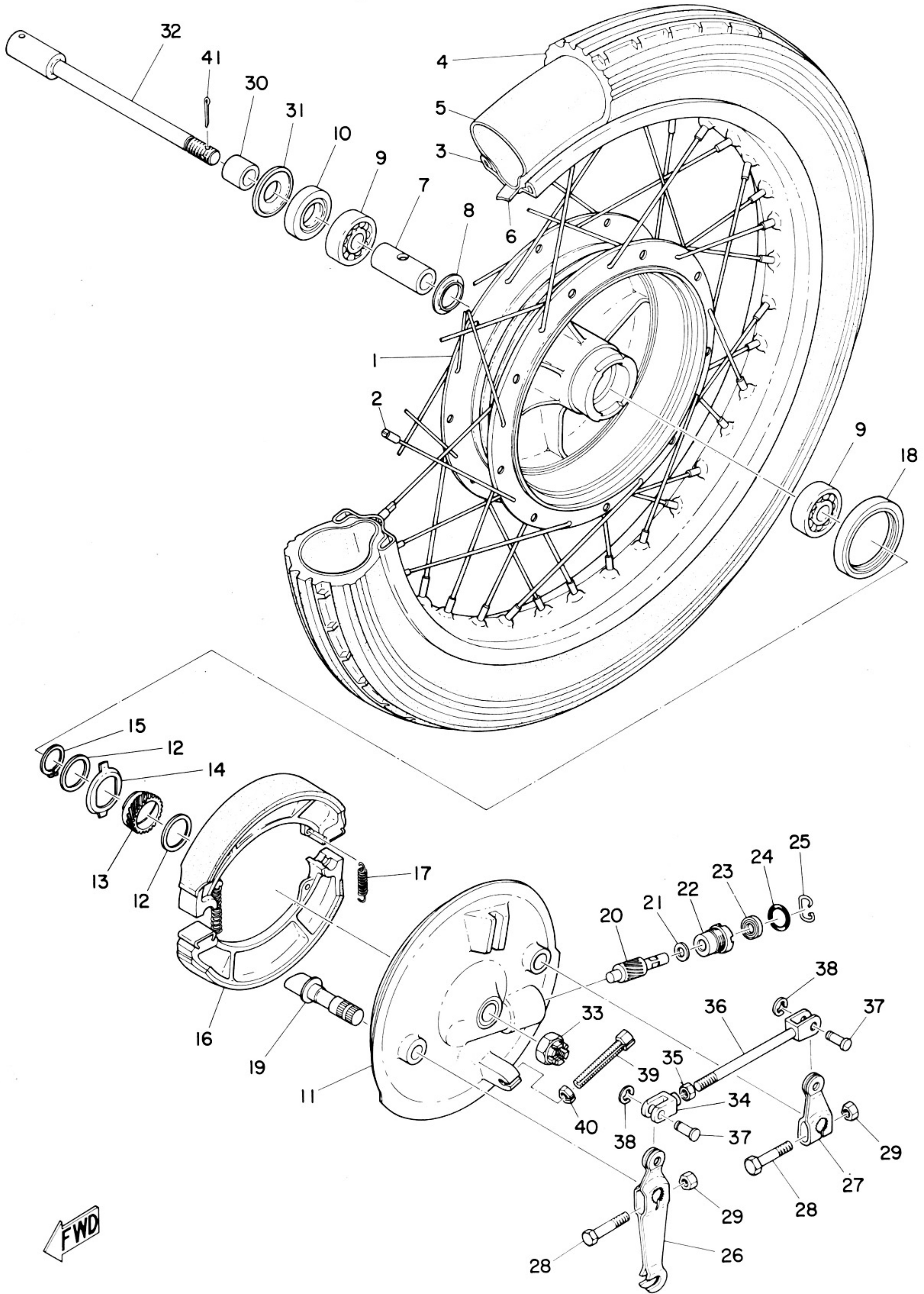
Fig. 26 FRONT WHEEL



## FRONT WHEEL

Ref. No.	Parts No.	Description	Q'ty	Applicable Machine No.	Remarks
26- 1	307-25111-00	HUB, front .....	1		
26- 2	307-25104-00	SPOKE SET .....	1s		
26- 3	94414-18095	RIM (1.40-18) .....	1		
26- 4	94125-18019	TIRE, front (2.50-18-14PR) ..	1		
26- 5	94225-18006	TUBE (2.50-18) .....	1		
26- 6	94325-18005	BAND, rim .....	1		
26- 7	183-25117-00	SPACER, bearing .....	1		
26- 8	109-25315-00	FLANGE, spacer .....	1		
26- 9	93306-30103	BEARING (6303Z) .....	2		
26-10	93102-18008	OIL SEAL (SD18-37-8) .....	1		
26-11	307-25121-00	PLATE, brake shoe .....	1		
26-12	183-25147-00	WASHER, thrust 2 (20.5-26.1.0)	2		
26-13	307-25135-00	GEAR, drive .....	1		
26-14	183-25149-00	CLUTCH, meter .....	1		
26-15	93410-20009	CIRCLIP (S-20) .....	1		
26-16	307-25130-00	BRAKE SHOE COMP. ....	2		
26-17	183-25333-00	SPRING, return .....	2		
26-18	93105-47007	OIL SEAL (SOD47-58-7) .....	1		
26-19	183-25351-00	CAM, shaft .....	2		
26-20	307-25138-00	GEAR, meter .....	1		
26-21	183-25146-00	WASHER, thrust (7-12-0.8) ...	1		
26-22	109-25136-00	BUSHING .....	1		
26-23	93104-07003	OIL SEAL (SD7-14-4) .....	1		

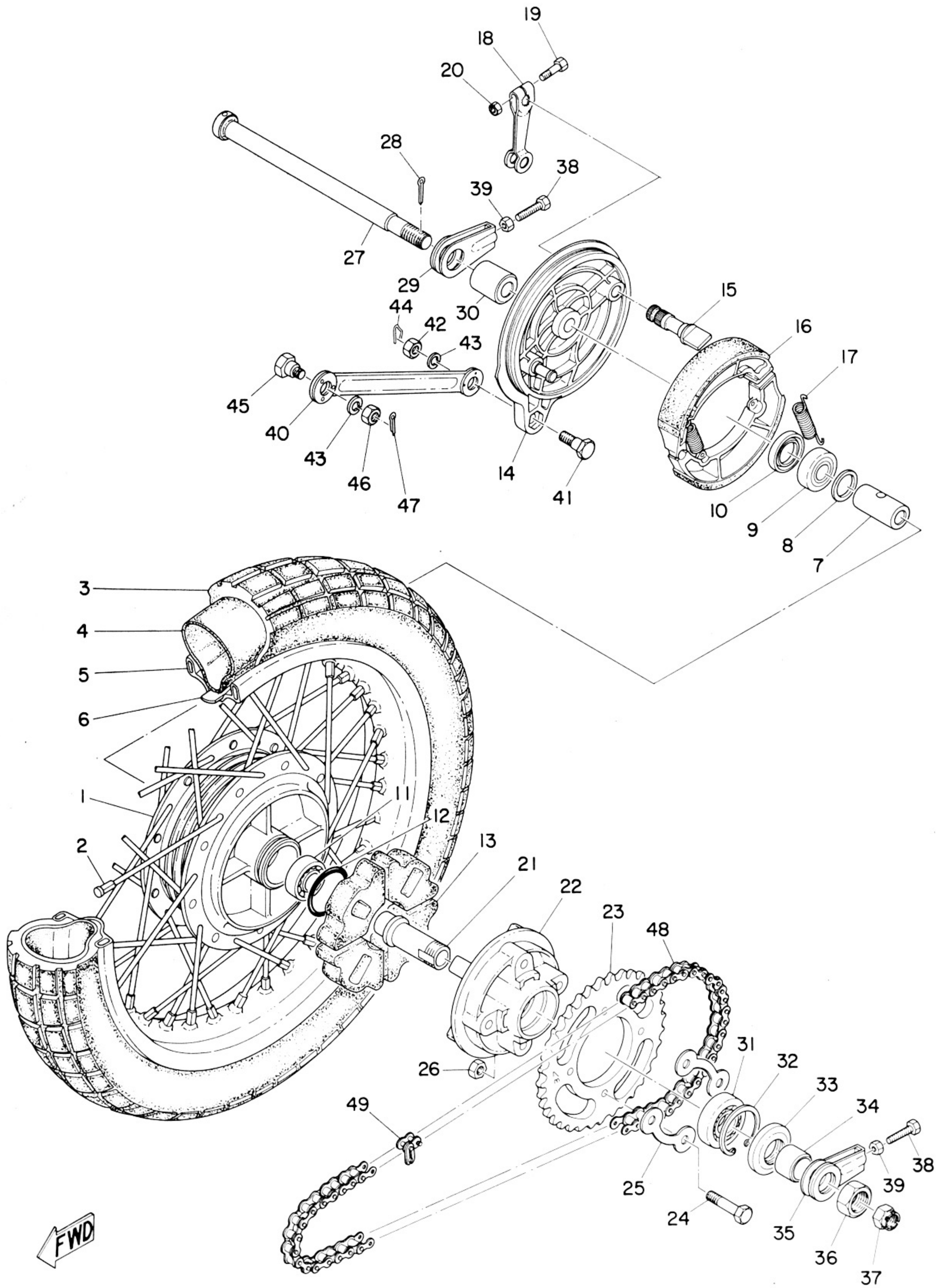
Fig. 26 FRONT WHEEL



## FRONT WHEEL

Ref. No.	Parts No.	Description	Q'ty	Applicable Machine No.	Remarks
26-24	93210-14104	O-RING .....	1		
26-25	102-25137-00	RING, stopper .....	1		
26-26	307-25155-00	LEVER, cam shaft 1 .....	1		
26-27	307-25156-00	LEVER, cam shaft 2 .....	1		
26-28	91201-06030	BOLT .....	2		
26-29	98801-06100	NUT .....	2		
26-30	183-25183-00	COLLAR, shaft .....	1		
26-31	183-25118-00	COVER, dust .....	1		
26-32	382-25181-00	SHAFT, wheel .....	1		
26-33	367-25382-00	NUT, shaft .....	1		
26-34	152-25163-00	ROD, end .....	1		
26-35	98801-06300	NUT .....	1		
26-36	307-25161-00	ROD, connecting .....	1		
26-37	152-25165-00	PIN, rod end .....	2		
26-38	93430-04003	CIRCLIP (E-4) .....	2		
26-39	326-26345-00	BOLT, wire adjusting .....	1		
26-40	109-26344-00	NUT, wire adjusting .....	1		
26-41	91401-30022	PIN, cotter .....	1		

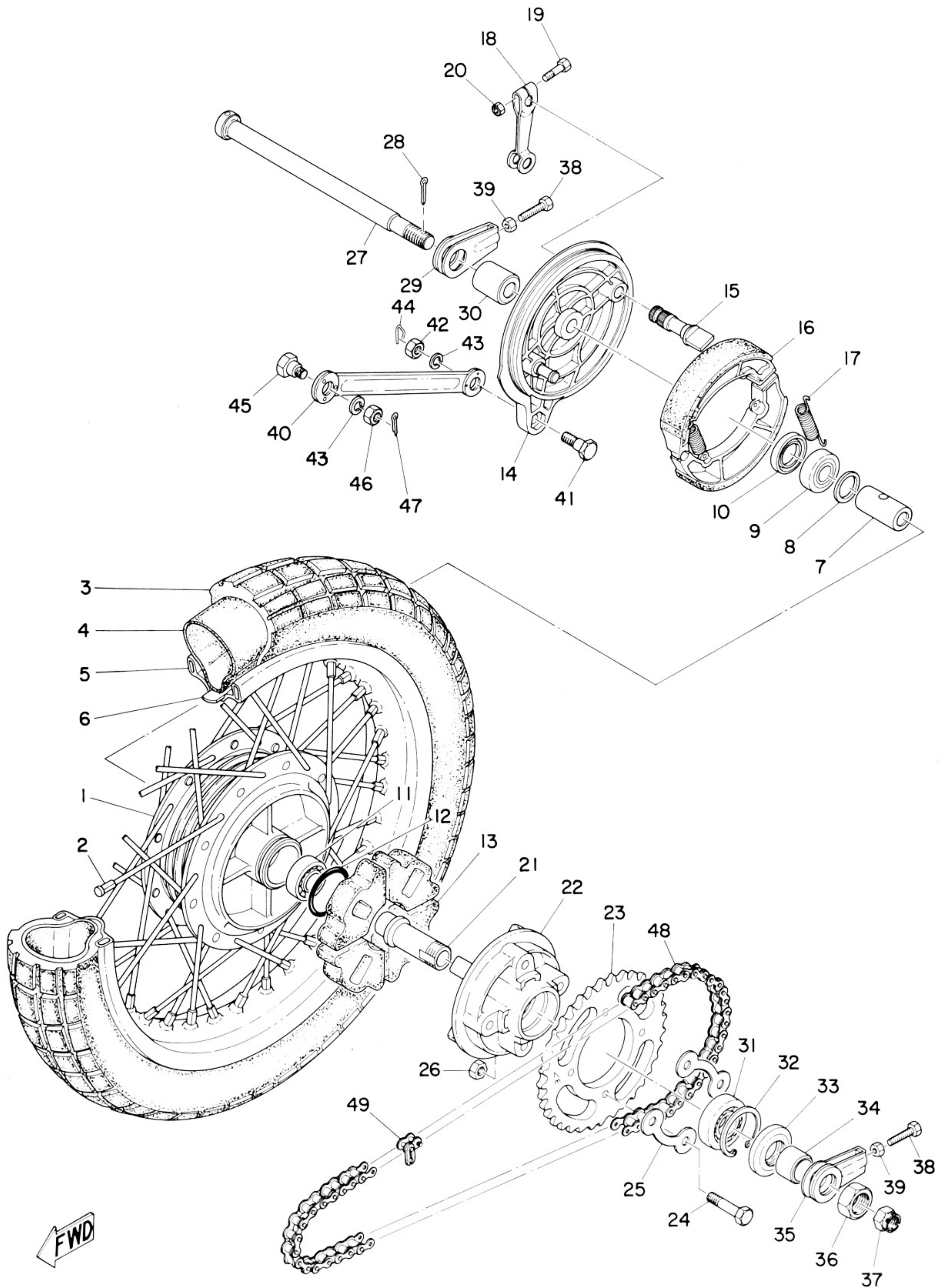
Fig. 27 REAR WHEEL



## REAR WHEEL

Ref. No.	Parts No.	Description	Q'ty	Applicable Machine No.	Remarks
27- 1	183-25311-00	HUB, rear .....	1		
27- 2	183-25304-00	SPOKE SET .....	1s		
27- 3	94127-18064	TIRE, rear (2.75-18-4PR) ...	1		
27- 4	94227-18009	TUBE (2.75-18) .....	1		
27- 5	94416-18018	RIM (1.60-18) .....	1		
27- 6	94327-18007	BAND, rim (2.75-18) .....	1		
27- 7	136-25317-00	SPACER, bearing .....	1		
27- 8	183-25315-00	FLANGE, spacer .....	1		
27- 9	93306-20201	BEARING (6202) .....	1		
27-10	93104-22018	OIL SEAL (SD-22-35-5) .....	1		
27-11	93306-20204	BEARING (6202Z) .....	1		
27-12	93210-42101	O-RING .....	1		
27-13	132-25364-00	DAMPER, clutch .....	4		
27-14	183-25321-00	PLATE, brake shoe .....	1		
27-15	183-25351-00	CAM, shaft .....	1		
27-16	183-25330-01	BRAKE SHOE COMP. ....	2		
27-17	183-25333-00	SPRING, return .....	2		
27-18	307-25355-00	LEVER, cam shaft .....	1		
27-19	91201-06025	BOLT .....	1		
27-20	98801-06100	NUT .....	1		
27-21	183-25387-00	SHAFT, sprocket .....	1		
27-22	183-25366-01	CLUTCH, hub .....	1		
27-23	183-25437-10	GEAR, sprocket wheel (36T) ...	1		
	183-25437-10	GEAR, sprocket wheel (37T) ..	1		

Fig. 27 REAR WHEEL

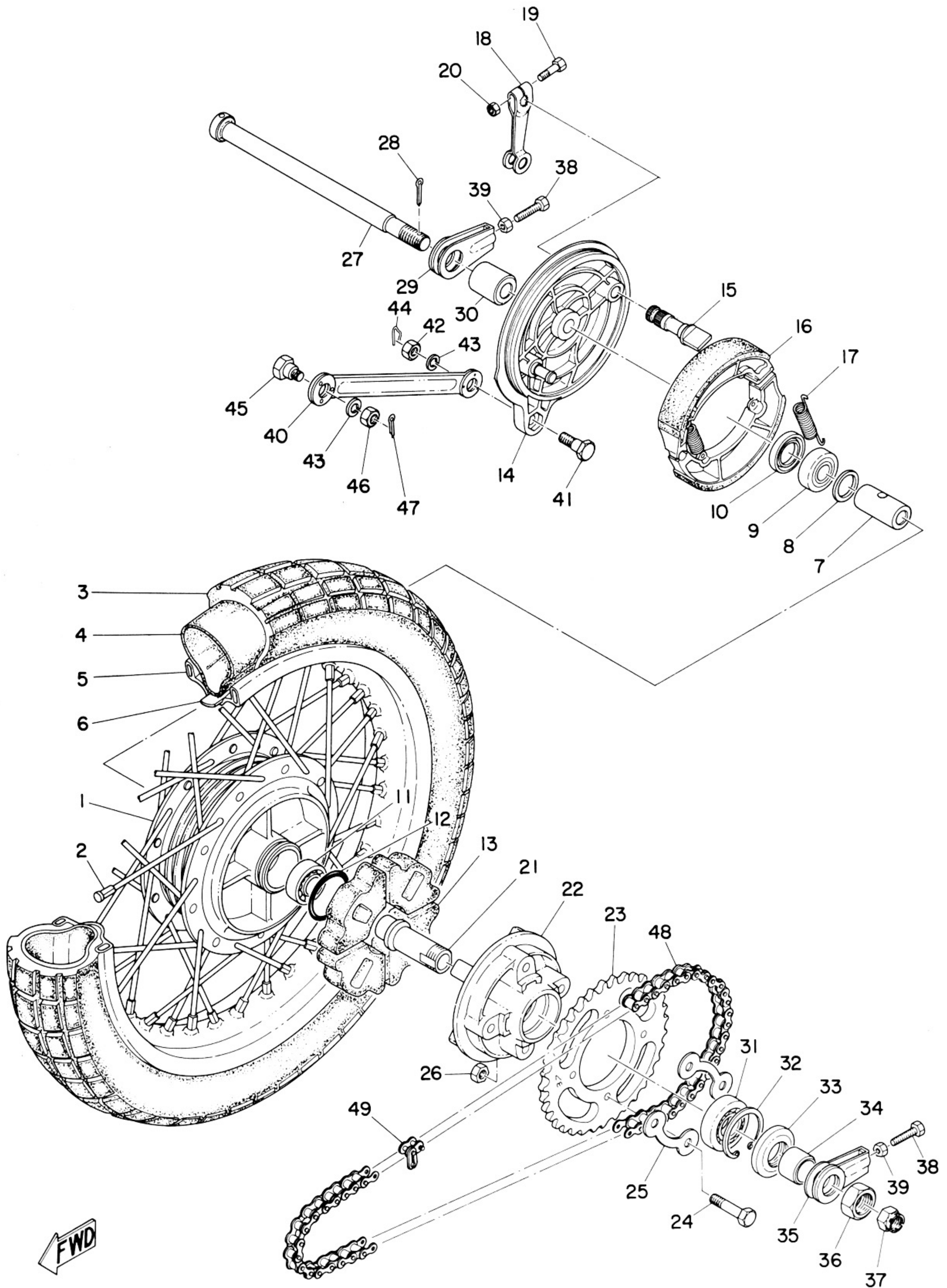




## REAR WHEEL

Ref. No.	Parts No.	Description	Q'ty	Applicable Machine No.	Remarks
	183-25438-10	GEAR, sprocket wheel (38T) ..	1		
	183-25439-10	GEAR, sprocket wheel .....	1		
27-24	207-25411-00	BOLT, fitting .....	4		
27-25	102-25412-00	WASHER, lock .....	2		
27-26	98801-08200	NUT .....	4		
27-27	382-25381-00	SHAFT, wheel .....	1		
27-28	91401-30028	PIN, cotter .....	1		
27-29	248-25388-00	PULLER, chain .....	1		
27-30	183-25383-00	COLLAR, wheel shaft .....	1		
27-31	93306-00406	BEARING (6004Z) .....	1		
27-32	93420-42007	CIRCLIP (R-42) .....	1		
27-33	93106-26005	OIL SEAL (SDD-26-42-81) ...	1		
27-34	183-25386-00	COLLAR, sprocket shaft ....	1		
27-35	214-25388-00	PULLER, chain .....	1		
27-36	137-25385-00	NUT, sprocket wheel .....	1		
27-37	214-25182-01	NUT .....	1		
27-38	168-25379-00	BOLT, chain puller .....	2		
27-39	98801-08300	NUT .....	2		
27-40	307-25371-00	BAR, tension .....	1		
27-41	109-25373-00	BOLT, tension bar .....	1		
27-42	98801-08300	NUT .....	1		
27-43	92901-08100	WASHER, spring .....	2		
27-44	102-25375-00	CLIP, tension bar .....	1		

Fig. 27 REAR WHEEL

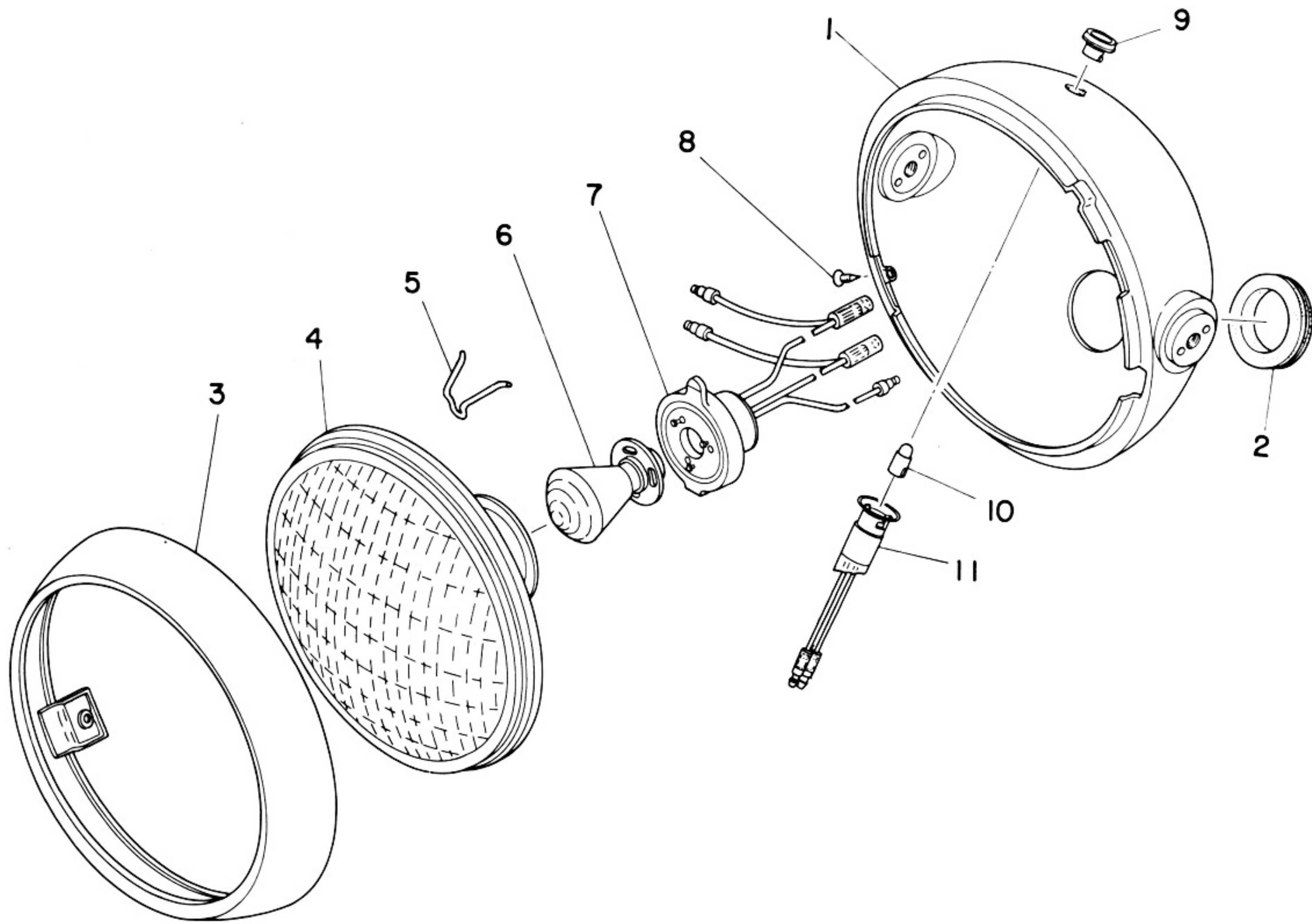


# REAR WHEEL

Ref. No.	Parts No.	Description	Q'ty	Applicable Machine No.	Remarks
27-45	183-25378-00	BOLT, tension bar .....	1		
27-46	98801-08100	NUT .....	1		
27-47	91401-20012	PIN, cotter .....	1		
27-48	94504-28110	CHAIN (DK428-110L) .....	1		
27-49	94604-28001	. JOINT, chain .....	1		



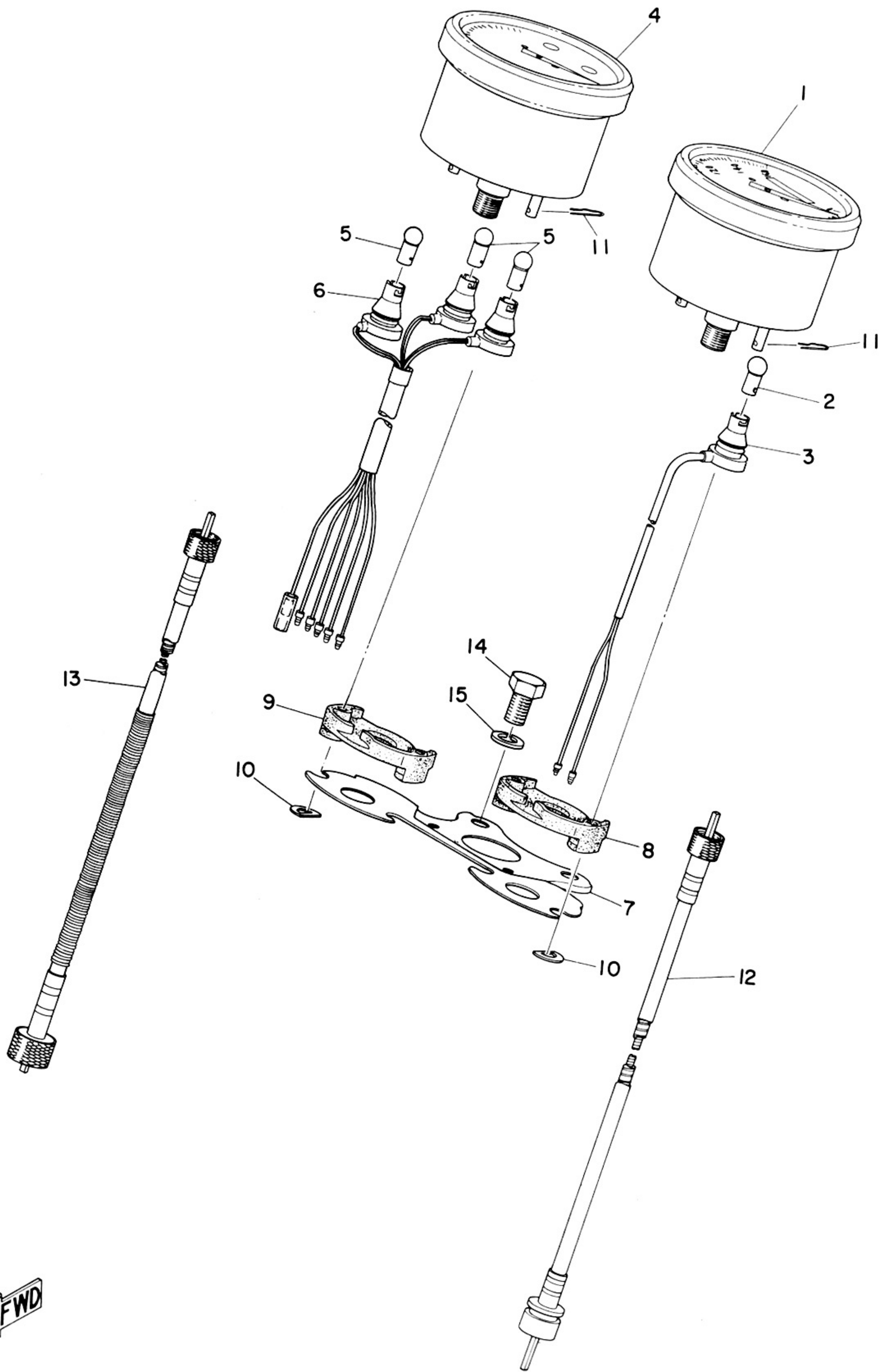
Fig. 28 HEAD LAMP



# HEAD LAMP

Ref. No.	Parts No.	Description	Q'ty	Applicable Machine No.	Remarks
28- 1	237-84330-60-F4	HEAD LAMP BODY ASS'Y	.... 1		Catalina Blue
	237-84330-60-63	HEAD LAMP BODY ASS'Y	.... 1		Brilliant Red
	237-84330-60-71	HEAD LAMP BODY ASS'Y	.... 1		Mandarin Orange
28- 2	214-84153-60	GROMMET	..... 1		
28- 0-1	252-84310-00	HEAD LAMP UNIT ASS'Y	..... 1		
28- 3	237-84315-00	. RIM, head lamp	..... 1		
28- 4	237-84320-00	. LENS ASS'Y	..... 1		
28- 5	195-84324-00	. SPRING, reflector set	..... 4		
28- 6	183-84314-60	. BULB, head lamp (12V-35/35W)	1		
28- 7	252-84312-00	. SOCKET	..... 1		
28- 8	195-84325-00	. SCREW, rim fitting	..... 1		
28- 0-2	256-84301-61	PILOT LAMP ASS'Y	..... 1		
28- 9	256-84357-61	. BODY, pilot lamp	..... 1		
28-10	256-84347-00	. BULB, pilot (12V-2W)	..... 1		
28-11	256-84350-61	. SOCKET CORD ASS'Y	..... 1		

Fig. 29 SPEEDOMETER · TACHOMETER

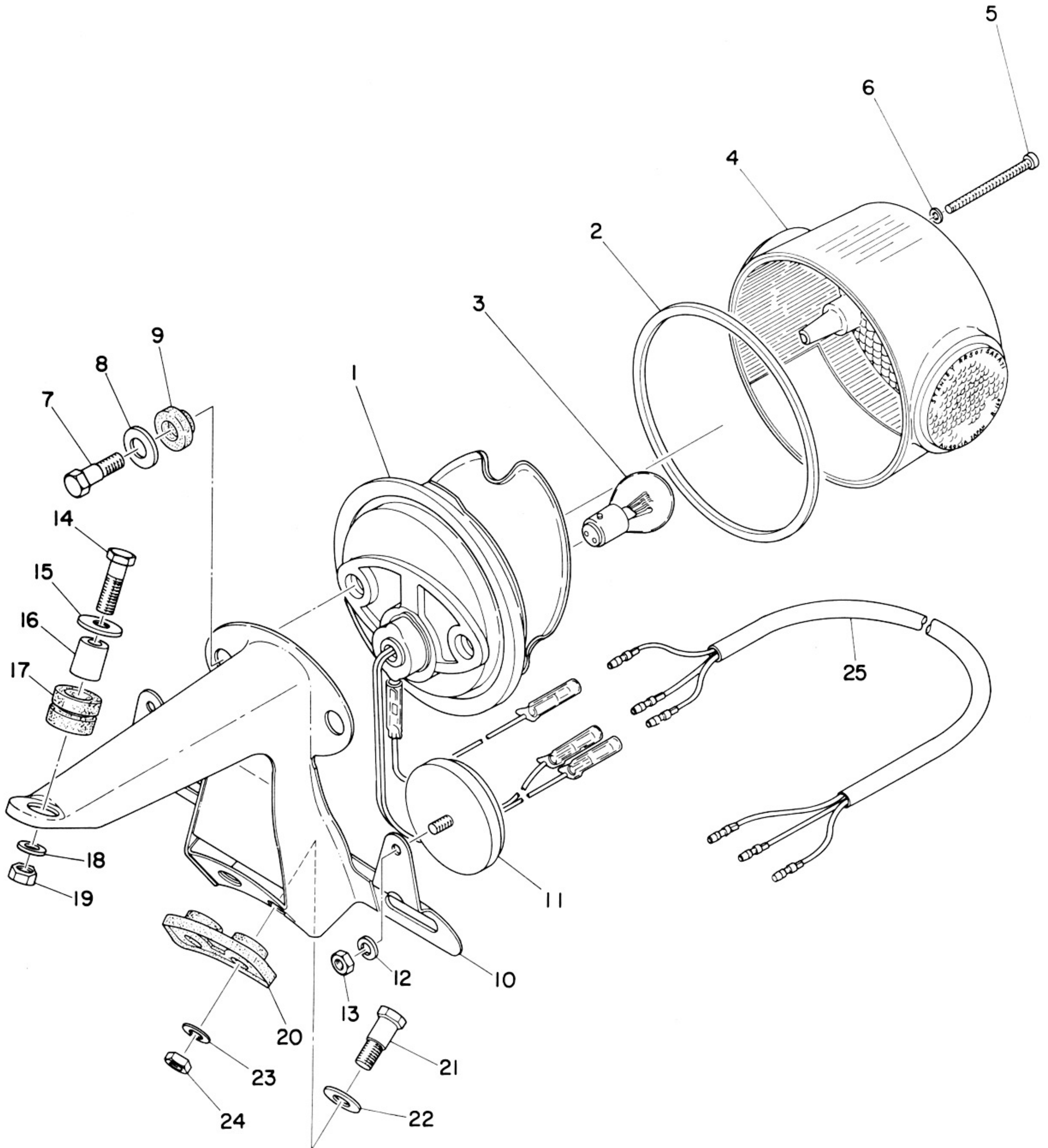


 FWD

## SPEEDOMETER · TACHOMETER

Ref. No.	Parts No.	Description	Q'ty	Applicable Machine No.	Remarks
29- 1	396-83510-20	SPEEDOMETER ASS'Y .....	1		KM/H
	396-83510-40	SPEEDOMETER ASS'Y .....	1		MPH
29- 2	123-83516-20	. BULB (12V-3W) .....	1		
29- 3	235-83536-21	. SOCKET, meter .....	1		
29- 4	396-83540-00	TACHOMETER ASS'Y .....	1		
29- 5	123-83516-20	. BULB (12V-3W) .....	3		
29- 6	253-83520-01	. SOCKET ASS'Y .....	1		
29- 7	337-83519-00-33	BRACKET, meter .....	1		
29- 8	214-83523-00	DAMPER .....	1		
29- 9	237-83523-00	DAMPER .....	1		
29-10	214-83524-00	WASHER, special .....	4		
29-11	156-83525-00	CLIP .....	4		
29-12	252-83550-00	SPEEDOMETER CABLE ASS'Y	1		
29-13	396-83560-00	TACHOMETER CABLE ASS'Y	1		
29-14	91201-08015	BOLT .....	2		
29-15	92901-08100	WASHER, spring .....	2		

Fig. 30 TAIL LAMP

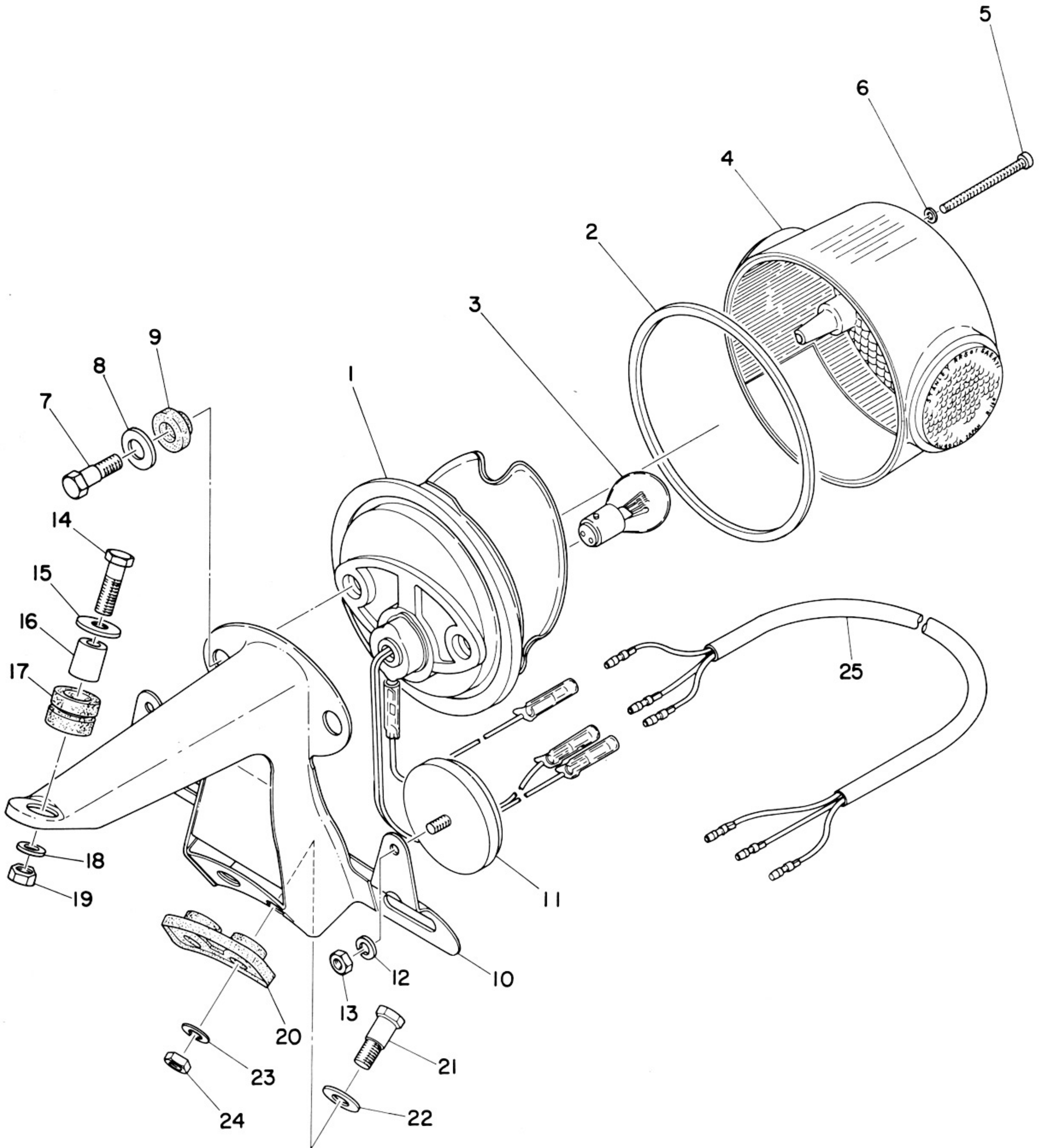




## TAIL LAMP

Ref. No.	Parts No.	Description	Q'ty	Applicable Machine No.	Remarks
30- 0-1	341-84710-00	TAIL LAMP UNIT ASS'Y	.... 1		
30- 1	306-84711-60	. BASE, tail lamp	..... 1		
30- 2	275-84723-60	. GASKET, tail lens	..... 1		
30- 3	137-84714-61	. BULB, tail lamp (12V-23/8W)	1		
30- 4	341-84721-00	. LENS, tail lamp	..... 1		
30- 5	341-84724-60	. SCREW, lens fitting	..... 3		
30- 6	341-84722-60	. PACKING	..... 3		
30- 7	275-84526-60	SCREW	..... 2		
30- 8	275-84525-60	WASHER, special	..... 2		
30- 9	275-84527-60	DAMPER	..... 2		
30-10	341-84751-61-35	BRACKET, licence	..... 1		Silver
30-11	341-85111-60	REFLECTOR	..... 2		
30-12	92903-05100	WASHER, spring	..... 2		
30-13	98803-05100	NUT	..... 2		
30-14	91203-06025	BOLT	..... 1		
30-15	102-28323-00	WASHER, leg shield	..... 1		
30-16	214-21633-00	COLLAR, fender mount	..... 1		
30-17	214-21717-00	DAMPER, battery box	..... 1		
30-18	92901-06100	WASHER, spring	..... 1		
30-19	98801-06100	NUT	..... 1		
30-20	214-84553-01	DAMPER	..... 1		
30-21	168-21738-00	BOLT A	..... 2		
30-22	92901-08200	WASHER, plain	..... 2		

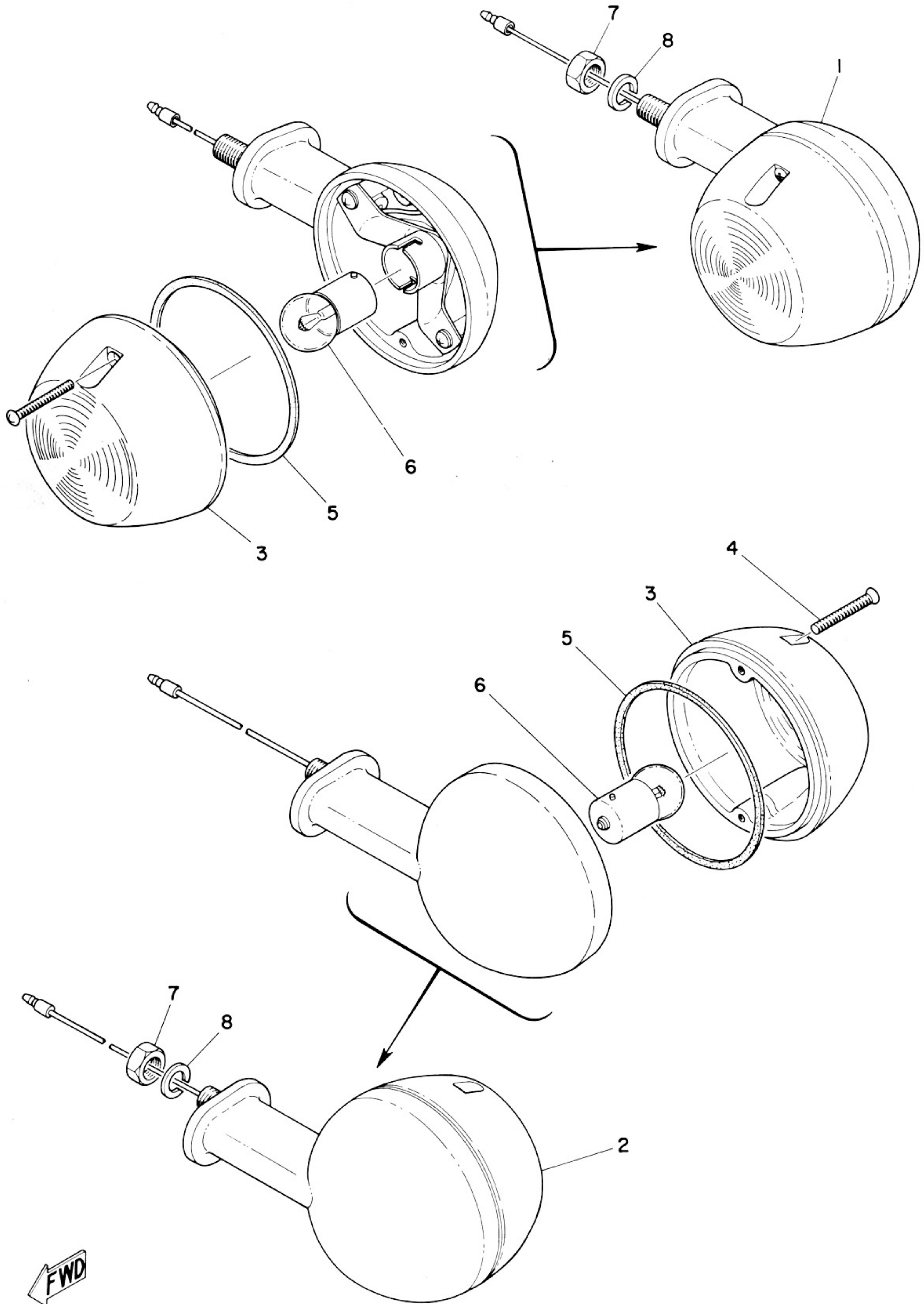
Fig. 30 TAIL LAMP



# TAIL LAMP

Ref. No.	Parts No.	Description	Q'ty	Applicable Machine No.	Remarks
30-23	92901-06100	WASHER, spring .....	2		
30-24	98801-06100	NUT .....	2		
30-25	214-84517-00	CORD, tail lamp .....	1		

Fig. 31 FLASHER LAMP

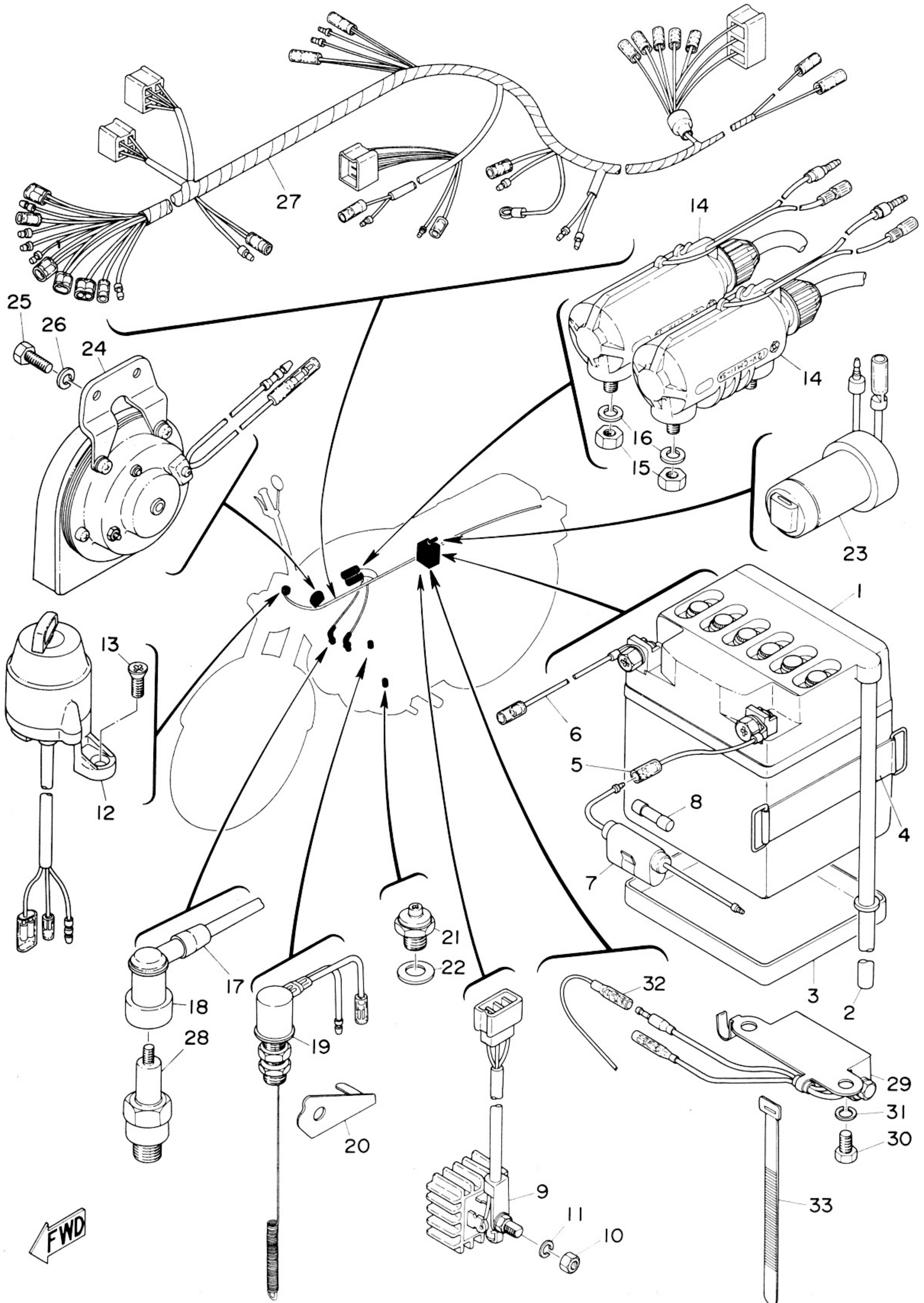


 FWD

# FLASHER LAMP

Ref. No.	Parts No.	Description	Q'ty	Applicable Machine No.	Remarks
31- 1	254-83310-46-93	FRONT FLASHER LAMP ASS'Y	2		
31- 2	307-83330-20-93	REAR FLASHER LAMP ASS'Y	2		
31- 3	183-83332-20	. LENS, flasher .....	4		
31- 4	183-83333-21	. SCREW, lens fitting .....	8		
31- 5	183-83313-20	. GASKET, flasher lens ....	4		
31- 6	136-83311-20	. BULB, flasher (12V-8W) ...	4		
31- 7	98801-08100	NUT .....	4		
31- 8	92901-08100	WASHER, spring .....	4		

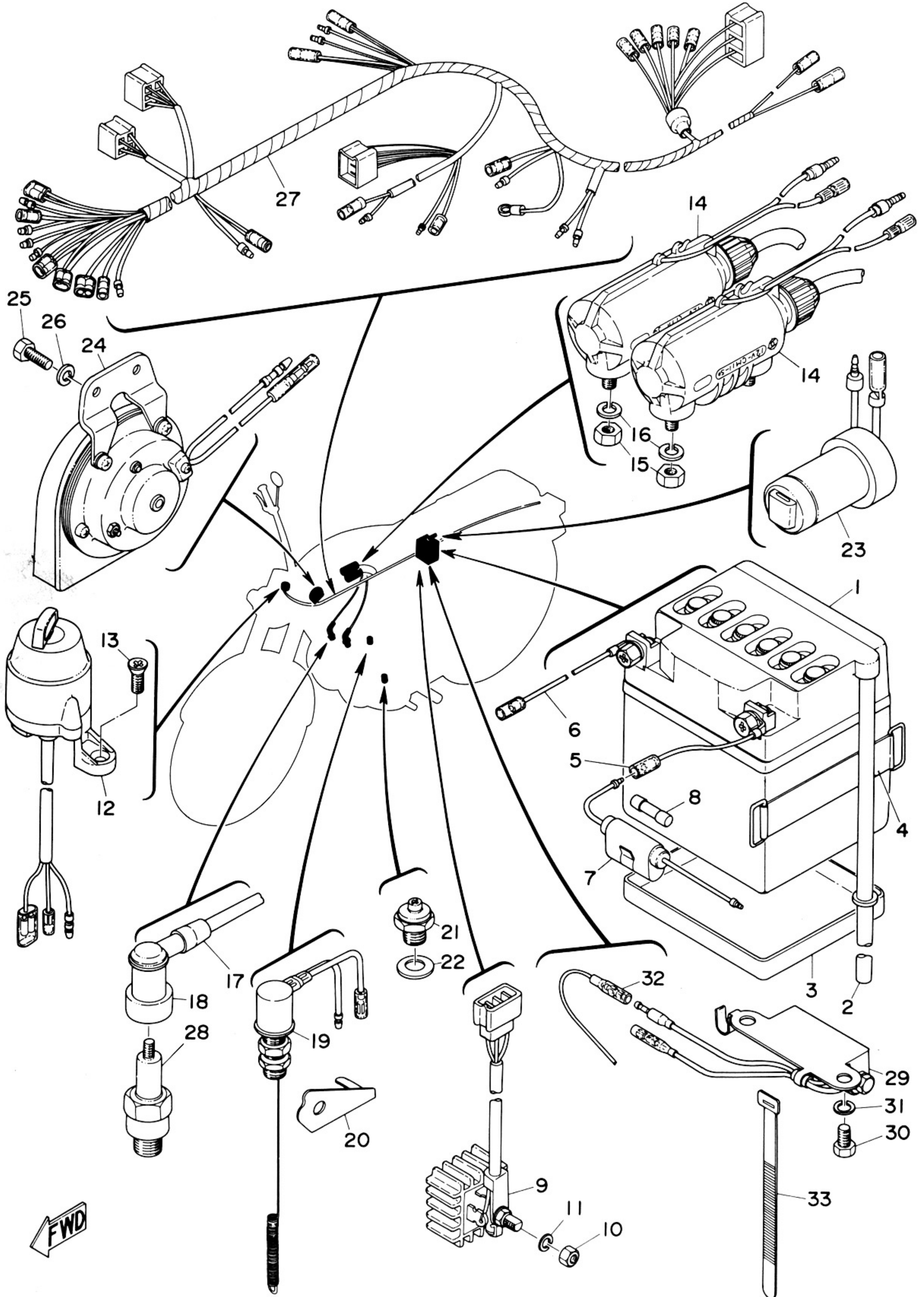
Fig. 32 ELECTRICAL



# ELECTRICAL

Ref. No.	Parts No.	Description	Q'ty	Applicable Machine No.	Remarks
32- 1	118-82110-71	BATTERY ASS'Y .....	1		
32- 2	170-82112-00	PIPE, breather (5-460) .....	1		
32- 3	118-82122-00	SEAT, battery .....	1		
32- 4	120-82131-00	BAND, battery .....	1		
32- 5	307-82115-01	WIRE, plus lead .....	1		
32- 6	307-82116-00	WIRE, minus lead .....	1		
32- 7	164-82150-00	FUSE HOLDER ASS'Y .....	1		
32- 8	148-82151-00	. FUSE .....	2		
32- 9	357-81970-60	RECTIFIER ASS'Y .....	1		
32-10	98801-05200	NUT .....	1		
32-11	92901-05100	WASHER, spring .....	1		
32-12	396-82508-30	MAIN SWITCH ASS'Y .....	1		
32-13	98701-05015	SCREW, flathead .....	2		
32-14	254-82310-60	IGNITION COIL ASS'Y .....	2		
32-15	98801-06100	NUT .....	4		
32-16	92901-06100	WASHER, spring .....	4		
32-17	183-82341-00	CORD, hitension .....	2		
32-18	166-82370-20	PLUG CAP ASS'Y .....	1		
32-19	307-82530-00	STOP SWITCH ASS'Y .....	1		
32-20	307-82539-00-33	STAY, stop switch .....	1		
32-21	136-82540-00	NEUTRAL SWITCH ASS'Y .....	1		
32-22	136-82543-00	GASKET .....	1		
32-23	183-83350-21	FLASHER RELAY ASS'Y .....	1		

Fig. 32 ELECTRICAL





# ELECTRICAL

Ref. No.	Parts No.	Description	Q'ty	Applicable Machine No.	Remarks
32-24	183-83371-20	HORN .....	1		
32-25	91101-06015	BOLT .....	2		
32-26	92901-06100	WASHER, spring .....	2		
32-27	396-82590-30	WIRE HARNESS ASS'Y .....	1		
32-28	94701-00040	PLUG, spark (B-7HS) .....	2		
32-29	327-81911-10	RESISTOR .....	1		
32-30	91201-06010	BOLT .....	2		
32-31	92901-06100	WASHER, spring .....	2		
32-32	389-81971-00	WIRE, reed .....	1		
32-33	341-26397-01	BAND .....	1		





# NUMERICAL INDEX





# NUMERICAL INDEX

Ref No.	Parts No.	Ref No.	Parts No.	Ref No.	Parts No.
23-10	101-24356-00	13- 1	126-13116-00	6-16	132-18143-00
24- 7	101-24356-00	5-23	131-15643-00	6-15	132-18177-00
5-30	102-17462-00	5-22	131-15653-00	23- 8	132-24312-00
5-32	102-17463-00	4- 4	131-16154-00	23-20	132-24518-00
5-33	102-17464-00	3- 2	132-11422-03	23-21	132-24525-00
17- 9	102-22243-00	3- 3	132-11432-03	27-13	132-25364-00
26-25	102-25137-00	3-12	132-11511-02	18-18	132-27414-00
27-44	102-25375-00	3-17	132-11515-01	18-20	132-27416-00
27-25	102-25412-00	3- 9	132-11561-00-03	18-19	132-27417-00
12-15	102-27114-00	3-29	132-11634-00	18-17	132-27422-00
30-15	102-28323-00	3- 8	132-11685-00	17-10	135-22243-00
26-22	109-25136-00	13- 6	132-13178-01	3-18	136-11561-00-03
26- 8	109-25315-00	12- 4	132-14613-00	3-18	136-11561-00-04
27-41	109-25373-00	12-13	132-14713-00	3-18	136-11561-00-05
26-40	109-26344-00	12-14	132-14714-01	3-18	136-11561-00-06
14- 9	110-81345-20	1-14	132-15351-00	3-18	136-11561-00-07
15- 7	116-21483-00	1-15	132-15353-00	3-18	136-11561-00-08
8-15	117-15644-00	4-16	132-15631-00	21- 6	136-23415-00
32- 1	118-82110-71	8-13	132-15664-00	27- 7	136-25317-00
32- 3	118-82122-00	8-12	132-15665-00	32-21	136-82540-00
1-24	120-15371-00	8-11	132-15676-00	32-22	136-82543-00
32- 4	120-82131-00	5-10	132-15389-00	31- 6	136-83311-20
1-16	122-11361-00	4-10	132-16333-00	13-15	137-13128-00
3- 7	122-11681-00	2- 9	132-16345-00	13-11	137-13138-01
4-17	122-16164-00	2-10	132-16346-00	13-10	137-13147-00
20-24	122-23119-01	4- 9	132-16351-00	13-27	137-13165-00
20-25	122-23129-00	4- 2	132-16369-00	13-26	137-13167-00
20-22	122-23346-01	4- 5	132-16371-02	13- 4	137-13176-00
21-25	122-23480-00	5- 3	132-17216-00	13-23	137-13187-00
21-26	122-23483-00	5-19	132-17216-00	6-23	137-15353-00
23- 6	122-24181-00	5- 4	132-17414-00	4- 6	137-16324-00
23- 2	122-24610-01	5-18	132-17414-00	4-11	137-16337-01
18- 2	122-27112-00	7-10	132-18113-01	4-14	137-16356-00
18- 7	122-27116-00	7- 2	132-18123-00	4-13	137-16377-00
18-24	122-27317-01	7- 3	132-18124-00	21- 7	137-23454-00
29- 2	123-83516-20	7- 4	132-18133-00	23-17	137-24513-00
29- 5	123-83516-20	7- 7	132-18137-00	23-18	137-24523-00
1-22	126-11171-60	6-14	132-18140-00	27-36	137-25385-00

# NUMERICAL INDEX

Ref No.	Parts No.	Ref No.	Parts No.	Ref No.	Parts No.
22-24	137-26243-60	30-21	168-21738-00	2- 3	183-15448-00
30- 3	137-84714-61	23-11	168-24500-01	5-24	183-15651-00
7-16	141-18139-00	23-14	168-24515-00	3-23	183-16136-00
21-15	141-23427-00	23-12	168-24521-00	4-15	183-16181-00
3-32	146-11545-00	23-13	168-24522-00	6- 0-1	183-18500-02
32- 8	148-82151-00	23-19	168-24524-00	6- 2	183-18511-00
18-26	150-27316-00	27-38	168-25379-00	6- 6	183-18512-00
26-34	152-25163-00	22-34	168-26344-00	6- 7	183-18513-00
26-37	152-25165-00	24-11	168-82112-00	6- 1	183-18541-02
19-12	152-84518-00	22-37	168-83936-01	7-11	183-22142-10
8- 2	156-15618-01	32- 2	170-82112-00	17-15	183-22316-01
21- 1	156-23411-00	17- 5	173-22151-00	17-13	183-22331-01
21- 2	156-23412-00	13- 2	174-13175-00	17-14	183-22332-01
21-16	156-23418-00	5-31	174-17461-30	20-18	183-23112-00
22-32	156-26346-00	5-31	174-17461-40	20-21	183-23318-00
18-13	156-27237-00	5-31	174-17461-50	21- 4	183-23411-00
21-22	156-83525-00	5-31	174-17461-60	21- 3	183-23412-00
29-11	156-83525-00	6- 9	174-18544-00	21-19	183-23422-00
3-25	164-16119-00	6-22	174-18558-00	24- 6	183-24369-00
4-12	164-16119-00	6-24	174-18578-00	26- 7	183-25117-00
5-25	164-17417-00-10	19- 4	174-21518-00-93	26-31	183-25118-00
5- 8	164-17427-00-08	21-18	174-23421-00	26-21	183-25146-00
5- 8	164-17427-00-10	21-20	174-23425-00	26-12	183-25147-00
5- 8	164-17427-00-12	21-12	174-23443-00	26-14	183-25149-00
6- 4	164-18551-00	21-21	174-23453-00	17- 4	183-25182-00
6- 3	164-18552-00	23- 9	174-24312-00	26-30	183-25183-00
6-11	164-18561-00	25-17	174-24741-00	27- 2	183-25304-00
6-18	164-18571-00	16- 7	174-28316-00	27- 1	183-25311-00
6-17	164-18572-00	8-16	180-15641-00	27- 8	183-25315-00
17- 6	164-22216-00	8-18	180-15660-00	27-14	183-25321-00
17-11	164-22241-00	8-17	180-15687-00	27-16	183-25330-01
20- 6	164-23125-00	18-12	180-27236-00	26-17	183-25333-00
20- 7	164-23147-00	1-20	183-11181-00	27-17	183-25333-00
20-13	164-23163-00	3- 1	183-11412-02	26-19	183-25351-00
21- 9	164-23441-00	3-14	183-11512-00	27-15	183-25351-00
32- 7	164-82150-00	3-28	183-11633-00	27-22	183-25366-01
14- 4	165-81145-21	3- 5	183-11651-00	27-45	183-25378-00
32-18	166-82370-20	2- 2	183-15418-01	27-30	183-25383-00

# NUMERICAL INDEX

Ref No.	Parts No.	Ref No.	Parts No.	Ref No.	Parts No.
27-34	183-25386-00	27-35	214-25388-00	2-18	252-15451-00
27-21	183-25387-00	22- 0-1	214-82910-02	20-14	252-23116-00
27-23	183-25437-10	22- 4	214-82911-01	20-15	252-23121-00-63
27-23	183-25437-10	22- 5	214-83912-00	20-15	252-23121-00-71
27-23	183-25438-10	22- 7	214-83913-00	20-15	252-23121-00-F4
27-23	183-25439-10	22-15	214-83913-00	20- 5	252-23124-00
22- 1	183-26111-00	29- 8	214-83523-00	20-16	252-23131-00-63
22- 1	183-26111-10	29-10	214-83524-00	20-16	252-23131-00-71
18- 5	183-27216-00	28- 2	214-84153-60	20-16	252-23131-00-F4
		30-25	214-84517-00	20-10	252-23144-00
14- 3	183-81421-10	30-20	214-84553-01	20- 4	252-23149-00
14- 7	183-81425-10	22-19	232-83980-30	29-12	252-83550-00
14- 8	183-81431-10	22- 0-2	233-82920-32	28- 0-1	252-84310-00
14-10	183-81432-10	22-10	233-82921-31	28- 7	252-84312-00
14-11	183-81451-12	22-14	233-83915-01	29- 6	253-83520-01
32-17	183-82341-00	22-11	233-83922-30	32-14	254-82310-60
31- 5	183-83313-20	22- 2	235-26241-10	31- 1	254-83310-46-93
31- 3	183-83332-20	29- 3	235-83536-21	28- 0-2	256-84301-61
31- 4	183-83333-21	9- 1	237-17861-00	28-10	256-84347-00
32-23	183-83350-21	28- 3	237-84315-00	28-11	256-84350-61
32-24	183-83371-20	28- 4	237-84320-00	28- 9	256-84357-61
28- 6	183-84314-60	28- 1	237-84330-60-63	30- 8	275-84525-60
28- 5	195-84324-00	28- 1	237-84330-60-71	30- 7	275-84526-60
28- 8	195-84325-00	28- 1	237-84330-60-F4	30- 9	275-84527-60
18-14	206-27238-00	29- 9	237-83523-00	30- 2	275-84723-60
27-24	207-25411-00	1-26	241-15357-00	25-15	276-24748-00-33
13-20	214-13162-00	2- 6	241-16341-01	13-18	278-13169-00
13-21	214-13164-00	2- 8	241-16342-00	13-24	278-13161-00
9- 6	214-17811-01	4-21	241-16343-00	10-13	278-14455-00
9-10	214-17812-00	12- 5	246-14651-00	8- 1	278-15611-00-93
9- 9	214-17815-00	21-13	246-23428-00	8- 7	278-15613-00
9-13	214-17843-00	13-25	248-13161-01	8- 3	278-15622-00
9- 8	214-17847-00	1-25	248-15373-00	25-14	278-24728-00-33
30-16	214-21633-00	5-27	248-17429-00	11-30	288-14124-00
30-17	214-21717-00	9- 2	248-17831-01	11-29	288-14161-00
24- 3	214-21771-00	9- 3	248-17837-00	13-28	293-13175-00
24- 4	214-21772-00	9- 4	248-17841-00	22-25	306-26242-10
27-37	214-25182-01	27-29	248-25388-00	30- 1	306-84711-60

# NUMERICAL INDEX

Ref No.	Parts No.	Ref No.	Parts No.	Ref No.	Parts No.
3-15	307-11541-00	20-20	307-23340-00-33	32-20	307-82539-00-33
12- 3	307-14612-00	21-17	307-23419-00	31- 2	307-83330-20-93
12-10	307-14753-00	21- 8	307-23435-00-98	22- 3	307-83972-20
2-24	307-15363-00	23- 7	307-24182-00	13- 0-1	326-13101-00
4- 1	307-16150-00	24- 5	307-24319-00	7-15	326-18115-00-93
4- 0-1	307-16301-00	25-16	307-24768-00	22-38	326-26328-00
4- 8	307-16321-00	26- 2	307-25104-00	26-39	326-26345-00
4-19	307-16357-00	26- 1	307-25111-00	32-29	327-81911-10
4- 7	307-16367-00	26-11	307-25121-00	8- 5	337-15621-00
5- 6	307-17131-00	26-16	307-25130-00	23- 3	337-24161-10
5-15	307-17221-00	26-13	307-25135-00	23- 4	337-24162-10
5-12	307-17471-00	26-20	307-25138-00	29- 7	337-83519-00-33
7- 1	307-18101-01	26-26	307-25155-00	32-33	341-26397-01
7- 9	307-18111-00-93	26-27	307-25156-00	30- 0-1	341-84710-00
7-17	307-18112-00-93	26-36	307-25161-00	30- 4	341-84721-00
7-14	307-18118-00	27-18	307-25355-00	30- 6	341-84722-60
2- 4	307-18188-00	27-40	307-25371-00	30- 5	341-84724-60
6-20	307-18533-00	22- 1	307-26111-20	30-10	341-84751-61-35
		22-35	307-26278-00	20-28	341-85111-00
16-17	307-21175-00	22-20	307-26281-00	30-11	341-85111-60
15- 2	307-21315-00-33	22-21	307-26282-00	3-33	353-11546-00
19- 1	307-21510-00-93	18- 1	307-27111-00	13-19	353-13552-00
19- 7	307-21610-00-93	18- 6	307-27115-00	3-26	353-16144-00
17- 1	307-22110-00-33	18- 3	307-27211-10-93	25- 9	353-24718-01
17- 2	307-22123-00	18- 8	307-27231-00	25-11	353-24727-00
17- 3	307-22141-00	18-23	307-27311-20	25-12	353-24758-00
17- 7	307-22210-00-63	18-22	307-27413-00	25-10	353-24776-00-33
17- 7	307-22210-00-71	17-18	307-27431-00	32- 9	357-81970-60
17- 7	307-22210-00-F4	17-19	307-27433-00	24- 2	360-21761-00
17-12	307-22311-00-93	17-20	307-27437-00	16- 9	360-21787-00
20-19	307-23111-00	14- 0-1	307-81400-10	24-15	360-21787-00
20-17	307-23114-00	14- 2	307-81410-10	16- 6	360-24143-00
20-11	307-23122-00-93	14- 1	307-81450-10	24-13	360-24143-00
20-12	307-23132-00-93	14-12	307-81452-00	22-27	360-26261-00
20- 2	307-23136-00-35	32- 5	307-82115-01	11-31	367-14169-00
20- 3	307-23141-00	32- 6	307-82116-00	11- 1	367-14342-22
20- 9	307-23145-00	16-20	307-82121-00	11-32	367-14348-00
20- 8	307-23150-00	32-19	307-82530-00	26-33	367-25382-00



# NUMERICAL INDEX

Ref No.	Parts No.	Ref No.	Parts No.	Ref No.	Parts No.
11- 6	367-14385-00	1- 1	389-15111-00	11- 2	396-14341-00
11- 7	367-14386-00	1- 5	389-15118-00	11- 3	396-14343-33
11- 5	367-14392-00	1- 2	389-15121-00	11- 4	396-14390-16
26-32	382-25181-00	1- 4	389-15128-00	10- 1	396-14411-01
27-27	382-25381-00	2-14	389-15415-00	10- 2	396-14451-00
22-36	382-26290-30	2-22	389-15416-00	10-14	396-14456-00
22-36	382-26290-40	2-26	389-15425-00	12- 1	396-14611-00
3- 0-1	389-11400-00	2-25	389-15426-00	12- 2	396-14621-00
3- 4	389-11442-00	3-24	389-16111-00	12- 8	396-14710-01
10-21	389-13555-00	5- 7	389-17121-01	12- 9	396-14720-01
10-15	389-13610-01	5- 5	389-17141-00	2- 1	396-15410-00
10-16	389-13613-00	5- 2	389-17151-00	2-13	396-15417-00
10-17	389-13616-01	5-21	389-17211-00	2-17	396-15421-00
10-20	389-13621-00	5-16	389-17231-01	15- 1	396-21110-00-33
10-22	389-13622-00	5-17	389-17241-00	15- 9	396-21165-00-33
11-27	389-14126-00	5-20	389-17251-00	16-12	396-21170-00-33
11-25	389-14136-00	5- 1	389-17411-02	24- 1	396-21705-01-63
11-24	389-14137-00	5-14	389-17421-00	24- 1	396-21705-01-71
11-14	389-14138-00	25- 2	389-24726-00-33	24- 1	396-21705-01-F4
11-11	389-14147-00	25- 4	389-24756-00	16- 1	396-21711-01-63
11-28	389-14168-00	32-32	389-81971-00	16- 1	396-21711-01-71
11-18	389-14211-00	1-21	396-11111-00	16- 1	396-21711-01-F4
11-19	389-14212-00	1-18	396-11311-01	16-11	396-21719-00
11-17	389-14261-00	1-19	396-11321-01	16-10	396-21732-00
11-26	389-14331-00	1-17	396-11351-00	24-12	396-21781-01
11-21	389-14333-00	3-30	396-11601-00	16- 5	396-21782-01
11-13	389-14335-00	3-30	396-11601-10	16- 8	396-21786-01
11-34	389-14349-00	3-30	396-11601-20	24-14	396-21786-01
11-12	389-14371-00	3-27	396-11631-00-97	20- 0-1	396-23101-00-00
11-16	389-14373-00	3-27	396-11631-00-98	20- 1	396-23126-00-35
11-15	389-14374-00	3-27	396-11635-00	23- 1	398-24110-10-01
11- 8	389-14381-00-33	3-27	396-11635-00	23- 1	398-24110-10-03
11- 9	389-14384-00	11- 0-1	396-14301-01-33	22-26	396-26311-00
11-33	389-14396-00	11- 0-2	396-14302-01-33	22-26	396-26311-10
10- 3	389-14412-01	11-22	396-14312-25	22-26	396-26311-20
10- 4	389-14422-01	11-22	396-14313-25	22-28	396-26312-00
10-11	389-14453-00	11-20	396-14323-00	22-29	396-26321-00
10-12	389-14463-00	11-23	396-14336-00	22-30	396-26335-00
				22-30	396-26335-10

# NUMERICAL INDEX

Ref No.	Parts No.	Ref No.	Parts No.	Ref No.	Parts No.
22-30	396-26335-20	13-16	91401-12018	10-23	92706-06025
22-31	396-26341-00	7-13	91401-16012	17- 8	92803-10700
22-31	396-26341-10	17-22	91401-16012	10-19	92901-03100
22-31	396-26341-20	18-10	91401-20012	14- 5	92901-04100
18-15	396-27411-01	27-47	91401-20012	14- 6	92901-04200
18-16	396-27412-00	6- 5	91401-25020	6-13	92901-05100
32-12	396-82508-30	26-41	91401-30022	12-12	92901-05100
32-27	396-82590-30	27-28	91401-30028	13-12	92901-05100
29- 1	396-83510-20	17-21	91501-06035	20-29	92901-05100
29- 1	396-83510-40	25- 3	91502-05055	22-23	92901-05100
29- 4	396-83540-00	2- 5	91609-30014	32-11	92901-05100
29-13	396-83560-00	1-12	91801-03014	20-30	92901-05200
22- 3	396-83972-00	2-19	91810-02014	22-17	92901-05200
15-10	397-28100-00	1- 3	91810-05016	7-19	92901-06100
23- 1	398-24110-10-02	9-11	92501-06010	9-12	92901-06100
25- 1	398-24730-00	10- 5	92501-06010	10- 8	92901-06100
25- 1	398-24731-00	25- 5	92501-06010	14-15	92901-06100
22-36	407-26290-60	1- 6	92501-06012	16- 3	92901-06100
22-36	407-26290-60	5-13	92501-06012	16-15	92901-06100
15- 8	803-82591-00	16-18	92501-06012	16-19	92901-06100
22-33	90123-08040	17-16	92501-06012	17-17	92901-06100
21-23	91101-06010	24- 8	92501-06012	19- 6	92901-06100
32-25	91101-06015	16- 2	92501-06015	19- 9	92901-06100
8- 6	91101-06020	23-16	92501-06035	21-24	92901-06100
7-18	91101-06030	1- 7	92501-06055	22-13	92901-06100
19- 8	91101-06050	1- 8	92501-06060	24- 9	92901-06100
32-30	91201-06010	10-10	92501-06070	25- 6	92901-06100
19-11	91201-06012	14-14	92501-06075	25- 8	92901-06100
25- 7	91201-06012	10- 7	92501-06080	30-18	92901-06100
27-19	91201-06025	1- 9	92501-06095	30-23	92901-06100
26-28	91201-06030	1-10	92501-06105	32-16	92901-06100
16-13	91201-06045	1-11	92501-06120	32-26	92901-06100
16-16	91201-06070	2-16	92506-06020	32-31	92901-06100
29-14	91201-08015	2-20	92506-06030	1-23	92901-06200
22- 6	91203-06020	2-11	92506-06035	7-20	92901-06200
22-12	91203-06020	2-23	92506-06035	10- 6	92901-06200
30-14	91203-06025	2-21	92506-06040	10- 9	92901-06200
10-25	91316-08040	2-12	92506-06060	16- 4	92901-06200
22-18	91401-12015				

# NUMERICAL INDEX

Ref No.	Parts No.	Ref No.	Parts No.	Ref No.	Parts No.
18- 9	92901-06200	9- 5	93210-13016	6- 8	93604-22050
18-11	92901-06200	26-24	93210-14104	26- 4	94125-18019
19-10	92901-06200	3-22	93210-18023	27- 3	94127-18064
22- 9	92901-06100	27-12	93210-42101	26- 5	94225-18006
24-10	92901-06200	3-16	93210-48045	27- 4	94227-18009
25-13	92901-06200	27-31	93306-00406	26- 6	94325-18005
12- 6	92901-08100	5-28	93306-30401	27- 6	94327-18007
14-13	92901-08100	27- 9	93306-20201	26- 3	94414-18095
15- 5	92901-08100	27-11	93306-20204	27- 5	94416-18018
18-28	92901-08100	3-10	93306-20517	27-48	94504-28110
19- 3	92901-08100	26- 9	93306-30103	27-49	94604-28001
20-27	92901-08100	5-11	93306-30304	32-28	94701-00040
21-11	92901-08100	3-19	93306-30405	15- 3	97101-08050
29-15	92901-08100	3-31	93310-11281	15- 6	97101-08110
27-43	92901-08100	3- 6	93310-41809	19- 2	97201-08010
31- 8	92901-08100	5- 9	93315-31502	18-27	97201-08020
30-22	92901-08200	4- 3	93341-22302	20-26	97201-08025
13- 7	92901-08400	5-26	93410-15005	21-10	97204-08035
20-23	92901-10100	8-10	93410-15005	23-15	98501-03006
18-21	92901-10200	26-15	93410-20009	23-22	98501-03006
30-12	92903-05100	8-14	93410-25017	23- 5	98501-04008
10-24	92906-06500	27-32	93420-42007	12-11	98501-05008
10-26	92906-08100	6-10	93430-03014	6-12	98501-05012
10-27	92906-08200	26-38	93430-04003	13- 9	98501-05015
13-14	93101-10001	7-12	93430-10016	22-22	98501-05015
13- 5	93101-10002	8- 8	93430-10016	11-10	98506-04010
7- 6	93101-12004	7- 8	93430-10060	2-15	98506-05012
26-10	93102-18008	18- 4	93430-12008	10-18	98512-03007
3-20	93102-20117	6-19	93440-15012	32-13	98701-05015
5-29	93102-28021	3-11	93450-52010	7- 5	98800-08100
3-21	93103-28011	4-18	93501-04004	13-13	98801-05200
26-23	93104-07003	21- 5	93501-04011	32-10	98801-05200
2- 7	93104-11028	6-21	93505-16006	22-16	98801-05500
27-10	93104-22018	13-17	93505-32002	16-14	98801-06100
26-18	93105-47007	8- 4	93507-32009	19- 5	98801-06100
27-33	93106-26005	1-13	93603-14026	26-29	98801-06100
8- 9	93109-15001	13- 3	93603-22028	27-20	98801-06100
9- 7	93210-07100	3-13	93604-18058	30-19	98801-06100

# NUMERICAL INDEX

Ref No.	Parts No.	Ref No.	Parts No.	Ref No.	Parts No.
30-24	98801-06100				
32-15	98801-06100				
4-20	98801-06300				
22- 8	98801-06300				
26-35	98801-06300				
15- 4	98801-08100				
27-46	98801-08100				
31- 7	98801-08100				
27-26	98801-08200				
13- 8	98801-08300				
18-25	98801-08300				
27-39	98801-08300				
27-42	98801-08300				
30-13	98803-05100				
12- 7	98803-08100				
21-14	98803-16200				
13-22	98901-04008				





**YAMA**

**PARTS**



**YAMAHA MOTOR CO., LTD.**

**PRINTED IN JAPAN**

**First edition Jan., 1973**

**(396 00)**