



**YAMA**

**PARTS**



**YAMAHA**

**PARTS LIST**

**MODEL TA125**

NOTICE

ALL PART NUMBERS CONTAINED IN THIS CATALOGUE ARE COMPRISED OF TEN DIGITS. WHEN ORDERING, PLEASE ADD TWO ZEROS TO THE END OF EACH PART NUMBER REQUIRED TO CONVERT THE TEN DIGITS INTO THE NEW TWELVE DIGIT NUMBERS.

**YAMAHA MOTOR CO., LTD.**



**YAMAHA**

**PARTS LIST**

**MODEL TA125**

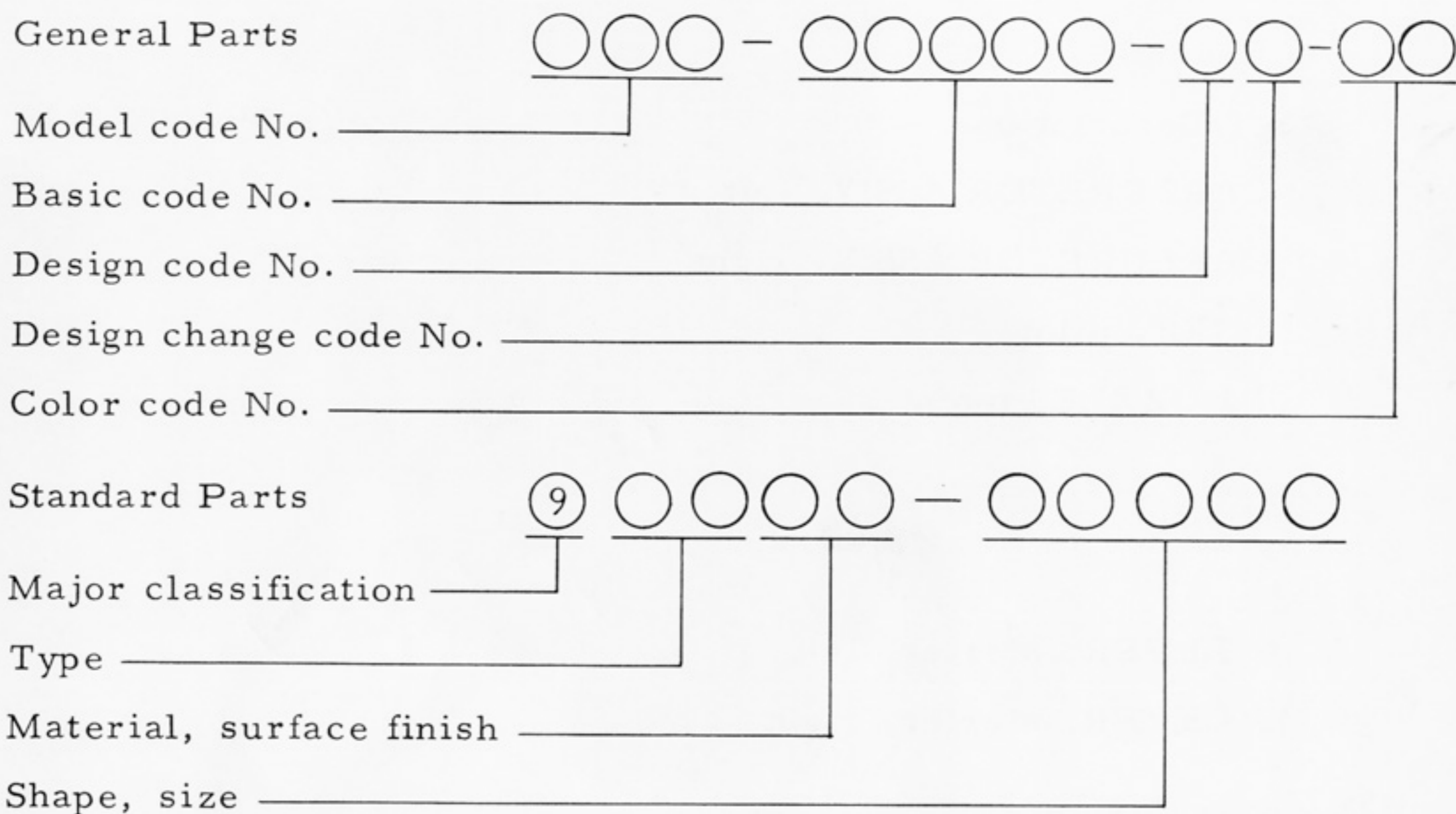


## FOREWORD

This Parts List relates to the parts in use for the Yamaha TA125. When you are ordering replacement parts for the TA125, refer to this Parts List and quote both part numbers and part names correctly.

### 1. Structure of Part No.

Yamaha parts are divided largely into two categories; general parts and standard parts, and each part No. has the following structure:



Note: Every standard No. begins with 9.

### 2. How to Use this Parts List

(1) Except for steel balls (whose size is indicated in inches), the size of all parts is indicated in millimeters in the following manner.

- Pipe (rubber or vinyl) . . . . Inside diameter - length
- O-ring . . . . . Section area - inside diameter
- Washer, shim, collar . . . . Inside diameter - outside diameter - thickness (length)

(2) Parts, which are to be supplied in the form of assemblies, are listed with an indentation of one letter's space, and a dot (.) is put



# YAMAHA

## PARTS

at the name of each part. If any two different assemblies (e.g., right and left side components) consist of almost the same type components, these two assemblies are listed in two lines, and then the names of component parts are listed in the subsequent lines with an indention as mentioned earlier. The quantity of parts is given in the following manner; that is, in the case of parts being the same in type between the right and left, a total quantity of parts is given. On the other hand, if the right and left side parts are different in type, the quantity of part(s) on each side is given.

t of

### Example

Description	Q'ty
CARBURETOR ASS'Y, left	1
CARBURETOR ASS'Y, right	1
. JET, pilot	2
. NOZZLE, main	2
.	
.	
.	
. LEVER, starter, left	1
. LEVER, starter, right	1

### (3) Key to Symbols

- U.R. .... Use size (thickness) and/or number as required
- T ..... Number of teeth in a gear
- V ..... Voltage for light bulbs
- S ..... "S" type oil seal or "S" type circlip
- SD ..... "SD" type oil seal
- SO ..... "SO" type oil seal
- SW ..... "SW" type oil seal
- E ..... "E" type circlip
- R ..... "R" type circlip
- F/No. .... Frame No. (Applicable machine No.)



- (4) The right and left in relation to parts are determined on the basis of the rider facing toward the front.
- (5) This Parts List is based on the model in the production line on Mar., 10, 1973. Accordingly, if any modifications which have been made to parts will be announced in the Yamaha Parts News. It is advisable that according to the Yamaha Parts News, You will make necessary corrections to the Parts List on hand to keep it up-to dated.



# CONTENTS

## ENGINE

Fig. 1	Crankcase · Cylinder .....	1
Fig. 2	Crankcase Cover .....	5
Fig. 3	Crank · Piston .....	7
Fig. 4	Clutch .....	13
Fig. 5	Transmission .....	15
Fig. 6	Shifter 1 .....	19
Fig. 7	Shifter 2 .....	21
Fig. 8	Tachometer Gear .....	23
Fig. 9	Intake .....	25
Fig. 10	Carburetor .....	27
Fig. 11	Exhaust .....	31
Fig. 12	Oil Pump .....	33
Fig. 13	C.D.I Magneto .....	37

## CHASSIS

Fig. 14	Frame .....	41
Fig. 15	Rear Arm · Rear Cushion .....	43
Fig. 16	Footrest · Brake Pedal .....	45
Fig. 17	Front Fender · Rear Fender .....	47
Fig. 18	Front Fork .....	49
Fig. 19	Steering .....	51
Fig. 20	Handle · Wire .....	53
Fig. 21	Fuel Tank .....	57
Fig. 22	Seat .....	61
Fig. 23	Front Wheel .....	63
Fig. 24	Rear Wheel .....	67
Fig. 25	Tachometer · Electrical .....	73
Fig. 26	Cowling .....	75

## NUMERICAL INDEX



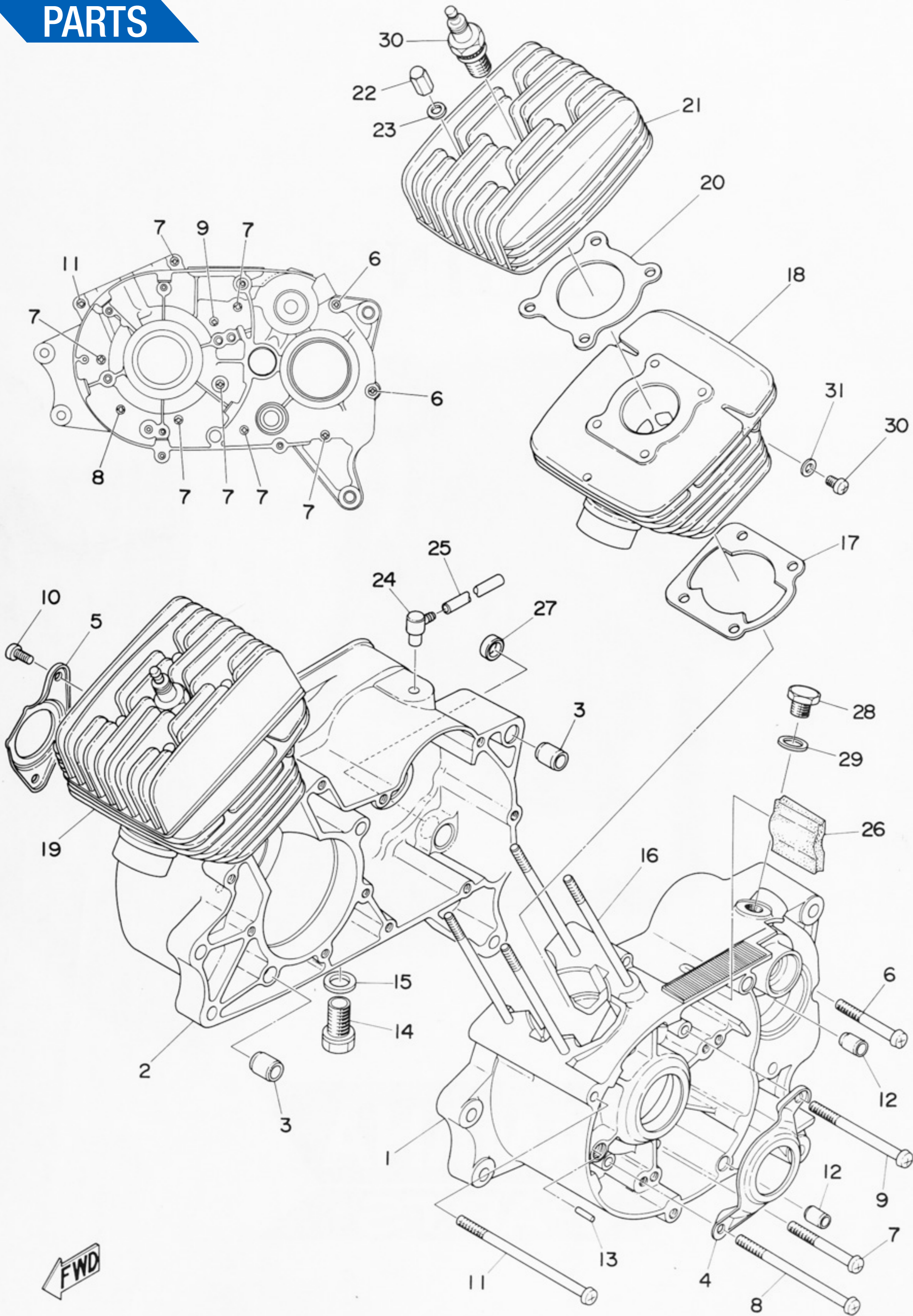




# ENGINE



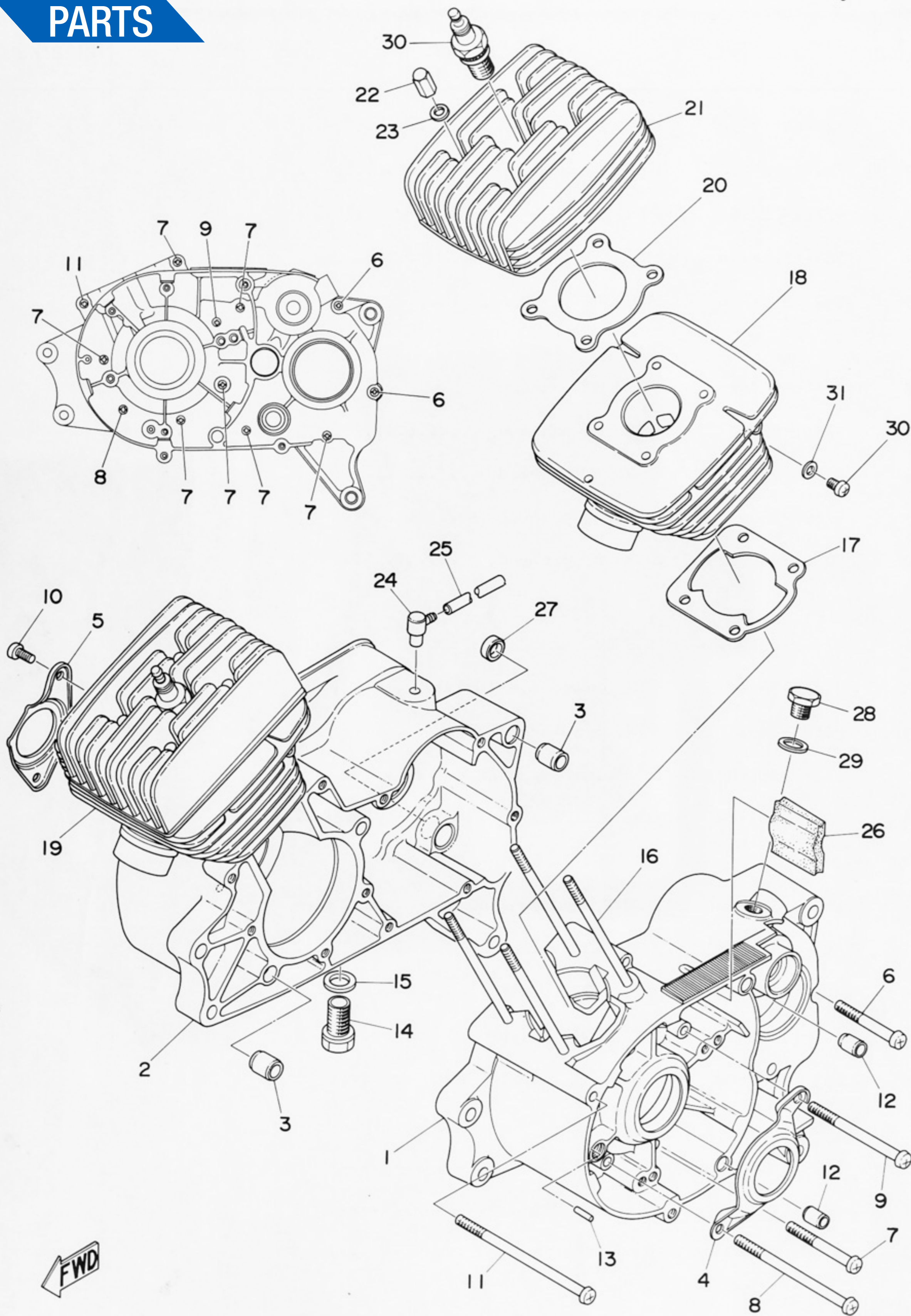
Fig. 1 CRANKCASE · CYLINDER



**YAMAHA****PARTS****CRANKCASE · CYLINDER**

Ref. No.	Parts No.	Description	Q'ty	Applicable Machine No.	Remarks
1- 1	389-15111-00	CASE, crank left .....	1		
1- 2	389-15121-00	CASE, crank right .....	1		
1- 3	91810-05016	PIN, dowel (8.4-12-16) .....	2		
1- 4	389-15128-00	HOLDER .....	1		
1- 5	389-15118-00	HOLDER .....	1		
1- 6	92501-06055	SCREW, panhead .....	2		
1- 7	92501-06060	SCREW, panhead .....	7		
1- 8	92501-06105	SCREW, panhead .....	1		
1- 9	92501-06095	SCREW, panhead .....	1		
1-10	92501-06012	SCREW, panhead .....	2		
1-11	92501-06120	SCREW, panhead .....	1		
1-12	91810-02014	PIN, dowel (6.4-10-14) .....	2		
1-13	93603-14026	PIN, dowel (3-14) .....	1		
1-14	132-15351-00	PLUG, drain .....	1		
1-15	132-15353-00	GASKET, drain plug (12.5-19-1.5)	1		
1-16	109-11361-00	BOLT, cylinder holding .....	8		
1-17	307-11351-00	GASKET, cylinder .....	2		
1-18	307-11311-71	CYLINDER, left .....	1		
1-19	307-11321-71	CYLINDER, right .....	1		
1-20	183-11181-00	GASKET, cylinder head .....	2		
1-21	307-11111-70-94	HEAD, cylinder .....	2		
1-22	126-11171-60	NUT, holding .....	8		
1-23	92901-06200	WASHER, plain .....	8		

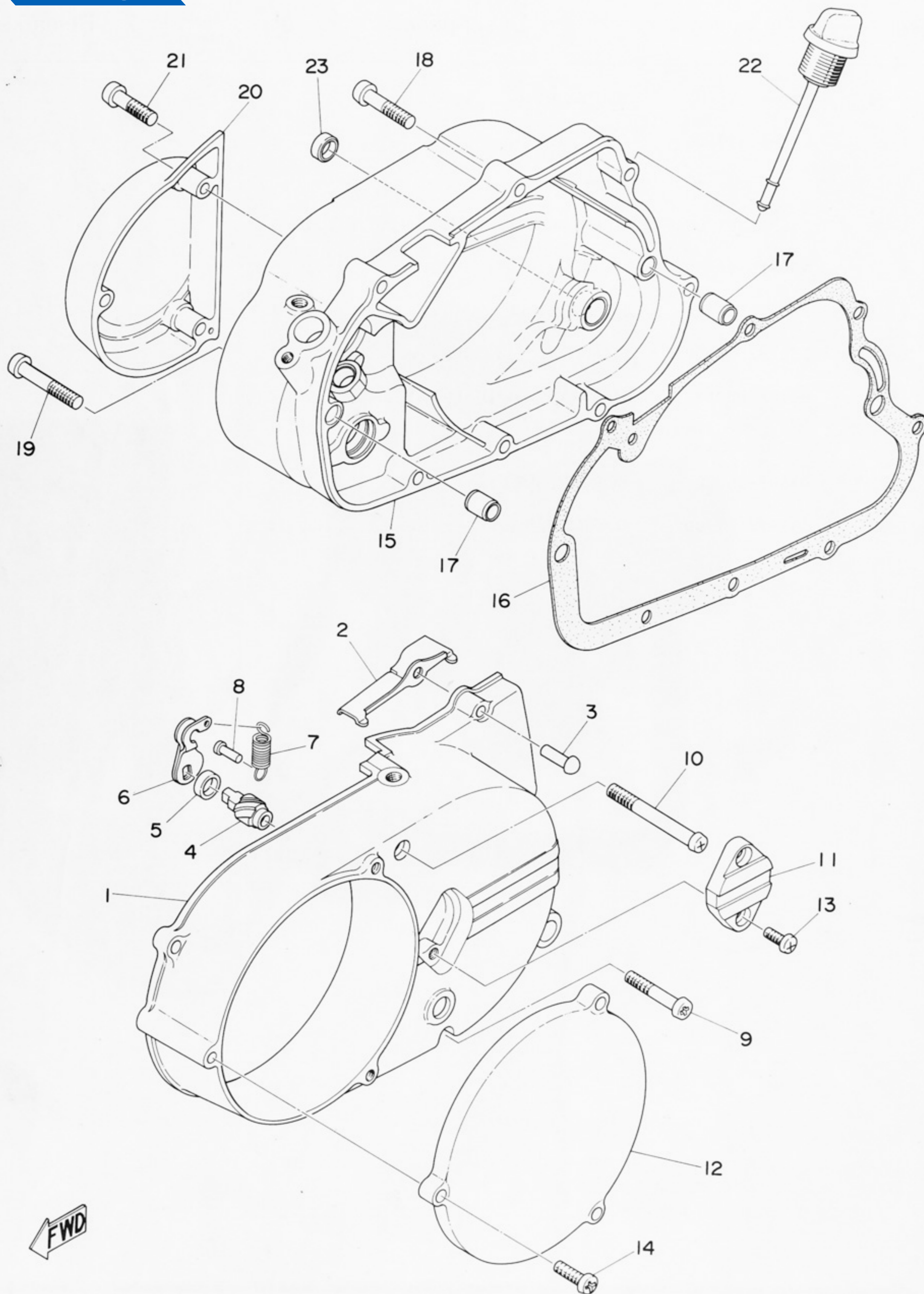
Fig. 1 CRANKCASE · CYLINDER



**YAMAHA****PARTS****CRANKCASE · CYLINDER**

Ref. No.	Parts No.	Description	Q'ty	Applicable Machine No.	Remarks
1-24	120-15371-09	BREATHER .....	1		
1-25	248-15373-00	PIPE, breather .....	1		
1-26	241-15357-00	GROMMET .....	1		
1-27	400-15398-00	PLUG, blind .....	1		
1-28	288-18588-00	PLUG, blind .....	1		
1-29	136-82543-00	GASKET .....	1		
1-30	94701-00017	PLUG, spark (B-10EN) .....	2		
1-31	92501-06008	SCREW, panhead .....	2		
1-32	137-13167-00	GASKET, banjo .....	2		

Fig. 2 CRANKCASE COVER



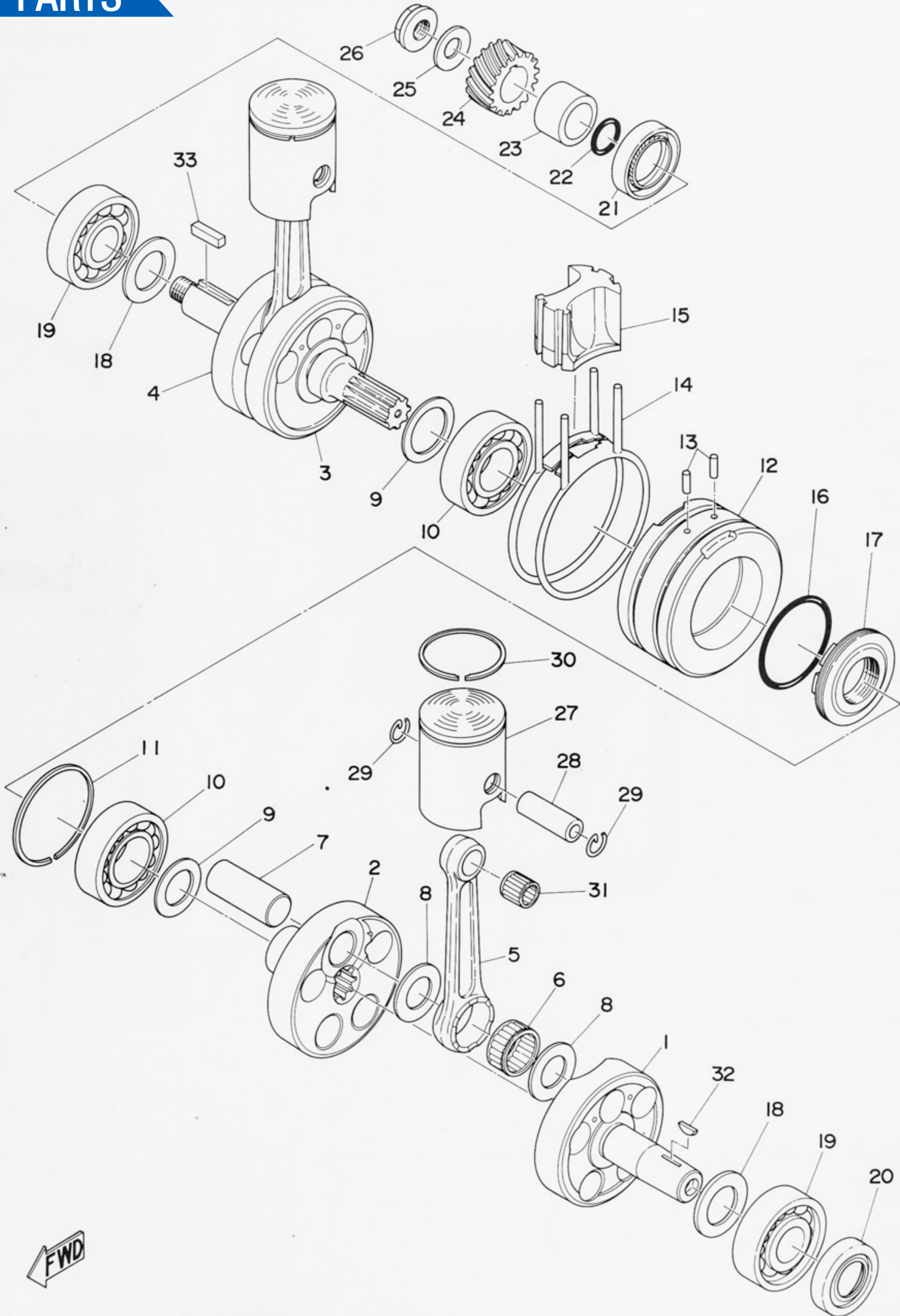
**YAMAHA****PARTS**

# CRANKCASE COVER

Ref. No.	Parts No.	Description	Q'ty	Applicable Machine No.	Remarks
2- 1	307-15410-00	CRANKCASE COVER ASS'Y, left	1		
2- 2	183-15418-01	. COVER, chain case	1		
2- 3	183-15448-00	. RIVET	1		
2- 4	241-16341-01	. SCREW, push	1		
2- 5	93104-11028	. OIL SEAL (S0-10.5-15-3)	1		
2- 6	241-16342-00	. LEVER, push	1		
2- 7	132-16345-00	. SPRING, lever return	1		
2- 8	132-16346-00	. HOOK, spring	1		
2- 9	92501-06035	SCREW, panhead	2		
2-10	92501-06060	SCREW, panhead	1		
2-11	307-15417-00	COVER, cap	1		
2-12	400-15415-00	COVER, generator	1		
2-13	98501-05012	SCREW, panhead	2		
2-14	92501-06020	SCREW, panhead	3		
2-15	307-15421-00	COVER, crankcase right	1		
2-16	252-15451-00	GASKET, crankcase cover right	1		
2-17	91810-02014	PIN, dowel (6.4-10-14)	2		
2-18	92501-06030	SCREW, panhead	7		
2-19	92501-06040	SCREW, panhead	1		
2-20	307-15416-00	COVER, oil pump	1		
2-21	92501-06025	SCREW, panhead	3		
2-22	307-15363-00	PLUG, oil	1		
2-23	336-15439-70	PLUG, blind	1		



Fig. 3 CRANK · PISTON

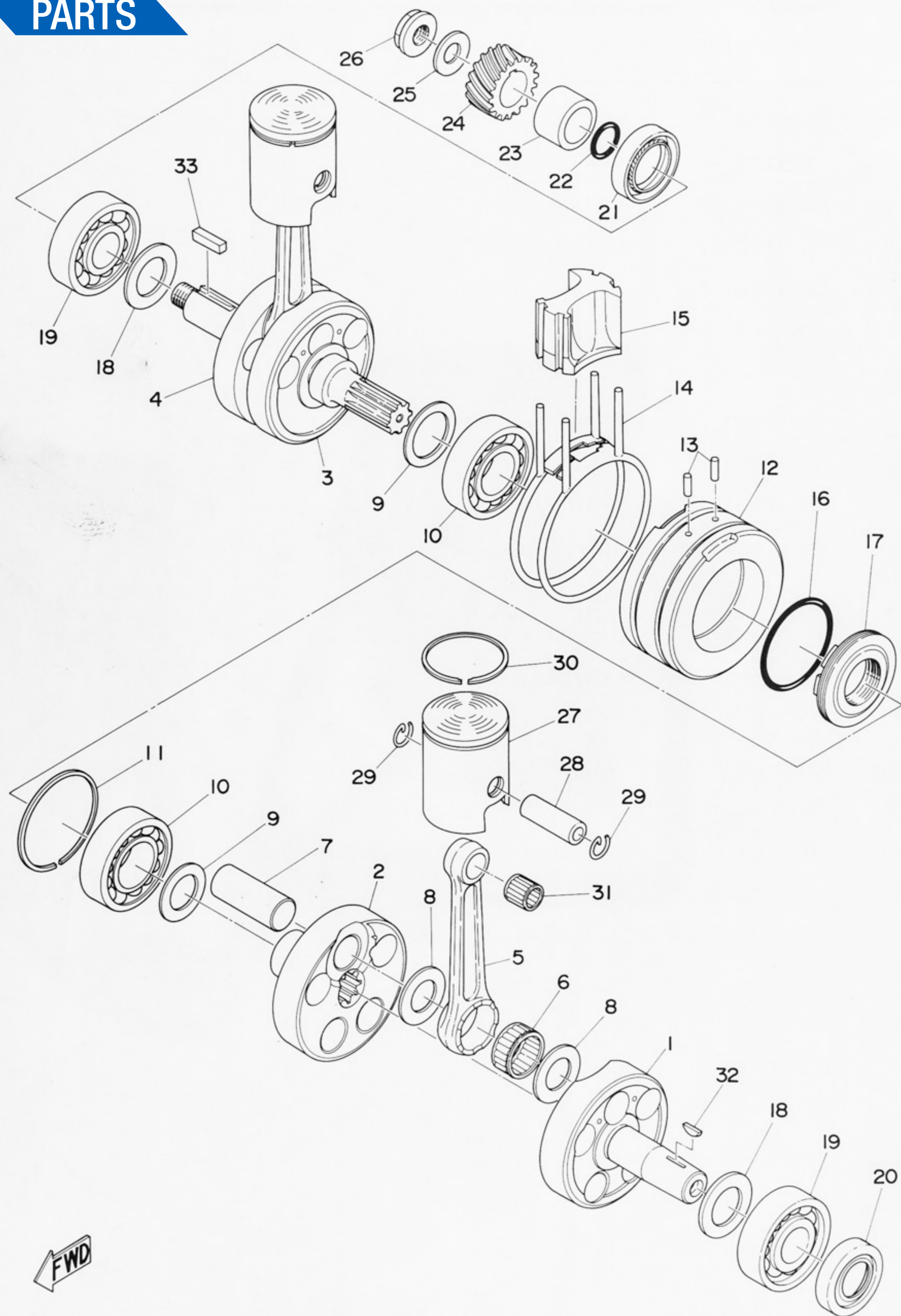


FWD

**YAMAHA****PARTS****CRANK · PISTON**

Ref. No.	Parts No.	Description	Q'ty	Applicable Machine No.	Remarks
3- 0-1	400-11400-00	CRANK ASS'Y .....	1		
3- 1	183-11412-02	. CRANK 1, left .....	1		
3- 2	132-11422-03	. CRANK 1, right .....	1		
3- 3	132-11432-03	. CRANK 2, left .....	1		
3- 4	389-11442-00	. CRANK 2, right .....	1		
3- 5	183-11651-71	. ROD, connecting .....	2		
3- 6	93310-41847	. BEARING, con-rod big end ..	2		
3- 7	122-11681-00	. PIN, crank .....	2		
3- 8	132-11685-00	. WASHER, crank pin .....	4		
3- 9	132-11561-00-03	. SHIM, crank inside (25.5-35-0.3) .....	} U.R 2		
	132-11561-00-05	. SHIM, crank inside (25.5-35-0.5) .....			
3-10	93306-20517	. BEARING (6205C4) .....	2		
3-11	93450-52010	. CIRCLIP (52φ) .....	1		
3-12	132-11511-02	. COVER, crank .....	1		
3-13	93604-18058	. PIN, dowel (4-17.8) .....	2		
3-14	183-11512-00	. SEAL, crank cover .....	2		
3-15	307-11541-00	. METAL, filler .....	1		
3-16	93210-48045	. O-RING (1.8-48) .....	1		
3-17	132-11515-01	. SEAL, labyrinth .....	1		

Fig. 3 CRANK · PISTON





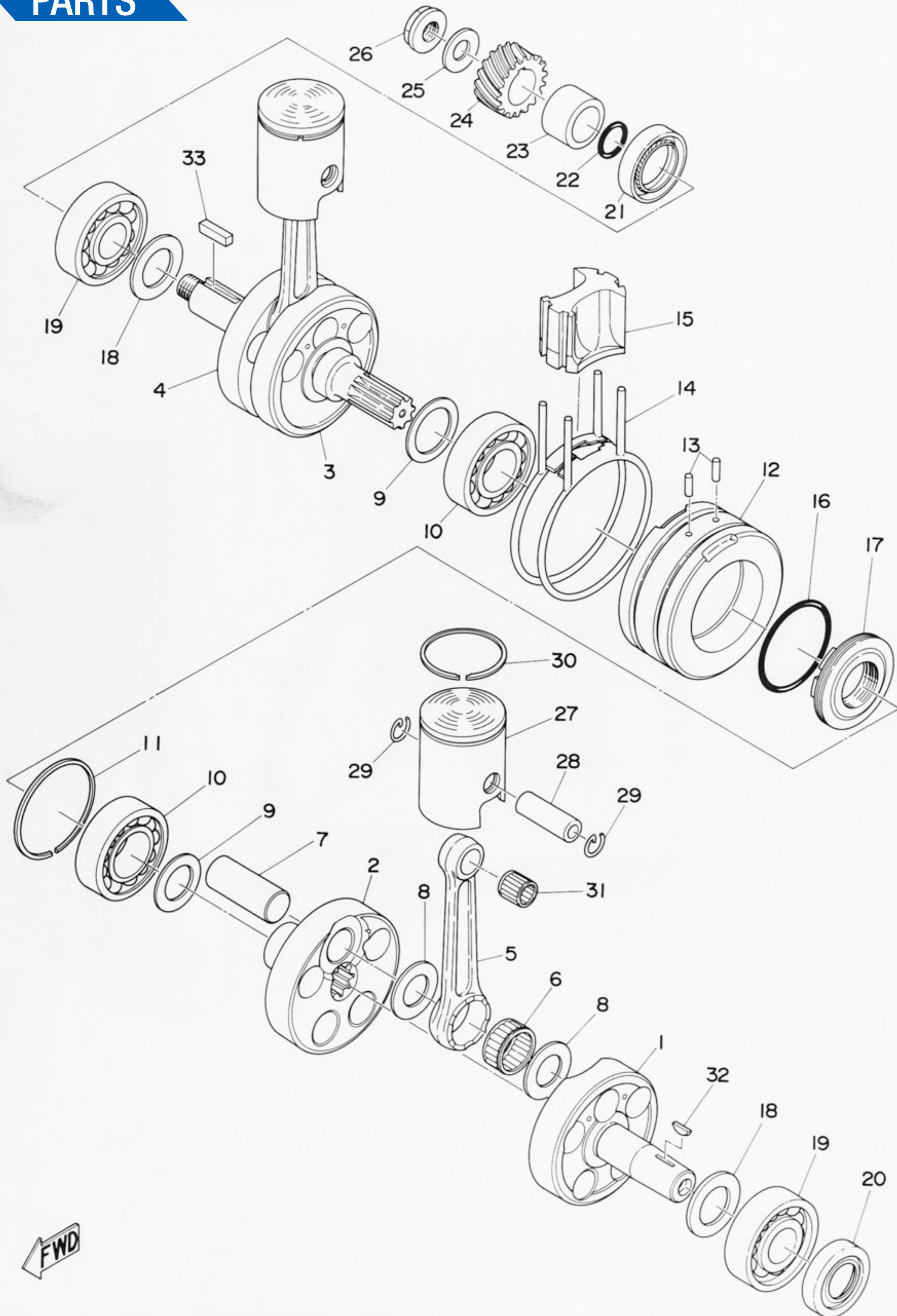
# YAMAHA

## PARTS

### CRANK · PISTON

Ref. No.	Parts No.	Description	Q'ty	Applicable Machine No.	Remarks
3-18	136-11561-00-03	SHIM, crank outside (20.5-30-0.3) .....	} U.R 2		
	136-11561-00-04	SHIM, crank outside (20.5-30-0.4) .....			
	136-11561-00-05	SHIM, crank outside (20.5-30-0.5) .....			
	136-11561-00-06	SHIM, crank outside (20.5-30-0.6) .....			
	136-11561-00-07	SHIM, crank outside (20.5-30-0.7) .....			
	136-11561-00-08	SHIM, crank outside (20.5-30-0.8) .....			
3-19	93306-30405	BEARING (6304C3 special) .....	2		
3-20	93102-20117	OIL SEAL (SD-20-40-8) .....	1		
3-21	93103-28011	OIL SEAL (SW-28-40-8) .....	1		
3-22	93210-18023	O-RING (1.2-17.6) .....	1		
3-23	183-16136-00	COLLAR, distance .....	1		
3-24	389-16111-00	GEAR, primary drive (19T) ....	1		
3-25	164-16119-00	SPRING, Belleville .....	1		
3-26	353-16144-00	NUT, lock .....	1		
3-27	307-11631-70-97	PISTON (42.97mm STD) .....	} U.R 2		
	307-11631-70-98	PISTON (42.98mm STD) .....			
	307-11631-70-99	PISTON (42.99mm STD) .....			
3-28	183-11633-00	PIN, spiston .....	2		
3-29	132-11634-00	CLIP, piston pin .....	4		
3-30	183-11611-70	RING, piston 1 (STD) .....	2		
3-31	93310-11281	BEARING .....	2		

Fig. 3 CRANK · PISTON



FWD



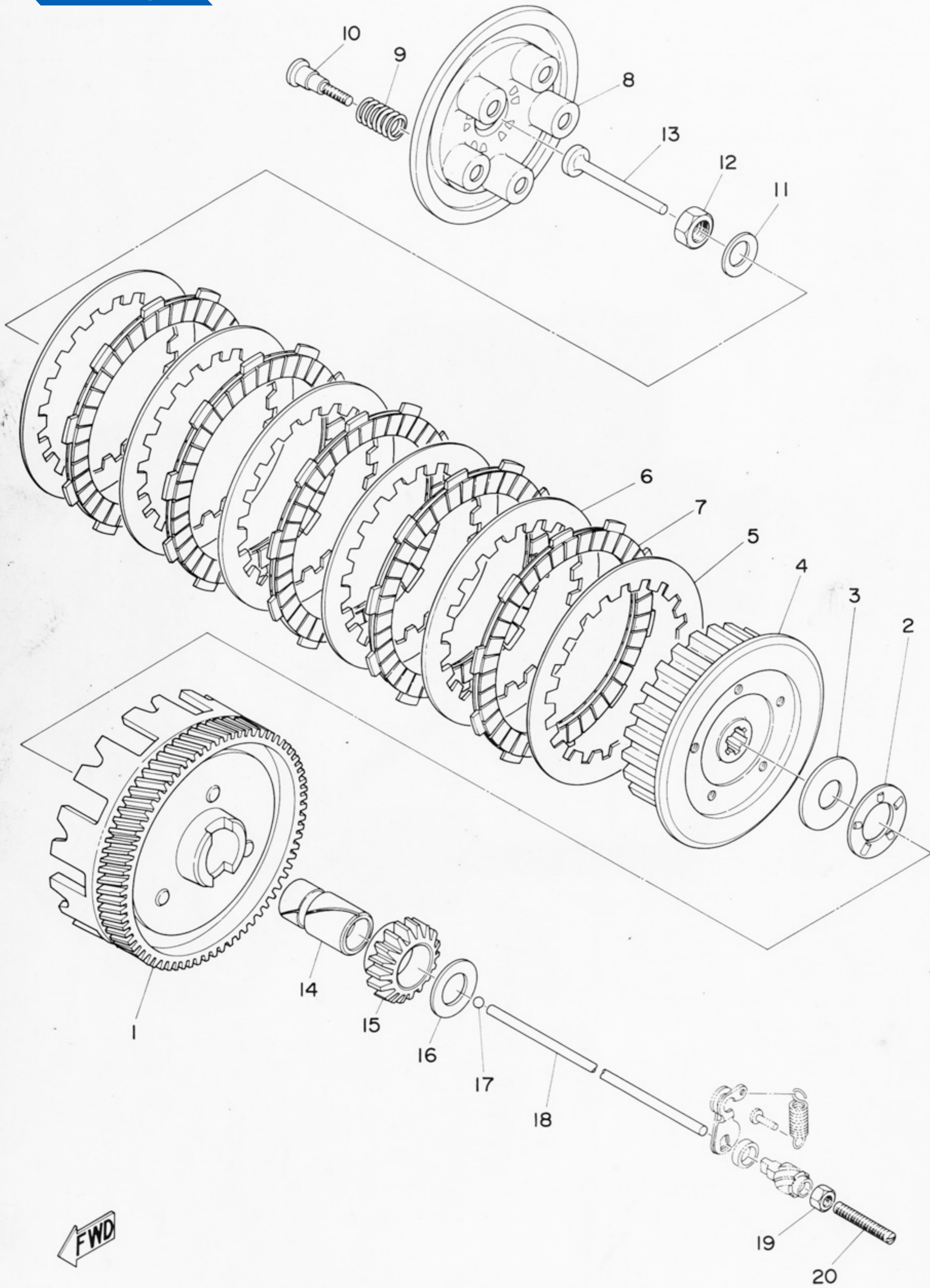
**YAMAHA**

**PARTS**

# CRANK · PISTON

Ref. No.	Parts No.	Description	Q'ty	Applicable Machine No.	Remarks
3-32	146-11545-00	KEY, wood ruff .....	1		
3-33	353-11546-00	KEY .....	1		

Fig. 4 CLUTCH



**YAMAHA****PARTS**

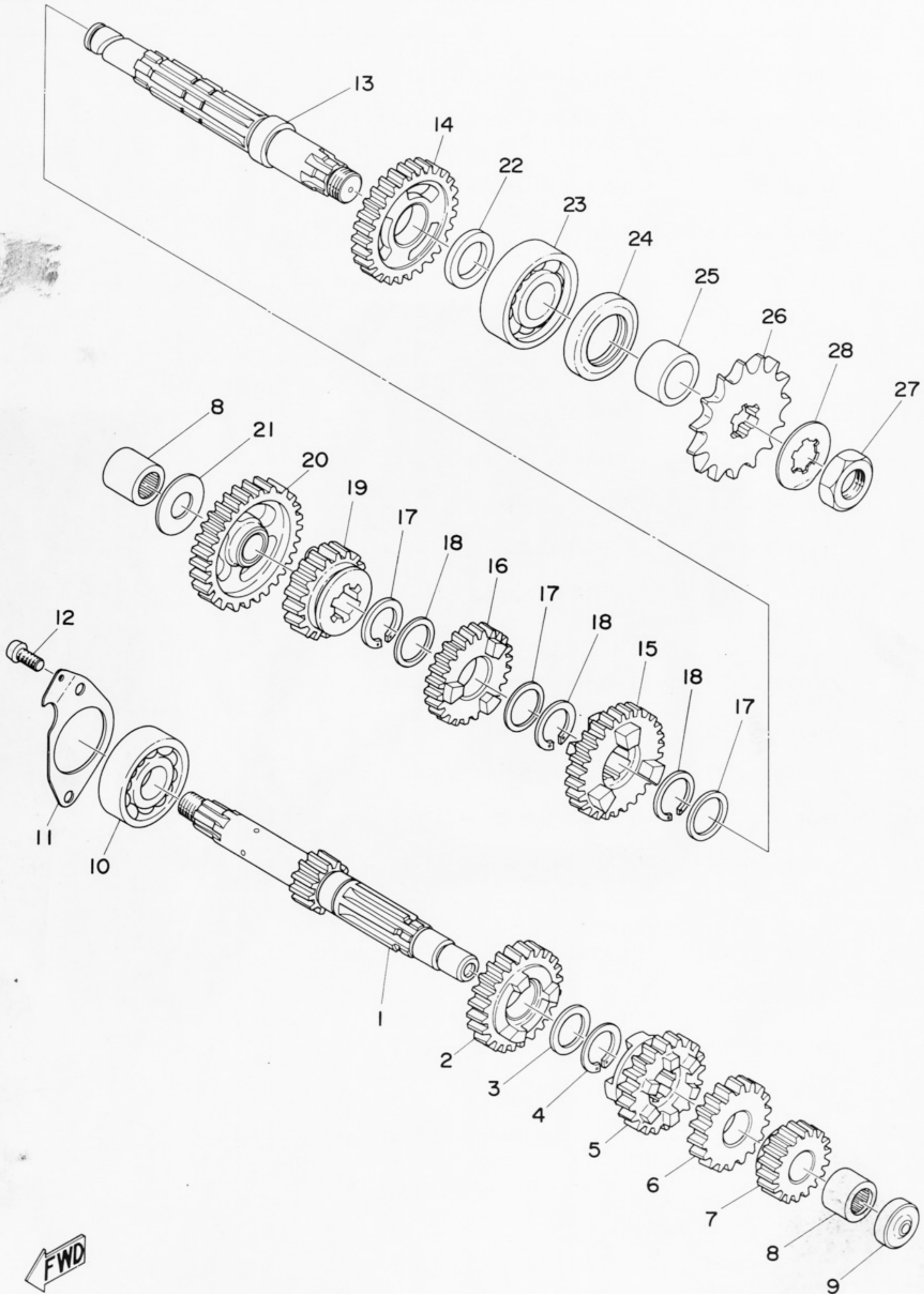
# CLUTCH

Ref. No.	Parts No.	Description	Q'ty	Applicable Machine No.	Remarks
4- 0-1	400-16301-00	CLUTCH ASS'Y .....	1		
4- 1	307-16150-00	. PRIMARY DRIVEN GEAR COMP. (74T) .....	1		
4- 2	93341-22302	. BEARING, thrust .....	1		
4- 3	131-16154-00	. PLATE, thrust (17.2-37-2.0)	1		
4- 4	132-16371-02	. BOSS, clutch .....	1		
4- 5	137-16325-00	. PLATE, clutch .....	2		
4- 6	137-16325-70	. PLATE, clutch .....	4		
4- 7	400-16321-00	. PLATE, friction .....	5		
4- 8	132-16351-00	. PLATE, pressure .....	1		
4- 9	183-16333-70	. SPRING, clutch .....	5		
4-10	137-16337-01	. SCREW, spring .....	5		
4-11	164-16119-00	SPRING, Belleville .....	1		
4-12	137-16377-00	NUT, clutch boss .....	1		
4-13	137-16356-00	ROD, push 1 .....	1		
4-14	183-16181-00	SPACER (17-23-44.25) .....	1		
4-15	132-15631-00	GEAR, kick pinion (19T) .....	1		
4-16	122-16164-00	PLATE, thrust (17.2-30-2.0) ..	1		
4-17	93501-04004	BALL (1/4 inch) .....	1		
4-18	307-16357-00	ROD, push 2 .....	1		
4-19	98801-06300	NUT .....	1		
4-20	241-16343-00	SCREW, adjusting .....	1		





Fig. 5 TRANSMISSION





# YAMAHA

## PARTS

### TRANSMISSION

Ref. No.	Parts No.	Description	Q'ty	Applicable Machine No.	Remarks
5- 1	400-17410-00	MAIN AXLE COMP. (15T) . . . . .	1		
5- 2	389-17151-00	GEAR, 5th pinion (24T) . . . . .	1		
5- 3	132-17216-00	WASHER, gear hold (20-25-1.0)	1		
5- 4	132-17414-00	CLIP, main axle . . . . .	1		
5- 5	389-17141-00	GEAR, 4th pinion (22T) . . . . .	1		
5- 6	307-17131-00	GEAR, 3rd pinion (20T) . . . . .	1		
5- 7	307-17121-70	GEAR, 2nd pinion (18T) . . . . .	1		
5- 8	93315-31502	BEARING . . . . .	2		
5- 9	132-15389-00	SEAL, push rod . . . . .	1		
5-10	93306-30304	BEARING (6303Z) . . . . .	1		
5-11	307-17471-00	PLATE, bearing cover . . . . .	1		
5-12	92501-06012	SCREW, panhead . . . . .	2		
5-13	389-17421-00	AXLE, drive . . . . .	1		
5-14	307-17221-70	GEAR, 2nd wheel (28T) . . . . .	1		
5-15	400-17231-00	GEAR, 3rd wheel (25T) . . . . .	1		
5-16	389-17241-00	GEAR, 4th wheel (23T) . . . . .	1		
5-17	132-17414-00	CLIP, main axle . . . . .	3		
5-18	132-17216-00	WASHER, gear hold . . . . .	3		
5-19	389-17251-00	GEAR, 5th wheel (21T) . . . . .	1		
5-20	307-17211-70	GEAR, 1st wheel (31T) . . . . .	1		
5-21	164-17427-00-08	SHIM, drive axle (15.2-30-0.8)	} U. R 1		
	164-17427-00-10	SHIM, drive axle (15.2-30-1.0)			
	164-17427-00-12	SHIM, drive axle (15.2-30-1.2)			





# YAMAHA

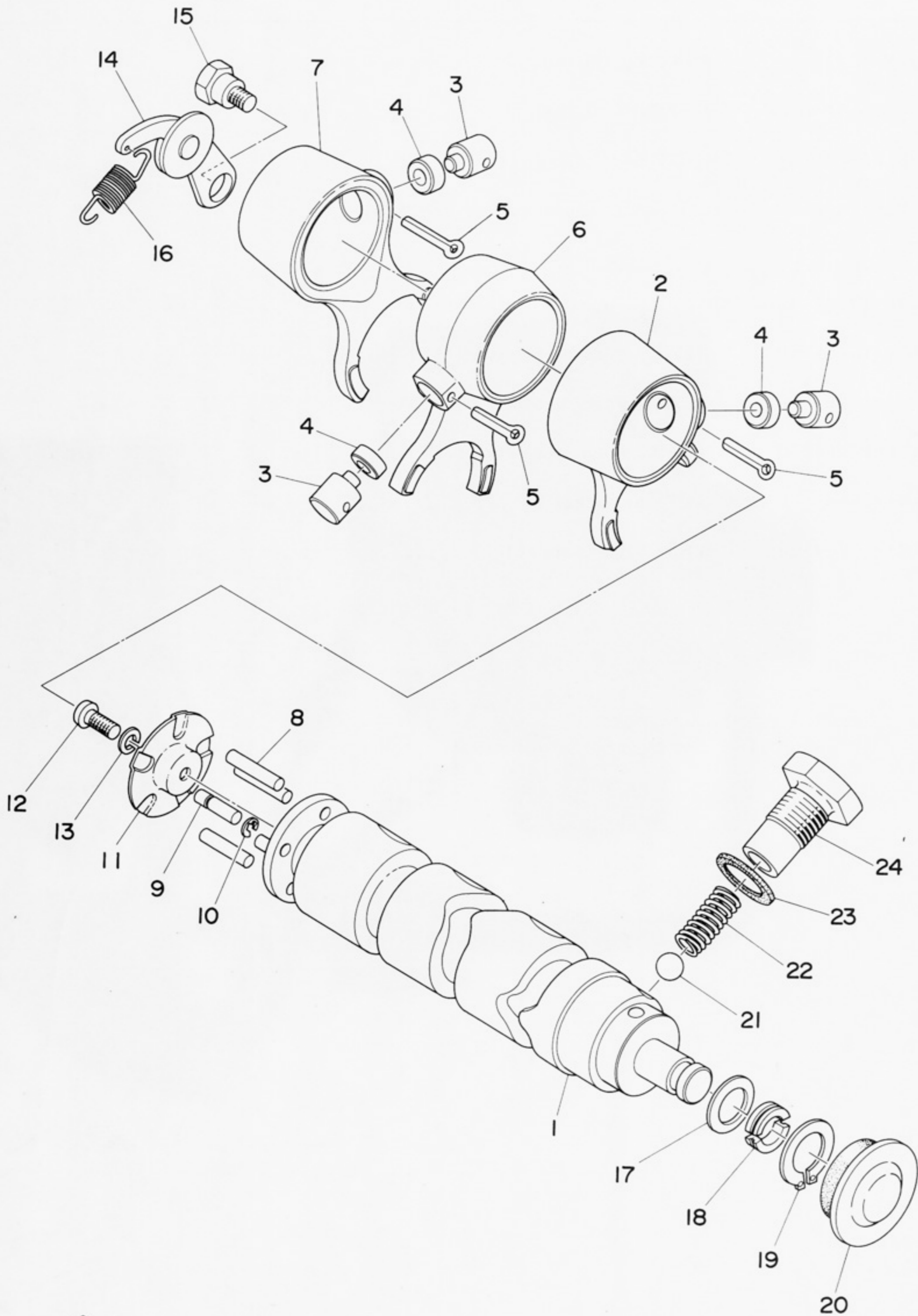
## PARTS

### TRANSMISSION

Ref. No.	Parts No.	Description	Q'ty	Applicable Machine No.	Remarks		
5-22	248-17429-00	SPACER (20-30-3) .....	1				
5-23	93306-30401	BEARING (6304) .....	1				
5-24	93102-28021	OIL SEAL (SD-28-44-7) .....	1				
5-25	102-17462-00	COLLAR, distance (20-28-15.1)	1				
5-26	174-17461-40	GEAR, sprocket drive (14T) ..	}		}		
	174-17461-50	GEAR, sprocket drive (15T) ..				U.R	
	174-17461-60	GEAR, sprocket drive (16T) ..					1
	174-17461-70	GEAR, sprocket drive (17T) ..					
5-27	102-17463-00	NUT, sprocket .....	1				
5-28	102-17464-00	WASHER, sprocket .....	1				

STD

Fig. 6 SHIFTER 1



FWD

**YAMAHA****PARTS****SHIFTER 1**

Ref. No.	Parts No.	Description	Q'ty	Applicable Machine No.	Remarks
6- 1	183-18541-01	CAM, shift .....	1		
6- 2	183-18511-00	FORK, shift 1 .....	1		
6- 3	164-18552-00	PIN, cam follower .....	3		
6- 4	164-18551-00	ROLLER, cam follower .....	3		
6- 5	91401-25020	PIN, cotter .....	3		
6- 6	183-18512-00	FORK, shift 2 .....	1		
6- 7	183-18513-00	FORK, shift 3 .....	1		
6- 8	93604-22050	PIN, dowel (4-21.8) .....	4		
6- 9	174-18544-00	PIN, locating .....	1		
6-10	93430-03014	CIRCLIP (E-25) .....	1		
6-11	164-18561-00	PLATE, side .....	1		
6-12	98501-05012	SCREW, panhead .....	1		
6-13	92901-05100	WASHER, spring .....	1		
6-14	132-18140-01	STOPPER LEVER ASS'Y ....	1		
6-15	132-18177-00	BOLT, stopper .....	1		
6-16	132-18143-00	SPRING, stopper .....	1		
6-17	164-18572-00	WASHER, plain (12.1-18-1.0) ..	1		
6-18	164-18571-00	HOLDER, shift cam .....	2		
6-19	93440-15012	CIRCLIP (15 $\phi$ special) .....	1		
6-20	307-18533-00	PLUG, blind .....	1		
6-21	93505-16006	BALL (5/16 inch) .....	1		
6-22	174-18558-00	SPRING, neutral .....	1		
6-23	137-15353-00	GASKET (14.5-21-1.5) .....	1		
6-24	174-18578-00	SCREW, spring .....	1		





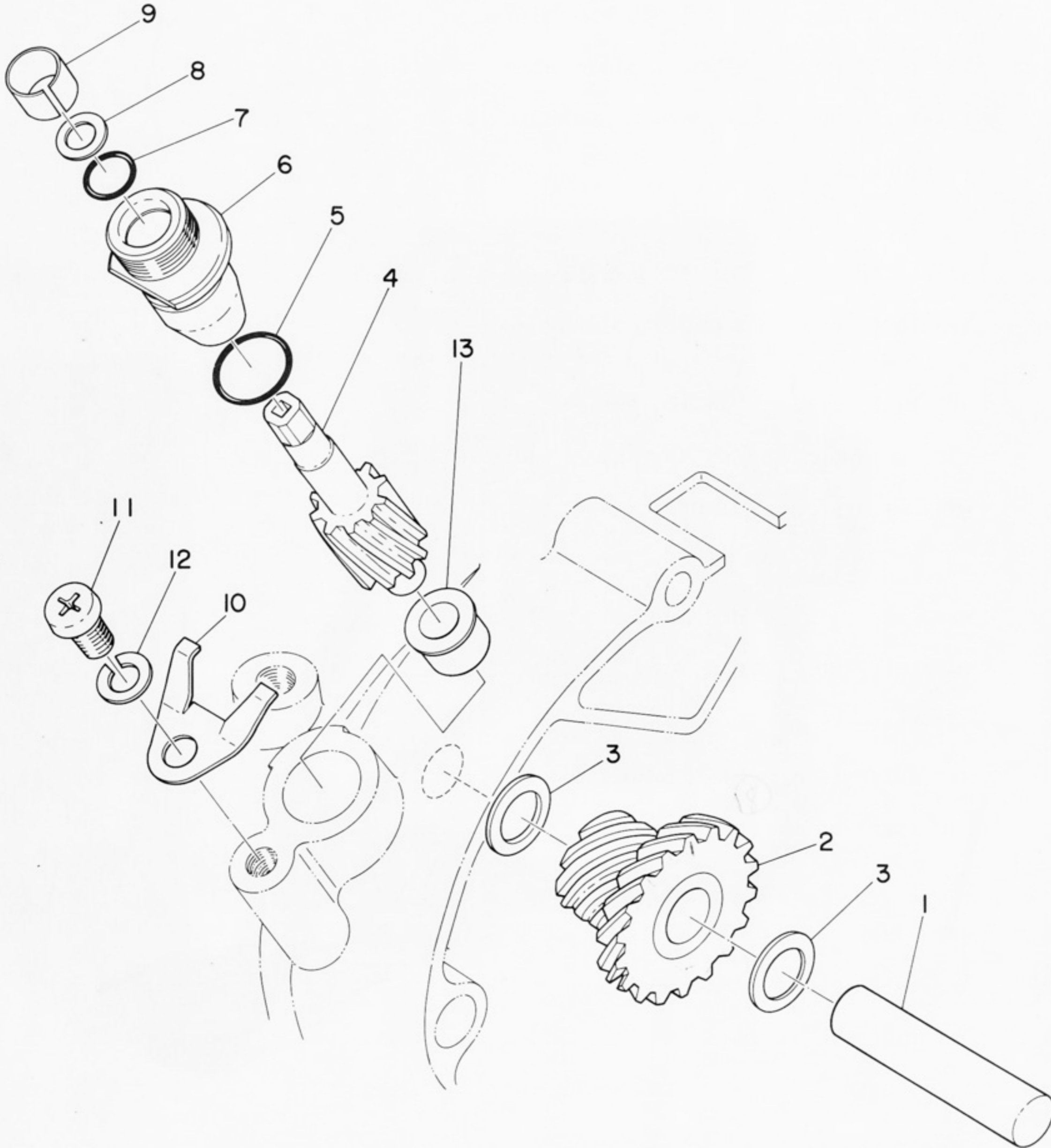
**YAMAHA****PARTS****SHIFTER 2**

Ref. No.	Parts No.	Description	Q'ty	Applicable Machine No.	Remarks
7- 1	307-18101-01	CHANGE SHAF T ASS'Y .....	1		
7- 2	132-18123-00	. SPRING, shift arm .....	1		
7- 3	132-18124-00	SPRING, shaft return .....	1		
7- 4	132-18133-00	SCREW, adjusting .....	1		
7- 5	98801-08100	NUT .....	1		
7- 6	93101-12004	OIL SEAL (S-12-22-5) .....	1		
7- 7	132-18137-00	WASHER, change shaft (12.1-26-1.6) .....	1		
7- 8	307-18111-71-91	PEDAL, change .....	1		
7- 9	240-18113-00	COVER, change pedal .....	1		
7-10	93430-10016	CIRCLIP (E-10) .....	1		
7-11	91401-20018	PIN, cotter .....	2		
7-12	144-18118-00	PIN, joint .....	2		
7-13	307-18115-71	ROD, change .....	1		
7-14	240-18116-10	ROD, joint 1 .....	1		
7-15	240-18117-10	ROD, joint 2 .....	1		
7-16	98801-06100	NUT .....	1		
7-17	307-18112-00-93	ARM, change .....	1		
7-18	91101-06030	BOLT .....	1		
7-19	92901-06100	WASHER, spring .....	1		
7-20	92901-06200	WASHER, plain .....	1		
7-21	93430-06005	CIRCLIP (E-6) .....	2		





Fig. 8 TACHOMETER GEAR

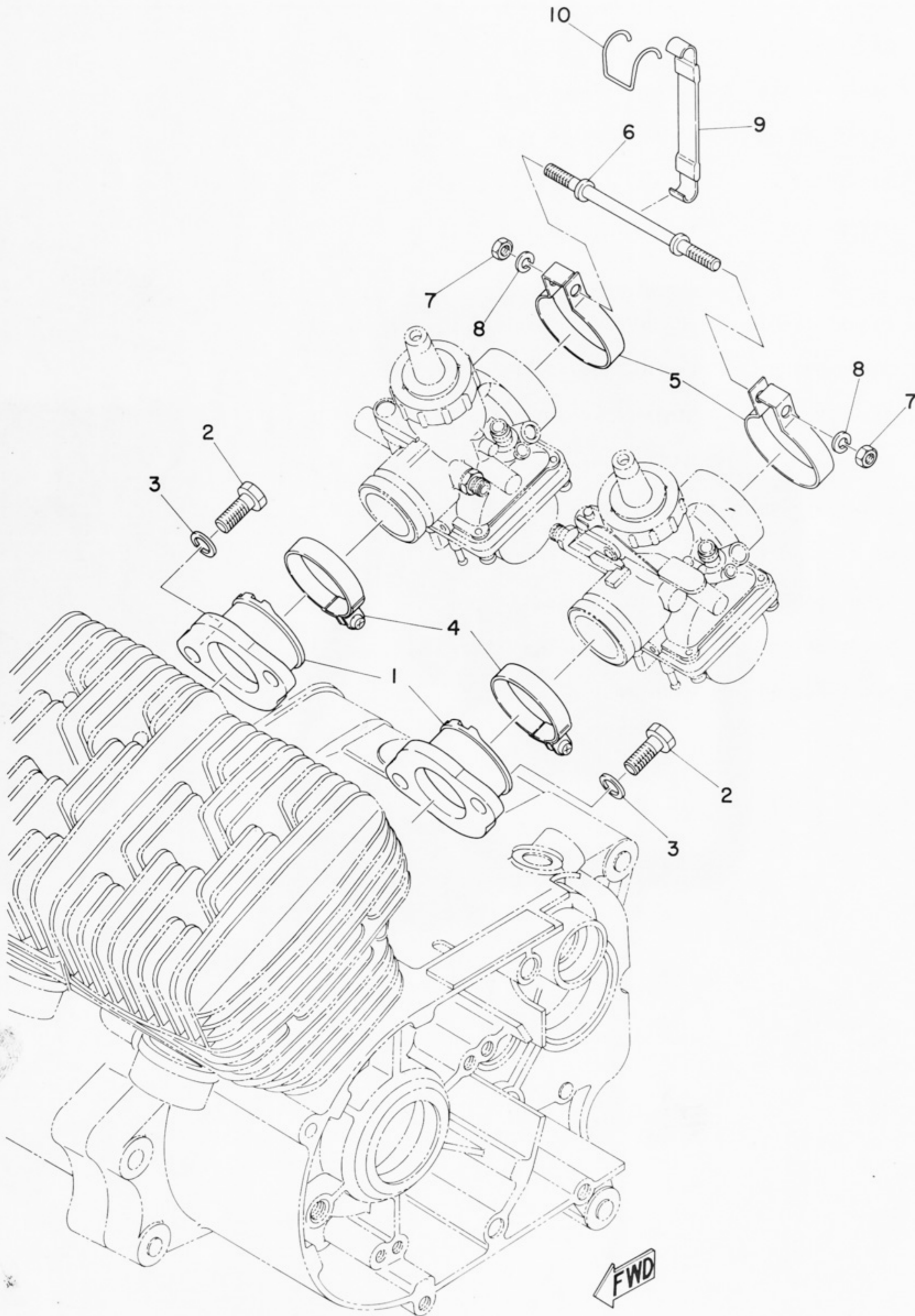


**YAMAHA****PARTS**

# TACHOMETER GEAR

Ref. No.	Parts No.	Description	Q'ty	Applicable Machine No.	Remarks
8- 1	237-17681-00	AXLE, drive gear .....	1		
8- 2	248-17831-00	GEAR, drive .....	1		
8- 3	248-17837-00	SHIM (10.2-16-1.0) .....	2		
8- 4	248-17841-00	GEAR, driven .....	1		
8- 5	93210-13016	O-RING (1.8-13) .....	1		
8- 6	214-17811-01	HOUSING .....	1		
8- 7	93210-07100	O-RING (2.2-7.2) .....	1		
8- 8	214-17847-00	SHIM (7.5-10.8-0.4) .....	1		
8- 9	214-17815-00	BUSHING .....	1		
8-10	214-17812-00	STOPPER .....	1		
8-11	92501-06010	SCREW, panhead .....	1		
8-12	92901-06100	WASHER, spring .....	1		
8-13	214-17843-00	BUSHING .....	1		

Fig. 9 INTAKE





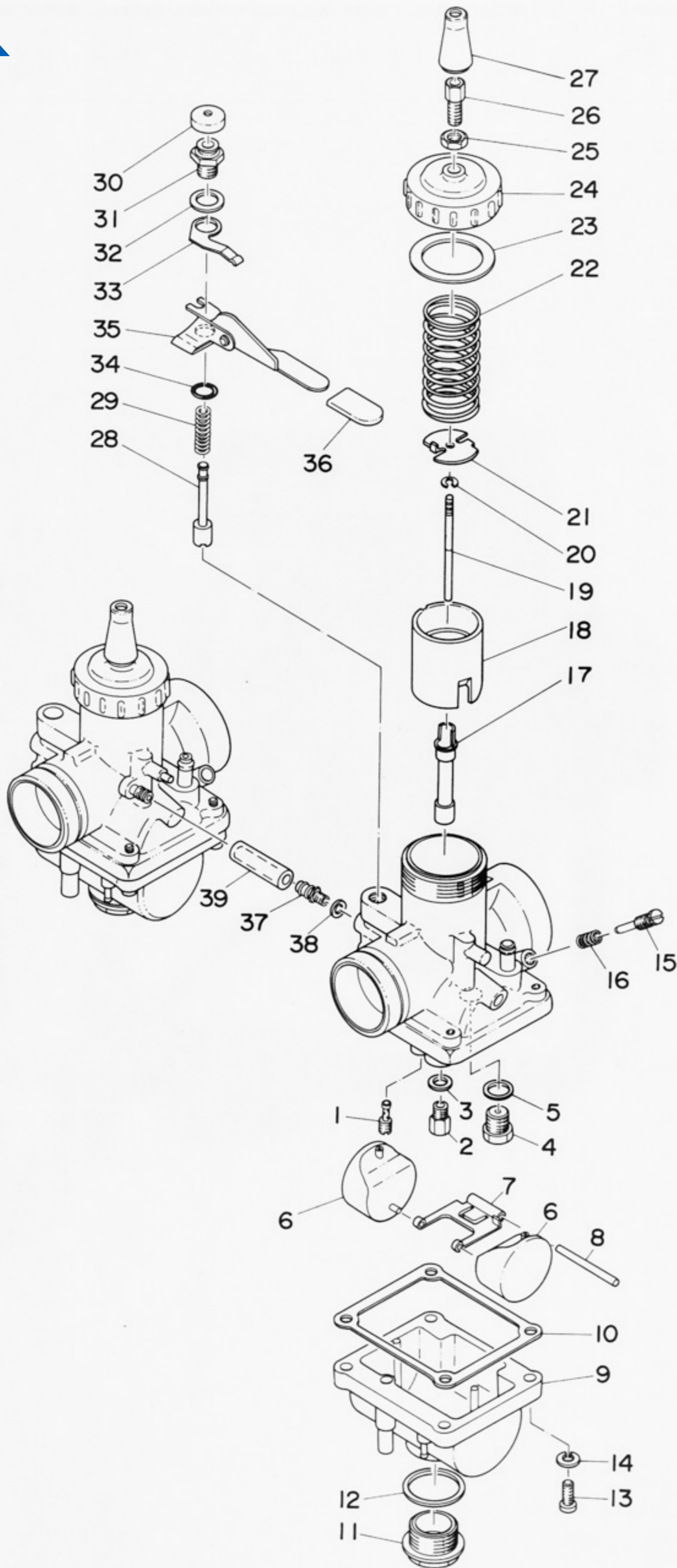
**YAMAHA**

**PARTS**

# INTAKE

Ref. No.	Parts No.	Description	Q'ty	Applicable Machine No.	Remarks
9- 1	278-13555-00	JOINT, air cleaner .....	2		
9- 2	97201-08018	BOLT .....	4		
9- 3	92901-08100	WASHER, spring .....	4		
9- 4	278-13575-00	BAND .....	2		
9- 5	307-14456-00	BAND .....	2		
9- 6	307-14486-70	SCREW, rod .....	1		
9- 7	98801-06200	NUT .....	2		
9- 8	92901-06100	WASHER, spring .....	2		
9- 9	294-14491-00	HOLDER .....	1		
9-10	307-13577-70	CLIP .....	1		

Fig. 10 CARBURETOR



FWD



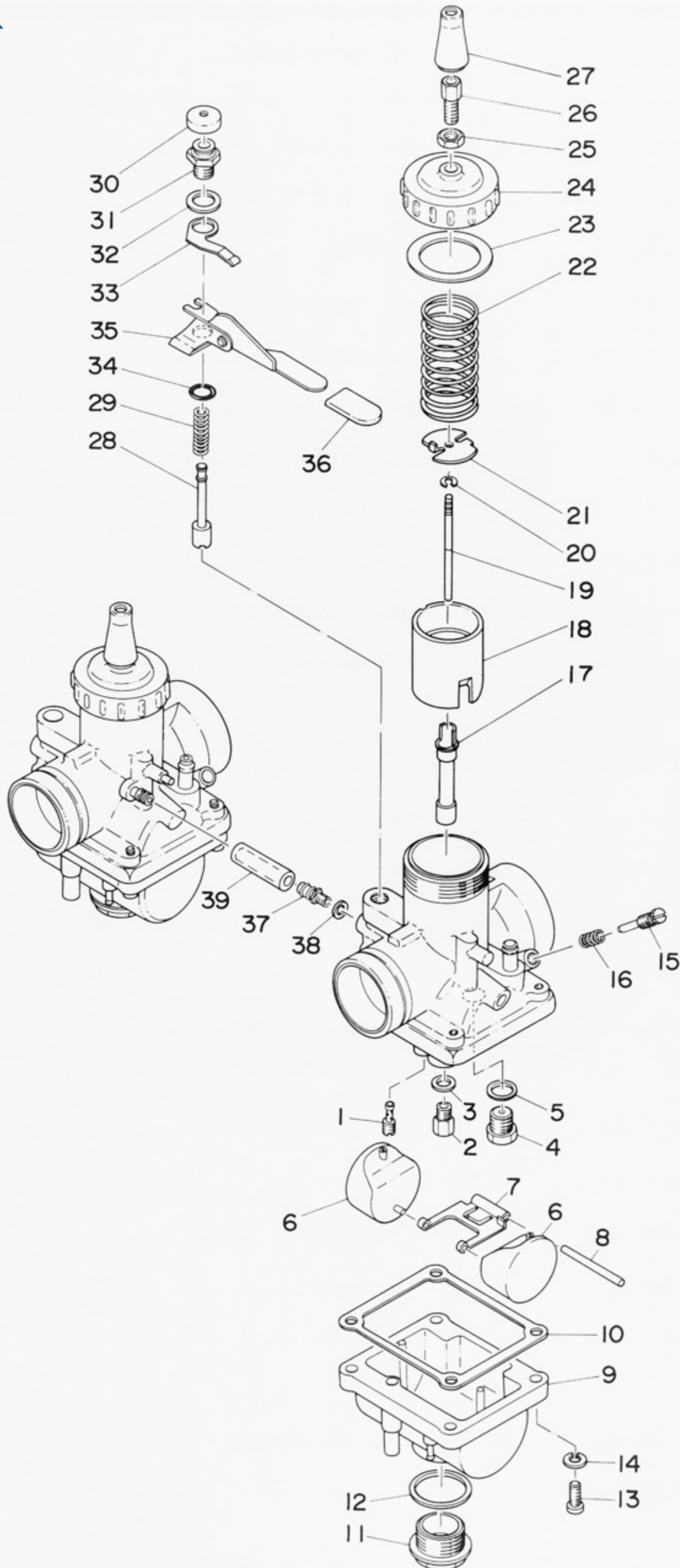
# YAMAHA

## PARTS

### CARBURETOR

Ref. No.	Parts No.	Description	Q'ty	Applicable Machine No.	Remarks
10- 0-1	307-14101-71	CARBURETOR ASS'Y, left	.... 1		
10- 0-2	307-14102-71	CARBURETOR ASS'Y, right	... 1		
10- 1	193-14142-40	. JET, pilot (#40)	..... 2		
10- 2	137-14143-36	. JET, main (#180)	.....	} U.R 2	
	137-14143-38	. JET, main (#190)	.....		
	137-14143-40	. JET, main (#200)	.....		
	137-14143-42	. JET, main (#210)	.....		
	137-14143-44	. JET, main (#220)	.....		
10- 3	137-14153-00	. WASHER, main jet	..... 2		
10- 4	168-14190-25	. VALVE SEAT ASS'Y (#2.5)	... 2		
10- 5	214-14195-00	. WASHER, valve seat	..... 2		
10- 6	280-14185-00	. FLOAT	..... 4		
10- 7	280-14187-00	. ARM, float	..... 2		
10- 8	137-14186-00	. PIN, float	..... 2		
10- 9	278-14181-00	. BODY, float chamber left	.... 1		
	278-14183-00	. BODY, float chamber right	.. 1		
10-10	278-14184-00	. GASKET, float chamber	..... 2		
10-11	278-14115-00	. PLUG, screw	..... 2		
10-12	278-14117-00	. WASHER, screw plug	..... 2		
10-13	98502-04016	. SCREW, panhead	..... 8		
10-14	92902-04100	. WASHER, spring	..... 8		
10-15	152-14123-00	. SCREW, air adjusting	..... 2		
10-16	127-14134-00	. SPRING, air adjusting	.... 2		
10-17	280-14141-20	. NOZZLE, main (N-0)	..... 2		

Fig. 10 CARBURETOR

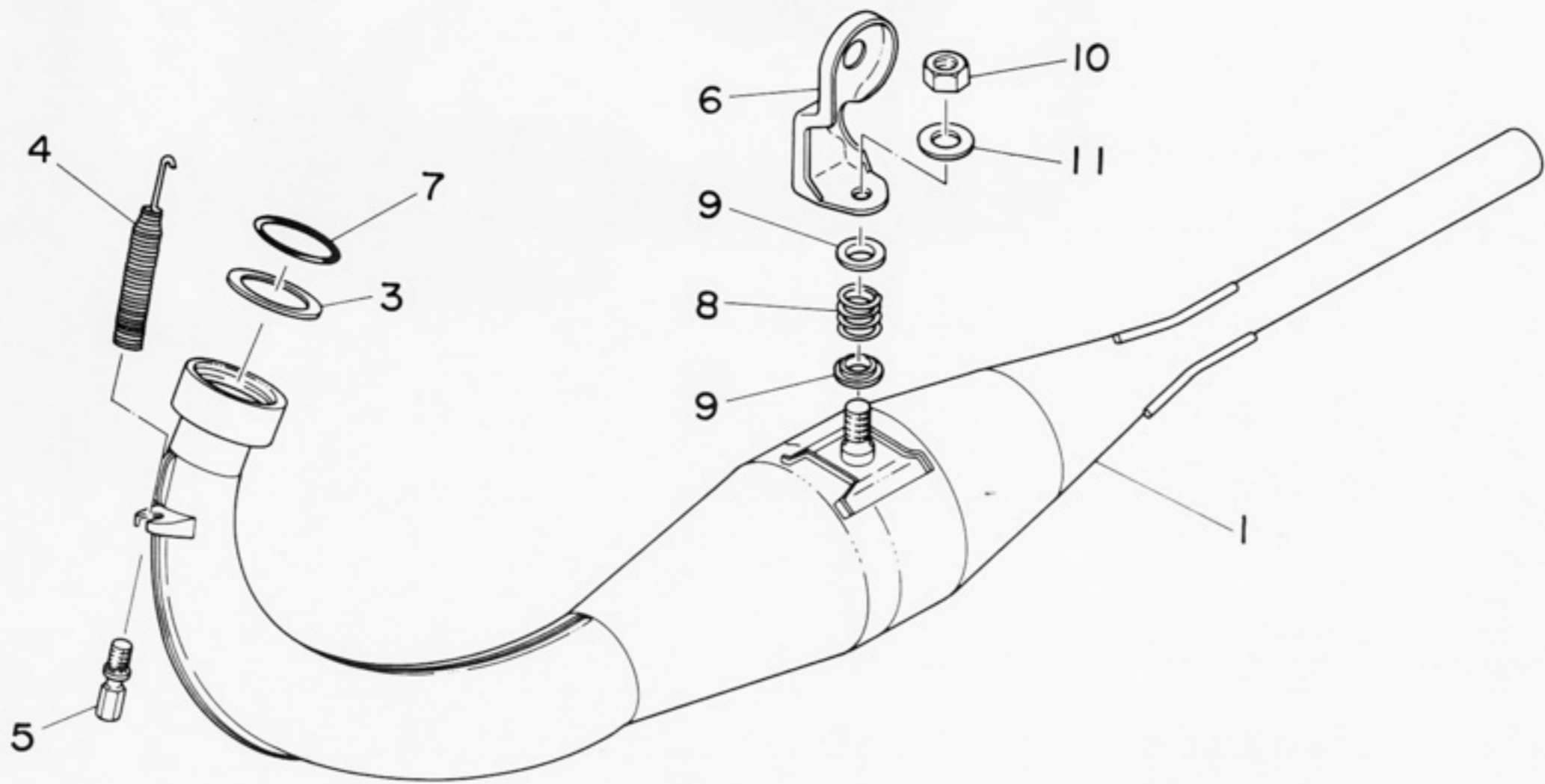
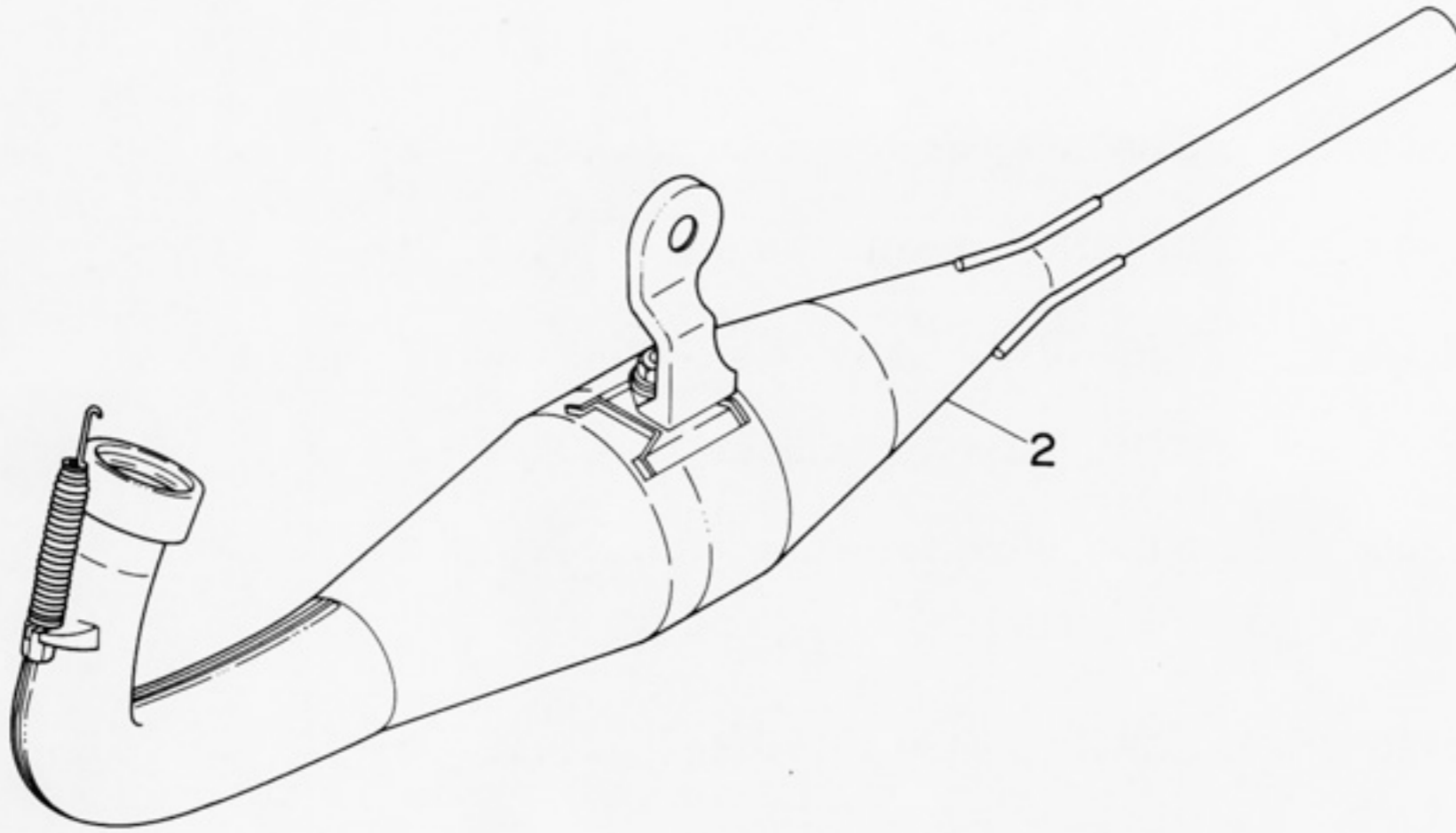


**YAMAHA****PARTS****CARBURETOR**

Ref. No.	Parts No.	Description	Q'ty	Applicable Machine No.	Remarks
10-18	278-14112-10	. VALVE, throttle left (#1.0) ...	1		
	278-14113-10	. VALVE, throttle right (#1.0) ..	1		
10-19	644-14116-15	. NEEDLE (5F15-2) .....	2		
10-20	164-14137-00	. CLIP .....	2		
10-21	256-14936-00	. SEAT, spring .....	2		
10-22	204-14131-00	. SPRING, throttle stop .....	2		
10-23	246-14126-00	. PACKING .....	2		
10-24	802-14158-00	. TOP, mixing chamber .....	2		
10-25	802-14161-00	. NUT, wire adjusting .....	2		
10-26	127-14124-20	. SCREW, wire adjusting .....	2		
10-27	802-14169-00	. CAP .....	2		
10-28	278-14171-00	. PLUNGER, starter .....	1		
10-29	256-14135-00	. SPRING, plunger .....	1		
10-30	802-14173-00	. COVER, plunger cap .....	1		
10-31	278-14174-00	. CAP, plunger .....	1		
10-32	132-14179-00	. WASHER, starter lever .....	1		
10-33	170-14178-00	. PLATE, starter lever .....	1		
10-34	93220-09001	. O-RING .....	1		
10-35	278-14175-00	. LEVER, starter left .....	1		
10-36	278-14169-00	. CAP .....	1		
10-37	278-14251-00	. NIPPLE .....	1		
10-38	278-14151-00	. WASHER .....	1		
10-39	307-14149-70	HOSE .....	1		



Fig. 11 EXHAUST

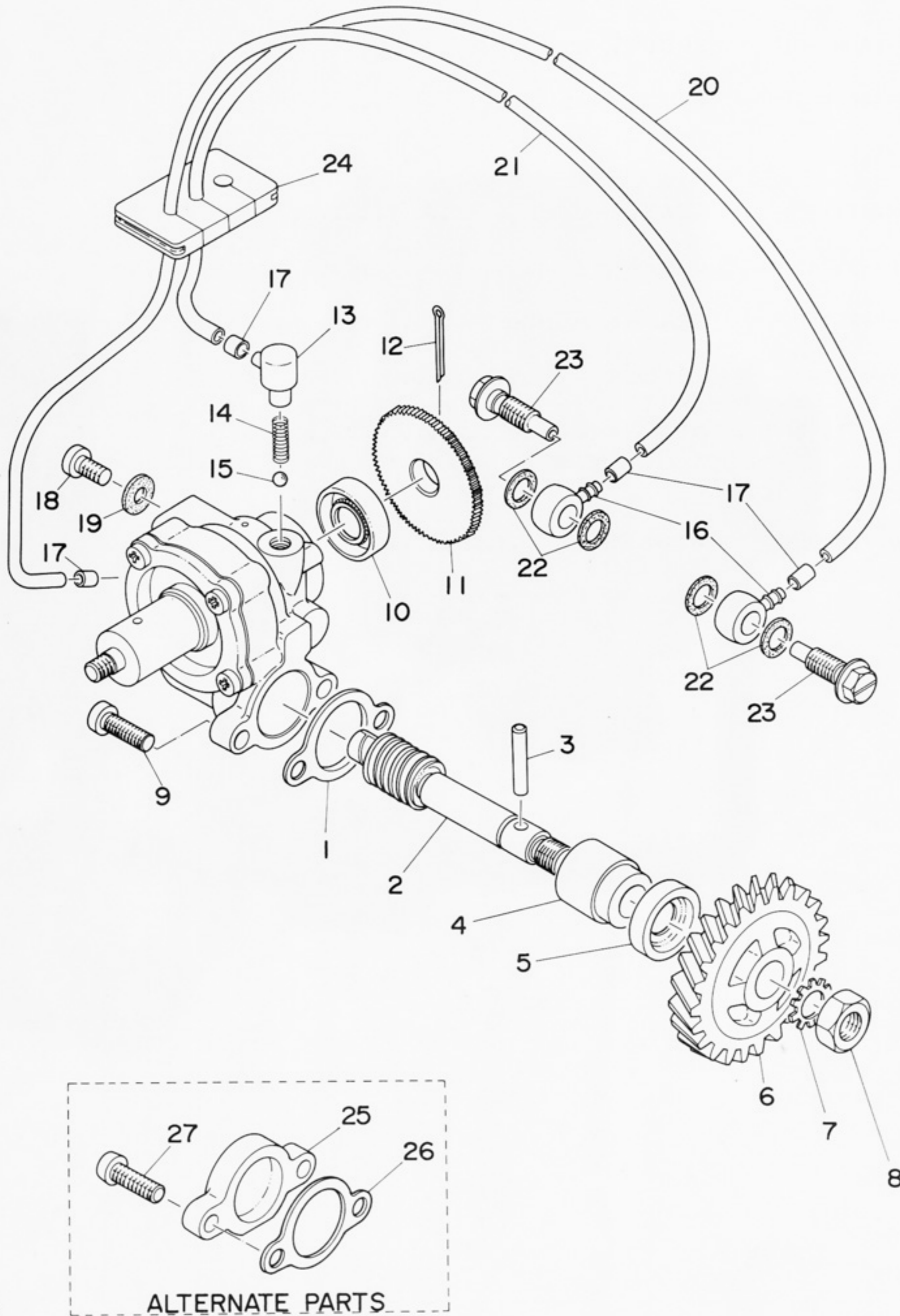


**YAMAHA****PARTS**

# EXHAUST

Ref. No.	Parts No.	Description	Q'ty	Applicable Machine No.	Remarks
11- 1	307-14610-71	EXHAUST PIPE ASS'Y, left . . . .	1		
11- 2	307-14620-71	EXHAUST PIPE ASS'Y, right . . .	1		
11- 3	132-14613-00	GASKET, exhaust pipe . . . . .	2		
11- 4	145-14683-00	SPRING, hook . . . . .	2		
11- 5	322-14684-10	BOLT, hook . . . . .	2		
11- 6	307-14771-70-33	STAY, muffler . . . . .	2		Yamaha Black
11- 7	93210-38243	O-RING . . . . .	4		
11- 8	240-14773-00	SPRING, muffler . . . . .	2		
11- 9	240-14764-00	SPACER . . . . .	4		
11-10	145-14775-00	NUT . . . . .	2		
11-11	92901-08200	WASHER . . . . .	2		

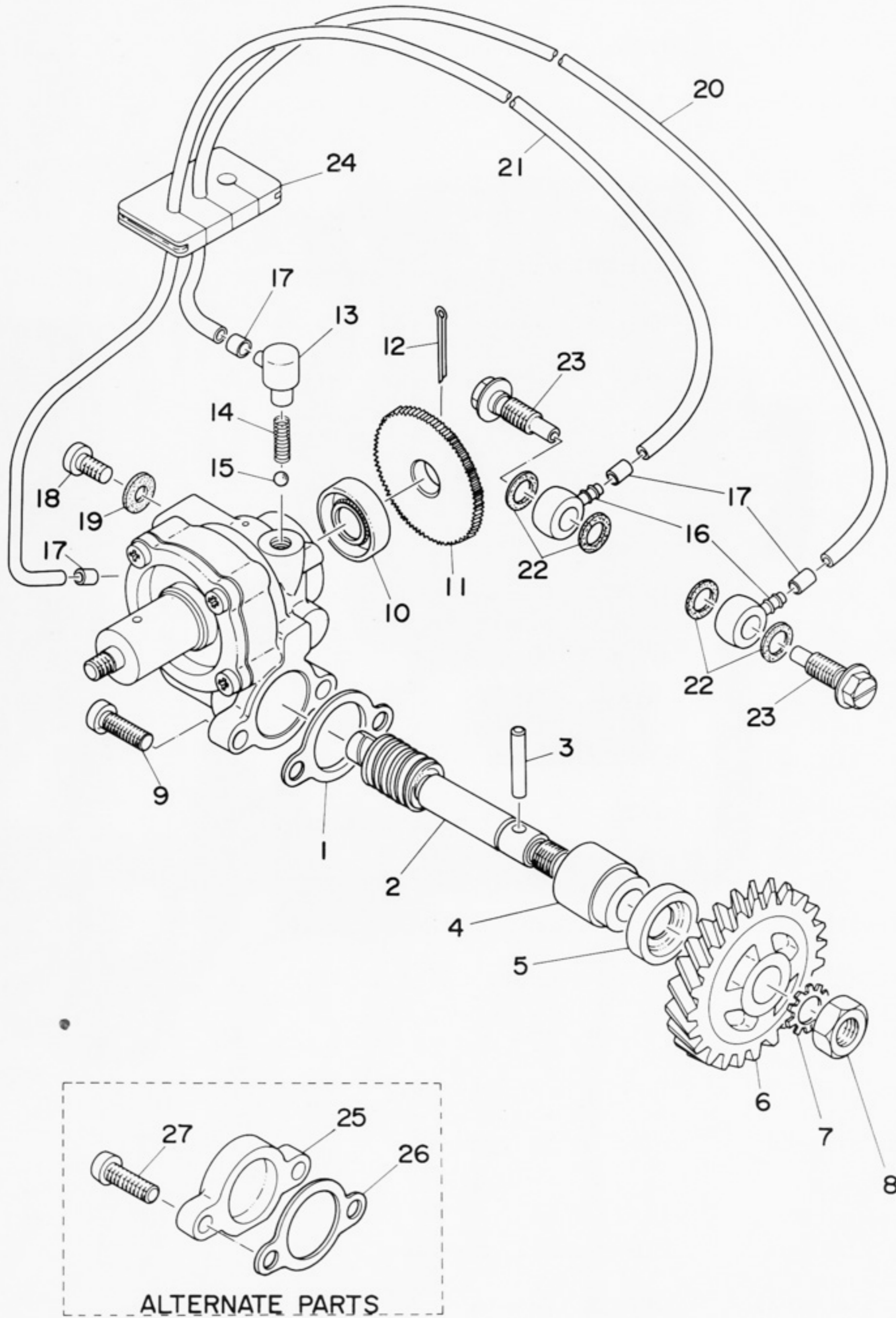
Fig. 12 OIL PUMP



**YAMAHA****PARTS****OIL PUMP**

Ref. No.	Parts No.	Description	Q'ty	Applicable Machine No.	Remarks
12- 1	126-13116-00	GASKET, pump case .....	1		
12- 2	174-13175-00	SHAFT, worm .....	1		
12- 3	93603-22028	PIN, dowel (3-21.8) .....	1		
12- 4	137-13176-00	METAL, worm shaft outer ....	1		
12- 5	93101-10002	OIL SEAL (S-10-22-7) .....	1		
12- 6	132-13178-01	GEAR, drive (34T) .....	1		
12- 7	92901-08400	WASHER, tooth .....	1		
12- 8	98801-08300	NUT .....	1		
12- 9	98501-05015	SCREW, panhead .....	2		
12- 0-1	400-13101-00	OIL PUMP ASS'Y .....	1		
12-10	93101-10001	. OIL SEAL (S-10-21-5) .....	1		
12-11	137-13128-00	. PLATE, starter .....	1		
12-12	91401-12018	. PIN, cotter .....	1		
12-13	353-13552-00	. NOZZLE .....	2		
12-14	278-13169-00	. SPRING, check ball .....	2		
12-15	93505-32002	. BALL .....	2		
12-16	214-13162-00	. BANJO, delivery pipe .....	2		
12-17	214-13164-00	. CLIP, delivery pipe .....	4		
12-18	98901-04008	. SCREW, bind .....	1		
12-19	137-13187-00	. GASKET, breather (4.2-8.5-0.5)	1		
12-20	278-13161-00	. PIPE, delivery (3-420) .....	1		
12-21	214-13161-00	. PIPE, delivery (3-240) .....	1		
12-22	137-13167-00	GASKET, banjo bolt 1 (6-13-0.5)	4		

Fig. 12 OIL PUMP





**YAMAHA**

**PARTS**

# OIL PUMP

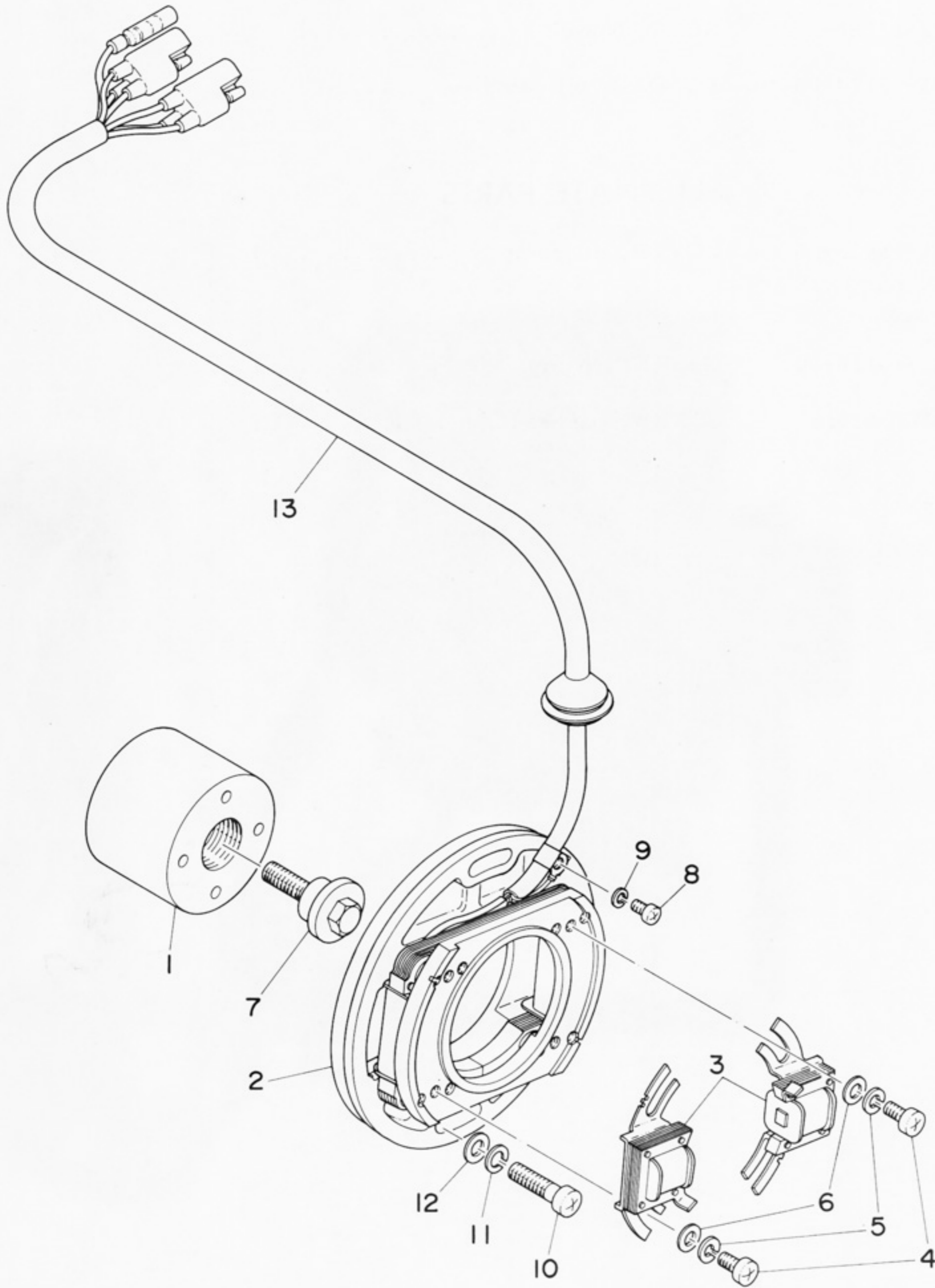
Ref. No.	Parts No.	Description	Q'ty	Applicable Machine No.	Remarks
12-23	132-13166-00	BOLT, banjo 2 .....	2		
12-24	293-13174-00	HOLDER, oil pump .....	1		

## ALTERNATE PARTS

12-25	161-15426-00	COVER, oil pump .....	1		
12-26	126-13116-00	GASKET, pump case .....	1		
12-27	98501-05015	SCREW, panhead .....	2		



Fig. 13 C.D.I. MAGNETO



**YAMAHA****PARTS****C.D.I.MAGNETO**

Ref. No.	Parts No.	Description	Q'ty	Applicable Machine No.	Remarks
13- 0-1	400-85500-12	C.D.I MAGNETO ASS'Y .....	1		
13- 1	400-85550-11	. ROTOR .....	1		
13- 2	400-85510-10	. STATOR ASS'Y .....	1		
13- 3	322-85543-10	. COIL, pulser .....	2		
13- 4	98501-05010	. SCREW, panhead .....	4		
13- 5	92901-05100	. WASHER, spring .....	4		
13- 6	92901-05200	. WASHER, plain .....	4		
13- 7	328-85559-10	. BOLT, rotor set .....	1		
13- 8	98501-04008	. SCREW, panhead .....	1		
13- 9	92901-04100	. WASHER, spring .....	1		
13-10	98580-05030	. SCREW, panhead .....	2		
13-11	92901-05100	. WASHER, spring .....	2		
13-12	92901-05027	. WASHER, plain .....	2		
13-13	328-85515-10	. WIRE, read .....	1		





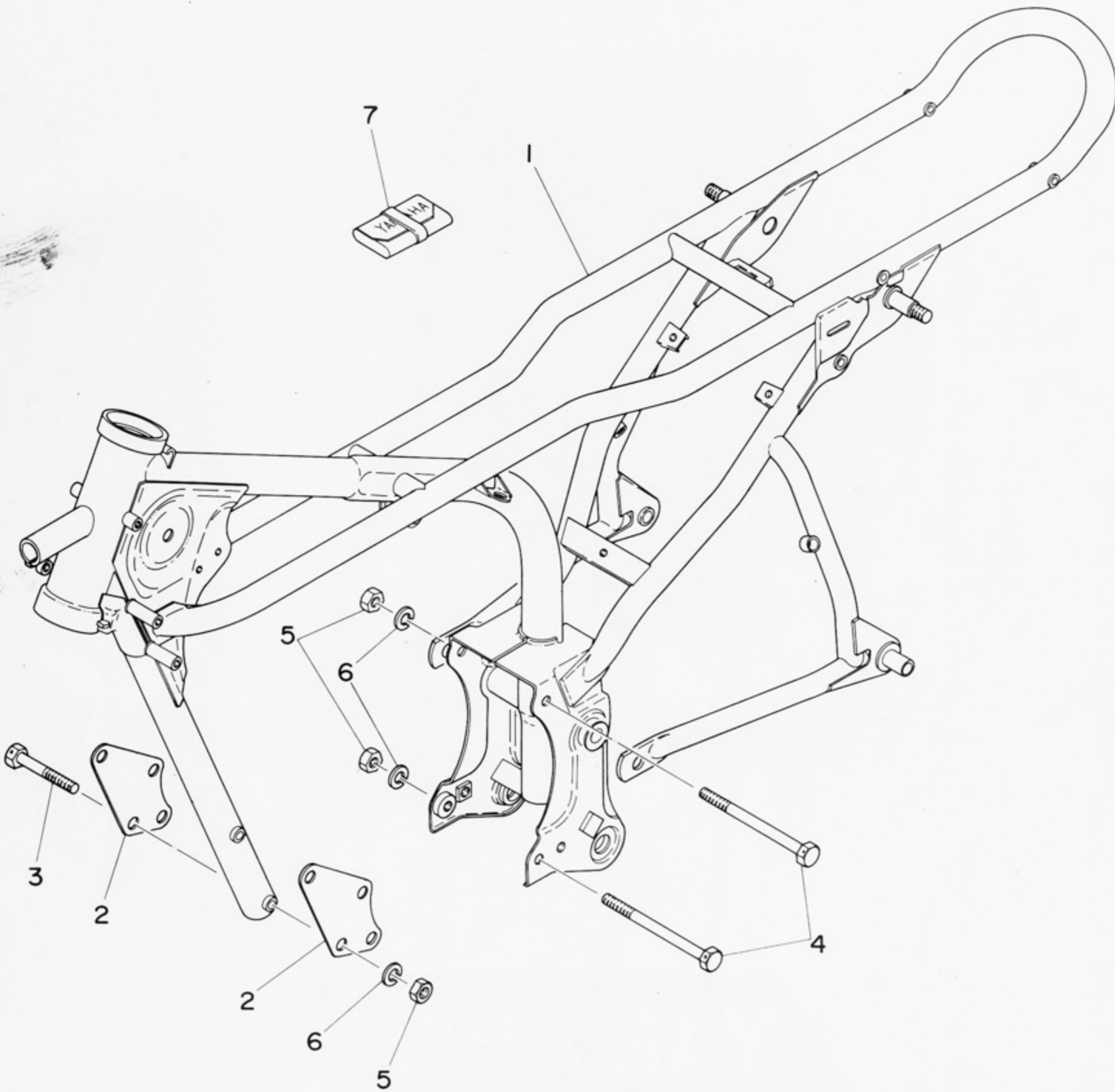




# CHASSIS



Fig. 14 FRAME





**YAMAHA**

**PARTS**

# FRAME

Ref. No.	Parts No.	Description	Q'ty	Applicable Machine No.	Remarks
14- 1	400-21110-00-33	FRAME COMP. ....	1		Yamaha Black
14- 2	307-21315-00-33	STAY, engine front .....	2		Yamaha Black
14- 3	95101-08055	BOLT, engine mounting 1 .....	4		
14- 4	95101-08115	BOLT, engine mounting 2 .....	2		
14- 5	95301-08100	NUT .....	6		
14- 6	92901-08100	WASHER, spring .....	6		
14- 7	183-28100-10	TOOL ASS'Y .....	1		





# YAMAHA

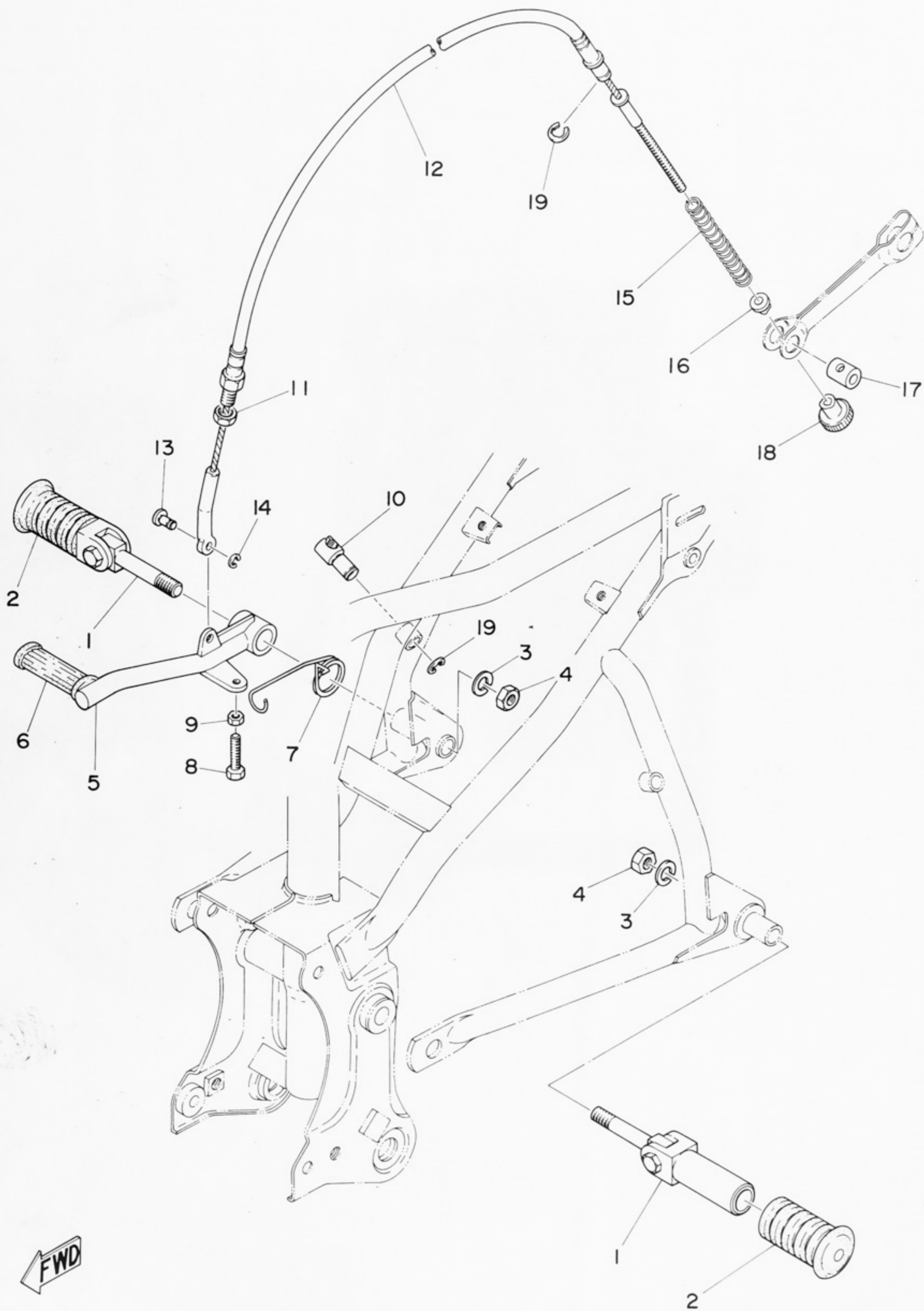
## PARTS

### REAR ARM · REAR CUSHION

Ref. No.	Parts No.	Description	Q'ty	Applicable Machine No.	Remarks
15- 1	400-22110-00-33	REAR ARM COMP. ....	1		Yamaha Black
15- 2	307-22123-00	BUSHING, rear arm .....	2		
15- 3	90109-12172	SHAFT, pivot .....	1		
15- 4	95301-12100	NUT .....	1		
15- 5	164-22216-00	BUSHING, rear cushion .....	2		
15- 6	400-22210-00	REAR CUSHION ASS'Y .....	2		
15- 7	95301-10100	NUT .....	2		
15- 8	102-22243-00	WASHER, rear cushion (14.8-27-2) .....	2		
15- 9	135-22243-00	WASHER, rear cushion (14.8-27-2) .....	2		
15-10	400-22241-00	BOLT, rear cushion .....	2		



Fig. 16 FOOTREST · BRAKE PEDAL



**YAMAHA****PARTS****FOOTREST · BRAKE PEDAL**

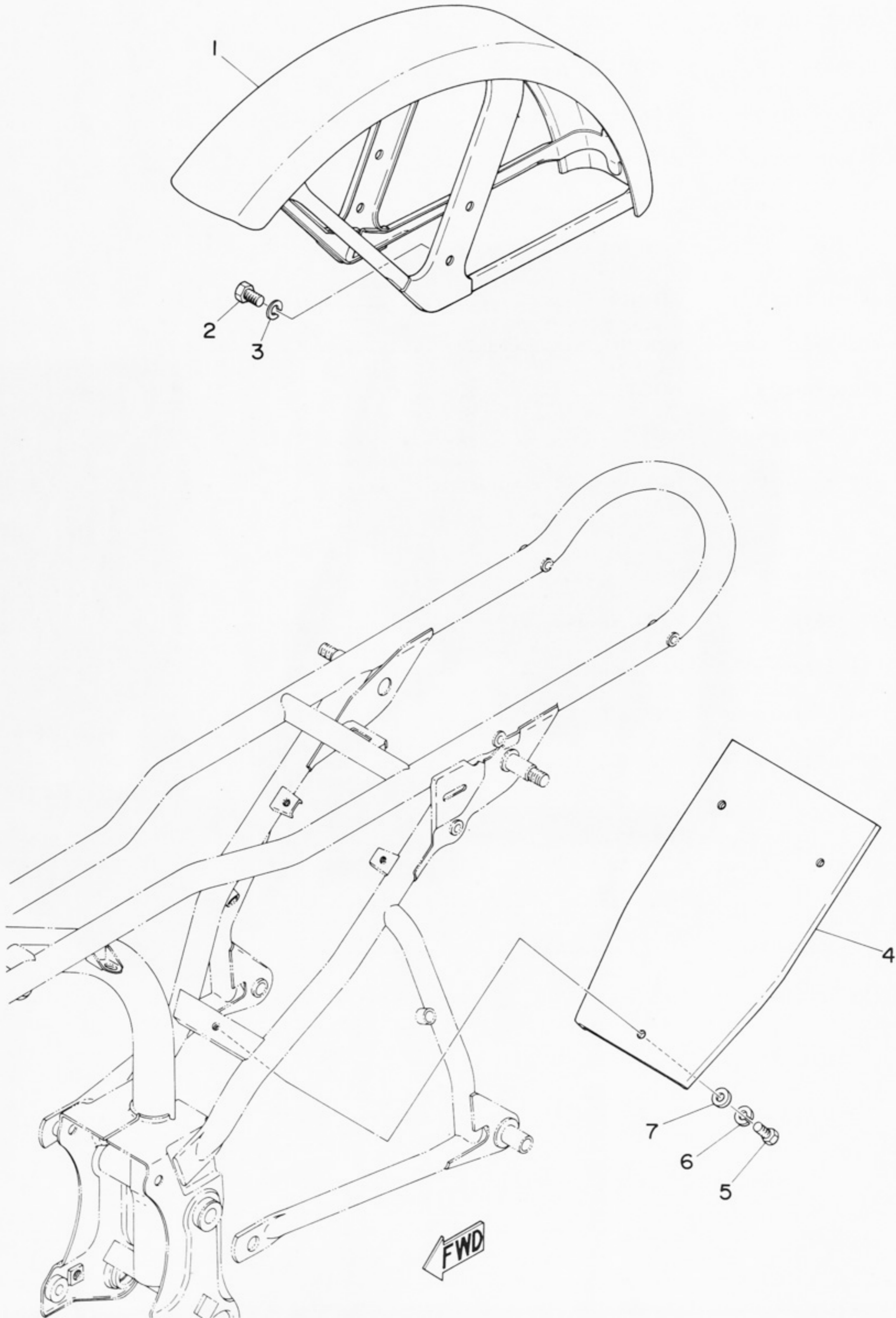
Ref. No.	Parts No.	Description	Q'ty	Applicable Machine No.	Remarks
16- 1	240-27400-00	FOOTREST ASS'Y .....	2		
16- 2	240-27413-00	. COVER, footrest .....	2		
16- 3	92901-10100	WASHER, spring .....	2		
16- 4	95301-10300	NUT .....	2		
16- 5	400-27211-00-91	PEDAL, brake .....	1		
16- 6	240-18113-00	COVER .....	1		
16- 7	400-27216-00	SPRING, brake pedal .....	1		
16- 8	91201-06025	BOLT .....	1		
16- 9	98801-06300	NUT .....	1		
16-10	400-26396-00	HOLDER, wire adjusting .....	1		
16-11	95301-08300	NUT .....	1		
16-12	400-26351-01	WIRE, brake rear .....	1		
16-13	143-27229-00	PIN, joint .....	1		
16-14	93430-04002	CIRCLIP (E-4) .....	1		
16-15	294-27236-00	SPRING, return .....	1		
16-16	294-27239-00	SEAT, spring .....	1		
16-17	400-27237-00	PIN, clevis .....	1		
16-18	400-27238-00	NUT, adjusting .....	1		
16-19	93430-06005	CIRCLIP (E-6) .....	3		







Fig. 17 FRONT FENDER · REAR FENDER

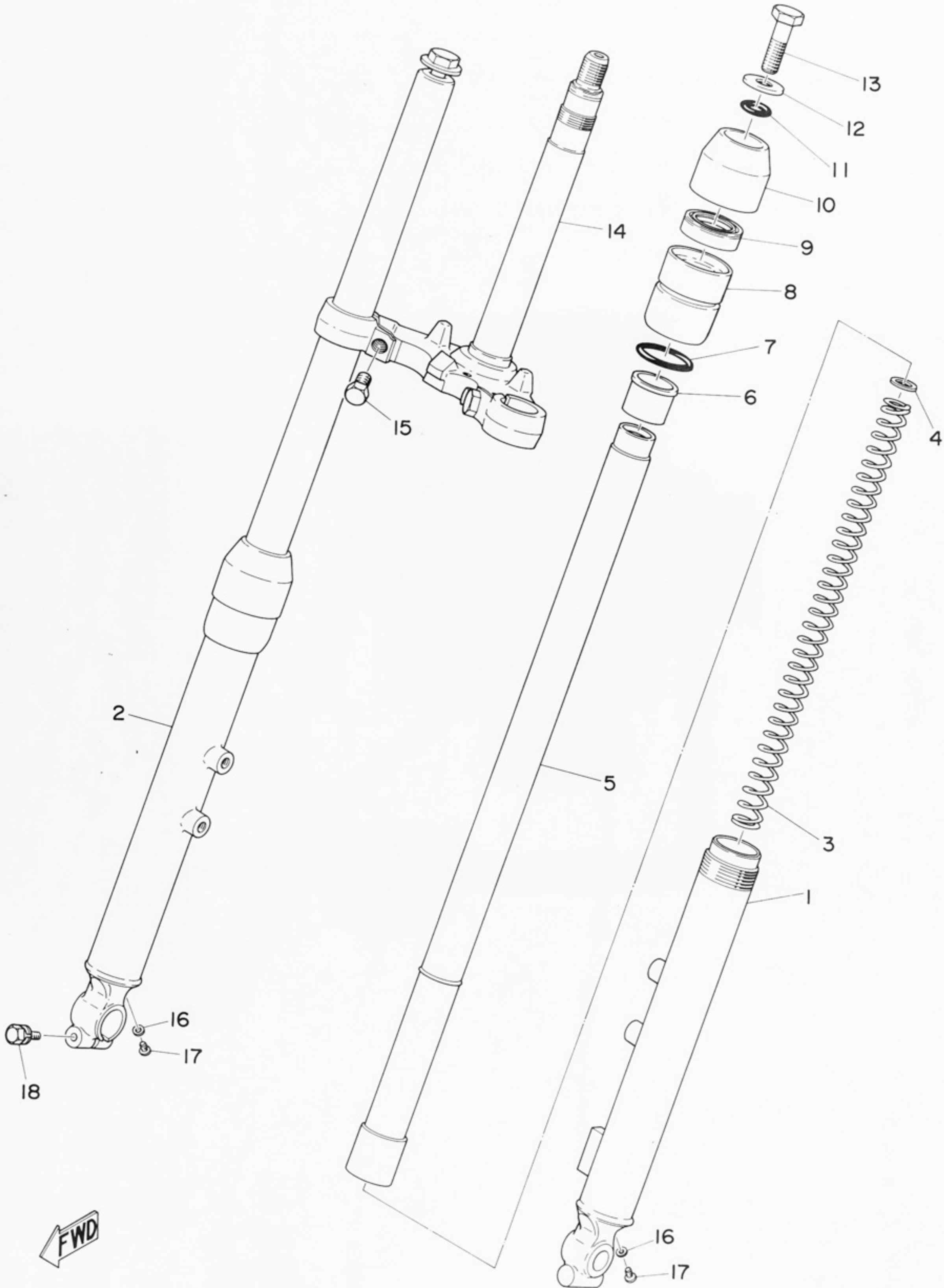


**YAMAHA****PARTS**

## FRONT FENDER · REAR FENDER

Ref. No.	Parts No.	Description	Q'ty	Applicable Machine No.	Remarks
17- 1	400-21510-00-A6	FRONT FENDER COMP. ....	1		Cinquasia Red
17- 2	95201-08010	BOLT .....	4		
17- 3	92901-08100	WASHER, spring .....	4		
17- 4	400-21610-00	REAR FENDER COMP. ....	1		
17- 5	95201-06015	BOLT .....	3		
17- 6	92901-06100	WASHER, spring .....	3		
17- 7	92901-06200	WASHER, plain .....	3		

Fig. 18 FRONT FORK

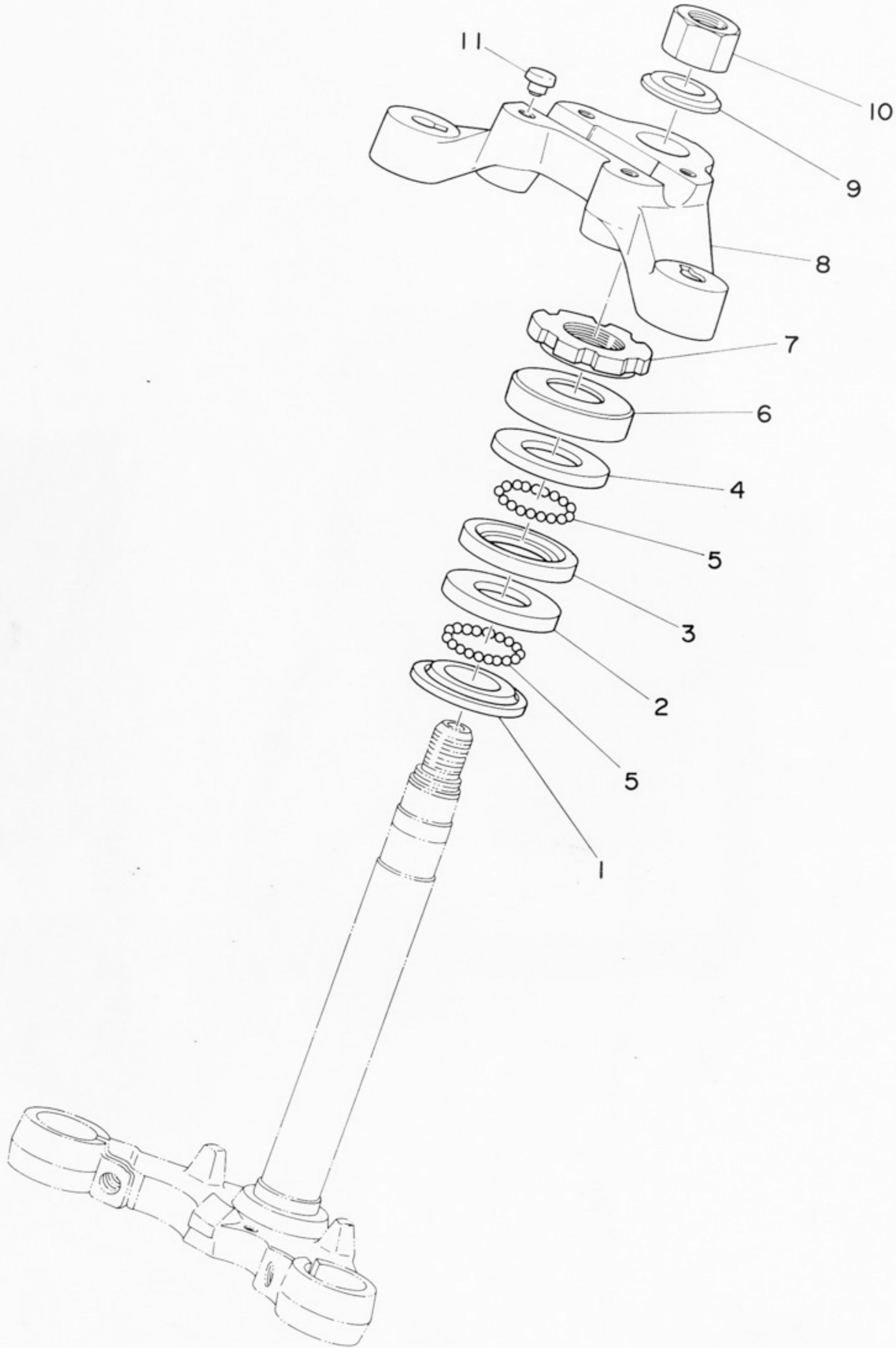


**YAMAHA****PARTS**

# FRONT FORK

Ref. No.	Parts No.	Description	Q'ty	Applicable Machine No.	Remarks
18- 0-1	400-23101-00	FRONT FORK ASS'Y .....	1		
18- 1	400-23126-00-33	. TUBE, outer left .....	1		Yamaha Black
18- 2	400-23136-00-33	. TUBE, outer right .....	1		Yamaha Black
18- 3	400-23141-00	. SPRING .....	2		
18- 4	252-23149-00	. WASHER, spring upper .....	2		
18- 5	400-23124-00	. TUBE, inner .....	2		
18- 6	164-23125-00	. METAL, slide .....	2		
18- 7	164-23147-00	. O-RING .....	2		
18- 8	307-23150-00	. OUTER NUT COMP. ....	2		
18- 9	307-23145-00	. . OIL SEAL .....	2		
18-10	252-23144-00	. SEAL, dust .....	2		
18-11	307-23114-00	. PACKING .....	2		
18-12	183-23112-00	. WASHER, cap .....	2		
18-13	307-23111-00	. BOLT, cap .....	2		
18-14	400-23340-00-33	. UNDER BRACKET COMP. ...	1		Yamaha Black
18-15	122-23346-01	. BOLT, under bracket .....	2		
18-16	122-23129-00	. GASKET, drain plug .....	2		
18-17	122-23119-01	. PLUG, drain .....	2		
18-18	122-23128-00	. BOLT .....	1		

Fig. 19 STEERING



**YAMAHA****PARTS**

# STEERING

Ref. No.	Parts No.	Description	Q'ty	Applicable Machine No.	Remarks
19- 1	156-23411-00	RACE, ball 1 .....	1		
19- 2	156-23412-00	RACE, ball 2 .....	1		
19- 3	183-23412-00	RACE, ball 2 .....	1		
19- 4	183-23411-00	RACE, ball 1 .....	1		
19- 5	93501-04011	BALL .....	38		
19- 6	136-23415-00	COVER, ball race .....	1		
19- 7	137-23454-00	NUT, fitting .....	1		
19- 8	307-23435-00-98	CROWN, handle .....	1		Frosting Black
19- 9	174-23443-00	WASHER, crown .....	1		
19-10	98803-16200	NUT .....	1		
19-11	116-83931-00	PLUG, blind .....	4		

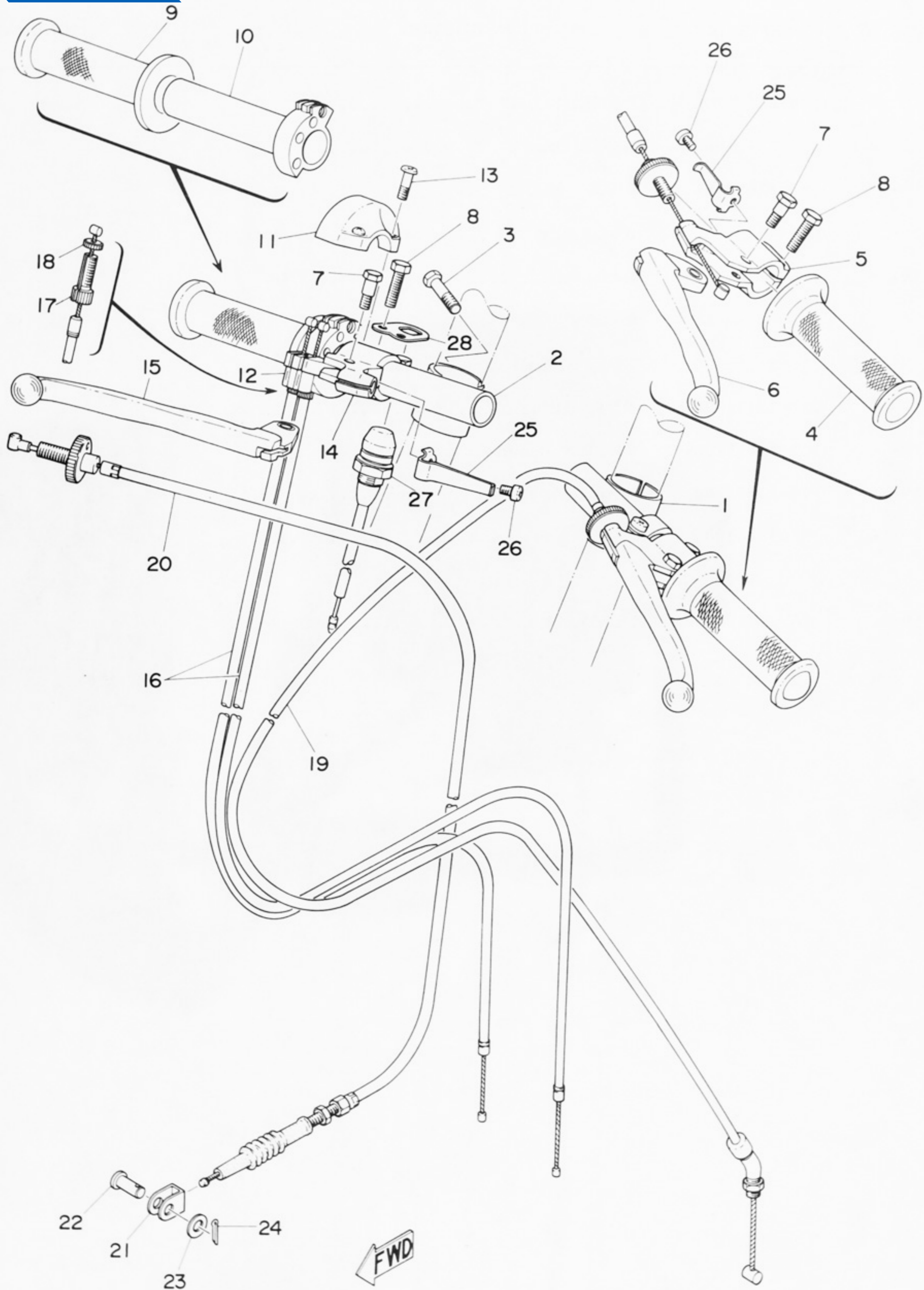




**YAMAHA**

**PARTS**

Fig. 20 HANDLE · WIRE



**YAMAHA****PARTS****HANDLE · WIRE**

Ref. No.	Parts No.	Description	Q'ty	Applicable Machine No.	Remarks
20- 1	307-26121-70-33	HANDLE, left .....	1		Yamaha Black
20- 2	307-26122-70-33	HANDLE, right .....	1		Yamaha Black
20- 3	97201-08030	BOLT .....	2		
20- 4	240-26241-00	GRIP, left .....	1		
20- 5	240-82811-00	HOLDER, lever left .....	1		
20- 6	150-83912-00	LEVER, left .....	1		
20- 7	152-83915-00	SCREW, lever fitting .....	2		
20- 8	91201-06025	BOLT .....	4		
20- 9	240-26242-00	GRIP, right .....	1		
20-10	400-26243-00	TUBE, guide .....	1		
20-11	256-26281-00	CAP, grip upper .....	1		
20-12	177-26282-01	CAP, grip under .....	1		
20-13	98501-05030	SCREW, panhead .....	2		
20-14	240-82821-00	HOLDER, lever right .....	1		
20-15	150-83922-00	LEVER, right .....	1		
20-16	400-26312-01	WIRE, throttle .....	2		
20-17	177-26253-01	BOLT, wire adjusting .....	2		
20-18	177-26251-00	NUT .....	2		
20-19	400-26335-00	WIRE, clutch .....	1		
20-20	400-26341-00	WIRE, brake .....	1		
20-21	156-26347-00	JOINT, wire .....	1		
20-22	156-27229-00	PIN, link joint 2 .....	1		
20-23	156-27226-00	WASHER, pedal link .....	2		



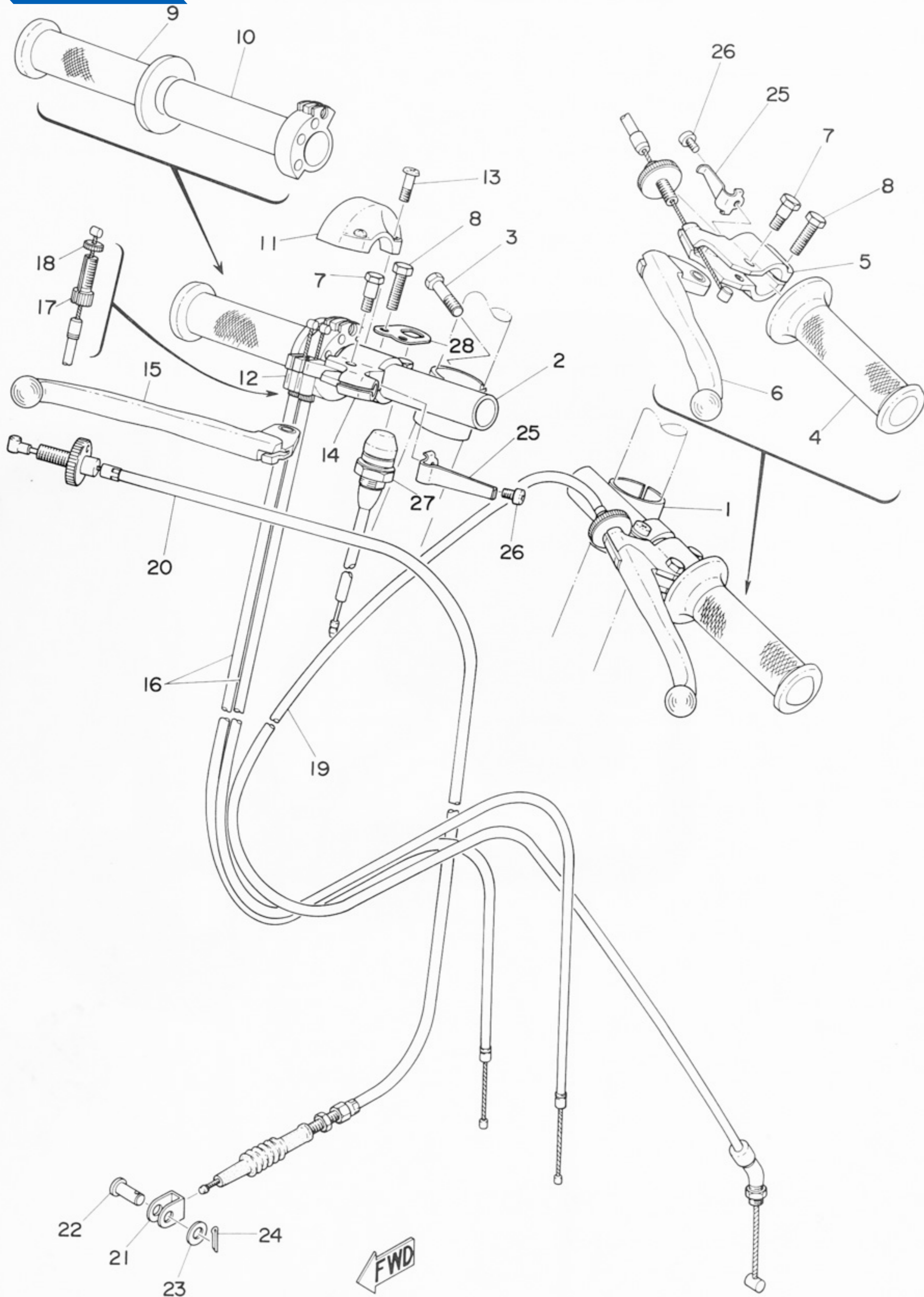




**YAMAHA**

**PARTS**

Fig. 20 HANDLE · WIRE





**YAMAHA**

**PARTS**

# HANDLE · WIRE

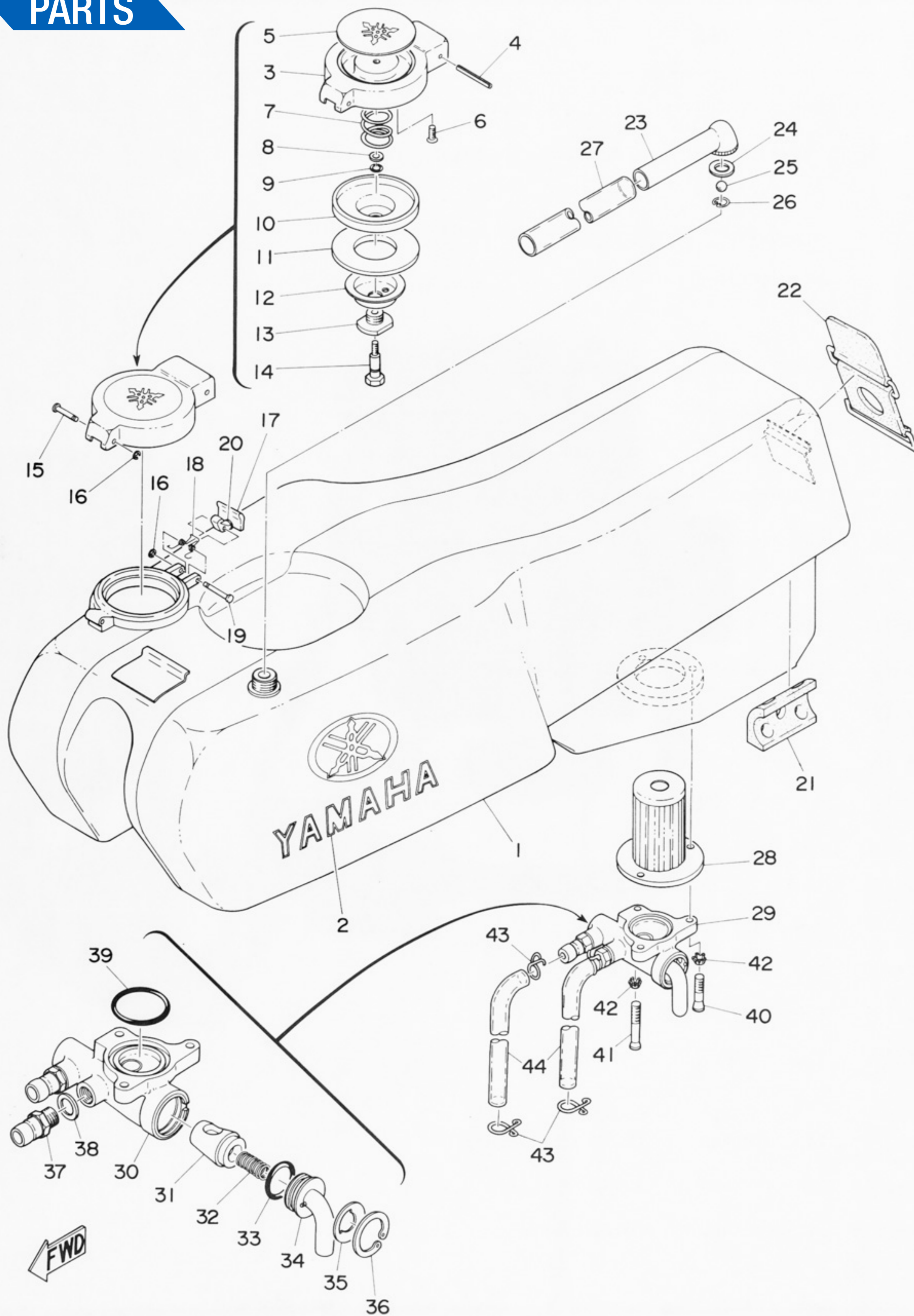
Ref. No.	Parts No.	Description	Q'ty	Applicable Machine No.	Remarks
20-24	91401-20012	PIN, cotter .....	2		
20-25	145-26368-00	SPRING, lock .....	2		
20-26	97601-05108	SCREW, panhead .....	2		
20-27	328-83976-00	SWITCH, handle 1 .....	1		
20-28	294-83974-00	HOLDER, handle switch .....	1		



**YAMAHA****PARTS****FUEL TANK**

Ref. No.	Parts No.	Description	Q'ty	Applicable Machine No.	Remarks
21- 1	400-24110-00-01	FUEL TANK COMP. ....	1		Cinquasia Red/White
21- 2	240-24161-00	. EMBLEM, fuel tank ....	2		
21- 3	256-24611-00	BODY, cap .....	1		
21- 4	91609-25032	PIN, spring .....	1		
21- 5	256-24614-00	PLATE, cap .....	1		
21- 6	98702-03008	SCREW, flathead .....	2		
21- 7	256-24621-00	SPRING, cap .....	1		
21- 8	92901-04100	WASHER, spring .....	1		
21- 9	93210-04122	O-RING (1.2-4.0) .....	1		
21-10	256-24613-00	DISK, cap .....	1		
21-11	256-24612-00	PACKING, cap .....	1		
21-12	256-24615-00	GASKET, plate .....	1		
21-13	256-24626-00	BOLT, cap .....	1		
21-14	256-24625-00	GUIDE, cap .....	1		
21-15	256-24623-00	PIN 1 .....	1		
21-16	93430-02001	CIRCLIP (E-1.9) .....	2		
21-17	256-24628-00	HOOK .....	1		
21-18	256-24637-00	SPRING .....	1		
21-19	256-24624-00	PIN 2 .....	1		
21-20	93210-06125	O-RING (1.9-5.8) .....	1		
21-21	240-24181-00	DAMPER, locating 1 .....	6		
21-22	240-24173-00	BAND, fuel tank .....	2		
21-23	143-24681-00	NUT, breather .....	1		

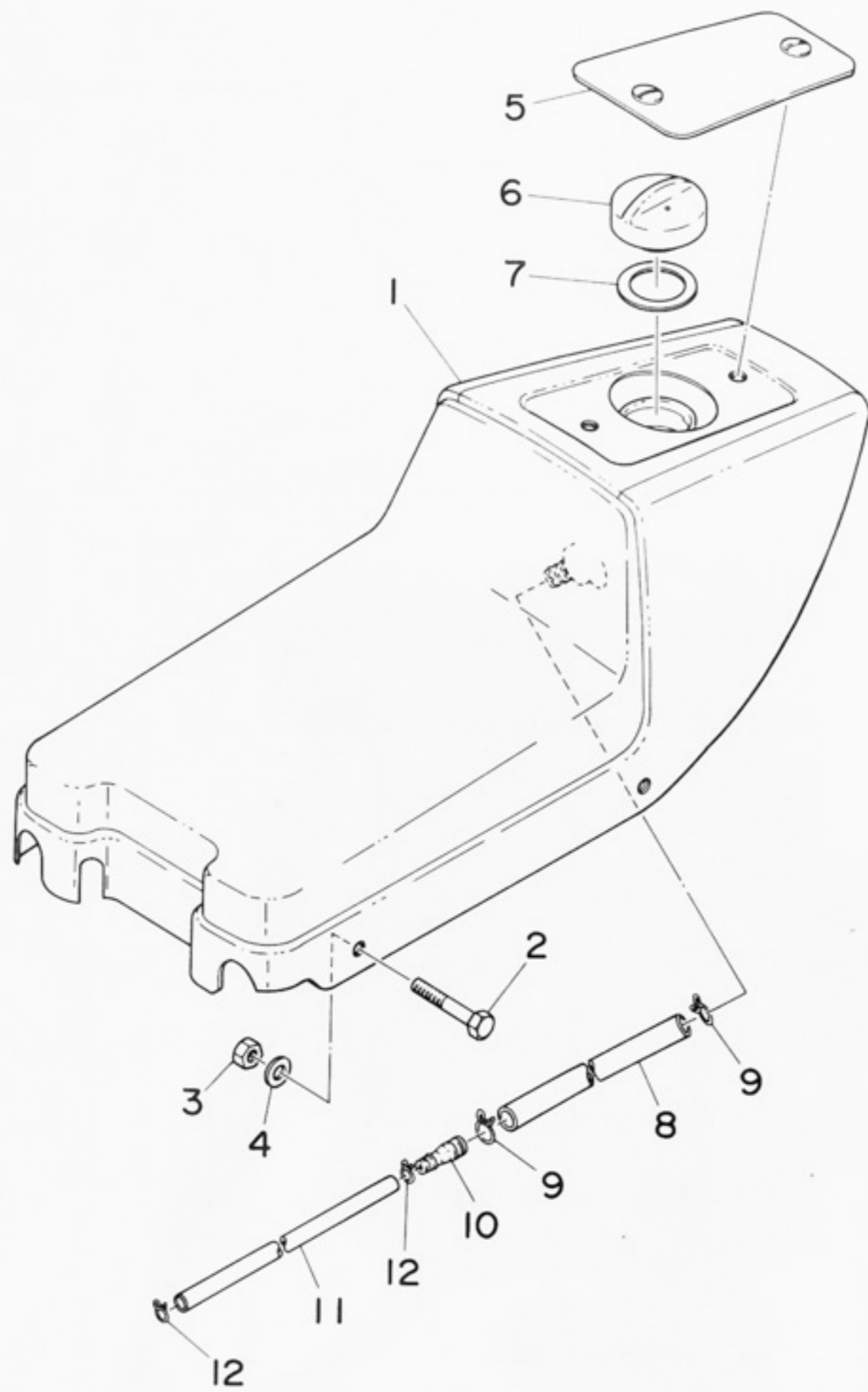
Fig. 21 FUEL TANK



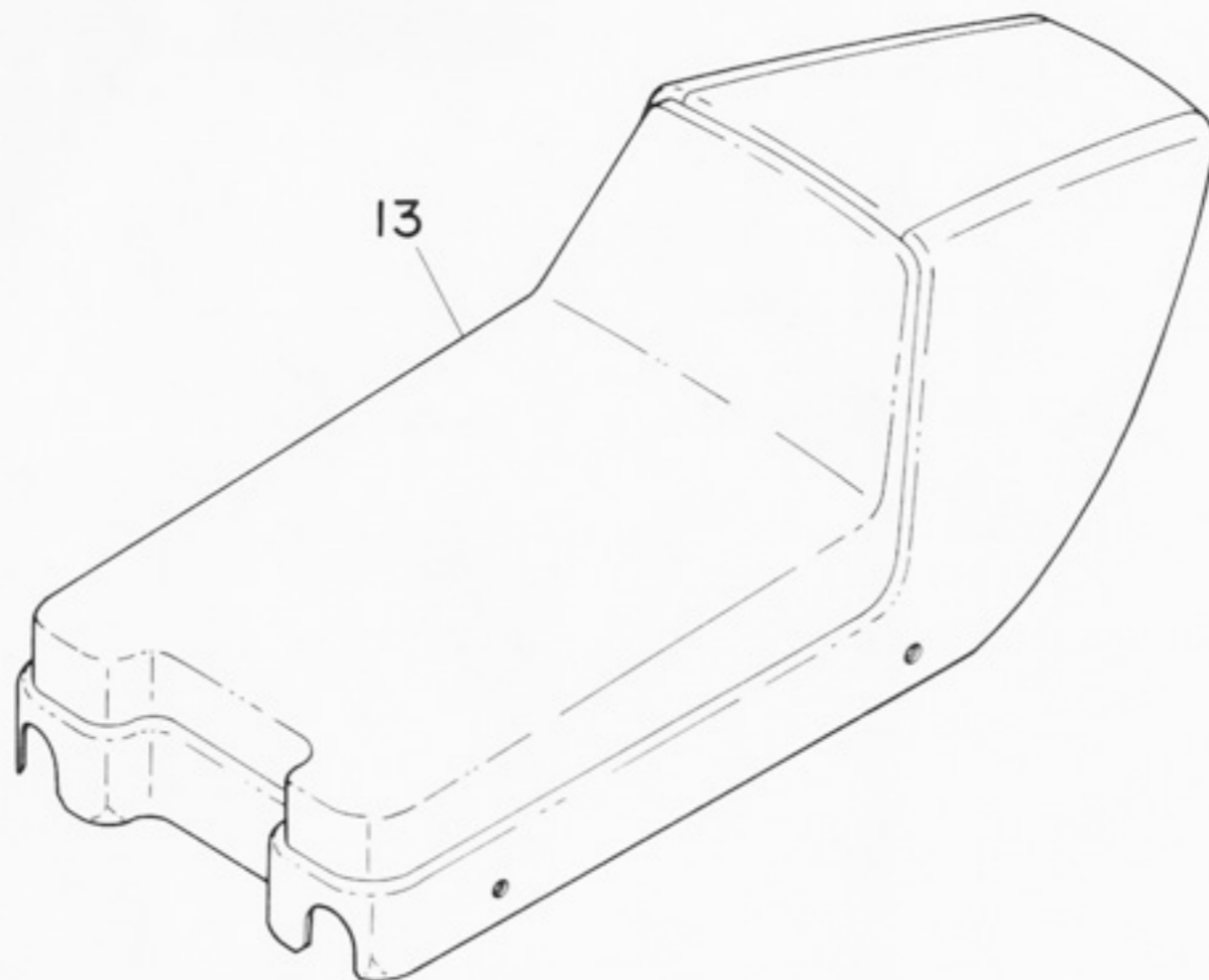
**YAMAHA****PARTS****FUEL TANK**

Ref. No.	Parts No.	Description	Q'ty	Applicable Machine No.	Remarks
21-24	143-24683-00	GASKET, breather nut .....	1		
21-25	143-24684-00	BALL, valve .....	1		
21-26	143-24685-00	CLIP, ball holder .....	1		
21-27	143-24318-00	PIPE, breather .....	1		
21-28	294-24167-00	STRAINER .....	1		
21-29	240-24500-00	FUEL COCK ASS'Y .....	1		
21-30	240-24511-00	. BODY, fuel cock .....	1		
21-31	240-24523-00	. VALVE .....	1		
21-32	145-24529-00	. SPRING .....	1		
21-33	240-24534-00	. SEAL, cock lever .....	1		
21-34	240-24524-00	. LEVER, cock .....	1		
21-35	240-24525-00	. PLATE, lever fitting .....	1		
21-36	240-24544-00	. RING, lever stop .....	1		
21-37	240-24537-00	. NIPPLE .....	2		
21-38	240-24528-00	. GASKET .....	2		
21-39	93210-38146	O-RING (1.7-38) .....	1		
21-40	98701-04026	SCREW, flathead .....	2		
21-41	98701-04035	SCREW, flathead .....	1		
21-42	92901-04500	WASHER, tooth .....	3		
21-43	143-24356-00	CLIP, pipe .....	4		
21-44	400-24311-00	PIPE, fuel .....	2		

Fig. 22 SEAT



ALTERNATE PARTS



**YAMAHA****PARTS**

# SEAT

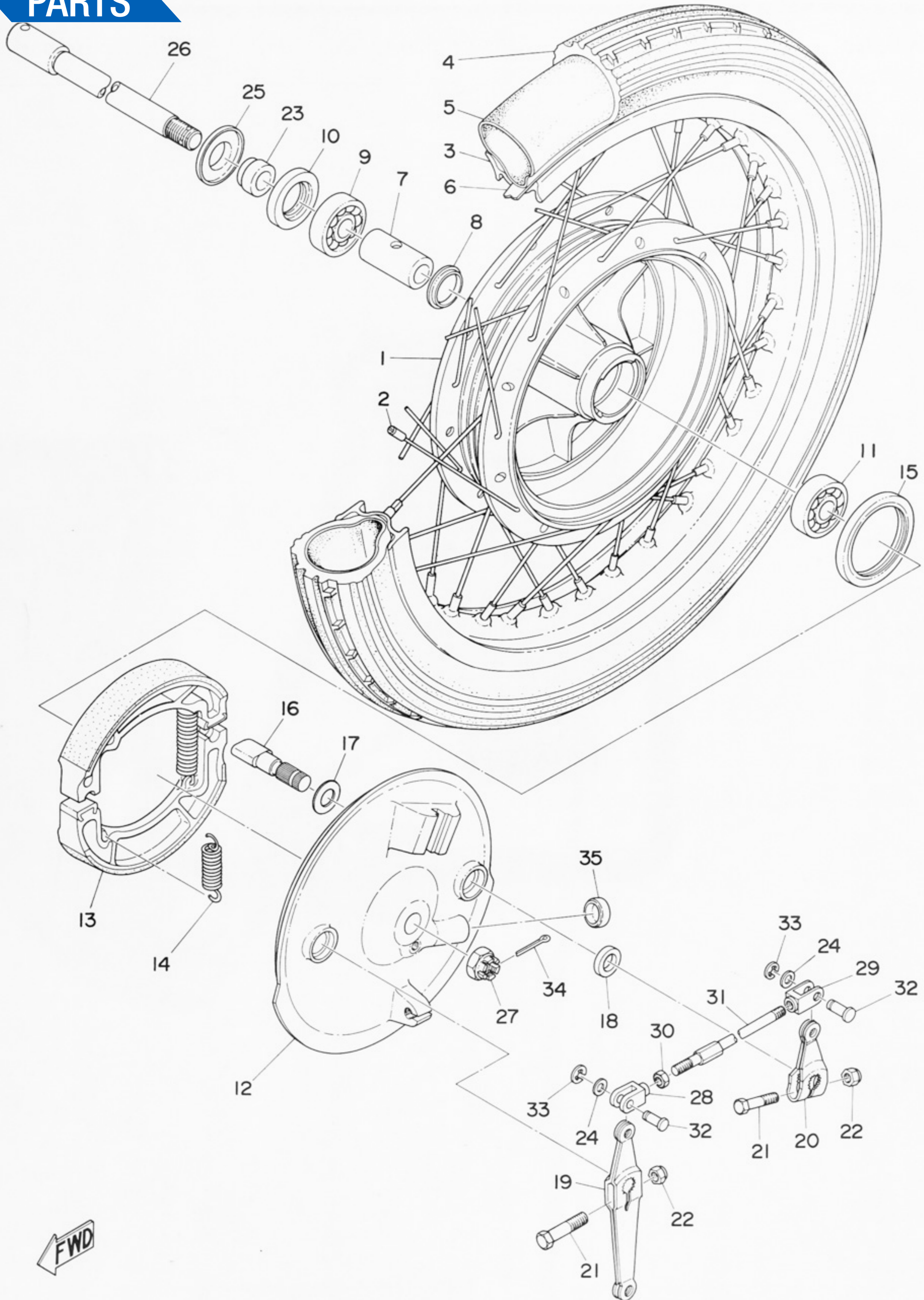
Ref. No.	Parts No.	Description	Q'ty	Applicable Machine No.	Remarks
22- 1	400-24710-11-01	SINGLE SEAT ASS'Y .....	1		Cinquasia Red Whit
22- 2	95201-06040	BOLT .....	4		
22- 3	145-28364-00	NUT, fitting .....	4		
22- 4	92901-06200	WASHER, plain .....	4		
22- 5	240-24732-00	COVER, plate .....	1		
22- 6	240-21770-01	OIL TANK CAP ASS'Y .....	1		
22- 7	240-21772-00	GASKET, cap (25.2-40-2) .....	1		
22- 8	240-21766-00	PIPE, oil (5-460) .....	1		
22- 9	143-24356-00	CLIP, pipe .....	2		
22-10	240-21743-00	CONNECTOR, oil pipe .....	1		
22-11	170-21766-00	PIPE, oil (5-540) .....	1		
22-12	101-24356-00	CLIP, pipe .....	2		
<b>ALTERNATE PARTS</b>					
22-13	400-24710-00-01	SINGLE SEAT ASS'Y .....	1		No oil tank







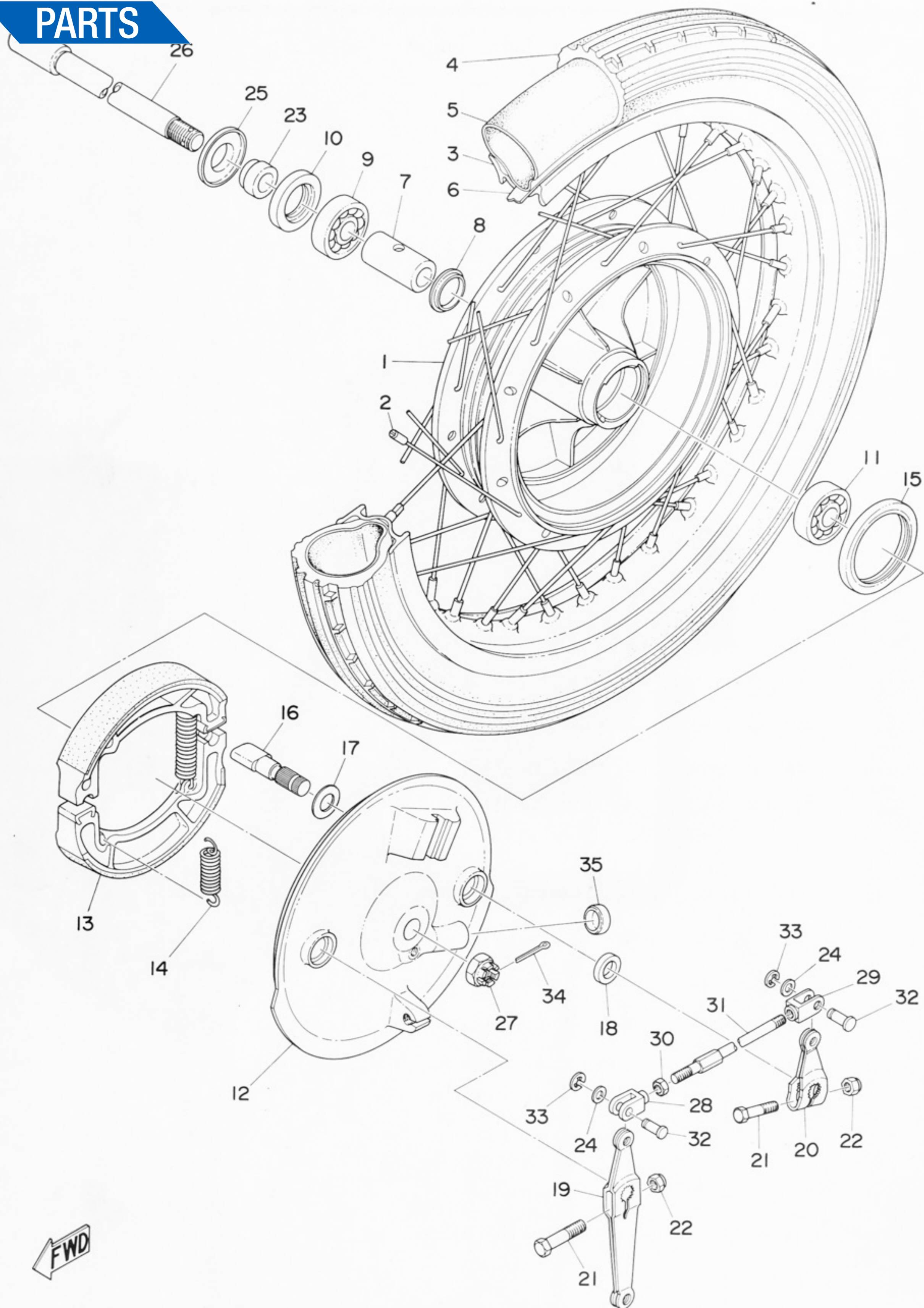
Fig. 23 FRONT WHEEL



**YAMAHA****PARTS****FRONT WHEEL**

Ref. No.	Parts No.	Description	Q'ty	Applicable Machine No.	Remarks
23- 1	246-25111-00	HUB .....	1		
23- 2	400-25104-00	SPOKE SET .....	1s		
23- 3	94416-18110	RIM (1.60A-18) .....	1		
23- 4	94125-18110	TIRE (2.50-18-4PR) .....	1		
23- 5	94225-18006	TUBE (2.50-18) .....	1		
23- 6	94330-18010	BAND, rim .....	1		
23- 7	136-25317-00	SPACER, bearing .....	1		
23- 8	148-25115-00	FLANGE, spacer .....	1		
23- 9	93306-30201	BEARING (6303Z) .....	1		
23-10	93102-22014	OIL SEAL (SD-22-42-7) .....	1		
23-11	93306-30203	BEARING (RS-15-35-11) .....	1		
23-12	337-25121-00	PLATE, brake shoe .....	1		
23-13	168-25130-00	BRAKE SHOE COMP. ....	2		
23-14	246-25333-00	SPRING, return .....	2		
23-15	93105-53013	OIL SEAL (SDD-53-65-7) .....	1		
23-16	246-25151-00	CAMSHAFT .....	2		
23-17	148-25353-00	SHIM, camshaft .....	2		
23-18	148-25359-00	SEAL, camshaft .....	2		
23-19	337-25155-00	LEVER, camshaft 1 .....	1		
23-20	337-25156-00	LEVER, camshaft 2 .....	1		
23-21	95201-06030	BOLT .....	2		
23-22	145-28364-00	NUT, fitting .....	2		
23-23	174-25183-00	COLLAR, wheel shaft .....	1		

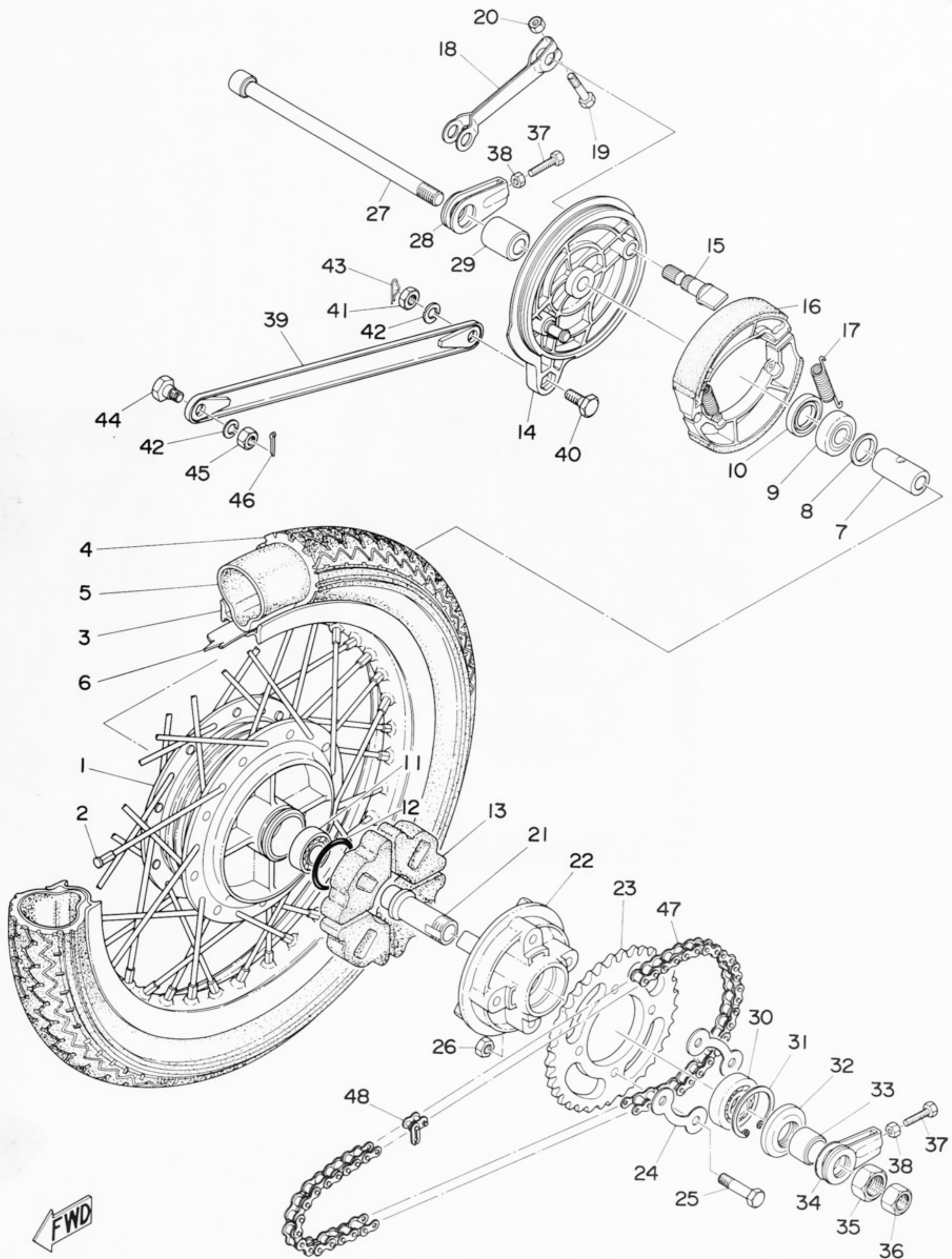
Fig. 23 FRONT WHEEL



**YAMAHA****PARTS****FRONT WHEEL**

Ref. No.	Parts No.	Description	Q'ty	Applicable Machine No.	Remarks
23-24	92901-06200	WASHER, plain .....	1		
23-25	246-25118-00	COVER, hub dust .....	1		
23-26	246-25181-00	SHAFT, wheel .....	1		
23-27	214-25182-01	NUT, wheel shaft .....	1		
23-28	152-25163-00	END, rod 1 .....	1		
23-29	152-25164-00	END, rod 2 .....	1		
23-30	98803-06300	NUT .....	1		
23-31	152-25161-00	ROD, connecting .....	1		
23-32	152-25165-00	PIN, rod end .....	2		
23-33	93430-04003	CIRCLIP (E-4) .....	2		
23-34	91401-30030	PIN, cotter .....	1		
23-35	288-25137-00	PLUG, blind .....	1		

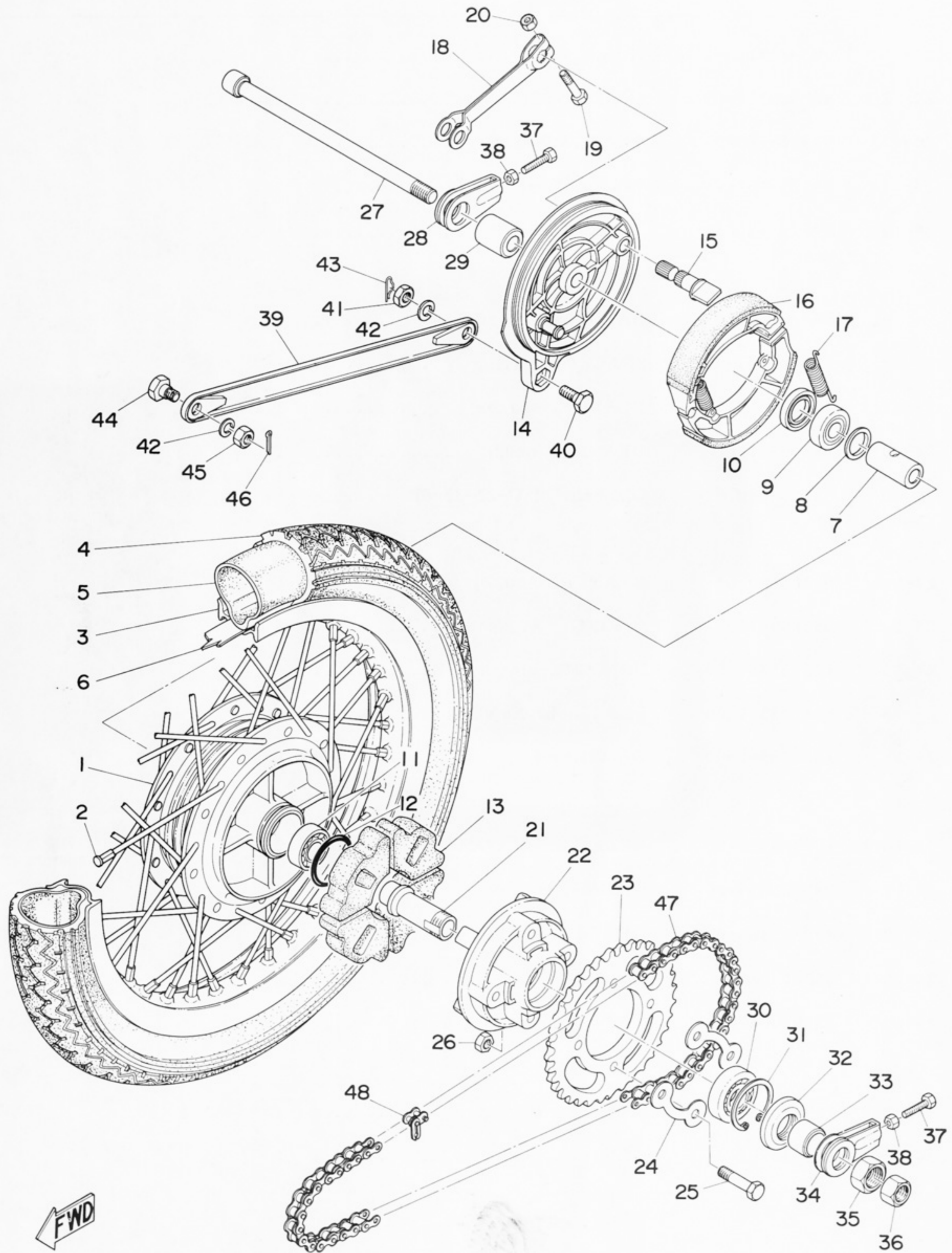
Fig. 24 REAR WHEEL



**YAMAHA****PARTS****REAR WHEEL**

Ref. No.	Parts No.	Description	Q'ty	Applicable Machine No.	Remarks
24- 1	183-25311-00	HUB .....	1		
24- 2	400-25304-00	SPOKE SET .....	1s		
24- 3	94416-18018	RIM (1.60A-18) .....	1		
24- 4	94125-18111	TIRE (2.50-18-4PR) .....	1		
24- 5	94225-18006	TUBE (2.50-18) .....	1		
24- 6	94330-18010	BAND, rim (2.50-18) .....	1		
24- 7	136-25317-00	SPACER, bearing .....	1		
24- 8	183-25315-00	FLANGE, spacer .....	1		
24- 9	93306-20201	BEARING (6202) .....	1		
24-10	93104-22018	OIL SEAL (SO-22-35-5) .....	1		
24-11	93306-20204	BEARING (6202Z) .....	1		
24-12	93210-42101	O-RING .....	4		
24-13	132-25364-00	DAMPER, clutch .....	4		
24-14	183-25321-00	PLATE, brake shoe .....	1		
24-15	183-35351-00	CAMSHAFT .....	1		
24-16	183-25330-00	BRAKE SHOE COMP. ....	2		
24-17	183-25333-00	SPRING, return .....	2		
24-18	400-25355-00	LEVER, camshaft .....	1		
24-19	95201-06025	BOLT .....	1		
24-20	98801-06100	NUT .....	1		
24-21	183-25387-00	SHAFT, sprocket .....	1		
24-22	183-25366-01	CLUTCH, hub .....	1		

Fig. 24 REAR WHEEL





# YAMAHA

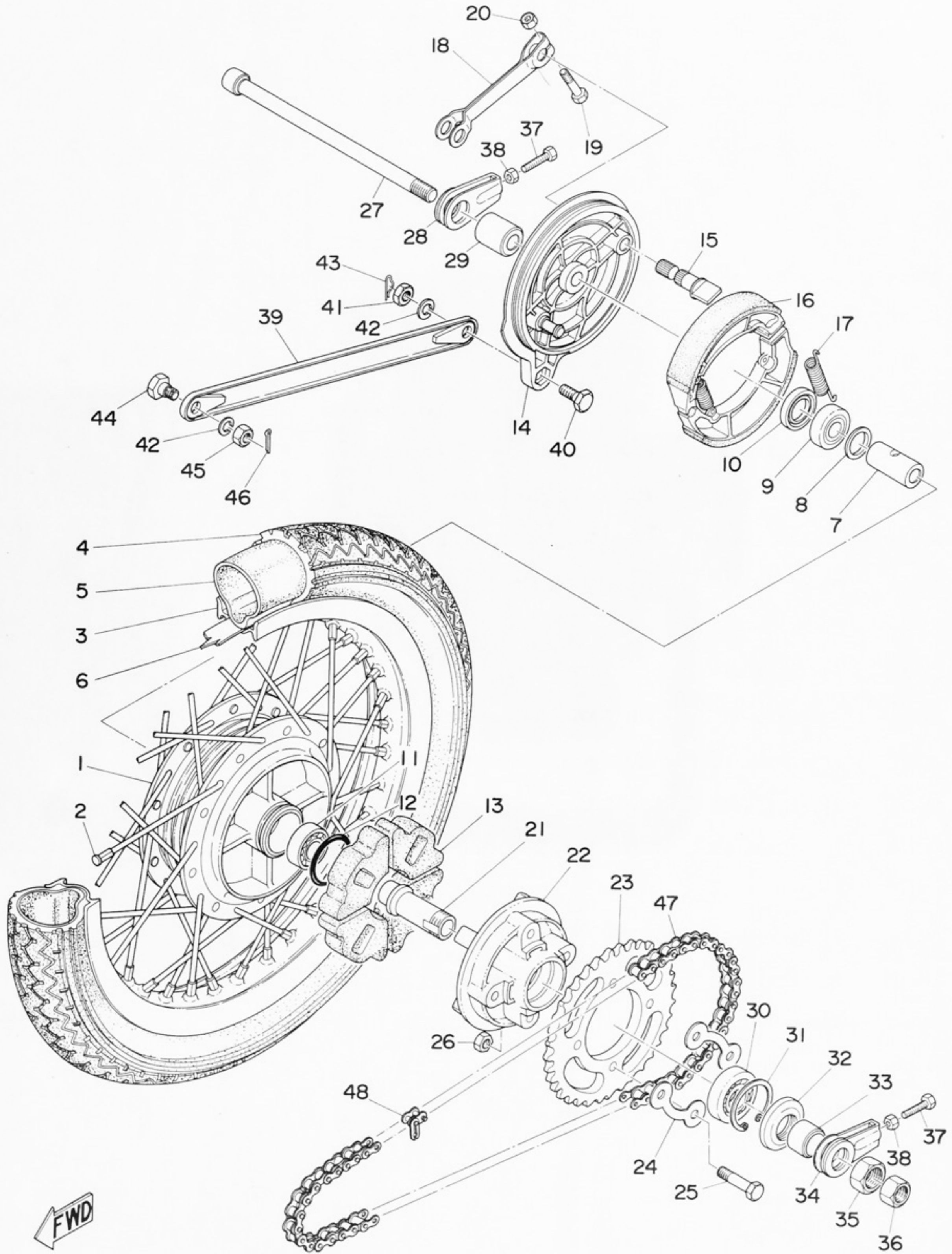
## PARTS

### REAR WHEEL

Ref. No.	Parts No.	Description	Q'ty	Applicable Machine No.	Remarks
24-23	183-25434-10	GEAR, sprocket wheel (34T) ..	} U.R 1		STD
	183-25435-10	GEAR, sprocket wheel (35T) ..			
	183-25436-10	GEAR, sprocket wheel (36T) ..			
	183-25437-10	GEAR, sprocket wheel (37T) ..			
	183-25438-10	GEAR, sprocket wheel (38T) ..			
24-24	102-25412-00	WASHER, lock .....	2		
24-25	207-25411-00	BOLT, fitting .....	4		
24-26	98801-08200	NUT .....	4		
24-27	183-25381-00	SHAFT, wheel .....	1		
24-28	248-25388-00	PULLER, chain right .....	1		
24-29	183-25383-00	COLLAR, wheel shaft .....	1		
24-30	93306-00406	BEARING (6004Z) .....	1		
24-31	93420-42007	CIRCLIP (R-42) .....	1		
24-32	93106-26005	OIL SEAL (DD-26-42-8) .....	1		
24-33	183-25386-10	COLLAR, sprocket shaft .....	1		
24-34	214-25388-00	PULLER, chain left .....	1		
24-35	137-25385-00	NUT, sprocket shaft .....	1		
24-36	95301-14200	NUT .....	1		
24-37	168-25379-00	BOLT, chain puller .....	2		
24-38	98801-08300	NUT .....	2		
24-39	400-25371-00	BAR, tension .....	1		
24-40	109-25373-00	BOLT, tension bar .....	1		
24-41	98801-08300	NUT .....	1		



Fig. 24 REAR WHEEL





**YAMAHA**

**PARTS**

# REAR WHEEL

Ref. No.	Parts No.	Description	Q'ty	Applicable Machine No.	Remarks
24-42	92901-08100	WASHER, spring .....	2		
24-43	102-25375-00	CLIP, tension bar .....	1		
24-44	183-25378-00	BOLT, tension bar .....	1		
24-45	98801-08100	NUT .....	1		
24-46	91401-20012	PIN, cotter .....	1		
24-47	94514-28109	CHAIN (DK428HD-110L) .....	1		
24-48	94614-28031	. JOINT, chain .....	1		

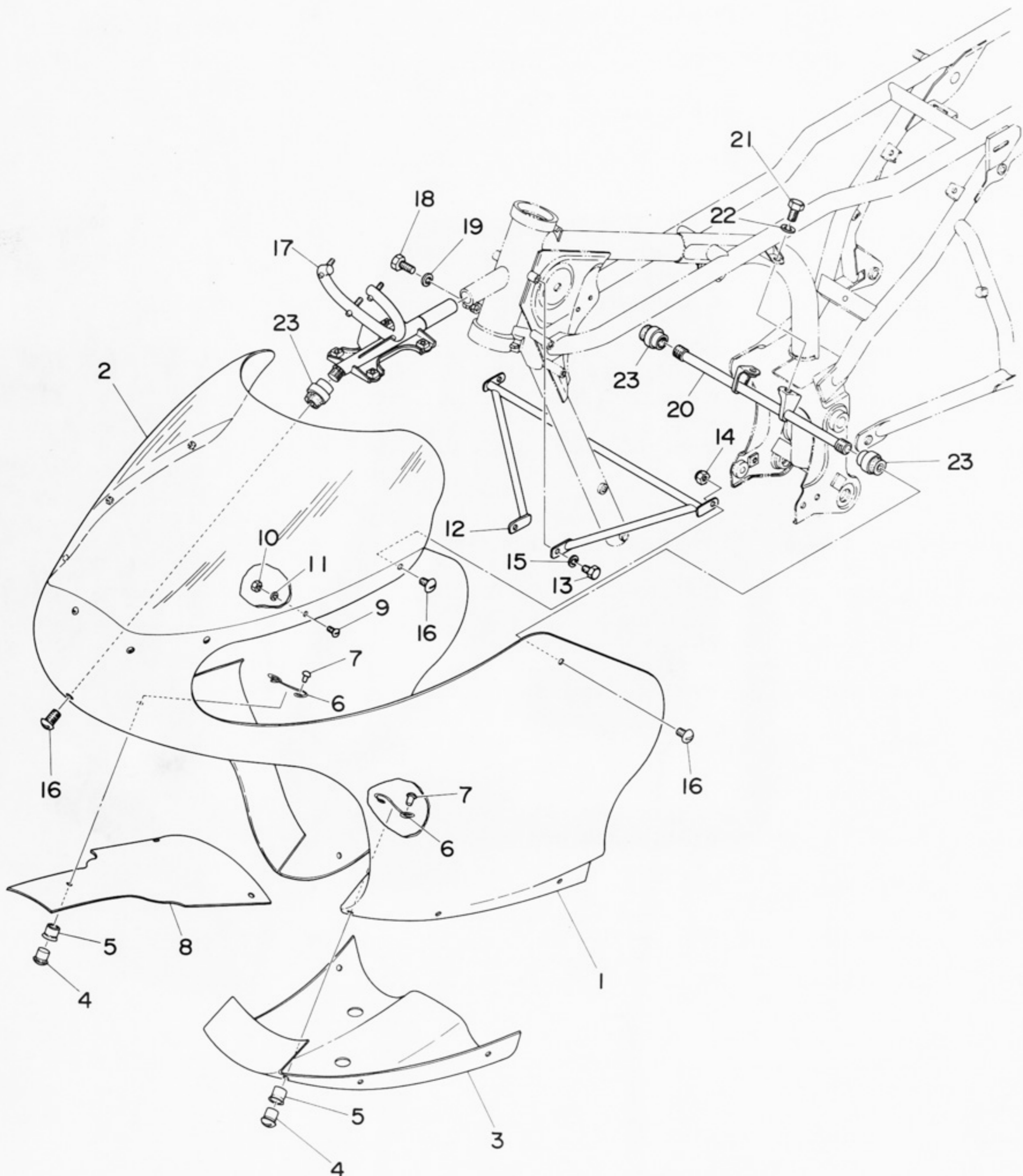


**YAMAHA****PARTS**

## TACHOMETER · ELECTRICAL

Ref. No.	Parts No.	Description	Q'ty	Applicable Machine No.	Remarks
25- 1	400-83540-70	TACHOMETER ASS'Y .....	1		
25- 2	143-83543-00	DAMPER, bracket .....	4		
25- 3	177-83546-00	BOLT .....	4		
25- 4	98801-05500	NUT, slotted .....	8		
25- 5	91401-10012	PIN, cotter .....	8		
25- 6	400-83560-00	TACHOMETER CABLE ASS'Y ..	1		
25- 7	328-85540-10	C.D.I UNIT ASS'Y .....	1		
25- 8	91201-06025	BOLT .....	4		
25- 9	92901-06100	WASHER, spring .....	4		
25-10	92901-06200	WASHER, plain .....	4		
25-11	136-22316-00	WASHER, special (6.5-12-1.2) ..	4		
25-12	328-82310-60	IGNITION COIL ASS'Y .....	2		
25-13	91203-06020	BOLT .....	4		
25-14	92901-06100	WASHER, spring .....	4		
25-15	294-82370-00	PLUG CAP ASS'Y .....	2		
25-16	307-82116-00	WIRE, minus lead .....	1		
25-17	168-83936-01	BAND, switch cord .....	4		
25-18	256-83936-01	BAND, switch cord .....	1		
25-19	214-82599-00	COVER, connector .....	1		

Fig. 26 COWLING



**YAMAHA****PARTS****COWLING**

Ref. No.	Parts No.	Description	Q'ty	Applicable Machine No.	Remarks
26- 1	400-28350-00-01	COWLING ASS'Y .....	1		
26- 2	400-28381-00	. WINDOW, front .....	1		
26- 3	400-28385-00	. COVER, under .....	1		
26- 4	240-28386-00	. HEAD .....	9		
26- 5	240-28389-00	. EYELET .....	9		
26- 6	240-28388-00	. SPRING .....	9		
26- 7	240-28387-00	. RIVET .....	22		
26- 8	400-28384-00	. COVER, upper .....	1		
26- 9	240-28328-00	SCREW, front window .....	7		
26-10	98802-04100	NUT .....	7		
26-11	92901-04100	WASHER, spring .....	7		
26-12	400-28357-00-33	STAY, window .....	1		Yamaha Black
26-13	91203-06010	BOLT .....	2		
26-14	145-28364-00	NUT, fitting .....	2		
26-15	92901-06100	WASHER, spring .....	2		
26-16	143-28353-00	SCREW, fitting .....	5		
26-17	400-28356-00-33	STAY, cowling front .....	1		Yamaha Black
26-18	97201-08020	BOLT .....	1		
26-19	92901-08100	WASHER, spring .....	1		
26-20	400-28358-00-33	STAY, cowling rear .....	1		Yamaha Black
26-21	97201-08015	BOLT .....	2		
26-22	92901-08100	WASHER, spring .....	2		
26-23	240-28371-00-33	DAMPER .....	3		Yamaha Black







# NUMERICAL INDEX









### NUMERICAL INDEX

Ref No.	Parts No.	Ref No.	Parts No.	Ref No.	Parts No.
22-12	101-24356-00	4-15	132-15631-00	10- 2	137-14143-44
5-25	102-17462-00	2- 7	132-16345-00	10- 3	137-14153-00
5-27	102-17463-00	2- 8	132-16346-00	10- 8	137-14186-00
5-28	102-17464-00	4- 8	132-16351-00	6-23	137-15353-00
15- 8	102-22243-00	4- 4	132-16371-02	4- 5	137-16325-00
24-43	102-25375-00	5- 3	132-17216-00	4- 6	137-16325-70
24-24	102-25412-00	5-18	132-17216-00	4-10	137-16337-01
1-16	109-11361-00	5- 4	132-17414-00	4-13	137-16356-00
24-40	109-25373-00	5-17	132-17414-00	4-12	137-16377-00
19-11	116-83931-00	7- 2	132-18123-00	19- 7	137-23454-00
1-24	120-15371-09	7- 3	132-18124-00	24-35	137-25385-00
3- 7	122-11681-00	7- 4	132-18133-00	21-27	143-24318-00
4-16	122-16164-00	7- 7	132-18137-00	21-43	143-24356-00
18-17	122-23119-01	6-14	132-18140-01	22- 9	143-24356-00
18-18	122-23128-00	6-16	132-18143-00	21-23	143-24681-00
18-16	122-23129-00	6-15	132-18177-00	21-24	143-24683-00
18-15	122-23346-01	24-13	132-25364-00	21-25	143-24684-00
1-22	126-11171-60	15- 9	135-22243-00	21-26	143-24685-00
12- 1	126-13116-00	3-18	136-11561-00-03	16-13	143-27229-00
12-26	126-13116-00	3-18	136-11561-00-04	26-16	143-28353-00
10-26	127-14124-20	3-18	136-11561-00-05	25- 2	143-83543-00
10-16	127-14134-00	3-18	136-11561-00-06	7-12	144-18118-00
4- 3	131-16154-00	3-18	136-11561-00-07	11- 4	145-14683-00
3- 2	132-11422-03	3-18	136-11561-00-08	11-10	145-14775-00
3- 3	132-11432-03	25-11	136-22316-00	21-32	145-24529-00
3-12	132-11511-02	19- 6	136-23415-00	20-25	145-26368-00
3-17	132-11515-01	23- 7	136-25317-00	22- 3	145-28364-00
3- 9	132-11561-00-03	24- 7	136-25317-00	23-22	145-28364-00
3- 9	132-11561-00-05	1-29	136-82543-00	26-14	145-28364-00
3-29	132-11634-00	12-11	137-13128-00	3-32	146-11545-00
3- 8	132-11685-00	1-32	137-13167-00	23- 8	148-25115-00
12-23	132-13166-00	12-22	137-13167-00	23-17	148-25353-00
12- 6	132-13178-01	12- 4	137-13176-00	23-18	148-25359-00
10-32	132-14179-00	12-19	137-13187-00	20- 6	150-83912-00
11- 3	132-14613-00	10- 2	137-14143-36	20-15	150-83922-00
1-14	132-15351-00	10- 2	137-14143-38	10-15	152-14123-00
1-15	132-15353-00	10- 2	137-14143-40	23-31	152-25161-00
5- 9	132-15389-00	10- 2	137-14143-42	23-28	152-25163-00

**YAMA****PARTS****NUMERICAL INDEX**

Ref No.	Parts No.	Ref No.	Parts No.	Ref No.	Parts No.
23-29	152-25164-00	23-23	174-25183-00	24-23	183-25438-10
23-32	152-25165-00	20-18	177-26251-00	14- 7	183-28100-10
20- 7	152-83915-00	20-17	177-26253-01	24-15	183-35351-00
19- 1	156-23411-00	20-12	177-26282-01	10- 1	193-14142-40
19- 2	156-23412-00	25- 3	177-83546-00	10-22	204-14131-00
20-21	156-26347-00	1-20	183-11181-00	24-25	207-25411-00
20-23	156-27226-00	3- 1	183-11412-02	12-21	214-13161-00
20-22	156-27229-00	3-14	183-11512-00	12-16	214-13162-00
12-25	161-15426-00	3-30	183-11611-70	12-17	214-13164-00
10-20	164-14137-00	3-28	183-11633-00	10- 5	214-14195-00
3-25	164-16119-00	3- 5	183-11651-71	8- 6	214-17811-01
4-11	164-16119-00	2- 2	183-15418-01	8-10	214-17812-00
5-21	164-17427-00-08	2- 3	183-15448-00	8- 9	214-17815-00
5-21	164-17427-00-10	3-23	183-16136-00	8-13	214-17843-00
5-21	164-17427-00-12	4-14	183-16181-00	8- 8	214-17847-00
6- 4	164-18551-00	4- 9	183-16333-70	23-27	214-25182-01
6- 3	164-18552-00	6- 2	183-18511-00	24-34	214-25388-00
6-11	164-18561-00	6- 6	183-18512-00	25-19	214-82599-00
6-18	164-18571-00	6- 7	183-18513-00	8- 1	237-17681-00
6-17	164-18572-00	6- 1	183-18541-01	11- 9	240-14764-00
15- 5	164-22216-00	18-12	183-23112-00	11- 8	240-14773-00
18- 6	164-23125-00	19- 4	183-23411-00	7- 9	240-18113-00
18- 7	164-23147-00	19- 3	183-23412-00	16- 6	240-18113-00
10- 4	168-14190-25	24- 1	183-25311-00	7-14	240-18116-10
23-13	168-25130-00	24- 8	183-25315-00	7-15	240-18117-10
24-37	168-25379-00	24-14	183-25321-00	22-10	240-21743-00
25-17	168-83936-01	24-16	183-25330-00	22- 8	240-21766-00
10-33	170-14178-00	24-17	183-25333-00	22- 6	240-21770-01
22-11	170-21766-00	24-22	183-25366-01	22- 7	240-21772-00
12- 2	174-13175-00	24-44	183-25378-00	21- 2	240-24161-00
5-26	174-17461-40	24-27	183-25381-00	21-22	240-24173-00
5-26	174-17461-50	24-29	183-25383-00	21-21	240-24181-00
5-26	174-17461-60	24-21	183-25387-00	21-29	240-24500-00
5-26	174-17461-70	24-33	183-25386-10	21-30	240-24511-00
6- 9	174-18544-00	24-23	183-25434-10	21-31	240-24523-00
6-22	174-18558-00	24-23	183-25435-10	21-34	240-24524-00
6-24	174-18578-00	24-23	183-25436-10	21-35	240-24525-00
19- 9	174-23443-00	24-23	183-25437-10	21-38	240-24528-00

**YAMAHA****PARTS****NUMERICAL INDEX**

Ref No.	Parts No.	Ref No.	Parts No.	Ref No.	Parts No.
21-33	240-24534-00	21-11	256-24612-00	16-15	294-27236-00
21-37	240-24537-00	21-10	256-24613-00	16-16	294-27239-00
21-36	240-24544-00	21- 5	256-24614-00	25-15	294-82370-00
22- 5	240-24732-00	21-12	256-24615-00	20-28	294-83974-00
20- 4	240-26241-00	21- 7	256-24621-00	1-21	307-11111-70-94
20- 9	240-26242-00	21-15	256-24623-00	1-18	307-11311-71
16- 1	240-27400-00	21-19	256-24624-00	1-19	307-11321-71
16- 2	240-27413-00	21-14	256-24625-00	1-17	307-11351-00
26- 9	240-28328-00	21-13	256-24626-00	3-15	307-11541-00
26-23	240-28371-00-33	21-17	256-24628-00	3-27	307-11631-70-97
26- 4	240-28386-00	21-18	256-24637-00	3-27	307-11631-70-98
26- 7	240-28387-00	20-11	256-26281-00	3-27	307-11631-70-99
26- 6	240-28388-00	25-18	256-83936-01	9-10	307-13577-70
26- 5	240-28389-00	12-20	278-13161-00	10- 0-1	307-14101-71
20- 5	240-82811-00	12-14	278-13169-00	10- 0-2	307-14102-71
20-14	240-82821-00	9- 1	278-13555-00	10-39	307-14149-70
1-26	241-15357-00	9- 4	278-13575-00	9- 5	307-14456-00
2- 4	241-16341-01	10-18	278-14113-10	9- 6	307-14486-70
2- 6	241-16342-00	10-18	278-14112-10	11- 1	307-14610-71
4-20	241-16343-00	10-11	278-14115-00	11- 2	307-14620-71
10-23	246-14126-00	10-12	278-14117-00	11- 6	307-14771-70-33
23- 1	246-25111-00	10-38	278-14151-00	2-22	307-15363-00
23-25	246-25118-00	10-36	278-14169-00	2- 1	307-15410-00
23-16	246-25151-00	10-28	278-14171-00	2-20	307-15416-00
23-26	246-25181-00	10-31	278-14174-00	2-11	307-15417-00
23-14	246-25333-00	10-35	278-14175-00	2-15	307-15421-00
1-25	248-15373-00	10- 9	278-14181-00	4- 1	307-16150-00
5-22	248-17429-00	10- 9	278-14183-00	4-18	307-16357-00
8- 2	248-17831-00	10-10	278-14184-00	5- 7	307-17121-70
8- 3	248-17837-00	10-37	278-14251-00	5- 6	307-17131-00
8- 4	248-17841-00	10-17	280-14141-20	5-20	307-17211-70
24-28	248-25388-00	10- 6	280-14185-00	5-14	307-17221-70
2-16	252-15451-00	10- 7	280-14187-00	5-11	307-17471-00
18-10	252-23144-00	1-28	288-18588-00	7- 1	307-18101-01
18- 4	252-23149-00	23-35	288-25137-00	7- 8	307-18111-71-91
10-29	256-14135-00	12-24	293-13174-00	7-17	307-18112-00-93
10-21	256-14936-00	9- 9	294-14491-00	7-13	307-18115-71
21- 3	256-24611-00	21-28	294-24167-00	6-20	307-18533-00

**YAMAHA****PARTS****NUMERICAL INDEX**

Ref No.	Parts No.	Ref No.	Parts No.	Ref No.	Parts No.
14- 2	307-21315-00-33	2-12	400-15415-00	26-20	400-28358-00-33
15- 2	307-22123-00	4- 0-1	400-16301-00	26- 2	400-28381-00
18-13	307-23111-00	4- 7	400-16321-00	26- 8	400-28384-00
18-11	307-23114-00	5-15	400-17231-00	26- 3	400-28385-00
18- 9	307-23145-00	5- 1	400-17410-00	25- 1	400-83540-70
18- 8	307-23150-00	14- 1	400-21110-00-33	25- 6	400-83560-00
19- 8	307-23435-00-98	17- 1	400-21510-00-A6	13- 0-1	400-85500-12
20- 1	307-26121-70-33	17- 4	400-21610-00	13- 2	400-85510-10
20- 2	307-26122-70-33	15- 1	400-22110-00-33	13- 1	400-85550-11
25-16	307-82116-00	15- 6	400-22210-00	10-19	644-14116-15
11- 5	322-14684-10	15-10	400-22241-00	10-24	802-14158-00
13- 3	322-85543-10	18- 0-1	400-23101-00	10-25	802-14161-00
25-12	328-82310-60	18- 5	400-23124-00	10-27	802-14169-00
20-27	328-83976-00	18- 1	400-23126-00-33	10-30	802-14173-00
13-13	328-85515-10	18- 2	400-23136-00-33	15- 3	90109-12172
25- 7	328-85540-10	18- 3	400-23141-00	7-18	91101-06030
13- 7	328-85559-10	18-14	400-23340-00-33	16- 8	91201-06025
2-23	336-15439-70	21- 1	400-24110-00-01	20- 8	91201-06025
23-12	337-25121-00	21-44	400-24311-00	25- 8	91201-06025
23-19	337-25155-00	22- 1	400-24710-11-01	26-13	91203-06010
23-20	337-25156-00	22-13	400-24710-00-01	25-13	91203-06020
3-33	353-11546-00	23- 2	400-25104-00	25- 5	91401-10012
12-13	353-13552-00	24- 2	400-25304-00	12-12	91401-12018
3-26	353-16144-00	24-18	400-25355-00	20-24	91401-20012
3- 4	389-11442-00	24-39	400-25371-00	24-46	91401-20012
1- 1	389-15111-00	20-10	400-26243-00	7-11	91401-20018
1- 5	389-15118-00	20-16	400-26312-01	6- 5	91401-25020
1- 2	389-15121-00	20-19	400-26335-00	23-34	91401-30030
1- 4	389-15128-00	20-20	400-26341-00	21- 4	91609-25032
3-24	389-16111-00	16-12	400-26351-01	1-12	91810-02014
5- 5	389-17141-00	16-10	400-26396-00	2-17	91810-02014
5- 2	389-17151-00	16- 5	400-27211-00-91	1- 3	91810-05016
5-16	389-17241-00	16- 7	400-27216-00	1-31	92501-06008
5-19	389-17251-00	16-17	400-27237-00	8-11	92501-06010
5-13	389-17421-00	16-18	400-27238-00	1-10	92501-06012
3- 0-1	400-11400-00	26- 1	400-28350-00-01	5-12	92501-06012
12- 0-1	400-13101-00	26-17	400-28356-00-33	17- 5	95201-06015
1-27	400-15398-00	26-12	400-28357-00-33	2-14	92501-06020



## NUMERICAL INDEX

Ref No.	Parts No.	Ref No.	Parts No.	Ref No.	Parts No.
2-21	95201-06025	26-22	92901-08100	4- 2	93341-22302
24-19	95201-06025	11-11	92901-08200	24-31	93420-42007
2-18	92501-06030	12- 7	92901-08400	21-16	93430-02001
2- 9	92501-06035	16- 3	92901-10100	6-10	93430-03014
2-19	92501-06040	10-14	92902-04100	16-14	93430-04002
22- 2	95201-06040	12-10	93101-10001	23-33	93430-04003
1- 6	92501-06055	12- 5	93101-10002	7-21	93430-06005
1- 7	92501-06060	7- 6	93101-12004	16-19	93430-06005
2-10	92501-06060	3-20	93102-20117	7-10	93430-10016
1- 9	92501-06095	23-10	93102-22014	6-19	93440-15012
1- 8	92501-06105	5-24	93102-28021	3-11	93450-52010
1-11	92501-06120	3-21	93103-28011	4-17	93501-04004
13- 9	92901-04100	2- 5	93104-11028	19- 5	93501-04011
21- 8	92901-04100	24-10	93104-22018	6-21	93505-16006
26-11	92901-04100	23-15	93105-53013	12-15	93505-32002
21-42	92901-04500	24-32	93106-26005	1-13	93603-14026
13-12	92901-05027	21- 9	93210-04122	12- 3	93603-22028
6-13	92901-05100	21-20	93210-06125	3-13	93604-18058
13- 5	92901-05100	8- 7	93210-07100	6- 8	93604-22050
13-11	92901-05100	8- 5	13210-13016	23- 4	94125-18110
13- 6	92901-05200	3-22	93210-18023	24- 4	94125-18111
7-19	92901-06100	21-39	93210-38146	23- 5	94225-18006
8-12	92901-06100	11- 7	93210-38243	24- 5	94225-18006
9- 8	92901-06100	24-12	93210-42101	23- 6	94330-18010
17- 6	92901-06100	3-16	93210-48045	24- 6	94330-18010
25- 9	92901-06100	10-34	93220-09001	24- 3	94416-18018
25-14	92901-06100	24-30	93306-00406	23- 3	94416-18110
26-15	92901-06100	24- 9	93306-20201	24-47	94514-28109
1-23	92901-06200	24-11	93306-20204	24-48	94614-28031
7-20	92901-06200	3-10	93306-20517	1-30	94701-00017
17- 7	92901-06200	23- 9	93306-30201	14- 3	95101-08055
22- 4	92901-06200	23-11	93306-30203	14- 4	95101-08115
23-24	92901-06200	5-10	93306-30304	23-21	95201-06030
25-10	92901-06200	5-23	93306-30401	17- 2	95201-08010
9- 3	92901-08100	3-19	93306-30405	14- 5	95301-08100
14- 6	92901-08100	3-31	93310-11281	16-11	95301-08300
17- 3	92901-08100	3- 6	93310-41847	15- 7	95301-10100
24-42	92901-08100	5- 8	93315-31502	16- 4	95301-10300
26-19	92901-08100				

**YAMA****PARTS**

## NUMERICAL INDEX

Ref No.	Parts No.	Ref No.	Parts No.	Ref No.	Parts No.
15- 4	95301-12100				
24-36	95301-14200				
26-21	97201-08015				
9- 2	97201-08018				
26-18	97201-08020				
20- 3	97201-08030				
20-26	97601-05108				
13- 8	98501-04008				
13- 4	98501-05010				
2-13	98501-05012				
6-12	98501-05012				
12- 9	98501-05015				
12-27	98501-05015				
20-13	98501-05030				
10-13	98502-04016				
13-10	98580-05030				
21-40	98701-04026				
21-41	98701-04035				
21- 6	98702-03008				
25- 4	98001-05500				
7-16	98801-06100				
24-20	98801-06100				
9- 7	98801-06200				
4-19	98801-06300				
16- 9	98801-06300				
7- 5	98801-08100				
24-45	98801-08100				
24-26	98801-08200				
12- 8	98801-08300				
24-38	98801-08300				
24-41	98801-08300				
26-10	98802-04100				
23-30	98803-06300				
19-10	98803-16200				
12-18	98901-04008				



**YAMA**  
**PARTS**



**YAMAHA MOTOR CO., LTD.**

**PRINTED IN JAPAN**

**First edition Mar., 1973**