



YAMAHA

PARTS LIST

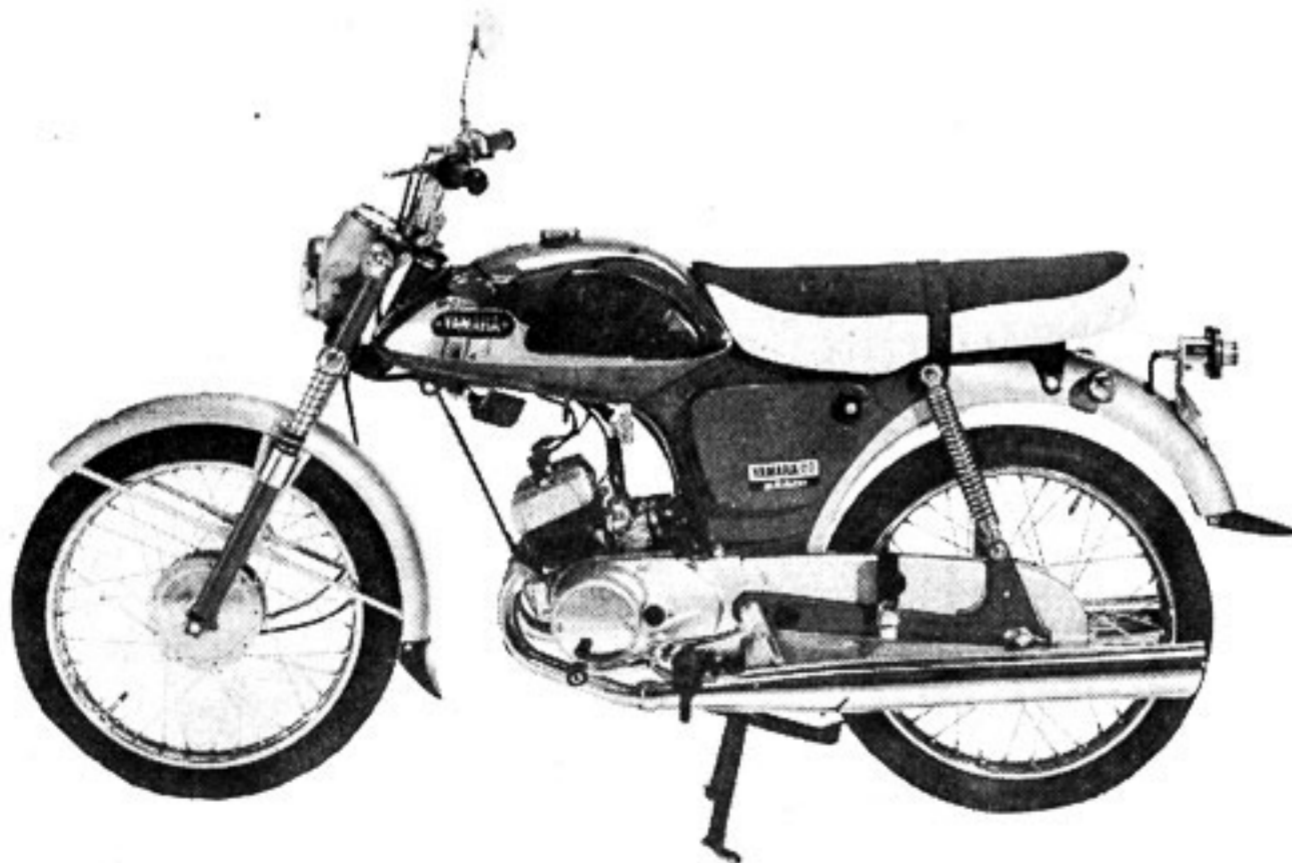
MODEL

YL1
YL1E

YAMAHA MOTOR CO.,LTD.

YAMAHA

YL1 YL1E



YL1

SPECIFICATION

	YL1	YL1E
Overall Length	71.7in (1,820mm)	71.7in (1,820mm)
Overall Width	30.1in (765mm)	30.1in (765mm)
Overall Height	39.6in (1,007mm)	39.6in (1,007mm)
Wheel Base	45.1in (1,145mm)	45.1in (1,145mm)
Road Clearance	5.1in (130mm)	5.1in (130mm)
Net Weight	218lbs (99.0kg)	218lbs (99.0kg)
Bore and Stroke	38×43mm	38×43mm
Compression Ratio	7.1 : 1	7.1 : 1
Fuel Tank Capacity	7.3 ℓ	7.3 ℓ
Maximum Power	9.5ps/8500rpm	9.5ps/8500rpm
Maximum Torque	0.805kgm/8000rpm	0.805kgm/8500rpm
Speed Range	66 ~72mph (105 ~ 115km/h)	66 ~72mph (105 ~ 115km/h)
Climbing Ability	20°	20°
Starting System	Kick	Electric and Kick
Front Tyre	2.50-17-4PR	2.50-17-4PR
Rear Tyre	2.50-17-4PR	2.50-17-4PR

I.B.M PARTS ORDER SYSTEM

This introduction is prepared to make you understood how our I. B. M system works and in what way our parts list is compiled so that you may be correctly guided in making use of our parts list.

Our parts number is basically classified into the following two.

- (1. -) Basic composition:

000 - 00000 - 00

 (for standard parts)
- (2. -) Basic composition:

00000 - 00000

 (for interchangeable parts)

1. STANDARD PARTS

These 10 digits are divided in three (3) sections: a - b - c.

1a) These first **three digits** represent the original model this part was used in. -

i. e. :	164	- 00000 - 00)	
	165	- 00000 - 00)	Identifies the YL2/YL2C model (100cc.)
	166	- 00000 - 00)	
	167	- 00000 - 00)	
	168	- 00000 - 00)	Identifies the YR1 model (350cc.)
	169	- 00000 - 00)	Identifies the YDS5E model (250cc.)
	170	- 00000 - 00)	
	171	- 00000 - 00)	Identifies the YM2C model (305cc.)
	172	- 00000 - 00)	
	173	- 00000 - 00)	Identifies the YCS1E model (180cc.)
	174	- 00000 - 00)	
	177	- 00000 - 00)	Identifies the TD1C model (250cc. Racer)

you will also find that some of these "three digits" numbers are interchangeable with or used for other models.

1b) The next **five digits** represent the section and actual part number. -

Out of these "five digits" the FIRST digit represents the section of the motorcycle to which the part belongs. - i. e. :

- | | | | | | |
|-----|---|------|------|-----|---------------------------------|
| 000 | 1 | 0000 | - 00 | (1) | represents the ENGINE section |
| 000 | 2 | 0000 | - 00 | (2) | represents the FRAME section |
| 000 | 8 | 0000 | - 00 | (8) | represents the ELECTRIC section |

(YL2/L2C)	166-11311-00	Cylinder-----	(1)	identifies the ENGINE section
(YCS1)	174-25111-00	HUB, front-----	(2)	identifies the FRAME section
(YR1)	168-82590-00	Wire Harness---	(8)	identifies the ELECTRIC section

The **SECOND & THIRD** digits represent the location of the part in the section (1-2-8).

EXAMPLES: (ENGINE SECTION)

(YL2/L2C)	166-11311-00	Cylinder-----	(13)	identifies the Crank Case section
(YL2/L2C)	166-11601-00	Ring set STD---	(16)	identifies the Piston section
(YCS1)	174-17401-00	Main axle ass'y.	(74)	identifies the Transmission section
(YDS5)	170-14101-00	Carburetor ass'y.(L)	(41)	identifies the Carburetor section

EXAMPLES: (FRAME SECTION)

(YL2/L2C)	164-22210-00	Rear cushion---	(22)	identifies the Rear Cushion section
(YL2/L2C)	164-23136-00	Outer tube (R)--	(31)	identifies the Front Fork section
(YR1)	168-24171-00	Knee grip (L)---	(41)	identifies the Fuel Tank section
(YR1)	168-25386-00	Collar, sprocket shaft--	(53)	identifies the Rear Wheel section

EXAMPLES: (ELECTRIC/WIRING SECTION)

Any part number in this "five digit" section that starts with the figure EIGHT (8), shows a component of the ELECTRIC section, i. e. :

(YL2/L2C)	164-81910-20	Regulator		
(YL2/L2C)	164-82510-10	Main switch ass'y.		
(YM2C)	170-82590-10	Wire harness ass'y.		
(YR1)	168-82116-00	Lead wire (-).		
(YR1)	168-82540-00	Neutral switch ass'y.		

The **FOURTH & FIFTH** digits ARE the ACTUAL PART No.

(YCS1)	174-14101-00	Carburetor (L)--	(01)	identifies the Carburetor (L)
(YCS1)	174-14102-00	Carburetor (R)--	(02)	identifies the Carburetor (R)
(YR1)	168-11311-01	Cylinder (L)----	(11)	identifies the Cylinder (L)
(YR1)	168-11321-01	Cylinder (R)----	(21)	identifies the Cylinder (R)
(YL2/L2C)	164-24171-00	Knee grip (L)---	(71)	identifies the Knee grip(L)
(YL2/L2C)	164-24172-00	Knee grip (R)---	(72)	identifies the Knee grip (R)

1c) The last **two digits** in the "10 digits" series advise you of any changes, corrections or modifications to the original part.

MODEL IDENTIFICATION (FIRST THREE DIGITS)

MODEL	NUMBER	MODEL	NUMBER	MODEL	NUMBER	MODEL	NUMBER
MF2C	104-	H1	131-	YD3	148-	YL2C	167-
MJ2	107-	H2	132-	YDS1	150-	YR1	168-
YJ2	115-	YL1	134-	YDS2	152-	YDS5E	169-
U5	116-	YA3	135-	YDS3	156-	YDS5	170-
YG1	122-	YA5	136-	YDS3C	157-	YM2	171-
YG1A	123-	YA6	137-	YM1	159-	YM2C	172-
YG1C	125-	YAT1	141-	MJ2B	162-	YCS1E	173-
YG1K	127-	TD1	143-	H3	164-	YCS1	174-
YP1	128-	TD1A	144-	H3E	165-	YL1E	176-
YGS1-T	130-	TD1B	145-	YL2	166-	TD1C	177-



EXAMPLES:

(YCS1) 174-17221-**00** 2nd. gear wheel - This gear was modified for better performance and therefore the number was changed to read: 174-17221-**01**
 If we make further modification of this part; then the number will be changed to read: 174-17221-**02** or **03** etc., etc. -

2. -INTERCHANGEABLE PARTS. - These "10 digits" are divided into 2 sections of "5 digits" each. -

These series ALWAYS start with the figures "93 or 94."

The **93000 - 00000** or **94000 - 00000** numbers are used for the most commonly used interchangeable parts such as: Oil seals, Bearing, "O" rings, Circlips, Knock pins, Tires Steel Balls, Rims, Chain Joints, Tire tubes, etc., etc. -

In addition to the "10 digits" that we have mentioned above, we have 2 more digits that **must** be added to the part number whenever there is a COLOR part involved. -***

The I. B. M COLOR CHART consists of the following numbers:

000-00000-00- 22	CANDY RED	000-00000-00- 24	LIGHT VERMILION(red)
000-00000-00- 25	YAMAHA YELLOW	000-00000-00- 28	PEACOCK BLUE
000-00000-00- 33	YAMAHA BLACK	000-00000-00- 35	SILVER
000-00000-00- 44	CANDY BLUE (new)	000-00000-00- 81	PRIMER

*** PLEASE do not fail to add this color number when ordering painted parts***

Color code numbers available for this model are as follows:

Model YL1, YL1E

CODE NO.	COLOR	APPLICATION
22	Candy red	YL1E
24	Light vermilion	YL1
28	Peacock blue	YL1
31	Arom blue	YL1
33	Yamaha black	YL1, YL1E
35	Silver	YL1, YL1E
44	Candy blue	YL1E
81	Primer	YL1

3. DIMENSIONS: All dimensions are given in millimeters with the exception of steel balls which are given in inches.

4. KEY TO SYMBOLS:

- R. H. Right hand side (Viewed from the rider's seat facing forward)
- L. H. Left hand side (Viewed from the rider's seat facing forward)
- S. R. Suggested retail price
- UR. Use size (thickness) and/or numbers as required
- ⊙ Painted parts
- ☆ Government inspected parts
- △ Not supplied as a single part
- S Indicates "S" shaped circlip
- E Indicates "E" shaped circlip
- R Indicates "R" shaped circlip
- T Number of teeth in a gear
- V Voltage for light bulbs
- W Wattage for light bulbs
- L Length
- S "S" type oil seal
- SD "SD" type oil seal
- SO "SO" type oil seal
- SW "SW" type oil seal

5. COMPONENT PARTS: Component parts of an assembly are preceded by a dot (.) as follows:

- KICK CRANK ASS'Y
- . WASHER, spring)
- . LEVER, kick) Component parts
- . PIN)

Component parts which are mounted on either side of the m/c. are listed in the following sequence:

- 5a). - Parts to be mounted on "LEFT SIDE" are listed first. -
- 5b). - Parts to be mounted on "RIGHT SIDE" are listed second. -
- 5c). - Parts which can be mounted on "EITHER SIDE" are listed next to the above parts. -

You are requested to be very careful, when ordering, not to make a mistake in stating the part numbers, since only a single wrong figure will entirely change the contents and will cause you to receive quite a different part.

We believe that this introduction will prove a great help to you, but if you have any ambiguous point, please do not hesitate to contact us.

CONTENTS

ENGINE

Fig. 1	Crank Case.....	1
Fig. 2	Crank Case Cover.....	3
Fig. 3	Crank and Piston.....	5
Fig. 4	Clutch	9
Fig. 5	Transmission.....	11
Fig. 6	Shifter (1).....	15
Fig. 7	Shifter (2).....	17
Fig. 8	Kick.....	19
Fig. 9	Air Cleaner.....	21
Fig. 10	Carburetor.....	23
Fig. 11	Muffler.....	27
Fig. 12	Oil Pump.....	29
Fig. 13	Generator (ONLY FOR YL1).....	33
Fig. 14	Generator (ONLY FOR YL1E).....	35
Fig. 15	A.C Magnet Generator	37

CHASSIS

Fig. 16	Frame.....	41
Fig. 17	Rear Arm and Chain Case	43
Fig. 18	Stand and Brake Pedal.....	45
Fig. 19	Handle and Front Fender.....	47
Fig. 20	Front Fork.....	51
Fig. 21	Tank.....	55
Fig. 22	Oil Tank.....	57

Fig. 23	Seat and Carrier.....	59
Fig. 24	Front Wheel.....	61
Fig. 25	Rear Wheel.....	63
Fig. 26	Head Lamp and Tail Lamp.....	67
Fig. 27	Flasher Lamp.....	75
Fig. 28	Electrical System.....	77

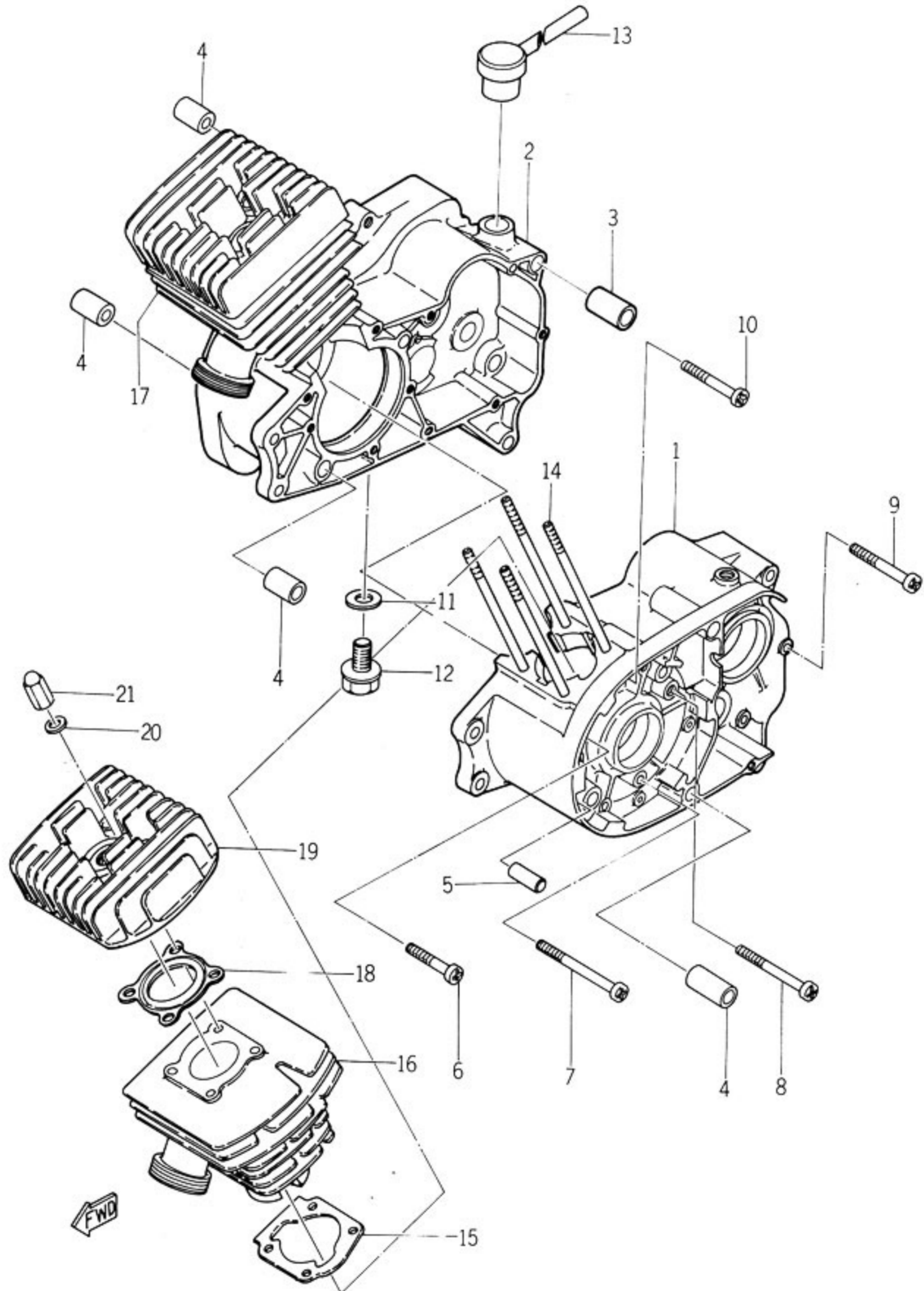
NUMERICAL INDEX



E N G I N E

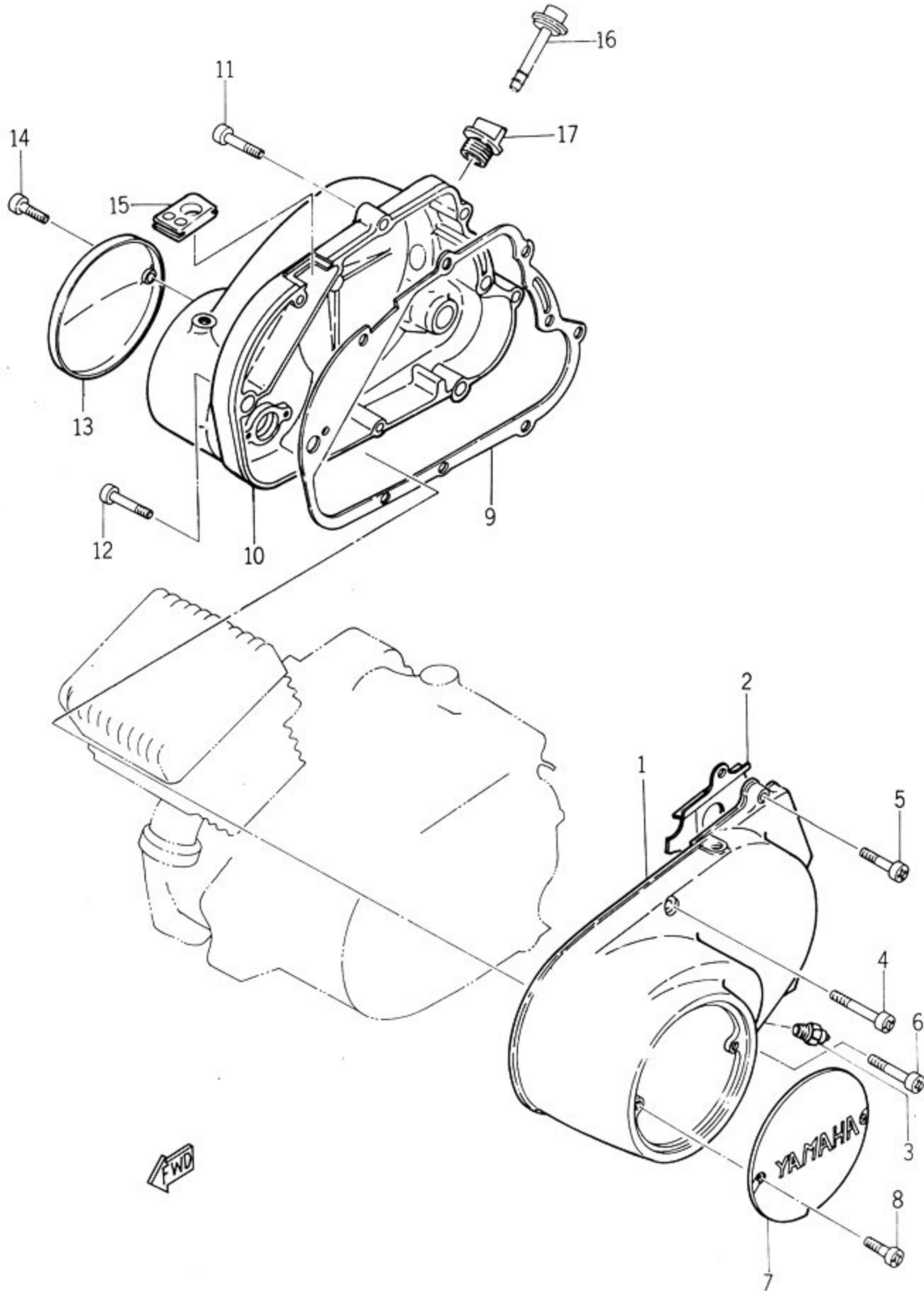


Fig. 1 CRANK CASE



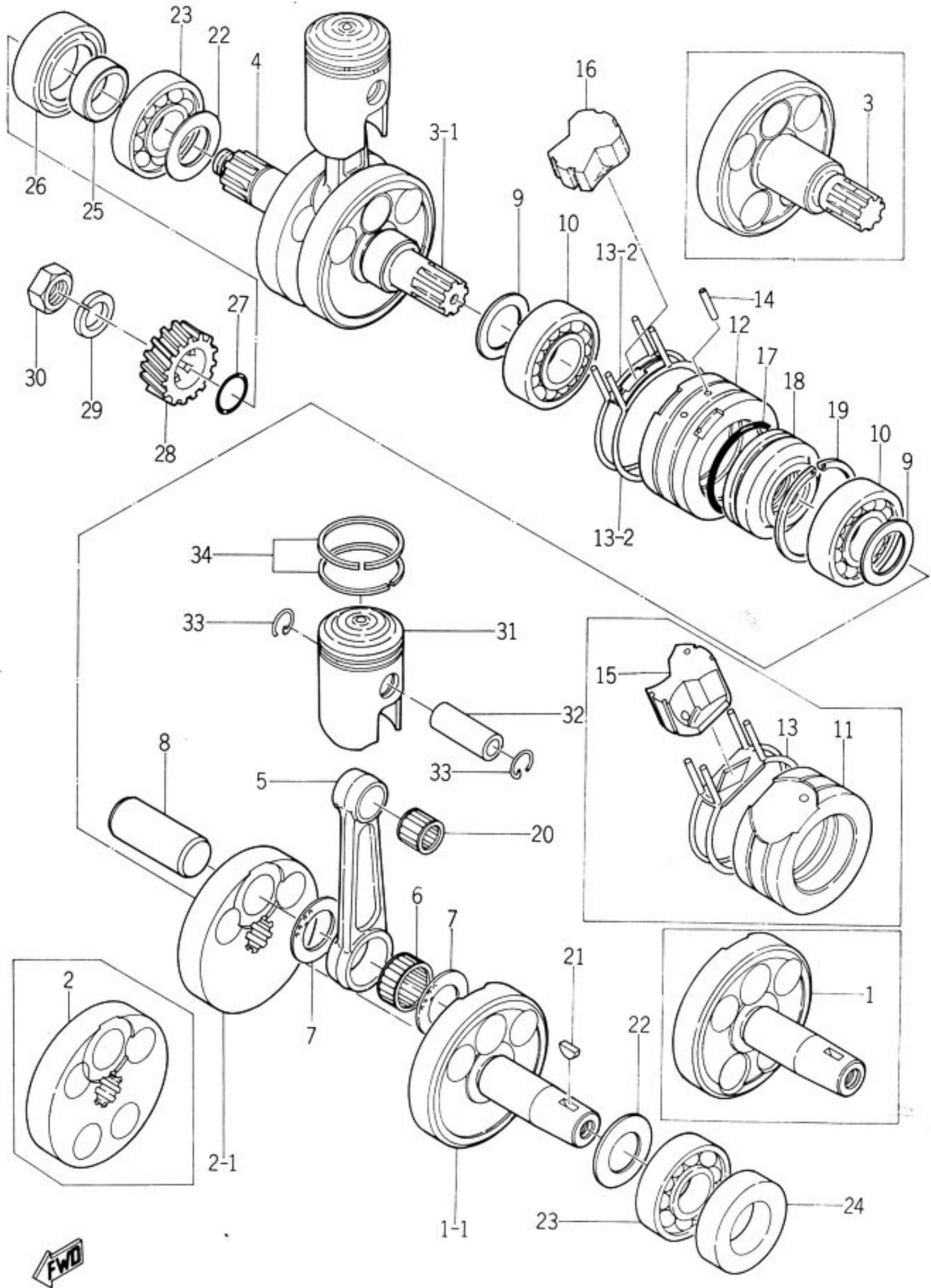
Ref. No.	Part No.	Part Name	Description	Qty		S · R	Remarks
				YLI	YLIE		
1- 1	132-15111-01	CASE, crank (L.H)		1			~ No. 48845
1- 1-1	132-15111-02	CASE, crank (L.H)		1			No. 48846 ~
1- 1-2	132-15111-02	CASE, crank (L.H)			1		
1- 2	132-15121-00	CASE, crank (R.H)		1			~ No. 48845
1- 2-1	132-15121-01	CASE, crank (R.H)		1			No. 48846 ~
1- 2-2	132-15121-01	CASE, crank (R.H)			1		
1- 3	91810-08016	PIN, dowel	9.8-12-16	2	2		
1- 4	91810-03014	PIN, dowel	8.5-16-14	4	4		
1- 5	93603-14026	PIN, dowel	3-14	1	1		
1- 6	92501-06045	SCREW, pan head		1	1		
1- 7	92501-06080	SCREW, pan head		1	1		
1- 8	92501-06070	SCREW, pan head		1	1		
1- 9	92501-06060	SCREW, pan head		8	8		
1-10	92501-06055	SCREW, pan head		1	1		
1-11	132-15353-00	GASKET, drain plug	12.5-19-1.5	1	1		
1-12	132-15351-00	PLUG, drain		1	1		
1-13	132-15371-00	BREATHER		1	1		
1-14	109-11361-00	BOLT, cylinder holding		8	8		
1-15	132-11351-00	GASKET, cylinder		2	2		
1-16	134-11311-00	BODY, cylinder (L.H)		1			~ No. 2877
1-16-1	134-11311-01	BODY, cylinder (L.H)		1			No. 2878 ~
1-16-2	134-11311-01	BODY, cylinder (L.H)			1		
1-17	134-11321-00	BODY, cylinder (R.H)		1			~ No. 2877
1-17-1	134-11321-01	BODY, cylinder (R.H)		1			No. 2878 ~
1-17-2	134-11321-01	BODY, cylinder (R.H)			1		
1-18	134-11181-01	GASKET, cylinder head		2	2		
1-19	134-11111-00	HEAD, cylinder		2	2		
1-20	92901-06200	WASHER, plain		8	8		
1-21	126-11171-60	NUT, cylinder holding		8	8		

Fig. 2 CRANK CASE COVER



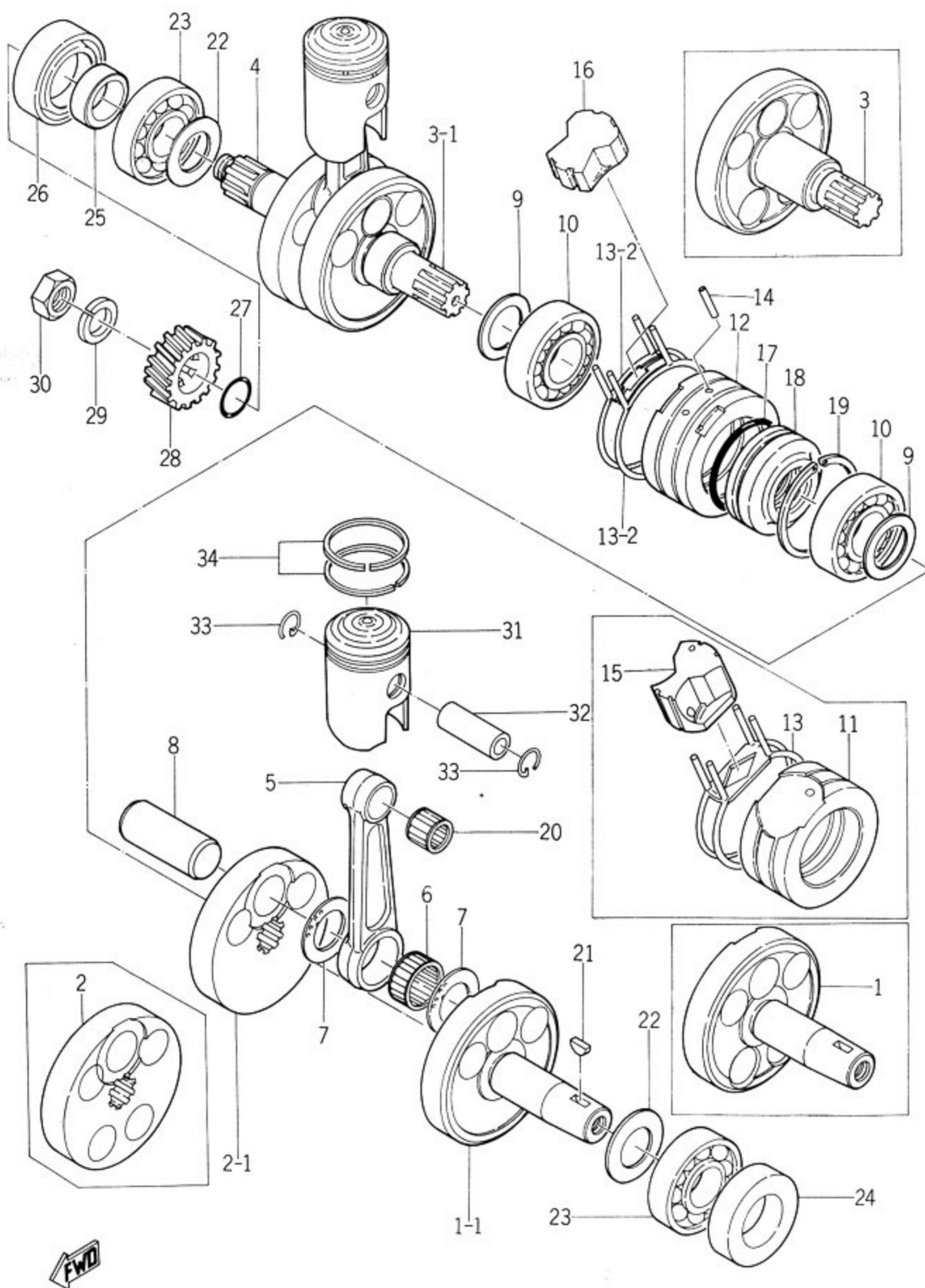
Ref. No.	Part No.	Part Name	Description	Qty		S · R	Remarks
				YLI	YLIE		
2- 1	132-15411-00	COVER, crank case (L. H)		1	1		
2- 2	132-15418-00	COVER, chain case		1	1		
2- 3	93700-06001	NIPPLE, grease		1	1		
2- 4	92501-06050	SCREW, pan head		2	2		
2- 5	92501-06020	SCREW, pan head		2	2		
2- 6	92501-06045	SCREW, pan head		1	1		
2- 7	136-15415-00	COVER, generator		1	1		
2- 8	92501-04008	SCREW, pan head		2	2		
2- 9	132-15451-00	GASKET, crank case cover (R. H)		1	1		
2-10	132-15420-00	CRANK CASE COVER ASS'Y (R. H)		1	1		
2-11	92501-06030	SCREW, pan head		7	7		
2-12	92501-06040	SCREW, pan head		1	1		
2-13	132-15416-00	COVER, oil pump		1	1		
2-14	92501-04010	SCREW, pan head		2	2		
2-15	132-13174-00	HOLDER, oil pipe		1	1		
2-16	132-15361-00	GAUGE, level		1	1		
2-17	116-15363-00	PLUG, oil		1	1		

Fig. 3 CRANK AND PISTON



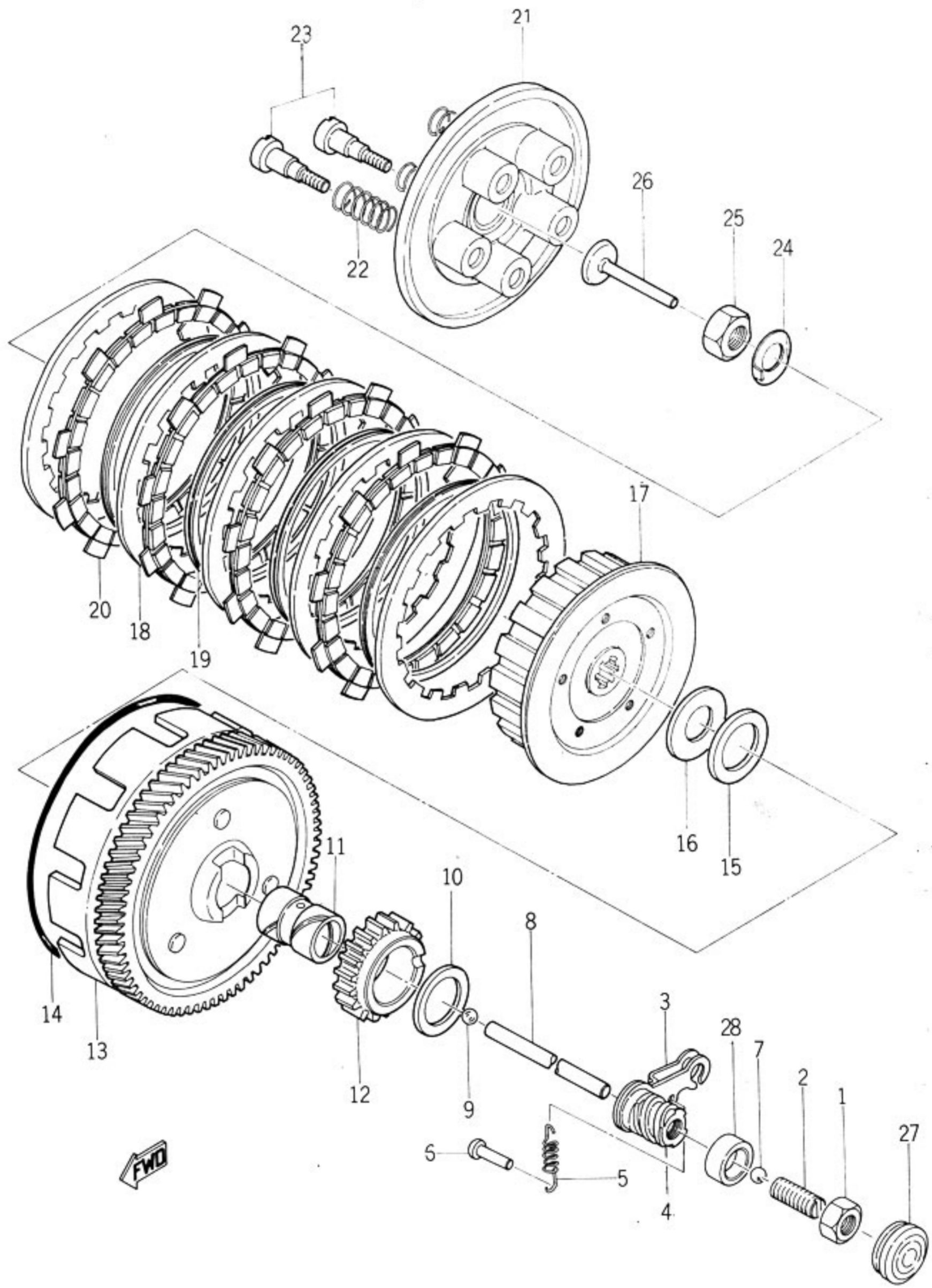
Ref. No.	Part No.	Part Name	Description	Qty		S · R	Remarks
				YLI	YLIE		
3- 0-1	132-11400-02	CRANK ASS'Y		1	1		
3- 1	132-11412-00	. CRANK (1) (L. H)		1			~ No. 53963
3- 1-1	132-11412-01	. CRANK (1) (L. H)		1			No. 53964 ~
3- 1-2	132-11412-01	. CRANK (1) (L. H)			1		
3- 2	132-11422-01	. CRANK (1) (R. H)		1			~ No. 53963
3- 2-1	132-11422-02	. CRANK (1) (R. H)		1			No. 53964 ~
3- 2-2	132-11422-02	. CRANK (1) (R. H)			1		
3- 3	132-11432-01	. CRANK (2) (L. H)		1			~ No. 53963
3- 3-1	132-11432-02	. CRANK (2) (L. H)		1			No. 53964 ~
3- 3-2	132-11432-02	. CRANK (2) (L. H)			1		
3- 4	132-11442-00	. CRANK (2) (R. H)		1			~ No. 53963
3- 4-1	132-11442-01	. CRANK (2) (R. H)		1			No. 53964 ~
3- 4-2	132-11442-01	. CRANK (2) (R. H)			1		
3- 5	132-11651-00	. ROD, connecting		2	2		
3- 6	93310-41809	. BEARING	18-24-11.6	2	2		☆
3- 7	132-11685-00	. WASHER, crank pin	18.2-31-1	4	4		
3- 8	122-11681-00	. PIN, crank		2	2		
3- 9	132-11561-00	. SHIM, crank inside	25.5-35-0.3	2	2		
3-10	93306-00502	. BEARING	6005	2			☆ ~ No. 39244
3-10-1	93306-20504	. BEARING	6205C3	2			☆ No. 39245 ~
3-10-2	93306-20504	. BEARING	6205C3		2		☆
3-11	132-11511-00	. COVER, crank		1			~ No. 39244
3-12	132-11511-02	. COVER, crank		1			No. 39245 ~
3-12-1	132-11511-02	. COVER, crank			1		
3-13	132-11512-00	. SEAL, crank cover		1			~ No. 55591
3-13-1	132-11512-00	. SEAL, crank cover			1		~ No. 513353
3-13-2	132-11512-01	. SEAL, crank cover		2			No. 55592 ~
3-13-3	132-11512-01	. SEAL, crank cover			2		No. 513354 ~
3-14	93604-18058	. PIN, dowel	4-17.8	2	2		
3-15	132-11541-00	. METAL, filler		1			~ No. 55591
3-15-1	132-11541-00	. METAL, filler			1		~ No. 513353
3-16	132-11541-01	. METAL, filler		1			No. 55592 ~
3-16-1	132-11541-01	. METAL, filler			1		No. 513354 ~
3-17	93210-41042	. RING, "O"	3.1-41.4	1			~ No. 39243

Fig. 3 CRANK AND PISTON



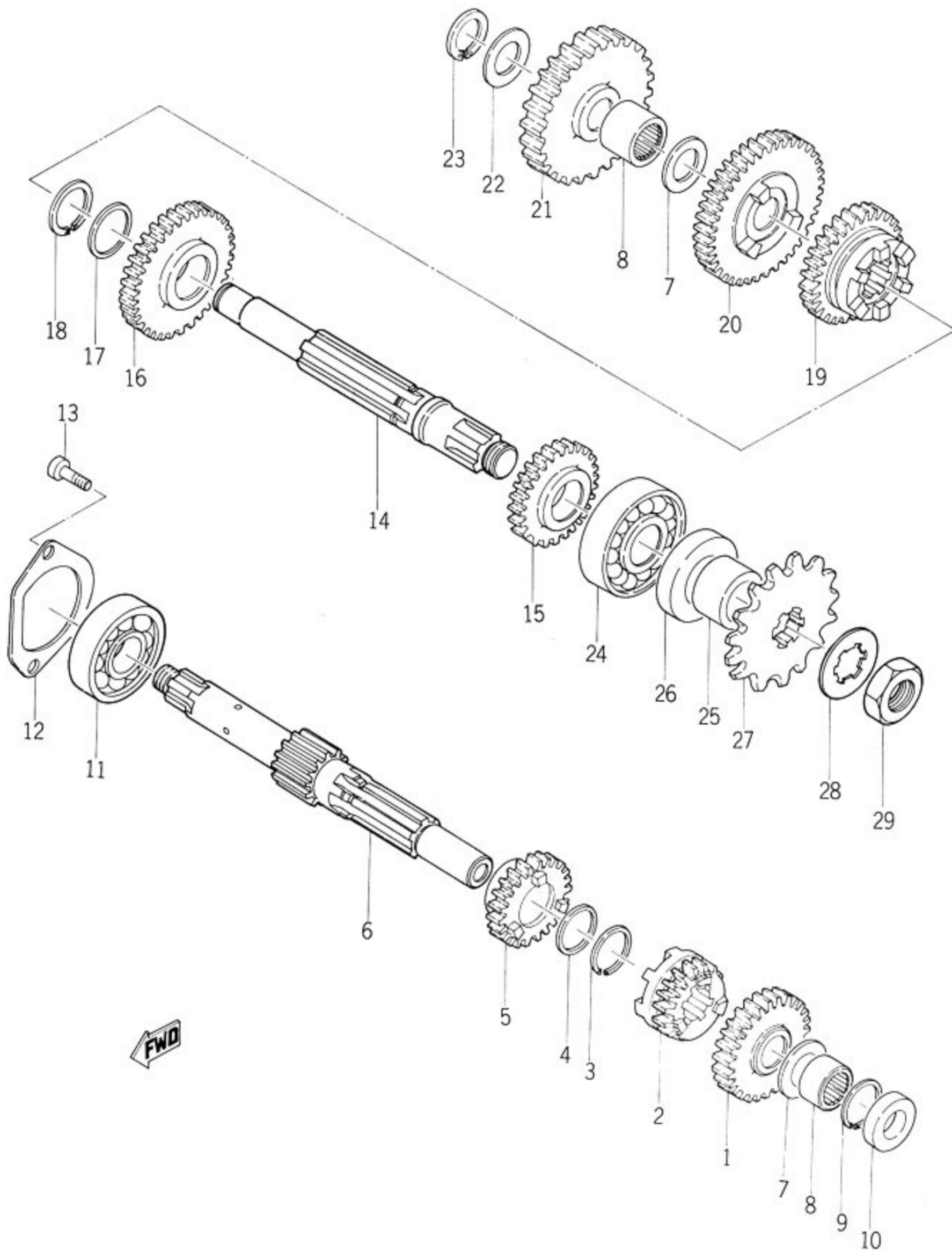
Ref. No.	Part No.	Part Name	Description	Qty		S · R	Remarks
				YLI	YLIE		
3-17-1	93210-48045	. RING, "O"	1. 8-48	1			No. 39244 ~
3-17-2	93210-48045	. RING, "O"	1. 8-48		1		
3-18	132-11515-00	. SEAL, labyrinth		1			~ No. 39244
3-18-1	132-11515-01	. SEAL, labyrinth		1			No. 39245 ~
3-18-2	132-11515-01	. SEAL, labyrinth			1		
3-19	93450-47011	. CIRCLIP	R47	1			~ No. 39243
3-19-1	93450-52010	. CIRCLIP	R52	1			No. 39244 ~
3-19-2	93450-52010	. CIRCLIP	R52		1		
3-20	93310-11201	BEARING	12-15-14. 3	2	2		☆
3-21	146-11545-00	KEY, woodruff		1	1		
3-22	136-11561-00	SHIM, crank out side	20. 5-30-0. 5	2	2		
3-23	93306-20402	BEARING	6204C3	2			☆ ~ No. 48445
3-23-1	93306-30402	BEARING	6304C3	2			☆ No. 48446 ~
3-23-2	93306-30402	BEARING	6304C3		2		☆
3-24	93102-20010	SEAL, oil	SD-20-40-8	1	1		
3-25	132-16136-01	COLLAR, distance	20-28-10. 5	1	1		
3-26	93103-28011	SEAL, oil	SW-28-40-8	1	1		
3-27	93210-18023	RING, "O"	1. 2-17. 6	1	1		
3-28	122-16111-00	GEAR, primary drive		1	1		
3-29	92901-12100	WASHER, spring		1	1		
3-30	137-16377-00	NUT, lock		1	1		
3-31	134-11631-00	PISTON .	S. T. D	2	2		
3-31-1	134-11631-10	PISTON (1st O/S)	0. 25mm	2	2		
3-31-2	134-11631-20	PISTON (2nd O/S)	0. 50mm	2	2		
3-32	132-11633-00	PIN, piston		2	2		
3-33	132-11634-00	CLIP, piston pin		4	4		
3-34	134-11610-00	PISTON RING SET	S. T. D	2	2		
3-34-1	134-11610-10	PISTON RING SET (1st O/S)	0. 25mm	2	2		
3-34-2	134-11610-20	PISTON RING SET (2nd O/S)	0. 50mm	2	2		

Fig. 4 CLUTCH



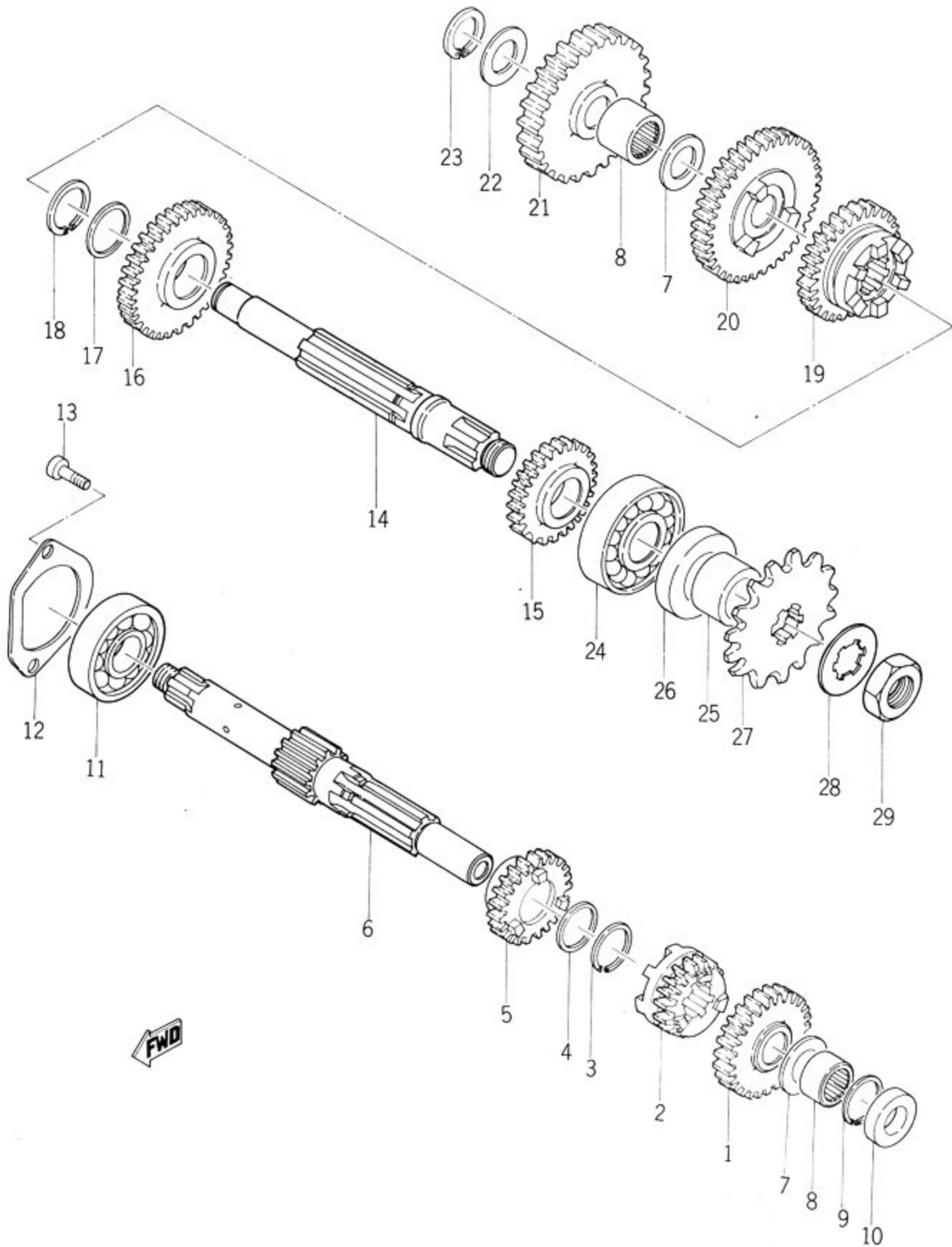
Ref. No.	Part No.	Part Name	Description	Qty		S - R	Remarks
				YLI	YLIE		
4- 1	132-16344-00	NUT, adjusting		1	1		
4- 2	137-16343-00	SCREW, adjusting		1	1		
4- 3	132-16342-00	LEVER, push		1	1		
4- 4	137-16341-00	SCREW, push		1	1		
4- 5	137-16345-00	SPRING, lever return		1	1		
4- 6	132-16346-00	HOOK, spring		1	1		
4- 7	93505-16006	BALL	5/16"	1	1		☆
4- 8	132-16357-01	ROD, push (2)		1	1		
4- 9	93501-04004	BALL	1/4"	1	1		☆
4-10	122-16164-00	PLATE, thrust	17.2-30-2	1	1		
4-11	132-16181-00	SPACER		1	1		
4-12	132-15631-00	GEAR, kick pinion	19T	1	1		
4- 0-1	132-16301-00	CLUTCH ASS'Y		1	1		
4-13	132-16105-00	. PRIMARY DRIVEN GEAR ASS'Y	74T	1	1		
4-14	132-16369-00	. RING, friction		1	1		
4-15	93341-22302	. BEARING, thrust		1	1		☆
4-16	131-16154-00	. PLATE, thrust	17.2-37-2	1	1		
4-17	132-16371-01	. BOSS, clutch		1	1		
4-18	137-16324-00	. PLATE, clutch		5	5		
4-19	137-16367-00	. RING, cushion		4	4		
4-20	132-16321-00	. PLATE, friction		4	4		
4-21	132-16351-00	. PLATE, pressure		1	1		
4-22	132-16333-00	. SPRING, clutch		5	5		
4-23	137-16337-00	. SCREW, spring		5	5		
4-24	137-16378-00	WASHER, clutch boss		1	1		
4-25	137-16377-00	NUT, clutch boss		1	1		
4-26	137-16356-00	ROD, push (1)		1	1		
4-27	132-15417-00	COVER, cap		1	1		
4-28	136-16347-00	SEAL, dust		1	1		

Fig. 5 TRANSMISSION



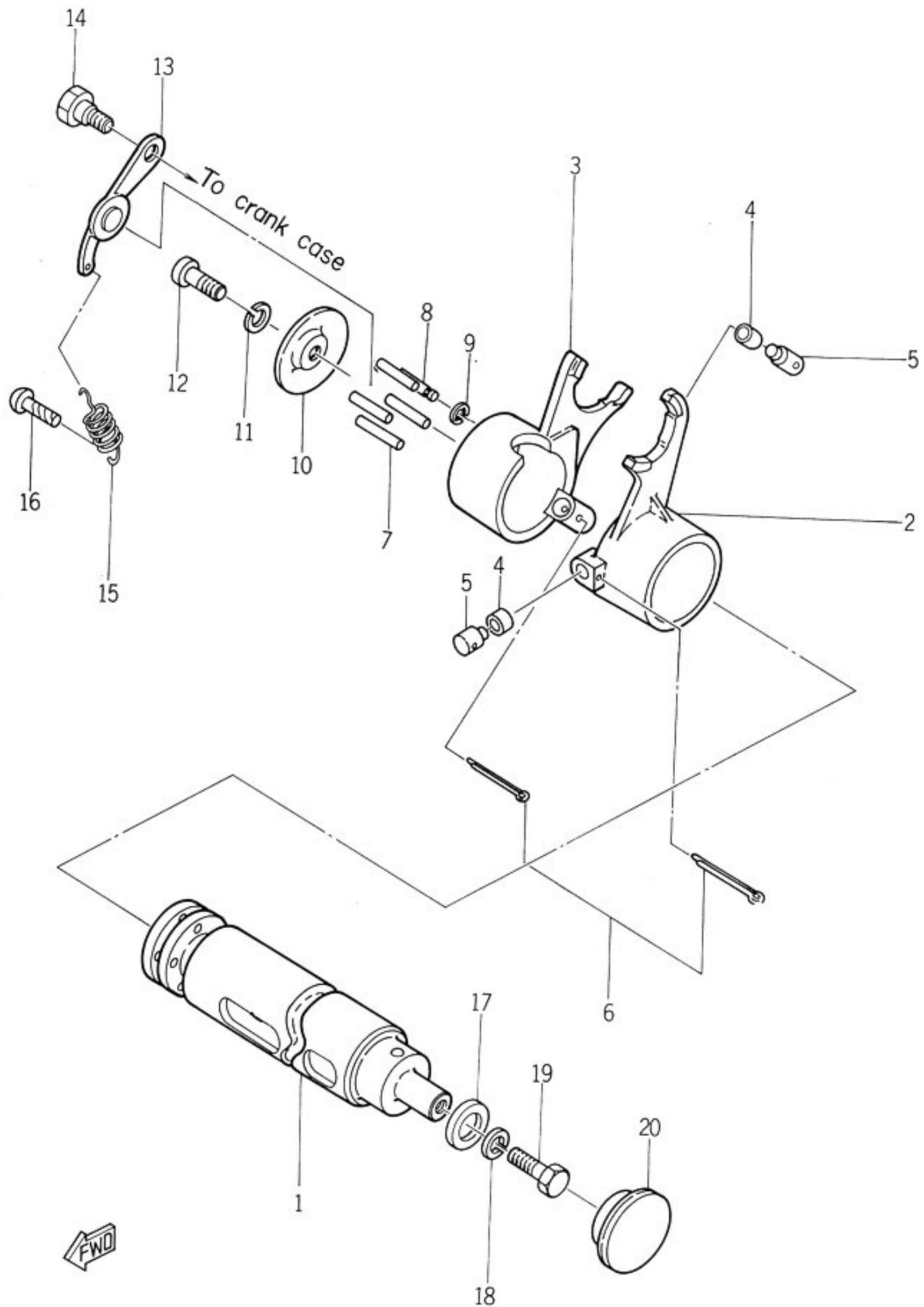
Ref. No.	Part No.	Part Name	Description	Qty		S · R	Remarks
				YLI	YLIE		
5- 1	132-17141-01	GEAR, 4th pinion	27T	1			~ No. 48845
5- 1-1	132-17141-01	GEAR, 4th pinion	27T	1	1		No. 48846 ~
5- 2	132-17121-00	GEAR, 2nd pinion	18T	1	1		
5- 3	132-17414-00	CLIP, main axle		1	1		
5- 4	132-17216-00	WASHER, gear hold		1	1		
5- 5	132-17131-00	GEAR, 3rd pinion	23T	1	1		
5- 6	132-17411-00	AXLE, main	13T	1			~ No. 48845
5- 6-1	132-17411-01	AXLE, main	13T	1			No. 48846 ~
5- 6-2	132-17411-01	AXLE, main			1		
5- 7	132-17417-00	SHIM, drive axle		2			~ No. 48845
5- 7-1	164-17427-00	SHIM, drive axle		2			No. 48846 ~
5- 7-2	164-17427-00	SHIM, drive axle			2		
5- 8	93315-31501	BEARING		2			☆ No. 48846 ~
5- 8-1	93315-31501	BEARING			2		☆
5- 9	93450-22012	CIRCLIP		1			No. 48846 ~
5- 9-1	93450-22012	CIRCLIP			1		
5-10 \	132-15389-00	SEAL, push rod	SDD-6.8-22 -7	1	1		
5-11	93306-30301	BEARING	6303	1	1		☆
5-12	132-17471-00	PLATE, bearing cover		1	1		
5-13	92501-06015	SCREW, pan head		2	2		
5-14	132-17421-00	AXLE, drive		1			~ No. 48845
5-14-1	132-17421-01	AXLE, drive		1			No. 48846 ~
5-14-2	132-17421-01	AXLE, drive			1		
5-15	132-17241-00	GEAR, 4th wheel	26T	1	1		
5-16	132-17221-00	GEAR, 2nd wheel	34T	1	1		
5-17	132-17216-00	WASHER, gear hold	20-25-1	1	1		
5-18	132-17414-00	CLIP, main axle		1	1		
5-19	132-17231-00	GEAR, 3rd wheel	30T	1	1		
5-20	132-17211-00	GEAR, 1st wheel	40T	1			~ No. 48845
5-20-1	132-17211-01	GEAR, 1st wheel	40T	1			No. 48846 ~
5-20-2	132-17211-01	GEAR, 1st wheel	40T		1		
5-21	132-15651-00	GEAR, kick idle	28T	1	1		
5-22	132-15653-00	WASHER, thrust	13.3-22-1.2	1	1		
5-23	93410-13004	CIRCLIP	C13	1	1		

Fig. 5 TRANSMISSION



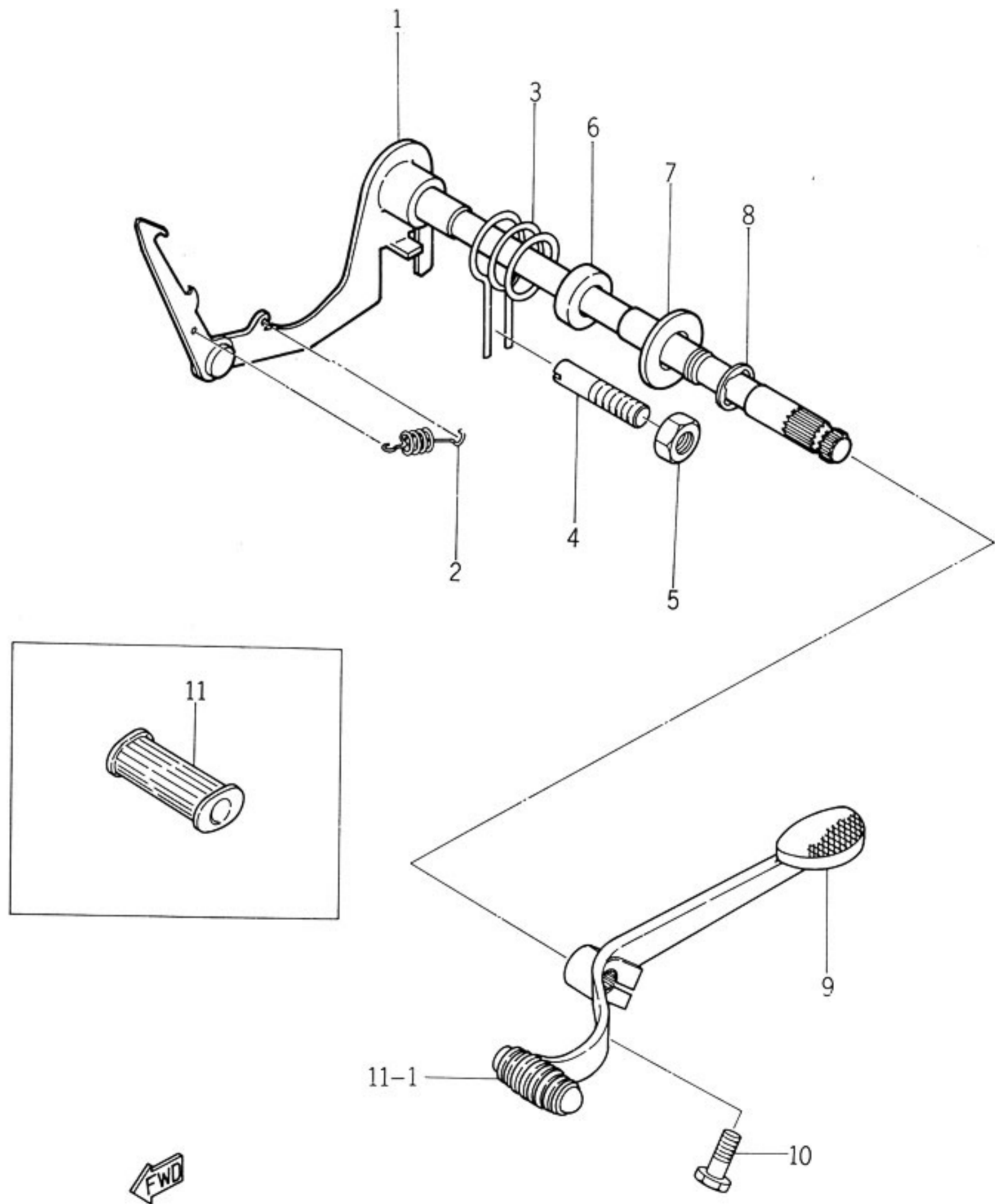
Ref. No.	Part No.	Part Name	Description	Qty		S - R	Remarks
				YL1	YL1E		
5-24	93306-30401	BEARING	6304	1	1		☆
5-25	102-17462-00	COLLAR, distance	20-28-15.1	1	1		
5-26	93102-28021	SEAL, oil	SD-28-44-7	1	1		
5-27	122-17461-50	SPROCKET, drive	15T	1	1		
5-27-1	122-17461-40	SPROCKET, drive	14T	1	1		
5-27-2	122-17461-60	SPROCKET, drive	16T	1	1		
5-28	102-17464-00	WASHER, sprocket		1	1		
5-29	102-17463-00	NUT, sprocket		1	1		

Fig. 6 SHIFTER (I)



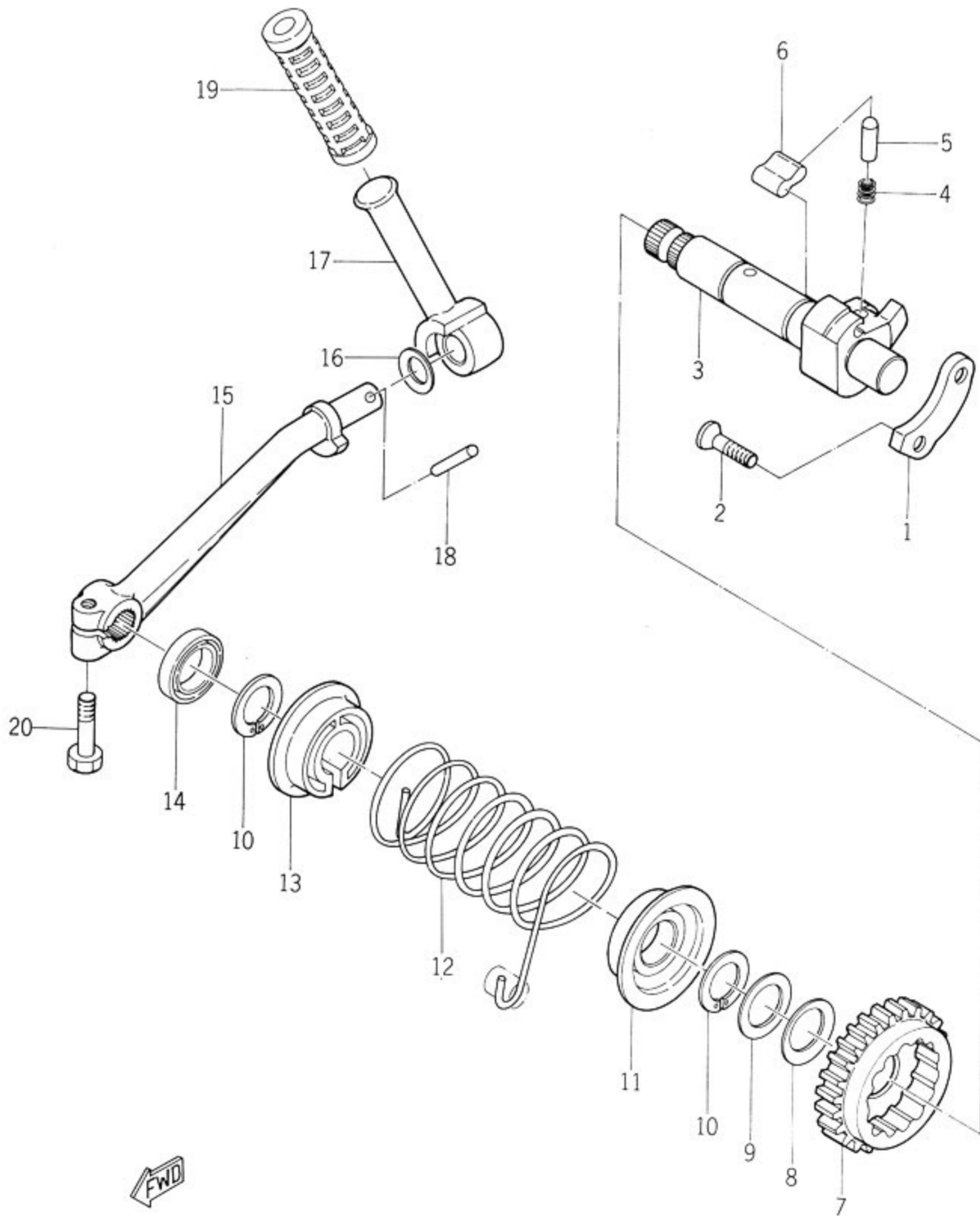
Ref. No.	Part No.	Part Name	Description	Qty		S - R	Remarks
				YLI	YLIE		
6- 0-1	134-18301-00	SHIFTER ASS'Y		1	1		
6- 1	134-18541-61	. CAM, shaft		1	1		
6- 2	132-18511-00	. FORK, shift (1)		1	1		
6- 3	132-18512-00	. FORK, shift (2)		1	1		
6- 4	136-18551-00	. ROLLER, cam hollower		2	2		
6- 5	137-18552-00	. PIN, cam hollower		2	2		
6- 6	91401-25017	. PIN, cotter	2. 3-17	2	2		
6- 7	93604-23027	. PIN, dowel	4-23	4	4		
6- 8	174-18544-00	. PIN, locating		1	1		
6- 9	93430-03014	. CLIP, locating pin		1	1		
6-10	132-18561-00	. PLATE, side		1	1		
6-11	92901-05100	. WASHER, spring		1	1		
6-12	92501-05012	. SCREW, pan head		1	1		
6-13	132-18140-00	STOPPER LEVER ASS'Y		1	1		
6-14	132-18177-00	BOLT, stopper		1	1		
6-15	132-18143-00	SPRING, stopper		1	1		
6-16	132-16346-00	HOOK, spring		1	1		
6-17	132-18338-00	WASHER, plain	6-10-1.6	1	1		
6-18	92901-06100	WASHER, spring		1	1		
6-19	91201-06015	BOLT		1	1		
6-20	132-18533-00	PLUG, blind		1			~ No. 141
6-20-1	132-18553-01	PLUG, blind		1			No. 14158
6-20-2	132-18553-01	PLUG, blind			1		

Fig. 7 SHIFTER (2)



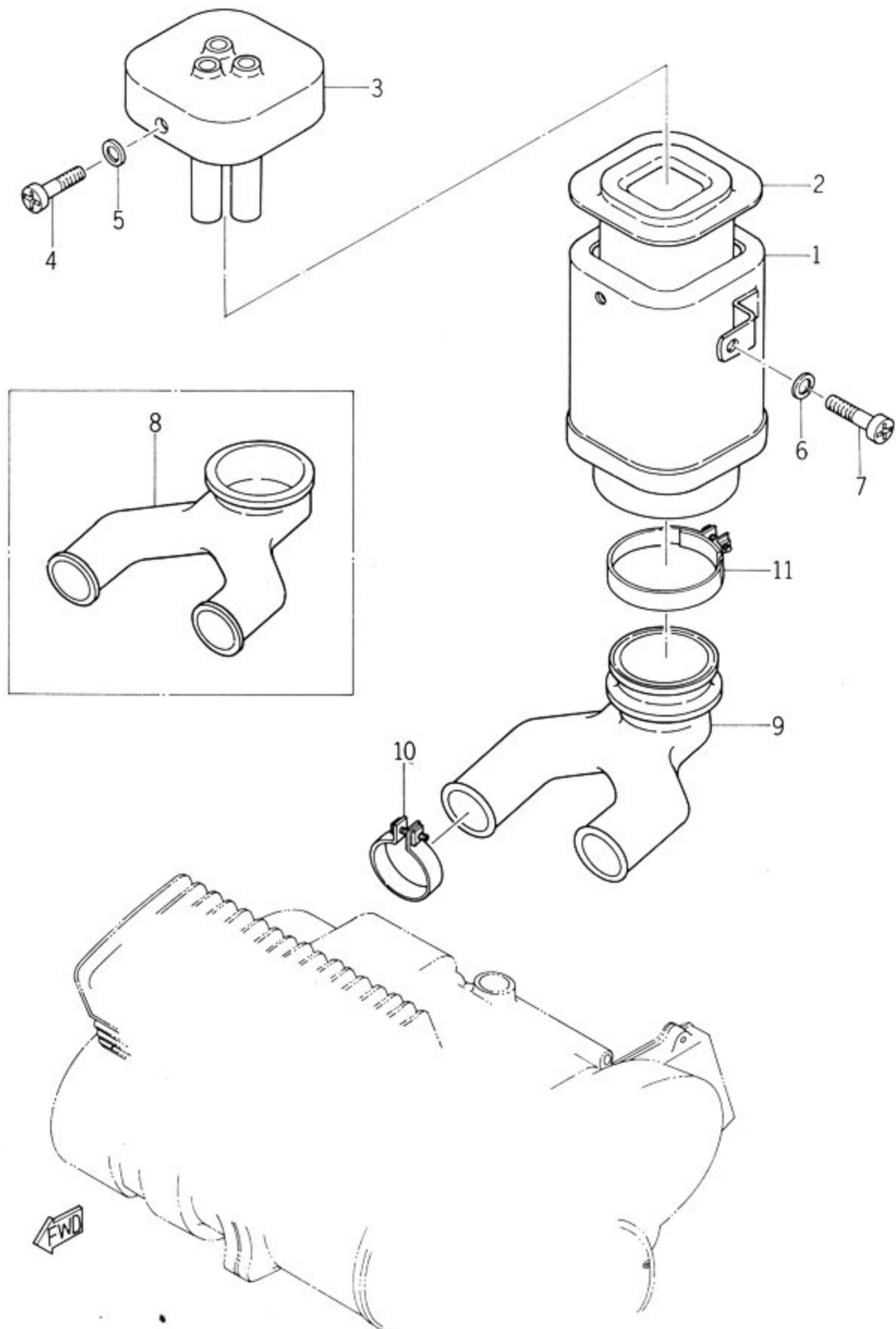
Ref. No.	Part No.	Part Name	Description	Qty		S · R	Remarks
				YLI	YLIE		
7- 1	132-18101-00	CHANGE SHAFT ASS'Y		1	1		
7- 2	132-18123-00	SPRING, shift arm		1	1		
7- 3	132-18124-00	SPRING, shaft return		1	1		
7- 4	132-18133-00	SCREW, adjusting		1	1		
7- 5	92801-08100	NUT		1	1		
7- 6	93101-12004	SEAL, oil	S-12-22-5	1	1		
7- 7	132-18137-00	WASHER, change axle	12.1-26-1.6	1	1		
7- 8	93430-10016	CIRCLIP	E10	1	1		
7- 9	132-18111-01	PEDAL, change		1	1		
7-10	91201-06020	BOLT		1	1		
7-11	132-18113-00	COVER, change pedal		1	1		
7-11-1	132-18113-01	COVER, change pedal		1	1		

Fig. 8 KICK



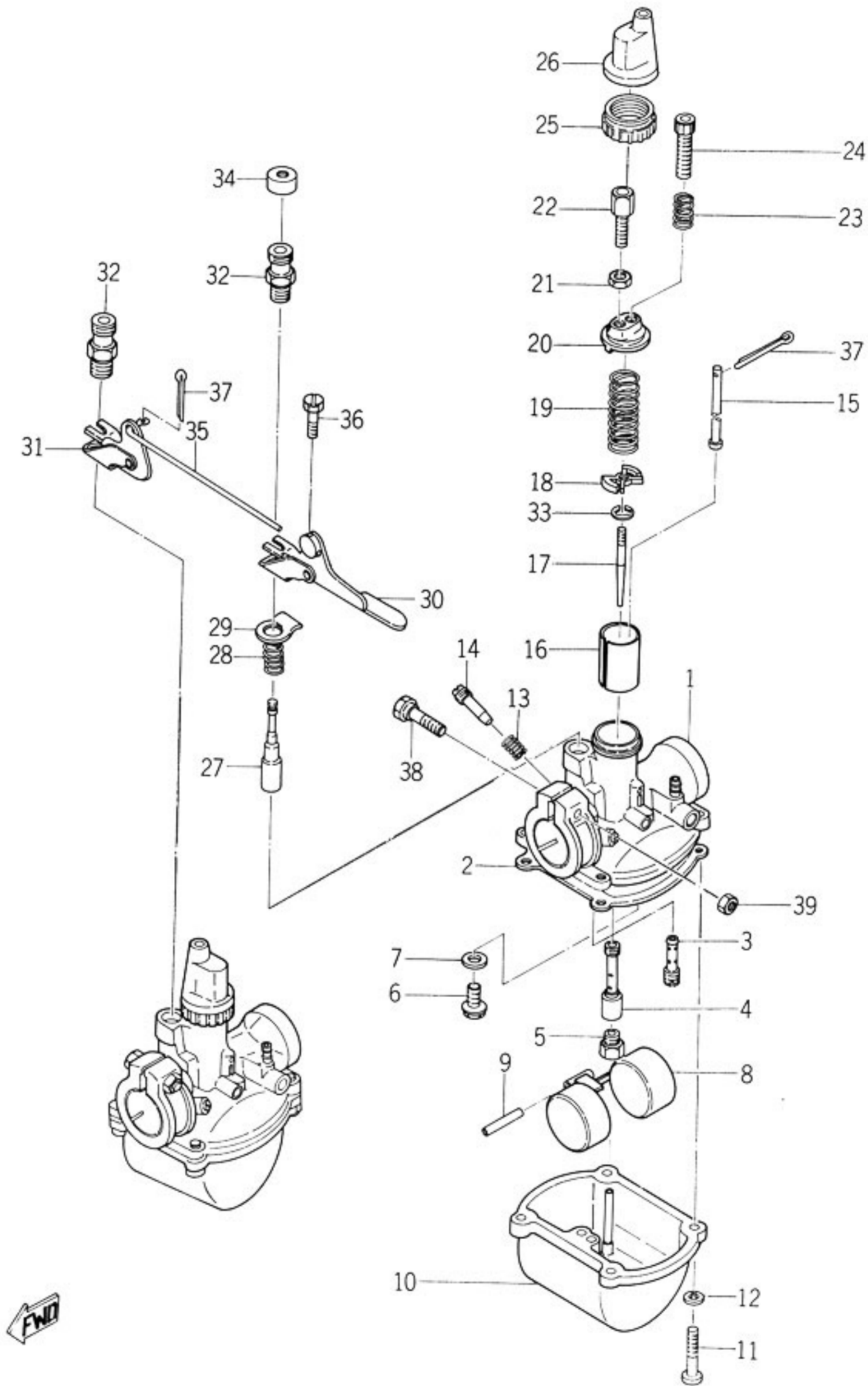
Ref. No.	Part No.	Part Name	Description	Qty		S - R	Remarks
				YLI	YLIE		
8- 1	131-15638-00	STOPPER, pawl		1	1		
8- 2	92701-06015	SCREW, flat head		2	2		
8- 3	132-15661-00	AXLE, kick		1	1		
8- 4	101-15637-00	SPRING, pawl		1	1		
8- 5	101-15636-00	PIN, push pawl		1	1		
8- 6	131-15635-00	PAWL, kick		1	1		
8- 7	132-15641-00	GEAR, kick	28T	1	1		
8- 8	137-15643-00	WASHER, wave		1	1		
8- 9	132-15644-00	SHIM (1)	15. 7-24-1. 2	1	1		
8-10	93410-15005	CIRCLIP	S-15	2	2		
8-11	132-15664-00	GUIDE, kick spring		1	1		
8-12	132-15665-00	SPRING, kick		1	1		
8-13	132-15676-00	COVER, kick spring		1	1		
8-14	93102-15002	SEAL, oil	SD-15-26-6	1	1		
8-15	132-15610-00	KICK CRANK ASS'Y		1	1		
8-16	132-15613-00	. WASHER, spring		1	1		
8-17	122-15612-01	. LEVER, kick		1	1		
8-18	93604-18017	. PIN, dowel	4-18	1	1		
8-19	156-15618-01	COVER, kick lever		1	1		
8-20	91201-06020	BOLT		1	1		

Fig. 9 AIR CLEANER



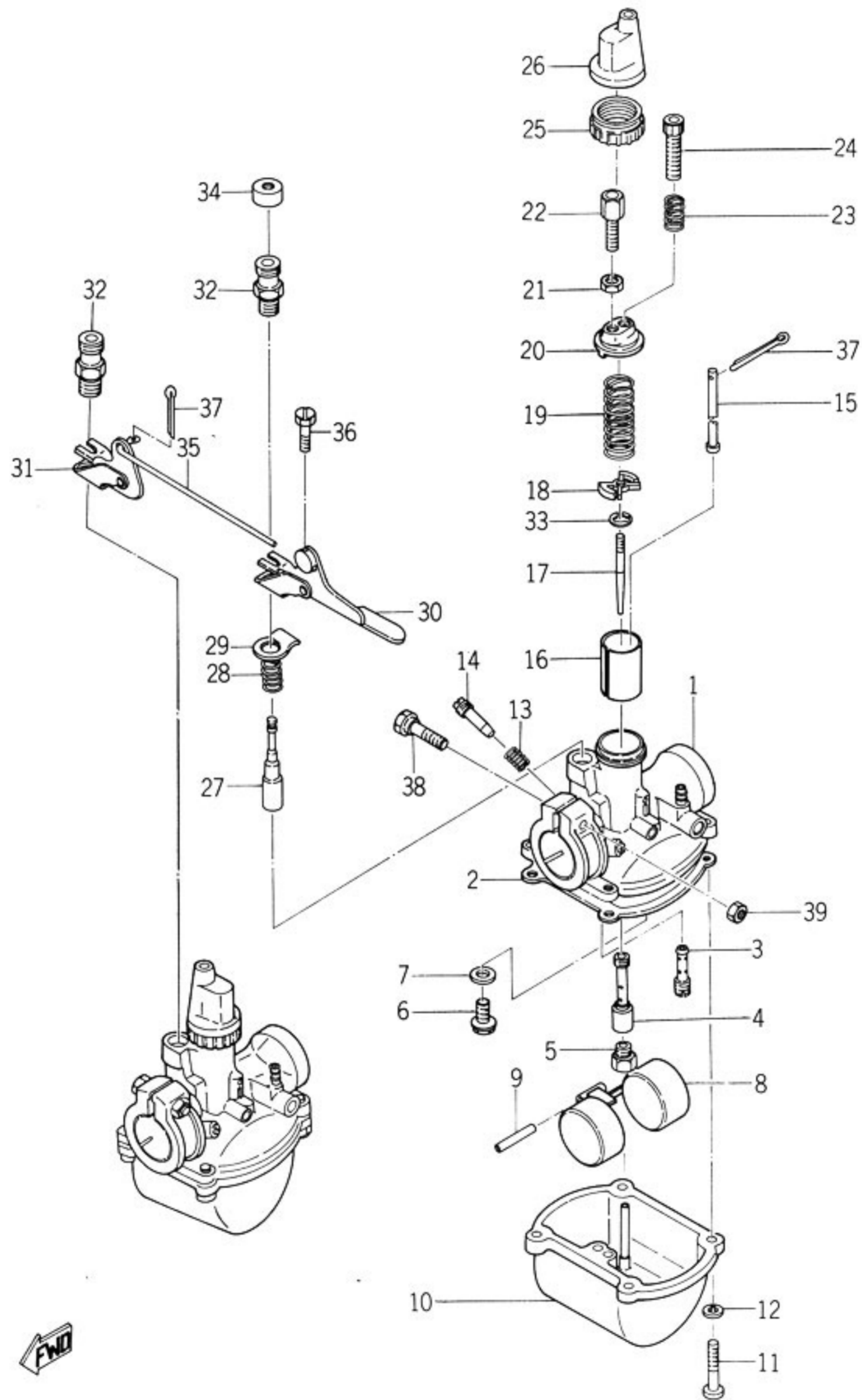
Ref. No.	Part No.	Part Name	Description	Qty		S · R	Remarks
				YLI	YLIE		
9- 1	132-14411-00	CASE, air cleaner		1			~ No. 32600
9- 1-1	132-14411-02	CASE, air cleaner		1			No. 32601 ~
9- 1-2	132-14411-02	CASE, air cleaner			1		
9- 2	132-14451-00	ELEMENT		1			~ No. 32600
9- 2-1	132-14451-02	ELEMENT		1			No. 32601 ~
9- 2-2	132-14451-02	ELEMENT			1		
9- 3	132-14412-00	CAP, air cleaner		1			~ No. 32600
9- 3-1	132-14412-02	CAP, air cleaner		1			No. 32601 ~
9- 3-2	132-14412-02	CAP, air cleaner			1		
9- 4	92501-06010	SCREW, pan head		2	2		
9- 5	92901-06200	WASHER, plain		2	2		
9- 6	92901-06100	WASHER, spring		2	2		
9- 7	92501-06010	SCREW, pan head		1	1		
9- 8	132-14454-00	JOINT, air cleaner		1			~No. 32600
9- 9	132-14454-01	JOINT, air cleaner		1			No. 32601 ~
9- 9-1	132-14454-01	JOINT, air cleaner			1		
9-10	102-14455-00	BAND, cleaner (1)		2	2		
9-11	132-14456-00	BAND, air cleaner (2)		1			No. 32601 ~
9-11-1	132-14456-00	BAND, air cleaner (2)			1		

Fig. 10 CARBURETOR



Ref. No.	Part No.	Part Name	Description	Qty		S · R	Remarks
				YLI	YLIE		
10- 0-1	134-14101-00	CARBURETOR ASS'Y (L. H)		1	1		.
10- 0-2	134-14102-00	CARBURETOR ASS'Y (R. H)		1	1		
10- 1		. BODY, mixing		2	2		△
10- 2	127-14184-00	. GASKET, float chamber		2	2		
10- 3	127-14142-17	. JET, pilot	#17.5	2	2		
10- 4	132-14141-10	. NOZZLE, main	E-0	2	2		
10- 5	127-14143-12	. JET, main	#60	2	2		
10- 5-1	127-14143-08	. JET, main	#40	2	2		
10- 5-2	127-14143-10	. JET, main	#50	2	2		
10- 5-3	127-14143-14	. JET, main	#70	2	2		
10- 5-4	127-14143-16	. JET, main	#80	2	2		
10- 6	127-14190-12	. VALVE SEAT ASS'Y	#1.2	2	2		
10- 7	127-14195-00	. WASHER, valve seat		2	2		
10- 8	102-14185-00	. FLOAT		2	2		
10- 9	127-14186-00	. PIN, float		2	2		
10-10	127-14181-00	. BODY, float chamber		2	2		
10-11	92501-04018	. SCREW, pan head		8	8		
10-12	92901-04100	. WASHER, spring		8	8		
10-13	127-14134-00	. SPRING, air adjusting		2	2		
10-14	127-14123-00	. SCREW, air adjusting		2	2		
10-15	127-14114-00	. BAR, throttle		2	2		
10-16	134-14112-15	. VALVE, throttle	#1.5	2	2		
10-17	134-14116-03	. NEEDLE	3D3-3	2	2		
10-18	127-14136-00	. SEAT, spring		2	2		
10-19	132-14131-00	. SPRING, throttle valve		2	2		
10-20	134-14158-00	. TOP, mixing chamber		2	2		
10-21	127-14161-00	. NUT, wire adjusting		2	2		
10-22	127-14124-20	. SCREW, wire adjusting	20L	2	2		
10-22-1	127-14124-23	. SCREW, wire adjusting	23L	2	2		
10-23	127-14133-00	. SPRING, throttle stop		2	2		
10-24	127-14121-00	. SCREW, throttle		2	2		
10-25	134-14168-00	. CAP, mixing chamber		2	2		
10-26	132-14169-00	. CAP		2	2		
10-27	132-14171-00	. PLUNGER, starter		2	2		

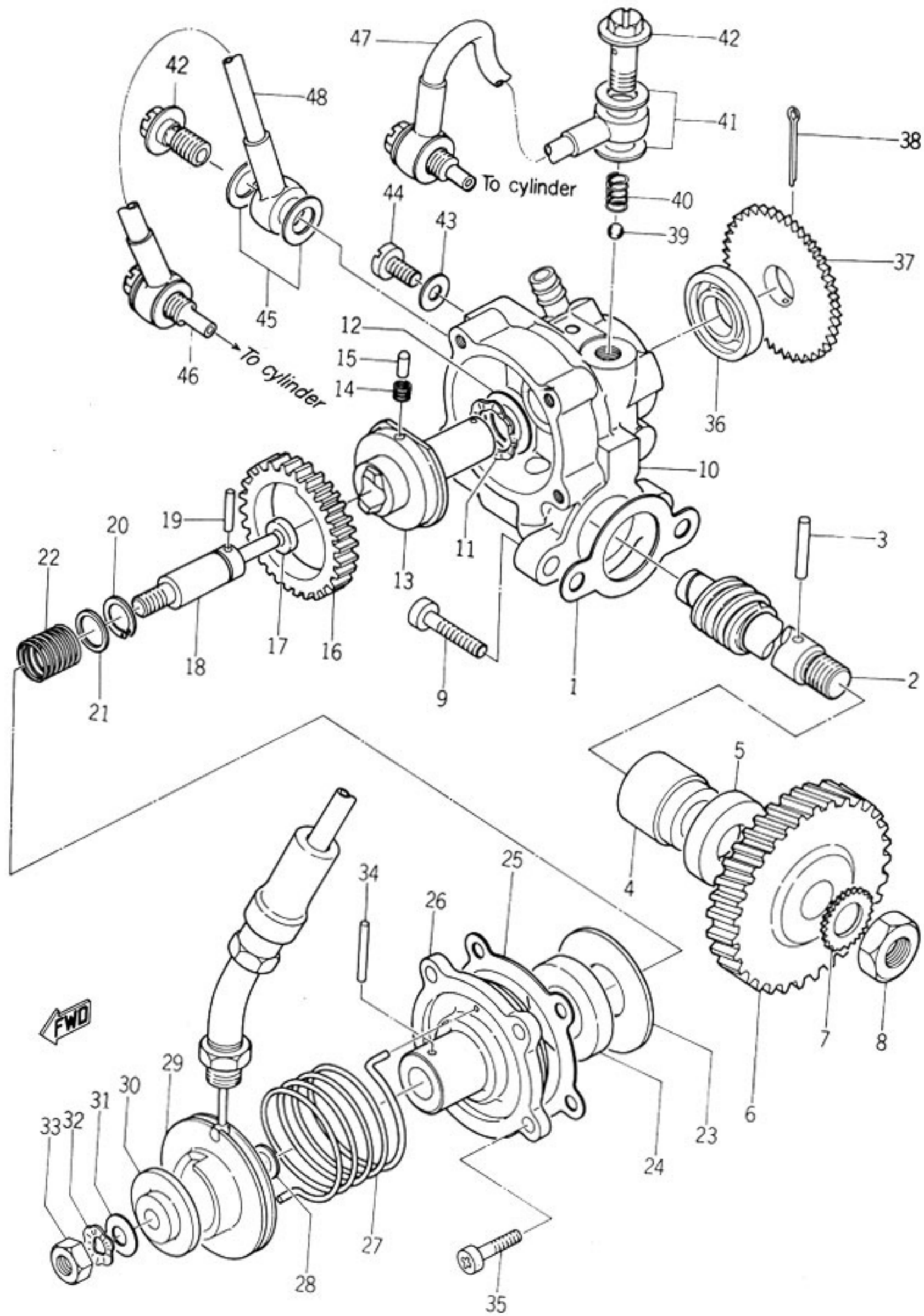
Fig. 10 CARBURETOR



Ref. No.	Part No.	Part Name	Description	Qty		S · R	Remarks
				YLI	YLIE		
10-28	132-14135-00	. SPRING, plunger		2	2		
10-29	132-14178-00	. PLATE, starter lever		1	1		
10-30	132-14175-00	. LEVER, starter (L. H)		1	1		
10-31	132-14176-00	. LEVER, starter (R. H)		1	1		
10-32	132-14174-00	. CAP, plunger		2	2		
10-33	127-14137-00	. CLIP		2	2		
10-34	132-14173-00	. COVER, plunger cap		2	2		
10-35	132-14177-00	. ROD, starter lever		1	1		
10-36	132-14486-00	. SCREW, rod		1	1		
10-37	91401-10010	. PIN, cotter		3	3		
10-38	127-14125-00	. SCREW, body fitting		2	2		
10-39	127-14164-00	. NUT, holding		2	2		

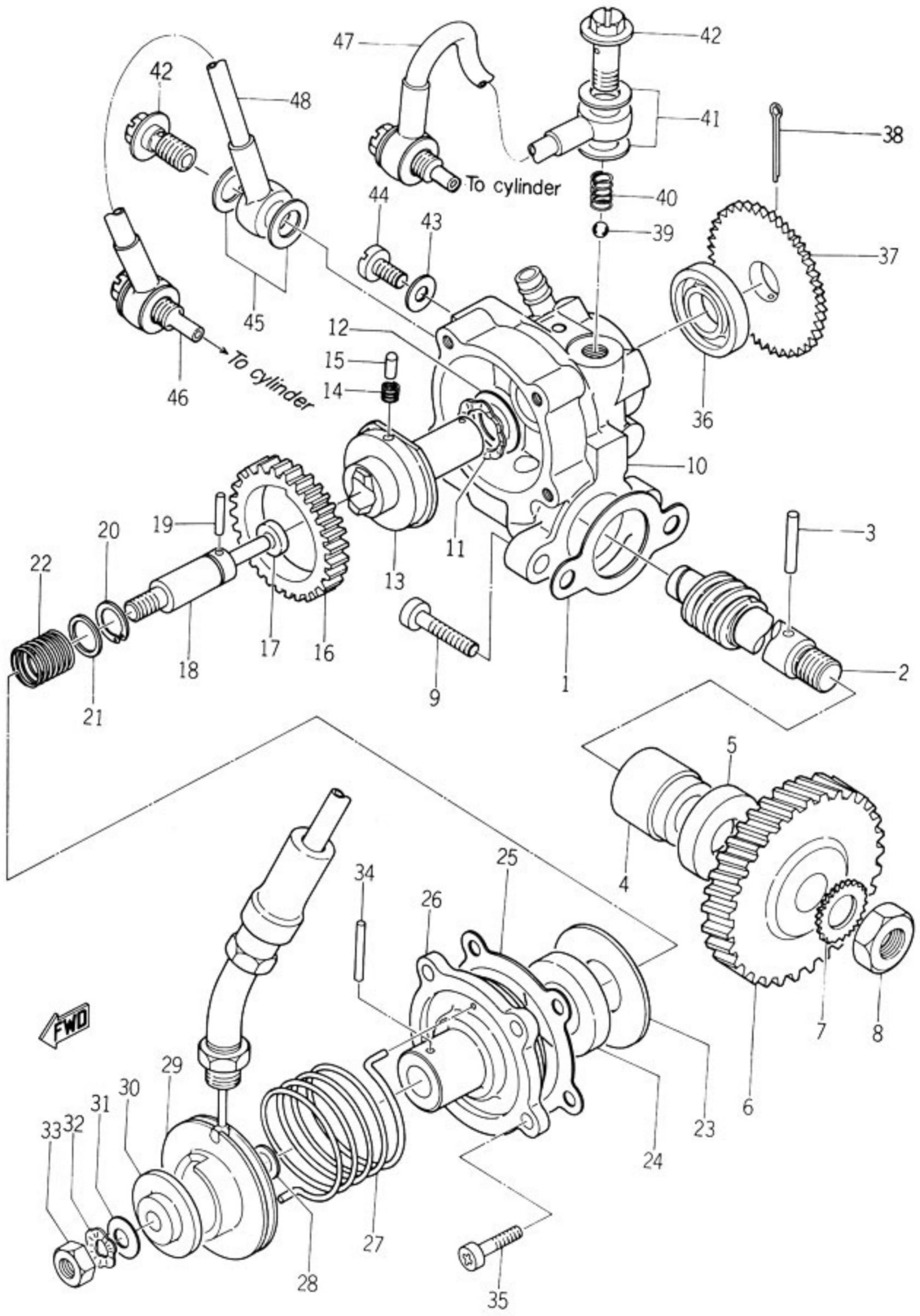
Ref. No.	Part No.	Part Name	Description	Qty		S · R	Remarks
				YLI	YLIE		
11- 1	132-14613-00	GASKET, exhaust pipe		2	2		
11- 2	134-14612-60	NUT, ring		2	2		
11- 3	134-14611-00	PIPE, exhaust (L. H)		1	1		
11- 4	134-14621-00	PIPE, exhaust (R. H)		1	1		
11- 5	132-14713-00	NUT, muffler joint		2	2		
11- 6	132-14714-00	GASKET, muffler joint		2	2		
11- 7	134-14710-02	MUFFLER ASS'Y (L. H)		1	1		
11- 8	134-14720-02	MUFFLER ASS'Y (R. H)		1	1		
11- 9	122-14753-00	. SILENCER		2	2		
11- 9-1	201-14753-00	. SILENCER		2	2		
11-10	92901-05100	. WASHER, spring		2	2		
11-11	92801-05100	. NUT		2	2		
11-12	102-27114-00	STOPPER, main stand		1	1		
11-13	92901-08100	WASHER, spring		2	2		
11-14	92801-08100	NUT		2	2		
PROPER PARTS TO U·S·A							
11- 7A	134-14710-21	MUFFLER ASS'Y (L. H)		1	1		
11- 8A	134-14720-21	MUFFLER ASS'Y (R. H)		1	1		
11-15	126-14786-20	. ARESTER, spark		2	2		
11-16	91201-05010	. BOLT		2	2		
11-17	92901-05100	. WASHER, spring		2	2		
11-18	126-14785-20	. DIFFUSER		2	2		
11-19	92901-06200	. WASHER, plain		2	2		
11-20	92901-06100	. WASHER, spring		2	2		
11-21	92801-06100	. NUT		2	2		

Fig. 12 OIL PUMP



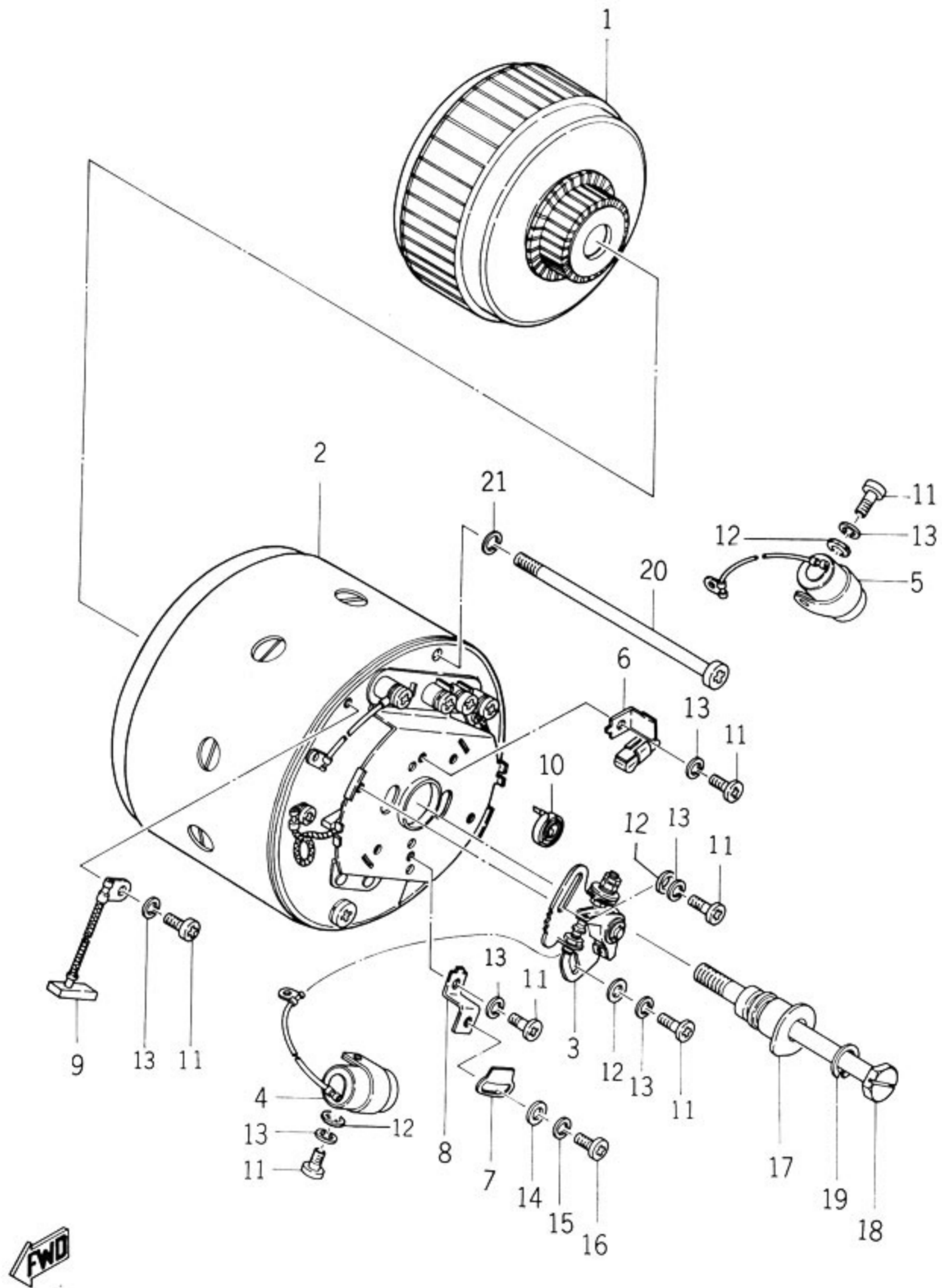
Ref. No.	Part No.	Part Name	Description	Qty		S · R	Remarks
				YLI	YLIE		
12- 1	126-13116-00	GASKET, pump case		1	1		
12- 2	132-13175-00	SHAFT, worm		1	1		
12- 3	93603-22028	PIN, dowel	3-21, 8	1	1		
12- 4	137-13176-00	METAL, worm shaft outer		1	1		
12- 5	93101-10002	SEAL, oil	S-10-22-7	1	1		
12- 6	132-13178-00	GEAR, drive	34T	1	1		
12- 7	92901-08400	WASHER, tooth		1	1		
12- 8	92801-08300	NUT		1	1		
12- 9	92501-05015	SCREW, pan head		2	2		
12- 0-1	132-13101-00	OIL PUMP ASS'Y		1	1		
12-10	156-13110-00	. PUMP CASE ASS'Y		1	1		△
12-11	137-13129-00	. WASHER, wave		1	1		
12-12	137-13148-00	. PLATE, cam thrust		1	1		
12-13	156-13120-00	. DISTRIBUTOR ASS'Y		1	1		△
12-14	137-13125-00	. SPRING, pin return		2	2		
12-15	93602-04029	. PIN, dowel	2-3, 5	2	2		
12-16	110-13124-00	. GEAR, worm wheel	62T	1	1		
12-17	93104-04001	. SEAL, oil	SO-4-9-3	1	1		
12-18	137-13131-00	. PLUNGER		1	1		△
12-19	93603-12030	. PIN, plunger		1	1		
12-20	93440-08001	. CIRCLIP		1	1		
12-21	137-13134-00	. SEAT, spring		2	2		
12-22	137-13135-00	. SPRING, plunger return		1	1		
12-23	137-13127-00	. PLATE, worm wheel		1	1		
12-24	93104-14004	. SEAL, oil	SO-14-25-5	1	1		
12-25	137-13142-00	. GASKET, pump case cover		1	1		
12-26	137-13141-00	. COVER, pump case		1	1		△
12-27	156-13145-00	. SPRING, adjust pulley		1	1		
12-28	137-13137-00	. SHIM, plunger		1	1		
12-29	132-13144-00	. PULLEY, adjusting		1	1		
12-30	137-13138-00	. PLATE, adjusting		1	1		
12-31	137-13147-00	. SHIM (2)		2	2		
12-32	137-13136-00	. WASHER, wave		1	1		
12-33	137-13139-00	. NUT, adjust plate		1	1		

Fig. 12 OIL PUMP



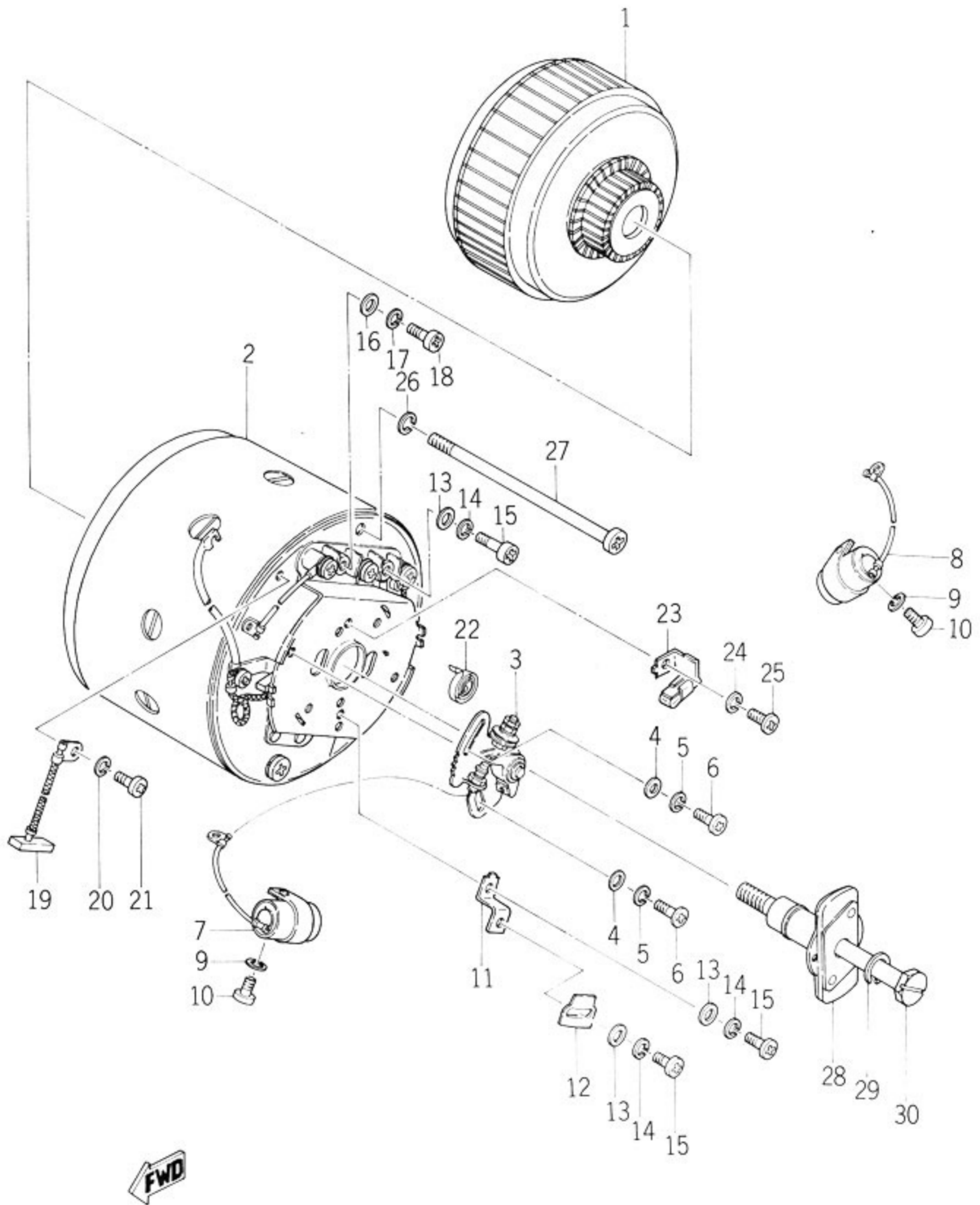
Ref. No.	Part No.	Part Name	Description	Qty		S · R	Remarks
				YLI	YLIE		
12-34	91608-20010	. PIN, spring		1	1		
12-35	92501-04010	. SCREW, pan head		4	4		
12-36	93101-10001	. SEAL, oil	S-10-21-5	1	1		
12-37	137-13128-00	. PLATE, starter		1	1		
12-38	91401-12018	. PIN, cotter	1.0-18	1	1		
12-39	93505-32002	. BALL	5/32"	2	2		☆
12-40	137-13169-00	. SPRING, check		2	2		
12-41	137-13167-00	. GASKET, banjo bolt (1)		4	4		
12-42	137-13165-00	. BOLT, banjo (1)		2	2		
12-43	137-13187-00	. GASKET, breather	4.2-8.5-0.5	1	1		
12-44	137-13185-00	. BOLT, breather		1	1		
12-45	156-13168-00	GASKET, banjo bolt (2)		4	4		
12-46	132-13166-00	BOLT, banjo (2)		2	2		
12-47	132-13161-00	PIPE, delivery (L. H)		1	1		
12-48	132-13171-00	PIPE, delivery (R. H)		1	1		

Fig. 13 GENERATOR (ONLY FOR YL I)



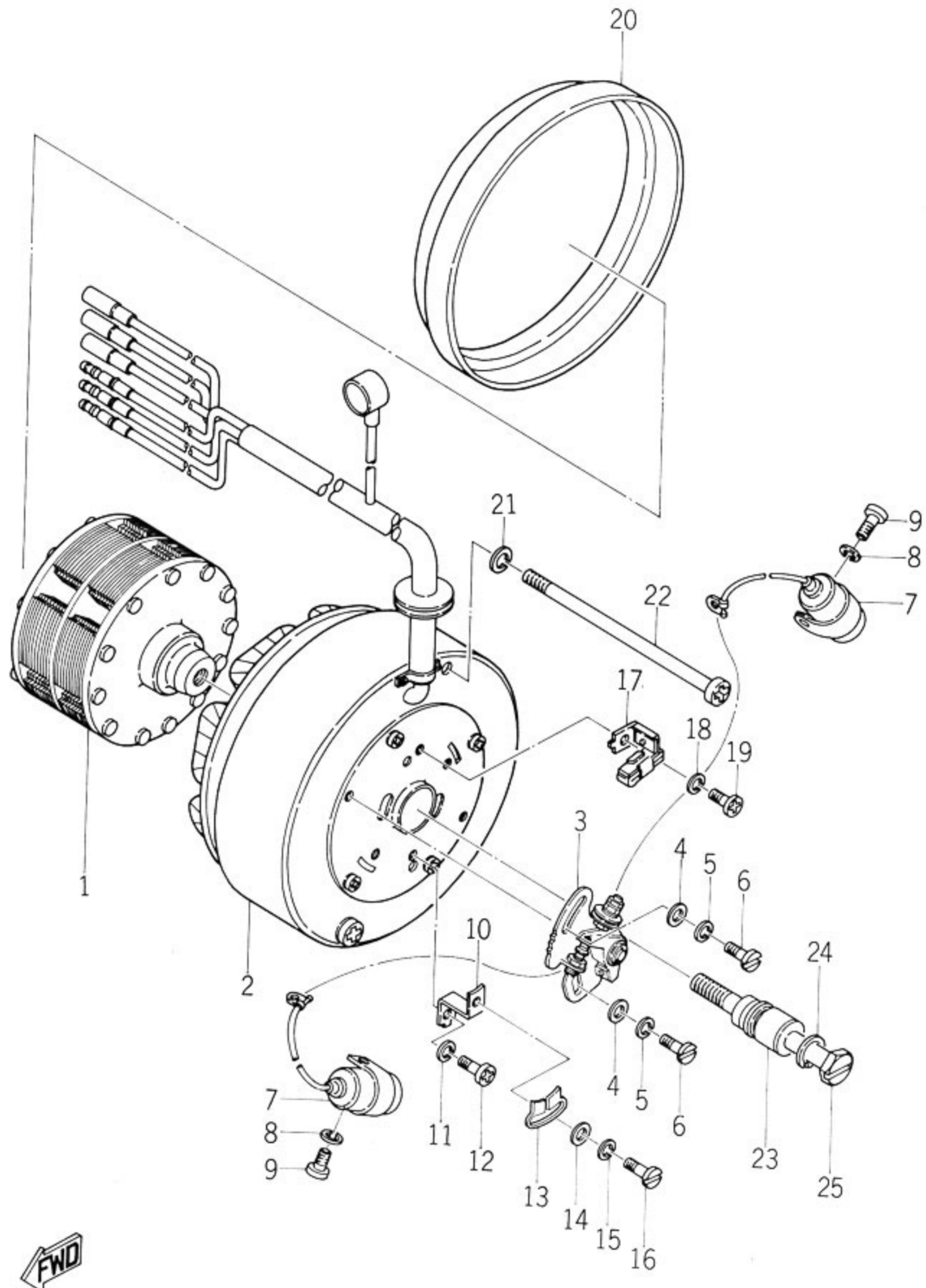
Ref. No.	Part No.	Part Name	Description	Qty		S - R	Remarks
				YLI	YLIE		
13- 0-1	132-81200-10	D. C. GENERATOR ASS'Y		1			
13- 1	132-81255-10	. ARMATURE		1			
13- 2	132-81210-10	. STATOR ASS'Y		1			
13- 3	132-81221-10	.. CONTACT BREAKER ASS'Y		2			
13- 4	132-81226-10	.. CONDENSER (L. H)		1			
13- 5	132-81225-10	.. CONDENSER (R. H)		1			
13- 6	132-81231-10	.. LUBRICATOR		1			
13- 7	132-81232-10	.. PLATE, timing		1			
13- 8	132-81233-10	.. FIXTURE, timing plate		1			
13- 9	132-81211-10	.. BRUSH		2			
13-10	141-81113-10	.. SPRING, brush		2			
13-11	92501-04008	.. SCREW, pan head		13			
13-12	92901-04200	.. WASHER, plain		8			
13-13	92901-04100	.. WASHER, spring		13			
13-14	92901-03200	.. WASHER, plain		1			
13-15	92901-03100	.. WASHER, spring		1			
13-16	92501-03006	.. SCREW, pan head		1			
13-17	132-81251-10	. CAM		1			
13-18	132-81252-10	. BOLT (7 ϕ)		1			
13-19	92901-08100	. WASHER, spring		1			
13-20	132-81235-10	. SCREW, stator		2			
13-21	92901-05100	. WASHER, spring		2			

Fig. 14 GENERATOR (ONLY FOR YL1E)



Ref. No.	Part No.	Part Name	Description	Qty		S - R	Remarks
				YLI	YLIE		
14- 0-1	176-81100-10	STARTER GENERATOR ASS'Y			1		
14- 1	176-81155-10	. ARMATURE			1		
14- 2	176-81110-10	. STATOR ASS'Y			1		
14- 3	132-81221-10	. . CONTACT BREAKER ASS'Y			2		
14- 4	92901-04200	. . WASHER, plain			4		
14- 5	92901-04100	. . WASHER, spring			4		
14- 6	92501-04008	. . SCREW, pan head			4		
14- 7	132-81226-10	. . CONDENSER (L. H)			1		
14- 8	132-81225-10	. . CONDENSER (R. H)			1		
14- 9	92901-04100	. . WASHER, spring			2		
14-10	92501-04008	. . SCREW, pan head			2		
14-11	133-81133-10	. . FIXTURE, timing plate			1		
14-12	133-81132-10	. . PLATE, timing			1		
14-13	92901-04200	. . WASHER, plain			5		
14-14	92901-04100	. . WASHER, spring			5		
14-15	92501-04008	. . SCREW, pan head			5		
14-16	92901-05200	. . WASHER, plain			1		
14-17	92901-05100	. . WASHER, spring			1		
14-18	92501-05008	. . SCREW, pan head			1		
14-19	141-81111-10	. . BRUSH			4		
14-20	92901-04100	. . WASHER, spring			4		
14-21	92501-04008	. . SCREW, pan head			4		
14-22	141-81113-10	. . SPRING, brush			4		
14-23	132-81231-10	. . LUBRICATOR			1		
14-24	92901-04100	. . WASHER, spring			1		
14-25	92501-04008	. . SCREW, pan head			1		
14-26	92901-05100	. WASHER, spring			2		
14-27	176-81135-10	. SCREW, stator			2		
14-28	133-81153-10	. GOVERNOR ASS'Y			1		
14-29	92901-08100	. WASHER, spring			1		
14-30	133-81152-10	. BOLT			1		

Fig. 15 A.C. MAGNET GENERATOR



Ref. No.	Part No.	Part Name	Description	Qty		S · R	Remarks
				YLI	YUE		
15- 0-1	132-81400-10	A. C. MAGNET GENERATOR ASS'Y		1			
15- 1	132-81450-10	. ROTER ASS'Y		1			
15- 2	132-81410-10	. STATOR ASS'Y		1			
15- 3	132-81221-10	.. CONTACT BREAKER ASS'Y		2			
15- 4	92901-04200	.. WASHER, plain		4			
15- 5	92901-04100	.. WASHER, spring		4			
15- 6	92301-04008	.. SCREW, cylinder head		4			
15- 7	132-81426-10	.. CONDENSER		2			
15- 8	92901-04100	.. WASHER, spring		2			
15- 9	92501-04008	.. SCREW, pan head		2			
15-10	132-81233-10	.. FIXTURE, timing plate		1			
15-11	92901-04100	.. WASHER, spring		1			
15-12	92501-04008	.. SCREW, pan head		1			
15-13	132-81232-10	.. PLATE, timing		1			
15-14	92901-03200	.. WASHER, plain		1			
15-15	92901-03100	.. WASHER, spring		1			
15-16	92301-03006	.. SCREW, cylinder head		1			
15-17	132-81231-10	.. LUBRICATOR		1			
15-18	92901-04100	.. WASHER, spring		1			
15-19	92501-04008	.. SCREW, pan head		1			
15-20	132-81419-10	. CASE, stator		1			
15-21	92901-05100	. WASHER, spring		2			
15-22	132-81435-10	. SCREW, stator		2			
15-23	132-81451-10	. CAM		1			
15-24	92901-08100	. WASHER, spring		1			
15-25	132-81452-10	. BOLT		1			

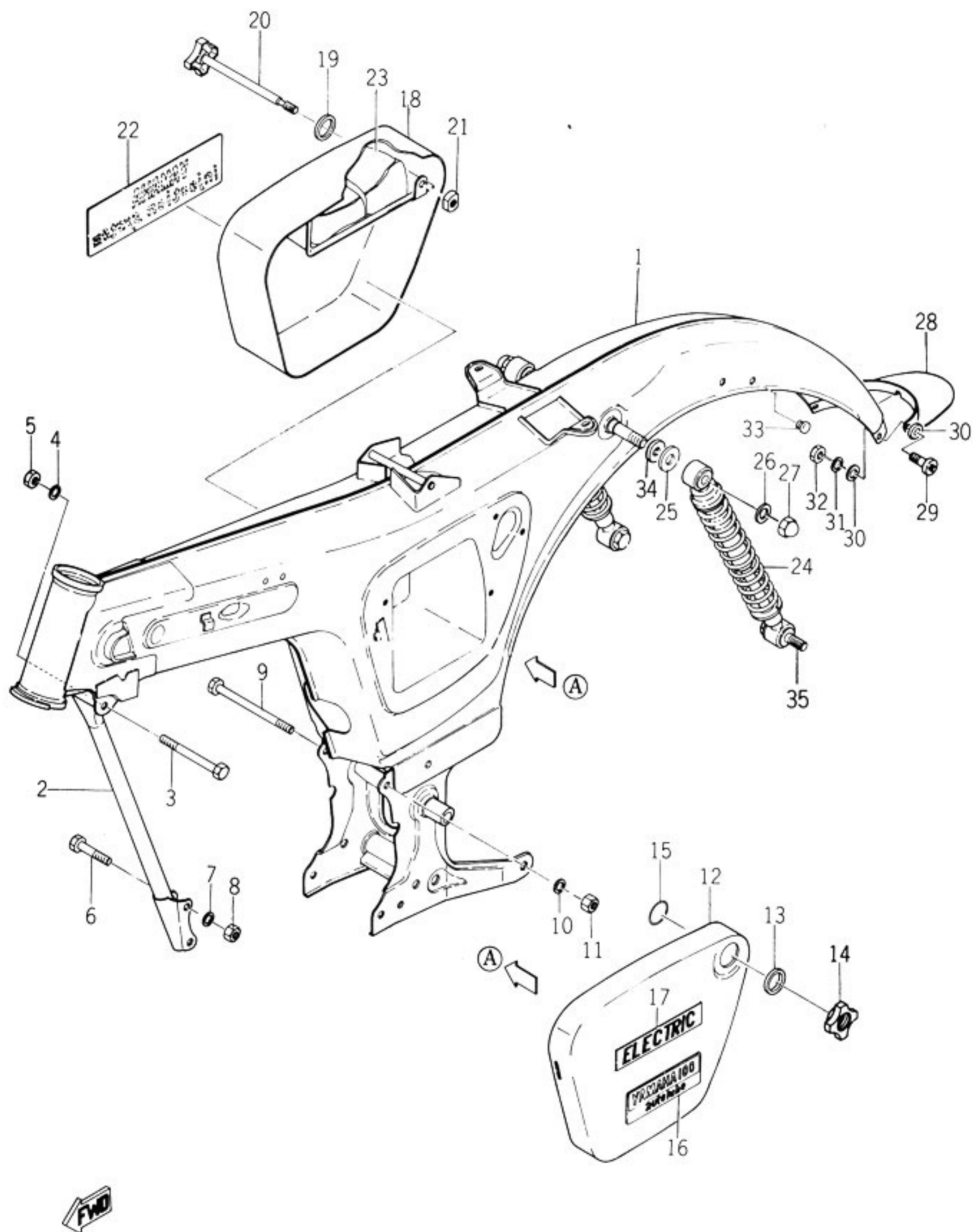




CHASSIS

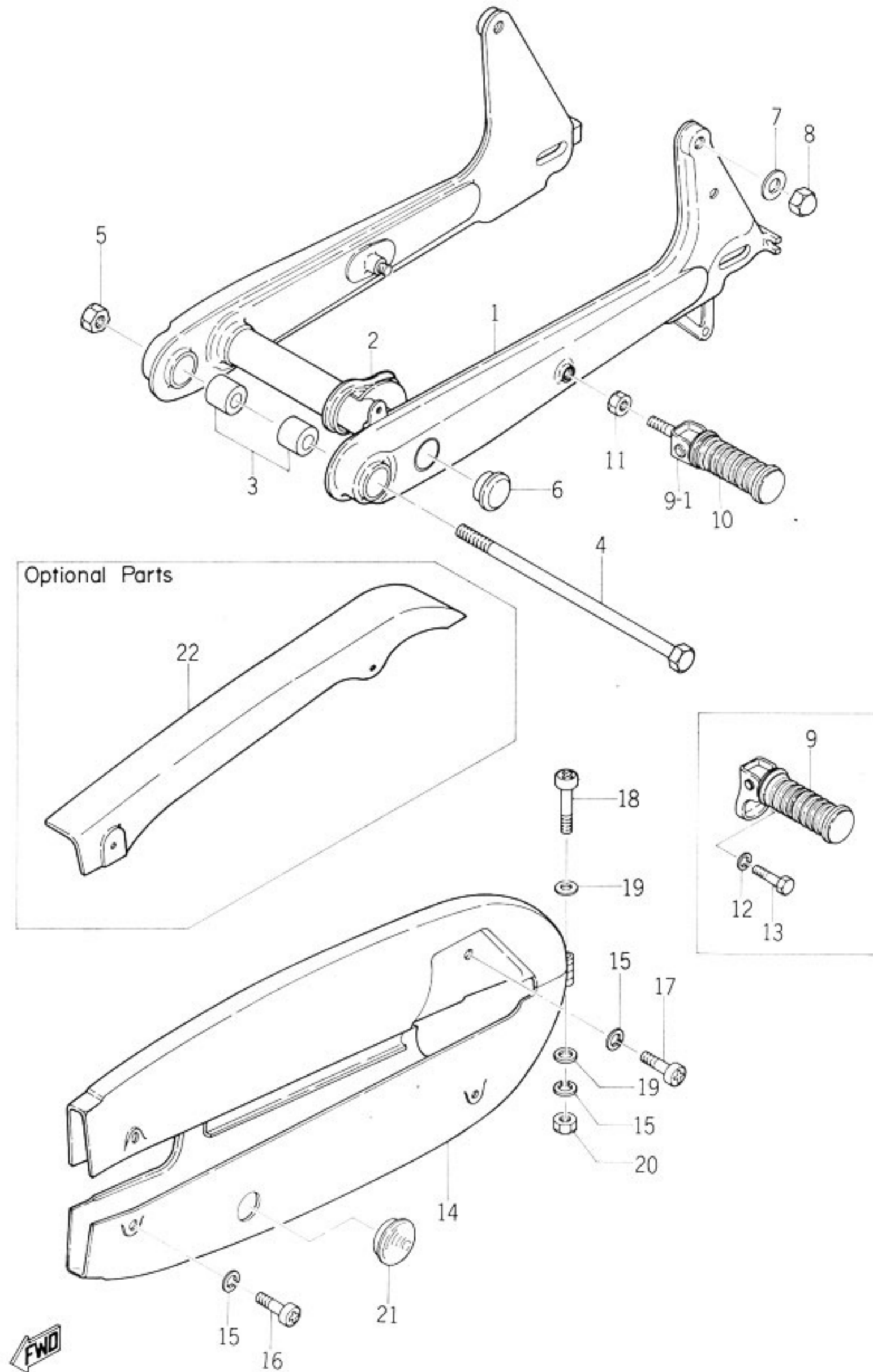


Fig. 16 FRAME



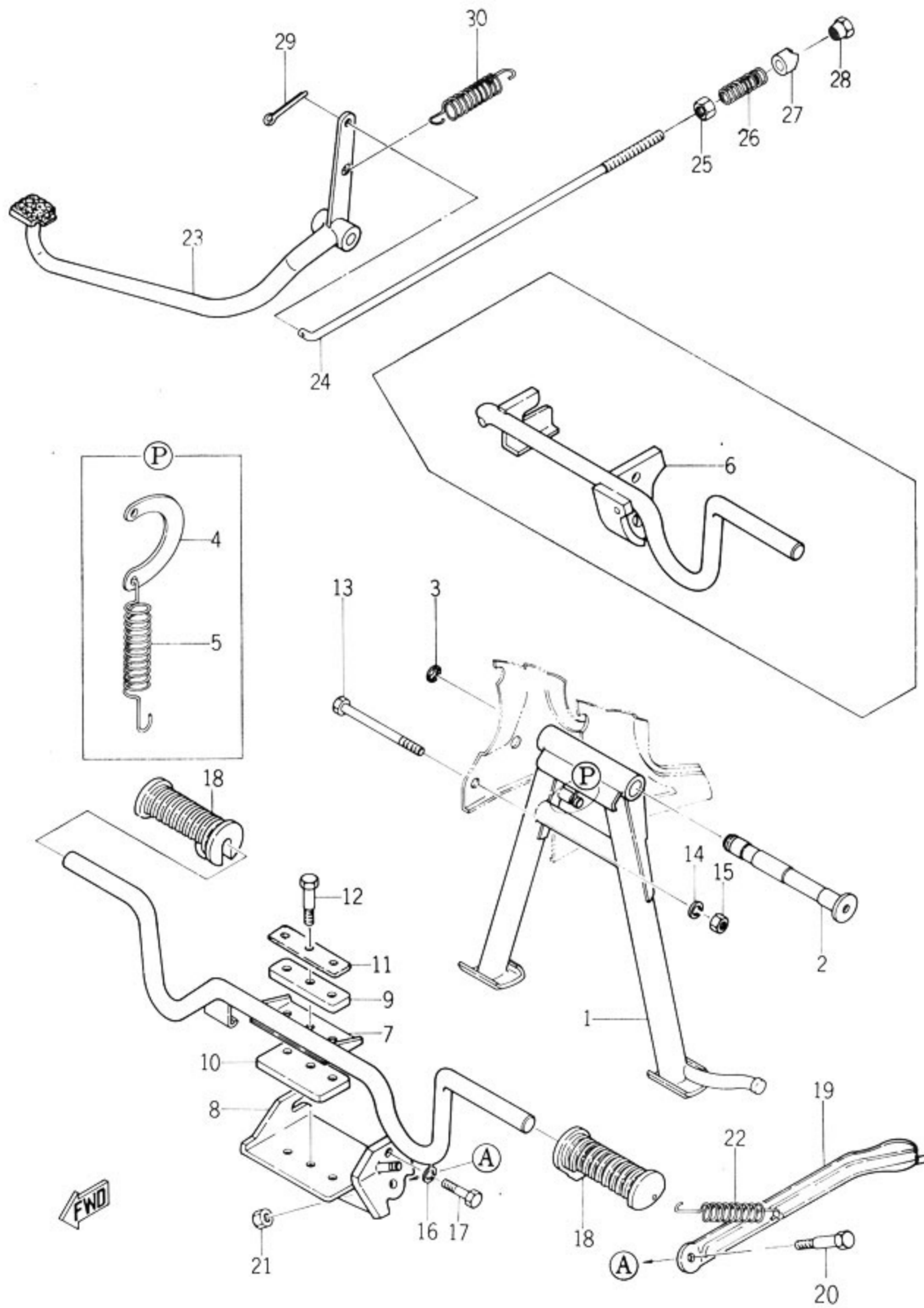
Ref. No.	Part No.	Part Name	Description	Qty		S · R	Remarks
				YLI	YLIE		
16- 1	132-21110-00	FRAME COMP		1	1		⊙
16- 2	134-21280-00	TUBE, down		1	1		
16- 3	91101-08065	BOLT		1	1		
16- 4	92901-08100	WASHER, spring		1	1		
16- 5	92803-08100	NUT		1	1		
16- 6	91101-08040	BOLT		2	2		
16- 7	92901-08100	WASHER, spring		2	2		
16- 8	92801-08100	NUT		2	2		
16- 9	91101-08110	BOLT		1	1		
16-10	92901-08100	WASHER, spring		2	2		
16-11	92801-08100	NUT		2	2		
16-12	122-21711-01	COVER, side (L.H)		1	1		⊙
16-13	122-21715-00	WASHER, side cover (L.H)	33-39-1	1	1		
16-14	102-21714-00	KNOB, side cover (L.H)		1	1		
16-15	102-21718-01	RING, stop	2.5-26	1	1		
16-16	134-21784-00	EMBLEM, side cover		1	1		
16-17	176-21787-00	EMBLEM, electric			1		
16-18	126-21721-01	COVER, side (R.H)		1	1		⊙
16-19	122-21725-00	WASHER, side cover (R.H)		1	1		
16-20	126-21724-00	KNOB, side cover (R.H)		1	1		
16-21	92801-06300	NUT		1	1		
16-22	137-21782-60	EMBLEM, injection		1	1		
16-23	102-28100-00	TOOL ASS'Y		1	1		☆
16-24	130-22210-00	REAR CUSHION ASS'Y		2	2		
16-25	122-22243-00	WASHER, rear cushion (1)	12-27-2	4	4		
16-26	122-22244-00	WASHER, rear cushion (2)	12-22-2	2	2		
16-27	122-22251-00	NUT, crown		2	2		
16-28	122-21621-00	FLAP, rear fender		1	1		
16-29	92501-06015	SCREW, pan head		3	3		
16-30	92901-06200	WASHER, plain		5	5		
16-31	92901-06100	WASHER, spring		3	3		
16-32	92801-06100	NUT		3	3		
16-33	101-21279-00	PLUG, blind		2	2		
16-34	122-24746-00	WASHER, double seat	12.5-27-3.2	2	2		
16-35	122-22242-00	BOLT, rear cushion		2	2		90101-12378

Fig. 17 REAR ARM AND CHAIN CASE



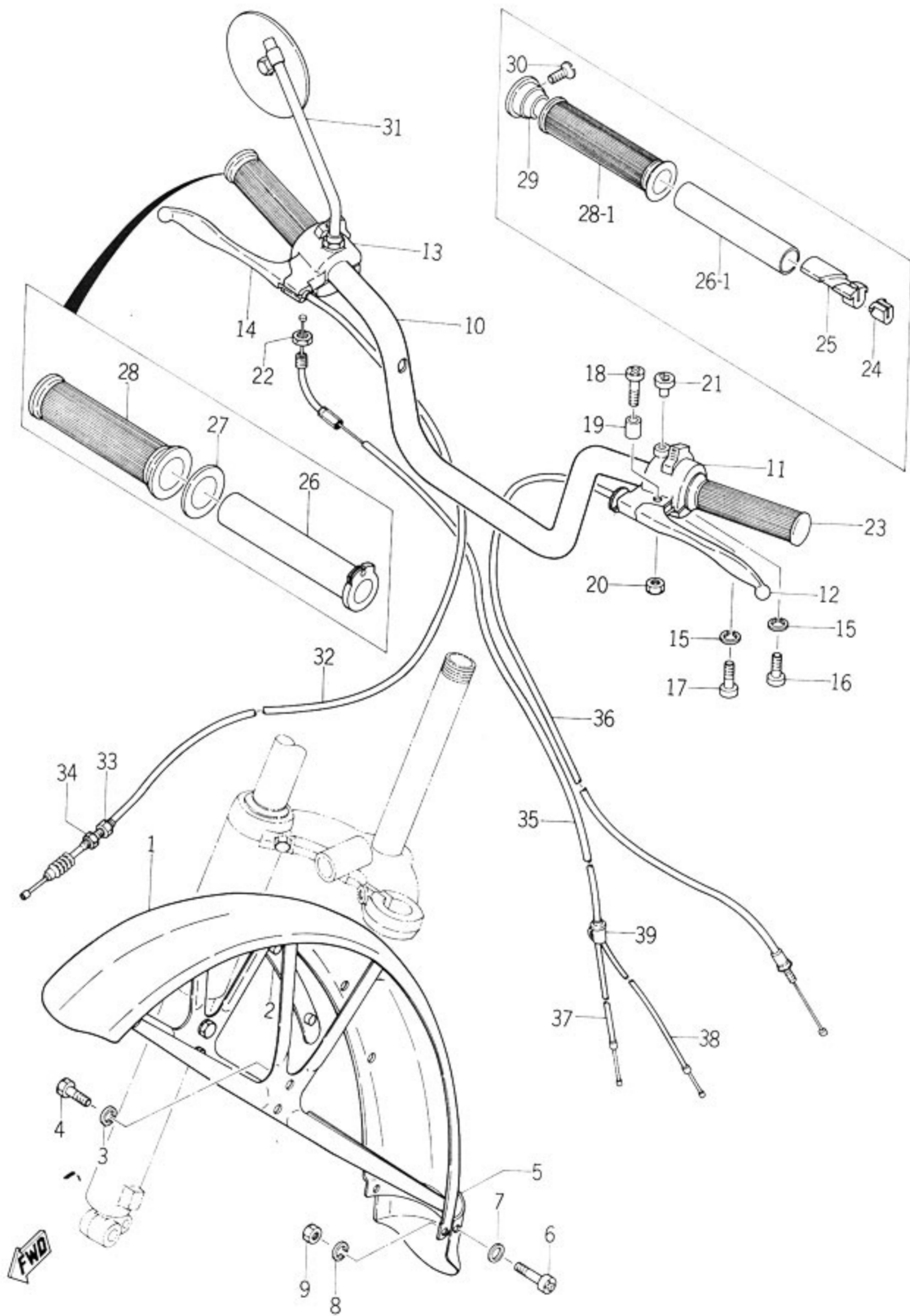
Ref. No.	Part No.	Part Name	Description	Qty		S · R	Remarks
				YLI	YLIE		
17- 1	122-22110-02	REAR ARM COMP		1	1		⊙
17- 2	122-22151-00	SEAL, guard		1	1		
17- 3	102-22123-00	BUSHING, rear arm		2	2		
17- 4	109-22141-00	SHAFT, pivot		1	1		
17- 5	92801-10100	NUT		1	1		
17- 6	102-22117-00	CAP, rear arm		1	1		
17- 7	122-22243-00	WASHER, rear cushion (1)	12-27-2	2	2		
17- 8	122-22251-00	NUT, crown		2	2		
17- 9	120-27430-00	REAR FOOT REST ASS'Y		2	2		
17- 9-1	120-27430-01	REAR FOOT REST ASS'Y		2	2		
17-10	120-27433-00	. COVER, foot rest		2	2		
17-11	128-27436-00	NUT, rear foot rest		2	2		
17-12	92901-10100	WASHER, spring		2	2		
17-13	91201-10020	BOLT		2	2		
17-14	132-22310-00	CHAIN CASE ASS'Y		1	1		⊙
17-15	92901-05100	WASHER, spring		5	5		
17-16	102-22331-00	SCREW, pan head		3	3		
17-17	92501-05020	SCREW, pan head		1	1		
17-18	92501-05035	SCREW, pan head		1	1		
17-19	92901-05200	WASHER, plain		2	2		
17-20	92801-05100	NUT		1	1		
17-21	146-22315-00	CAP		1	1		
OPTIONAL PARTS							
17- 1A	129-22110-00	REAR ARM COMP		1	1		⊙
17-22	128-22311-00	CASE, chain		1	1		

Fig. 18 STAND AND BRAKE PEDAL



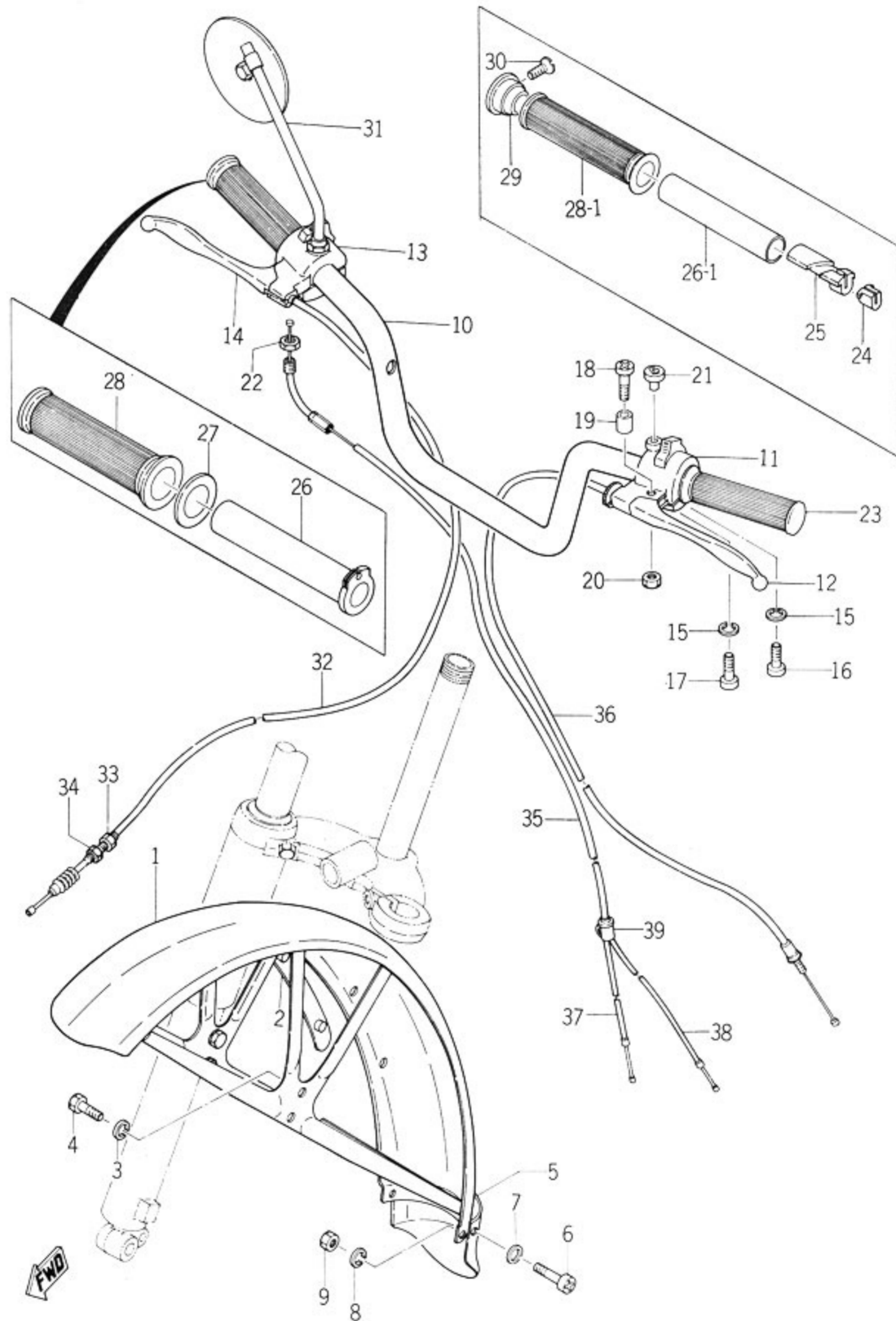
Ref. No.	Part No.	Part Name	Description	Qty		S · R	Remarks
				YL1	YL1E		
18- 1	132-27111-00	STAND, main		1	1		
18- 2	122-27112-00	SHAFT, main stand		1	1		
18- 3	93430-12008	CIRCLIP	E12	1	1		
18- 4	137-27115-00	LINK, main stand		1	1		
18- 5	136-27116-00	SPRING, main stand		1	1		
18- 6	132-27411-00	FOOT REST		1	1		YL1 ~ No. 53963 YL1E ~ No. 512852
18- 7	132-27411-01	FOOT REST		1	1		YL1 No. 53964 ~ YL1E No. 512853 ~
18- 8	132-27412-00	BRACKET, foot rest		1	1		YL1 No. 53964 ~ YL1E No. 512853 ~
18- 9	132-27414-00	DAMPER, rubber (1)		1	1		YL1 No. 53964 ~ YL1E No. 512853 ~
18-10	132-27422-00	DAMPER, rubber (2)		1	1		YL1 No. 53964 ~ YL1E No. 512853 ~
18-11	132-27417-00	WASHER, special		1	1		YL1 No. 53964 ~ YL1E No. 512853 ~
18-12	132-27416-00	BOLT, foot rest		3	3		YL1 No. 53964 ~ YL1E No. 512853 ~
18-13	91101-08130	BOLT		1	1		
18-14	92901-08100	WASHER, spring		1	1		
18-15	92801-08100	NUT		1	1		
18-16	92901-08100	WASHER, spring		1	1		
18-17	91201-08020	BOLT		1	1		
18-18	122-27413-00	COVER, foot rest		2	2		
18-19	132-27311-01	STAND, side		1	1		
18-20	122-27317-01	BOLT, side stand		1	1		
18-21	92801-08300	NUT		1	1		
18-22	150-27316-00	SPRING		1	1		
18-23	132-27211-00	PEDAL, brake		1	1		
18-24	102-27231-00	ROD, brake		1	1		
18-25	92801-06100	NUT		1	1		
18-26	148-27236-00	SPRING, rod		1	1		
18-27	148-27239-00	SEAT, spring		1	1		
18-28	109-27238-00	NUT, adjusting		1	1		
18-29	91401-12010	PIN, cotter	1.0-10	1	1		
18-30	109-27216-00	SPRING, return		1	1		

Fig. 19 HANDLE AND FRONT FENDER



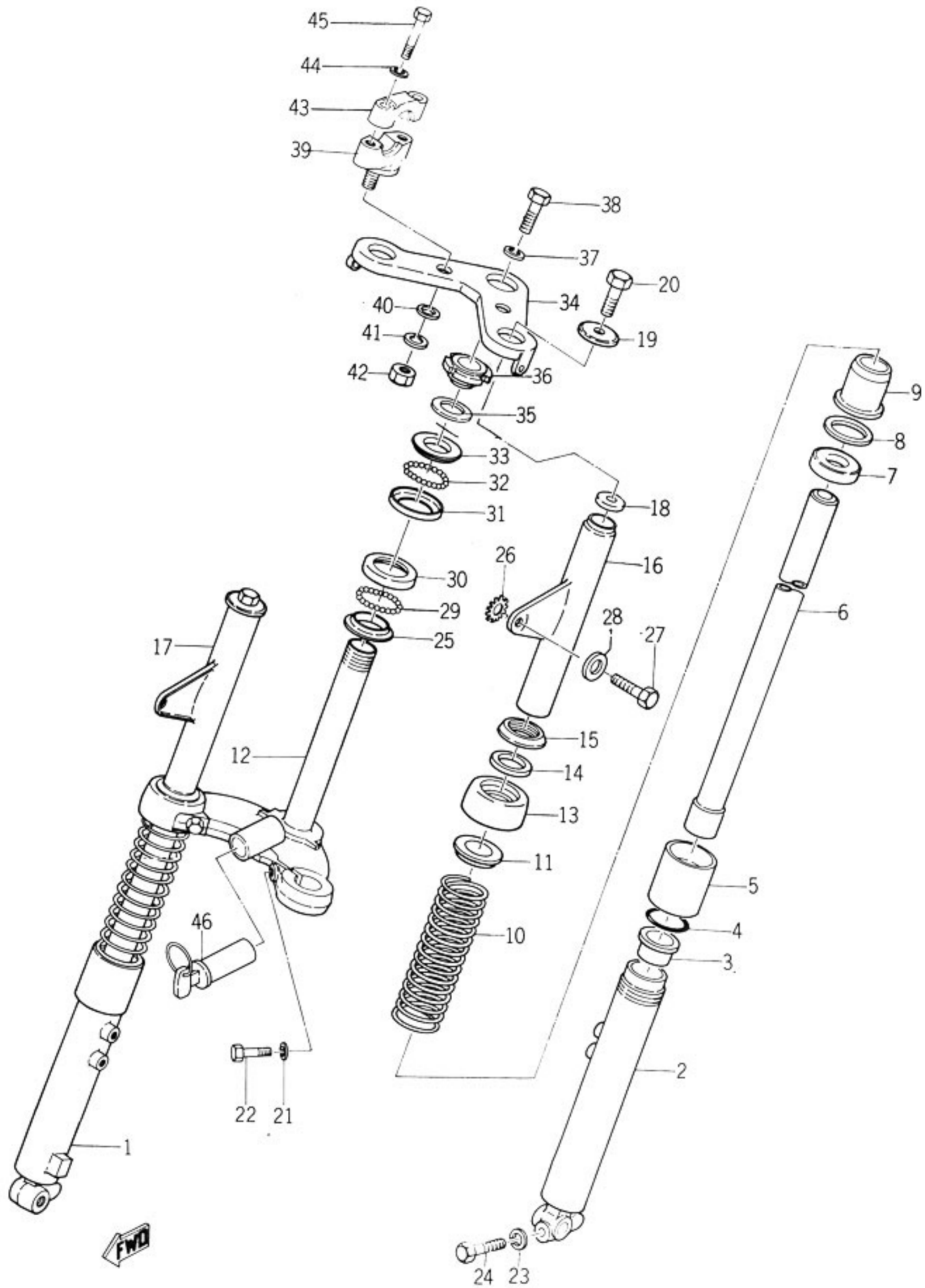
Ref. No.	Part No.	Part Name	Description	Qty		S · R	Remarks
				YLI	YLIE		
19- 1	129-21510-00	FRONT FENDER COMP		1	1		⊙
19- 2	122-21517-00	PAD, wire		1	1		
19- 3	92901-08100	WASHER, spring		4	4		
19- 4	91201-08012	BOLT		4	4		
19- 5	129-21521-00	FLAP, front fender		1	1		
19- 6	92501-06010	SCREW, pan head		3	3		
19- 7	92901-06200	WASHER, plain		3	3		
19- 8	92901-06100	WASHER, spring		3	3		
19- 9	92801-06300	NUT		3	3		
19-10	132-26111-00	HANDLE	S. T. D	1			
19-10-1	132-26111-01	HANDLE	S. T. D	1	1		
19-10A	132-26111-10	HANDLE	UP	1			
19-10A-1	115-26111-10	HANDLE	UP	1	1		
19-10B	132-26111-20	HANDLE	BAR	1			
19-10B-1	132-26111-21	HANDLE	BAR	1	1		
19-11	132-82910-00	LEVER HOLDER ASS'Y (L. H)	S. T. D	1	1		
19-11A	176-82910-00	LEVER HOLDER ASS'Y (L. H)	UP	1	1		
19-11B	132-82920-00	LEVER HOLDER ASS'Y (L. H)	BAR	1	1		
19-12	137-83912-00	. LEVER (L. H)		1	1		
19-12A	137-83912-01	. LEVER (L. H)		1	1		
19-13	132-82620-01	LEVER HOLDER ASS'Y (R. H)	S. T. D	1			
19-13-1	132-82820-00	LEVER HOLDER ASS'Y (R. H)	S. T. D	1			
19-13A	132-82620-11	LEVER HOLDER ASS'Y (R. H)	UP	1			
19-13A-1	109-82820-10	LEVER HOLDER ASS'Y (R. H)	UP	1			
19-13B	132-82620-21	LEVER HOLDER ASS'Y (R. H)	BAR	1			
19-13B-1	132-82820-20	LEVER HOLDER ASS'Y (R. H)	BAR	1			
19-13C	133-82820-00	LEVER HOLDER ASS'Y (R. H)	S. T. D		1		
19-13C-1	176-82820-00	LEVER HOLDER ASS'Y (R. H)	UP		1		
19-13C-2	133-82820-20	LEVER HOLDER ASS'Y (R. H)	BAR		1		
19-14	137-83922-00	. LEVER (R. H)		1	1		
19-14-1	137-83922-01	. LEVER (R. H)		1	1		
19-15	92901-05100	. WASHER, spring		6	6		
19-16	92501-05020	. SCREW, pan head		2	2		
19-17	92501-05025	. SCREW, pan head		4	4		

Fig. 19 HANDLE AND FRONT FENDER



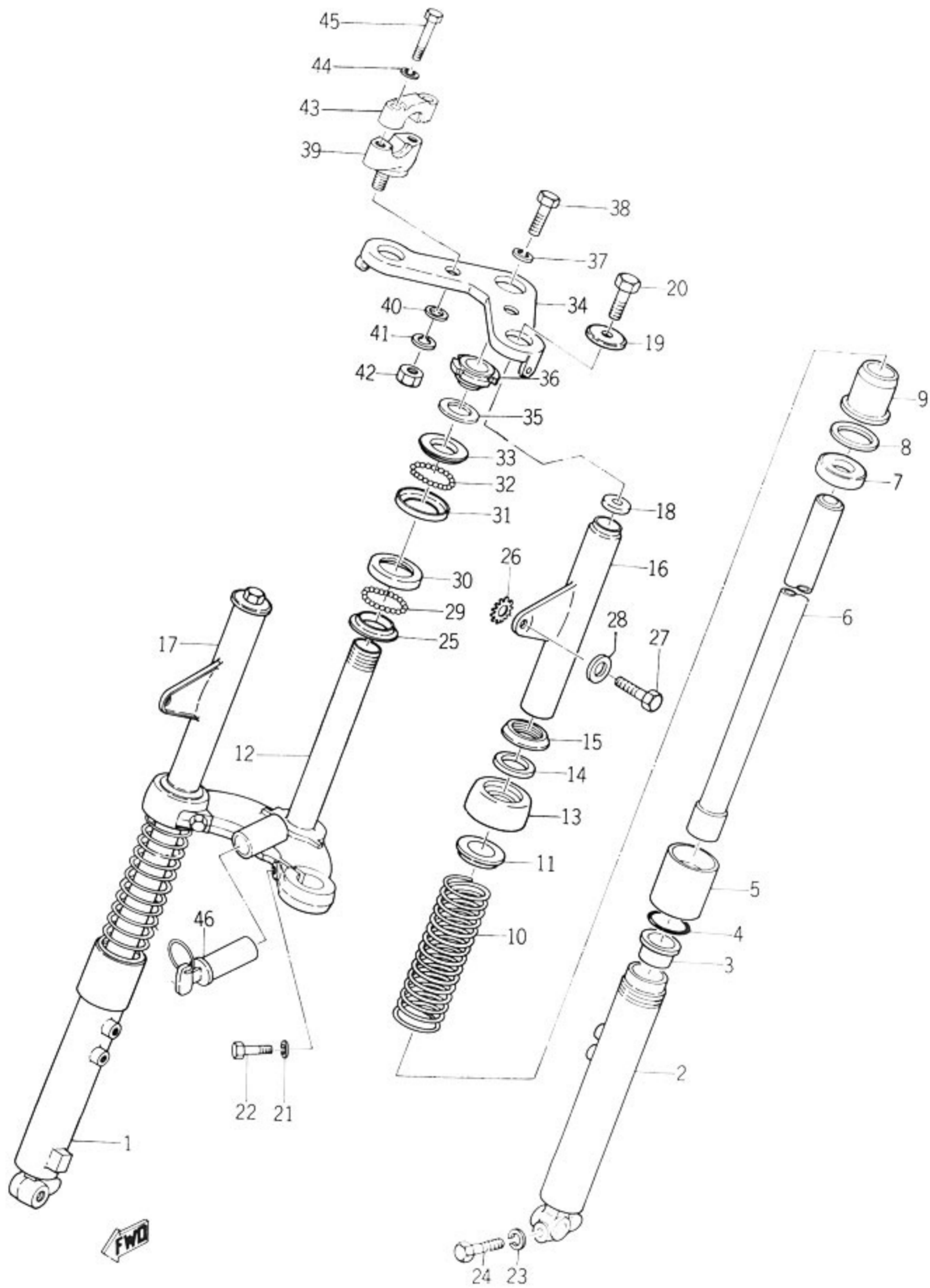
Ref. No.	Part No.	Part Name	Description	Qty		S · R	Remarks
				YLI	YLIE		
19-18	93503-05025	. SCREW, pan head		2	2		
19-19	137-83913-00	. COLLAR, lever		2	2		
19-20	92801-05100	. NUT		2	2		
19-21	116-83931-00	PLUG, blind		1	1		
19-22	156-26251-00	NUT, adjusting		1	1		
19-23	136-26241-00	GRIP (L. H)		1	1		
19-24	135-26245-00	STOPPER, throttle wire		1			
19-25	137-26244-00	SLIDER, throttle		1			
19-26	137-26243-60	TUBE, guide		1	1		
19-26-1	137-26243-00	TUBE, guide		1			
19-27	150-26249-00	RING, leaf		1	1		
19-28	137-26242-60	GRIP (R. H)		1	1		
19-28-1	136-26242-00	GRIP, handle (R. H)		1			
19-29	137-26246-00	END, grip		1			
19-30	92101-05010	SCREW, oval head		1			
19-31	116-26290-00	BACK MIRROR ASS'Y		1	1		
19-32	109-26341-01	WIRE, brake (1)	S. T. D	1	1		
19-32-1	132-26341-10	WIRE, brake (1)	UP	1	1		
19-32-2	132-26341-20	WIRE, brake (1)	BAR	1	1		
19-33	109-26345-00	BOLT, adjusting		1	1		
19-34	109-26344-00	NUT, adjusting		1	1		
19-35	132-26311-20	WIRE, throttle (1)	BAR	1			
19-35-1	132-26311-21	WIRE, throttle (1)	BAR	1	1		
19-35A	132-26311-10	WIRE, throttle (1)	UP	1			
19-35A-1	176-26311-00	WIRE, throttle (1)	UP	1	1		
19-35B	132-26311-00	WIRE, throttle (1)	S. T. D	1			
19-35B-1	132-26311-01	WIRE, throttle (1)	S. T. D	1	1		
19-36	132-26335-00	WIRE, clutch	S. T. D	1	1		
19-36-1	132-26335-10	WIRE, clutch	UP	1	1		
19-36-2	132-26335-20	WIRE, clutch	BAR	1	1		
19-37	156-26261-01	CYLINDER, wire		1	1		
19-38	132-26312-00	WIRE, throttle (2)		2	2		
19-39	132-26321-00	WIRE, pump		1	1		

Fig.20 FRONT FORK



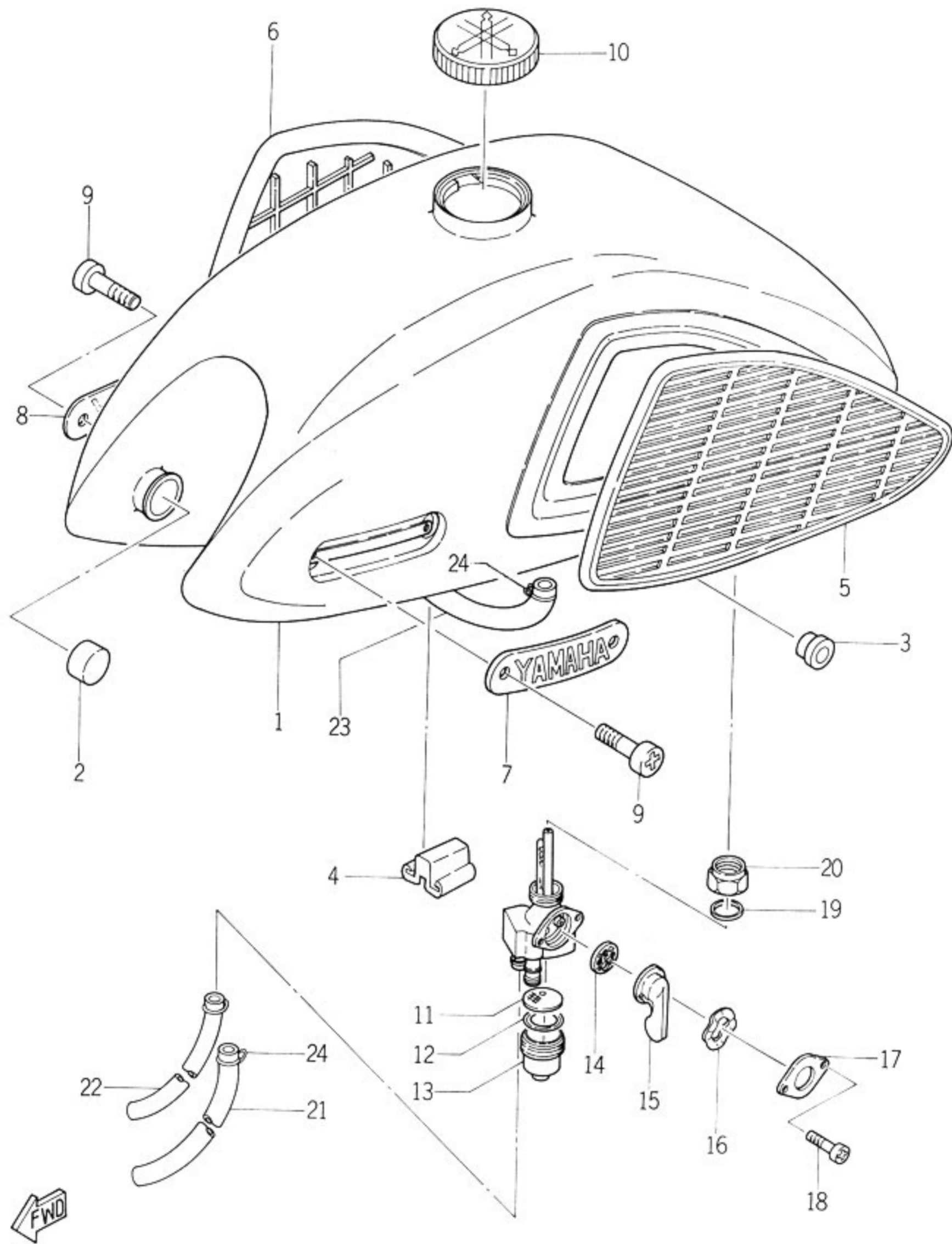
Ref. No.	Part No.	Part Name	Description	Qty		S · R	Remarks
				YLI	YLIE		
20- 0-1	134-23100-00	FRONT FORK ASS'Y		1	1		⊙
20- 1	124-23136-00	. TUBE, outer (R. H)		1	1		⊙
20- 2	124-23126-00	. TUBE, outer (L. H)		1	1		⊙
20- 3	122-23125-00	. METAL, slide		2	2		
20- 4	122-23147-00	. RING, "O"		2	2		
20- 5	128-23127-00	. NUT, outer		2	2		
20- 6	134-23124-00	. TUBE, inner		2	2		
20- 7	122-23145-00	. SEAL, oil		2	2		
20- 8	122-23146-00	. WASHER, oil seal		2	2		
20- 9	122-23143-00	. SEAT, spring under		2	2		
20-10	134-23141-00	. SPRING, fork		2	2		
20-11	124-23142-00	. SEAT, spring upper		2	2		
20-12	122-23340-00	. UNDER BRACKET COMP		1	1		
20-13	124-23122-00	. COVER, outer		2	2		
20-14	122-23163-00	. PACKING, lamp stay		2	2		
20-15	122-23116-00	. GUIDE, cover under		2	2		
20-16	122-23121-00	. COVER, upper (L. H)		1	1		⊙
20-17	122-23131-00	. COVER, upper (R. H)		1	1		⊙
20-18	122-23114-00	. PACKING, O-ring		2	2		
20-19	122-23112-00	. WASHER, cap		2	2		
20-20	122-23111-00	. BOLT, cap		2	2		
20-21	92901-10100	. WASHER, spring		2	2		
20-22	122-23346-00	. BOLT, under bracket		2	2		
20-23	92901-08100	. WASHER, spring		1	1		
20-24	91201-08025	. BOLT		1	1		
20-25	156-23412-00	. RACE, ball (2)		1	1		☆
20-26	92901-08400	WASHER, tooth		2	2		
20-27	91204-08018	BOLT		2	2		
20-28	92903-08200	WASHER, plain		2	2		
20-29	93501-04004	BALL	1/4"	19	19		☆
20-30	156-23411-00	RACE, ball (1)		1	1		☆
20-31	122-23411-00	RACE, ball (1)		1	1		☆
20-32	93503-16003	BALL	3/16"	22	22		☆
20-33	122-23412-00	RACE, ball (2)		1	1		☆

Fig.20 FRONT FORK



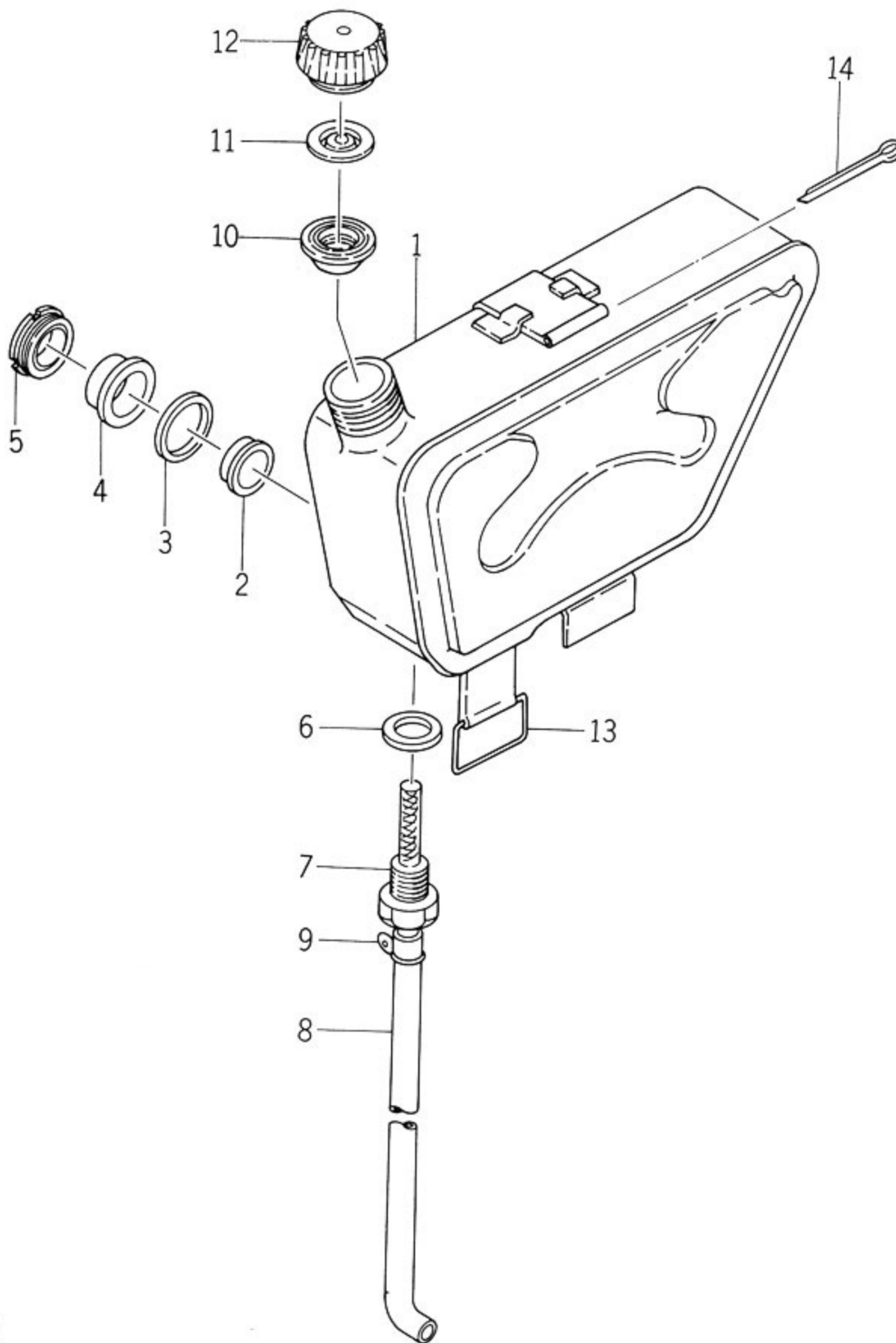
Ref. No.	Part No.	Part Name	Description	Qty		S - R	Remarks
				YLI	YLIE		
20-34	122-23435-01	CROWN, handle		1	1		
20-35	122-23416-00	COVER, ball race		1	1		
20-36	122-23453-00	NUT, fitting		1	1		
20-37	122-23443-00	WASHER, crown		1	1		
20-38	122-23451-00	BOLT, fitting	16-24	1	1		
20-39	122-23442-02	HOLDER, handle under		2	2		
20-40	92902-10200	WASHER, plain		2	2		
20-41	92901-10100	WASHER, spring		2	2		
20-42	92801-10100	NUT		2	2		
20-43	122-23441-00	HOLDER, handle upper		2	2		
20-44	92901-06100	WASHER, spring		4	4		
20-45	91104-06040	BOLT		4	4		
20-46	122-23480-00	STEERING LOCK ASS'Y		1	1		

Fig.21 TANK



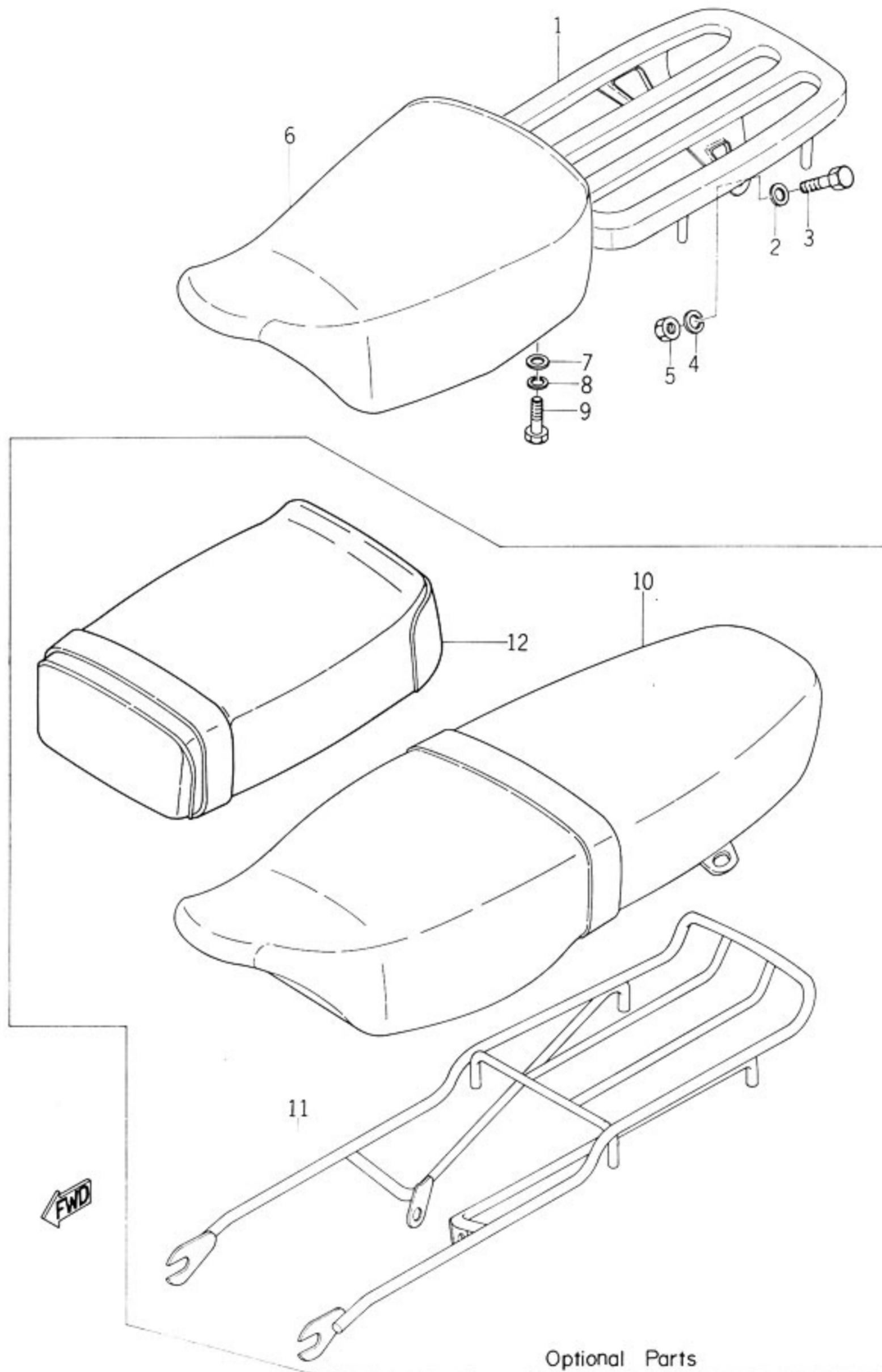
Ref. No.	Part No.	Part Name	Description	Qty		S - R	Remarks
				YLT	YLIE		
21- 1	132-24110-00	FUEL TANK COMP		1	1		⊙
21- 2	122-24181-00	DAMPER, locating (1)		2	2		
21- 3	122-24182-00	DAMPER, locating (2)		2	2		
21- 4	129-24183-00	DAMPER, locating (3)		1	1		
21- 5	132-24171-00	GRIP, knee (L, H)		1	1		
21- 6	132-24172-00	GRIP, knee (R, H)		1	1		
21- 7	132-24161-00	EMBLEM		1	1		
21- 8	132-24161-00	EMBLEM		1	1		
21- 9	92501-04008	SCREW, pan head		4	4		
21-10	122-24610-00	CAP ASS'Y		1	1		
21- 0-1	132-24500-01	FUEL COCK ASS'Y		1	1		
21-11	132-24515-00	. NET, filter		1	1		
21-12	132-24522-00	. GASKET, filter		1	1		
21-13	132-24521-00	. CUP, filter		1	1		
21-14	132-24523-00	. VALVE		1	1		
21-14-1	137-24523-00	. VALVE		1	1		
21-15	132-24524-00	. LEVER, cock		1	1		
21-15-1	168-24524-00	. LEVER, cock		1	1		
21-16	132-24518-00	. WASHER, wave		1	1		
21-17	132-24525-00	. PLATE, lever fitting		1	1		
21-18	92501-03005	. SCREW, pan head		2	2		
21-19	132-24532-00	. GASKET, nut		1	1		
21-20	132-24531-00	. NUT		1	1		
21-21	132-24312-00	PIPE, fuel		1	1		
21-22	132-24311-00	PIPE, fuel		1	1		
21-23	132-24331-00	PIPE, level		1	1		
21-24	101-24356-00	CLIP, pipe		6	6		

Fig.22 OIL TANK



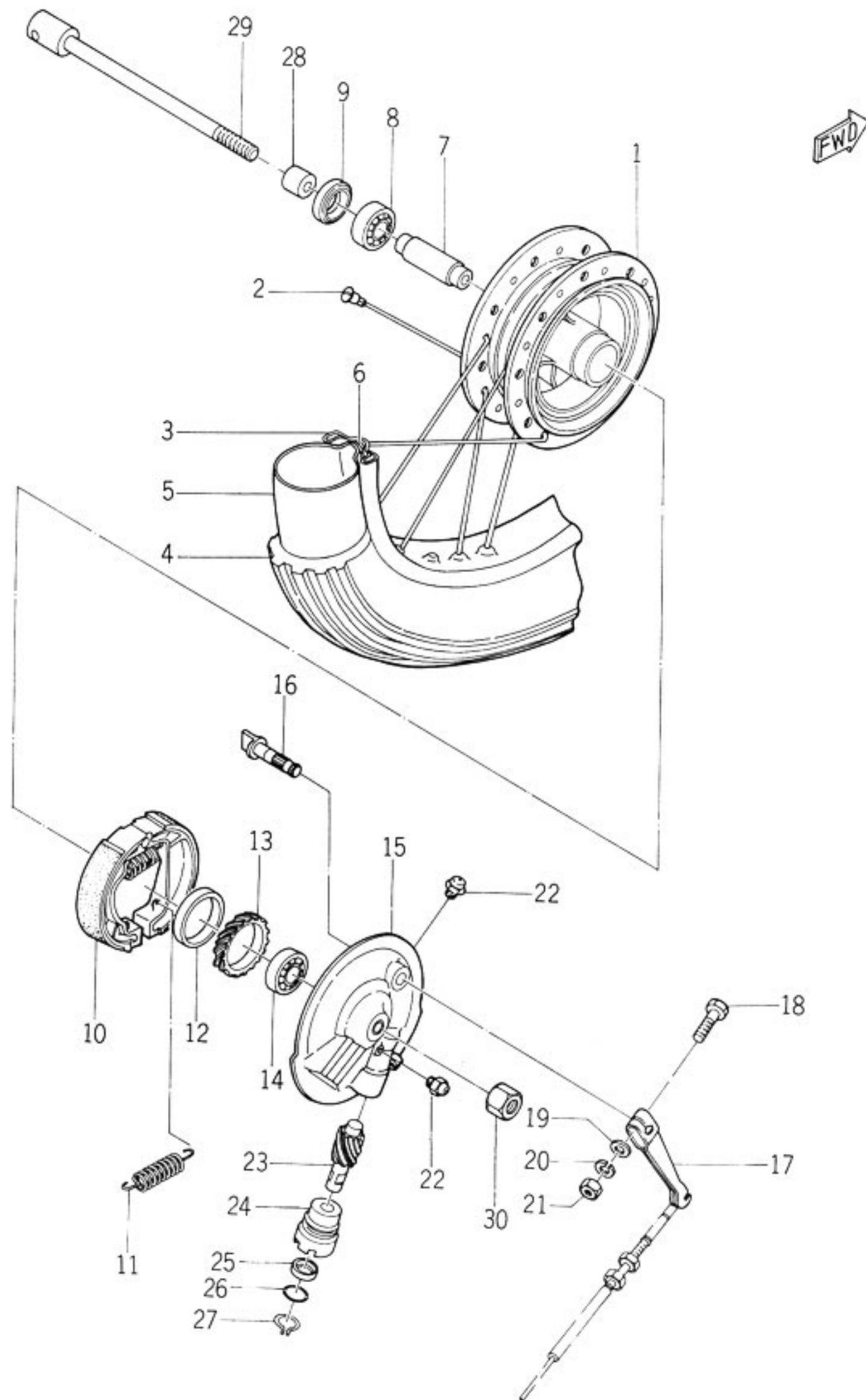
Ref. No.	Part No.	Part Name	Description	Qty		S · R	· Remarks
				YLI	YLIE		
22- 1	126-21751-01	TANK, oil		1	1		
22- 2	137-21761-00	GAUGE, level		1	1		
22- 3	137-21763-00	GASKET, level gauge		1	1		
22- 4	126-21764-00	CAP, level gauge		1	1		
22- 5	126-21762-00	NUT, level gauge		1	1		
22- 6	137-21767-00	GASKET, union	10. 2-15-1. 5	1	1		
22- 7	137-21768-01	SCREW, union		1	1		
22- 8	132-24319-01	PIPE, oil		1	1		
22- 9	101-24356-00	CLIP, pipe		2	2		
22-10	126-21772-00	GASKET, cap		1	1		
22-11	126-21765-00	CAP, disc		1	1		
22-12	126-21771-00	BODY, cap		1	1		
22-13	126-21776-00	BAND, tank fitting		1	1		
22-14	91401-30040	PIN, cotter		1	1		

Fig.23 SEAT AND CARRIER



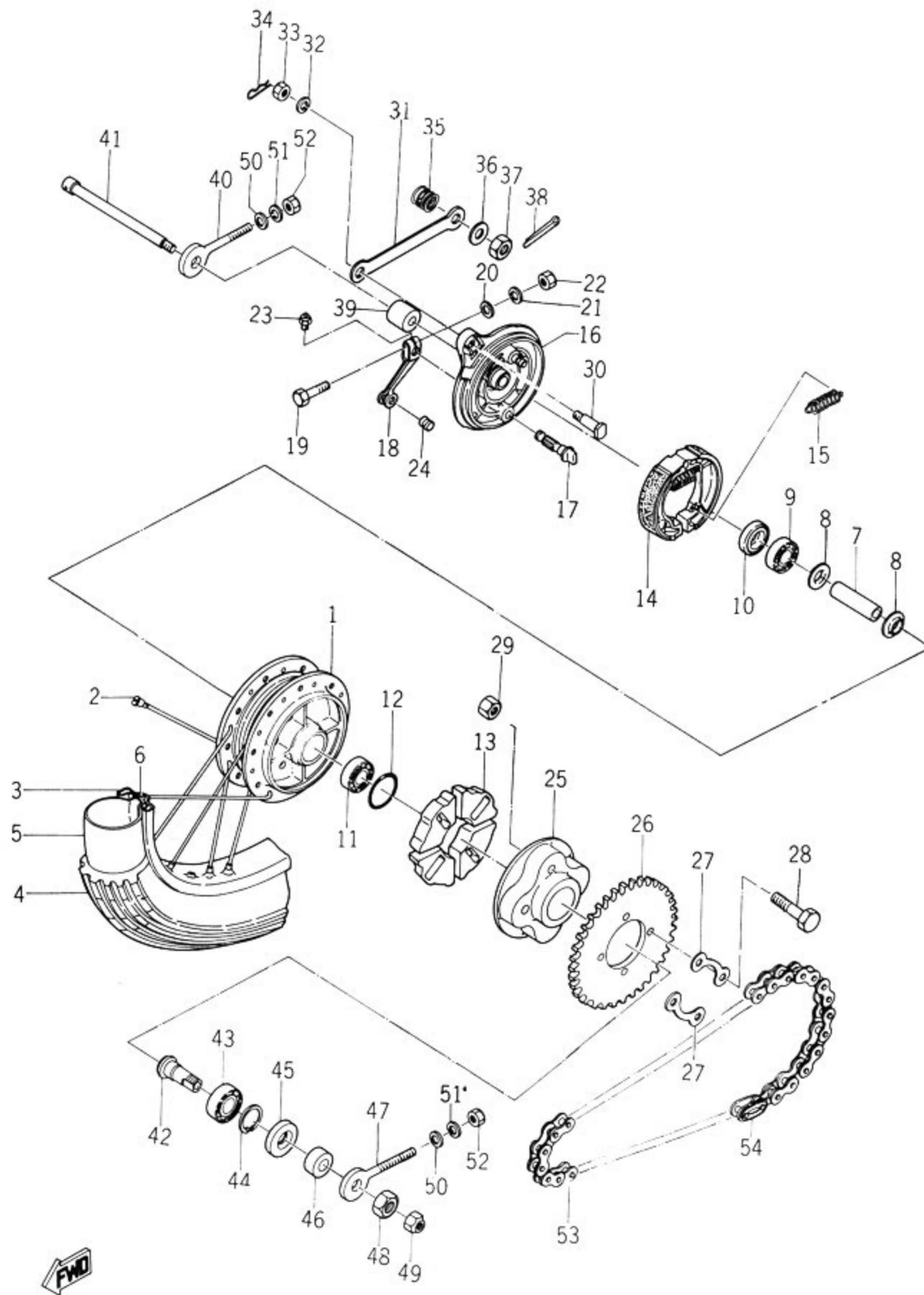
Ref. No.	Part No.	Part Name	Description	Qty		S · R	Remarks
				YLI	YLIE		
23- 1	122-24810-00	CARRIER ASS'Y		1	1		⊙
23- 2	92901-08200	WASHER, plain		2	2		
23- 3	91201-08018	BOLT		2	2		
23- 4	92901-08100	WASHER, spring		2	2		
23- 5	92801-08100	NUT		2	2		
23- 6	132-24710-00	SINGLE SEAT ASS'Y		1	1		
23- 6A	132-24711-00	. COVER, single seat		1	1		
23- 7	92901-08200	WASHER, plain		2	2		
23- 8	92901-08100	WASHER, spring		2	2		
23- 9	91201-08015	BOLT		2	2		
OPTIONAL PARTS							
23-10	132-24730-00	DOUBLE SEAT ASS'Y		1	1		
23-10-1	132-24731-00	. COVER, double seat		1	1		
23-11	122-24830-00	SUB CARRIER ASS'Y		1	1		
23-12	102-24750-00	TANDEM SEAT ASS'Y		1	1		
PROPER PARTS TO U·S·A							
23-10A	134-24730-60	DOUBLE SEAT ASS'Y		1	1		
23-10A-1	134-24731-60	. COVER, double seat		1	1		

Fig.24 FRONT WHEEL



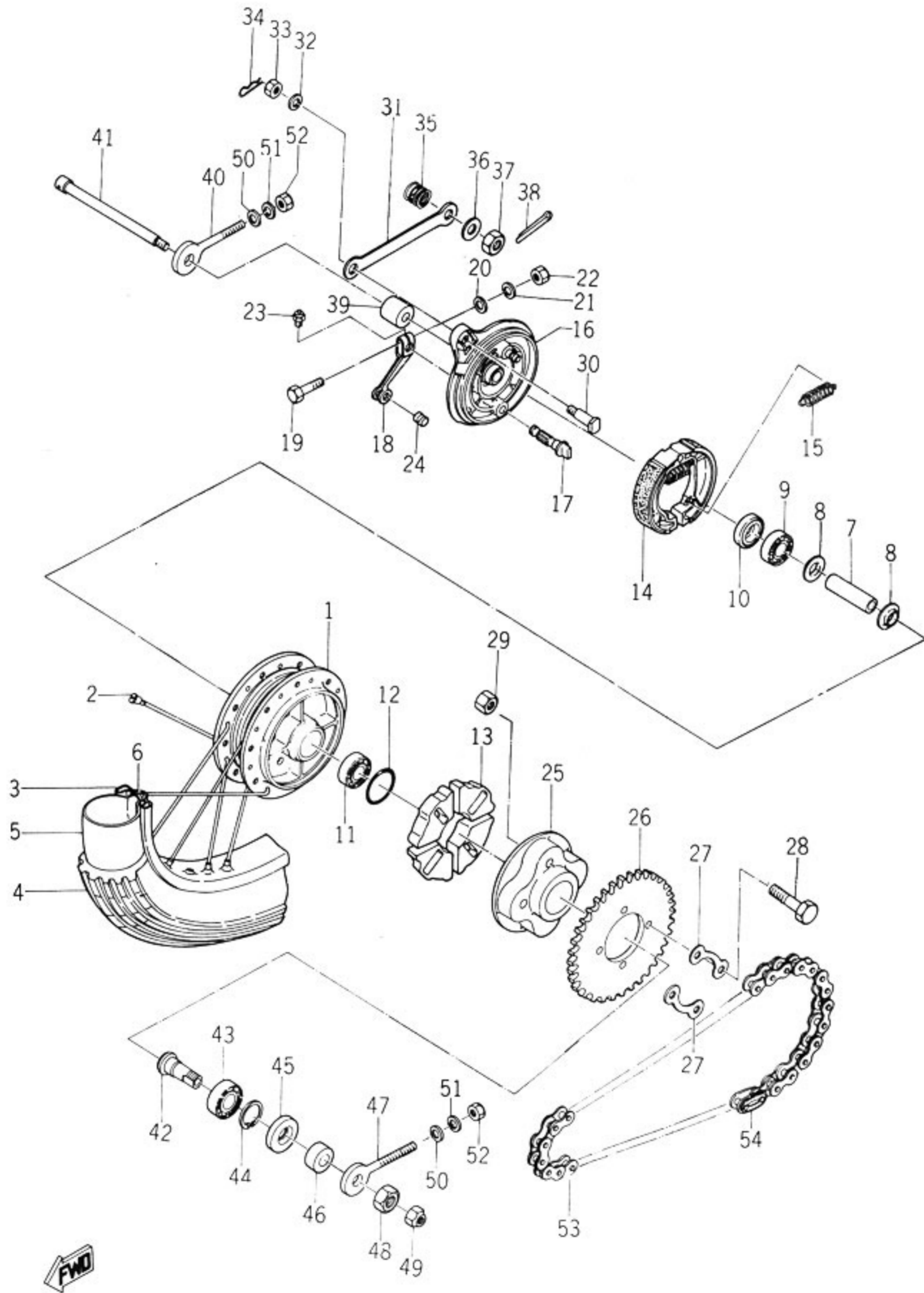
Ref. No.	Part No.	Part Name	Description	Qty		S - R	Remarks
				YLI	YLIE		
24- 1	102-25111-01	HUB, front		1	1		
24- 2	122-25104-00	FRONT SPOKE SET		1	1		
24- 3	94414-17003	RIM	1. 40-17	1	1		☆
24- 4	94125-17011	TIRE	2. 50-17-4PR	1	1		☆
24- 5	94225-17005	TUBE	2. 50-17	1	1		☆
24- 6	94325-17004	BAND	2. 50-17	1	1		
24- 7	102-25117-00	SPACER, bearing		1	1		
24- 8	93306-20203	BEARING	6202RS	1	1		☆
24- 9	93106-20001	SEAL, oil	DD-20-35-7	1	1		
24-10	122-25330-00	BRAKE SHOE COMP		1	1		
24-11	102-25333-00	SPRING, return		1	1		
24-12	93107-42001	SEAL, oil	OS-42-52.5-7	1	1		
24-13	102-25135-01	GEAR, drive		1	1		
24-14	93306-20203	BEARING	6202RS	1	1		☆
24-15	122-25121-02	PLATE, brake shoe		1	1		
24-16	122-25351-00	CAM, shaft (1)		1	1		
24-17	109-25155-00	LEVER, cam shaft (1)		1	1		
24-18	91203-06030	BOLT		1	1		
24-19	92901-06200	WASHER, plain		1	1		
24-20	92901-06100	WASHER, spring		1	1		
24-21	92801-06100	NUT		1	1		
24-22	93700-06001	NIPPLE, grease		2	2		
24-23	122-25138-00	GEAR, meter		1	1		
24-24	109-25136-00	BUSHING		1	1		
24-25	93104-07003	SEAL, oil	SO-7-14-4	1	1		
24-26	93210-13017	RING, "O"	2. 4-13. 4	1	1		
24-27	102-25137-00	RING, stop		1	1		
24-28	102-25183-00	COLLAR, wheel shaft		1	1		
24-29	122-25181-00	SHAFT, wheel		1	1		
24-30	102-25382-00	NUT, shaft		1	1		

Fig. 25 REAR WHEEL



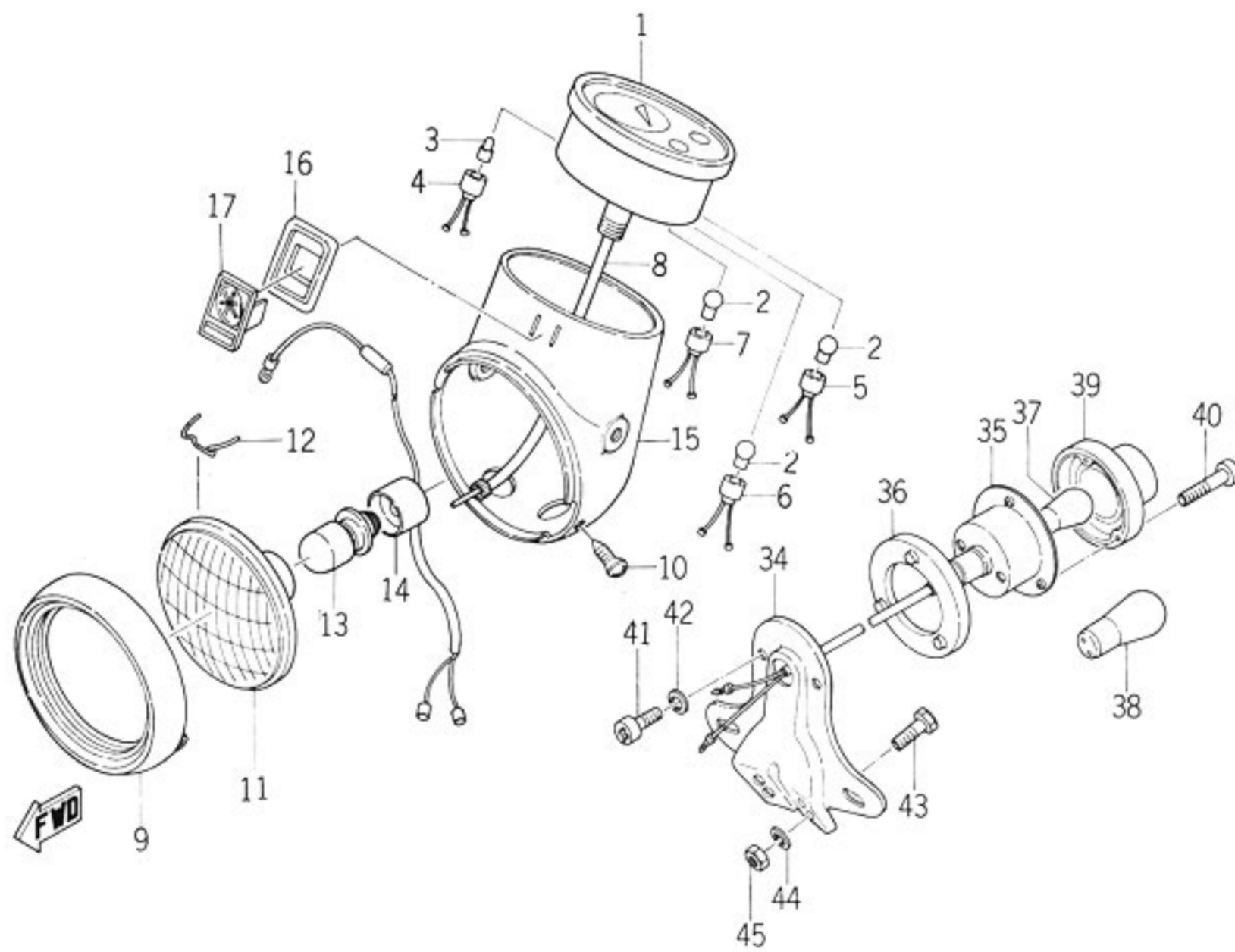
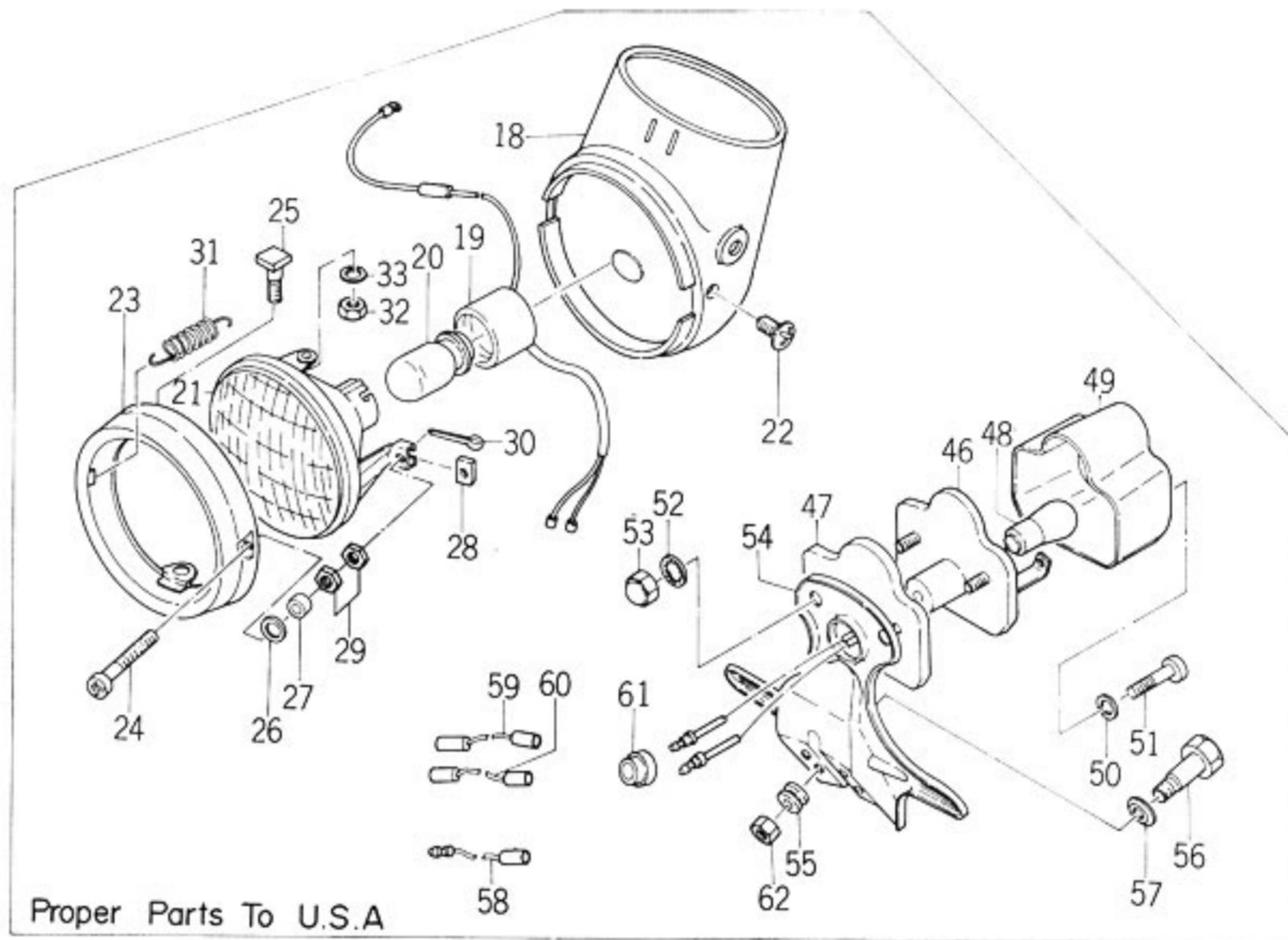
Ref. No.	Parts No.	Parts Name	Description	Qty		S · R	Remarks
				YLI	YLIE		
25- 1	102-25311-00	HUB, rear		1	1		
25- 2	122-25304-00	REAR SPOKE SET		1	1		
25- 3	94414-17005	RIM	1. 40-17	1	1		
25- 4	94125-17012	TIRE, rear	2. 50-17-4PR	1	1		☆
25- 5	94225-17005	TUBE	2. 50-17	1	1		☆
25- 6	94325-17004	BAND, rim	2. 50-17	1	1		
25- 7	102-25317-00	SPACER, bearing		1	1		
25- 8	102-25315-00	FLANGE, spacer		2	2		
25- 9	93306-30101	BEARING	6301	2	2		☆
25-10	93104-21016	SEAL, oil	SO-21-37-7	1	1		
25-11	93306-30102	BEARING	6301RS	1	1		☆
25-12	93210-41041	RING, "O"	4-40. 5	1	1		
25-13	102-25364-00	DAMPER, clutch		4	4		
25-14	122-25331-00	SHOE, brake		2	2		
25-15	102-25333-00	SPRING, return		2	2		
25-16	102-25321-00	PLATE, brake shoe		1	1		
25-17	122-25351-00	CAM, shaft		1	1		
25-18	122-25355-00	LEVER, cam shaft		1	1		
25-19	91203-06030	BOLT		1	1		
25-20	92901-06200	WASHER, plain		1	1		
25-21	92901-06100	WASHER, spring		1	1		
25-22	92801-06100	NUT		1	1		
25-23	93700-06001	NIPPLE, grease		1	1		
25-24	148-27237-00	PIN, clevis		1	1		
25-25	102-25366-00	CLUTCH, hub		1	1		
25-26	122-25435-00	GEAR, sprocket wheel	35T	1	1		
25-26-1	122-25433-00	GEAR, sprocket wheel	33T	1	1		
25-26-2	122-25437-00	GEAR, sprocket wheel	37T	1	1		
25-27	102-25412-00	WASHER, lock		2	2		
25-28	102-25411-01	BOLT, fitting		4	4		
25-29	92801-08200	NUT		4	4		
25-30	102-25373-00	BOLT, tension bar		1	1		
25-31	102-25371-00	BAR, tension		1	1		
25-32	92901-08100	WASHER, spring		1	1		

Fig.25 REAR WHEEL



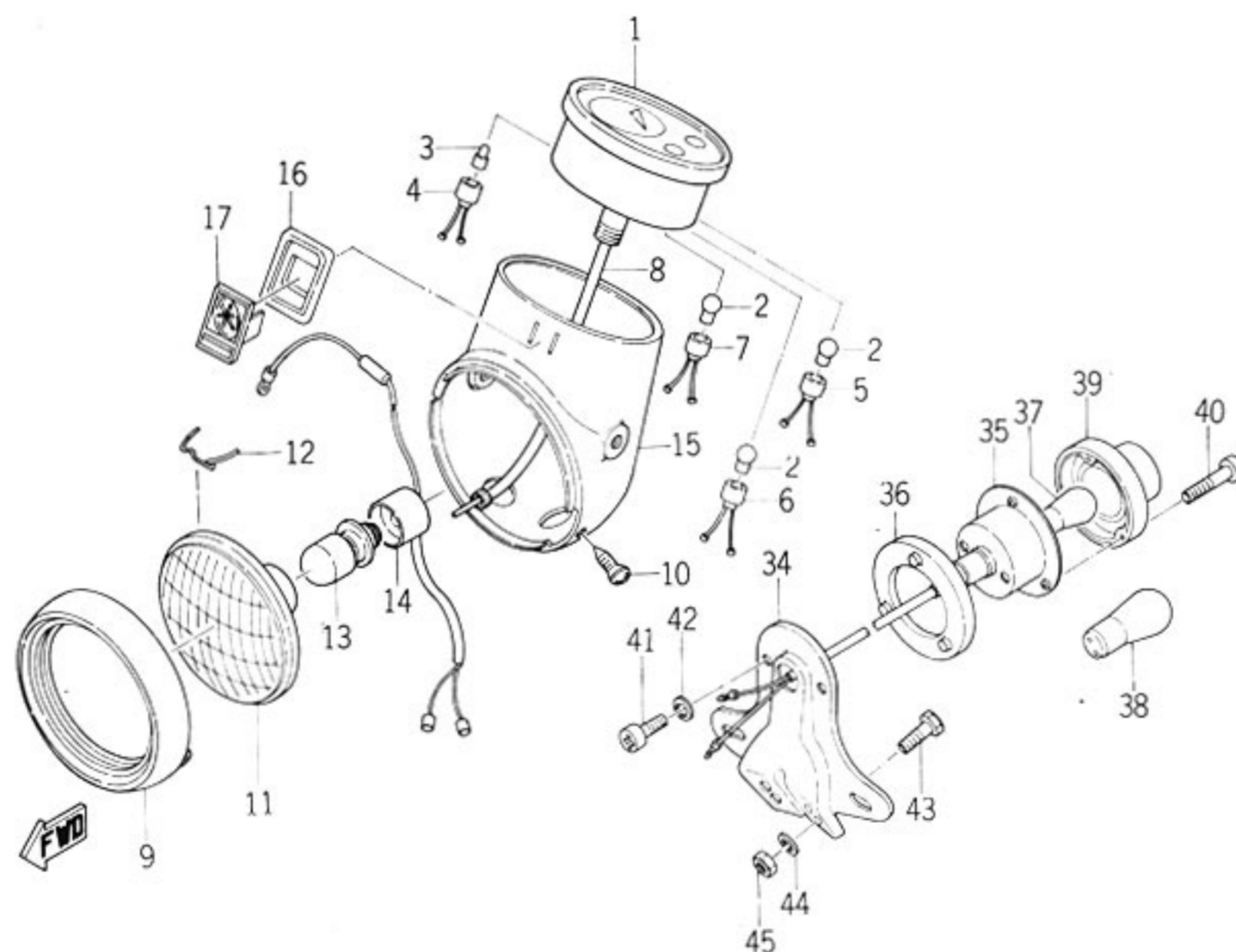
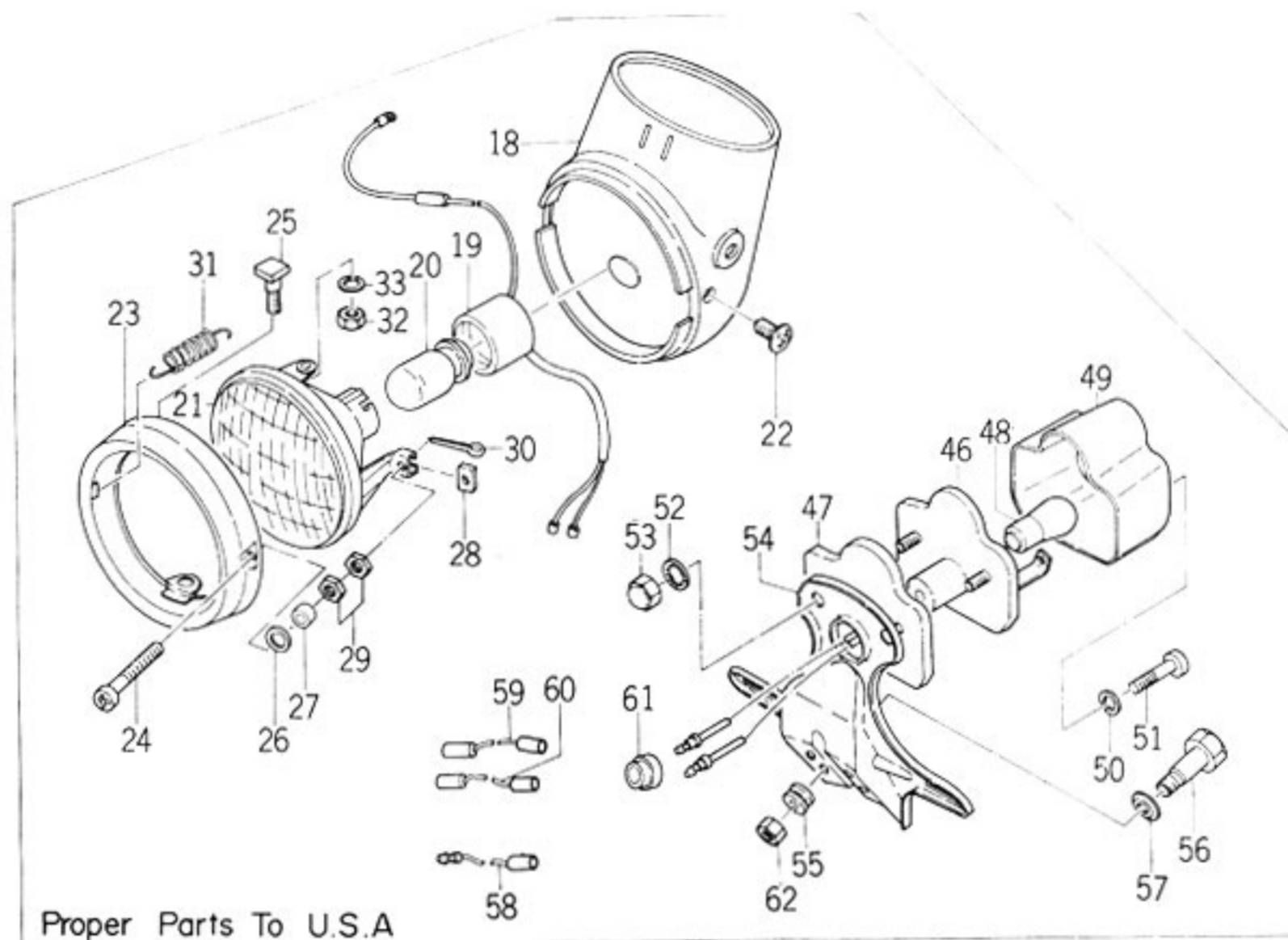
Ref. No.	Part No.	Part Name	Description	Qty		S · R	Remarks
				YLI	YLIE		
25-33	92801-08300	NUT		1	1		
25-34	102-25375-00	CLIP, tension bar		1	1		
25-35	102-25374-00	SPRING, tension bar		1	1		
25-36	92901-08200	WASHER, plain		1	1		
25-37	92801-08300	NUT		1	1		
25-38	91401-20012	PIN, cotter		1	1		
25-39	102-25383-00	COLLAR, wheel shaft		1	1		
25-40	102-25389-00	PULLER, chain (R. H)		1	1		
25-41	102-25381-02	SHAFT, rear wheel		1	1		
25-42	102-25387-02	SHAFT, sprocket		1	1		
25-43	93306-00403	BEARING	6004RS	1	1		☆
25-44	93420-42007	CIRCLIP	R42	1	1		
25-45	93106-30004	SEAL, oil	DD-30-42-8	1	1		
25-46	102-25386-01	COLLAR, sprocket shaft	18-30.1-15	1	1		
25-47	127-25388-00	PULLER, chain (L. H)		1	1		
25-48	102-25385-01	NUT, sprocket shaft		1	1		
25-49	102-25382-00	NUT, shaft		1	1		
25-50	92901-06200	WASHER, plain		2	2		
25-51	92901-06100	WASHER, spring		2	2		
25-52	92801-06100	NUT		2	2		
25-53	94504-20098	CHAIN	420T-98T	1	1		
25-54	94604-20001	. JOINT, chain		1	1		

Fig. 26 HEAD LAMP AND TAIL LAMP



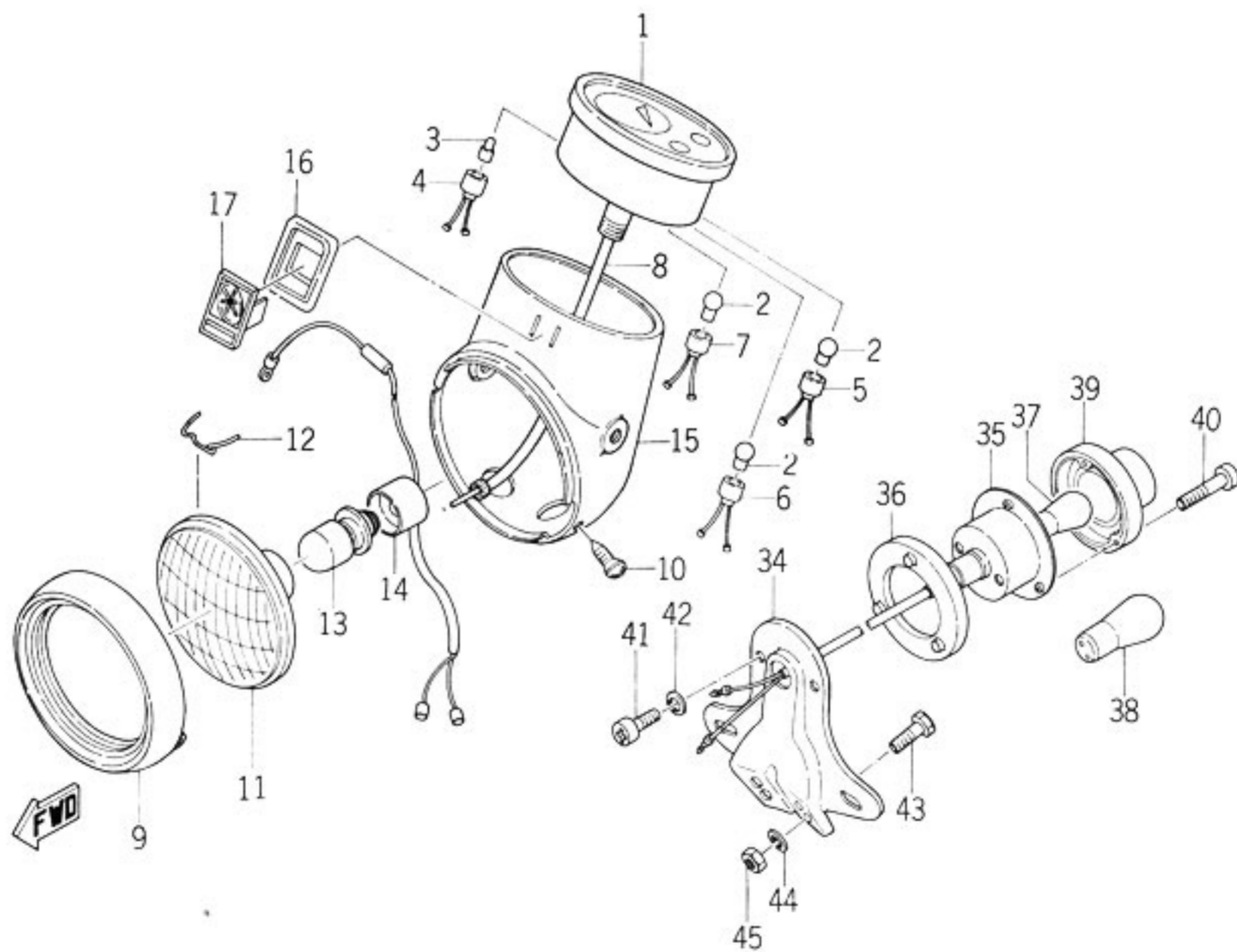
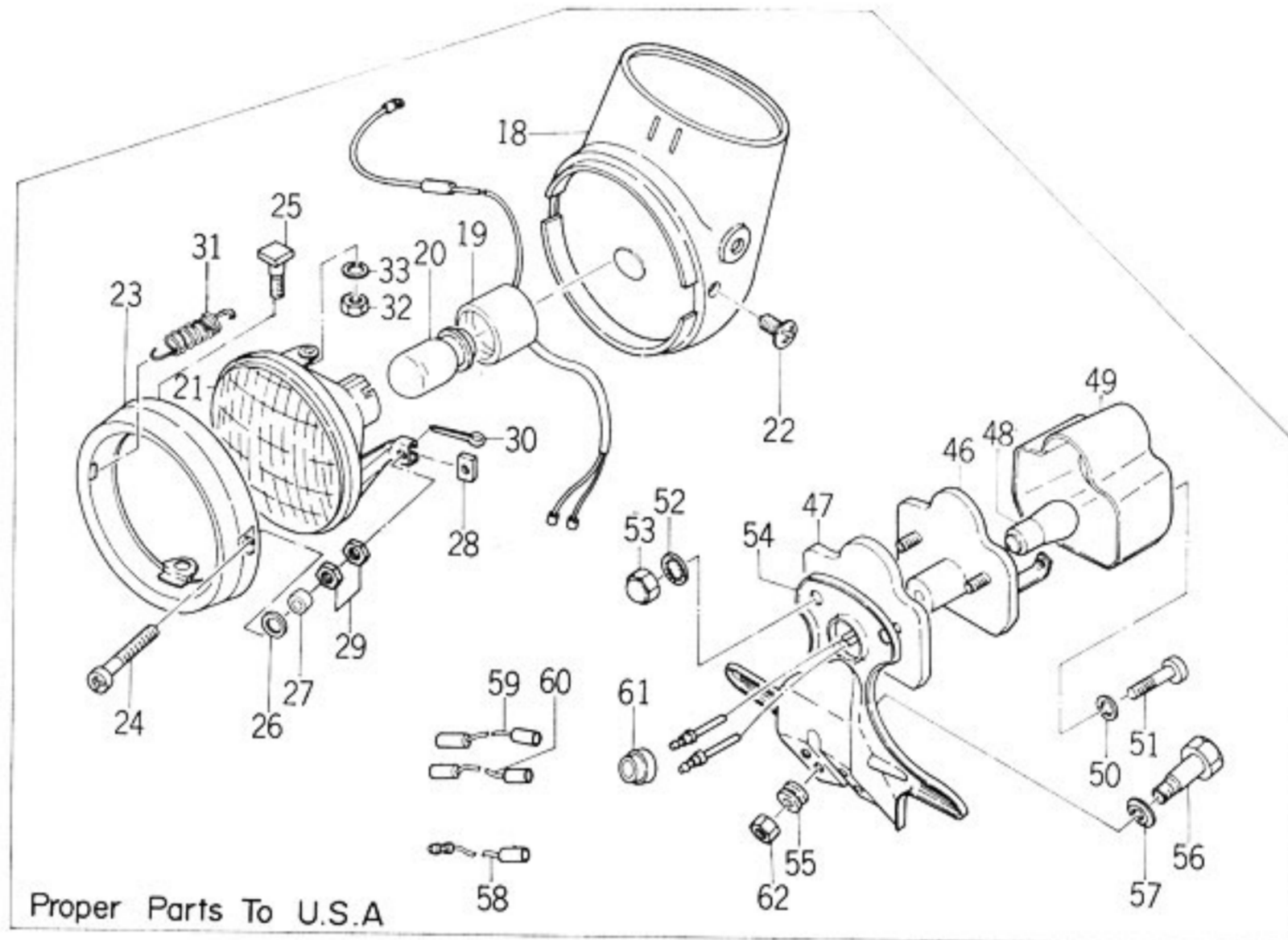
Ref. No.	Part No.	Part Name	Description	Qty		S · R	Remarks
				YLI	YLIE		
26- 1	129-83510-10	SPEEDOMETER ASS'Y		1			KM/H (6V)
26- 1-1	132-83510-30	SPEEDOMETER ASS'Y		1			M/H (6V)
26- 1-2	132-83510-20	SPEEDOMETER ASS'Y		1	1		KM/H (12V)
26- 1-3	132-83510-41	SPEEDOMETER ASS'Y		1	1		M/H (12V)
26- 2	122-83516-10	.BULB, pilot	6V 3W	3			☆
26- 2-1	123-83516-20	.BULB, pilot	12V 3W	3	3		☆
26- 3	104-83517-10	.BULB, meter	6V 1.5W	1			☆
26- 3-1	102-83517-20	.BULB, meter	12V 2W	1	1		☆
26- 4	122-83536-10	.SOCKET, meter		1	1		
26- 5	122-83537-10	.SOCKET, neutral		1	1		
26- 6	122-83538-10	.SOCKET, flasher		1	1		
26- 7	132-83539-20	.SOCKET, charge		1	1		
26- 8	122-83550-00	SPEEDOMETER CABLE ASS'Y		1	1		
26- 8A	122-83551-00	.WIRE, speedometer inner		1	1		
26- 0-1	122-84100-00	HEAD LAMP ASS'Y		1			⊙ 6V
26- 0-1-1	123-84300-00	HEAD LAMP ASS'Y		1			⊙ 12V
26- 9	122-84115-00	.RIM, head lamp		1			
26-10	150-84125-00	.SCREW, rim fitting		1			
26-11	109-84120-00	.LENS ASS'Y		1			
26-12	122-84124-00	.SPRING, reflector set		5			
26-13	104-84114-00	.BULB, head lamp	6V 15/15W	1			☆
26-13-1	102-84314-00	.BULB, head lamp	12V 25/25W	1			☆
26-14	122-84112-00	.SOCKET		1			
26-15	122-84111-00	.BODY, head lamp		1			
26-16	122-84142-00	SEAT, emblem		1	1		
26-17	122-84141-01	EMBLEM, head lamp		1	1		
26- 0-2	132-84300-60	HEAD LAMP ASS'Y			1		⊙
26-18	132-84311-60	.BODY, head lamp			1		⊙
26-19	132-84312-60	.SOCKET			1		
26-20	132-84314-60	.BULB, head lamp	12V 25/25W		1		☆
26-21	132-84320-60	.LENS ASS'Y			1		
26-22	150-84125-00	.SCREW, rim fitting			1		
26-23	132-84315-60	.RIM, head lamp			1		
26-24	132-84331-60	.SCREW, rim adjuster			1		

Fig. 26 HEAD LAMP AND TAIL LAMP



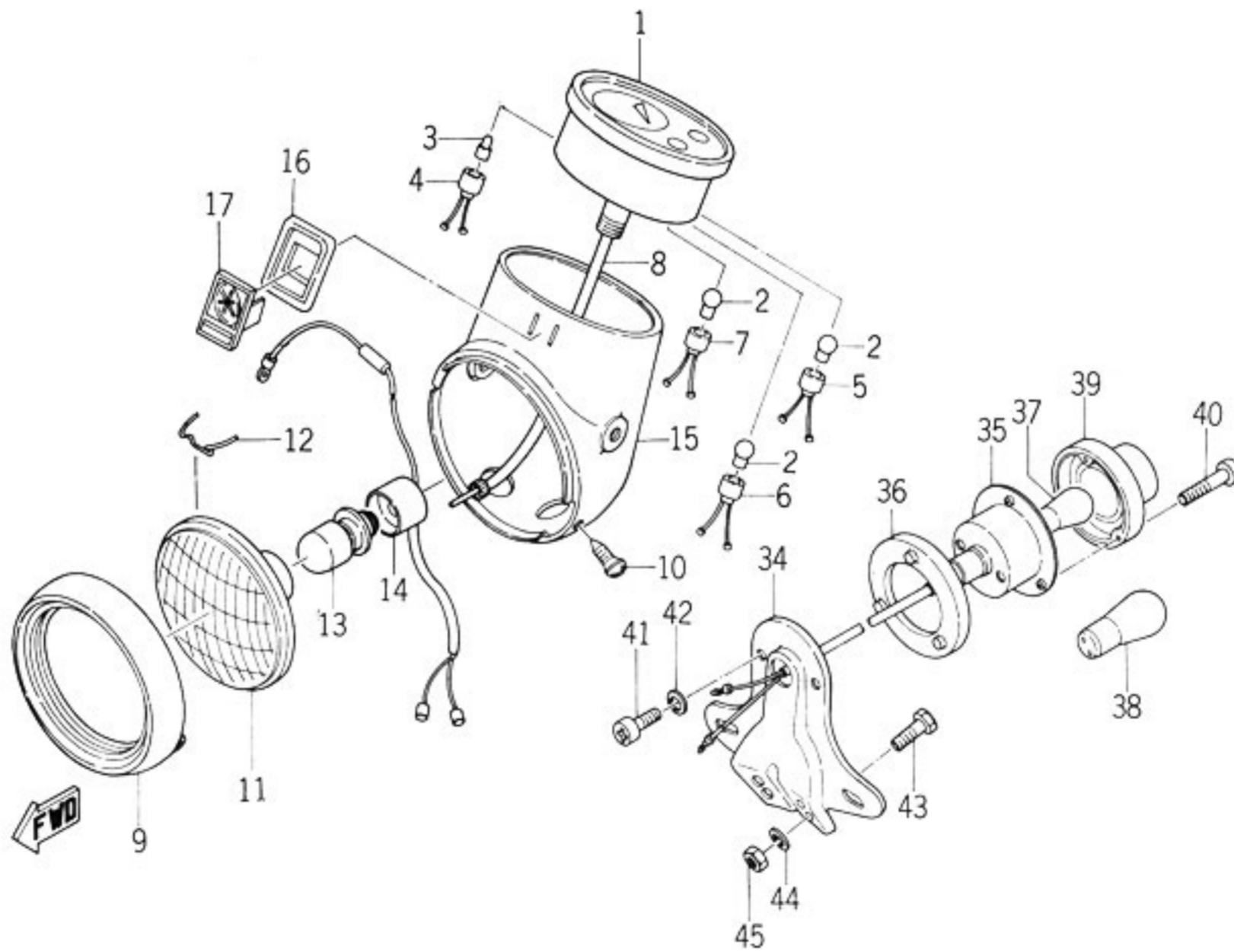
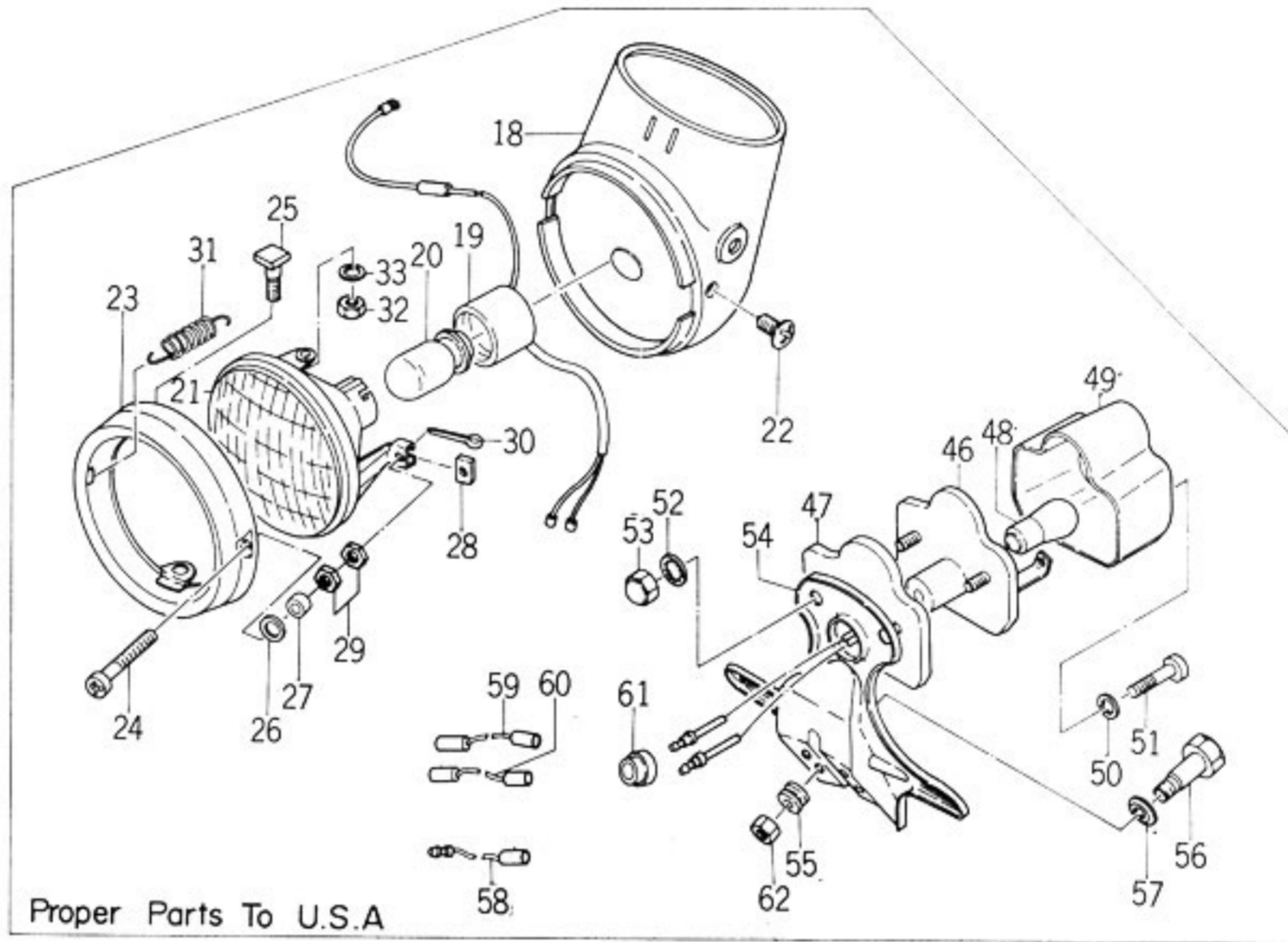
Ref. No.	Part No.	Part Name	Description	Qty		S - R	-Remarks
				YLI	YLIE		
26-25	132-84338-60	.SCREW, lens fitting			2		
26-26	92901-04200	.WASHER, plain			1		
26-27	132-84328-60	.SPACER			1		
26-28	132-84334-60	.NUT, adjust			1		
26-29	92801-04300	.NUT			2		
26-30	91401-10010	.PIN, cotter			1		
26-31	132-84335-60	.SPRING, lens adjust			1		
26-32	92801-04300	.NUT			2		
26-33	92901-05100	.WASHER, spring			2		
26-34	131-84751-00	BRACKET, licence			1		
26- 0-3	129-84510-00	TAIL LAMP UNIT ASS'Y			1		6V
26- 0-3-1	131-84710-00	TAIL LAMP UNIT ASS'Y			1		12V
26-35	131-84711-00	.BASE, tail lamp			1		
26-36	131-84712-00	.SEAT, base			1		
26-37	122-84514-00	.BULB, tail lamp	6V 10/3W		1		☆
26-38	136-84714-01	.BULB, tail lamp	12V 20/8W		1		☆
26-39	131-84721-00	.LENS, tail lamp			1		
26-40	92503-04015	.SCREW, pan head			3		
26-41	92503-04010	.SCREW, pan head			2		
26-42	92901-04100	.WASHER, spring			2		
26-43	91201-06015	BOLT			4		
26-44	92901-06100	WASHER, spring			4		
26-45	92801-06100	NUT			4		
26- 0-4	132-84710-61	TAIL LAMP UNIT ASS'Y			1		
26-46	132-84711-61	.BASE, tail lamp			1		
26-47	132-84712-60	.SEAT, base			1		
26-48	137-84714-60	.BULB, tail lamp	12V 25/8W		1		☆
26-49	124-84521-60	.LENS, tail lamp			1		
26-50	124-84522-60	.WASHER, lens fitting			2		
26-51	92503-04015	.SCREW, pan head			2		
26-52	92903-06300	.WASHER, tooth			2		
26-53	92803-06700	.NUT, crown			2		
26-54	132-84751-61	BRACKET, licence			1		
26-55	132-84753-60	DAMPER			4		

Fig. 26 HEAD LAMP AND TAIL LAMP



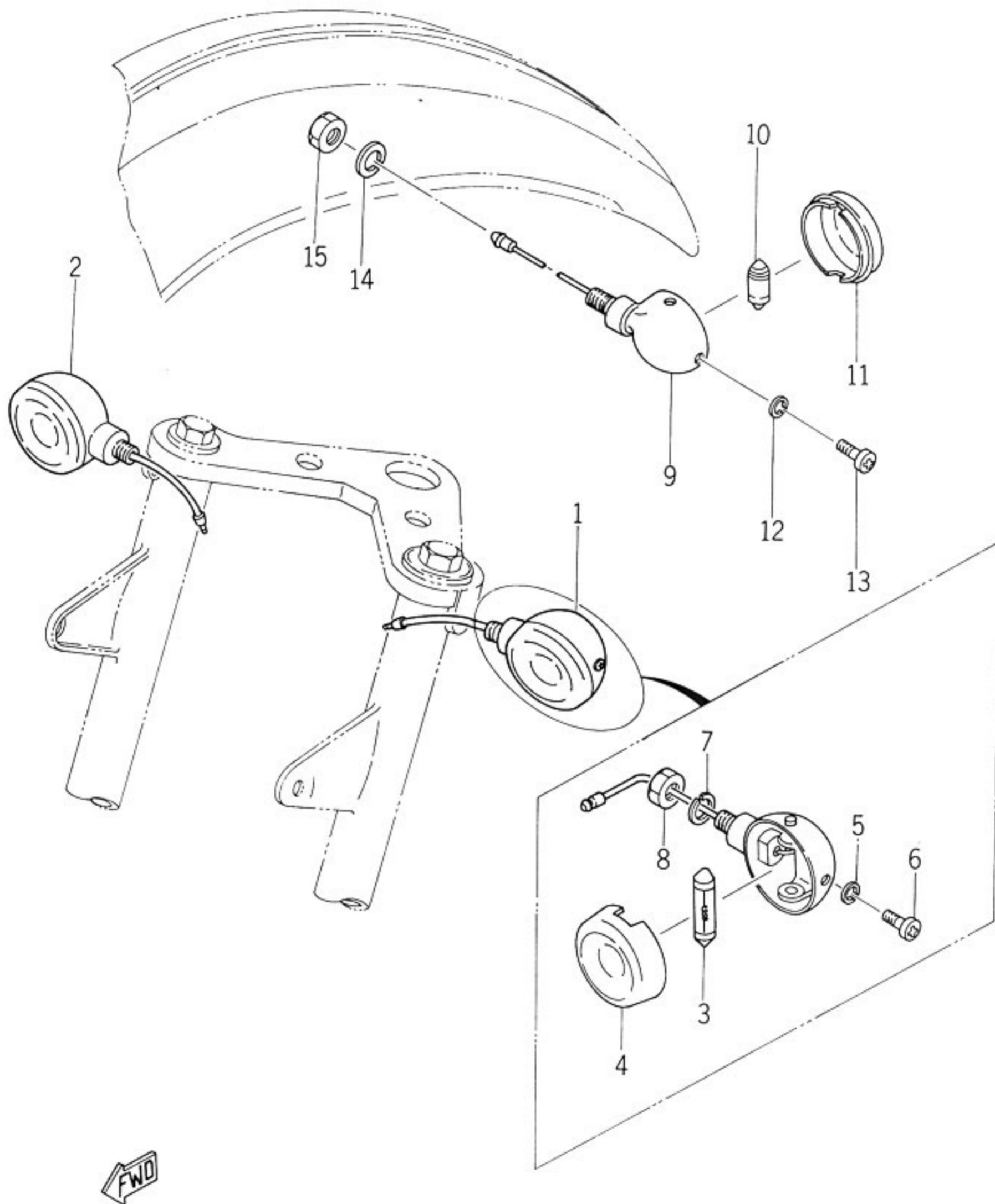
Ref. No.	Part No.	Part Name	Description	Qty		S · R	Remarks
				YLI	YLIE		
26-56	168-21738-00	BOLT			4		
26-57	132-84754-60	WASHER, special			4		
26-58	132-84756-60	WIRE, earth lead			1		
26-59	122-84148-00	WIRE, lead (1)			1		
26-60	122-84149-00	WIRE, lead (2)			1		
26-61	152-84518-00	GROMMET, tail lamp			1		
26-62	92801-06100	NUT			4		
PROPER PARTS TO U·S·A							
26- 0-2	132-84300-60	HEAD LAMP ASS'Y			1		⊙
26-18	132-84311-60	.BODY, head lamp			1		⊙
26-19	132-84312-60	.SOCKET			1		
26-20	132-84314-60	.BULB, head lamp	12V 25/25W		1		☆
26-21	132-84320-60	.LENS ASS'Y			1		
26-22	150-84125-00	.SCREW, rim fitting			1		
26-23	132-84315-60	.RIM, head lamp			1		
26-24	132-84331-60	.SCREW, rim adjuster			1		
26-25	132-84338-60	.SCREW, lens fitting			2		
26-26	92901-04200	.WASHER, plain			1		
26-27	132-84328-60	.SPACER			1		
26-28	132-84334-60	.NUT, adjust			1		
26-29	92801-04300	.NUT			2		
26-30	91401-10010	.PIN, cotter			1		
26-31	132-84335-60	.SPRING, lens adjust			1		
26-32	92801-04300	.NUT			2		
26-33	92901-05100	.WASHER, spring			2		
26- 0-4	132-84710-61	TAIL LAMP UNIT ASS'Y			1		
26-46	132-84711-61	.BASE, tail lamp			1		
26-47	132-84712-60	.SEAT, base			1		
26-48	137-84714-60	.BULB, tail lamp	12V 25/8W		1		☆
26-49	124-84521-60	.LENS, tail lamp			1		
26-50	124-84522-60	.WASHER, lens fitting			2		
26-51	92503-04015	.SCREW, pan head			2		
26-52	92903-06300	.WASHER, tooth			2		

Fig. 26 HEAD LAMP AND TAIL LAMP



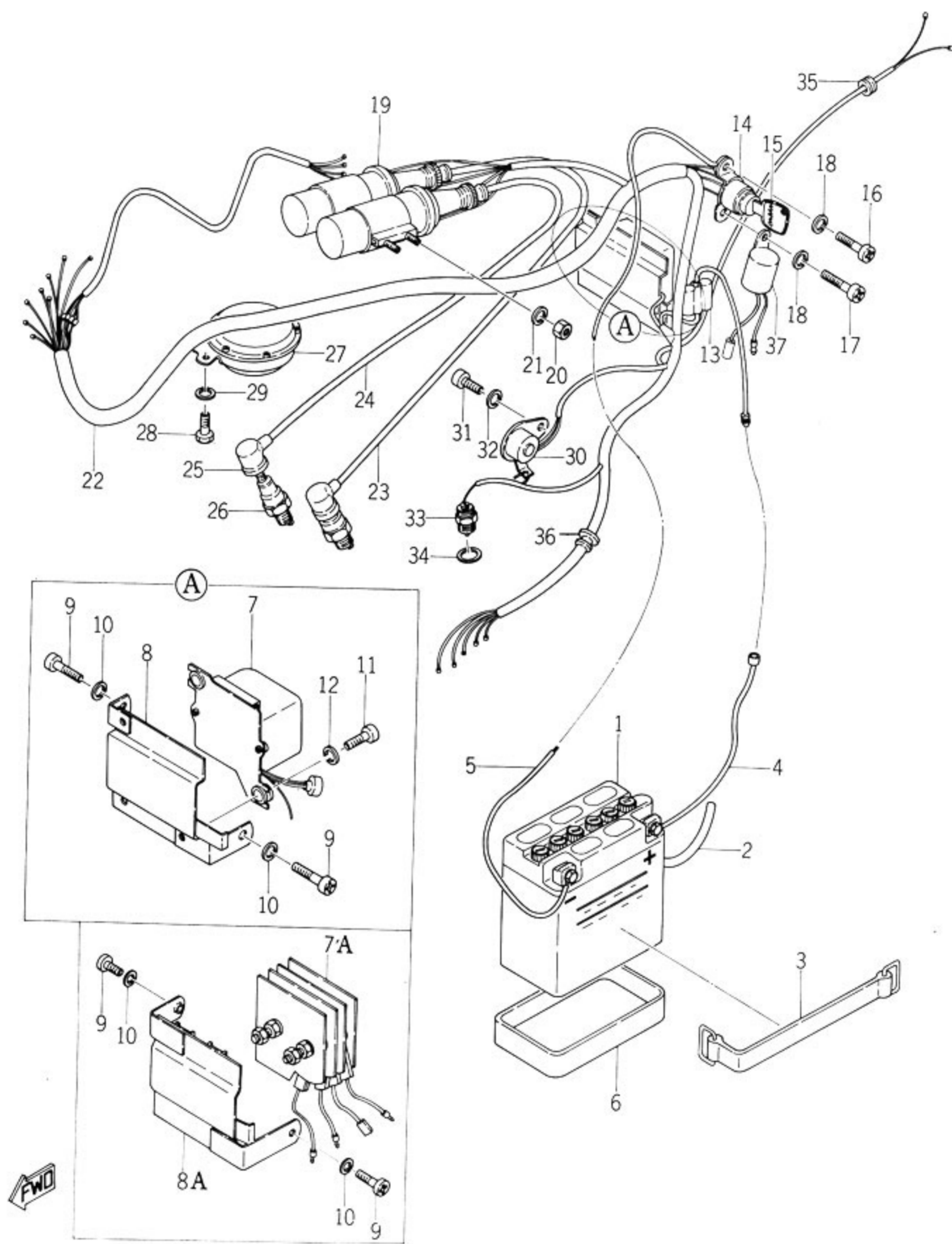
Ref. No.	Part No.	Part Name	Description	Qty		S - R	Remarks
				YLI	YLIE		
26-53	92803-06700	.NUT, crown		2			
26-54	132-84751-61	BRACKET, licence		1			
26-55	132-84753-60	DAMPER		4			
26-56	168-21738-00	BOLT		4			
26-57	132-84754-60	WASHER, special		4			
26-58	132-84756-60	WIRE, earth lead		1			
26-59	122-84148-00	WIRE, lead (1)		1			
26-60	122-84149-00	WIRE, lead (2)		1			
26-61	152-84518-00	GROMMET, tail lamp		1			
26-62	92801-06100	NUT		4			

Fig.27 FLASHER LAMP



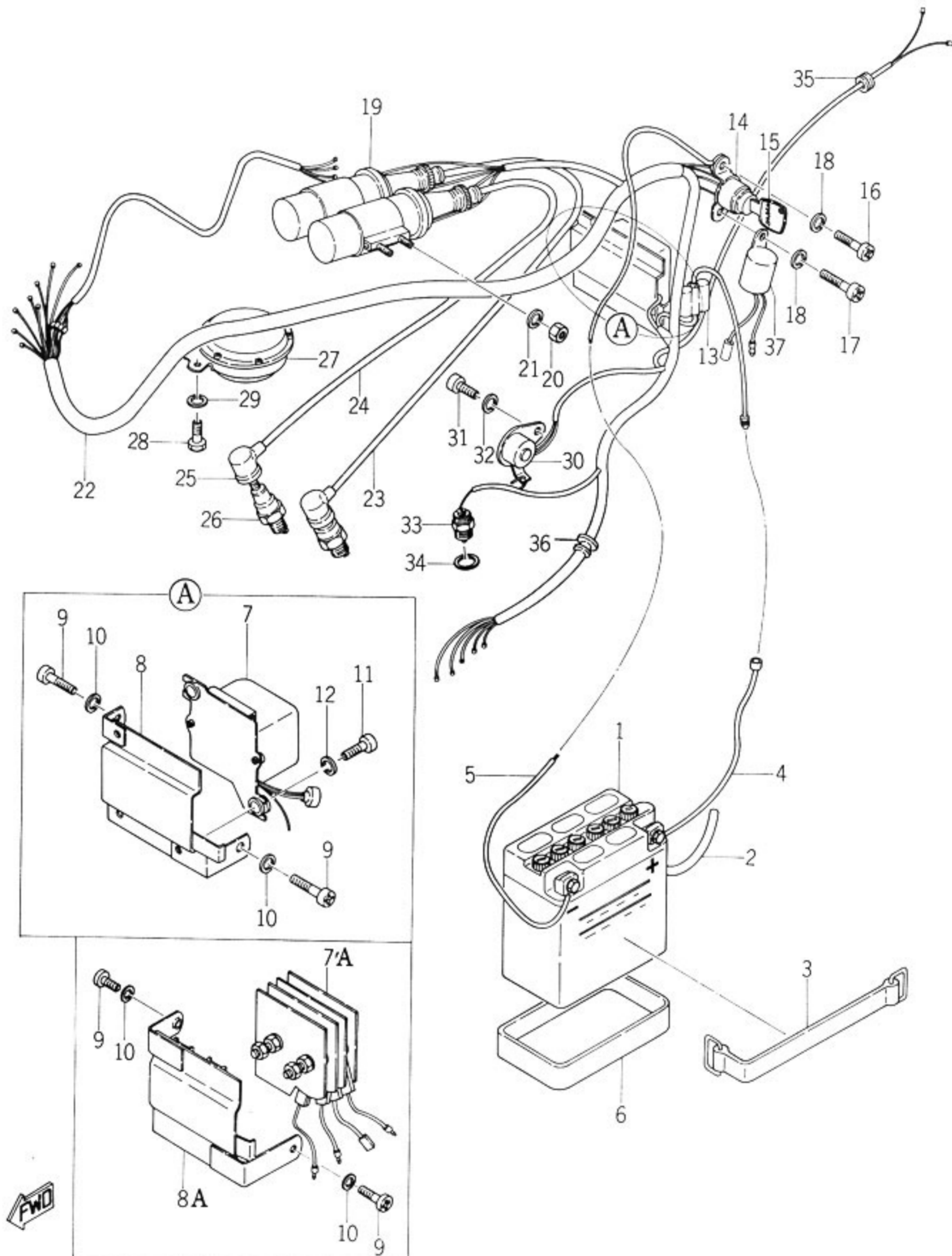
Ref. No.	Part No.	Part Name	Description	Qty		S · R	Remarks
				YLI	YLIE		
27- 1	122-83310-10	FRONT FLASHER LAMP ASS'Y (L. H)		1			6V
27- 1-1	123-83310-20	FRONT FLASHER LAMP ASS'Y (L. H)		1	1		12V
27- 2	122-83320-10	FRONT FLASHER LAMP ASS'Y (R. H)		1			6V
27- 2-1	123-83320-20	FRONT FLASHER LAMP ASS'Y (R. H)		1	1		12V
27- 3	104-83331-10	. BULB, flasher	6V/8W	2			☆
27- 3-1	102-83331-20	. BULB, flasher	12V 8W	2	2		☆
27- 4	102-83332-20	. LENS, flasher		2	2		
27- 5	92901-03100	. WASHER, spring		2	2		
27- 6	92501-03005	. SCREW, pan head		2	2		
27- 7	92901-08100	WASHER, spring		2	2		
27- 8	92801-08300	NUT		2	2		
27- 9	104-83330-10	REAR FLASHER LAMP ASS'Y		2			6V
27- 9-1	102-83330-20	REAR FLASHER LAMP ASS'Y		2	2		12V
27-10	104-83331-10	. BULB, flasher	6V 8W	2			☆
27-10-1	102-83331-20	. BULB, flasher	12V/8W	2	2		☆
27-11	102-83332-20	. LENS, flasher		2	2		
27-12	92901-03100	. WASHER, spring		2	2		
27-13	92501-03005	. SCREW, pan head		2	2		
27-14	92901-08100	WASHER, spring		2	2		
27-15	92801-08300	NUT		2	2		

Fig. 28 ELECTRICAL SYSTEM



Ref. No.	Part No.	Part Name	Description	Qty		S - R	Remarks
				YLI	YLIE		
28- 1	131-82110-60	BATTERY ASS'Y	12V	1			
28- 1-1	132-82110-10	BATTERY ASS'Y	6V	1			
28- 1-2	123-82110-60	BATTERY ASS'Y	12V		1		
28- 1a	131-82111-60	.CAP, battery		6	6		
28- 1a-1	104-82111-00	.CAP, battery		3			
28- 2	123-82112-00	PIPE, breather		1	1		
28- 3	132-82131-00	BAND, battery		1			
28- 3-1	133-82131-00	BAND, battery		1	1		
28- 4	131-82115-00	WIRE, plus lead		1			
28- 4-1	123-82115-00	WIRE, plus lead			1		
28- 5	131-82116-00	WIRE, minus lead	6V	1			
28- 5-1	132-82116-50	WIRE, minus lead	12V	1			
28- 5-2	123-82116-00	WIRE, minus lead	12V		1		
28- 6	102-82122-00	SEAT, battery		1			
28- 6-1	123-82122-00	SEAT, battery			1		
28- 7	132-81910-10	VOLTAGE REGULATOR ASS'Y	12V	1			
28- 7A	132-81970-40	RECTIFIER ASS'Y	6V	1			
28- 7-1	176-81910-10	VOLTAGE REGULATOR ASS'Y	12V		1		
28- 8	132-81915-00	PLATE, regulator fitting		1	1		
28- 8A	132-81975-01	PLATE, rectifier fitting		1			
28- 9	92501-06013	SCREW, pan head		2	2		
28-10	92901-06100	WASHER, spring		2	2		
28-11	92501-06013	SCREW, pan head		2	2		
28-12	92901-06100	WASHER, spring		2	2		
28-13	148-82150-00	FUSE HOLDER ASS'Y		1	1		
28-13-1	148-82151-00	. FUSE		3	3		
28-14	131-82510-10	MAIN SWITCH ASS'Y	12V	1	1		
28-14-1	132-82510-30	MAIN SWITCH ASS'Y	6V	1			
28-15	131-82511-00	.KEY, main switch		2	2		
28-16	92501-06010	SCREW, pan head		1	1		
28-17	92501-06015	SCREW, pan head		1	1		
28-18	92901-06100	WASHER, spring		2	2		
28-19	132-82310-60	IGNITION COIL ASS'Y	12V	2	2		
28-19-1	132-82310-10	IGNITION COIL ASS'Y	6V	2			

Fig.28 ELECTRICAL SYSTEM



Ref. No.	Part No.	Part Name	Description	Qty		S · R	Remarks
				YLI	YLIE		
28-20	92801-06100	NUT		4	4		
28-21	92901-06100	WASHER, spring		4	4		
28-22	132-82590-11	WIRE HARNESS ASS'Y	12V	1			
28-22-1	132-82590-30	WIRE HARNESS ASS'Y	6V	1			
28-22-2	133-82590-01	WIRE HARNESS ASS'Y	12V		1		
28-23	132-82341-00	CORD, high tension (L. H)		1	1		
28-24	132-82342-00	CORD, high tension (R. H)		1	1		
28-25	166-82370-20	PLUG CAP ASS'Y		2	2		
28-26	94700-00004	PLUG, spark	B7HZ	2	2		
28-27	131-83371-22	HORN		1	1		
28-28	91201-08015	BOLT		2	2		
28-29	92901-08100	WASHER, spring		2	2		
28-30	122-82530-00	STOP SWITCH ASS'Y		1	1		
28-31	92501-05010	SCREW, pan head		1	1		
28-32	92901-05100	WASHER, spring		1	1		
28-33	132-82540-00	NEUTRAL SWITCH ASS'Y		1	1		
28-34	102-82543-00	GASKET		1	1		
28-35	122-82596-00	GROMMET, rear panel		1	1		
28-36	132-82597-00	GROMMET		1	1		
28-37	123-83350-20	FLASHER RELAY ASS'Y	12V	1	1		
28-37-1	122-83350-10	FLASHER RELAY ASS'Y	6V	1			

I N D E X



Ref No.	New Part No.	Old Part No.	Ref No.	New Part No.	Old Part No.
8- 5	101-15636-00	H1-0439	25-27	102-25412-00	MF2-1755
8- 4	101-15637-00	H1-0440	11-12	102-27114-00	MF2-1116
16-33	101-21279-00		18-24	102-27231-00	MF2-1741
21-24	101-24356-00	YD3-1411	16-23	102-28100-00	MF2-3000
22- 9	101-24356-00	YD3-1411	28- 6	102-82122-00	MF2-1031
10- 8	102-14185-00		28-34	102-82543-00	FP-12-18-1
9-10	102-14455-00	MF2-0606	27- 3-1	102-83331-20	MF2-2172
5-25	102-17462-00	MF2-0221	27-10-1	102-83331-20	MF2-2172
5-29	102-17463-00	MF2-0222	27- 4	102-83332-20	YG1-2135
5-28	102-17464-00	MF2-0223	27-11	102-83332-20	YG1-2135
16-14	102-21714-00	MF2-1013	27- 9-1	102-83330-20	G1D-2133
16-15	102-21718-01	MF2-1016-1	26- 3-1	102-83517-20	MF2-2173
17- 6	102-22117-00	MF2-1215	26-13-1	102-84314-00	
17- 3	102-22123-00	MF2-1211	28- 1a-1	104-82111-00	
17-16	102-22331-00		27- 9	104-83330-10	
23-12	102-24750-00		27- 3	104-83331-10	
24- 1	102-25111-01	MF2-1510	27-10	104-83331-10	
24- 7	102-25117-00	MF2-1508	26- 3	104-83517-10	
24-13	102-25135-01	MF2-1511	26-13	104-84114-00	
24-27	102-25137-00	MF2-1517	1-14	109-11361-00	YF1-0007
24-28	102-25183-00	MF2-1518	17- 4	109-22141-00	YF1-1202
25- 1	102-25311-00	H2-1710	24-24	109-25136-00	YF1-1513
25- 8	102-25315-00	MF2-1709	24-17	109-25155-00	YF1-1522
25- 7	102-25317-00	MF2-1708	19-32	109-26341-01	YF1-1541
25-16	102-25321-00	MF2-1705	19-34	109-26344-00	YF1-1545
24-11	102-25333-00	MF2-1707	19-33	109-26345-00	YF1-1543
25-15	102-25333-00	MF2-1707	18-30	109-27216-00	YF1-1732
25-13	102-25364-00	H2-1715	18-28	109-27238-00	YF1-1745
25-25	102-25366-00	MF2-1717	19-13A-1	109-82820-10	
25-31	102-25371-00	MF2-1766	26-11	109-84120-00	
25-30	102-25373-00	MF2-1769			
25-35	102-25374-00	MF2-1766	12-16	110-13124-00	F1D-0841
25-34	102-25375-00	MF2-1767	19-10A-1	115-26111-10	
25-41	102-25381-02	MF2-1701	2-17	116-15363-00	
24-30	102-25382-00	MF2-1702	19-31	116-26290-00	H2-1815
25-49	102-25382-00	MF2-1702	19-21	116-83931-00	U5-1829
25-39	102-25383-00	MF2-1719	17- 9	120-27430-00	U7-1225
25-48	102-25385-01	MF2-1754	17- 9-1	120-27430-01	
25-46	102-25386-01	MF2-1753-1	17-10	120-27433-00	U7-1108
25-42	102-25387-02	MF2-1752	3- 8	122-11681-00	YG1-0024
25-40	102-25389-00	MF2-1772	11- 9	122-14753-00	
25-28	102-25411-01	MF2-1756	8-17	122-15612-01	YG1-0403-1

Ref No.	New Part No.	Old Part No.	Ref No.	New Part No.	Old Part No.
3-28	122-16111-00	YG1-0130	20-46	122-23480-00	YG1-1360
4-10	122-16164-00	YG1-0139	21- 2	122-24181-00	YG1-1427
5-27-1	122-17461-40	YG1-0220	21- 3	122-24182-00	YG1-1428
5-27-2	122-17461-60	YG1-0220	21-10	122-24610-00	YG1-1470
5-27	122-17461-50	YG1-0220	16-34	122-24746-00	
19- 2	122-21517-00	YG1-1042	23- 1	122-24810-00	YG1-1484
16-28	122-21621-00	YG1-1051	23-11	122-24830-00	
16-12	122-21711-01	YG1-1004-1	24- 2	122-25104-00	YG1-1610
16-13	122-21715-00	YG1-1018	24-15	122-25121-02	YG1-1505-1
16-19	122-21725-00	YG1-1019	24-23	122-25138-00	YG1-1512
17- 1	122-22110-02		24-29	122-25181-00	YG1-1501
17- 2	122-22151-00	YG1-1210	25- 2	122-25304-00	YG1-1620
16-35	122-22242-00		24-10	122-25330-00	YG1-1706
16-25	122-22243-00	YG1-1229	25-14	122-25331-00	YG1-1706
17- 7	122-22243-00	YG1-1229	24-16	122-25351-00	YG1-1726
16-26	122-22244-00	YG1-1230	25-17	122-25351-00	YG1-1726
16-27	122-22251-00	YG1-1239	25-18	122-25355-00	YG1-1721
17- 8	122-22251-00	YG1-1239	25-26-1	122-25433-00	MF2-1751-33
20-20	122-23111-00	YG1-1351	25-26	122-25435-00	MF2-1751-35
20-19	122-23112-00	YG1-1357	25-26-2	122-25437-00	MF2-1751-37
20-18	122-23114-00	YG1-1355			
20-15	122-23116-00	YG1-1359	18- 2	122-27112-00	YG1-1114
20-16	122-23121-00	YG1-1361	18-20	122-27317-01	YG1-1123-1
20- 3	122-23125-00	YG1-1377	18-18	122-27413-00	YG1-1104
20-17	122-23131-00	YG1-1362	28-30	122-82530-00	YG1-2234
20- 9	122-23143-00		28-35	122-82596-00	
20- 7	122-23145-00	YG1-1374	27- 1	122-83310-10	
20- 8	122-23146-00	YG1-1373	27- 2	122-83320-10	
20- 4	122-23147-00	YG1-1376	28-37-1	122-83350-10	
20-14	122-23163-00	YG1-1356	26- 2	122-83516-10	
20-12	122-23340-00	YG1-1363	26- 4	122-83536-10	
20-22	122-23346-00	YG1-1366	26- 5	122-83537-10	
20-31	122-23411-00	YG1-1323	26- 6	122-83538-10	
20-33	122-23412-00	YG1-1324	26- 8	122-83550-00	YG1-2122
20-35	122-23416-00	YG1-1315	26- 8A	122-83551-00	
20-34	122-23435-01	YG1-1314-1	26- 0-1	122-84100-00	
20-43	122-23441-00	YG1-1317	26-15	122-84111-00	
20-39	122-23442-02	YG1-1318-1	26-14	122-84112-00	
20-37	122-23443-00	YG1-1326	26- 9	122-84115-00	
20-38	122-23451-00	YG1-1327	26-12	122-84124-00	
20-36	122-23453-00	YG1-1328-1	26-17	122-84141-01	YG1-2111

Ref No.	New Part No.	Old Part No.	Ref No.	New Part No.	Old Part No.
26-16	122-84142-00	YG1-2112	10-13	127-14134-00	YG1-0655
26-59	122-84148-00		10-18	127-14136-00	YG1-0639
26-60	122-84149-00		10-33	127-14137-00	YG1-0640
26-37	122-84514-00		10- 3	127-14142-17	YG1-0649
28- 1-2	123-82110-60	G1D-2211	10- 5	127-14143-12	YG1-0648
28- 2	123-82112-00	G1D-2215	10- 5-1	127-14143-08	
28- 4-1	123-82115-00	G1D-2212	10- 5-2	127-14143-10	
28- 5-2	123-82116-00	G1D-2213	10- 5-3	127-14143-14	
28- 6-1	123-82122-00	G1D-1031	10- 5-4	127-14143-16	
27- 1-1	123-83310-20	G1D-2131	10-21	127-14161-00	YG1-0633
27- 2-1	123-83320-20		10-39	127-14164-00	YG1-0661
28-37	123-83350-20		10-10	127-14181-00	YG1-0669
26- 2-1	123-83516-20	MF2-2174	10- 2	127-14184-00	YG1-0666
26- 0-1-1	123-84300-00		10- 9	127-14186-00	YG1-0668
20-13	124-23122-00	G1T-1364	10- 6	127-14190-12	YG1-0664
20- 2	124-23126-00	H2-1381	10- 7	127-14195-00	FP-7-10-0.5
20- 1	124-23136-00	H2-1382	24-47	127-25388-00	MF2-1771
20-11	124-23142-00		17-22	128-22311-00	YP1-1241
26-49	124-84521-60	CH-2142	20- 5	128-23127-00	YP1-1375
26-50	124-84522-60	CH-2144	17-11	128-27436-00	
1-21	126-11171-60	G1T-0008	19- 1	129-21510-00	GS1-1007
12- 1	126-13116-00	G1D-0814	19- 5	129-21521-00	GS1-1043
11-18	126-14785-20	G1C-0741	17- 1A	129-22110-00	GS1-1201
11-15	126-14786-20	G1C-0742	21- 4	129-24183-00	GS1-1429
16-18	126-21721-01	G1D-1005	26- 1	129-83510-10	
16-20	126-21724-00	G1D-1014	26- 0-3	129-84510-00	
22- 1	126-21751-01	G1D-1006	16-24	130-22210-00	G1T-1231
22- 5	126-21762-00	G1D-1088	8- 6	131-15635-00	H1-0438
22- 4	126-21764-00	G1D-1085	8- 1	131-15638-00	H1-0435
22-11	126-21765-00	G1D-1084	4-16	131-16154-00	H1-0139
22-12	126-21771-00	G1D-1080	28- 1	131-82110-60	H1-2211
22-10	126-21772-00	G1D-1081	28- 1a	131-82111-60	
22-13	126-21776-00	G1D-1082	28- 4	131-82115-00	H1-2212
10-15	127-14114-00	YG1-0644	28- 5	131-82116-00	H1-2213
10-24	127-14121-00	YG1-0634	28-14	131-82510-10	H1-2201
10-14	127-14123-00	YG1-0654	28-15	131-82511-00	
10-22	127-14124-20	YG1-0632	28-27	131-83371-22	H1-2209-1
10-22-1	127-14124-23	YG1-0632	26- 0-3-1	131-84710-00	
10-38	127-14125-00	YG1-0662	26-35	131-84711-00	
10-23	127-14133-00	YG1-0635	26-36	131-84712-00	

Ref No.	New Part No.	Old Part No.	Ref No.	New Part No.	Old Part No.
26-39	131-84721-00		10-27	132-14171-00	H2-0653
26-34	131-84751-00		10-34	132-14173-00	H2-0696
1-15	132-11351-00	H2-0006	10-32	132-14174-00	H2-0651
3- 0-1	132-11400-02	H2-0030	10-30	132-14175-00	H2-0682
3- 1	132-11412-00	H2-0031	10-31	132-14176-00	H2-0683
3- 1-1	132-11412-01	H2-0031-1	10-35	132-14177-00	H2-0684
3- 1-2	132-11412-01	H2-0031-1	10-29	132-14178-00	H2-0693
3- 2	132-11422-01	H2-0032-1	9- 1	132-14411-00	H2-0601
3- 2-1	132-11422-02	H2-0032-2	9- 1-1	132-14411-02	H2-0601-1
3- 3	132-11432-01	H2-0033-1			
			9- 3	132-14412-00	H2-0603
3- 3-1	132-11432-02	H2-0033-2	9- 3-1	132-14412-02	H2-0603-1
3- 4	132-11442-00	H2-0034	9- 2	132-14451-00	H2-0602
3- 4-1	132-11442-01	H2-0034-1	9- 2-1	132-14451-02	H2-0602-1
3-11	132-11511-00	H2-0043	9- 8	132-14454-00	H2-0617
3-12	132-11511-02	H2-0043-2	9- 9	132-14454-01	H2-0617-1
3-13	132-11512-00	H2-0042	9-11	132-14456-00	H2-0616
3-13-1	132-11512-00	H2-0042-1	10-36	132-14486-00	
3-18	132-11515-00	H2-0044	11- 1	132-14613-00	H2-0717
3-18-1	132-11515-01	H2-0044-1			
3-15	132-11541-00	H2-0041	11- 5	132-14713-00	H2-0712
			11- 6	132-14714-00	H2-0710-1
3-15-1	132-11541-00	H2-0041	1- 1	132-15111-01	H2-0501-1
3-16	132-11541-01	H2-0041-1	1- 1-1	132-15111-02	H2-0501-2
3- 9	132-11561-00	H2-0082	1- 2	132-15121-00	H2-0502
3-32	132-11633-00	H2-0017	1- 2-1	132-15121-01	H2-0502-1
3-33	132-11634-00	MF2-0018-1	1-12	132-15351-00	FP-12191.5
3- 5	132-11651-00	H2-0019	1-11	132-15353-00	H2-0545
3- 7	132-11685-00	H2-0025	2-16	132-15361-00	H2-0528
12- 0-1	132-13101-00	H2-0800	1-13	132-15371-00	H2-0522
12-29	132-13144-00	H2-0853			
			5-10	132-15389-00	
12-47	132-13161-00	H2-0822	2- 1	132-15411-00	H2-0504
12-46	132-13166-00	H2-0832	2-13	132-15416-00	H2-0519
12-48	132-13171-00	H2-0823	4-27	132-15417-00	H2-0123
2-15	132-13174-00	H2-0870	2- 2	132-15418-00	H2-0517
12- 2	132-13175-00	H2-0812	2-10	132-15420-00	H2-0505
12- 6	132-13178-00	H2-0810	2- 9	132-15451-00	H2-0516
10-19	132-14131-00	H2-0638	8-15	132-15610-00	H2-0401
10-28	132-14135-00	H2-0652	8-16	132-15613-00	YD3-0405
10- 4	132-14141-10		4-12	132-15631-00	H2-0441
10-26	132-14169-00	H2-0631			

Ref No.	New Part No.	Old Part No.	Ref No.	New Part No.	Old Part No.
8- 7	132-15641-00	H2-0411	5-12	132-17471-00	H2-0261
8- 9	132-15644-00	H2-0430	7- 1	132-18101-00	H2-0303
5-21	132-15651-00	H2-0450	7- 9	132-18111-01	H2-0301
5-22	132-15653-00	H2-0451	7-11	132-18113-00	YD3-0302
8- 3	132-15661-00	H2-0412	7-11-1	132-18113-01	
8-11	132-15664-00	H2-0427	7- 2	132-18123-00	H2-0392
8-12	132-15665-00	H2-0425	7- 3	132-18124-00	H2-0314
8-13	132-15676-00	H2-0426	7- 4	132-18133-00	H2-0327
4-13	132-16105-00	H2-0140	7- 7	132-18137-00	H2-0306
3-25	132-16136-01	H2-0072	6-13	132-18140-00	H2-0315
4-11	132-16181-00	H2-0110	6-15	132-18143-00	H2-0362
4- 0-1	132-16301-00	H2-0100	6-14	132-18177-00	H2-0309
4-20	132-16321-00	H2-0103	6-17	132-18338-00	H2-0330
4-22	132-16333-00	H2-0112	6- 2	132-18511-00	H2-0323
4- 3	132-16342-00	H2-0127	6- 3	132-18512-00	H2-0324
4- 1	132-16344-00	YD3-0121	6-20	132-18533-00	H2-0390
4- 6	132-16346-00	YD3-0126	6-20-1	132-18553-01	H2-0390-1
6-16	132-16346-00	YD3-0126	6-10	132-18561-00	H2-0391
4-21	132-16351-00	H2-0105	15- 1	132-21110-00	H2-1001
4- 8	132-16357-01	H2-0163-1	17-14	132-22310-00	
4-14	132-16369-00	H2-0179	21- 1	132-24110-00	H2-1401
4-17	132-16371-01	H2-0111	21- 7	132-24161-00	H2-1405
5- 2	132-17121-00	H2-0202	21- 8	132-24161-00	
5- 5	132-17131-00	H2-0203	21- 5	132-24171-00	H2-1403
5- 1	132-17141-01	H2-0205	21- 6	132-24172-00	H2-1404
5- 1-1	132-17141-01	H2-0205-1	21-22	132-24311-00	H2-1409A
5-20	132-17211-00	H2-0211	21-21	132-24312-00	H2-1409C
5-20-1	132-17211-01	H2-0211-1	22- 8	132-24319-01	H2-0801
5- 4	132-17216-00	H2-0288	21-23	132-24331-00	H2-1408
5-17	132-17216-00	H2-0288	21- 0-1	132-24500-01	H2-1451
5-16	132-17221-00	H2-0212	21-11	132-24515-00	
5-19	132-17231-00	H2-0213	21-16	132-24518-00	
5-15	132-17241-00	H2-0215	21-13	132-24521-00	
5- 6	132-17411-00	H2-0209	21-12	132-24522-00	
5- 6-1	132-17411-01	H2-0209-1	21-14	132-24523-00	
5- 3	132-17414-00	H2-0291	21-15	132-24524-00	
5-18	132-17414-00	H2-0291	21-17	132-24525-00	
5- 7	132-17417-00	H2-0246	21-20	132-24531-00	
5-14	132-17421-00	H2-0210	21-19	132-24532-00	
5-14-1	132-17421-01	H2-0210-1	23- 6	132-24710-00	H2-1481

Ref No.	New Part No.	Old Part No.	Ref No.	New Part No.	Old Part No.
23- 6A	132-24711-00		13- 6	132-81231-10	H2D-2623
23-10	132-24730-00		14-23	132-81231-10	H2D-2623
23-10-1	132-24731-00		15-17	132-81231-10	H2D-2623
19-10	132-26111-00	H2-1801	13- 7	132-81232-10	H2-2615
19-10-1	132-26111-01	H2-1801-1	15-13	132-81232-10	H2-2615
19-10A	132-26111-10	H2-1801	13- 8	132-81233-10	H2-2616
19-10B	132-26111-20		15-10	132-81233-10	H2-2616
19-10B-1	132-26111-21		13-17	132-81251-10	H2-2608
19-35B	132-26311-00		13-18	132-81252-10	H2-2607
19-35B-1	132-26311-01		13-20	132-81235-10	
19-35A	132-26311-10		13- 1	132-81255-10	H2-2605
19-35	132-26311-20		15- 0-1	132-81400-10	H2-2701
19-35-1	132-26311-21		15- 2	132-81410-10	H2-2702
19-38	132-26312-00	H2-1849	15-20	132-81419-10	H2-2750
19-39	132-26321-00	H2-1850	15- 7	132-81426-10	H2-2721
19-36	132-26335-00	H2-1845	15-22	132-81435-10	
19-36-1	132-26335-10	H2-1845	15- 1	132-81450-10	H2-2710
19-36-2	132-26335-20		15-23	132-81451-10	H2-2608
19-32-1	132-26341-10		15-25	132-81452-10	H2-2713
19-32-2	132-26341-20		28- 7	132-81910-10	H2-2207
18- 1	132-27111-00	H2-1111	28- 8	132-81915-00	H2-1029
18-23	132-27211-00	H2-1730	28- 7A	132-81970-40	
18-19	132-27311-01	H2-1121-1	28- 8A	132-81975-01	
18- 6	132-27411-00	H2-1101	28- 1-1	132-82110-10	
18- 7	132-27411-01		28- 5-1	132-82116-50	
18- 8	132-27412-00		28- 3	132-82131-00	H2-1033
18- 9	132-27414-00		28-19-1	132-82310-10	
18-12	132-27416-00		28-19	132-82310-60	H2-2220
18-11	132-27417-00		28-23	132-82341-00	H2-2222
18-10	132-27422-00		28-24	132-82342-00	
13- 0-1	132-81200-10	H2-2601	28-14-1	132-82510-30	
13- 2	132-81210-10	H2-2602	28-33	132-82540-00	H2-2235
13- 9	132-81211-10	H2-2611	28-22	132-82590-11	H2-2203
13- 3	132-81221-10	H2D-2626	28-22-1	132-82590-30	
15- 3	132-81221-10	H2D-2626	28-36	132-82597-00	
14- 3	132-81221-10	H2D-2626	19-13	132-82620-01	
13- 5	132-81225-10	H2D-2621	19-13A	132-82620-11	
14- 8	132-81225-10	H2D-2621	19-13B	132-82620-21	
13- 4	132-81226-10	H2D-2622	19-13-1	132-82820-00	
14- 7	132-81226-10	H2D-2622	19-13B-1	132-82820-20	

Ref No.	New Part No.	Old Part No.	Ref No.	New Part No.	Old Part No.
19-11	132-82910-00		3-34-2	134-11610-20	L1-0016
19-11B	132-82920-00		3-31	134-11631-00	L1-0015
26- 1-2	132-83510-20		3-31-1	134-11631-10	L1-0015
26- 1-1	132-83510-30		3-31-2	134-11631-20	L1-0015
26- 1-3	132-83510-41	H1-2120-1	10- 0-1	134-14101-00	L1-0600-L
26- 7	132-83539-20		10- 0-2	134-14102-00	L1-0600-R
26- 0-2	132-84300-60	H2-2101C	10-16	134-14112-15	L1-0642
26-18	132-84311-60	H2-2110C	10-17	134-14116-03	
26-19	132-84312-60		10-20	134-14158-00	L1-0636
26-20	132-84314-60	H2-2171C	10-25	134-14168-00	L1-0637
26-23	132-84315-60	H2-2102C	11- 3	134-14611-00	L1-0701
26-21	132-84320-60	H2-2104C	11- 2	134-14612-60	L1-0716
26-27	132-84328-60		11- 4	134-14621-00	L1-0702
26-24	132-84331-60	H2-2151	11- 7	134-14710-02	L1-0703-1
26-28	132-84334-60		11- 7A	134-14710-21	
26-31	132-84335-60	H2-2152	11- 8	134-14720-02	L1-0703-1
26-25	132-84338-60		11- 8A	134-14720-21	
26- 0-4	132-84710-61		6- 0-1	134-18301-00	H2-0320
26-46	132-84711-61		6- 1	134-18541-61	L1-0321
26-47	132-84712-60	CH-2145	16- 2	134-21280-00	H2-1002
26-54	132-84751-61		16-16	134-21784-00	L1-1078
26-55	132-84753-60		20- 0-1	134-23100-00	L1-1300
26-57	132-84754-60		20- 6	134-23124-00	
26-58	132-84756-60		20-10	134-23141-00	
14-12	133-81132-10	H2D-2615	23-10A	134-24730-60	H2-1487
14-11	133-81133-10	H2D-2616	23-10A-1	134-24731-60	
14-30	133-81152-10	H2D-2607	19-24	135-26245-00	YD3-1810
14-28	133-81153-10	H2D-2606	3-22	136-11561-00	YA6-0081
28- 3-1	133-82131-00		2- 7	136-15415-00	YA5-0518
28-22-2	133-82590-01		4-28	136-16347-00	
19-13C	133-82820-00		6- 4	136-18551-00	YA6-0365
19-13C-2	133-82820-20		19-23	136-26241-00	YA6-1804
1-19	134-11111-00	L1-0001	19-28-1	136-26242-00	YA6-1805
1-18	134-11181-01	L1-0003	18- 5	136-27116-00	YA6-1112
1-16	134-11311-00	L1-0004	26-38	136-84714-01	
1-16-1	134-11311-01	L1-0004-1	12-14	137-13125-00	YA6-0843
1-17	134-11321-00	L1-0005	12-23	137-13127-00	YA6-0842
1-17-1	134-11321-01	L1-0005-1	12-37	137-13128-00	YA6-0815
3-34	134-11610-00	L1-0016	12-11	137-13129-00	
3-34-1	134-11610-10	L1-0016	12-18	137-13131-00	DS3-0863

Ref No.	New Part No.	Old Part No.	Ref No.	New Part No.	Old Part No.
12-21	137-13134-00	YA6-0859	19-12A	137-83912-01	A6A-1823
12-22	137-13135-00	YA6-0847	19-19	137-83913-00	YA6-1831
12-32	137-13136-00	YA6-0856	19-14	137-83922-00	YA6-1828
12-28	137-13137-00	YA6-0854	19-14-1	137-83922-01	A6A-1828
12-30	137-13138-00	YA6-0855	26-48	137-84714-60	YA6-2175C
12-33	137-13139-00	YA6-0857	14-19	141-81111-10	YA6-2611
12-26	137-13141-00	YA6-0864	13-10	141-81113-10	
12-25	137-13142-00	YA6-0848	14-22	141-81113-10	YA6-2612
12-31	137-13147-00	YA6-0854	3-21	146-11545-00	YD3-0010
12-12	137-13148-00		17-21	146-22315-00	
12-42	137-13165-00	YA6-0825	18-26	148-27236-00	YD3-1742
12-41	137-13167-00	YA6-0820	18-27	148-27239-00	YD3-1748
12-40	137-13169-00	YA6-0827	25-24	148-27237-00	YD3-1744
12- 4	137-13176-00	YA6-0811	28-13	148-82150-00	YD3-2205
12-44	137-13185-00	YA6-0829	28-13-1	148-82151-00	
12-43	137-13187-00	YA6-0828	19-27	150-26249-00	
8- 8	137-15643-00	YA6-0431	18-22	150-27316-00	DS3-1122
4-18	137-16324-00	YA6-0104	26-10	150-84125-00	
4-23	137-16337-00	YA6-0115	26-22	150-84125-00	
4- 4	137-16341-00		26-61	152-84518-00	DS3-2117
4- 2	137-16343-00	YA6-0122	12-10	156-13110-00	DS3-0861
4- 5	137-16345-00	YA6-0125	12-13	156-13120-00	DS3-0862
4-26	137-16356-00	YA6-0162	12-27	156-13145-00	DS3-0852
4-19	137-16367-00	YA6-0120	12-45	156-13168-00	DS3-0821
3-30, 4-25	137-16377-00	YA6-0117	8-19	156-15618-01	
4-24	137-16378-00	YA6-0118	20-30	156-23411-00	YD3-1321
6- 5	137-18552-00	YA6-0364	20-25	156-23412-00	YD3-1322
22- 2	137-21761-00	YA6-1086	19-22	156-26251-00	
22- 3	137-21763-00	YA6-1087	19-37	156-26261-01	DS3-1881-1
22- 6	137-21767-00	YA6-1091	5- 7-1	164-17427-00	
22- 7	137-21768-01	YA6-1089-1	5- 7-2	164-17427-00	
16-22	137-21782-60	YA6-1079	28-25	166-82370-20	
21-14-1	137-24523-00	YA6-1460	26-56	168-21738-00	
19-28	137-26242-60	YA6-1805-1	21-15-1	168-24524-00	
19-26-1	137-26243-00	YD3-1808	6- 8	174-18544-00	
19-26	137-26243-60		16-17	176-21787-00	
19-25	137-26244-00	YD3-1809	19-35A-1	176-26311-00	
19-29	137-26246-00	YD3-1807	14- 0-1	176-81100-10	
18- 4	137-27115-00	YA6-1113	14- 2	176-81110-10	
19-12	137-83912-00	YA6-1823	14-27	176-81135-10	

Ref No.	New Part No.	Old Part No.	Ref No.	New Part No.	Old Part No.
14- 1	176-81155-10		5- 8	93315-31501	
28- 7-1	176-81910-10		5- 8-1	93315-31501	
19-13C-1	176-82820-00		4-15	93341-22302	H2-0180
19-11A	176-82910-00		5-23	93410-13004	CL-C13
11- 9-1	201-14753-00		8-10	93410-15005	CL-S15
12-34	91608-20010	YA6-0851	25-44	93420-42007	CL-R42
1- 4	91810-03014		6- 9	93430-03014	
1- 3	91810-08016	K10-12-16	7- 8	93430-10016	CL-E10
12-36	93101-10001	S-10215	18- 3	93430-12008	CL-E12
12- 5	93101-10002	S-10227	12-20	93440-08001	
7- 6	93101-12004	S-12-22-5	5- 9	93450-22012	
8-14	93102-15002	SD-15267	5- 9-1	93450-22012	
3-24	93102-20010	SD-20408	3-19	93450-47011	CL-R47
5-26	93102-28021	SD-28447	3-19-1	93450-52010	CL-R52
3-26	93103-28011	SW-28408	20-29	93501-04004	BA-1-4
12-17	93104-04001	SO-493	4- 9	93501-04004	BA-1-4
24-25	93104-07003	SO-7144	20-32	93503-16003	BA-3-16
12-24	93104-14004	SO-14255	4- 7	93505-16006	BA-5-16
25-10	93104-21016		12-39	93505-32002	BA-5-32
24- 9	93106-20001	DD-20357	12-15	93602-04029	YA6-0845
25-45	93106-30004	DD-30428	12-19	93603-12030	YA6-0846-1
24-12	93107-42001	OS-52, 5427	1- 5	93603-14026	KN-3-14
24-26	93210-13017	OR-2, 4-13, 4	12- 3	93603-22028	YA6-0813
3-27	93210-18023	OR-1, 2-17, 5	8-18	93604-18017	YD3-0408
25-12	93210-41041	OR-4-40, 5	3-14	93604-18058	
3-17	93210-41042	OR-3, 1-41, 4	6- 7	93604-23027	KN-4-23
3-17-1	93210-48045	OR-1, 8-48	24- 4	94125-17011	YG1-1601
25-43	93306-00403	B-6004RS	25- 4	94125-17012	YG1-1602
3-10	93306-00502	B-6005	24- 5	94225-17005	YG1-1605
24- 8	93306-20203	B-6202RS	25- 5	94225-17005	YG1-1605
24-14	93306-20203	B-6202RS	24- 6	94325-17004	YG1-1607
3-23	93306-20402	B-6204	25- 6	94325-17004	YG1-1607
3-10-1	93306-20504	B-6205C3	24- 3	94414-17003	YG1-1603
25- 9	93306-30101	B-6301	25- 3	94414-17005	YG1-1603
25-11	93306-30102	B-6301RS	25-53	94504-20098	YG1-1799
5-11	93306-30301	B-6303	25-54	94604-20001	
5-24	93306-30401	B-6304	28-26	94700-00004	SP-B7HZ
3-23-1	93306-30402	B-6304C3			
3-20	93310-11201	H2-0026			
3- 6	93310-41809	H2-0023			



First edition, Dec., '67.

YAMAHA YL1 YL1E
PARTS LIST

(**IBM** New Number)

YAMAHA MOTOR CO.,LTD.

HAMAKITA JAPAN



YAMA
PARTS



YAMAHA MOTOR CO.,LTD.

For private use only, file created by Yamaparts.com **PRINTED IN JAPAN**